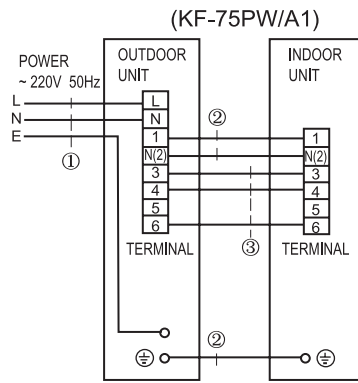
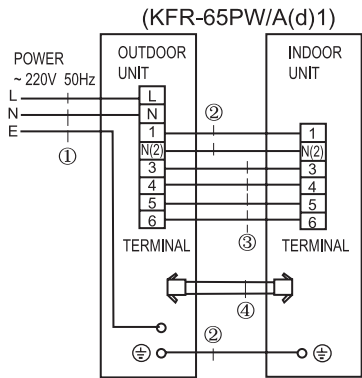


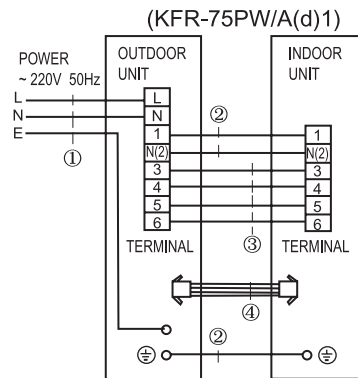
NOTE: ① Power cable: 3X2.5mm²
 ② Connection cord: 3X2.5mm²
 ③ Connection cord: 3X0.75mm²



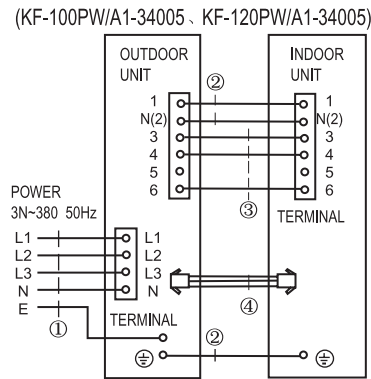
NOTE: ① Power cable: 3X2.5mm²
 ② Connection cord: 3X2.5mm²
 ③ Connection cord: 4X0.75mm²



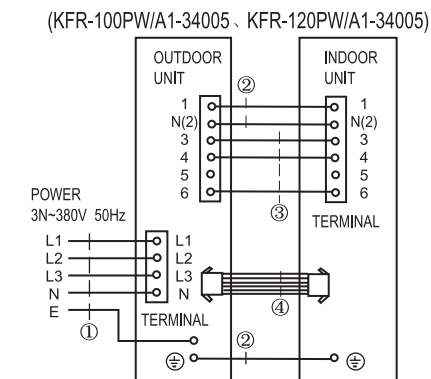
NOTE: ① Power cable: 3X2.5mm² (Heater: 3X4mm²)
 ② Connection cord: 3X2.5mm²
 ③ Connection cord: 4X0.75mm²
 ④ Signal cord: 2X0.75mm²



NOTE: ① Power cable: 3X2.5mm² (Heater: 3X4mm²)
 ② Connection cord: 3X2.5mm²
 ③ Connection cord: 4X0.75mm²
 ④ Signal cord: 4X0.75mm²

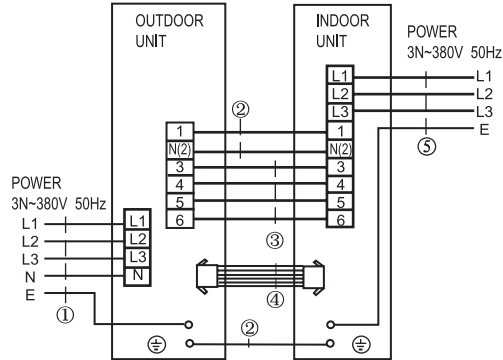


NOTE: ① Power cable: 5X1.5mm²
 ② Connection cord: 3X1.0mm²
 ③ Connection cord: 3X0.75mm²
 ④ Signal cord: 3X0.75mm²



NOTE: ① Power cable: 5X1.5mm²
 ② Connection cord: 3X1.0mm²
 ③ Connection cord: 4X0.75mm²
 ④ Signal cord: 6X0.75mm²

KFR-100PW/Ad1-34005, KFR-120PW/Ad1-34005(Heater)



NOTE: ① Power cable: 5X1.5mm²
 ② Connection cord: 3X1.0mm²
 ③ Connection cord: 4X0.75mm²
 ④ Signal cord: 6X0.75mm²
 ⑤ Power cable: 4X1.5mm²