



Owner's Manual

Original Instructions

Commercial Air Conditioners

Ducted Type Split Air-Conditioner Units(Inverter Series)

Models:

FGR20Pd/DNa-X

FGR25Pd/DNa-X

FGR30Pd/DNa-X

FGR40Pd/D(2)Na-X

Thank you for choosing commercial air conditioners. Please read this Owner's Manual carefully before operation and retain it for future reference.

If you have lost the Owner's Manual, please contact the local agent or visit www.gree.com or send an email to global@cn.gree.com for the electronic version.

GREE ELECTRIC APPLIANCES,INC.OF ZHUHAI

To Users

Thank you for selecting Gree product. Please read this instruction manual carefully before installing and using the product, so as to master and correctly use the product. In order to guide you to correctly install and use our product and achieve expected operating effect, we hereby instruct as below:

- (1) This appliance can be used by children aged from 8 years and above and persons with reduced physical, sensory or mental capabilities or lack of experience and knowledge if they have been given supervision or instruction concerning use of the appliance in a safe way and understand the hazards involved. Children shall not play with the appliance. Cleaning and user maintenance shall not be made by children without supervision.
- (2) In order to ensure reliability of product, the product may consume some power under stand-by status for maintaining normal communication of system and preheating refrigerant and lubricant. If the product is not to be used for long, cut off the power supply; please energize and preheat the unit in advance before reusing it.
- (3) Please properly select the model according to actual using environment, otherwise it may impact the using convenience.
- (4) This product can't be installed at corrosive, inflammable or explosive environment or the place with special requirements, such as kitchen. Otherwise, it will affect the normal operation or shorten the service life of the unit, or even cause fire hazard or serious injury. As for above special places, please adopt special air conditioner with anti-corrosive or anti-explosion function.
- (5) If the product needs to be installed, moved or maintained, please contact our designated dealer or local service center for professional support. Users should not disassemble or maintain the unit by themselves, otherwise it may cause relative damage, and our company will bear no responsibilities.
- (6) All the illustrations and information in the instruction manual are only for reference. In order to make the product better, we will continuously conduct improvement and innovation. If there is adjustment in the product, please subject to actual product.

Exception Clauses

Manufacturer will bear no responsibilities when personal injury or property loss is caused by the following reasons:

- (1) Damage the product due to improper use or misuse of the product.
- (2) Alter, change, maintain or use the product with other equipment without abiding by the instruction manual of manufacturer.
- (3) After verification, the defect of product is directly caused by corrosive gas.
- (4) After verification, defects are due to improper operation during transportation of product.
- (5) Operate, repair, maintain the unit without abiding by instruction manual or related regulations.
- (6) After verification, the problem or dispute is caused by the quality specification or performance of parts and components that produced by other manufacturers.
- (7) The damage is caused by natural calamities, bad using environment or force majeure.

CONTENTS

1 Safety Precautions	1
1.1 Safety Notices (Please be sure to abide)	1
1.2 Power Supply Demand	1
2 Installation of Indoor Unit	2
2.1 Selection Proper Installation Location	2
2.2 Outline Dimension and Installation Spots	2
2.3 Drainage Pipe Installation and Drainage System Testing	6
2.4 Installation of Air Duct	8
2.5 Indoor unit static pressure notch adjustment	9
2.6 Installation of Wired Controller	10
2.7 Wiring Work	10
3 Installation of Outdoor Unit	12
3.1 Dimension of Outdoor Unit and Mounting Hole	13
3.2 Installation Space Requirement	14
3.3 Refrigerant Pipe Connection	14
3.4 Vacuum Pumping, Refrigerant Adding	15
3.5 Electric Wiring	16
4 Check Items after Installation and Test Operation	19
4.1 Check Items after Installation	19
4.2 Test Operation and Debugging	20
5 Common Malfunctions and Troubleshooting	28
6 Error Indication	30
7 Maintenance and Care	34
7.1 Outdoor Heat Exchanger	34
7.2 Drain Pipe	34
7.3 Notice before Seasonal Use.....	34

7.4 Maintenance after Seasonal Use	34
7.5 Parts Replacement	35
8 After-sales Service.....	35

1 Safety Precautions

1.1 Safety Notices (Please be sure to abide)



WARNING: If not abide strictly, it may cause severe damage to the unit or the people.



NOTE: If not abide strictly, it may cause slight or medium damage to the unit or the people.



This sign indicates that the operation must be prohibited. Improper operation may cause severe damage or death to people.



This sign indicates that the items must be observed. Improper operation may cause damage to people or property.



This marking indicates that this product should not be disposed with other household wastes throughout the EU. To prevent possible harm to the environment or human health from uncontrolled waste disposal, recycle it responsibly to promote the sustainable reuse of material resources. To return your used device, please use the return and collection systems or contact the retailer where the product was purchased. They can take this product for environmental safe recycling.



WARNING!

This product can't be installed at corrosive , inflammable or explosive environment or the place with special requirements, such as kitchen or washing room. Otherwise, it will affect the normal operation or shorten the service life of the unit, or even cause fire hazard or serious injury. As for above special places, please adopt special air conditioner with anti-corrosive or anti-explosion function.

1.2 Power Supply Demand

- (1) Provided sufficient capacity of power supply and the cross area of electrical wires.
- (2) Confirm the reliable earth connection, and the earth wire should be connected to special device of the building. Never connect the earth wire to the gas pipe, water pipe, the earth wires of telephone and lighting rod.

- (3) Make sure that the wiring is done by the qualified technicians according to the relevant regulations.
- (4) In fixed circuit, there must be electricity leakage protection switch of enough power capacity and air switch with enough space.
- (5) An all-pole disconnection device which has at least 3mm separation distance in all pole and a residual current device(RCD)with the rating of above 10mA shall be incorporated in the fixed wiring according to the national rule.
- (6) The appliance shall be installed in accordance with national wiring regulations.
- (7) The temperature of refrigerant circuit will be high, please keep the interconnection cable away from the copper tube.

2 Installation of Indoor Unit

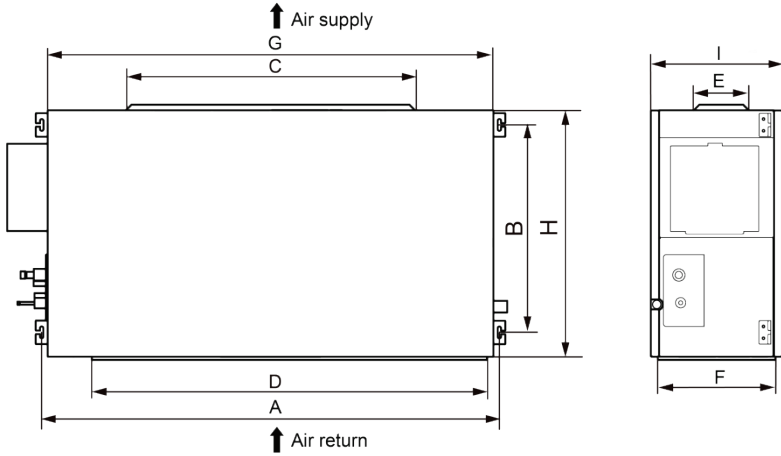
2.1 Selection Proper Installation Location

- (1) Avoid the direct sunshine.
- (2) Make sure the suspension bracket is strong enough to withstand the unit's weight.
- (3) Select a place for easily connection of the drain hose.
- (4) The inlet and outlet ports should not be obstructed so that the indoor air circulates well.
- (5) Make sure the convenient connect of the connection pipes.
- (6) Selection a location that is far away from the combustible or explosive material and gas.
- (7) Selection a location that is far away from the cankerous material, fog, dusk or moist.

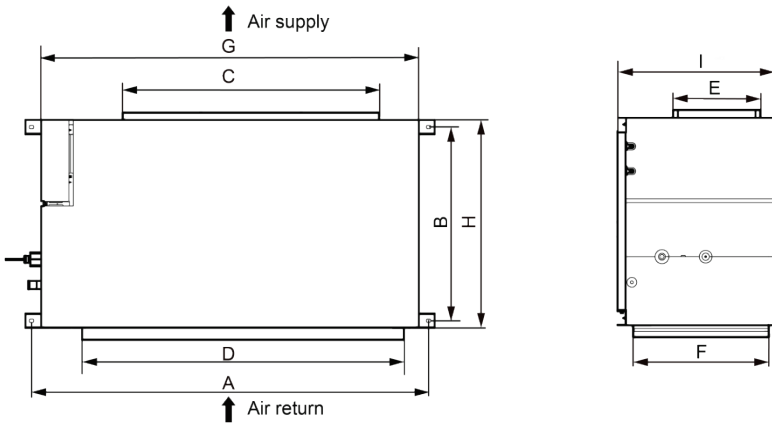
2.2 Outline Dimension and Installation Spots

Equip with an inspection hatch after lifting the unit. For the convenience of maintenance, the service port should be on one side of the electric box and below unit's lower level.

(1) Below are the outline dimension applicable to indoor units:



a.20/25/30kW



b. 40kW

Fig.1

Ducted Type Split Air-Conditioner Units(Inverter Series)

Below are dimensions of A,B,C, etc. for different models:

Unit: mm

Model	A	B	Size of air supply		Size of air return		G	H	I
			C	E	D	F			
FGR20Pd/DNa-X(I)	1355	632	992	192	1150	326	1315	760	385
FGR25Pd/DNa-X(I)	1563	707	992	192	1350	402	1520	840	450
FGR30Pd/DNa-X(I)	1563	707	962	262	1350	402	1520	840	450
FGR40Pd/D(2)Na-X(I)	1730	760	1054	359	1450	557	1680	900	650

(2) Drill bolt holes and install bolts.

- 1) Stick the reference cardboard on the installation position; drill 4 holes according to the hole site on the cardboard as shown in Fig 2; diameter of drilling hole is according to the diameter of expansion bolt and the depth is 60-70mm, as shown in Fig 3.

Unit: mm

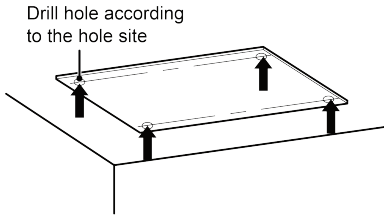


Fig.2

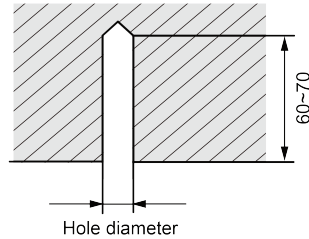


Fig.3

- 2) Insert the M10 expansion bolt into the hole and then knock the nail into the bolt, as shown in Fig 4.



NOTES!

The length of bolt depends on the installation height of the unit, bolts are field supplied.

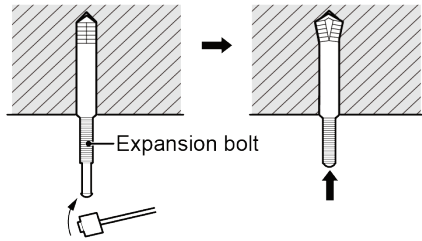


Fig.4

- (3) Install the indoor unit temporarily.

Assemble suspension bolt on the expansion bolt, attach the hanger bracket to the suspension bolt. Be sure to fix it securely by using a nut and washer from upper and lower sides of the hanger bracket. The washer fixing plate will prevent the washer from falling.

- (4) The usage of paper pattern.

Refer to paper pattern of installation for ceiling opening dimension. The center of ceiling opening is indicated on the paper pattern. Fix the paper pattern to the unit with 4 screws and fix the corners of the waterspout at the drainage pipe by screws.

- (5) When the indoor unit is installed, the horizontal detection for the complete unit must be performed. The unit should be placed horizontally from front to rear side, while there should be 1-2% slope along the drainage direction.

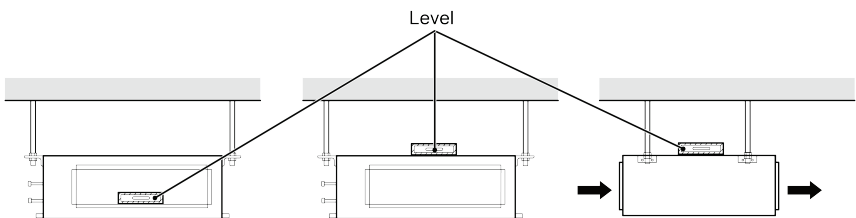


Fig.5

- (6) Remove the washer locating plate and then tighten the nut on it.

- (7) Remove the paper pattern.

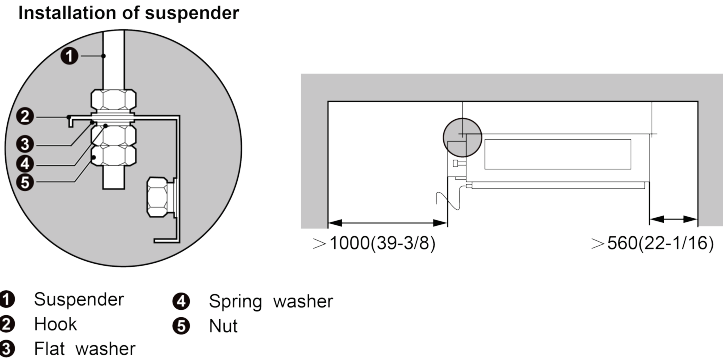


Fig.6

2.3 Drainage Pipe Installation and Drainage System Testing

2.3.1 Notice for Installation of Drain Pipe

- (1) The drainage pipe should be short and the gradient downwards should be at least 1%~2% in order to drain condensation water smoothly.
- (2) The diameter of drainage hose should be bigger or equal to the diameter of drainage pipe joint.
- (3) Install drainage pipe according to the following fig and arrange insulation to the drainage pipe. Improper installation may lead to water leakage and damp the furniture and other things in the room.
- (4) You can buy normal hard PVC pipe used as the drainage pipe. During connection, insert the end of PVC pipe into the drainage hole and then tighten it with drainage hole and wire binder. Can't connect the drainage hole and drainage hole with glue.
- (5) When the drainage pipelines are used for several units, the position of pipeline should be about 100mm lower than the drainage port of each unit. In this case, thicker pipes should be applied.

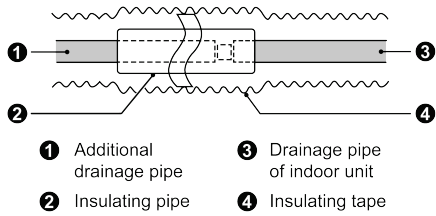


Fig.7

2.3.2 Drainage Pipe Installation

For easy drainage of the condensation water, the drainage pipe should be installed with a downward gradient. To avoid the condensation, the connection pipe joint should be insulated with thermal insulation material. A water seal should be employed as shown in Fig.8 and the height of the water seal could be determined by the pressure of the drain hose.

Drain hose is in negative pressure state: $A = B \geq P/10 + 20$ (mm).

Drain hose is in positive pressure state: $A \geq 30\text{mm}$, $B \geq P/10 + 20$ (mm).

NOTE: P is the absolute pressure of the drain hose position, Pa.

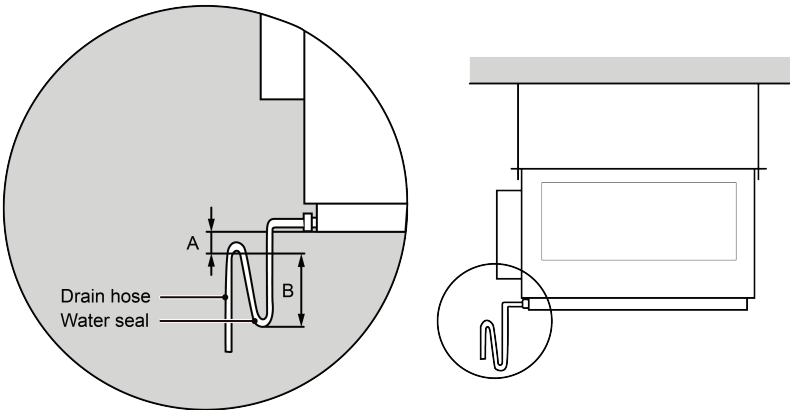


Fig.8

2.3.3 Test of Drainage System

- (1) Inject approximately 1L purified water to drain pan from air vent, ensure that not to splash the water over the electrical components (e.g. water pump. etc.).
- (2) During the test, please carefully check the drainage joint, make sure no any leakage occur.
- (3) It is strongly recommend to do the drain test before ceiling decoration.

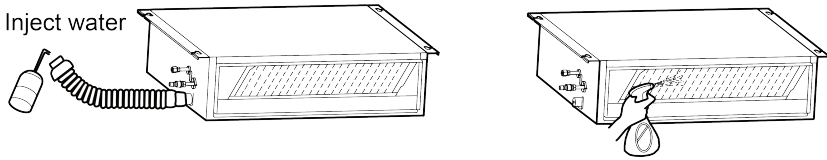


Fig.9

2.4 Installation of Air Duct

NOTES!

- ① There should be insulating layer on air-out duct, return-air duct and fresh air duct to avoid heat loss and moisture. Adhere a nail on the air duct and then add thermal sponge with a layer of tin. Fasten it with a nail cover and then seal the junction with tin tapes. You can also use other materials that have good insulation quality.
- ② Each air-out duct and return-air duct should be fixed on a pre-made board with iron frame. The junction of air duct should be well-sealed in order to prevent air leakage.
- ③ The design and construction of air duct should comply with national requirements.
- ④ The edge of return-air duct is suggested to be more than 150mm away from the wall. Add a filter to the return-air opening.
- ⑤ Please consider noise-damping and vibration damping for the design and construction of air duct. Besides, noise source must be away from people.

For instance, do not have the return-air opening installed on top of the user (offices, rest area, etc.).

2.4.1 Installation of Air-out Duct

Installation of the rectangular duct.

- ① Hanger rod
- ② Return air duct
- ③ Canvas duct
- ④ Return air inlet
- ⑤ Static pressure
- ⑥ Main supply air duct
- ⑦ Supply air outlet

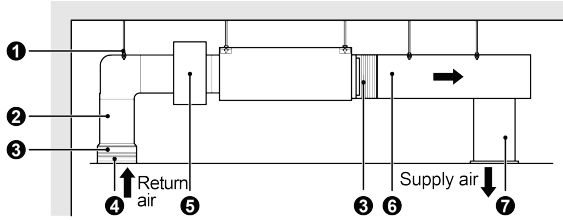


Fig.10

2.5 Indoor unit static pressure notch adjustment

These can set different static pressure notch by the wired controller.

Please refer to the owner's manual or wired controller for the setting in details. Different static pressure notch is for different static pressure. The corresponding relationship is as below:

Static pressure notch	Static pressure(pa)
01	0
02	30
03	60
04	90
05(Defaulted)	120
06	150
07	180
08	210
09	250

2.6 Installation of Wired Controller

Please refer to User Manual of Wired Controller for the installation details.



NOTES!

When installation is finished, the unit must be tested and debugged before operation. Please refer to Instruction Manual of ODU for auto addressing and debugging details.

2.7 Wiring Work



WARNING!

Before obtaining access to terminals, all supply circuits must be disconnected.

NOTICE
(1) Units must be earthed securely, or it may cause electric shock.
(2) Please carefully read the wiring diagram before carry out the wiring work, incorrect wiring could cause malfunction or even damage the unit.
(3) The unit should be powered by independent circuit and specific socket.
(4) The wiring should be in accordance with related regulations in order to ensure the units reliable running.
(5) Install circuit breaker for branch circuit according to related regulations and electrical standards.
(6) Keep cable away from refrigerant pipings, compressor and fan motor.
(7) The communication wires should be separated from power cord and connection wire between indoor unit.
(8) Adjust the static pressure via wired controller according to site circumstance.

2.7.1 Connection of Wire and Patch Board Terminal

(1) The connection of wire (as shown in fig.13)

- 1) Strip about 25mm insulation of the wire end by stripping and cutting tool.
- 2) Remove the wiring screws on the terminal board.

- 3) Shape the tail of wire into ring by needle nose plier, and keep the gauge of ring in accordance with screw.
 - 4) Use the screwdriver for tightening the terminal.
- (2) The connection of stranded wire (as shown in fig.14)
- 1) Strip about 10mm insulation of the end of stranded wire by stripping and cutting tool.
 - 2) Loosen the wiring screws on terminal board.
 - 3) Insert the wire into the ring tongue terminal and tighten by crimping tool.
 - 4) Use the screwdriver for tightening the terminal.

Unit:mm

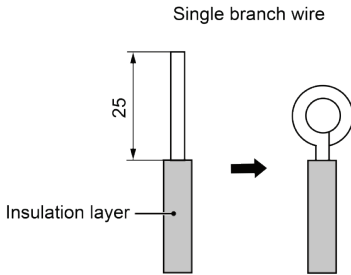


Fig.13

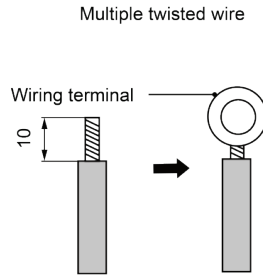


Fig.14

2.7.2 Connect Communication Wire of Wired Controller

- (1) Open electric box cover of indoor unit.
- (2) Let the communication wire go through the rubber ring.
- (3) Connect the communication wire to terminal H1 and H2 of indoor 4-bit wiring board.
- (4) Fix the communication wire with wire clip on the electric box.
- (5) Wiring instructions of remote receiving light board and wired controller:

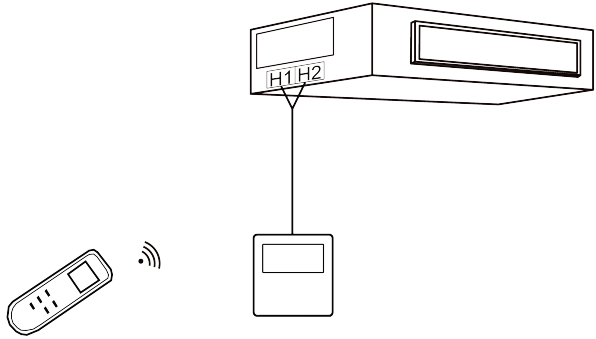


Fig.15

2.7.3 Illuminate for Connection of Wired Controller and Indoor Units Network

- (1) Communication wire of indoor unit and outdoor unit (or indoor unit) is connected to D1, D2.
- (2) Wired controller is connected to H1, H2.
- (3) One indoor unit can connect two wired controllers that must be set as master one and slave one.

3 Installation of Outdoor Unit

NOTES!

Graphics here are only for reference. Please refer to actual products. Unspecified dimensions are all in mm.

3.1 Dimension of Outdoor Unit and Mounting Hole

Unit Outline and Installation Dimension:

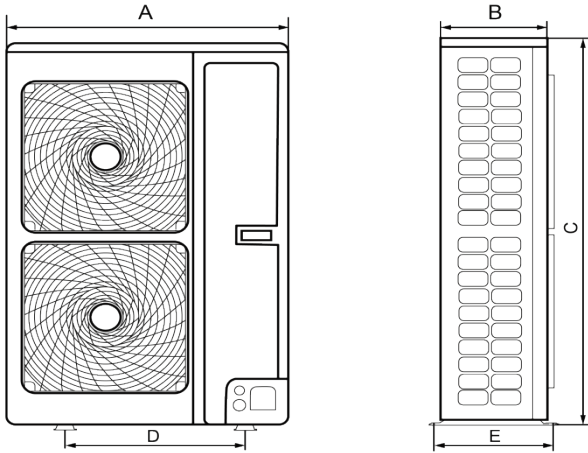


Fig.16

Unit: mm

Model	A	B	C	D	E
FGR20Pd/DNa-X(O)	940	320	1430	632	350
FGR25Pd/DNa-X(O)	940	460	1615	610	486
FGR30Pd/DNa-X(O)	940	460	1615	610	486

3.2 Installation Space Requirement

If all sides of the ODU (including the top) are surrounded by walls, process according to the following requirements for installation space:

Unit:mm

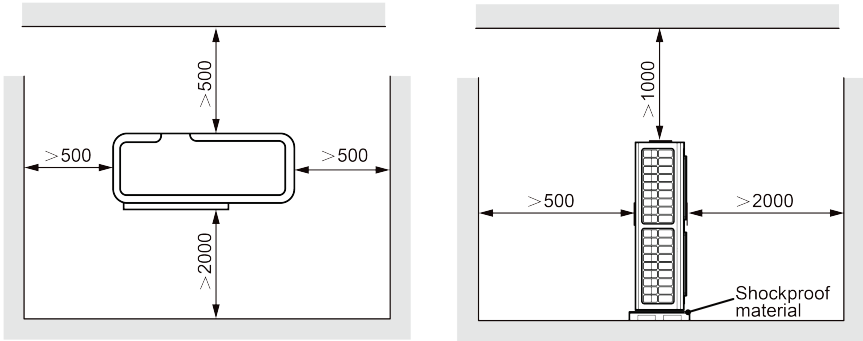


Fig.17

3.3 Refrigerant Pipe Connection

NOTE: Do not loosen the cap of the pipes when connecting the pipes between the indoor unit and the outdoor unit. Connecting the pipes as soon as possible after loosening the cap of the pipes to avoid the entering of water and dusk. A metal pipe should be utilized if a pipe should be installed through a wall.

The connection of the pipes should confirm to the following principles:

Make sure to lessen the length of connecting pipe, the height difference between the indoor and outdoor unit, and the number of bends, and enlarge the diameter of bends.

The permitted maximum value of each case:

Height difference between the indoor and outdoor unit	<30m
Number of bends	<12
Length of connecting pipes	<70m

The pipe meld type could be employed for the connection of the pipes between the indoor and outdoor units.

The pipe joint should be tightly connected when a pipe joint is employed between two pipes. It is better to use only one connecting pipe if the distance is not far.

The pipes should not be shriveled when the pipes are connecting. The bend diameter should be longer than 200 millimeter. The connecting pipes should not be extended or curved frequently and the curving process should not be larger than 3 times in the same bending position.

During engineering installation, the connection pipe inside the unit must be wrapped by insulation sleeve.

3.4 Vacuum Pumping, Refrigerant Adding

3.4.1 Vacuum Pumping

- (1) Outdoor unit has been charged with refrigerant before delivery. Field-installed connection pipe needs to be charged with additional refrigerant.
- (2) Confirm whether outdoor liquid and gas valves are closed.
- (3) Use vacuum pump to withdraw the air inside indoor unit and connection pipe from the outdoor valve, as shown below.

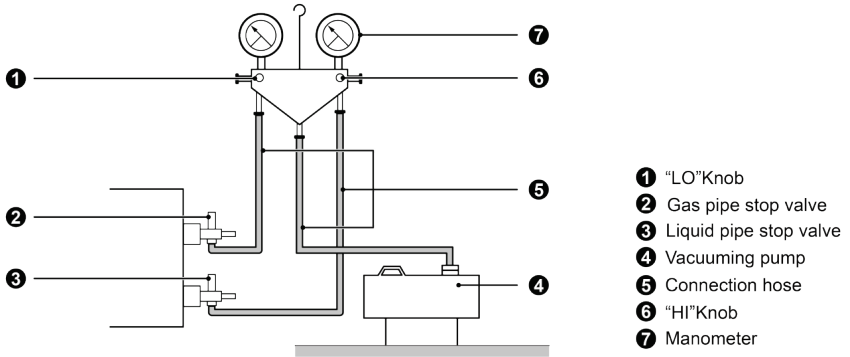


Fig.18

3.4.2 Refrigerant Adding

- (1) Length of connection pipe is decided on site. Therefore the amount of additional refrigerant shall be decided on site according to the dimension and length of field-installed liquid pipe.
- (2) Record the amount of additional refrigerant for convenience of after-sales service.

(3) Calculation of the amount of additional refrigerant:

Quantity of additional refrigerant per meter for liquid pipe (kg/m)	
Φ12.7mm	Φ9.52mm
0.11	0.054

3.5 Electric Wiring

3.5.1 Notices for Wiring

- (1) Install units according to national wiring codes.
- (2) Use air conditioner specialized power supply and make sure that it is consistent with system's rated voltage.
- (3) Do not pull the power cord with force.
- (4) All electrical installation must be performed by qualified technicians in accordance with local laws, regulations and this user manual.
- (5) Caliber of the power cord must be large enough. A damaged power cord or connection wire must be replaced by specialized electrical cords.
- (6) If the supply cord is damaged, it must be replaced by the manufacturer or its service agent or a similarly qualified person in order to avoid a hazard.
- (7) A circuit breaker having a contact separation of at least 3mm in all poles should be fixed in fixed wiring.
- (8) For the wiring of power cord, please refer to the wiring instruction label on the unit.

Connect the unit to specialized grounding device and make sure it is securely grounded. It's a must to install air switch and current circuit breaker that can cut off the power of the entire system. The circuit breaker should include magnetic trip function and thermal trip function so that system can be protected from short circuit and overload.

Grounding Requirements:

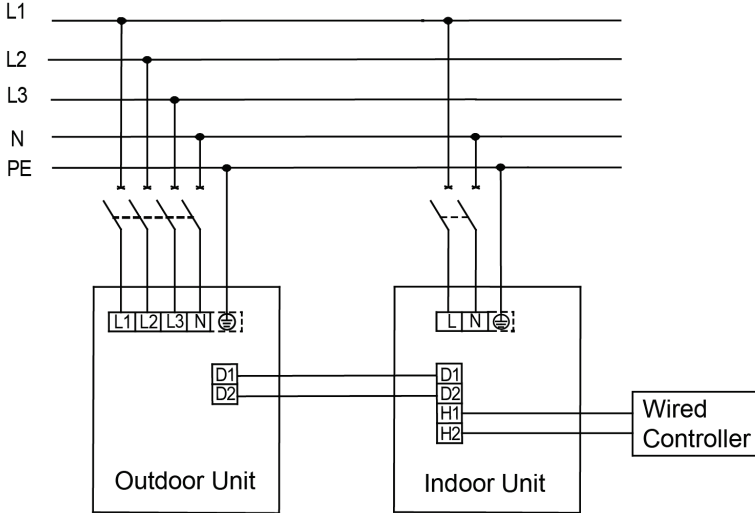
- (1) Air conditioner belongs to class I electrical appliance, so it must be securely grounded.
- (2) The yellow-green wire inside the unit is a ground wire. Do not cut it off or secure it with tapping screws, otherwise it will lead to electric shock.
- (3) Power supply must include secure grounding terminal. Do not connect the ground wire to the following:

- ① Water pipe; ② Gas pipe; ③ Drain pipe; ④ Other places that are deemed as not secure by professional technicians.

3.5.2 Wiring Diagram

1) Connection of power cord and communication wire.

Separate power supply for IDU and ODU.



FGR20Pd/DNa-X ,FGR25Pd/DNa-X ,FGR30Pd/DNa-X

Fig.19

Ducted Type Split Air-Conditioner Units(Inverter Series)

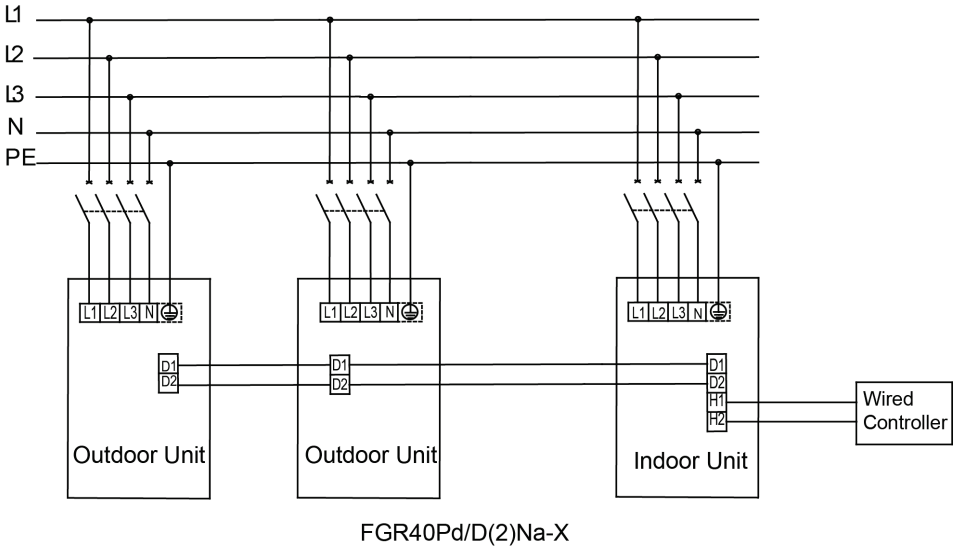


Fig.20

2) Connection of power cord and communication wire for IDU and ODU.

Selection of circuit breaker and power cord.

Model	Power supply	Circuit breaker capacity (A)	Number of ground wire × Min sectional area (mm ²)	Number of power cord × Min sectional area (mm ²)
FGR20Pd/DNa-X (O)	380-415V 3N~ 50/60Hz	20	1×2.5	4×2.5
FGR20Pd/DNa-X (I)	220-240V ~ 50/60Hz	10	1×1.5	2×1.5
FGR25Pd/DNa-X (O)	380-415V 3N~ 50/60Hz	25	1×2.5	4×2.5
FGR25Pd/DNa-X (I)	220-240V ~ 50/60Hz	10	1×1.5	2×1.5
FGR30Pd/DNa-X (O)	380-415V 3N~ 50/60Hz	32	1×4.0	4×4.0
FGR30Pd/DNa-X (I)	220-240V ~ 50/60Hz	10	1×1.5	2×1.5
FGR40Pd/D(2)Na-X(I)	380-415V 3N~ 50/60Hz	10	1×1.5	4×1.5



NOTES!

- ① Selection of circuit breaker and power cord in the above table is based upon unit's maximum power (maximum current).
- ② Specification of power cord is based on the working condition where ambient temperature is 40°C and multi-core copper cable (working temperature is 90°C, e.g. power cable with YJV cross-linked copper, insulated PE and PVC sheath) is lying on the surface of slot. If working condition changes, please adjust the specification according to national standard.
- ③ Specification of circuit breaker is based on the working condition where ambient temperature of circuit breaker is 40°C. If working condition changes, please adjust the specification according to national standard.

4 Check Items after Installation and Test Operation

4.1 Check Items after Installation

Check items	Possible conditions due to improper installation.	Check
Each part of the unit is installed securely?	Unit may drop, shake or emit noise.	
Gas leakage test is taken or not?	Insufficient cooling (heating) capacity.	
Unit gets proper thermal insulation or not?	There may be condensation and dripping.	
Drainage is smooth or not?	There may be condensation and dripping.	
Is the voltage in accordance with the rated voltage specified on the nameplate?	Unit may have malfunction or components may get damaged.	
is the electric wiring and pipe connection installed correctly?	Unit may have malfunction or components may get damaged.	
Unit is securely grounded or not?	Electrical leakage.	
Power cord meets the required specification?	Unit may have malfunction or components may get damaged.	

Check items	Possible conditions due to improper installation.	Check
Is the air inlet/outlet blocked?	Insufficient cooling (heating) capacity.	
Length of refrigerant pipe and the charging amount of refrigerant are recorded or not?	The refrigerant charging amount is not accurate.	
Binding pieces on compressor feet are removed or not?	Compressor may get damaged.	

4.2 Test Operation and Debugging



NOTES!

- ① After finishing the first installation or replacing the main board of outdoor unit, it is necessary to perform test operation and debugging. Otherwise, unit won't be able to work.
- ② Test operation and debugging must be performed by professional technicians or under the guidance of professional technicians.

4.2.1 Prepare The Test Operation and Debugging

- (1) Do not connect power until all installation work is finished.
- (2) All control circuits and wires are correctly and securely connected.
- (3) Check whether the fixing loops for compressor foots are removed.
- (4) All small pieces, especially metal chips, thread ends and forceps holder, must be removed from the unit.
- (5) Check whether unit's appearance and pipeline system has been damaged during transportation.
- (6) Calculate the quantity of refrigerant that needs to be added according to the pipe length. Pre-charge the refrigerant. In case that the required charging quantity is not reached while refrigerant can't be added, record the quantity of refrigerant that still needs to add and complement the quantity during test operation. For details of adding refrigerant during test operation, see below.
- (7) After refrigerant is added, make sure valves of outdoor unit are completely open.

- (8) For the convenience of troubleshooting during debugging, unit shall be connected to a PC with applicable debugging software. Make sure unit's real-time data can be checked through this computer. The installation and connection of debugging software can be found in the Service Manual.
- (9) Before test operation, make sure unit is power on and compressor has been preheated for more than 8 hours. Touch the unit to check whether it's normally preheated. If yes, start test operation. Otherwise, compressor might be damaged.
- (10) If the LED digital tube on main board displays, then input the startup password. For operation details, please see the instructions for the function of startup password.

4.2.2 Test Operation and Debugging

Once the unit is energized and turned on for the first time, the display tube of outdoor unit displays "A0", which indicates debugging standby status. At this time, hold SW3 button successively for 5s on the main module to enter into the automatic debugging, and then the engineering debugging will perform according to the set procedures. Step3(conformation of outdoor unit' quantity) and step4(conformation of indoor unit' quantity) should be confirmed manually by pressing "SW3", while other procedures will be performed automatically. Once the debugging for each step is finished, "oC" will be displayed; once all engineering debugging are finished, "oF" will be displayed, which indicates the unit is under standby status.

Buttons and digital display tube on the motherboard location:

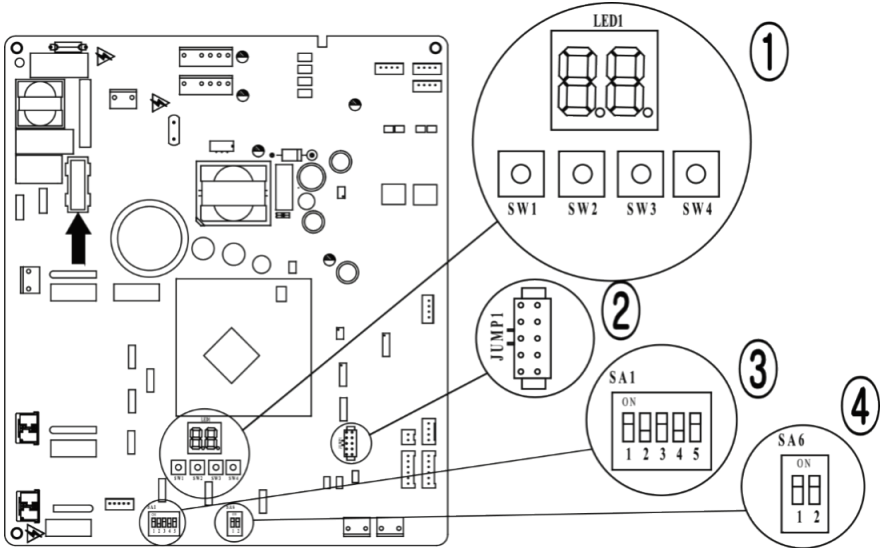


Fig.21

Instruction:

- ① Indicator of main board (digital display tube) “LED1” and four button: “SW1”, “SW2”, “SW3” and “SW4”.

Key No.	SW1	SW2	SW3	SW4
Function	Up	Down	OK	Back

- ② Jumper cap of the unit “JUMP1”, jumper cap No. varies from different type.
- ③ DIP switch “SA1”, DIP switch varies from different cooling capacity, before leaving the factory, DIP switch is set for different models and fixed with glue.
- ④ The main control function DIP switch “SA6” is used to set master module and subsidiary module, the defaulted factory setting is the main module. As the fig is shown, dialing to “ON” side represents “0” and dialing to the figure side represents “1”, the defaulted setting for the unit is “00”. For the system with two outdoor units, one of them shall be set as the main module, namely, dial “SA6” to “00”, then set the other unit as subsidiary module, namely, dial the “SA6” to “10”.

Function	SA6	
	1	2
Master module	0	0
Subsidiary module	1	0



4.2.2.1 Basic Operation of Project Debugging

- (1) Start project debugging.

Press “SW3” button consecutively in the master module for over 5s to enter auto debugging.

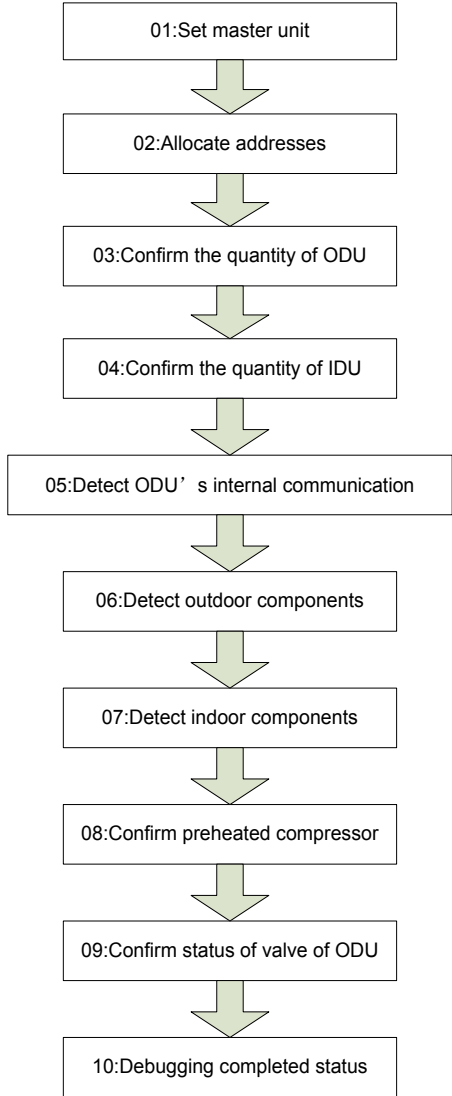
- (2) Exit project debugging.

After entering project debugging, press “SW3” button consecutively in the master module for over 5s to exit the debugging.

- (3) Complete project debugging.

After entering project debugging and completing step “04”, press “SW2” and “SW3” button consecutively in the master module for over 5s to exit the debugging, then the system can operate normally.

Flow-process diagram of debugging:



4.2.2.2 Debugging Process

Debugging procedure for test run, display instruction for indicator on main board of outdoor unit and operation method are as below:

Description of each stage of debugging progress			
—	Debugging code		Instruction for Code and Operating Method
Progress	LED		
	Display code	Display status	
Start	A0	Always ON	No debugged yeat. Press "SW3" button consecutively in the master module for over 5s to enter auto debugging.
01_Master unit setting	01/CC	Display repeatedly	The system has no master unit. Debugging can't be continued, all buttons are invalid, disconnect the power to reset the correct "SA6" DIP.
	01/CF	Display repeatedly	The system has two or more master units. Debugging can't be continued, all buttons are invalid, disconnect the power to reset the correct "SA6" DIP.
	01/oC	Display repeatedly	The system has only one master unit. After displaying once circularly, the system will enter the next step automatically.
02_Address allocation	02	Blink	The system is allocating address, which might takes 10s.
	02/L7	Display repeatedly	No master indoor unit. It will display for 1min continuously. The user can set master through debugging the software within 1min. If no master unit is set manually within 1min, the system will set the indoor unit with the smallest IP address automatically as the master indoor unit.
	02/oC	Display repeatedly	Address allocation of the system is complete with master indoor unit. After displaying once circularly, the system will enter the next step automatically.
03_Confirm quantity of outdoor units	03/ quantity of modules in the system	Display repeatedly	Confirmation of quantity of modules in the system. To differentiate from the debugging step, the QTY of module will display only 1-digit on the right.
	03/oC	Display repeatedly	After 10S, all the nixie tubes of modules will display "03" and "oC", after displaying once circularly, the system will enter the next step automatically.

Ducted Type Split Air-Conditioner Units(Inverter Series)

Description of each stage of debugging progress			
—	Debugging code		Instruction for Code and Operating Method
Progress	LED		
	Display code	Display status	
04_Confirm quantity of indoor units	04/Cb	Display repeatedly	The quantity of indoor unit is more than 1. The system shall not connect more than 1 indoor unit, after inspection, please redebug for confirmation.
	04/oC	Display repeatedly	The quantity of indoor unit is 1. After confirming the quantity of indoor unit, it will enter the next step 2s later.
05_ Internal communication of outdoor unit	05/C2	Display repeatedly	Communication error between master control and compressor drive. Please check the connection between the main board of outdoor unit and communication cord of drive board, after eliminating the errors, enter the next step. If the ODU should be powered off for troubleshooting, after re-energizing the unit, please conduct debugging from the above 01 step.
	05/oC	Display repeatedly	Communication between the master control of outdoor unit and drive is normal. After displaying once circularly, the system will enter the next step automatically.
06_ Component detection of outdoor unit	06/ Corresponding error code	Display repeatedly	Component error of outdoor unit. If cooling only unit displays "06", "bE", "06" and "b2" circularly, please refer to "system cooling and heating function setting" and set corresponding function item of unit to "nC". After eliminating all the errors, enter the next step automatically, if the ODU should be powered off for troubleshooting, after re-energizing the unit, please conduct debugging from the above 01 step.
	06/oC	Display repeatedly	No component error of outdoor unit. After displaying for 10s circularly, the system will enter the next step automatically.

Ducted Type Split Air-Conditioner Units(Inverter Series)

Description of each stage of debugging progress			
—	Debugging code		Instruction for Code and Operating Method
Progress	LED		
	Display code	Display status	
07_ Component inspection of indoor unit	07/ Corresponding error code	Display repeatedly	Component error of indoor unit. After eliminating all the errors, enter the next step automatically, if the ODU should be powered off for troubleshooting, after re-energizing the unit, please conduct debugging from the above 01 step.
	07/oC	Display repeatedly	No component error of indoor unit. After displaying for 5s circularly, the system will enter the next step automatically.
08_ Preheat confirmation of compressor	08/oC	Display repeatedly	After displaying for 2s circularly, the system will enter the next step automatically.
09_ Confirmation of valve of outdoor unit	09/oF	Display repeatedly	Standby status, ready to start.
	09/on	Display repeatedly	The system has started.
	09/U6	Display repeatedly Display repeatedly	Malfunction shutdown. The nixie tube of faulted module will display "09" and "U6" repeatedly and the nixie tube of other modules will display "09" and "J0". In canse malfunction occurd, please check if the valve is opened and if the connection pipes among different modules are correctly connected.
	09/oC	Display repeatedly	Confirmation of valve status. All modules are halted normally, nixie tubes of all modules will display once circularly.
10_ Debugging completed	01/oF	Display repeatedly	Debugging is completed, the system is in standby status.

5 Common Malfunctions and Troubleshooting



WARNING!

- ① If there is abnormal condition (e.g. unpleasant smell), turn unit off and disconnect power immediately. Then contact Gree authorized service center. If unit continues operation despite the abnormal condition, it may get damaged and lead to electric shock or fire hazard.
- ② Do not repair the air conditioner by yourself. Improper maintenance may lead electric shock or fire hazard. Please contact Gree authorized service center for maintenance.
- ③ Please check the items below before calling for maintenance.

Ducted Type Split Air-Conditioner Units(Inverter Series)

Problems	Causes	What to do
Unit doesn't work.	Fuse or circuit breaker is cut off.	Replace fuse or reset the circuit breaker.
	Power failure.	Restart unit when power is restored.
	Power is not connected.	Connect the power.
	Remote controller's power is not enough.	Replace new battery.
	Remote controller is out of the control range.	Control range is within 8m.
Unit runs but stops immediately.	Air inlet or air outlet of indoor and outdoor units is blocked.	Clear obstructions.
Abnormal cooling or heating	Air inlet or air outlet of indoor and outdoor units is blocked.	Clear obstructions.
	Improper temp setting.	Adjust setting at remote controller or wired controller.
	Fan speed is set too low.	Adjust setting at remote controller or wired controller.
	Wind direction is not correct.	Adjust setting at remote controller or wired controller.
	Door or window is open.	Close the door or window.
	Direct sunshine.	Draw curtain or louver.
	Too many people in the room.	
	Too many heat resources in the room.	Reduce heat resources.
	Filter is blocked and dirty.	Clean the filter.



NOTES!

If problem cannot be solved after checking the above items, please contact Gree service center and describe the cases and models.

Ducted Type Split Air-Conditioner Units(Inverter Series)

Following circumstances are not malfunctions:

Malfunction		Reason
Unit doesn't run.	Unit starts up immediately after it is turned off.	Overload protection switch makes it run after a 3-min delay.
	Power is just turned on.	Standby operation lasts for about 1min.
Mist comes from the unit.	Under cooling.	Indoor air with high humidity is cooled rapidly.
Noise is emitted.	Slight cracking sound is heard when unit is just turned on.	It is the noise when electronic expansion valve is initialized.
	There is consecutive sound when cooling.	It is the sound for gas refrigerant flowing in the unit.
	There is sound when unit starts or stops.	It is the sound when gas refrigerant stops flowing.
	There is slight and consecutive sound when unit is running or after running.	This is the sound of drainage operation.
	Cracking sound is heard when unit is running or after running.	This is the sound caused by the expansion of panel and other parts of the unit due to temperature change.
Unit blows out dust.	Unit starts up after not operating for a long time.	Dust in indoor unit is blown out.
Unit emits odor.	Under operation.	Unit absorbs the room odor and then blows it out.

6 Error Indication

Inquiry method of error indication: combine division symbol and content symbol to check the corresponding error.

For example, division symbol L and content symbol 4 together means over-current protection.

Division symbol \ Content symbol		0	1	2	3	4	5
		Indoor	L	Malfunction of IDU (uniform)	Protection of indoor fan	Auxiliary heating protection	Water-full protection
d	-		Indoor PCB is poor	-	Malfunction of ambient temperature sensor	Malfunction of entry-tube temperature sensor	Malfunction of middle temperature sensor

Ducted Type Split Air-Conditioner Units(Inverter Series)

Content symbol		0	1	2	3	4	5
Outdoor	E	Malfunction of ODU (uniform)	High-pressure protection	Discharge low-temperature protection	Low-pressure protection	High discharge temperature protection of compressor	High discharge temperature protection of compressor 1
	F	Main board of ODU is poor	Malfunction of high-pressure sensor	-	Malfunction of low-pressure sensor	-	Malfunction of discharge temperature sensor of compressor 1
	J	-	Over-current protection of compressor 1	-	-	-	-
	b	-	Malfunction of outdoor ambient temperature sensor	Malfunction of defrosting temperature sensor 1	-	Malfunction of liquid temperature sensor of sub-cooler	Malfunction of gas temperature sensor of sub-cooler
	P	malfunction of driving board of compressor (uniform)	Driving board of compressor operates abnormally (uniform)	Voltage protection of driving board power of compressor (uniform)	Reset protection of driving module of compressor	Drive PFC protection of compressor	Over-current protection of inverter compressor
	H	Malfunction of driving board of fan (uniform)	Driving board of fan operates abnormally (uniform)	Voltage protection of driving board power of fan (uniform)	Reset protection of driving module of fan	Drive PFC protection of fan	Over-current protection of inverter fan
Debugging	U	Preheat time of compressor is insufficient	-	Wrong setting of ODU's capacity code/jumper cap	-	Refrigerant-lacking protection	Wrong address for driving board of compressor
	C	Communication malfunction between IDU, ODU and IDU's wired controller	-	Communication malfunction between main control and inverter compressor driver	Communication malfunction between main control and inverter fan driver	Malfunction of lack of IDU	Alarm because project code of IDU is inconsistent
Status	A	Unit waiting for debugging	Inquiry of compressor operation parameters	Refrigerant recovery operation of after-sales	Defrosting	Oil-return	Online test
	n	SE operation setting of system	Setting of defrosting cycle K1	Setting of upper limit of IDU/ODU capacity distribution ratio	-	Limit setting for max. capacity/output capacity	-

Ducted Type Split Air-Conditioner Units(Inverter Series)

Content symbol		6	7	8	9	A	H
Indoor	L	Mode shock	No main IDU	Power supply is insufficient	1-to-more: number of IDU is inconsistent	1-to-more: IDU series is inconsistent	Alarm due to bad air quality (Fresh air unit)
	d	Malfunction of exit-tube temperature sensor	Malfunction of humidity sensor		Malfunction of jumper cap	Web address of IDU is abnormal	PCB of wired controller is abnormal
	J	-	Gas-mixing protection of 4-way valve	High pressure ratio protection of system	Low pressure ratio protection of system	Protection due to abnormal pressure	-
	b	Malfunction of inlet temp sensor of gas-liquid separator	Malfunction of outlet temp sensor of gas-liquid separator	-	Malfunction of heat exchanger temperature sensor	-	Clock of system is abnormal
	P	Drive IPM module protection of compressor	Malfunction of drive temperature sensor of compressor	Drive IPM high temperature protection of compressor	Desynchronizing protection of inverter compressor	-	High-voltage protection of compressor's drive DC bus bar
	H	Drive IPM module protection of fan	Malfunction of drive temperature sensor of fan	Drive IPM high temperature protection of fan	Desynchronizing protection of inverter fan	-	High-voltage protection of fan's drive DC bus bar
Debugging	U	Alarm because valve is abnormal	-	Short-circuit malfunction of IDU	Malfunction of pipe-line for ODU	-	-
	C	-	-	Emergency status of compressor	Emergency status of fan	-	Rated capacity is too high
Status	A	Heat pump function setting	Quiet mode setting	Vacuum pump mode	IPLV test	EU AA level EER test mode	Heating
	n	Inquiry of project code of IDU	Inquiry of malfunction	Inquiry of parameters	-	Heat pump unit	Heating only unit

Ducted Type Split Air-Conditioner Units(Inverter Series)

Content symbol		C	L	E	F	J	P
Indoor	L	Models for IDU and ODU are not matched	-	-	-	-	-
	d	Abnormal setting for capacity button	Malfunction of air-outlet temperature sensor(Fresh air unit)	Malfunction of indoor CO ₂ sensor (fresh air unit)	-	-	-
	E	Drop protection of discharge temperature sensor of compressor 1	-	-	-	-	-
	F	-	-	-	-	-	Malfunction of DC motor
	J	-	High-pressure protection	-	-	-	-
	P	Drive current detection circuit malfunction of compressor	Low-voltage protection of compressor's drive DC bus bar	Phase-lacking of inverter compressor	Drive charging circuit malfunction of compressor	Failure startup of inverter compressor	AC current protection of inverter compressor
	H	Drive current detection circuit malfunction of fan	Low-voltage protection of fan's drive DC bus bar	Phase-lacking of inverter fan	Drive charging circuit malfunction of fan	Failure startup of inverter fan	AC current protection of inverter fan
Debugging	U	Setting of main IDU is successful	Wrong button-dial	Charging of refrigerant is invalid	-	-	-
	C	Malfunction of lack of main control unit	Rated capacity is too low	-	Malfunction of multiple main control units	Malfunction of multiple main wired controllers	Malfunction of multiple main wired controllers
Status	A	Cooling	Charging refrigerant automatically	Charging refrigerant manually	Fan	Alarm for cleaning filter	Debugging confirmation for startup of unit
	n	Cooling only unit	-	Negative sign code	Fan model	-	-

Content symbol		U	b	d	n	y
Debugging	C	Communication malfunction between IDU and the receiving lamp plate	Overflow distribution of IP address	-	-	-
Status	A	Long-distance emergency stop	Emergency stop of operation	Limit operation	-	-

7 Maintenance and Care

Regular check, maintenance and care can extend unit's service life. Please have specialized person in charge of the management of air conditioners.

7.1 Outdoor Heat Exchanger

Outdoor heat exchanger shall be cleaned regularly, which is at least once every two months. You can use a dust catcher with nylon brush to clean away the dust on the heat exchanger. If compressed air source is available, it also can be used to clean the heat exchanger. Do not clean it with water.

7.2 Drain Pipe

Please check regularly whether drain pipe is blocked or not. Make sure condensate can be drained out smoothly.

7.3 Notice before Seasonal Use

- (1) Check whether air inlets and air outlets of indoor and outdoor units are blocked.
- (2) Check whether ground connection is reliable or not.
- (3) Check whether batteries in the remote controller are replaced or not.
- (4) Check whether air filter is properly installed.
- (5) If unit starts up after not operating for a long time, it should be power on 8 hours before peration starts so as to preheat the outdoor compressor.
- (6) Check whether outdoor unit is securely installed. If there is any problem, please contact Gree authorized service center.

7.4 Maintenance after Seasonal Use

- (1) Disconnect power of the entire system.
- (2) Clean the air filter and outer case of indoor and outdoor units.
- (3) Clean away the dust and obstacles on indoor and outdoor units.
- (4) If outdoor unit has rust, please apply some paint to it so as to prevent the rust from growing.

7.5 Parts Replacement

Parts and components can be obtained from nearby Gree office or Gree distributor.



NOTES!

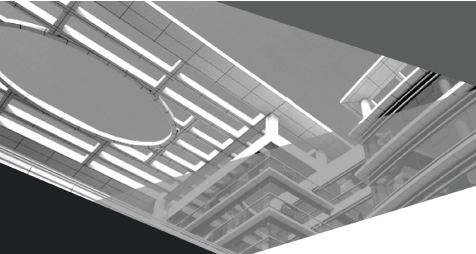
When you are conducting air tightness test and leakage test, do not mix oxygen, C₂H₂ or other dangerous gas into the refrigerant circuit. Otherwise, it may lead to danger. Use nitrogen or refrigerant to conduct the tests.

8 After-sales Service

If there's quality defect or other problems in the product, please contact Gree local after-sales service department for help.

Warranty must be based on the following conditions:

- (1) Product's initial startup must be performed by professional technicians from Gree service center or persons assigned by Gree.
- (2) Only Gree spare parts are used.
- (3) All instructions of unit operation and maintenance in this manual must be strictly followed according to set period and set frequency.
- (4) Any breach of the above conditions will disable the warranty.



GREE ELECTRIC APPLIANCES, INC. OF ZHUHAI

Add: West Jinji Rd, Qianshan, Zhuhai, Guangdong, China, 519070

Tel: (+86-756) 8522218

Fax: (+86-756) 8669426

E-mail: global@cn.gree.com www.gree.com



600005000582