



Technical Sales Guide

DC Inverter Multi VRF System

(GC202005-I)

TECHNICAL SALES GUIDE 50Hz/60Hz

CAPACITY RANGE :8-33.5kW

SUPER HIGH AMBIENT OPERATION TO 52°C






CONTENTS

1.OUTLINE OF MULTI VRF.....	1
2.SUMMARY OF SYSTEM EQUIPMENTS	5
3.BASIC SYSTEM CONFIGURATION	7
4.EQUIPMENT SELECTION PROCEDURE.....	8
5.REFRIGERANT PIPING DESIGN	280
6.WIRING DESIGN.....	286
7.ACCESSORIES.....	288
8.TECHNICAL SPECIFICATIONS	289
9.DIMENSIONAL DRAWINGS	294

1 OUTLINE OF MULTI VRF

➔ 1.1 Product List

Model	Code	Cooling Capacity(kW)	Heating Capacity(kW)	Power Supply	Refrigerant type	Appearance
GMV-80WL/A-T	CN850W0530	8	9	220V ~ 240V 50Hz or 208V ~ 230V 60Hz	R410A	
GMV-100WL/A-T	CN850W0430	10	11			
GMV-121WL/A-T	CN850W0420	12.1	13.0			
GMV-80WL/C-T	CN850W0590	8	9			
GMV-100WL/C-T	CN850W0600	10	11			
GMV-121WL/C-T	CN850W0640	12.1	13			
GMV-141WL/C-T	CN850W0880	14.1	16.0			

Model	Code	Cooling Capacity(kW)	Heating Capacity(kW)	Power Supply	Refrigerant type	Appearance
GMV-120WL/A-T	CN850W0180	12.1	14	220V ~ 240V 50Hz or 208V ~ 230V 60Hz	R410A	
GMV-120WL/C-T	CN850W0440	12.1	14			
GMV-140WL/A-T	CN850W0170	14	16.5			
GMV-140WL/C-T	CN850W0450	14	16.5			
GMV-160WL/A-T	CN850W0160	16	18.5			
GMV-160WL/C-T	CN850W0460	16	18.5			
GMV-120WL/A-X	CN850W0260	12.1	14	380V ~ 415V 50Hz or 380V ~ 415V 60Hz		
GMV-120WL/C-X	CN850W0470	12.1	14			
GMV-140WL/A-X	CN850W0250	14	16.5			
GMV-140WL/C-X	CN850W0480	14	16.5			
GMV-160WL/A-X	CN850W0240	16	18.5			
GMV-160WL/C-X	CN850W0490	16	18.5			
GMV-224WL/C-X	CN850W0510	22.4	24			
GMV-280WL/C-X	CN850W0520	28	30			
GMV-335WL/C-X	CN850W0500	33.5	35			
GMV-280WL/C1-X	CN850W1050	28	28			
GMV-335WL/C1-X	CN850W1060	33.5	33.5			



1.2 Product Features

1.2.1 Summary of Features

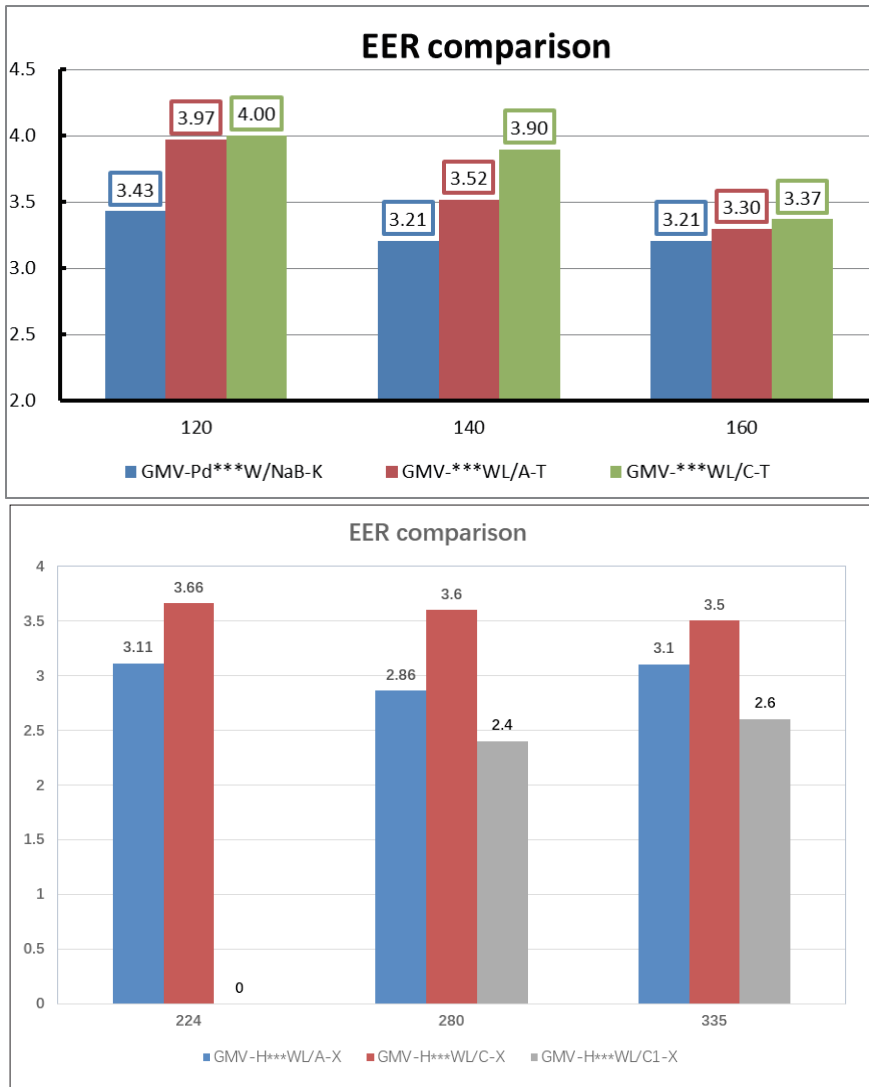
GMV5 Mini DC Inverter Multi VRF System is the new generation of DC inverter multi VRF system that Gree developed independently. It is a single refrigeration system that made up of one air cooled outdoor unit connected with several direct evaporative indoor units of identical or different series or capacity. It provides processed air directly to an area or several areas, which is mainly applicable for household or light commercial facilities. This product is endowed with the features of high efficiency, high anti-interference ability, long connection pipe, wide operation range, good acoustic, intelligent capacity adjustment, all-around protection.

1.2.2 Introduction of Features

(1) High Efficiency

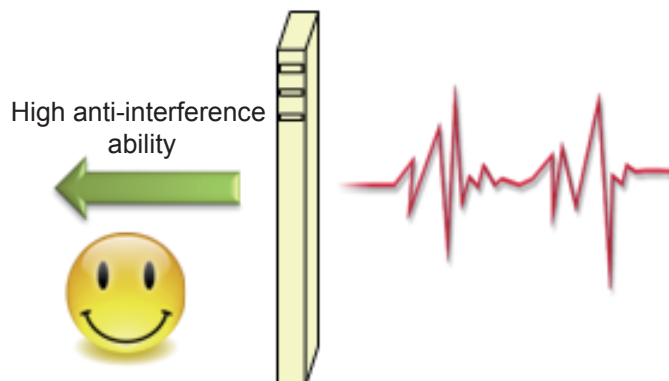
The system adopts all DC motor, which greatly improves efficiency. The highest EER reaches 4.00, which is increased greatly compared with last generation.

Dc Inverter Multi VRF System Technical Sales Guide



(2) Latest CAN Bus Communication

The latest communication way-CAN bus communication is adopted, which greatly improves anti-interference ability, precisely controls the indoor units and improves the reliability of system. Meanwhile, specialized shielded wire is no longer needed, while conventional communication wire can be used to increase the flexibility of project installation.



(3) Long Connection Pipe and Big Height Difference

The max length of connection reaches 300m(total length). The connection pipe between indoor unit

and outdoor unit can be as long as 120m. Project installation condition is wider while the limitation of installation distance is smaller. Branching joint and branching manifold can also be used. The max allowable height difference between indoor unit and outdoor unit is 50m and that between indoor unit and indoor unit is 15m.

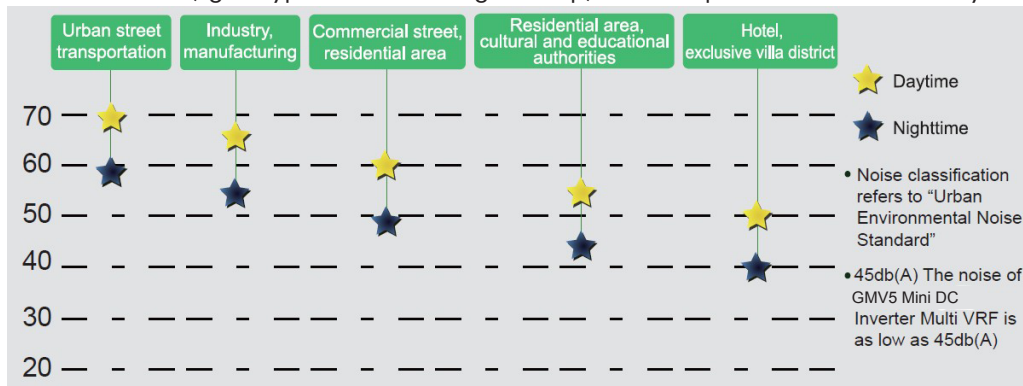
(4) Wide Operation Range

The system can operate constantly and reliably in a wide temperature range(cooling: -5~52°C, heating: -20~27°C), which is not affected by atrocious environment.



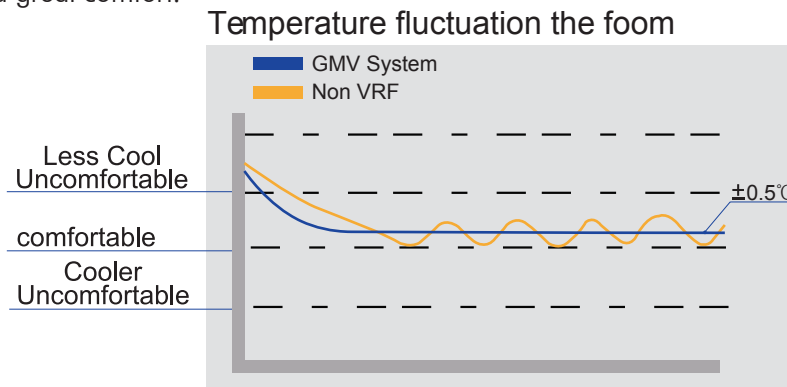
(5) Good Acoustic

A series of optimized measures are taken to solve the problem of indoor unit's throttling sound, indoor unit's oil return noise, gas bypass noise during start-up, which improves the comfort of system.



(6) PID Intelligent Capacity Adjustment

The system applies the original technology of PID intelligent capacity adjustment, which quickly and precisely controls indoor ambient temperature according to set temperature, with small temperature fluctuation and great comfort.



(7) Intelligent Control

1) Advanced DC inverter technology

- a. High-efficient magnetic reluctance inverter compressor: High-efficient magnetic reluctance compressor is adopted to take advantage of the magnetic reluctance torque of compressor. Under the same output capacity, the efficiency can be improved by 5%.
- b. Advanced torque control technology: minimum current and maximum torque control technology adopts the most optimized control principle to realize maximum torque output with minimum current and reduce loss of motor winding and intelligent power module for higher energy efficiency.
- c. Closed-loop start-up technology of compressor: Self-innovative closed-loop start-up control is applied to enable output torque follow with load torque, whose start-up current is small and start-up is more reliable.
- d. High-efficient numerical PFC control: High-efficient PFC control technology is applied to improve

Dc Inverter Multi VRF System Technical Sales Guide

efficiency by approx. 1% compared with traditional PFC; for an air condition with rated power of 5KW, 50W can be saved per hour and 1.2kWh electricity can be saved per day.

e. 180° sine wave DC variable speed technology: 180° current output waveform is smooth sine wave with small harmonic wave content, small torque pulsation, wide adjustable range and stable operation of motor, which can satisfy the temperature requirement in various occasion, save electricity greatly and ensure user's comfort in maximum.

2) Beautiful humanized controller design

a. 24h timer on or timer off can be preset (countdown timer and clock timer); Detect ambient temperature precisely; 7 kinds of fan speed can be set;

b. Auto, cool, dry, fan or heat mode can be set;

c. Master wired controller and sub-master wired controller can be set; several indoor units can be controlled simultaneously;

d. Various functions can be set: sleep, ventilation, quiet (auto quiet), light, absence, energy-saving, clean, e-heater, x-fan, memory, etc.

3) High anti-interference ability

The latest communication way-CAN bus communication(non-polar communication) is adopted, which greatly improves anti-interference ability. Specialized shielded wire is no longer needed for communication wire between units, while conventional communication wire can be used to increase the flexibility of project installation.

4) Intelligent temperature control technology and intelligent defrosting mode are adopted

The system is with strong quick cooling/heating function, which can increase indoor temperature rapidly to set temperature and perform defrosting according to frosting situation.

(8) Independent remote control, wired control, zone control, centralized control, long-distance monitoring and weekly timer control of indoor units are available.

2 SUMMARY OF SYSTEM EQUIPMENTS



2.1 Nomenclature

GMV	□	-	□	□	H	□	W	□	/	□	□	□	□
1	2		3	4	5	6	7	8		9	10	11	12

No.	Description	Options
1	Code for type	GMV – Gree Multi Variable
2	Climate type	Default – T1 condition
3	Units series	DC inverter (omit)
4	Function code	Q – Heat recovery unit; S – Water heater; W – Water-cooled unit; X – Fresh air unit The code is defaulted when the above-mentioned function is not available
5	Code	H – Only for GMV-H224WL/A-X, GMV-H280WL/A-X, GMV-H335WL/A-X
6	Cooling capacity	Nominal cooling capacity/100(W)
7	Outdoor unit	W
8	Construction	L – Non-modular side discharge
9	Refrigerant	R410A: Omit
10	Series number	Product serial number: A, B, C... or 1, 2, 3...
11	Power supply	Within 7000~18000W; Single phase power supply: Omit
12	Export	T – 220V ~ 240V 50Hz or 208V ~ 230V 60Hz X – 380V ~ 415V 50Hz or 380V ~ 415V 60Hz

2.2 Rated Conditions

	Indoor side inlet air status		Outdoor side inlet air status	
	Dry bulb temperature(°c)	Wet bulb temperature(°c)	Dry bulb temperature(°c)	Wet bulb temperature(°c)
Cooling	27	19	35	24
Heating	20	—	7	6

2.3 Branching joints

	Model name	Usage	Appearance
Y-shape branching joint	GMV-80WL/A-T	FQ01A/A	
	GMV-100WL/A-T		
	GMV-121WL/A-T		
	GMV-80WL/C-T		
	GMV-100WL/C-T		
	GMV-121WL/C-T		
	GMV-141WL/C-T		
	GMV-120WL/A-T		
	GMV-120WL/C-T		
	GMV-140WL/A-T		
	GMV-140WL/C-T		
	GMV-160WL/A-T		
	GMV-160WL/C-T		
	GMV-120WL/A-X		
	GMV-120WL/C-X		
	GMV-140WL/A-X		
	GMV-140WL/C-X		
	GMV-160WL/A-X		
	GMV-160WL/C-X		
	GMV-224WL/C-X	FQ01B/A	
GMV-280WL/C-X	FQ02/A		
GMV-335WL/C-X			
GMV-280WL/C1-X			
GMV-335WL/C1-X			

3 BASIC SYSTEM CONFIGURATION

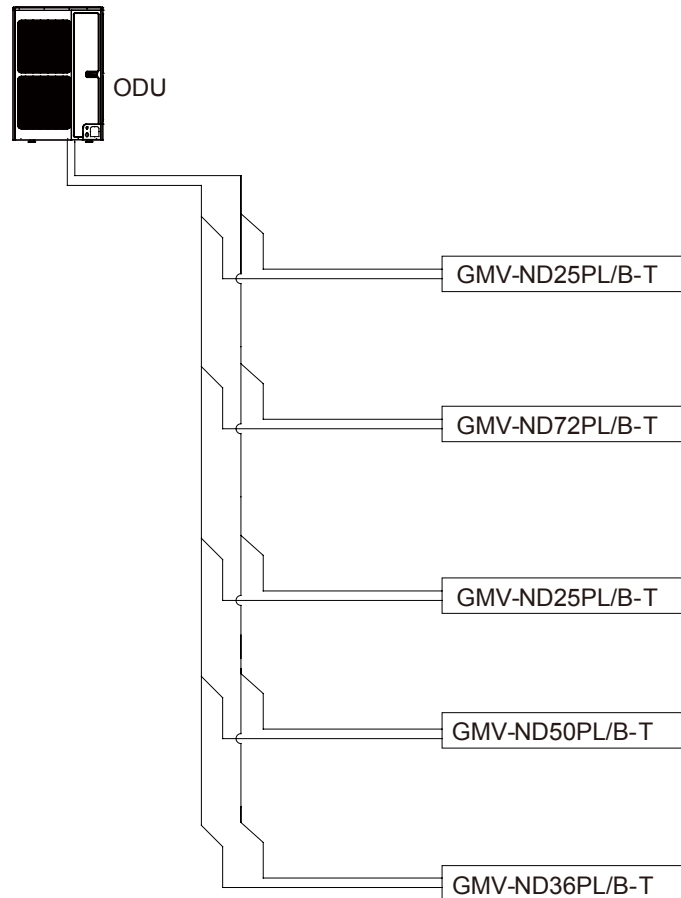


3.1 System legend(ex.)

Model name of outdoor unit: GMV-160WL/A-T

Allowed capacity code of indoor unit: Min:8000W Max: 21600W.

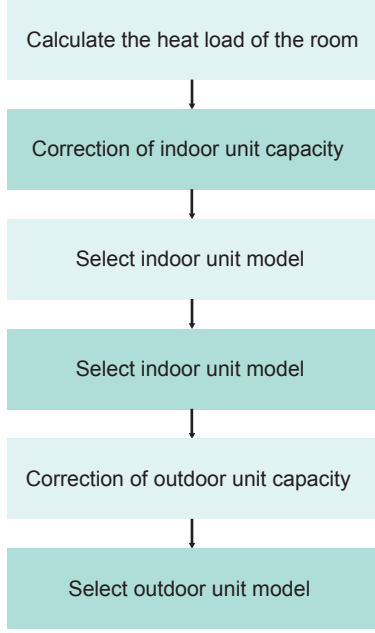
Note: The total capacity code of indoor units shall be within 50%~135% of the capacity code of selected outdoor unit.



GMV-160WL/A-T Total capacity code of indoor units is $25 \times 2 + 72 + 36 + 50 = 208$, so the selected outdoor unit is GMV-160WL/A-T.

4 EQUIPMENT SELECTION PROCEDURE

4.1 Selection flow chart



4.2 Combination conditions for indoor unit and outdoor unit

- (1) The capacity code of indoor units = The capacity code of indoor units = total capacity code of outdoor unit × (50%~135%).
- (2) For outdoor unit, maximum No. of connectable indoor units and total capacity code of indoor units are decided.

Model name of outdoor unit	Capacity code of outdoor unit (kW)	Max. No. of indoor units
GMV-80WL/A-T	8.0	4
GMV-100WL/A-T	10.0	5
GMV-121WL/A-T	12.1	6
GMV-80WL/C-T	8.0	4
GMV-100WL/C-T	10.0	5
GMV-121WL/C-T	12.1	6
GMV-141WL/C-T	14.1	8
GMV-120WL/A-T	12.1	7
GMV-120WL/C-T	12.1	7
GMV-140WL/A-T	14.0	8
GMV-140WL/C-T	14.0	8
GMV-160WL/A-T	16.0	9
GMV-160WL/C-T	16.0	9
GMV-120WL/A-X	12.1	7
GMV-120WL/C-X	12.1	7
GMV-140WL/A-X	14.0	8
GMV-140WL/C-X	14.0	8

DC Inverter Multi VRF System Technical Sales Guide

Model name of outdoor unit	Capacity code of outdoor unit (kW)	Max. No. of indoor units
GMV-160WL/A-X	16.0	9
GMV-160WL/C-X	16.0	9
GMV-224WL/C-X	22.4	13
GMV-280WL/C-X	28.0	17
GMV-335WL/C-X	33.5	20
GMV-280WL/C1-X	28.0	17
GMV-335WL/C1-X	33.5	20

4.3 Correction of Capacity Along with Ambient Temperature and Configuration Ratio

- Cooling Capacity Table for GMV5 Mini DC Inverter Multi VRF Unit GMV-80WL/A-T

TC—Total capacity of outdoor unit; PI—Power input of outdoor unit

Combination	Outdoor air temp (°C DB)	Indoor air temp													
		14.0°C WB		16.0°C WB		18.0°C WB		19.0°C WB		20.0°C WB		22.0°C WB		24.0°C WB	
		20.0°C DB		23.0°C DB		26.0°C DB		27.0°C DB		28.0°C DB		30.0°C DB		32.0°C DB	
		TC	PI	TC	PI	TC	PI	TC	PI	TC	PI	TC	PI	TC	PI
		kW	kW	kW	kW	kW	kW	kW	kW	kW	kW	kW	kW	kW	
135%	-5	7.0	0.88	8.4	1.08	9.7	1.09	10.1	1.10	10.3	1.10	10.5	1.11	10.9	1.13
	0	7.0	0.89	8.4	1.08	9.7	1.09	10.1	1.10	10.3	1.10	10.5	1.12	10.9	1.13
	4	7.0	0.89	8.4	1.08	9.7	1.10	10.1	1.10	10.3	1.11	10.5	1.12	10.9	1.13
	7	7.0	0.91	8.4	1.10	9.7	1.12	10.1	1.12	10.3	1.13	10.5	1.14	10.7	1.15
	10	7.0	0.92	8.4	1.13	9.7	1.34	10.1	1.37	10.2	1.34	10.5	1.29	10.7	1.23
	12	7.0	0.94	8.4	1.15	9.7	1.37	9.9	1.36	10.1	1.33	10.3	1.27	10.6	1.26
	14	7.0	0.96	8.4	1.17	9.7	1.38	9.8	1.36	9.9	1.33	10.2	1.32	10.5	1.33
	16	7.0	0.97	8.4	1.19	9.6	1.38	9.7	1.37	9.8	1.37	10.1	1.39	10.3	1.40
	18	7.0	0.99	8.4	1.22	9.4	1.43	9.5	1.44	9.7	1.44	9.9	1.46	10.2	1.47
	20	7.0	1.01	8.4	1.30	9.3	1.50	9.4	1.51	9.5	1.51	9.8	1.53	10.1	1.54
	21	7.0	1.04	8.4	1.34	9.2	1.53	9.4	1.54	9.5	1.55	9.7	1.57	10.0	1.58
	23	7.0	1.12	8.4	1.44	9.1	1.60	9.2	1.61	9.3	1.62	9.6	1.64	9.9	1.65
	25	7.0	1.19	8.4	1.54	9.0	1.67	9.1	1.68	9.2	1.69	9.5	1.71	9.7	1.73
	27	7.0	1.27	8.4	1.65	8.9	1.47	9.0	1.75	9.1	1.76	9.3	1.78	9.6	1.80
	29	7.0	1.36	8.4	1.76	8.7	1.81	8.8	1.82	9.0	1.84	9.2	1.85	9.5	1.87
	31	7.0	1.45	8.3	1.87	8.6	1.89	8.7	1.90	8.8	1.91	9.1	1.93	9.3	1.95
	33	7.0	1.54	8.2	1.94	8.5	1.95	8.6	1.97	8.7	1.98	9.0	2.00	9.2	2.02
	35	7.0	1.65	8.1	2.01	8.3	2.03	8.5	2.04	8.6	2.05	8.8	2.08	9.1	2.10
37	7.0	1.75	7.9	2.08	8.2	2.10	8.3	2.11	8.5	2.13	8.7	2.15	8.9	2.18	
39	7.0	1.87	7.8	2.15	8.1	2.17	8.2	2.19	8.3	2.20	8.6	2.22	8.8	2.25	
41	6.6	2.08	7.7	2.53	7.9	2.56	8.0	2.37	8.2	2.38	8.4	2.41	8.7	2.43	
44	6.2	2.26	7.3	2.75	7.5	2.84	7.7	2.67	7.8	2.56	8.1	2.53	8.4	2.56	
47	5.8	3.00	7.0	3.66	7.3	2.98	7.4	2.71	7.5	2.73	7.8	2.72	8.1	2.75	
50	5.3	2.95	6.3	3.59	6.5	3.15	6.6	2.94	6.7	2.91	7.0	2.91	7.3	2.87	
52	4.0	2.49	4.7	3.03	4.9	2.68	5.0	2.67	5.1	2.63	5.6	2.59	5.9	2.52	

Combination	Outdoor air temp (°C DB)	Indoor air temp													
		14.0°C WB		16.0°C WB		18.0°C WB		19.0°C WB		20.0°C WB		22.0°C WB		24.0°C WB	
		20.0°C DB		23.0°C DB		26.0°C DB		27.0°C DB		28.0°C DB		30.0°C DB		32.0°C DB	
		TC	PI	TC	PI	TC	PI	TC	PI	TC	PI	TC	PI	TC	PI
		kW	kW	kW	kW	kW	kW	kW	kW	kW	kW	kW	kW	kW	
120%	-5	6.5	0.79	8.0	1.02	9.5	1.08	9.9	1.09	10.1	1.09	10.3	1.11	10.6	1.12
	0	6.5	0.79	8.0	1.02	9.5	1.08	9.9	1.09	10.1	1.10	10.3	1.11	10.6	1.12
	4	6.5	0.79	8.0	1.02	9.5	1.09	9.9	1.09	10.1	1.10	10.3	1.11	10.6	1.12
	7	6.5	0.81	8.0	1.04	9.5	1.11	9.9	1.11	10.1	1.12	10.3	1.13	10.5	1.14
	10	6.5	0.84	7.7	1.03	9.0	1.22	9.6	1.32	10.1	1.38	10.3	1.32	10.5	1.27
	12	6.5	0.86	7.7	1.05	9.0	1.25	9.6	1.35	9.9	1.37	10.1	1.32	10.4	1.26
	14	6.5	0.87	7.7	1.07	9.0	1.27	9.6	1.37	9.8	1.36	10.0	1.31	10.3	1.32
	16	6.5	0.89	7.7	1.09	9.0	1.29	9.5	1.38	9.7	1.36	9.9	1.38	10.1	1.39
	18	6.5	0.91	7.7	1.11	9.0	1.34	9.4	1.43	9.5	1.43	9.7	1.45	10.0	1.46
	20	6.5	0.92	7.7	1.15	9.0	1.44	9.3	1.50	9.4	1.50	9.6	1.52	9.9	1.53
	21	6.5	0.93	7.7	1.19	9.0	1.49	9.2	1.53	9.3	1.54	9.6	1.55	9.8	1.57
	23	6.5	1.00	7.7	1.28	9.0	1.60	9.1	1.60	9.2	1.61	9.4	1.63	9.7	1.64
	25	6.5	1.06	7.7	1.37	8.8	1.67	8.9	1.67	9.1	1.68	9.3	1.70	9.5	1.71
	27	6.5	1.14	7.7	1.46	8.7	1.73	8.8	1.74	8.9	1.75	9.2	1.77	9.4	1.78
	29	6.5	1.21	7.7	1.56	8.6	1.80	8.7	1.81	8.8	1.82	9.0	1.84	9.3	1.86
	31	6.5	1.29	7.7	1.67	8.5	1.88	8.6	1.88	8.7	1.89	8.9	1.91	9.1	1.93
	33	6.5	1.38	7.7	1.78	8.3	1.95	8.4	1.96	8.5	1.96	8.8	1.99	9.0	2.01
	35	6.5	1.47	7.7	1.90	8.2	2.02	8.3	2.03	8.4	2.04	8.7	2.06	8.9	2.08
	37	6.5	1.56	7.7	2.02	8.1	2.09	8.2	2.10	8.3	2.11	8.5	2.13	8.7	2.16
	39	6.5	1.66	7.7	2.13	7.9	2.16	8.0	2.17	8.1	2.18	8.4	2.21	8.6	2.23
41	6.1	1.85	7.3	2.39	7.8	2.54	7.9	2.35	8.0	2.36	8.2	2.39	8.5	2.41	
44	5.7	2.01	6.9	2.60	7.4	2.82	7.5	2.66	7.7	2.55	7.9	2.51	8.2	2.54	
47	5.4	2.67	6.7	3.46	7.2	2.96	7.3	2.70	7.4	2.71	7.7	2.70	7.9	2.73	
50	4.9	2.62	6.0	3.40	6.4	3.13	6.5	2.92	6.6	2.89	6.8	2.88	7.1	2.85	
52	3.7	2.21	4.5	2.87	4.8	2.66	4.9	2.66	5.1	2.61	5.5	2.57	5.8	2.50	

Dc Inverter Multi VRF System Technical Sales Guide

Combination	Outdoor air temp (°C DB)	Indoor air temp													
		14.0°C WB		16.0°C WB		18.0°C WB		19.0°C WB		20.0°C WB		22.0°C WB		24.0°C WB	
		20.0°C DB		23.0°C DB		26.0°C DB		27.0°C DB		28.0°C DB		30.0°C DB		32.0°C DB	
		TC	PI	TC	PI	TC	PI	TC	PI	TC	PI	TC	PI	TC	PI
		kW	kW	kW	kW	kW	kW	kW	kW	kW	kW	kW	kW	kW	
110%	-5	5.9	0.70	7.4	0.90	9.4	1.08	9.7	1.08	9.9	1.09	10.1	1.10	10.4	1.11
	0	5.9	0.70	7.4	0.90	9.4	1.08	9.7	1.08	9.9	1.09	10.1	1.10	10.4	1.11
	4	5.9	0.70	7.4	0.90	9.4	1.08	9.7	1.09	9.9	1.09	10.1	1.10	10.4	1.11
	7	5.9	0.71	7.4	0.92	9.4	1.10	9.7	1.11	9.9	1.11	10.0	1.12	10.2	1.13
	10	5.9	0.76	7.1	0.93	8.2	1.11	8.8	1.19	9.4	1.29	10.1	1.36	10.3	1.32
	12	5.9	0.78	7.1	0.95	8.2	1.13	8.8	1.22	9.4	1.31	10.0	1.36	10.2	1.31
	14	5.9	0.79	7.1	0.96	8.2	1.15	8.8	1.24	9.4	1.33	9.8	1.36	10.1	1.31
	16	5.9	0.81	7.1	0.98	8.2	1.17	8.8	1.26	9.4	1.36	9.7	1.37	9.9	1.38
	18	5.9	0.82	7.1	1.00	8.2	1.19	8.8	1.30	9.4	1.43	9.6	1.44	9.8	1.45
	20	5.9	0.84	7.1	1.02	8.2	1.26	8.8	1.40	9.2	1.50	9.5	1.51	9.7	1.52
	21	5.9	0.85	7.1	1.05	8.2	1.31	8.8	1.45	9.2	1.53	9.4	1.54	9.6	1.56
	23	5.9	0.89	7.1	1.13	8.2	1.40	8.8	1.55	9.0	1.60	9.3	1.61	9.5	1.63
	25	5.9	0.94	7.1	1.21	8.2	1.50	8.8	1.66	8.9	1.67	9.1	1.68	9.3	1.70
	27	5.9	1.01	7.1	1.29	8.2	1.61	8.7	1.73	8.8	1.74	9.0	1.75	9.2	1.77
	29	5.9	1.08	7.1	1.38	8.2	1.72	8.5	1.80	8.7	1.81	8.9	1.83	9.1	1.84
	31	5.9	1.15	7.1	1.47	8.2	1.83	8.4	1.87	8.5	1.88	8.7	1.90	8.9	1.92
	33	5.9	1.22	7.1	1.57	8.2	1.93	8.3	1.94	8.4	1.95	8.6	1.97	8.8	1.99
	35	5.9	1.30	7.1	1.67	8.1	2.00	8.1	2.01	8.3	2.02	8.5	2.04	8.7	2.06
	37	5.9	1.38	7.1	1.78	7.9	2.08	8.0	2.08	8.1	2.09	8.3	2.12	8.5	2.13
	39	5.9	1.47	7.1	1.89	7.8	2.15	7.9	2.16	8.0	2.17	8.2	2.19	8.4	2.21
41	5.6	1.63	6.7	2.10	7.7	2.52	7.7	2.34	7.9	2.35	8.1	2.37	8.3	2.39	
44	5.2	1.78	6.4	2.29	7.3	2.80	7.4	2.64	7.5	2.53	7.7	2.49	8.0	2.52	
47	4.9	2.36	6.2	3.04	7.1	2.94	7.1	2.68	7.3	2.69	7.5	2.68	7.7	2.70	
50	4.5	2.32	5.5	2.99	6.3	3.10	6.4	2.90	6.5	2.87	6.7	2.86	6.9	2.82	
52	3.4	1.96	4.1	2.52	4.7	2.64	4.8	2.64	5.0	2.59	5.3	2.55	5.6	2.47	

Combination	Outdoor air temp (°C DB)	Indoor air temp													
		14.0°C WB		16.0°C WB		18.0°C WB		19.0°C WB		20.0°C WB		22.0°C WB		24.0°C WB	
		20.0°C DB		23.0°C DB		26.0°C DB		27.0°C DB		28.0°C DB		30.0°C DB		32.0°C DB	
		TC	PI	TC	PI	TC	PI	TC	PI	TC	PI	TC	PI	TC	PI
		kW	kW	kW	kW	kW	kW	kW	kW	kW	kW	kW	kW	kW	
100%	-5	5.4	0.61	6.7	0.78	8.7	0.97	9.5	1.07	9.7	1.08	9.9	1.09	10.1	1.10
	0	5.4	0.61	6.7	0.78	8.7	0.97	9.5	1.08	9.7	1.08	9.9	1.09	10.1	1.10
	4	5.4	0.61	6.7	0.78	8.7	0.98	9.5	1.08	9.7	1.09	9.9	1.10	10.1	1.11
	7	5.4	0.62	6.7	0.80	8.7	1.00	9.5	1.10	9.7	1.11	9.8	1.12	10.0	1.13
	10	5.4	0.69	6.4	0.84	7.5	0.99	8.0	1.07	8.5	1.16	9.6	1.31	10.1	1.36
	12	5.4	0.70	6.4	0.85	7.5	1.00	8.0	1.08	8.5	1.18	9.6	1.33	10.0	1.35
	14	5.4	0.71	6.4	0.86	7.5	1.02	8.0	1.10	8.5	1.20	9.6	1.35	9.9	1.34
	16	5.4	0.73	6.4	0.88	7.5	1.04	8.0	1.13	8.5	1.23	9.5	1.38	9.7	1.37
	18	5.4	0.74	6.4	0.90	7.5	1.07	8.0	1.15	8.5	1.25	9.4	1.41	9.6	1.43
	20	5.4	0.75	6.4	0.92	7.5	1.10	8.0	1.21	8.5	1.33	9.3	1.49	9.5	1.51
	21	5.4	0.76	6.4	0.93	7.5	1.14	8.0	1.25	8.5	1.38	9.2	1.54	9.4	1.55
	23	5.4	0.78	6.4	0.99	7.5	1.22	8.0	1.35	8.5	1.48	9.1	1.63	9.3	1.64
	25	5.4	0.83	6.4	1.05	7.5	1.30	8.0	1.43	8.5	1.58	8.9	1.68	9.1	1.70
	27	5.4	0.89	6.4	1.12	7.5	1.40	8.0	1.54	8.5	1.70	8.8	1.74	9.0	1.76
	29	5.4	0.94	6.4	1.20	7.5	1.49	8.0	1.65	8.5	1.80	8.7	1.83	8.9	1.84
	31	5.4	1.00	6.4	1.28	7.5	1.59	8.0	1.77	8.4	1.87	8.5	1.90	8.7	1.92
	33	5.4	1.07	6.4	1.36	7.5	1.70	8.0	1.88	8.2	1.94	8.4	1.96	8.6	1.97
	35	5.4	1.13	6.4	1.45	7.5	1.81	8.0	2.0	8.1	2.01	8.3	2.03	8.5	2.05
	37	5.4	1.21	6.4	1.55	7.5	1.93	7.9	2.1	8.0	2.08	8.2	2.10	8.4	2.12
	39	5.4	1.29	6.4	1.65	7.5	2.05	7.8	2.14	7.8	2.15	8.1	2.17	8.2	2.19
41	5.1	1.43	6.1	1.83	7.1	2.28	7.6	2.32	7.7	2.33	7.9	2.35	8.1	2.37	
44	4.8	1.55	5.8	1.99	6.8	2.53	7.3	2.62	7.4	2.51	7.6	2.47	7.8	2.50	
47	4.5	2.07	5.6	2.65	6.5	2.66	7.0	2.66	7.1	2.67	7.3	2.66	7.5	2.68	
50	4.1	2.03	5.0	2.60	5.8	2.81	6.3	2.88	6.3	2.85	6.5	2.84	6.8	2.80	
52	3.1	1.71	3.7	2.19	4.4	2.39	4.7	2.62	4.9	2.57	5.2	2.54	5.5	2.46	

Dc Inverter Multi VRF System Technical Sales Guide

Combination	Outdoor air temp (°C DB)	Indoor air temp													
		14.0°C WB		16.0°C WB		18.0°C WB		19.0°C WB		20.0°C WB		22.0°C WB		24.0°C WB	
		20.0°C DB		23.0°C DB		26.0°C DB		27.0°C DB		28.0°C DB		30.0°C DB		32.0°C DB	
		TC	PI	TC	PI	TC	PI	TC	PI	TC	PI	TC	PI	TC	PI
	kW	kW	kW	kW	kW	kW	kW	kW	kW	kW	kW	kW	kW	kW	
90%	-5	5.3	0.53	6.4	0.67	8.3	0.83	9.0	0.92	9.6	1.01	10.1	1.08	10.3	1.09
	0	5.3	0.53	6.4	0.67	8.3	0.83	9.0	0.92	9.6	1.01	10.1	1.08	10.3	1.09
	4	5.3	0.53	6.4	0.68	8.3	0.83	9.0	0.92	9.6	1.01	10.1	1.09	10.3	1.10
	7	5.3	0.54	6.4	0.69	8.3	0.85	9.0	0.94	9.6	1.03	10.0	1.11	10.2	1.12
	10	5.3	0.60	6.2	0.72	7.1	0.85	7.6	0.95	8.1	1.02	9.0	1.16	9.9	1.32
	12	5.3	0.61	6.2	0.73	7.1	0.86	7.6	0.97	8.1	1.04	9.0	1.18	9.9	1.34
	14	5.3	0.62	6.2	0.75	7.1	0.87	7.6	0.98	8.1	1.05	9.0	1.20	9.9	1.36
	16	5.3	0.63	6.2	0.76	7.1	0.89	7.6	1.00	8.1	1.08	9.0	1.23	9.9	1.38
	18	5.3	0.65	6.2	0.78	7.1	0.91	7.6	1.02	8.1	1.10	9.0	1.26	9.8	1.43
	20	5.3	0.66	6.2	0.79	7.1	0.94	7.6	1.04	8.1	1.14	9.0	1.35	9.7	1.49
	21	5.3	0.67	6.2	0.80	7.1	0.97	7.6	1.08	8.1	1.18	9.0	1.40	9.6	1.53
	23	5.3	0.68	6.2	0.85	7.1	1.04	7.6	1.16	8.1	1.27	9.0	1.50	9.5	1.61
	25	5.3	0.73	6.2	0.91	7.1	1.11	7.6	1.24	8.1	1.35	9.0	1.61	9.3	1.67
	27	5.3	0.78	6.2	0.97	7.1	1.19	7.6	1.32	8.1	1.45	9.0	1.72	9.2	1.74
	29	5.3	0.82	6.2	1.04	7.1	1.28	7.6	1.41	8.1	1.55	8.9	1.80	9.1	1.82
	31	5.3	0.87	6.2	1.10	7.1	1.36	7.6	1.51	8.1	1.65	8.8	1.86	8.9	1.89
	33	5.3	0.93	6.2	1.18	7.1	1.45	7.6	1.60	8.1	1.76	8.7	1.94	8.8	1.96
	35	5.3	0.99	6.2	1.25	7.1	1.55	7.6	1.71	8.1	1.88	8.5	2.01	8.7	2.03
37	5.3	1.05	6.2	1.33	7.1	1.65	7.5	1.77	8.1	2.01	8.4	2.08	8.6	2.08	
39	5.3	1.12	6.2	1.42	7.1	1.75	7.4	1.83	8.1	2.13	8.3	2.16	8.4	2.15	
41	5.0	1.25	5.9	1.58	6.8	1.95	7.2	1.98	7.7	2.18	8.1	2.33	8.3	2.35	
44	4.7	1.36	5.6	1.72	6.5	2.16	7.0	2.24	7.4	2.35	7.8	2.45	8.0	2.47	
47	4.4	1.80	5.4	2.28	6.3	2.27	6.7	2.27	7.1	2.50	7.6	2.63	7.8	2.66	
50	4.1	1.77	4.9	2.24	5.7	2.40	6.0	2.46	6.4	2.67	6.8	2.81	7.0	2.78	
52	3.2	1.49	3.8	1.89	4.3	2.04	4.6	2.24	5.0	2.40	5.5	2.51	5.8	2.43	

Combination	Outdoor air temp (°C DB)	Indoor air temp													
		14.0°C WB		16.0°C WB		18.0°C WB		19.0°C WB		20.0°C WB		22.0°C WB		24.0°C WB	
		20.0°C DB		23.0°C DB		26.0°C DB		27.0°C DB		28.0°C DB		30.0°C DB		32.0°C DB	
		TC	PI	TC	PI	TC	PI	TC	PI	TC	PI	TC	PI	TC	PI
		kW	kW	kW	kW	kW	kW	kW	kW	kW	kW	kW	kW	kW	
80%	-5	4.7	0.46	5.7	0.57	7.4	0.70	8.0	0.77	8.5	0.85	9.5	1.00	10.1	1.08
	0	4.7	0.46	5.7	0.57	7.4	0.70	8.0	0.78	8.5	0.85	9.5	1.01	10.1	1.08
	4	4.7	0.46	5.7	0.57	7.4	0.71	8.0	0.78	8.5	0.85	9.5	1.01	10.1	1.08
	7	4.7	0.47	5.7	0.58	7.4	0.72	8.0	0.79	8.5	0.87	9.5	1.03	9.9	1.10
	10	4.7	0.55	5.5	0.65	6.4	0.77	6.8	0.83	7.2	0.89	8.1	1.02	8.9	1.18
	12	4.7	0.56	5.5	0.67	6.4	0.78	6.8	0.85	7.2	0.91	8.1	1.03	8.9	1.17
	14	4.7	0.57	5.5	0.68	6.4	0.80	6.8	0.86	7.2	0.92	8.1	1.05	8.9	1.20
	16	4.7	0.57	5.5	0.69	6.4	0.81	6.8	0.88	7.2	0.94	8.1	1.07	8.9	1.24
	18	4.7	0.58	5.5	0.70	6.4	0.83	6.8	0.89	7.2	0.95	8.1	1.10	8.9	1.33
	20	4.7	0.60	5.5	0.72	6.4	0.85	6.8	0.91	7.2	0.98	8.1	1.14	8.9	1.37
	21	4.7	0.60	5.5	0.72	6.4	0.85	6.8	0.92	7.2	1.00	8.1	1.18	8.9	1.47
	23	4.7	0.61	5.5	0.74	6.4	0.89	6.8	0.98	7.2	1.07	8.1	1.26	8.9	1.57
	25	4.7	0.63	5.5	0.78	6.4	0.96	6.8	1.05	7.2	1.14	8.1	1.35	8.9	1.68
	27	4.7	0.67	5.5	0.84	6.4	1.02	6.8	1.12	7.2	1.22	8.1	1.44	8.9	1.74
	29	4.7	0.71	5.5	0.89	6.4	1.09	6.8	1.19	7.2	1.30	8.1	1.54	8.9	1.80
	31	4.7	0.76	5.5	0.95	6.4	1.16	6.8	1.27	7.2	1.39	8.1	1.64	8.7	1.87
	33	4.7	0.81	5.5	1.05	6.4	1.23	6.8	1.35	7.2	1.48	8.1	1.75	8.6	1.93
	35	4.7	0.85	5.5	1.05	6.4	1.31	6.8	1.44	7.2	1.58	8.1	1.87	8.5	2.00
	37	4.7	0.91	5.5	1.13	6.4	1.39	6.7	1.54	7.2	1.68	8.1	1.99	8.4	2.08
39	4.7	0.96	5.5	1.20	6.4	1.48	6.6	1.64	7.2	1.79	8.1	2.12	8.2	2.16	
41	4.5	1.08	5.3	1.33	6.1	1.65	6.5	1.67	6.9	1.83	7.7	2.17	8.1	2.33	
44	4.2	1.17	5.0	1.44	5.8	1.83	6.2	1.89	6.6	1.97	7.4	2.28	7.8	2.45	
47	4.0	1.56	4.9	1.92	5.6	1.93	6.0	1.92	6.4	2.10	7.2	2.45	7.6	2.63	
50	3.7	1.53	4.4	1.89	5.1	2.03	5.4	2.08	5.7	2.24	6.4	2.62	6.9	2.75	
52	2.9	1.29	3.4	1.59	3.9	1.73	4.2	1.89	4.5	2.02	5.2	2.34	5.7	2.41	

Dc Inverter Multi VRF System Technical Sales Guide

Combination	Outdoor air temp (°C DB)	Indoor air temp													
		14.0°C WB		16.0°C WB		18.0°C WB		19.0°C WB		20.0°C WB		22.0°C WB		24.0°C WB	
		20.0°C DB		23.0°C DB		26.0°C DB		27.0°C DB		28.0°C DB		30.0°C DB		32.0°C DB	
		TC	PI	TC	PI	TC	PI	TC	PI	TC	PI	TC	PI	TC	PI
		kW	kW	kW	kW	kW	kW	kW	kW	kW	kW	kW	kW	kW	
70%	-5	4.2	0.39	5.1	0.48	6.5	0.59	7.1	0.64	7.6	0.70	8.4	0.83	9.3	0.96
	0	4.2	0.39	5.1	0.48	6.5	0.59	7.1	0.64	7.6	0.70	8.4	0.83	9.3	0.96
	4	4.2	0.39	5.1	0.49	6.5	0.59	7.1	0.65	7.6	0.70	8.4	0.83	9.3	0.97
	7	4.2	0.40	5.1	0.50	6.5	0.60	7.1	0.66	7.6	0.72	8.3	0.85	9.2	0.98
	10	4.2	0.48	4.9	0.57	5.6	0.67	6.0	0.72	6.4	0.77	7.1	0.87	7.8	0.98
	12	4.2	0.49	4.9	0.58	5.6	0.68	6.0	0.73	6.4	0.78	7.1	0.89	7.8	1.00
	14	4.2	0.50	4.9	0.59	5.6	0.69	6.0	0.74	6.4	0.80	7.1	0.91	7.8	1.02
	16	4.2	0.50	4.9	0.60	5.6	0.70	6.0	0.76	6.4	0.81	7.1	0.92	7.8	1.04
	18	4.2	0.51	4.9	0.61	5.6	0.72	6.0	0.77	6.4	0.82	7.1	0.94	7.8	1.06
	20	4.2	0.52	4.9	0.62	5.6	0.73	6.0	0.78	6.4	0.84	7.1	0.96	7.8	1.09
	21	4.2	0.53	4.9	0.63	5.6	0.74	6.0	0.79	6.4	0.85	7.1	0.97	7.8	1.13
	23	4.2	0.53	4.9	0.64	5.6	0.75	6.0	0.82	6.4	0.89	7.1	1.04	7.8	1.21
	25	4.2	0.54	4.9	0.67	5.6	0.80	6.0	0.88	6.4	0.95	7.1	1.12	7.8	1.29
	27	4.2	0.58	4.9	0.71	5.6	0.85	6.0	0.93	6.4	1.02	7.1	1.19	7.8	1.38
	29	4.2	0.61	4.9	0.75	5.6	0.91	6.0	0.99	6.4	1.08	7.1	1.27	7.8	1.47
	31	4.2	0.65	4.9	0.80	5.6	0.97	6.0	1.06	6.4	1.15	7.1	1.35	7.8	1.57
	33	4.2	0.69	4.9	0.85	5.6	1.03	6.0	1.12	6.4	1.23	7.1	1.44	7.8	1.68
	35	4.2	0.73	4.9	0.90	5.6	1.09	6.0	1.20	6.4	1.30	7.1	1.54	7.8	1.79
	37	4.2	0.77	4.9	0.95	5.6	1.16	5.9	1.27	6.4	1.39	7.1	1.64	7.8	1.90
	39	4.2	0.81	4.9	1.01	5.6	1.23	5.8	1.35	6.4	1.47	7.1	1.74	7.8	2.03
41	4.0	0.92	4.7	1.13	5.4	1.38	5.7	1.39	6.1	1.51	6.8	1.78	7.5	2.07	
44	3.7	1.00	4.4	1.23	5.1	1.53	5.5	1.57	5.8	1.63	6.5	1.87	7.2	2.18	
47	3.5	1.33	4.3	1.64	5.0	1.60	5.3	1.59	5.6	1.74	6.3	2.01	7.0	2.34	
50	3.3	1.30	3.9	1.61	4.5	1.69	4.8	1.72	5.1	1.85	5.7	2.15	6.3	2.45	
52	2.6	1.10	3.0	1.36	3.5	1.44	3.7	1.57	4.0	1.67	4.6	1.92	5.2	2.14	

Combination	Outdoor air temp (°C DB)	Indoor air temp													
		14.0°C WB		16.0°C WB		18.0°C WB		19.0°C WB		20.0°C WB		22.0°C WB		24.0°C WB	
		20.0°C DB		23.0°C DB		26.0°C DB		27.0°C DB		28.0°C DB		30.0°C DB		32.0°C DB	
		TC	PI	TC	PI	TC	PI	TC	PI	TC	PI	TC	PI	TC	PI
		kW	kW	kW	kW	kW	kW	kW	kW	kW	kW	kW	kW	kW	
60%	-5	3.6	0.33	4.4	0.40	5.6	0.48	6.1	0.52	6.5	0.57	7.3	0.66	8.0	0.77
	0	3.6	0.33	4.4	0.40	5.6	0.48	6.1	0.52	6.5	0.57	7.3	0.67	8.0	0.77
	4	3.6	0.33	4.4	0.40	5.6	0.48	6.1	0.53	6.5	0.57	7.3	0.67	8.0	0.77
	7	3.6	0.34	4.4	0.41	5.6	0.49	6.1	0.54	6.5	0.58	7.2	0.68	7.9	0.79
	10	3.6	0.42	4.3	0.49	4.9	0.57	5.2	0.61	5.5	0.65	6.1	0.74	6.8	0.82
	12	3.6	0.43	4.3	0.50	4.9	0.58	5.2	0.62	5.5	0.66	6.1	0.75	6.8	0.84
	14	3.6	0.43	4.3	0.51	4.9	0.59	5.2	0.63	5.5	0.67	6.1	0.76	6.8	0.85
	16	3.6	0.44	4.3	0.51	4.9	0.60	5.2	0.64	5.5	0.68	6.1	0.78	6.8	0.87
	18	3.6	0.44	4.3	0.52	4.9	0.61	5.2	0.65	5.5	0.70	6.1	0.79	6.8	0.89
	20	3.6	0.45	4.3	0.53	4.9	0.62	5.2	0.67	5.5	0.71	6.1	0.81	6.8	0.91
	21	3.6	0.46	4.3	0.54	4.9	0.63	5.2	0.67	5.5	0.72	6.1	0.81	6.8	0.91
	23	3.6	0.46	4.3	0.55	4.9	0.64	5.2	0.68	5.5	0.73	6.1	0.85	6.8	0.97
	25	3.6	0.47	4.3	0.56	4.9	0.66	5.2	0.72	5.5	0.78	6.1	0.90	6.8	1.04
	27	3.6	0.49	4.3	0.59	4.9	0.70	5.2	0.77	5.5	0.83	6.1	0.96	6.8	1.11
	29	3.6	0.51	4.3	0.63	4.9	0.75	5.2	0.81	5.5	0.88	6.1	1.03	6.8	1.18
	31	3.6	0.55	4.3	0.67	4.9	0.80	5.2	0.87	5.5	0.94	6.1	1.09	6.8	1.26
	33	3.6	0.58	4.3	0.70	4.9	0.84	5.2	0.92	5.5	1.00	6.1	1.16	6.8	1.34
	35	3.6	0.61	4.3	0.75	4.9	0.89	5.2	0.98	5.5	1.06	6.1	1.24	6.8	1.43
	37	3.6	0.65	4.3	0.79	4.9	0.95	5.1	1.04	5.5	1.12	6.1	1.32	6.8	1.52
	39	3.6	0.68	4.3	0.84	4.9	1.01	5.1	1.10	5.5	1.19	6.1	1.40	6.8	1.62
41	3.5	0.77	4.1	0.94	4.7	1.13	5.0	1.13	5.3	1.23	5.9	1.44	6.5	1.66	
44	3.3	0.84	3.9	1.02	4.5	1.25	4.8	1.28	5.1	1.32	5.7	1.51	6.3	1.74	
47	3.1	1.12	3.8	1.36	4.3	1.32	4.6	1.30	4.9	1.41	5.5	1.62	6.1	1.87	
50	2.9	1.10	3.4	1.34	3.9	1.39	4.2	1.41	4.4	1.50	4.9	1.73	5.5	1.96	
52	2.3	0.92	2.6	1.13	3.0	1.18	3.2	1.28	3.5	1.36	4.0	1.55	4.5	1.71	

Dc Inverter Multi VRF System Technical Sales Guide

Combination	Outdoor air temp (°C DB)	Indoor air temp													
		14.0°C WB		16.0°C WB		18.0°C WB		19.0°C WB		20.0°C WB		22.0°C WB		24.0°C WB	
		20.0°C DB		23.0°C DB		26.0°C DB		27.0°C DB		28.0°C DB		30.0°C DB		32.0°C DB	
		TC	PI	TC	PI	TC	PI	TC	PI	TC	PI	TC	PI	TC	PI
		kW	kW	kW	kW	kW	kW	kW	kW	kW	kW	kW	kW	kW	
50%	-5	3.1	0.27	3.7	0.33	4.8	0.39	5.2	0.42	5.5	0.45	6.1	0.52	6.8	0.60
	0	3.1	0.27	3.7	0.33	4.8	0.39	5.2	0.42	5.5	0.45	6.1	0.52	6.8	0.60
	4	3.1	0.27	3.7	0.33	4.8	0.39	5.2	0.42	5.5	0.45	6.1	0.52	6.8	0.60
	7	3.1	0.28	3.7	0.33	4.8	0.39	5.2	0.43	5.5	0.46	6.1	0.53	6.7	0.61
	10	3.1	0.36	3.6	0.42	4.1	0.48	4.4	0.51	4.7	0.54	5.2	0.61	5.7	0.68
	12	3.1	0.36	3.6	0.42	4.1	0.49	4.4	0.51	4.7	0.55	5.2	0.62	5.7	0.69
	14	3.1	0.37	3.6	0.43	4.1	0.49	4.4	0.53	4.7	0.56	5.2	0.63	5.7	0.70
	16	3.1	0.37	3.6	0.43	4.1	0.50	4.4	0.53	4.7	0.57	5.2	0.64	5.7	0.71
	18	3.1	0.38	3.6	0.44	4.1	0.51	4.4	0.54	4.7	0.58	5.2	0.65	5.7	0.73
	20	3.1	0.39	3.6	0.45	4.1	0.51	4.4	0.55	4.7	0.59	5.2	0.66	5.7	0.74
	21	3.1	0.39	3.6	0.45	4.1	0.52	4.4	0.56	4.7	0.59	5.2	0.67	5.7	0.75
	23	3.1	0.39	3.6	0.46	4.1	0.53	4.4	0.57	4.7	0.60	5.2	0.68	5.7	0.76
	25	3.1	0.40	3.6	0.47	4.1	0.54	4.4	0.58	4.7	0.62	5.2	0.71	5.7	0.81
	27	3.1	0.41	3.6	0.49	4.1	0.57	4.4	0.61	4.7	0.66	5.2	0.76	5.7	0.87
	29	3.1	0.43	3.6	0.51	4.1	0.60	4.4	0.65	4.6	0.70	5.2	0.81	5.7	0.92
	31	3.1	0.45	3.6	0.54	4.1	0.64	4.4	0.69	4.6	0.75	5.2	0.86	5.7	0.98
	33	3.1	0.48	3.6	0.57	4.1	0.68	4.4	0.73	4.6	0.79	5.2	0.91	5.7	1.05
	35	3.1	0.51	3.6	0.61	4.1	0.72	4.4	0.78	4.6	0.84	5.2	0.97	5.7	1.11
	37	3.1	0.53	3.6	0.64	4.1	0.76	4.3	0.82	4.6	0.89	5.2	1.03	5.7	1.18
	39	3.1	0.56	3.6	0.68	4.1	0.80	4.3	0.87	4.6	0.94	5.2	1.09	5.7	1.25
41	3.0	0.64	3.5	0.76	4.0	0.90	4.2	0.90	4.4	0.97	5.0	1.13	5.5	1.29	
44	2.8	0.69	3.3	0.83	3.8	1.00	4.0	1.02	4.3	1.05	4.8	1.18	5.3	1.35	
47	2.6	0.92	3.2	1.11	3.7	1.05	3.9	1.03	4.1	1.11	4.6	1.27	5.1	1.45	
50	2.5	0.91	2.9	1.09	3.3	1.11	3.5	1.12	3.7	1.19	4.2	1.36	4.7	1.52	
52	2.0	0.77	2.3	0.92	2.6	0.95	2.8	1.02	2.9	1.07	3.4	1.21	3.9	1.33	

GMV-80WL/C-T

TC—Total capacity of outdoor unit; PI—Power input of outdoor unit

Combination	Outdoor air temp(°C DB)	Indoor air temp													
		14.0°C WB		16.0°C WB		18.0°C WB		19.0°C WB		20.0°C WB		22.0°C WB		24.0°C WB	
		20.0°C DB		23.0°C DB		26.0°C DB		27.0°C DB		28.0°C DB		30.0°C DB		32.0°C DB	
		TC	PI	TC	PI	TC	PI	TC	PI	TC	PI	TC	PI	TC	PI
		kW	kW	kW	kW	kW	kW	kW	kW	kW	kW	kW	kW	kW	
135%	-5	7.0	0.91	8.4	1.10	9.7	1.12	10.1	1.12	10.3	1.13	10.5	1.14	10.9	1.15
	0	7.0	0.91	8.4	1.11	9.7	1.12	10.1	1.13	10.3	1.13	10.5	1.14	10.9	1.16
	4	7.0	0.91	8.4	1.11	9.7	1.12	10.1	1.13	10.3	1.14	10.5	1.15	10.9	1.16
	7	7.0	0.93	8.4	1.13	9.7	1.14	10.1	1.15	10.3	1.16	10.5	1.17	10.7	1.18
	10	7.0	0.94	8.4	1.15	9.7	1.37	10.1	1.40	10.2	1.38	10.5	1.32	10.7	1.26
	12	7.0	0.96	8.4	1.18	9.7	1.40	9.9	1.40	10.1	1.37	10.3	1.31	10.6	1.29
	14	7.0	0.98	8.4	1.20	9.7	1.42	9.8	1.39	9.9	1.36	10.2	1.35	10.5	1.36
	16	7.0	1.00	8.4	1.22	9.6	1.41	9.7	1.40	9.8	1.41	10.1	1.42	10.3	1.43
	18	7.0	1.02	8.4	1.25	9.4	1.46	9.5	1.47	9.7	1.48	9.9	1.49	10.2	1.51
	20	7.0	1.04	8.4	1.33	9.3	1.54	9.4	1.54	9.5	1.55	9.8	1.57	10.1	1.58
	21	7.0	1.07	8.4	1.38	9.2	1.57	9.4	1.58	9.5	1.59	9.7	1.61	10.0	1.62
	23	7.0	1.14	8.4	1.48	9.1	1.64	9.2	1.65	9.3	1.66	9.6	1.68	9.9	1.69
	25	7.0	1.22	8.4	1.58	9.0	1.72	9.1	1.72	9.2	1.74	9.5	1.75	9.7	1.77
	27	7.0	1.30	8.4	1.69	8.9	1.51	9.0	1.80	9.1	1.81	9.3	1.83	9.6	1.85
	29	7.0	1.39	8.4	1.81	8.7	1.86	8.8	1.87	9.0	1.88	9.2	1.90	9.5	1.92
	31	7.0	1.49	8.3	1.91	8.6	1.93	8.7	1.95	8.8	1.95	9.1	1.98	9.3	2.00
	33	7.0	1.58	8.2	1.98	8.5	2.00	8.6	2.02	8.7	2.03	9.0	2.05	9.2	2.07
	35	7.0	1.69	8.1	2.06	8.3	2.08	8.5	2.09	8.6	2.10	8.8	2.13	9.1	2.15
	37	7.0	1.80	7.9	2.13	8.2	2.15	8.3	2.17	8.5	2.18	8.7	2.20	8.9	2.23
	39	7.0	1.91	7.8	2.20	8.1	2.23	8.2	2.24	8.3	2.25	8.6	2.28	8.8	2.31
41	6.6	2.13	7.7	2.59	7.9	2.62	8.0	2.43	8.2	2.44	8.4	2.47	8.7	2.49	
44	6.2	2.31	7.3	2.82	7.5	2.91	7.7	2.74	7.8	2.63	8.1	2.60	8.4	2.62	
47	5.8	3.08	7.0	3.75	7.3	3.06	7.4	2.78	7.5	2.80	7.8	2.79	8.1	2.82	
50	5.3	3.02	6.3	3.68	6.5	3.22	6.6	3.01	6.7	2.99	7.0	2.98	7.3	2.94	
52	4.0	2.55	4.7	3.10	4.9	2.75	5.0	2.74	5.1	2.69	5.6	2.66	5.9	2.58	

Dc Inverter Multi VRF System Technical Sales Guide

Combination	Outdoor air temp (°C DB)	Indoor air temp													
		14.0°C WB		16.0°C WB		18.0°C WB		19.0°C WB		20.0°C WB		22.0°C WB		24.0°C WB	
		20.0°C DB		23.0°C DB		26.0°C DB		27.0°C DB		28.0°C DB		30.0°C DB		32.0°C DB	
		TC	PI	TC	PI	TC	PI	TC	PI	TC	PI	TC	PI	TC	PI
	kW	kW	kW	kW	kW	kW	kW	kW	kW	kW	kW	kW	kW	kW	
120%	-5	6.5	0.81	8.0	1.04	9.5	1.11	9.9	1.12	10.1	1.12	10.3	1.13	10.6	1.15
	0	6.5	0.81	8.0	1.05	9.5	1.11	9.9	1.12	10.1	1.12	10.3	1.14	10.6	1.15
	4	6.5	0.81	8.0	1.05	9.5	1.12	9.9	1.12	10.1	1.13	10.3	1.14	10.6	1.15
	7	6.5	0.83	8.0	1.07	9.5	1.14	9.9	1.14	10.1	1.15	10.3	1.16	10.5	1.17
	10	6.5	0.86	7.7	1.05	9.0	1.25	9.6	1.35	10.1	1.41	10.3	1.36	10.5	1.30
	12	6.5	0.88	7.7	1.07	9.0	1.28	9.6	1.38	9.9	1.40	10.1	1.35	10.4	1.30
	14	6.5	0.90	7.7	1.09	9.0	1.30	9.6	1.41	9.8	1.40	10.0	1.34	10.3	1.35
	16	6.5	0.91	7.7	1.12	9.0	1.33	9.5	1.42	9.7	1.40	9.9	1.41	10.1	1.42
	18	6.5	0.93	7.7	1.14	9.0	1.37	9.4	1.46	9.5	1.47	9.7	1.48	10.0	1.50
	20	6.5	0.95	7.7	1.18	9.0	1.48	9.3	1.54	9.4	1.54	9.6	1.56	9.9	1.57
	21	6.5	0.96	7.7	1.22	9.0	1.53	9.2	1.57	9.3	1.58	9.6	1.59	9.8	1.61
	23	6.5	1.02	7.7	1.31	9.0	1.64	9.1	1.64	9.2	1.65	9.4	1.67	9.7	1.68
	25	6.5	1.09	7.7	1.40	8.8	1.71	8.9	1.71	9.1	1.72	9.3	1.74	9.5	1.75
	27	6.5	1.17	7.7	1.50	8.7	1.78	8.8	1.79	8.9	1.80	9.2	1.81	9.4	1.83
	29	6.5	1.24	7.7	1.60	8.6	1.85	8.7	1.86	8.8	1.87	9.0	1.89	9.3	1.90
	31	6.5	1.33	7.7	1.71	8.5	1.92	8.6	1.93	8.7	1.94	8.9	1.96	9.1	1.98
	33	6.5	1.41	7.7	1.83	8.3	1.99	8.4	2.01	8.5	2.01	8.8	2.04	9.0	2.06
	35	6.5	1.50	7.7	1.95	8.2	2.07	8.3	2.08	8.4	2.09	8.7	2.11	8.9	2.13
	37	6.5	1.60	7.7	2.07	8.1	2.14	8.2	2.15	8.3	2.16	8.5	2.19	8.7	2.21
	39	6.5	1.70	7.7	2.19	7.9	2.21	8.0	2.23	8.1	2.24	8.4	2.26	8.6	2.28
41	6.1	1.89	7.3	2.45	7.8	2.60	7.9	2.41	8.0	2.42	8.2	2.45	8.5	2.47	
44	5.7	2.06	6.9	2.66	7.4	2.89	7.5	2.72	7.7	2.61	7.9	2.58	8.2	2.60	
47	5.4	2.74	6.7	3.55	7.2	3.04	7.3	2.76	7.4	2.78	7.7	2.77	7.9	2.79	
50	4.9	2.69	6.0	3.48	6.4	3.20	6.5	2.99	6.6	2.97	6.8	2.96	7.1	2.92	
52	3.7	2.27	4.5	2.94	4.8	2.73	4.9	2.72	5.1	2.67	5.5	2.64	5.8	2.56	

Combination	Outdoor air temp (°C DB)	Indoor air temp													
		14.0°C WB		16.0°C WB		18.0°C WB		19.0°C WB		20.0°C WB		22.0°C WB		24.0°C WB	
		20.0°C DB		23.0°C DB		26.0°C DB		27.0°C DB		28.0°C DB		30.0°C DB		32.0°C DB	
		TC	PI	TC	PI	TC	PI	TC	PI	TC	PI	TC	PI	TC	PI
		kW	kW	kW	kW	kW	kW	kW	kW	kW	kW	kW	kW	kW	
110%	-5	5.9	0.71	7.4	0.92	9.4	1.10	9.7	1.11	9.9	1.11	10.1	1.12	10.4	1.13
	0	5.9	0.71	7.4	0.92	9.4	1.10	9.7	1.11	9.9	1.12	10.1	1.13	10.4	1.14
	4	5.9	0.72	7.4	0.92	9.4	1.11	9.7	1.11	9.9	1.12	10.1	1.13	10.4	1.14
	7	5.9	0.73	7.4	0.94	9.4	1.13	9.7	1.14	9.9	1.14	10.0	1.15	10.2	1.16
	10	5.9	0.78	7.1	0.95	8.2	1.13	8.8	1.22	9.4	1.32	10.1	1.40	10.3	1.35
	12	5.9	0.80	7.1	0.97	8.2	1.15	8.8	1.25	9.4	1.34	10.0	1.39	10.2	1.34
	14	5.9	0.81	7.1	0.99	8.2	1.18	8.8	1.27	9.4	1.37	9.8	1.39	10.1	1.34
	16	5.9	0.83	7.1	1.01	8.2	1.20	8.8	1.30	9.4	1.40	9.7	1.40	9.9	1.41
	18	5.9	0.84	7.1	1.03	8.2	1.22	8.8	1.33	9.4	1.46	9.6	1.47	9.8	1.49
	20	5.9	0.86	7.1	1.05	8.2	1.30	8.8	1.43	9.2	1.53	9.5	1.54	9.7	1.56
	21	5.9	0.87	7.1	1.08	8.2	1.34	8.8	1.48	9.2	1.57	9.4	1.58	9.6	1.59
	23	5.9	0.91	7.1	1.16	8.2	1.44	8.8	1.59	9.0	1.64	9.3	1.65	9.5	1.67
	25	5.9	0.97	7.1	1.24	8.2	1.54	8.8	1.70	8.9	1.71	9.1	1.73	9.3	1.74
	27	5.9	1.03	7.1	1.32	8.2	1.65	8.7	1.78	8.8	1.78	9.0	1.80	9.2	1.82
	29	5.9	1.10	7.1	1.41	8.2	1.76	8.5	1.85	8.7	1.86	8.9	1.87	9.1	1.89
	31	5.9	1.17	7.1	1.51	8.2	1.88	8.4	1.92	8.5	1.93	8.7	1.95	8.9	1.96
	33	5.9	1.25	7.1	1.61	8.2	1.98	8.3	1.99	8.4	2.00	8.6	2.02	8.8	2.04
	35	5.9	1.33	7.1	1.71	8.1	2.05	8.1	2.06	8.3	2.07	8.5	2.09	8.7	2.11
	37	5.9	1.41	7.1	1.82	7.9	2.13	8.0	2.14	8.1	2.15	8.3	2.17	8.5	2.19
	39	5.9	1.50	7.1	1.94	7.8	2.20	7.9	2.21	8.0	2.22	8.2	2.24	8.4	2.27
41	5.6	1.67	6.7	2.15	7.7	2.59	7.7	2.39	7.9	2.41	8.1	2.43	8.3	2.45	
44	5.2	1.82	6.4	2.34	7.3	2.87	7.4	2.70	7.5	2.59	7.7	2.55	8.0	2.58	
47	4.9	2.42	6.2	3.12	7.1	3.02	7.1	2.74	7.3	2.76	7.5	2.74	7.7	2.77	
50	4.5	2.38	5.5	3.06	6.3	3.18	6.4	2.97	6.5	2.95	6.7	2.93	6.9	2.90	
52	3.4	2.01	4.1	2.58	4.7	2.71	4.8	2.70	5.0	2.66	5.3	2.62	5.6	2.54	

Dc Inverter Multi VRF System Technical Sales Guide

Combination	Outdoor air temp (°C DB)	Indoor air temp													
		14.0°C WB		16.0°C WB		18.0°C WB		19.0°C WB		20.0°C WB		22.0°C WB		24.0°C WB	
		20.0°C DB		23.0°C DB		26.0°C DB		27.0°C DB		28.0°C DB		30.0°C DB		32.0°C DB	
		TC	PI	TC	PI	TC	PI	TC	PI	TC	PI	TC	PI	TC	PI
		kW	kW	kW	kW	kW	kW	kW	kW	kW	kW	kW	kW	kW	
100%	-5	5.4	0.62	6.7	0.80	8.7	1.00	9.5	1.10	9.7	1.11	9.9	1.12	10.1	1.13
	0	5.4	0.63	6.7	0.80	8.7	1.00	9.5	1.10	9.7	1.11	9.9	1.12	10.1	1.13
	4	5.4	0.63	6.7	0.80	8.7	1.00	9.5	1.11	9.7	1.11	9.9	1.12	10.1	1.13
	7	5.4	0.64	6.7	0.82	8.7	1.02	9.5	1.13	9.7	1.13	9.8	1.14	10.0	1.15
	10	5.4	0.71	6.4	0.86	7.5	1.02	8.0	1.10	8.5	1.19	9.6	1.34	10.1	1.39
	12	5.4	0.72	6.4	0.87	7.5	1.03	8.0	1.11	8.5	1.21	9.6	1.36	10.0	1.38
	14	5.4	0.73	6.4	0.89	7.5	1.05	8.0	1.13	8.5	1.23	9.6	1.39	9.9	1.37
	16	5.4	0.75	6.4	0.91	7.5	1.07	8.0	1.16	8.5	1.26	9.5	1.42	9.7	1.40
	18	5.4	0.76	6.4	0.93	7.5	1.09	8.0	1.18	8.5	1.28	9.4	1.45	9.6	1.47
	20	5.4	0.77	6.4	0.94	7.5	1.13	8.0	1.24	8.5	1.36	9.3	1.52	9.5	1.55
	21	5.4	0.78	6.4	0.95	7.5	1.17	8.0	1.28	8.5	1.41	9.2	1.57	9.4	1.59
	23	5.4	0.80	6.4	1.01	7.5	1.25	8.0	1.38	8.5	1.52	9.1	1.67	9.3	1.68
	25	5.4	0.85	6.4	1.08	7.5	1.33	8.0	1.47	8.5	1.62	8.9	1.73	9.1	1.74
	27	5.4	0.91	6.4	1.15	7.5	1.43	8.0	1.58	8.5	1.74	8.8	1.79	9.0	1.80
	29	5.4	0.97	6.4	1.23	7.5	1.53	8.0	1.69	8.5	1.84	8.7	1.87	8.9	1.89
	31	5.4	1.03	6.4	1.31	7.5	1.63	8.0	1.82	8.4	1.92	8.5	1.95	8.7	1.97
	33	5.4	1.09	6.4	1.40	7.5	1.74	8.0	1.92	8.2	1.99	8.4	2.01	8.6	2.02
	35	5.4	1.16	6.4	1.49	7.5	1.86	8.0	2.1	8.1	2.06	8.3	2.08	8.5	2.10
	37	5.4	1.24	6.4	1.58	7.5	1.98	7.9	2.1	8.0	2.13	8.2	2.15	8.4	2.17
	39	5.4	1.32	6.4	1.69	7.5	2.10	7.8	2.19	7.8	2.20	8.1	2.22	8.2	2.24
41	5.1	1.46	6.1	1.87	7.1	2.34	7.6	2.38	7.7	2.39	7.9	2.41	8.1	2.43	
44	4.8	1.59	5.8	2.04	6.8	2.60	7.3	2.69	7.4	2.58	7.6	2.54	7.8	2.56	
47	4.5	2.12	5.6	2.71	6.5	2.73	7.0	2.73	7.1	2.74	7.3	2.72	7.5	2.75	
50	4.1	2.08	5.0	2.66	5.8	2.88	6.3	2.95	6.3	2.93	6.5	2.91	6.8	2.87	
52	3.1	1.75	3.7	2.25	4.4	2.45	4.7	2.69	4.9	2.64	5.2	2.60	5.5	2.52	

Combination	Outdoor air temp (°C DB)	Indoor air temp													
		14.0°C WB		16.0°C WB		18.0°C WB		19.0°C WB		20.0°C WB		22.0°C WB		24.0°C WB	
		20.0°C DB		23.0°C DB		26.0°C DB		27.0°C DB		28.0°C DB		30.0°C DB		32.0°C DB	
		TC	PI	TC	PI	TC	PI	TC	PI	TC	PI	TC	PI	TC	PI
		kW	kW	kW	kW	kW	kW	kW	kW	kW	kW	kW	kW	kW	
90%	-5	5.3	0.54	6.4	0.69	8.3	0.85	9.0	0.94	9.6	1.03	10.1	1.11	10.3	1.12
	0	5.3	0.55	6.4	0.69	8.3	0.85	9.0	0.94	9.6	1.04	10.1	1.11	10.3	1.12
	4	5.3	0.55	6.4	0.69	8.3	0.86	9.0	0.95	9.6	1.04	10.1	1.11	10.3	1.12
	7	5.3	0.56	6.4	0.71	8.3	0.87	9.0	0.96	9.6	1.06	10.0	1.13	10.2	1.14
	10	5.3	0.62	6.2	0.74	7.1	0.87	7.6	0.98	8.1	1.04	9.0	1.19	9.9	1.35
	12	5.3	0.63	6.2	0.75	7.1	0.88	7.6	0.99	8.1	1.06	9.0	1.21	9.9	1.37
	14	5.3	0.64	6.2	0.76	7.1	0.89	7.6	1.01	8.1	1.08	9.0	1.23	9.9	1.39
	16	5.3	0.65	6.2	0.78	7.1	0.91	7.6	1.03	8.1	1.10	9.0	1.26	9.9	1.42
	18	5.3	0.66	6.2	0.80	7.1	0.93	7.6	1.05	8.1	1.13	9.0	1.29	9.8	1.47
	20	5.3	0.68	6.2	0.81	7.1	0.96	7.6	1.07	8.1	1.17	9.0	1.39	9.7	1.53
	21	5.3	0.68	6.2	0.82	7.1	1.00	7.6	1.11	8.1	1.21	9.0	1.43	9.6	1.57
	23	5.3	0.70	6.2	0.88	7.1	1.07	7.6	1.19	8.1	1.30	9.0	1.54	9.5	1.65
	25	5.3	0.74	6.2	0.93	7.1	1.14	7.6	1.27	8.1	1.39	9.0	1.65	9.3	1.71
	27	5.3	0.79	6.2	0.99	7.1	1.22	7.6	1.35	8.1	1.49	9.0	1.76	9.2	1.79
	29	5.3	0.84	6.2	1.06	7.1	1.31	7.6	1.45	8.1	1.59	8.9	1.84	9.1	1.86
	31	5.3	0.90	6.2	1.13	7.1	1.39	7.6	1.54	8.1	1.69	8.8	1.91	8.9	1.94
	33	5.3	0.95	6.2	1.21	7.1	1.49	7.6	1.64	8.1	1.80	8.7	1.99	8.8	2.01
	35	5.3	1.01	6.2	1.28	7.1	1.58	7.6	1.75	8.1	1.93	8.5	2.06	8.7	2.08
	37	5.3	1.08	6.2	1.37	7.1	1.69	7.5	1.81	8.1	2.06	8.4	2.13	8.6	2.13
	39	5.3	1.15	6.2	1.46	7.1	1.80	7.4	1.87	8.1	2.18	8.3	2.21	8.4	2.21
41	5.0	1.28	5.9	1.62	6.8	2.00	7.2	2.03	7.7	2.23	8.1	2.39	8.3	2.41	
44	4.7	1.39	5.6	1.76	6.5	2.22	7.0	2.29	7.4	2.41	7.8	2.51	8.0	2.54	
47	4.4	1.85	5.4	2.34	6.3	2.33	6.7	2.33	7.1	2.56	7.6	2.70	7.8	2.72	
50	4.1	1.81	4.9	2.30	5.7	2.46	6.0	2.52	6.4	2.73	6.8	2.88	7.0	2.85	
52	3.2	1.53	3.8	1.94	4.3	2.09	4.6	2.29	5.0	2.46	5.5	2.58	5.8	2.49	

Dc Inverter Multi VRF System Technical Sales Guide

Combination	Outdoor air temp (°C DB)	Indoor air temp													
		14.0°C WB		16.0°C WB		18.0°C WB		19.0°C WB		20.0°C WB		22.0°C WB		24.0°C WB	
		20.0°C DB		23.0°C DB		26.0°C DB		27.0°C DB		28.0°C DB		30.0°C DB		32.0°C DB	
		TC	PI	TC	PI	TC	PI	TC	PI	TC	PI	TC	PI	TC	PI
		kW	kW	kW	kW	kW	kW	kW	kW	kW	kW	kW	kW	kW	
80%	-5	4.7	0.47	5.7	0.58	7.4	0.72	8.0	0.79	8.5	0.87	9.5	1.03	10.1	1.10
	0	4.7	0.47	5.7	0.58	7.4	0.72	8.0	0.80	8.5	0.87	9.5	1.03	10.1	1.11
	4	4.7	0.47	5.7	0.58	7.4	0.73	8.0	0.80	8.5	0.87	9.5	1.04	10.1	1.11
	7	4.7	0.48	5.7	0.59	7.4	0.74	8.0	0.81	8.5	0.89	9.5	1.05	9.9	1.13
	10	4.7	0.56	5.5	0.67	6.4	0.79	6.8	0.85	7.2	0.91	8.1	1.04	8.9	1.21
	12	4.7	0.57	5.5	0.68	6.4	0.80	6.8	0.87	7.2	0.93	8.1	1.06	8.9	1.20
	14	4.7	0.58	5.5	0.70	6.4	0.82	6.8	0.88	7.2	0.95	8.1	1.08	8.9	1.23
	16	4.7	0.59	5.5	0.71	6.4	0.83	6.8	0.90	7.2	0.96	8.1	1.10	8.9	1.27
	18	4.7	0.60	5.5	0.72	6.4	0.85	6.8	0.92	7.2	0.98	8.1	1.13	8.9	1.36
	20	4.7	0.61	5.5	0.73	6.4	0.87	6.8	0.93	7.2	1.00	8.1	1.17	8.9	1.41
	21	4.7	0.62	5.5	0.74	6.4	0.88	6.8	0.94	7.2	1.02	8.1	1.21	8.9	1.51
	23	4.7	0.63	5.5	0.76	6.4	0.92	6.8	1.01	7.2	1.09	8.1	1.29	8.9	1.61
	25	4.7	0.65	5.5	0.80	6.4	0.98	6.8	1.07	7.2	1.17	8.1	1.39	8.9	1.72
	27	4.7	0.69	5.5	0.86	6.4	1.04	6.8	1.15	7.2	1.25	8.1	1.48	8.9	1.78
	29	4.7	0.73	5.5	0.91	6.4	1.11	6.8	1.22	7.2	1.34	8.1	1.58	8.9	1.85
	31	4.7	0.78	5.5	0.97	6.4	1.19	6.8	1.30	7.2	1.42	8.1	1.68	8.7	1.91
	33	4.7	0.83	5.5	1.08	6.4	1.26	6.8	1.39	7.2	1.52	8.1	1.80	8.6	1.98
	35	4.7	0.88	5.5	1.08	6.4	1.34	6.8	1.48	7.2	1.62	8.1	1.92	8.5	2.05
	37	4.7	0.93	5.5	1.16	6.4	1.43	6.7	1.57	7.2	1.72	8.1	2.04	8.4	2.13
	39	4.7	0.98	5.5	1.23	6.4	1.52	6.6	1.68	7.2	1.83	8.1	2.17	8.2	2.21
41	4.5	1.10	5.3	1.36	6.1	1.69	6.5	1.71	6.9	1.87	7.7	2.22	8.1	2.38	
44	4.2	1.20	5.0	1.48	5.8	1.88	6.2	1.94	6.6	2.02	7.4	2.34	7.8	2.51	
47	4.0	1.60	4.9	1.97	5.6	1.97	6.0	1.97	6.4	2.15	7.2	2.51	7.6	2.69	
50	3.7	1.57	4.4	1.93	5.1	2.08	5.4	2.13	5.7	2.29	6.4	2.68	6.9	2.81	
52	2.9	1.32	3.4	1.63	3.9	1.77	4.2	1.94	4.5	2.07	5.2	2.40	5.7	2.47	

Combination	Outdoor air temp (°C DB)	Indoor air temp													
		14.0°C WB		16.0°C WB		18.0°C WB		19.0°C WB		20.0°C WB		22.0°C WB		24.0°C WB	
		20.0°C DB		23.0°C DB		26.0°C DB		27.0°C DB		28.0°C DB		30.0°C DB		32.0°C DB	
		TC	PI	TC	PI	TC	PI	TC	PI	TC	PI	TC	PI	TC	PI
		kW	kW	kW	kW	kW	kW	kW	kW	kW	kW	kW	kW	kW	
70%	-5	4.2	0.40	5.1	0.50	6.5	0.60	7.1	0.66	7.6	0.72	8.4	0.85	9.3	0.98
	0	4.2	0.40	5.1	0.50	6.5	0.60	7.1	0.66	7.6	0.72	8.4	0.85	9.3	0.99
	4	4.2	0.40	5.1	0.50	6.5	0.60	7.1	0.66	7.6	0.72	8.4	0.85	9.3	0.99
	7	4.2	0.41	5.1	0.51	6.5	0.62	7.1	0.67	7.6	0.74	8.3	0.87	9.2	1.01
	10	4.2	0.49	4.9	0.59	5.6	0.68	6.0	0.73	6.4	0.79	7.1	0.90	7.8	1.01
	12	4.2	0.50	4.9	0.59	5.6	0.70	6.0	0.75	6.4	0.80	7.1	0.91	7.8	1.03
	14	4.2	0.51	4.9	0.61	5.6	0.71	6.0	0.76	6.4	0.82	7.1	0.93	7.8	1.04
	16	4.2	0.52	4.9	0.62	5.6	0.72	6.0	0.78	6.4	0.83	7.1	0.94	7.8	1.06
	18	4.2	0.52	4.9	0.63	5.6	0.73	6.0	0.79	6.4	0.85	7.1	0.96	7.8	1.09
	20	4.2	0.53	4.9	0.64	5.6	0.75	6.0	0.80	6.4	0.86	7.1	0.98	7.8	1.12
	21	4.2	0.54	4.9	0.64	5.6	0.75	6.0	0.81	6.4	0.87	7.1	0.99	7.8	1.15
	23	4.2	0.55	4.9	0.65	5.6	0.77	6.0	0.84	6.4	0.91	7.1	1.07	7.8	1.24
	25	4.2	0.56	4.9	0.68	5.6	0.82	6.0	0.90	6.4	0.98	7.1	1.14	7.8	1.32
	27	4.2	0.59	4.9	0.73	5.6	0.88	6.0	0.96	6.4	1.04	7.1	1.22	7.8	1.41
	29	4.2	0.63	4.9	0.77	5.6	0.93	6.0	1.02	6.4	1.11	7.1	1.30	7.8	1.51
	31	4.2	0.66	4.9	0.82	5.6	0.99	6.0	1.08	6.4	1.18	7.1	1.39	7.8	1.61
	33	4.2	0.70	4.9	0.87	5.6	1.06	6.0	1.15	6.4	1.26	7.1	1.48	7.8	1.72
	35	4.2	0.75	4.9	0.92	5.6	1.12	6.0	1.23	6.4	1.34	7.1	1.57	7.8	1.83
	37	4.2	0.79	4.9	0.98	5.6	1.19	5.9	1.30	6.4	1.42	7.1	1.68	7.8	1.95
	39	4.2	0.83	4.9	1.04	5.6	1.26	5.8	1.38	6.4	1.51	7.1	1.78	7.8	2.08
41	4.0	0.94	4.7	1.16	5.4	1.41	5.7	1.42	6.1	1.55	6.8	1.83	7.5	2.12	
44	3.7	1.02	4.4	1.26	5.1	1.57	5.5	1.61	5.8	1.67	6.5	1.92	7.2	2.23	
47	3.5	1.36	4.3	1.68	5.0	1.64	5.3	1.63	5.6	1.78	6.3	2.06	7.0	2.40	
50	3.3	1.34	3.9	1.65	4.5	1.73	4.8	1.77	5.1	1.90	5.7	2.20	6.3	2.51	
52	2.6	1.13	3.0	1.39	3.5	1.48	3.7	1.61	4.0	1.71	4.6	1.97	5.2	2.20	

Dc Inverter Multi VRF System Technical Sales Guide

Combination	Outdoor air temp (°C DB)	Indoor air temp													
		14.0°C WB		16.0°C WB		18.0°C WB		19.0°C WB		20.0°C WB		22.0°C WB		24.0°C WB	
		20.0°C DB		23.0°C DB		26.0°C DB		27.0°C DB		28.0°C DB		30.0°C DB		32.0°C DB	
		TC	PI	TC	PI	TC	PI	TC	PI	TC	PI	TC	PI	TC	PI
	kW	kW	kW	kW	kW	kW	kW	kW	kW	kW	kW	kW	kW	kW	
60%	-5	3.6	0.34	4.4	0.41	5.6	0.49	6.1	0.54	6.5	0.58	7.3	0.68	8.0	0.79
	0	3.6	0.34	4.4	0.41	5.6	0.49	6.1	0.54	6.5	0.58	7.3	0.68	8.0	0.79
	4	3.6	0.34	4.4	0.41	5.6	0.50	6.1	0.54	6.5	0.59	7.3	0.68	8.0	0.79
	7	3.6	0.34	4.4	0.42	5.6	0.50	6.1	0.55	6.5	0.60	7.2	0.70	7.9	0.81
	10	3.6	0.43	4.3	0.50	4.9	0.58	5.2	0.62	5.5	0.67	6.1	0.75	6.8	0.85
	12	3.6	0.44	4.3	0.51	4.9	0.59	5.2	0.64	5.5	0.68	6.1	0.77	6.8	0.86
	14	3.6	0.44	4.3	0.52	4.9	0.60	5.2	0.65	5.5	0.69	6.1	0.78	6.8	0.88
	16	3.6	0.45	4.3	0.53	4.9	0.61	5.2	0.66	5.5	0.70	6.1	0.80	6.8	0.89
	18	3.6	0.46	4.3	0.54	4.9	0.62	5.2	0.67	5.5	0.72	6.1	0.81	6.8	0.91
	20	3.6	0.46	4.3	0.55	4.9	0.64	5.2	0.68	5.5	0.73	6.1	0.83	6.8	0.93
	21	3.6	0.47	4.3	0.55	4.9	0.64	5.2	0.69	5.5	0.73	6.1	0.83	6.8	0.94
	23	3.6	0.47	4.3	0.56	4.9	0.65	5.2	0.70	5.5	0.75	6.1	0.87	6.8	1.00
	25	3.6	0.48	4.3	0.57	4.9	0.68	5.2	0.73	5.5	0.80	6.1	0.93	6.8	1.06
	27	3.6	0.50	4.3	0.61	4.9	0.72	5.2	0.78	5.5	0.85	6.1	0.99	6.8	1.14
	29	3.6	0.53	4.3	0.64	4.9	0.77	5.2	0.83	5.5	0.90	6.1	1.05	6.8	1.21
	31	3.6	0.56	4.3	0.68	4.9	0.82	5.2	0.89	5.5	0.96	6.1	1.12	6.8	1.29
	33	3.6	0.59	4.3	0.72	4.9	0.86	5.2	0.94	5.5	1.02	6.1	1.19	6.8	1.38
	35	3.6	0.63	4.3	0.77	4.9	0.92	5.2	1.00	5.5	1.09	6.1	1.27	6.8	1.46
	37	3.6	0.66	4.3	0.81	4.9	0.97	5.1	1.06	5.5	1.15	6.1	1.35	6.8	1.56
	39	3.6	0.70	4.3	0.86	4.9	1.03	5.1	1.12	5.5	1.22	6.1	1.43	6.8	1.66
41	3.5	0.79	4.1	0.96	4.7	1.16	5.0	1.16	5.3	1.26	5.9	1.47	6.5	1.70	
44	3.3	0.86	3.9	1.05	4.5	1.28	4.8	1.31	5.1	1.36	5.7	1.55	6.3	1.79	
47	3.1	1.14	3.8	1.40	4.3	1.35	4.6	1.33	4.9	1.44	5.5	1.66	6.1	1.92	
50	2.9	1.12	3.4	1.37	3.9	1.42	4.2	1.44	4.4	1.54	4.9	1.78	5.5	2.01	
52	2.3	0.95	2.6	1.16	3.0	1.21	3.2	1.31	3.5	1.39	4.0	1.59	4.5	1.76	

Combination	Outdoor air temp (°C DB)	Indoor air temp													
		14.0°C WB		16.0°C WB		18.0°C WB		19.0°C WB		20.0°C WB		22.0°C WB		24.0°C WB	
		20.0°C DB		23.0°C DB		26.0°C DB		27.0°C DB		28.0°C DB		30.0°C DB		32.0°C DB	
		TC	PI	TC	PI	TC	PI	TC	PI	TC	PI	TC	PI	TC	PI
		kW	kW	kW	kW	kW	kW	kW	kW	kW	kW	kW	kW	kW	
50%	-5	3.1	0.28	3.7	0.33	4.8	0.39	5.2	0.43	5.5	0.46	6.1	0.53	6.8	0.61
	0	3.1	0.28	3.7	0.33	4.8	0.40	5.2	0.43	5.5	0.46	6.1	0.54	6.8	0.61
	4	3.1	0.28	3.7	0.34	4.8	0.40	5.2	0.43	5.5	0.46	6.1	0.54	6.8	0.61
	7	3.1	0.29	3.7	0.34	4.8	0.40	5.2	0.44	5.5	0.47	6.1	0.55	6.7	0.63
	10	3.1	0.37	3.6	0.43	4.1	0.49	4.4	0.52	4.7	0.55	5.2	0.62	5.7	0.69
	12	3.1	0.37	3.6	0.43	4.1	0.50	4.4	0.53	4.7	0.56	5.2	0.63	5.7	0.70
	14	3.1	0.38	3.6	0.44	4.1	0.50	4.4	0.54	4.7	0.57	5.2	0.64	5.7	0.72
	16	3.1	0.38	3.6	0.44	4.1	0.51	4.4	0.55	4.7	0.58	5.2	0.65	5.7	0.73
	18	3.1	0.39	3.6	0.45	4.1	0.52	4.4	0.56	4.7	0.59	5.2	0.67	5.7	0.74
	20	3.1	0.40	3.6	0.46	4.1	0.53	4.4	0.57	4.7	0.60	5.2	0.68	5.7	0.76
	21	3.1	0.40	3.6	0.46	4.1	0.53	4.4	0.57	4.7	0.61	5.2	0.69	5.7	0.77
	23	3.1	0.40	3.6	0.47	4.1	0.54	4.4	0.58	4.7	0.62	5.2	0.70	5.7	0.78
	25	3.1	0.41	3.6	0.48	4.1	0.55	4.4	0.59	4.7	0.64	5.2	0.73	5.7	0.83
	27	3.1	0.42	3.6	0.50	4.1	0.58	4.4	0.63	4.7	0.68	5.2	0.78	5.7	0.89
	29	3.1	0.44	3.6	0.52	4.1	0.62	4.4	0.67	4.6	0.72	5.2	0.83	5.7	0.95
	31	3.1	0.46	3.6	0.56	4.1	0.66	4.4	0.71	4.6	0.77	5.2	0.88	5.7	1.01
	33	3.1	0.49	3.6	0.59	4.1	0.70	4.4	0.75	4.6	0.81	5.2	0.94	5.7	1.07
	35	3.1	0.52	3.6	0.62	4.1	0.73	4.4	0.80	4.6	0.86	5.2	0.99	5.7	1.14
	37	3.1	0.55	3.6	0.66	4.1	0.78	4.3	0.84	4.6	0.91	5.2	1.06	5.7	1.21
	39	3.1	0.58	3.6	0.69	4.1	0.82	4.3	0.89	4.6	0.97	5.2	1.12	5.7	1.28
41	3.0	0.65	3.5	0.78	4.0	0.93	4.2	0.92	4.4	1.00	5.0	1.15	5.5	1.32	
44	2.8	0.71	3.3	0.85	3.8	1.03	4.0	1.04	4.3	1.07	4.8	1.21	5.3	1.39	
47	2.6	0.95	3.2	1.13	3.7	1.08	3.9	1.06	4.1	1.14	4.6	1.30	5.1	1.49	
50	2.5	0.93	2.9	1.11	3.3	1.14	3.5	1.15	3.7	1.22	4.2	1.39	4.7	1.56	
52	2.0	0.78	2.3	0.94	2.6	0.97	2.8	1.04	2.9	1.10	3.4	1.24	3.9	1.37	

Dc Inverter Multi VRF System Technical Sales Guide

GMV-100WL/A-T

TC—Total capacity of outdoor unit; PI—Power input of outdoor unit

Combination	Outdoor air temp(°C DB)	Indoor air temp													
		14.0°C WB		16.0°C WB		18.0°C WB		19.0°C WB		20.0°C WB		22.0°C WB		24.0°C WB	
		20.0°C DB		23.0°C DB		26.0°C DB		27.0°C DB		28.0°C DB		30.0°C DB		32.0°C DB	
		TC	PI	TC	PI	TC	PI	TC	PI	TC	PI	TC	PI	TC	PI
		kW	kW	kW	kW	kW	kW	kW	kW	kW	kW	kW	kW	kW	
135%	-5	8.8	1.19	10.5	1.45	12.1	1.47	12.6	1.48	12.9	1.49	13.2	1.50	13.6	1.52
	0	8.8	1.20	10.5	1.46	12.1	1.47	12.6	1.48	12.9	1.49	13.2	1.51	13.6	1.52
	4	8.8	1.20	10.5	1.46	12.1	1.48	12.6	1.49	12.9	1.50	13.2	1.51	13.6	1.53
	7	8.8	1.22	10.5	1.49	12.1	1.51	12.6	1.52	12.9	1.52	13.1	1.54	13.4	1.56
	10	8.8	1.24	10.5	1.52	12.1	1.81	12.6	1.85	12.8	1.81	13.1	1.74	13.4	1.66
	12	8.8	1.27	10.5	1.55	12.1	1.84	12.4	1.84	12.6	1.80	12.9	1.72	13.2	1.70
	14	8.8	1.29	10.5	1.58	12.1	1.87	12.3	1.83	12.4	1.79	12.8	1.78	13.1	1.79
	16	8.8	1.31	10.5	1.61	12.0	1.86	12.1	1.84	12.3	1.85	12.6	1.87	12.9	1.89
	18	8.8	1.34	10.5	1.64	11.8	1.93	11.9	1.94	12.1	1.95	12.4	1.97	12.8	1.99
	20	8.8	1.37	10.5	1.75	11.6	2.02	11.8	2.03	11.9	2.05	12.3	2.06	12.6	2.09
	21	8.8	1.40	10.5	1.81	11.5	2.07	11.7	2.08	11.9	2.09	12.2	2.11	12.5	2.13
	23	8.8	1.51	10.5	1.94	11.4	2.17	11.5	2.18	11.7	2.19	12.0	2.21	12.3	2.23
	25	8.8	1.61	10.5	2.08	11.2	2.26	11.4	2.27	11.5	2.29	11.9	2.31	12.2	2.33
	27	8.8	1.72	10.5	2.23	11.1	1.99	11.2	2.37	11.4	2.38	11.7	2.41	12.0	2.43
	29	8.8	1.83	10.5	2.38	10.9	2.45	11.0	2.46	11.2	2.48	11.5	2.50	11.9	2.53
	31	8.8	1.96	10.4	2.52	10.7	2.55	10.9	2.56	11.0	2.57	11.4	2.60	11.7	2.63
	33	8.8	2.09	10.3	2.61	10.6	2.64	10.7	2.66	10.9	2.67	11.2	2.70	11.5	2.73
	35	8.8	2.22	10.1	2.71	10.4	2.74	10.6	2.75	10.7	2.77	11.0	2.80	11.4	2.83
	37	8.8	2.37	9.9	2.81	10.3	2.84	10.4	2.85	10.6	2.87	10.9	2.90	11.2	2.94
	39	8.8	2.52	9.8	2.90	10.1	2.93	10.3	2.95	10.4	2.97	10.7	3.00	11.0	3.04
41	8.3	2.80	9.6	3.41	9.9	3.45	10.0	3.20	10.2	3.21	10.5	3.25	10.8	3.28	
44	7.7	3.05	9.1	3.71	9.4	3.84	9.6	3.61	9.8	3.46	10.1	3.42	10.4	3.45	
47	7.3	4.05	8.8	4.94	9.1	4.03	9.3	3.66	9.4	3.68	9.8	3.67	10.1	3.71	
50	6.7	3.98	7.9	4.85	8.1	4.25	8.3	3.97	8.4	3.93	8.7	3.92	9.1	3.88	
52	5.1	3.36	5.8	4.09	6.1	3.62	6.2	3.61	6.4	3.54	7.0	3.50	7.4	3.40	

Combination	Outdoor air temp (°C DB)	Indoor air temp													
		14.0°C WB		16.0°C WB		18.0°C WB		19.0°C WB		20.0°C WB		22.0°C WB		24.0°C WB	
		20.0°C DB		23.0°C DB		26.0°C DB		27.0°C DB		28.0°C DB		30.0°C DB		32.0°C DB	
		TC	PI	TC	PI	TC	PI	TC	PI	TC	PI	TC	PI	TC	PI
	kW	kW	kW	kW	kW	kW	kW	kW	kW	kW	kW	kW	kW	kW	
120%	-5	8.1	1.06	10.0	1.38	11.9	1.46	12.4	1.47	12.6	1.48	12.9	1.49	13.3	1.51
	0	8.1	1.06	10.0	1.38	11.9	1.46	12.4	1.47	12.6	1.48	12.9	1.50	13.3	1.51
	4	8.1	1.07	10.0	1.38	11.9	1.47	12.4	1.48	12.6	1.49	12.9	1.50	13.3	1.52
	7	8.1	1.09	10.0	1.41	11.9	1.50	12.4	1.51	12.6	1.51	12.8	1.53	13.1	1.55
	10	8.1	1.14	9.6	1.39	11.2	1.65	12.0	1.78	12.6	1.86	12.9	1.79	13.1	1.72
	12	8.1	1.16	9.6	1.41	11.2	1.68	12.0	1.82	12.4	1.85	12.7	1.78	13.0	1.71
	14	8.1	1.18	9.6	1.44	11.2	1.71	12.0	1.85	12.2	1.84	12.5	1.77	12.8	1.78
	16	8.1	1.20	9.6	1.47	11.2	1.75	11.9	1.87	12.1	1.84	12.4	1.86	12.6	1.87
	18	8.1	1.22	9.6	1.50	11.2	1.81	11.8	1.93	11.9	1.94	12.2	1.95	12.5	1.97
	20	8.1	1.25	9.6	1.56	11.2	1.94	11.6	2.02	11.8	2.03	12.0	2.05	12.3	2.07
	21	8.1	1.26	9.6	1.61	11.2	2.01	11.5	2.07	11.6	2.08	12.0	2.10	12.3	2.12
	23	8.1	1.35	9.6	1.73	11.2	2.15	11.4	2.16	11.5	2.17	11.8	2.19	12.1	2.21
	25	8.1	1.44	9.6	1.85	11.0	2.25	11.2	2.26	11.3	2.27	11.6	2.29	11.9	2.31
	27	8.1	1.54	9.6	1.98	10.9	2.34	11.0	2.35	11.2	2.37	11.5	2.39	11.8	2.41
	29	8.1	1.64	9.6	2.11	10.7	2.43	10.9	2.45	11.0	2.46	11.3	2.49	11.6	2.51
	31	8.1	1.75	9.6	2.25	10.6	2.53	10.7	2.54	10.9	2.56	11.1	2.58	11.4	2.61
	33	8.1	1.86	9.6	2.41	10.4	2.63	10.5	2.64	10.7	2.65	11.0	2.68	11.3	2.71
	35	8.1	1.98	9.6	2.56	10.2	2.72	10.4	2.74	10.5	2.75	10.8	2.78	11.1	2.81
	37	8.1	2.11	9.6	2.73	10.1	2.82	10.2	2.83	10.4	2.85	10.6	2.88	10.9	2.91
	39	8.1	2.24	9.6	2.88	9.9	2.91	10.0	2.93	10.2	2.95	10.5	2.98	10.8	3.01
41	7.7	2.49	9.2	3.23	9.7	3.43	9.8	3.17	10.0	3.19	10.3	3.22	10.6	3.26	
44	7.1	2.71	8.7	3.51	9.2	3.81	9.4	3.58	9.6	3.44	9.9	3.39	10.2	3.43	
47	6.7	3.61	8.4	4.67	8.9	4.00	9.1	3.64	9.3	3.66	9.6	3.64	9.9	3.68	
50	6.2	3.54	7.5	4.59	8.0	4.22	8.1	3.94	8.3	3.91	8.5	3.89	8.9	3.85	
52	4.7	2.99	5.6	3.87	6.0	3.59	6.1	3.58	6.3	3.52	6.8	3.48	7.2	3.37	

Dc Inverter Multi VRF System Technical Sales Guide

Combination	Outdoor air temp (°C DB)	Indoor air temp													
		14.0°C WB		16.0°C WB		18.0°C WB		19.0°C WB		20.0°C WB		22.0°C WB		24.0°C WB	
		20.0°C DB		23.0°C DB		26.0°C DB		27.0°C DB		28.0°C DB		30.0°C DB		32.0°C DB	
		TC	PI	TC	PI	TC	PI	TC	PI	TC	PI	TC	PI	TC	PI
		kW	kW	kW	kW	kW	kW	kW	kW	kW	kW	kW	kW	kW	
110%	-5	7.4	0.94	9.2	1.21	11.8	1.45	12.1	1.46	12.4	1.47	12.6	1.48	13.0	1.49
	0	7.4	0.94	9.2	1.21	11.8	1.45	12.1	1.46	12.4	1.47	12.6	1.48	13.0	1.50
	4	7.4	0.95	9.2	1.22	11.8	1.46	12.1	1.47	12.4	1.48	12.6	1.49	13.0	1.50
	7	7.4	0.96	9.2	1.24	11.8	1.49	12.1	1.50	12.4	1.50	12.5	1.52	12.8	1.53
	10	7.4	1.03	8.9	1.26	10.3	1.49	11.0	1.61	11.7	1.74	12.6	1.84	12.9	1.78
	12	7.4	1.05	8.9	1.28	10.3	1.52	11.0	1.64	11.7	1.77	12.5	1.83	12.7	1.77
	14	7.4	1.07	8.9	1.30	10.3	1.55	11.0	1.67	11.7	1.80	12.3	1.83	12.6	1.76
	16	7.4	1.09	8.9	1.33	10.3	1.58	11.0	1.71	11.7	1.84	12.1	1.84	12.4	1.86
	18	7.4	1.11	8.9	1.35	10.3	1.61	11.0	1.75	11.7	1.92	12.0	1.94	12.3	1.96
	20	7.4	1.13	8.9	1.38	10.3	1.71	11.0	1.88	11.5	2.02	11.8	2.03	12.1	2.05
	21	7.4	1.14	8.9	1.42	10.3	1.77	11.0	1.95	11.5	2.07	11.7	2.08	12.0	2.10
	23	7.4	1.20	8.9	1.52	10.3	1.90	11.0	2.10	11.3	2.16	11.6	2.18	11.8	2.20
	25	7.4	1.27	8.9	1.63	10.3	2.03	11.0	2.25	11.1	2.25	11.4	2.27	11.7	2.29
	27	7.4	1.36	8.9	1.74	10.3	2.17	10.8	2.34	11.0	2.35	11.3	2.37	11.5	2.39
	29	7.4	1.45	8.9	1.86	10.3	2.32	10.7	2.43	10.8	2.45	11.1	2.47	11.4	2.49
	31	7.4	1.55	8.9	1.98	10.3	2.47	10.5	2.53	10.6	2.54	10.9	2.56	11.2	2.59
	33	7.4	1.64	8.9	2.11	10.2	2.61	10.4	2.62	10.5	2.63	10.8	2.66	11.0	2.69
	35	7.4	1.75	8.9	2.25	10.1	2.70	10.2	2.72	10.3	2.73	10.6	2.76	10.9	2.78
	37	7.4	1.86	8.9	2.40	9.9	2.80	10.0	2.81	10.1	2.83	10.4	2.86	10.7	2.88
	39	7.4	1.98	8.9	2.55	9.7	2.90	9.9	2.91	10.0	2.93	10.3	2.95	10.5	2.98
41	7.0	2.21	8.4	2.84	9.6	3.41	9.7	3.15	9.8	3.17	10.1	3.20	10.3	3.23	
44	6.5	2.40	8.0	3.09	9.1	3.79	9.3	3.56	9.4	3.42	9.7	3.37	10.0	3.40	
47	6.2	3.19	7.7	4.11	8.8	3.97	8.9	3.62	9.1	3.63	9.4	3.61	9.7	3.65	
50	5.6	3.13	6.9	4.03	7.9	4.19	8.0	3.91	8.1	3.88	8.4	3.86	8.7	3.81	
52	4.3	2.64	5.1	3.40	5.9	3.57	6.0	3.56	6.2	3.50	6.7	3.45	7.1	3.34	

Combination	Outdoor air temp (°C DB)	Indoor air temp													
		14.0°C WB		16.0°C WB		18.0°C WB		19.0°C WB		20.0°C WB		22.0°C WB		24.0°C WB	
		20.0°C DB		23.0°C DB		26.0°C DB		27.0°C DB		28.0°C DB		30.0°C DB		32.0°C DB	
		TC	PI	TC	PI	TC	PI	TC	PI	TC	PI	TC	PI	TC	PI
		kW	kW	kW	kW	kW	kW	kW	kW	kW	kW	kW	kW	kW	
100%	-5	6.8	0.82	8.3	1.05	10.9	1.31	11.9	1.45	12.1	1.46	12.4	1.47	12.7	1.48
	0	6.8	0.82	8.3	1.05	10.9	1.31	11.9	1.45	12.1	1.46	12.4	1.47	12.7	1.49
	4	6.8	0.83	8.3	1.06	10.9	1.32	11.9	1.46	12.1	1.47	12.4	1.48	12.7	1.49
	7	6.8	0.84	8.3	1.08	10.9	1.34	11.9	1.49	12.1	1.49	12.3	1.51	12.5	1.52
	10	6.8	0.93	8.0	1.13	9.4	1.34	10.0	1.45	10.6	1.56	12.0	1.77	12.6	1.84
	12	6.8	0.94	8.0	1.15	9.4	1.36	10.0	1.46	10.6	1.59	12.0	1.80	12.5	1.82
	14	6.8	0.96	8.0	1.17	9.4	1.38	10.0	1.49	10.6	1.62	12.0	1.83	12.3	1.81
	16	6.8	0.98	8.0	1.19	9.4	1.41	10.0	1.52	10.6	1.66	11.9	1.87	12.1	1.85
	18	6.8	1.00	8.0	1.22	9.4	1.44	10.0	1.55	10.6	1.69	11.8	1.91	12.0	1.93
	20	6.8	1.02	8.0	1.24	9.4	1.49	10.0	1.64	10.6	1.80	11.6	2.01	11.8	2.04
	21	6.8	1.03	8.0	1.25	9.4	1.54	10.0	1.69	10.6	1.86	11.5	2.07	11.8	2.09
	23	6.8	1.06	8.0	1.34	9.4	1.65	10.0	1.82	10.6	2.00	11.4	2.19	11.6	2.21
	25	6.8	1.12	8.0	1.42	9.4	1.76	10.0	1.94	10.6	2.14	11.2	2.27	11.4	2.29
	27	6.8	1.20	8.0	1.52	9.4	1.89	10.0	2.08	10.6	2.29	11.0	2.35	11.3	2.38
	29	6.8	1.27	8.0	1.62	9.4	2.02	10.0	2.22	10.6	2.43	10.9	2.47	11.1	2.49
	31	6.8	1.35	8.0	1.73	9.4	2.15	10.0	2.39	10.5	2.53	10.6	2.57	10.9	2.59
	33	6.8	1.44	8.0	1.84	9.4	2.29	10.0	2.53	10.3	2.62	10.6	2.64	10.8	2.67
	35	6.8	1.53	8.0	1.96	9.4	2.44	10.0	2.7	10.1	2.71	10.4	2.74	10.6	2.76
	37	6.8	1.63	8.0	2.09	9.4	2.60	9.8	2.8	10.0	2.81	10.2	2.83	10.5	2.86
	39	6.8	1.74	8.0	2.22	9.4	2.77	9.7	2.89	9.7	2.90	10.1	2.92	10.2	2.95
41	6.4	1.93	7.6	2.47	8.9	3.08	9.5	3.13	9.6	3.15	9.9	3.18	10.1	3.20	
44	5.9	2.10	7.2	2.68	8.5	3.42	9.1	3.54	9.2	3.39	9.5	3.34	9.8	3.37	
47	5.6	2.79	7.0	3.57	8.2	3.59	8.8	3.59	8.9	3.61	9.2	3.59	9.4	3.62	
50	5.1	2.74	6.3	3.51	7.3	3.79	7.8	3.89	7.9	3.85	8.2	3.83	8.5	3.78	
52	3.9	2.31	4.7	2.96	5.5	3.23	5.9	3.54	6.1	3.47	6.5	3.42	6.9	3.32	

Dc Inverter Multi VRF System Technical Sales Guide

Combination	Outdoor air temp (°C DB)	Indoor air temp													
		14.0°C WB		16.0°C WB		18.0°C WB		19.0°C WB		20.0°C WB		22.0°C WB		24.0°C WB	
		20.0°C DB		23.0°C DB		26.0°C DB		27.0°C DB		28.0°C DB		30.0°C DB		32.0°C DB	
		TC	PI	TC	PI	TC	PI	TC	PI	TC	PI	TC	PI	TC	PI
		kW	kW	kW	kW	kW	kW	kW	kW	kW	kW	kW	kW	kW	
90%	-5	6.6	0.72	8.0	0.91	10.3	1.12	11.2	1.24	12.0	1.36	12.6	1.46	12.9	1.47
	0	6.6	0.72	8.0	0.91	10.3	1.12	11.2	1.24	12.0	1.36	12.6	1.46	12.9	1.47
	4	6.6	0.72	8.0	0.91	10.3	1.13	11.2	1.25	12.0	1.37	12.6	1.47	12.9	1.48
	7	6.6	0.73	8.0	0.93	10.3	1.15	11.2	1.27	12.0	1.40	12.5	1.49	12.7	1.51
	10	6.6	0.81	7.7	0.98	8.9	1.14	9.5	1.29	10.1	1.37	11.3	1.57	12.4	1.78
	12	6.6	0.82	7.7	0.99	8.9	1.16	9.5	1.30	10.1	1.40	11.3	1.60	12.4	1.80
	14	6.6	0.84	7.7	1.01	8.9	1.18	9.5	1.32	10.1	1.42	11.3	1.63	12.4	1.83
	16	6.6	0.86	7.7	1.03	8.9	1.20	9.5	1.35	10.1	1.45	11.3	1.66	12.4	1.87
	18	6.6	0.88	7.7	1.05	8.9	1.23	9.5	1.38	10.1	1.48	11.3	1.70	12.3	1.94
	20	6.6	0.89	7.7	1.07	8.9	1.27	9.5	1.41	10.1	1.54	11.3	1.83	12.1	2.02
	21	6.6	0.90	7.7	1.08	8.9	1.31	9.5	1.46	10.1	1.60	11.3	1.89	12.0	2.06
	23	6.6	0.92	7.7	1.15	8.9	1.41	9.5	1.57	10.1	1.71	11.3	2.03	11.8	2.17
	25	6.6	0.98	7.7	1.23	8.9	1.50	9.5	1.67	10.1	1.83	11.3	2.17	11.7	2.26
	27	6.6	1.05	7.7	1.31	8.9	1.61	9.5	1.78	10.1	1.96	11.3	2.32	11.5	2.35
	29	6.6	1.11	7.7	1.40	8.9	1.72	9.5	1.90	10.1	2.09	11.1	2.43	11.4	2.45
	31	6.6	1.18	7.7	1.49	8.9	1.84	9.5	2.03	10.1	2.23	11.0	2.52	11.2	2.55
	33	6.6	1.26	7.7	1.59	8.9	1.96	9.5	2.16	10.1	2.37	10.8	2.62	11.0	2.64
	35	6.6	1.34	7.7	1.69	8.9	2.09	9.5	2.31	10.1	2.54	10.6	2.71	10.9	2.74
	37	6.6	1.42	7.7	1.80	8.9	2.22	9.3	2.39	10.1	2.71	10.5	2.81	10.7	2.80
	39	6.6	1.51	7.7	1.92	8.9	2.37	9.2	2.47	10.1	2.88	10.3	2.92	10.5	2.91
41	6.2	1.68	7.4	2.13	8.5	2.63	9.1	2.67	9.6	2.94	10.2	3.15	10.4	3.18	
44	5.8	1.83	7.0	2.32	8.1	2.92	8.7	3.02	9.2	3.17	9.8	3.31	10.0	3.34	
47	5.5	2.43	6.8	3.08	7.9	3.07	8.4	3.07	8.9	3.37	9.5	3.56	9.7	3.59	
50	5.1	2.39	6.1	3.03	7.1	3.23	7.5	3.32	8.0	3.60	8.5	3.80	8.8	3.75	
52	4.0	2.02	4.7	2.55	5.4	2.75	5.8	3.02	6.2	3.25	6.9	3.39	7.2	3.29	

Combination	Outdoor air temp (°C DB)	Indoor air temp													
		14.0°C WB		16.0°C WB		18.0°C WB		19.0°C WB		20.0°C WB		22.0°C WB		24.0°C WB	
		20.0°C DB		23.0°C DB		26.0°C DB		27.0°C DB		28.0°C DB		30.0°C DB		32.0°C DB	
		TC	PI	TC	PI	TC	PI	TC	PI	TC	PI	TC	PI	TC	PI
		kW	kW	kW	kW	kW	kW	kW	kW	kW	kW	kW	kW	kW	
80%	-5	5.9	0.62	7.2	0.76	9.2	0.95	10.0	1.05	10.7	1.14	11.9	1.36	12.6	1.45
	0	5.9	0.62	7.2	0.77	9.2	0.95	10.0	1.05	10.7	1.14	11.9	1.36	12.6	1.46
	4	5.9	0.62	7.2	0.77	9.2	0.95	10.0	1.05	10.7	1.15	11.9	1.36	12.6	1.46
	7	5.9	0.63	7.2	0.78	9.2	0.97	10.0	1.07	10.7	1.17	11.8	1.39	12.4	1.49
	10	5.9	0.74	6.9	0.88	8.0	1.04	8.5	1.12	9.0	1.20	10.1	1.37	11.1	1.59
	12	5.9	0.75	6.9	0.90	8.0	1.06	8.5	1.14	9.0	1.22	10.1	1.39	11.1	1.58
	14	5.9	0.76	6.9	0.92	8.0	1.08	8.5	1.16	9.0	1.25	10.1	1.42	11.1	1.61
	16	5.9	0.78	6.9	0.93	8.0	1.10	8.5	1.18	9.0	1.26	10.1	1.45	11.1	1.67
	18	5.9	0.79	6.9	0.95	8.0	1.12	8.5	1.21	9.0	1.29	10.1	1.48	11.1	1.79
	20	5.9	0.80	6.9	0.97	8.0	1.14	8.5	1.23	9.0	1.32	10.1	1.54	11.1	1.85
	21	5.9	0.81	6.9	0.98	8.0	1.15	8.5	1.24	9.0	1.35	10.1	1.59	11.1	1.99
	23	5.9	0.83	6.9	1.00	8.0	1.21	8.5	1.32	9.0	1.44	10.1	1.70	11.1	2.12
	25	5.9	0.85	6.9	1.06	8.0	1.29	8.5	1.42	9.0	1.54	10.1	1.82	11.1	2.27
	27	5.9	0.91	6.9	1.13	8.0	1.38	8.5	1.51	9.0	1.65	10.1	1.95	11.1	2.35
	29	5.9	0.96	6.9	1.20	8.0	1.47	8.5	1.61	9.0	1.76	10.1	2.08	11.1	2.43
	31	5.9	1.02	6.9	1.28	8.0	1.56	8.5	1.71	9.0	1.88	10.1	2.22	10.9	2.52
	33	5.9	1.09	6.9	1.42	8.0	1.66	8.5	1.83	9.0	2.00	10.1	2.37	10.8	2.61
	35	5.9	1.15	6.9	1.42	8.0	1.77	8.5	1.95	9.0	2.13	10.1	2.53	10.6	2.71
	37	5.9	1.22	6.9	1.53	8.0	1.88	8.4	2.07	9.0	2.27	10.1	2.69	10.5	2.81
	39	5.9	1.30	6.9	1.63	8.0	2.00	8.3	2.21	9.0	2.41	10.1	2.86	10.3	2.91
41	5.6	1.45	6.6	1.79	7.6	2.23	8.1	2.26	8.6	2.47	9.6	2.93	10.1	3.14	
44	5.3	1.58	6.3	1.95	7.3	2.48	7.8	2.55	8.2	2.66	9.3	3.08	9.8	3.30	
47	5.0	2.10	6.1	2.59	7.0	2.60	7.5	2.59	8.0	2.83	9.0	3.31	9.5	3.54	
50	4.6	2.06	5.5	2.55	6.3	2.74	6.8	2.80	7.2	3.02	8.1	3.54	8.6	3.71	
52	3.6	1.74	4.2	2.15	4.9	2.33	5.2	2.55	5.6	2.72	6.5	3.16	7.1	3.25	

Dc Inverter Multi VRF System Technical Sales Guide

Combination	Outdoor air temp (°C DB)	Indoor air temp													
		14.0°C WB		16.0°C WB		18.0°C WB		19.0°C WB		20.0°C WB		22.0°C WB		24.0°C WB	
		20.0°C DB		23.0°C DB		26.0°C DB		27.0°C DB		28.0°C DB		30.0°C DB		32.0°C DB	
		TC	PI	TC	PI	TC	PI	TC	PI	TC	PI	TC	PI	TC	PI
		kW	kW	kW	kW	kW	kW	kW	kW	kW	kW	kW	kW	kW	
70%	-5	5.2	0.53	6.3	0.65	8.2	0.79	8.8	0.87	9.4	0.95	10.5	1.11	11.6	1.30
	0	5.2	0.53	6.3	0.65	8.2	0.79	8.8	0.87	9.4	0.95	10.5	1.12	11.6	1.30
	4	5.2	0.53	6.3	0.66	8.2	0.80	8.8	0.87	9.4	0.95	10.5	1.12	11.6	1.30
	7	5.2	0.54	6.3	0.67	8.2	0.81	8.8	0.89	9.4	0.97	10.4	1.14	11.5	1.33
	10	5.2	0.65	6.1	0.77	7.0	0.90	7.5	0.97	7.9	1.04	8.9	1.18	9.8	1.32
	12	5.2	0.66	6.1	0.78	7.0	0.92	7.5	0.99	7.9	1.06	8.9	1.20	9.8	1.35
	14	5.2	0.67	6.1	0.80	7.0	0.93	7.5	1.00	7.9	1.07	8.9	1.22	9.8	1.38
	16	5.2	0.68	6.1	0.81	7.0	0.95	7.5	1.02	7.9	1.10	8.9	1.24	9.8	1.40
	18	5.2	0.69	6.1	0.83	7.0	0.97	7.5	1.04	7.9	1.11	8.9	1.27	9.8	1.43
	20	5.2	0.70	6.1	0.84	7.0	0.99	7.5	1.06	7.9	1.14	8.9	1.30	9.8	1.47
	21	5.2	0.71	6.1	0.85	7.0	0.99	7.5	1.07	7.9	1.15	8.9	1.31	9.8	1.52
	23	5.2	0.72	6.1	0.86	7.0	1.02	7.5	1.11	7.9	1.20	8.9	1.41	9.8	1.63
	25	5.2	0.74	6.1	0.90	7.0	1.08	7.5	1.18	7.9	1.28	8.9	1.51	9.8	1.74
	27	5.2	0.78	6.1	0.96	7.0	1.15	7.5	1.26	7.9	1.37	8.9	1.61	9.8	1.86
	29	5.2	0.83	6.1	1.02	7.0	1.23	7.5	1.34	7.9	1.46	8.9	1.71	9.8	1.99
	31	5.2	0.87	6.1	1.08	7.0	1.31	7.5	1.43	7.9	1.55	8.9	1.83	9.8	2.12
	33	5.2	0.93	6.1	1.15	7.0	1.39	7.5	1.52	7.9	1.66	8.9	1.95	9.8	2.26
	35	5.2	0.98	6.1	1.22	7.0	1.47	7.5	1.62	7.9	1.76	8.9	2.07	9.8	2.41
	37	5.2	1.04	6.1	1.29	7.0	1.57	7.4	1.72	7.9	1.87	8.9	2.21	9.8	2.57
39	5.2	1.10	6.1	1.36	7.0	1.66	7.3	1.82	7.9	1.99	8.9	2.35	9.8	2.74	
41	5.0	1.24	5.8	1.53	6.7	1.86	7.2	1.87	7.6	2.04	8.5	2.41	9.3	2.80	
44	4.7	1.35	5.6	1.67	6.4	2.06	6.9	2.12	7.3	2.20	8.2	2.53	9.0	2.94	
47	4.4	1.79	5.4	2.22	6.2	2.17	6.6	2.15	7.1	2.34	7.9	2.72	8.8	3.16	
50	4.1	1.76	4.9	2.18	5.6	2.28	6.0	2.33	6.3	2.50	7.1	2.90	7.9	3.31	
52	3.2	1.48	3.8	1.84	4.3	1.95	4.6	2.12	5.0	2.25	5.8	2.59	6.5	2.90	

Combination	Outdoor air temp (°C DB)	Indoor air temp													
		14.0°C WB		16.0°C WB		18.0°C WB		19.0°C WB		20.0°C WB		22.0°C WB		24.0°C WB	
		20.0°C DB		23.0°C DB		26.0°C DB		27.0°C DB		28.0°C DB		30.0°C DB		32.0°C DB	
		TC	PI	TC	PI	TC	PI	TC	PI	TC	PI	TC	PI	TC	PI
		kW	kW	kW	kW	kW	kW	kW	kW	kW	kW	kW	kW	kW	
60%	-5	4.6	0.44	5.5	0.54	7.1	0.65	7.7	0.71	8.2	0.77	9.1	0.90	10.0	1.04
	0	4.6	0.44	5.5	0.54	7.1	0.65	7.7	0.71	8.2	0.77	9.1	0.90	10.0	1.04
	4	4.6	0.45	5.5	0.54	7.1	0.65	7.7	0.71	8.2	0.77	9.1	0.90	10.0	1.04
	7	4.6	0.45	5.5	0.55	7.1	0.66	7.7	0.72	8.2	0.79	9.0	0.92	9.9	1.06
	10	4.6	0.56	5.3	0.66	6.1	0.77	6.5	0.82	6.9	0.88	7.7	0.99	8.5	1.11
	12	4.6	0.57	5.3	0.67	6.1	0.78	6.5	0.84	6.9	0.89	7.7	1.01	8.5	1.13
	14	4.6	0.58	5.3	0.68	6.1	0.79	6.5	0.85	6.9	0.91	7.7	1.03	8.5	1.15
	16	4.6	0.59	5.3	0.70	6.1	0.81	6.5	0.87	6.9	0.92	7.7	1.05	8.5	1.18
	18	4.6	0.60	5.3	0.71	6.1	0.82	6.5	0.88	6.9	0.94	7.7	1.07	8.5	1.20
	20	4.6	0.61	5.3	0.72	6.1	0.84	6.5	0.90	6.9	0.96	7.7	1.09	8.5	1.22
	21	4.6	0.61	5.3	0.72	6.1	0.84	6.5	0.91	6.9	0.97	7.7	1.10	8.5	1.23
	23	4.6	0.62	5.3	0.74	6.1	0.86	6.5	0.92	6.9	0.99	7.7	1.14	8.5	1.31
	25	4.6	0.63	5.3	0.75	6.1	0.89	6.5	0.97	6.9	1.05	7.7	1.22	8.5	1.40
	27	4.6	0.66	5.3	0.80	6.1	0.95	6.5	1.03	6.9	1.12	7.7	1.30	8.5	1.50
	29	4.6	0.70	5.3	0.84	6.1	1.01	6.5	1.10	6.9	1.19	7.7	1.39	8.5	1.60
	31	4.6	0.74	5.3	0.90	6.1	1.07	6.5	1.17	6.9	1.27	7.7	1.47	8.5	1.70
	33	4.6	0.78	5.3	0.95	6.1	1.14	6.5	1.24	6.9	1.35	7.7	1.57	8.5	1.81
	35	4.6	0.83	5.3	1.01	6.1	1.21	6.5	1.32	6.9	1.43	7.7	1.67	8.5	1.93
	37	4.6	0.87	5.3	1.07	6.1	1.28	6.4	1.40	6.9	1.52	7.7	1.78	8.5	2.05
	39	4.6	0.92	5.3	1.13	6.1	1.36	6.3	1.48	6.9	1.61	7.7	1.88	8.5	2.18
41	4.3	1.04	5.1	1.27	5.8	1.52	6.2	1.53	6.6	1.66	7.3	1.94	8.1	2.24	
44	4.1	1.13	4.8	1.38	5.6	1.69	6.0	1.73	6.3	1.79	7.1	2.04	7.8	2.35	
47	3.9	1.51	4.7	1.84	5.4	1.78	5.8	1.75	6.1	1.90	6.9	2.19	7.6	2.53	
50	3.6	1.48	4.3	1.80	4.9	1.87	5.2	1.90	5.5	2.03	6.2	2.34	6.9	2.64	
52	2.8	1.25	3.3	1.52	3.8	1.59	4.0	1.73	4.3	1.83	5.0	2.09	5.7	2.31	

Dc Inverter Multi VRF System Technical Sales Guide

Combination	Outdoor air temp (°C DB)	Indoor air temp													
		14.0°C WB		16.0°C WB		18.0°C WB		19.0°C WB		20.0°C WB		22.0°C WB		24.0°C WB	
		20.0°C DB		23.0°C DB		26.0°C DB		27.0°C DB		28.0°C DB		30.0°C DB		32.0°C DB	
		TC	PI	TC	PI	TC	PI	TC	PI	TC	PI	TC	PI	TC	PI
		kW	kW	kW	kW	kW	kW	kW	kW	kW	kW	kW	kW	kW	
50%	-5	3.9	0.37	4.7	0.44	6.0	0.52	6.5	0.56	6.9	0.61	7.6	0.70	8.4	0.81
	0	3.9	0.37	4.7	0.44	6.0	0.52	6.5	0.56	6.9	0.61	7.6	0.70	8.4	0.81
	4	3.9	0.37	4.7	0.44	6.0	0.52	6.5	0.57	6.9	0.61	7.6	0.71	8.4	0.81
	7	3.9	0.38	4.7	0.45	6.0	0.53	6.5	0.58	6.9	0.62	7.6	0.72	8.3	0.82
	10	3.9	0.49	4.5	0.56	5.2	0.64	5.5	0.69	5.8	0.73	6.5	0.82	7.1	0.91
	12	3.9	0.49	4.5	0.57	5.2	0.65	5.5	0.70	5.8	0.74	6.5	0.83	7.1	0.93
	14	3.9	0.50	4.5	0.58	5.2	0.66	5.5	0.71	5.8	0.75	6.5	0.85	7.1	0.95
	16	3.9	0.51	4.5	0.59	5.2	0.67	5.5	0.72	5.8	0.76	6.5	0.86	7.1	0.96
	18	3.9	0.51	4.5	0.60	5.2	0.68	5.5	0.73	5.8	0.78	6.5	0.88	7.1	0.98
	20	3.9	0.52	4.5	0.60	5.2	0.70	5.5	0.75	5.8	0.79	6.5	0.90	7.1	1.00
	21	3.9	0.52	4.5	0.61	5.2	0.70	5.5	0.75	5.8	0.80	6.5	0.90	7.1	1.01
	23	3.9	0.53	4.5	0.62	5.2	0.71	5.5	0.76	5.8	0.82	6.5	0.92	7.1	1.03
	25	3.9	0.54	4.5	0.63	5.2	0.73	5.5	0.78	5.8	0.84	6.5	0.96	7.1	1.10
	27	3.9	0.55	4.5	0.65	5.2	0.77	5.5	0.83	5.8	0.89	6.5	1.03	7.1	1.17
	29	3.9	0.58	4.5	0.69	5.2	0.82	5.5	0.88	5.8	0.95	6.5	1.09	7.1	1.25
	31	3.9	0.61	4.5	0.73	5.2	0.87	5.5	0.94	5.8	1.01	6.5	1.16	7.1	1.33
	33	3.9	0.65	4.5	0.78	5.2	0.92	5.5	0.99	5.8	1.07	6.5	1.23	7.1	1.41
	35	3.9	0.68	4.5	0.82	5.2	0.97	5.5	1.05	5.8	1.13	6.5	1.31	7.1	1.50
	37	3.9	0.72	4.5	0.87	5.2	1.03	5.4	1.11	5.8	1.20	6.5	1.39	7.1	1.59
	39	3.9	0.76	4.5	0.91	5.2	1.08	5.3	1.18	5.8	1.27	6.5	1.47	7.1	1.69
41	3.7	0.86	4.3	1.03	4.9	1.22	5.3	1.22	5.5	1.31	6.2	1.52	6.8	1.74	
44	3.5	0.94	4.1	1.12	4.7	1.36	5.1	1.37	5.3	1.41	6.0	1.60	6.6	1.83	
47	3.3	1.25	4.0	1.49	4.6	1.42	4.9	1.39	5.2	1.51	5.8	1.72	6.4	1.96	
50	3.1	1.22	3.6	1.47	4.2	1.50	4.4	1.51	4.7	1.61	5.2	1.83	5.8	2.05	
52	2.4	1.03	2.8	1.24	3.2	1.28	3.5	1.37	3.7	1.45	4.3	1.64	4.8	1.80	

GMV-100WL/C-T

TC—Total capacity of outdoor unit; PI—Power input of outdoor unit

Combination	Outdoor air temp(°C DB)	Indoor air temp													
		14.0°C WB		16.0°C WB		18.0°C WB		19.0°C WB		20.0°C WB		22.0°C WB		24.0°C WB	
		20.0°C DB		23.0°C DB		26.0°C DB		27.0°C DB		28.0°C DB		30.0°C DB		32.0°C DB	
		TC	PI	TC	PI	TC	PI	TC	PI	TC	PI	TC	PI	TC	PI
		kW	kW	kW	kW	kW	kW	kW	kW	kW	kW	kW	kW	kW	
135%	-5	8.8	1.19	10.5	1.45	12.1	1.47	12.6	1.48	12.9	1.49	13.2	1.50	13.6	1.52
	0	8.8	1.20	10.5	1.46	12.1	1.47	12.6	1.48	12.9	1.49	13.2	1.51	13.6	1.52
	4	8.8	1.20	10.5	1.46	12.1	1.48	12.6	1.49	12.9	1.50	13.2	1.51	13.6	1.53
	7	8.8	1.22	10.5	1.49	12.1	1.51	12.6	1.52	12.9	1.52	13.1	1.54	13.4	1.56
	10	8.8	1.24	10.5	1.52	12.1	1.81	12.6	1.85	12.8	1.81	13.1	1.74	13.4	1.66
	12	8.8	1.27	10.5	1.55	12.1	1.84	12.4	1.84	12.6	1.80	12.9	1.72	13.2	1.70
	14	8.8	1.29	10.5	1.58	12.1	1.87	12.3	1.83	12.4	1.79	12.8	1.78	13.1	1.79
	16	8.8	1.31	10.5	1.61	12.0	1.86	12.1	1.84	12.3	1.85	12.6	1.87	12.9	1.89
	18	8.8	1.34	10.5	1.64	11.8	1.93	11.9	1.94	12.1	1.95	12.4	1.97	12.8	1.99
	20	8.8	1.37	10.5	1.75	11.6	2.02	11.8	2.03	11.9	2.05	12.3	2.06	12.6	2.09
	21	8.8	1.40	10.5	1.81	11.5	2.07	11.7	2.08	11.9	2.09	12.2	2.11	12.5	2.13
	23	8.8	1.51	10.5	1.94	11.4	2.17	11.5	2.18	11.7	2.19	12.0	2.21	12.3	2.23
	25	8.8	1.61	10.5	2.08	11.2	2.26	11.4	2.27	11.5	2.29	11.9	2.31	12.2	2.33
	27	8.8	1.72	10.5	2.23	11.1	1.99	11.2	2.37	11.4	2.38	11.7	2.41	12.0	2.43
	29	8.8	1.83	10.5	2.38	10.9	2.45	11.0	2.46	11.2	2.48	11.5	2.50	11.9	2.53
	31	8.8	1.96	10.4	2.52	10.7	2.55	10.9	2.56	11.0	2.57	11.4	2.60	11.7	2.63
	33	8.8	2.09	10.3	2.61	10.6	2.64	10.7	2.66	10.9	2.67	11.2	2.70	11.5	2.73
	35	8.8	2.22	10.1	2.71	10.4	2.74	10.6	2.75	10.7	2.77	11.0	2.80	11.4	2.83
	37	8.8	2.37	9.9	2.81	10.3	2.84	10.4	2.85	10.6	2.87	10.9	2.90	11.2	2.94
	39	8.8	2.52	9.8	2.90	10.1	2.93	10.3	2.95	10.4	2.97	10.7	3.00	11.0	3.04
41	8.3	2.80	9.6	3.41	9.9	3.45	10.0	3.20	10.2	3.21	10.5	3.25	10.8	3.28	
44	7.7	3.05	9.1	3.71	9.4	3.84	9.6	3.61	9.8	3.46	10.1	3.42	10.4	3.45	
47	7.3	4.05	8.8	4.94	9.1	4.03	9.3	3.66	9.4	3.68	9.8	3.67	10.1	3.71	
50	6.7	3.98	7.9	4.85	8.1	4.25	8.3	3.97	8.4	3.93	8.7	3.92	9.1	3.88	
52	5.1	3.36	5.8	4.09	6.1	3.62	6.2	3.61	6.4	3.54	7.0	3.50	7.4	3.40	

Dc Inverter Multi VRF System Technical Sales Guide

Combination	Outdoor air temp (°C DB)	Indoor air temp													
		14.0°C WB		16.0°C WB		18.0°C WB		19.0°C WB		20.0°C WB		22.0°C WB		24.0°C WB	
		20.0°C DB		23.0°C DB		26.0°C DB		27.0°C DB		28.0°C DB		30.0°C DB		32.0°C DB	
		TC	PI	TC	PI	TC	PI	TC	PI	TC	PI	TC	PI	TC	PI
		kW	kW	kW	kW	kW	kW	kW	kW	kW	kW	kW	kW	kW	
120%	-5	8.1	1.06	10.0	1.38	11.9	1.46	12.4	1.47	12.6	1.48	12.9	1.49	13.3	1.51
	0	8.1	1.06	10.0	1.38	11.9	1.46	12.4	1.47	12.6	1.48	12.9	1.50	13.3	1.51
	4	8.1	1.07	10.0	1.38	11.9	1.47	12.4	1.48	12.6	1.49	12.9	1.50	13.3	1.52
	7	8.1	1.09	10.0	1.41	11.9	1.50	12.4	1.51	12.6	1.51	12.8	1.53	13.1	1.55
	10	8.1	1.14	9.6	1.39	11.2	1.65	12.0	1.78	12.6	1.86	12.9	1.79	13.1	1.72
	12	8.1	1.16	9.6	1.41	11.2	1.68	12.0	1.82	12.4	1.85	12.7	1.78	13.0	1.71
	14	8.1	1.18	9.6	1.44	11.2	1.71	12.0	1.85	12.2	1.84	12.5	1.77	12.8	1.78
	16	8.1	1.20	9.6	1.47	11.2	1.75	11.9	1.87	12.1	1.84	12.4	1.86	12.6	1.87
	18	8.1	1.22	9.6	1.50	11.2	1.81	11.8	1.93	11.9	1.94	12.2	1.95	12.5	1.97
	20	8.1	1.25	9.6	1.56	11.2	1.94	11.6	2.02	11.8	2.03	12.0	2.05	12.3	2.07
	21	8.1	1.26	9.6	1.61	11.2	2.01	11.5	2.07	11.6	2.08	12.0	2.10	12.3	2.12
	23	8.1	1.35	9.6	1.73	11.2	2.15	11.4	2.16	11.5	2.17	11.8	2.19	12.1	2.21
	25	8.1	1.44	9.6	1.85	11.0	2.25	11.2	2.26	11.3	2.27	11.6	2.29	11.9	2.31
	27	8.1	1.54	9.6	1.98	10.9	2.34	11.0	2.35	11.2	2.37	11.5	2.39	11.8	2.41
	29	8.1	1.64	9.6	2.11	10.7	2.43	10.9	2.45	11.0	2.46	11.3	2.49	11.6	2.51
	31	8.1	1.75	9.6	2.25	10.6	2.53	10.7	2.54	10.9	2.56	11.1	2.58	11.4	2.61
	33	8.1	1.86	9.6	2.41	10.4	2.63	10.5	2.64	10.7	2.65	11.0	2.68	11.3	2.71
	35	8.1	1.98	9.6	2.56	10.2	2.72	10.4	2.74	10.5	2.75	10.8	2.78	11.1	2.81
	37	8.1	2.11	9.6	2.73	10.1	2.82	10.2	2.83	10.4	2.85	10.6	2.88	10.9	2.91
	39	8.1	2.24	9.6	2.88	9.9	2.91	10.0	2.93	10.2	2.95	10.5	2.98	10.8	3.01
41	7.7	2.49	9.2	3.23	9.7	3.43	9.8	3.17	10.0	3.19	10.3	3.22	10.6	3.26	
44	7.1	2.71	8.7	3.51	9.2	3.81	9.4	3.58	9.6	3.44	9.9	3.39	10.2	3.43	
47	6.7	3.61	8.4	4.67	8.9	4.00	9.1	3.64	9.3	3.66	9.6	3.64	9.9	3.68	
50	6.2	3.54	7.5	4.59	8.0	4.22	8.1	3.94	8.3	3.91	8.5	3.89	8.9	3.85	
52	4.7	2.99	5.6	3.87	6.0	3.59	6.1	3.58	6.3	3.52	6.8	3.48	7.2	3.37	

Combination	Outdoor air temp (°C DB)	Indoor air temp													
		14.0°C WB		16.0°C WB		18.0°C WB		19.0°C WB		20.0°C WB		22.0°C WB		24.0°C WB	
		20.0°C DB		23.0°C DB		26.0°C DB		27.0°C DB		28.0°C DB		30.0°C DB		32.0°C DB	
		TC	PI	TC	PI	TC	PI	TC	PI	TC	PI	TC	PI	TC	PI
		kW	kW	kW	kW	kW	kW	kW	kW	kW	kW	kW	kW	kW	
110%	-5	7.4	0.94	9.2	1.21	11.8	1.45	12.1	1.46	12.4	1.47	12.6	1.48	13.0	1.49
	0	7.4	0.94	9.2	1.21	11.8	1.45	12.1	1.46	12.4	1.47	12.6	1.48	13.0	1.50
	4	7.4	0.95	9.2	1.22	11.8	1.46	12.1	1.47	12.4	1.48	12.6	1.49	13.0	1.50
	7	7.4	0.96	9.2	1.24	11.8	1.49	12.1	1.50	12.4	1.50	12.5	1.52	12.8	1.53
	10	7.4	1.03	8.9	1.26	10.3	1.49	11.0	1.61	11.7	1.74	12.6	1.84	12.9	1.78
	12	7.4	1.05	8.9	1.28	10.3	1.52	11.0	1.64	11.7	1.77	12.5	1.83	12.7	1.77
	14	7.4	1.07	8.9	1.30	10.3	1.55	11.0	1.67	11.7	1.80	12.3	1.83	12.6	1.76
	16	7.4	1.09	8.9	1.33	10.3	1.58	11.0	1.71	11.7	1.84	12.1	1.84	12.4	1.86
	18	7.4	1.11	8.9	1.35	10.3	1.61	11.0	1.75	11.7	1.92	12.0	1.94	12.3	1.96
	20	7.4	1.13	8.9	1.38	10.3	1.71	11.0	1.88	11.5	2.02	11.8	2.03	12.1	2.05
	21	7.4	1.14	8.9	1.42	10.3	1.77	11.0	1.95	11.5	2.07	11.7	2.08	12.0	2.10
	23	7.4	1.20	8.9	1.52	10.3	1.90	11.0	2.10	11.3	2.16	11.6	2.18	11.8	2.20
	25	7.4	1.27	8.9	1.63	10.3	2.03	11.0	2.25	11.1	2.25	11.4	2.27	11.7	2.29
	27	7.4	1.36	8.9	1.74	10.3	2.17	10.8	2.34	11.0	2.35	11.3	2.37	11.5	2.39
	29	7.4	1.45	8.9	1.86	10.3	2.32	10.7	2.43	10.8	2.45	11.1	2.47	11.4	2.49
	31	7.4	1.55	8.9	1.98	10.3	2.47	10.5	2.53	10.6	2.54	10.9	2.56	11.2	2.59
	33	7.4	1.64	8.9	2.11	10.2	2.61	10.4	2.62	10.5	2.63	10.8	2.66	11.0	2.69
	35	7.4	1.75	8.9	2.25	10.1	2.70	10.2	2.72	10.3	2.73	10.6	2.76	10.9	2.78
	37	7.4	1.86	8.9	2.40	9.9	2.80	10.0	2.81	10.1	2.83	10.4	2.86	10.7	2.88
	39	7.4	1.98	8.9	2.55	9.7	2.90	9.9	2.91	10.0	2.93	10.3	2.95	10.5	2.98
41	7.0	2.21	8.4	2.84	9.6	3.41	9.7	3.15	9.8	3.17	10.1	3.20	10.3	3.23	
44	6.5	2.40	8.0	3.09	9.1	3.79	9.3	3.56	9.4	3.42	9.7	3.37	10.0	3.40	
47	6.2	3.19	7.7	4.11	8.8	3.97	8.9	3.62	9.1	3.63	9.4	3.61	9.7	3.65	
50	5.6	3.13	6.9	4.03	7.9	4.19	8.0	3.91	8.1	3.88	8.4	3.86	8.7	3.81	
52	4.3	2.64	5.1	3.40	5.9	3.57	6.0	3.56	6.2	3.50	6.7	3.45	7.1	3.34	

Dc Inverter Multi VRF System Technical Sales Guide

Combination	Outdoor air temp (°C DB)	Indoor air temp													
		14.0°C WB		16.0°C WB		18.0°C WB		19.0°C WB		20.0°C WB		22.0°C WB		24.0°C WB	
		20.0°C DB		23.0°C DB		26.0°C DB		27.0°C DB		28.0°C DB		30.0°C DB		32.0°C DB	
		TC	PI	TC	PI	TC	PI	TC	PI	TC	PI	TC	PI	TC	PI
		kW	kW	kW	kW	kW	kW	kW	kW	kW	kW	kW	kW	kW	
100%	-5	6.8	0.82	8.3	1.05	10.9	1.31	11.9	1.45	12.1	1.46	12.4	1.47	12.7	1.48
	0	6.8	0.82	8.3	1.05	10.9	1.31	11.9	1.45	12.1	1.46	12.4	1.47	12.7	1.49
	4	6.8	0.83	8.3	1.06	10.9	1.32	11.9	1.46	12.1	1.47	12.4	1.48	12.7	1.49
	7	6.8	0.84	8.3	1.08	10.9	1.34	11.9	1.49	12.1	1.49	12.3	1.51	12.5	1.52
	10	6.8	0.93	8.0	1.13	9.4	1.34	10.0	1.45	10.6	1.56	12.0	1.77	12.6	1.84
	12	6.8	0.94	8.0	1.15	9.4	1.36	10.0	1.46	10.6	1.59	12.0	1.80	12.5	1.82
	14	6.8	0.96	8.0	1.17	9.4	1.38	10.0	1.49	10.6	1.62	12.0	1.83	12.3	1.81
	16	6.8	0.98	8.0	1.19	9.4	1.41	10.0	1.52	10.6	1.66	11.9	1.87	12.1	1.85
	18	6.8	1.00	8.0	1.22	9.4	1.44	10.0	1.55	10.6	1.69	11.8	1.91	12.0	1.93
	20	6.8	1.02	8.0	1.24	9.4	1.49	10.0	1.64	10.6	1.80	11.6	2.01	11.8	2.04
	21	6.8	1.03	8.0	1.25	9.4	1.54	10.0	1.69	10.6	1.86	11.5	2.07	11.8	2.09
	23	6.8	1.06	8.0	1.34	9.4	1.65	10.0	1.82	10.6	2.00	11.4	2.19	11.6	2.21
	25	6.8	1.12	8.0	1.42	9.4	1.76	10.0	1.94	10.6	2.14	11.2	2.27	11.4	2.29
	27	6.8	1.20	8.0	1.52	9.4	1.89	10.0	2.08	10.6	2.29	11.0	2.35	11.3	2.38
	29	6.8	1.27	8.0	1.62	9.4	2.02	10.0	2.22	10.6	2.43	10.9	2.47	11.1	2.49
	31	6.8	1.35	8.0	1.73	9.4	2.15	10.0	2.39	10.5	2.53	10.6	2.57	10.9	2.59
	33	6.8	1.44	8.0	1.84	9.4	2.29	10.0	2.53	10.3	2.62	10.6	2.64	10.8	2.67
	35	6.8	1.53	8.0	1.96	9.4	2.44	10.0	2.7	10.1	2.71	10.4	2.74	10.6	2.76
	37	6.8	1.63	8.0	2.09	9.4	2.60	9.8	2.8	10.0	2.81	10.2	2.83	10.5	2.86
	39	6.8	1.74	8.0	2.22	9.4	2.77	9.7	2.89	9.7	2.90	10.1	2.92	10.2	2.95
41	6.4	1.93	7.6	2.47	8.9	3.08	9.5	3.13	9.6	3.15	9.9	3.18	10.1	3.20	
44	5.9	2.10	7.2	2.68	8.5	3.42	9.1	3.54	9.2	3.39	9.5	3.34	9.8	3.37	
47	5.6	2.79	7.0	3.57	8.2	3.59	8.8	3.59	8.9	3.61	9.2	3.59	9.4	3.62	
50	5.1	2.74	6.3	3.51	7.3	3.79	7.8	3.89	7.9	3.85	8.2	3.83	8.5	3.78	
52	3.9	2.31	4.7	2.96	5.5	3.23	5.9	3.54	6.1	3.47	6.5	3.42	6.9	3.32	

Combination	Outdoor air temp (°C DB)	Indoor air temp													
		14.0°C WB		16.0°C WB		18.0°C WB		19.0°C WB		20.0°C WB		22.0°C WB		24.0°C WB	
		20.0°C DB		23.0°C DB		26.0°C DB		27.0°C DB		28.0°C DB		30.0°C DB		32.0°C DB	
		TC	PI	TC	PI	TC	PI	TC	PI	TC	PI	TC	PI	TC	PI
		kW	kW	kW	kW	kW	kW	kW	kW	kW	kW	kW	kW	kW	
90%	-5	6.6	0.72	8.0	0.91	10.3	1.12	11.2	1.24	12.0	1.36	12.6	1.46	12.9	1.47
	0	6.6	0.72	8.0	0.91	10.3	1.12	11.2	1.24	12.0	1.36	12.6	1.46	12.9	1.47
	4	6.6	0.72	8.0	0.91	10.3	1.13	11.2	1.25	12.0	1.37	12.6	1.47	12.9	1.48
	7	6.6	0.73	8.0	0.93	10.3	1.15	11.2	1.27	12.0	1.40	12.5	1.49	12.7	1.51
	10	6.6	0.81	7.7	0.98	8.9	1.14	9.5	1.29	10.1	1.37	11.3	1.57	12.4	1.78
	12	6.6	0.82	7.7	0.99	8.9	1.16	9.5	1.30	10.1	1.40	11.3	1.60	12.4	1.80
	14	6.6	0.84	7.7	1.01	8.9	1.18	9.5	1.32	10.1	1.42	11.3	1.63	12.4	1.83
	16	6.6	0.86	7.7	1.03	8.9	1.20	9.5	1.35	10.1	1.45	11.3	1.66	12.4	1.87
	18	6.6	0.88	7.7	1.05	8.9	1.23	9.5	1.38	10.1	1.48	11.3	1.70	12.3	1.94
	20	6.6	0.89	7.7	1.07	8.9	1.27	9.5	1.41	10.1	1.54	11.3	1.83	12.1	2.02
	21	6.6	0.90	7.7	1.08	8.9	1.31	9.5	1.46	10.1	1.60	11.3	1.89	12.0	2.06
	23	6.6	0.92	7.7	1.15	8.9	1.41	9.5	1.57	10.1	1.71	11.3	2.03	11.8	2.17
	25	6.6	0.98	7.7	1.23	8.9	1.50	9.5	1.67	10.1	1.83	11.3	2.17	11.7	2.26
	27	6.6	1.05	7.7	1.31	8.9	1.61	9.5	1.78	10.1	1.96	11.3	2.32	11.5	2.35
	29	6.6	1.11	7.7	1.40	8.9	1.72	9.5	1.90	10.1	2.09	11.1	2.43	11.4	2.45
	31	6.6	1.18	7.7	1.49	8.9	1.84	9.5	2.03	10.1	2.23	11.0	2.52	11.2	2.55
	33	6.6	1.26	7.7	1.59	8.9	1.96	9.5	2.16	10.1	2.37	10.8	2.62	11.0	2.64
	35	6.6	1.34	7.7	1.69	8.9	2.09	9.5	2.31	10.1	2.54	10.6	2.71	10.9	2.74
	37	6.6	1.42	7.7	1.80	8.9	2.22	9.3	2.39	10.1	2.71	10.5	2.81	10.7	2.80
	39	6.6	1.51	7.7	1.92	8.9	2.37	9.2	2.47	10.1	2.88	10.3	2.92	10.5	2.91
41	6.2	1.68	7.4	2.13	8.5	2.63	9.1	2.67	9.6	2.94	10.2	3.15	10.4	3.18	
44	5.8	1.83	7.0	2.32	8.1	2.92	8.7	3.02	9.2	3.17	9.8	3.31	10.0	3.34	
47	5.5	2.43	6.8	3.08	7.9	3.07	8.4	3.07	8.9	3.37	9.5	3.56	9.7	3.59	
50	5.1	2.39	6.1	3.03	7.1	3.23	7.5	3.32	8.0	3.60	8.5	3.80	8.8	3.75	
52	4.0	2.02	4.7	2.55	5.4	2.75	5.8	3.02	6.2	3.25	6.9	3.39	7.2	3.29	

Dc Inverter Multi VRF System Technical Sales Guide

Combination	Outdoor air temp (°C DB)	Indoor air temp													
		14.0°C WB		16.0°C WB		18.0°C WB		19.0°C WB		20.0°C WB		22.0°C WB		24.0°C WB	
		20.0°C DB		23.0°C DB		26.0°C DB		27.0°C DB		28.0°C DB		30.0°C DB		32.0°C DB	
		TC	PI	TC	PI	TC	PI	TC	PI	TC	PI	TC	PI	TC	PI
	kW	kW	kW	kW	kW	kW	kW	kW	kW	kW	kW	kW	kW	kW	
80%	-5	5.9	0.62	7.2	0.76	9.2	0.95	10.0	1.05	10.7	1.14	11.9	1.36	12.6	1.45
	0	5.9	0.62	7.2	0.77	9.2	0.95	10.0	1.05	10.7	1.14	11.9	1.36	12.6	1.46
	4	5.9	0.62	7.2	0.77	9.2	0.95	10.0	1.05	10.7	1.15	11.9	1.36	12.6	1.46
	7	5.9	0.63	7.2	0.78	9.2	0.97	10.0	1.07	10.7	1.17	11.8	1.39	12.4	1.49
	10	5.9	0.74	6.9	0.88	8.0	1.04	8.5	1.12	9.0	1.20	10.1	1.37	11.1	1.59
	12	5.9	0.75	6.9	0.90	8.0	1.06	8.5	1.14	9.0	1.22	10.1	1.39	11.1	1.58
	14	5.9	0.76	6.9	0.92	8.0	1.08	8.5	1.16	9.0	1.25	10.1	1.42	11.1	1.61
	16	5.9	0.78	6.9	0.93	8.0	1.10	8.5	1.18	9.0	1.26	10.1	1.45	11.1	1.67
	18	5.9	0.79	6.9	0.95	8.0	1.12	8.5	1.21	9.0	1.29	10.1	1.48	11.1	1.79
	20	5.9	0.80	6.9	0.97	8.0	1.14	8.5	1.23	9.0	1.32	10.1	1.54	11.1	1.85
	21	5.9	0.81	6.9	0.98	8.0	1.15	8.5	1.24	9.0	1.35	10.1	1.59	11.1	1.99
	23	5.9	0.83	6.9	1.00	8.0	1.21	8.5	1.32	9.0	1.44	10.1	1.70	11.1	2.12
	25	5.9	0.85	6.9	1.06	8.0	1.29	8.5	1.42	9.0	1.54	10.1	1.82	11.1	2.27
	27	5.9	0.91	6.9	1.13	8.0	1.38	8.5	1.51	9.0	1.65	10.1	1.95	11.1	2.35
	29	5.9	0.96	6.9	1.20	8.0	1.47	8.5	1.61	9.0	1.76	10.1	2.08	11.1	2.43
	31	5.9	1.02	6.9	1.28	8.0	1.56	8.5	1.71	9.0	1.88	10.1	2.22	10.9	2.52
	33	5.9	1.09	6.9	1.42	8.0	1.66	8.5	1.83	9.0	2.00	10.1	2.37	10.8	2.61
	35	5.9	1.15	6.9	1.42	8.0	1.77	8.5	1.95	9.0	2.13	10.1	2.53	10.6	2.71
	37	5.9	1.22	6.9	1.53	8.0	1.88	8.4	2.07	9.0	2.27	10.1	2.69	10.5	2.81
	39	5.9	1.30	6.9	1.63	8.0	2.00	8.3	2.21	9.0	2.41	10.1	2.86	10.3	2.91
41	5.6	1.45	6.6	1.79	7.6	2.23	8.1	2.26	8.6	2.47	9.6	2.93	10.1	3.14	
44	5.3	1.58	6.3	1.95	7.3	2.48	7.8	2.55	8.2	2.66	9.3	3.08	9.8	3.30	
47	5.0	2.10	6.1	2.59	7.0	2.60	7.5	2.59	8.0	2.83	9.0	3.31	9.5	3.54	
50	4.6	2.06	5.5	2.55	6.3	2.74	6.8	2.80	7.2	3.02	8.1	3.54	8.6	3.71	
52	3.6	1.74	4.2	2.15	4.9	2.33	5.2	2.55	5.6	2.72	6.5	3.16	7.1	3.25	

Combination	Outdoor air temp (°C DB)	Indoor air temp													
		14.0°C WB		16.0°C WB		18.0°C WB		19.0°C WB		20.0°C WB		22.0°C WB		24.0°C WB	
		20.0°C DB		23.0°C DB		26.0°C DB		27.0°C DB		28.0°C DB		30.0°C DB		32.0°C DB	
		TC	PI	TC	PI	TC	PI	TC	PI	TC	PI	TC	PI	TC	PI
		kW	kW	kW	kW	kW	kW	kW	kW	kW	kW	kW	kW	kW	
70%	-5	5.2	0.53	6.3	0.65	8.2	0.79	8.8	0.87	9.4	0.95	10.5	1.11	11.6	1.30
	0	5.2	0.53	6.3	0.65	8.2	0.79	8.8	0.87	9.4	0.95	10.5	1.12	11.6	1.30
	4	5.2	0.53	6.3	0.66	8.2	0.80	8.8	0.87	9.4	0.95	10.5	1.12	11.6	1.30
	7	5.2	0.54	6.3	0.67	8.2	0.81	8.8	0.89	9.4	0.97	10.4	1.14	11.5	1.33
	10	5.2	0.65	6.1	0.77	7.0	0.90	7.5	0.97	7.9	1.04	8.9	1.18	9.8	1.32
	12	5.2	0.66	6.1	0.78	7.0	0.92	7.5	0.99	7.9	1.06	8.9	1.20	9.8	1.35
	14	5.2	0.67	6.1	0.80	7.0	0.93	7.5	1.00	7.9	1.07	8.9	1.22	9.8	1.38
	16	5.2	0.68	6.1	0.81	7.0	0.95	7.5	1.02	7.9	1.10	8.9	1.24	9.8	1.40
	18	5.2	0.69	6.1	0.83	7.0	0.97	7.5	1.04	7.9	1.11	8.9	1.27	9.8	1.43
	20	5.2	0.70	6.1	0.84	7.0	0.99	7.5	1.06	7.9	1.14	8.9	1.30	9.8	1.47
	21	5.2	0.71	6.1	0.85	7.0	0.99	7.5	1.07	7.9	1.15	8.9	1.31	9.8	1.52
	23	5.2	0.72	6.1	0.86	7.0	1.02	7.5	1.11	7.9	1.20	8.9	1.41	9.8	1.63
	25	5.2	0.74	6.1	0.90	7.0	1.08	7.5	1.18	7.9	1.28	8.9	1.51	9.8	1.74
	27	5.2	0.78	6.1	0.96	7.0	1.15	7.5	1.26	7.9	1.37	8.9	1.61	9.8	1.86
	29	5.2	0.83	6.1	1.02	7.0	1.23	7.5	1.34	7.9	1.46	8.9	1.71	9.8	1.99
	31	5.2	0.87	6.1	1.08	7.0	1.31	7.5	1.43	7.9	1.55	8.9	1.83	9.8	2.12
	33	5.2	0.93	6.1	1.15	7.0	1.39	7.5	1.52	7.9	1.66	8.9	1.95	9.8	2.26
	35	5.2	0.98	6.1	1.22	7.0	1.47	7.5	1.62	7.9	1.76	8.9	2.07	9.8	2.41
	37	5.2	1.04	6.1	1.29	7.0	1.57	7.4	1.72	7.9	1.87	8.9	2.21	9.8	2.57
39	5.2	1.10	6.1	1.36	7.0	1.66	7.3	1.82	7.9	1.99	8.9	2.35	9.8	2.74	
41	5.0	1.24	5.8	1.53	6.7	1.86	7.2	1.87	7.6	2.04	8.5	2.41	9.3	2.80	
44	4.7	1.35	5.6	1.67	6.4	2.06	6.9	2.12	7.3	2.20	8.2	2.53	9.0	2.94	
47	4.4	1.79	5.4	2.22	6.2	2.17	6.6	2.15	7.1	2.34	7.9	2.72	8.8	3.16	
50	4.1	1.76	4.9	2.18	5.6	2.28	6.0	2.33	6.3	2.50	7.1	2.90	7.9	3.31	
52	3.2	1.48	3.8	1.84	4.3	1.95	4.6	2.12	5.0	2.25	5.8	2.59	6.5	2.90	

Dc Inverter Multi VRF System Technical Sales Guide

Combination	Outdoor air temp (°C DB)	Indoor air temp													
		14.0°C WB		16.0°C WB		18.0°C WB		19.0°C WB		20.0°C WB		22.0°C WB		24.0°C WB	
		20.0°C DB		23.0°C DB		26.0°C DB		27.0°C DB		28.0°C DB		30.0°C DB		32.0°C DB	
		TC	PI	TC	PI	TC	PI	TC	PI	TC	PI	TC	PI	TC	PI
	kW	kW	kW	kW	kW	kW	kW	kW	kW	kW	kW	kW	kW	kW	
60%	-5	4.6	0.44	5.5	0.54	7.1	0.65	7.7	0.71	8.2	0.77	9.1	0.90	10.0	1.04
	0	4.6	0.44	5.5	0.54	7.1	0.65	7.7	0.71	8.2	0.77	9.1	0.90	10.0	1.04
	4	4.6	0.45	5.5	0.54	7.1	0.65	7.7	0.71	8.2	0.77	9.1	0.90	10.0	1.04
	7	4.6	0.45	5.5	0.55	7.1	0.66	7.7	0.72	8.2	0.79	9.0	0.92	9.9	1.06
	10	4.6	0.56	5.3	0.66	6.1	0.77	6.5	0.82	6.9	0.88	7.7	0.99	8.5	1.11
	12	4.6	0.57	5.3	0.67	6.1	0.78	6.5	0.84	6.9	0.89	7.7	1.01	8.5	1.13
	14	4.6	0.58	5.3	0.68	6.1	0.79	6.5	0.85	6.9	0.91	7.7	1.03	8.5	1.15
	16	4.6	0.59	5.3	0.70	6.1	0.81	6.5	0.87	6.9	0.92	7.7	1.05	8.5	1.18
	18	4.6	0.60	5.3	0.71	6.1	0.82	6.5	0.88	6.9	0.94	7.7	1.07	8.5	1.20
	20	4.6	0.61	5.3	0.72	6.1	0.84	6.5	0.90	6.9	0.96	7.7	1.09	8.5	1.22
	21	4.6	0.61	5.3	0.72	6.1	0.84	6.5	0.91	6.9	0.97	7.7	1.10	8.5	1.23
	23	4.6	0.62	5.3	0.74	6.1	0.86	6.5	0.92	6.9	0.99	7.7	1.14	8.5	1.31
	25	4.6	0.63	5.3	0.75	6.1	0.89	6.5	0.97	6.9	1.05	7.7	1.22	8.5	1.40
	27	4.6	0.66	5.3	0.80	6.1	0.95	6.5	1.03	6.9	1.12	7.7	1.30	8.5	1.50
	29	4.6	0.70	5.3	0.84	6.1	1.01	6.5	1.10	6.9	1.19	7.7	1.39	8.5	1.60
	31	4.6	0.74	5.3	0.90	6.1	1.07	6.5	1.17	6.9	1.27	7.7	1.47	8.5	1.70
	33	4.6	0.78	5.3	0.95	6.1	1.14	6.5	1.24	6.9	1.35	7.7	1.57	8.5	1.81
	35	4.6	0.83	5.3	1.01	6.1	1.21	6.5	1.32	6.9	1.43	7.7	1.67	8.5	1.93
	37	4.6	0.87	5.3	1.07	6.1	1.28	6.4	1.40	6.9	1.52	7.7	1.78	8.5	2.05
	39	4.6	0.92	5.3	1.13	6.1	1.36	6.3	1.48	6.9	1.61	7.7	1.88	8.5	2.18
41	4.3	1.04	5.1	1.27	5.8	1.52	6.2	1.53	6.6	1.66	7.3	1.94	8.1	2.24	
44	4.1	1.13	4.8	1.38	5.6	1.69	6.0	1.73	6.3	1.79	7.1	2.04	7.8	2.35	
47	3.9	1.51	4.7	1.84	5.4	1.78	5.8	1.75	6.1	1.90	6.9	2.19	7.6	2.53	
50	3.6	1.48	4.3	1.80	4.9	1.87	5.2	1.90	5.5	2.03	6.2	2.34	6.9	2.64	
52	2.8	1.25	3.3	1.52	3.8	1.59	4.0	1.73	4.3	1.83	5.0	2.09	5.7	2.31	

Combination	Outdoor air temp (°C DB)	Indoor air temp													
		14.0°C WB		16.0°C WB		18.0°C WB		19.0°C WB		20.0°C WB		22.0°C WB		24.0°C WB	
		20.0°C DB		23.0°C DB		26.0°C DB		27.0°C DB		28.0°C DB		30.0°C DB		32.0°C DB	
		TC	PI	TC	PI	TC	PI	TC	PI	TC	PI	TC	PI	TC	PI
		kW	kW	kW	kW	kW	kW	kW	kW	kW	kW	kW	kW	kW	kW
50%	-5	3.9	0.37	4.7	0.44	6.0	0.52	6.5	0.56	6.9	0.61	7.6	0.70	8.4	0.81
	0	3.9	0.37	4.7	0.44	6.0	0.52	6.5	0.56	6.9	0.61	7.6	0.70	8.4	0.81
	4	3.9	0.37	4.7	0.44	6.0	0.52	6.5	0.57	6.9	0.61	7.6	0.71	8.4	0.81
	7	3.9	0.38	4.7	0.45	6.0	0.53	6.5	0.58	6.9	0.62	7.6	0.72	8.3	0.82
	10	3.9	0.49	4.5	0.56	5.2	0.64	5.5	0.69	5.8	0.73	6.5	0.82	7.1	0.91
	12	3.9	0.49	4.5	0.57	5.2	0.65	5.5	0.70	5.8	0.74	6.5	0.83	7.1	0.93
	14	3.9	0.50	4.5	0.58	5.2	0.66	5.5	0.71	5.8	0.75	6.5	0.85	7.1	0.95
	16	3.9	0.51	4.5	0.59	5.2	0.67	5.5	0.72	5.8	0.76	6.5	0.86	7.1	0.96
	18	3.9	0.51	4.5	0.60	5.2	0.68	5.5	0.73	5.8	0.78	6.5	0.88	7.1	0.98
	20	3.9	0.52	4.5	0.60	5.2	0.70	5.5	0.75	5.8	0.79	6.5	0.90	7.1	1.00
	21	3.9	0.52	4.5	0.61	5.2	0.70	5.5	0.75	5.8	0.80	6.5	0.90	7.1	1.01
	23	3.9	0.53	4.5	0.62	5.2	0.71	5.5	0.76	5.8	0.82	6.5	0.92	7.1	1.03
	25	3.9	0.54	4.5	0.63	5.2	0.73	5.5	0.78	5.8	0.84	6.5	0.96	7.1	1.10
	27	3.9	0.55	4.5	0.65	5.2	0.77	5.5	0.83	5.8	0.89	6.5	1.03	7.1	1.17
	29	3.9	0.58	4.5	0.69	5.2	0.82	5.5	0.88	5.8	0.95	6.5	1.09	7.1	1.25
	31	3.9	0.61	4.5	0.73	5.2	0.87	5.5	0.94	5.8	1.01	6.5	1.16	7.1	1.33
	33	3.9	0.65	4.5	0.78	5.2	0.92	5.5	0.99	5.8	1.07	6.5	1.23	7.1	1.41
	35	3.9	0.68	4.5	0.82	5.2	0.97	5.5	1.05	5.8	1.13	6.5	1.31	7.1	1.50
	37	3.9	0.72	4.5	0.87	5.2	1.03	5.4	1.11	5.8	1.20	6.5	1.39	7.1	1.59
	39	3.9	0.76	4.5	0.91	5.2	1.08	5.3	1.18	5.8	1.27	6.5	1.47	7.1	1.69
41	3.7	0.86	4.3	1.03	4.9	1.22	5.3	1.22	5.5	1.31	6.2	1.52	6.8	1.74	
44	3.5	0.94	4.1	1.12	4.7	1.36	5.1	1.37	5.3	1.41	6.0	1.60	6.6	1.83	
47	3.3	1.25	4.0	1.49	4.6	1.42	4.9	1.39	5.2	1.51	5.8	1.72	6.4	1.96	
50	3.1	1.22	3.6	1.47	4.2	1.50	4.4	1.51	4.7	1.61	5.2	1.83	5.8	2.05	
52	2.4	1.03	2.8	1.24	3.2	1.28	3.5	1.37	3.7	1.45	4.3	1.64	4.8	1.80	

Dc Inverter Multi VRF System Technical Sales Guide

GMV-121WL/A-T

TC—Total capacity of outdoor unit; PI—Power input of outdoor unit

Combination	Outdoor air temp(°C DB)	Indoor air temp													
		14.0°C WB		16.0°C WB		18.0°C WB		19.0°C WB		20.0°C WB		22.0°C WB		24.0°C WB	
		20.0°C DB		23.0°C DB		26.0°C DB		27.0°C DB		28.0°C DB		30.0°C DB		32.0°C DB	
		TC	PI	TC	PI	TC	PI	TC	PI	TC	PI	TC	PI	TC	PI
		kW	kW	kW	kW	kW	kW	kW	kW	kW	kW	kW	kW	kW	
135%	-5	10.6	1.42	12.7	1.72	14.7	1.74	15.3	1.75	15.6	1.76	15.9	1.78	16.4	1.80
	0	10.6	1.42	12.7	1.73	14.7	1.75	15.3	1.76	15.6	1.77	15.9	1.79	16.4	1.81
	4	10.6	1.42	12.7	1.73	14.7	1.75	15.3	1.76	15.6	1.77	15.9	1.79	16.4	1.81
	7	10.6	1.45	12.7	1.76	14.7	1.79	15.3	1.80	15.6	1.81	15.8	1.83	16.2	1.85
	10	10.6	1.47	12.7	1.80	14.7	2.14	15.3	2.19	15.4	2.15	15.8	2.06	16.2	1.96
	12	10.6	1.50	12.7	1.84	14.7	2.19	15.0	2.18	15.3	2.13	15.6	2.04	16.0	2.01
	14	10.6	1.53	12.7	1.87	14.6	2.21	14.9	2.17	15.0	2.12	15.4	2.10	15.8	2.13
	16	10.6	1.56	12.7	1.91	14.5	2.20	14.6	2.19	14.8	2.20	15.2	2.22	15.6	2.24
	18	10.6	1.59	12.7	1.95	14.3	2.29	14.4	2.30	14.6	2.31	15.0	2.33	15.4	2.35
	20	10.6	1.62	12.7	2.07	14.0	2.40	14.3	2.41	14.4	2.42	14.8	2.45	15.2	2.47
	21	10.6	1.66	12.7	2.15	14.0	2.45	14.2	2.47	14.3	2.48	14.7	2.51	15.1	2.53
	23	10.6	1.79	12.7	2.30	13.8	2.57	14.0	2.58	14.1	2.59	14.5	2.62	14.9	2.64
	25	10.6	1.91	12.7	2.47	13.6	2.68	13.8	2.69	14.0	2.71	14.3	2.73	14.7	2.76
	27	10.6	2.04	12.7	2.64	13.4	2.36	13.6	2.81	13.7	2.82	14.1	2.85	14.5	2.88
	29	10.6	2.17	12.7	2.82	13.2	2.90	13.4	2.92	13.6	2.94	14.0	2.97	14.3	3.00
	31	10.6	2.32	12.6	2.98	13.0	3.02	13.2	3.04	13.4	3.05	13.7	3.08	14.1	3.12
	33	10.6	2.47	12.4	3.10	12.8	3.13	13.0	3.15	13.2	3.17	13.6	3.20	13.9	3.24
	35	10.6	2.64	12.2	3.21	12.6	3.25	12.8	3.26	13.0	3.28	13.4	3.32	13.7	3.36
	37	10.6	2.80	12.0	3.33	12.4	3.36	12.6	3.38	12.8	3.40	13.1	3.44	13.5	3.48
	39	10.6	2.98	11.8	3.44	12.2	3.48	12.4	3.50	12.6	3.52	13.0	3.56	13.4	3.60
41	10.0	3.32	11.6	4.04	11.9	4.09	12.2	3.79	12.3	3.81	12.7	3.85	13.1	3.89	
44	9.4	3.61	11.0	4.40	11.4	4.55	11.6	4.28	11.8	4.10	12.2	4.05	12.6	4.09	
47	8.8	4.80	10.6	5.85	11.0	4.77	11.2	4.34	11.4	4.36	11.8	4.35	12.2	4.40	
50	8.1	4.72	9.5	5.74	9.8	5.03	10.0	4.70	10.2	4.66	10.5	4.65	11.0	4.60	
52	6.1	3.98	7.1	4.85	7.4	4.29	7.5	4.28	7.8	4.20	8.4	4.15	8.9	4.03	

Combination	Outdoor air temp (°C DB)	Indoor air temp													
		14.0°C WB		16.0°C WB		18.0°C WB		19.0°C WB		20.0°C WB		22.0°C WB		24.0°C WB	
		20.0°C DB		23.0°C DB		26.0°C DB		27.0°C DB		28.0°C DB		30.0°C DB		32.0°C DB	
		TC	PI	TC	PI	TC	PI	TC	PI	TC	PI	TC	PI	TC	PI
		kW	kW	kW	kW	kW	kW	kW	kW	kW	kW	kW	kW	kW	
120%	-5	9.8	1.26	12.1	1.63	14.4	1.73	14.9	1.74	15.3	1.75	15.6	1.77	16.1	1.79
	0	9.8	1.26	12.1	1.63	14.4	1.74	14.9	1.74	15.3	1.75	15.6	1.77	16.1	1.79
	4	9.8	1.27	12.1	1.64	14.4	1.74	14.9	1.75	15.3	1.76	15.6	1.78	16.1	1.80
	7	9.8	1.29	12.1	1.67	14.4	1.77	14.9	1.78	15.3	1.79	15.5	1.81	15.8	1.83
	10	9.8	1.35	11.7	1.64	13.6	1.95	14.5	2.11	15.2	2.20	15.6	2.12	15.9	2.04
	12	9.8	1.37	11.7	1.67	13.6	1.99	14.5	2.15	15.0	2.19	15.3	2.11	15.7	2.02
	14	9.8	1.40	11.7	1.71	13.6	2.03	14.5	2.20	14.8	2.18	15.2	2.10	15.5	2.11
	16	9.8	1.42	11.7	1.74	13.6	2.07	14.4	2.21	14.6	2.18	15.0	2.20	15.3	2.22
	18	9.8	1.45	11.7	1.78	13.6	2.14	14.2	2.29	14.4	2.29	14.7	2.32	15.1	2.34
	20	9.8	1.48	11.7	1.85	13.6	2.30	14.0	2.40	14.2	2.41	14.6	2.43	14.9	2.45
	21	9.8	1.49	11.7	1.91	13.6	2.38	13.9	2.45	14.1	2.46	14.5	2.48	14.8	2.51
	23	9.8	1.60	11.7	2.05	13.6	2.55	13.7	2.56	13.9	2.57	14.3	2.60	14.6	2.62
	25	9.8	1.70	11.7	2.19	13.4	2.67	13.5	2.67	13.7	2.69	14.1	2.71	14.4	2.74
	27	9.8	1.82	11.7	2.34	13.2	2.77	13.4	2.79	13.5	2.80	13.9	2.83	14.2	2.85
	29	9.8	1.94	11.7	2.50	13.0	2.89	13.1	2.90	13.3	2.92	13.7	2.95	14.0	2.97
	31	9.8	2.07	11.7	2.67	12.8	3.00	13.0	3.01	13.1	3.03	13.5	3.06	13.8	3.09
	33	9.8	2.20	11.7	2.85	12.6	3.11	12.7	3.13	12.9	3.14	13.3	3.18	13.6	3.21
	35	9.8	2.35	11.7	3.04	12.4	3.23	12.5	3.24	12.7	3.26	13.1	3.29	13.4	3.33
	37	9.8	2.50	11.7	3.23	12.2	3.34	12.4	3.36	12.5	3.38	12.9	3.41	13.2	3.45
	39	9.8	2.66	11.6	3.42	12.0	3.45	12.1	3.48	12.3	3.49	12.7	3.53	13.1	3.57
41	9.3	2.96	11.1	3.83	11.7	4.06	11.9	3.76	12.1	3.78	12.5	3.82	12.8	3.86	
44	8.6	3.21	10.5	4.16	11.2	4.52	11.4	4.25	11.6	4.08	12.0	4.02	12.4	4.06	
47	8.1	4.28	10.2	5.53	10.8	4.74	11.0	4.31	11.2	4.34	11.6	4.32	12.0	4.36	
50	7.5	4.20	9.1	5.43	9.7	5.00	9.8	4.67	10.0	4.63	10.3	4.61	10.8	4.56	
52	5.7	3.54	6.8	4.58	7.2	4.26	7.4	4.25	7.6	4.17	8.2	4.12	8.7	4.00	

Dc Inverter Multi VRF System Technical Sales Guide

Combination	Outdoor air temp (°C DB)	Indoor air temp													
		14.0°C WB		16.0°C WB		18.0°C WB		19.0°C WB		20.0°C WB		22.0°C WB		24.0°C WB	
		20.0°C DB		23.0°C DB		26.0°C DB		27.0°C DB		28.0°C DB		30.0°C DB		32.0°C DB	
		TC	PI	TC	PI	TC	PI	TC	PI	TC	PI	TC	PI	TC	PI
		kW	kW	kW	kW	kW	kW	kW	kW	kW	kW	kW	kW	kW	
110%	-5	9.0	1.11	11.1	1.43	14.2	1.72	14.7	1.73	15.0	1.74	15.3	1.76	15.7	1.77
	0	9.0	1.12	11.1	1.44	14.2	1.72	14.7	1.73	15.0	1.74	15.3	1.76	15.7	1.77
	4	9.0	1.12	11.1	1.44	14.2	1.73	14.7	1.74	15.0	1.75	15.3	1.77	15.7	1.78
	7	9.0	1.14	11.1	1.47	14.2	1.76	14.7	1.77	15.0	1.78	15.2	1.80	15.5	1.81
	10	9.0	1.22	10.7	1.49	12.4	1.77	13.3	1.91	14.2	2.06	15.3	2.18	15.6	2.11
	12	9.0	1.25	10.7	1.52	12.4	1.80	13.3	1.95	14.2	2.10	15.1	2.17	15.4	2.10
	14	9.0	1.27	10.7	1.54	12.4	1.84	13.3	1.98	14.2	2.13	14.9	2.17	15.2	2.09
	16	9.0	1.29	10.7	1.57	12.4	1.87	13.3	2.02	14.2	2.18	14.7	2.19	15.0	2.21
	18	9.0	1.32	10.7	1.60	12.4	1.91	13.3	2.08	14.2	2.28	14.5	2.30	14.8	2.32
	20	9.0	1.34	10.7	1.64	12.4	2.02	13.3	2.23	14.0	2.39	14.3	2.41	14.6	2.43
	21	9.0	1.35	10.7	1.69	12.4	2.10	13.3	2.32	13.9	2.45	14.2	2.47	14.5	2.49
	23	9.0	1.42	10.7	1.81	12.4	2.25	13.3	2.48	13.7	2.56	14.0	2.58	14.3	2.60
	25	9.0	1.51	10.7	1.93	12.4	2.40	13.3	2.66	13.5	2.67	13.8	2.70	14.1	2.72
	27	9.0	1.61	10.7	2.07	12.4	2.57	13.1	2.77	13.3	2.78	13.6	2.81	13.9	2.83
	29	9.0	1.72	10.7	2.20	12.4	2.75	12.9	2.89	13.1	2.90	13.4	2.92	13.7	2.95
	31	9.0	1.83	10.7	2.35	12.4	2.93	12.7	3.00	12.9	3.01	13.2	3.04	13.5	3.07
	33	9.0	1.95	10.7	2.51	12.4	3.09	12.5	3.11	12.7	3.12	13.0	3.15	13.4	3.18
	35	9.0	2.07	10.7	2.67	12.2	3.20	12.3	3.22	12.5	3.24	12.8	3.27	13.1	3.30
	37	9.0	2.21	10.7	2.84	12.0	3.32	12.1	3.33	12.3	3.35	12.6	3.39	12.9	3.42
	39	9.0	2.35	10.7	3.03	11.8	3.43	11.9	3.45	12.1	3.47	12.4	3.50	12.7	3.54
41	8.5	2.61	10.2	3.36	11.6	4.04	11.7	3.74	11.9	3.76	12.2	3.79	12.5	3.83	
44	7.9	2.84	9.6	3.66	11.0	4.49	11.2	4.22	11.4	4.05	11.7	3.99	12.1	4.03	
47	7.5	3.78	9.3	4.87	10.7	4.71	10.8	4.28	11.0	4.31	11.3	4.28	11.7	4.32	
50	6.8	3.71	8.4	4.78	9.5	4.97	9.6	4.64	9.8	4.60	10.1	4.58	10.5	4.52	
52	5.2	3.13	6.2	4.03	7.1	4.23	7.3	4.22	7.5	4.15	8.1	4.09	8.5	3.96	

Combination	Outdoor air temp (°C DB)	Indoor air temp													
		14.0°C WB		16.0°C WB		18.0°C WB		19.0°C WB		20.0°C WB		22.0°C WB		24.0°C WB	
		20.0°C DB		23.0°C DB		26.0°C DB		27.0°C DB		28.0°C DB		30.0°C DB		32.0°C DB	
		TC	PI	TC	PI	TC	PI	TC	PI	TC	PI	TC	PI	TC	PI
		kW	kW	kW	kW	kW	kW	kW	kW	kW	kW	kW	kW	kW	
100%	-5	8.2	0.97	10.1	1.25	13.2	1.56	14.4	1.72	14.7	1.73	15.0	1.74	15.3	1.76
	0	8.2	0.98	10.1	1.25	13.2	1.56	14.4	1.72	14.7	1.73	15.0	1.75	15.3	1.76
	4	8.2	0.98	10.1	1.25	13.2	1.56	14.4	1.73	14.7	1.74	15.0	1.75	15.3	1.77
	7	8.2	1.00	10.1	1.28	13.2	1.59	14.4	1.76	14.7	1.77	14.8	1.78	15.1	1.80
	10	8.2	1.10	9.7	1.34	11.3	1.59	12.1	1.71	12.9	1.85	14.5	2.09	15.3	2.18
	12	8.2	1.12	9.7	1.36	11.3	1.61	12.1	1.74	12.9	1.89	14.5	2.13	15.1	2.16
	14	8.2	1.14	9.7	1.38	11.3	1.64	12.1	1.77	12.9	1.92	14.5	2.17	14.9	2.14
	16	8.2	1.16	9.7	1.41	11.3	1.67	12.1	1.81	12.9	1.96	14.4	2.22	14.7	2.19
	18	8.2	1.19	9.7	1.45	11.3	1.70	12.1	1.84	12.9	2.00	14.2	2.26	14.5	2.29
	20	8.2	1.21	9.7	1.47	11.3	1.76	12.1	1.94	12.9	2.13	14.0	2.38	14.3	2.41
	21	8.2	1.22	9.7	1.48	11.3	1.82	12.1	2.01	12.9	2.20	13.9	2.46	14.2	2.48
	23	8.2	1.25	9.7	1.58	11.3	1.96	12.1	2.16	12.9	2.37	13.7	2.60	14.0	2.62
	25	8.2	1.33	9.7	1.68	11.3	2.08	12.1	2.29	12.9	2.53	13.5	2.70	13.8	2.72
	27	8.2	1.42	9.7	1.80	11.3	2.23	12.1	2.46	12.9	2.72	13.3	2.79	13.6	2.82
	29	8.2	1.51	9.7	1.92	11.3	2.39	12.1	2.63	12.8	2.88	13.1	2.92	13.4	2.95
	31	8.2	1.60	9.7	2.05	11.3	2.55	12.1	2.84	12.7	2.99	12.8	3.04	13.2	3.07
	33	8.2	1.71	9.7	2.18	11.3	2.72	12.1	3.00	12.4	3.10	12.8	3.13	13.0	3.16
	35	8.2	1.81	9.7	2.32	11.3	2.90	12.1	3.2	12.2	3.22	12.5	3.24	12.8	3.27
	37	8.2	1.93	9.7	2.47	11.3	3.08	11.9	3.3	12.1	3.33	12.3	3.36	12.6	3.39
	39	8.2	2.06	9.7	2.63	11.3	3.28	11.7	3.42	11.8	3.44	12.2	3.47	12.3	3.50
41	7.7	2.29	9.2	2.93	10.8	3.65	11.5	3.71	11.6	3.73	11.9	3.76	12.2	3.80	
44	7.2	2.49	8.8	3.18	10.2	4.05	11.0	4.19	11.2	4.02	11.5	3.96	11.8	3.99	
47	6.8	3.31	8.5	4.23	9.9	4.26	10.6	4.26	10.8	4.28	11.1	4.25	11.4	4.29	
50	6.2	3.25	7.6	4.16	8.8	4.49	9.5	4.61	9.6	4.57	9.9	4.54	10.3	4.49	
52	4.7	2.74	5.6	3.51	6.6	3.82	7.1	4.19	7.3	4.12	7.9	4.06	8.3	3.93	

Dc Inverter Multi VRF System Technical Sales Guide

Combination	Outdoor air temp (°C DB)	Indoor air temp													
		14.0°C WB		16.0°C WB		18.0°C WB		19.0°C WB		20.0°C WB		22.0°C WB		24.0°C WB	
		20.0°C DB		23.0°C DB		26.0°C DB		27.0°C DB		28.0°C DB		30.0°C DB		32.0°C DB	
		TC	PI	TC	PI	TC	PI	TC	PI	TC	PI	TC	PI	TC	PI
		kW	kW	kW	kW	kW	kW	kW	kW	kW	kW	kW	kW	kW	
90%	-5	8.0	0.85	9.7	1.08	12.5	1.33	13.6	1.47	14.5	1.61	15.3	1.73	15.6	1.74
	0	8.0	0.85	9.7	1.08	12.5	1.33	13.6	1.47	14.5	1.62	15.3	1.73	15.6	1.75
	4	8.0	0.85	9.7	1.08	12.5	1.34	13.6	1.48	14.5	1.62	15.3	1.74	15.6	1.75
	7	8.0	0.87	9.7	1.10	12.5	1.36	13.6	1.50	14.5	1.65	15.1	1.77	15.4	1.78
	10	8.0	0.96	9.4	1.16	10.8	1.35	11.5	1.53	12.2	1.62	13.6	1.86	15.0	2.11
	12	8.0	0.98	9.4	1.17	10.8	1.37	11.5	1.55	12.2	1.66	13.6	1.89	15.0	2.14
	14	8.0	0.99	9.4	1.19	10.8	1.40	11.5	1.57	12.2	1.69	13.6	1.93	15.0	2.17
	16	8.0	1.02	9.4	1.22	10.8	1.43	11.5	1.61	12.2	1.72	13.6	1.97	15.0	2.21
	18	8.0	1.04	9.4	1.25	10.8	1.46	11.5	1.64	12.2	1.76	13.6	2.02	14.9	2.29
	20	8.0	1.05	9.4	1.27	10.8	1.50	11.5	1.67	12.2	1.83	13.6	2.17	14.6	2.39
	21	8.0	1.06	9.4	1.28	10.8	1.55	11.5	1.73	12.2	1.89	13.6	2.24	14.5	2.44
	23	8.0	1.09	9.4	1.37	10.8	1.67	11.5	1.86	12.2	2.03	13.6	2.41	14.3	2.57
	25	8.0	1.16	9.4	1.45	10.8	1.78	11.5	1.98	12.2	2.17	13.6	2.57	14.1	2.67
	27	8.0	1.24	9.4	1.55	10.8	1.91	11.5	2.11	12.2	2.32	13.6	2.75	13.9	2.79
	29	8.0	1.31	9.4	1.66	10.8	2.04	11.5	2.26	12.2	2.48	13.5	2.88	13.7	2.90
	31	8.0	1.40	9.4	1.77	10.8	2.18	11.5	2.41	12.2	2.64	13.3	2.98	13.5	3.02
	33	8.0	1.49	9.4	1.88	10.8	2.32	11.5	2.56	12.2	2.81	13.1	3.10	13.4	3.13
	35	8.0	1.58	9.4	2.00	10.8	2.47	11.5	2.73	12.2	3.01	12.9	3.22	13.1	3.25
	37	8.0	1.69	9.4	2.13	10.8	2.63	11.3	2.83	12.2	3.22	12.7	3.33	13.0	3.32
	39	8.0	1.80	9.4	2.27	10.8	2.81	11.2	2.92	12.2	3.41	12.5	3.46	12.7	3.45
41	7.6	1.99	8.9	2.52	10.3	3.12	11.0	3.17	11.6	3.49	12.3	3.73	12.5	3.76	
44	7.1	2.17	8.5	2.74	9.8	3.46	10.5	3.58	11.2	3.76	11.8	3.92	12.1	3.96	
47	6.7	2.89	8.2	3.65	9.5	3.64	10.2	3.63	10.8	4.00	11.5	4.21	11.8	4.25	
50	6.2	2.83	7.4	3.59	8.6	3.83	9.1	3.94	9.7	4.27	10.3	4.50	10.6	4.45	
52	4.8	2.39	5.7	3.02	6.6	3.26	7.0	3.58	7.6	3.85	8.3	4.02	8.8	3.89	

Combination	Outdoor air temp (°C DB)	Indoor air temp													
		14.0°C WB		16.0°C WB		18.0°C WB		19.0°C WB		20.0°C WB		22.0°C WB		24.0°C WB	
		20.0°C DB		23.0°C DB		26.0°C DB		27.0°C DB		28.0°C DB		30.0°C DB		32.0°C DB	
		TC	PI	TC	PI	TC	PI	TC	PI	TC	PI	TC	PI	TC	PI
		kW	kW	kW	kW	kW	kW	kW	kW	kW	kW	kW	kW	kW	
80%	-5	7.1	0.73	8.7	0.91	11.2	1.13	12.1	1.24	12.9	1.35	14.4	1.61	15.2	1.72
	0	7.1	0.74	8.7	0.91	11.2	1.13	12.1	1.24	12.9	1.36	14.4	1.61	15.2	1.73
	4	7.1	0.74	8.7	0.91	11.2	1.13	12.1	1.25	12.9	1.36	14.4	1.62	15.2	1.73
	7	7.1	0.75	8.7	0.93	11.2	1.15	12.1	1.27	12.9	1.39	14.3	1.65	15.0	1.76
	10	7.1	0.88	8.4	1.05	9.7	1.23	10.3	1.33	10.9	1.42	12.2	1.62	13.4	1.89
	12	7.1	0.89	8.4	1.07	9.7	1.25	10.3	1.35	10.9	1.45	12.2	1.65	13.4	1.87
	14	7.1	0.91	8.4	1.09	9.7	1.28	10.3	1.38	10.9	1.48	12.2	1.68	13.4	1.91
	16	7.1	0.92	8.4	1.10	9.7	1.30	10.3	1.40	10.9	1.50	12.2	1.72	13.4	1.98
	18	7.1	0.94	8.4	1.13	9.7	1.33	10.3	1.43	10.9	1.53	12.2	1.76	13.4	2.12
	20	7.1	0.95	8.4	1.15	9.7	1.35	10.3	1.46	10.9	1.56	12.2	1.82	13.4	2.20
	21	7.1	0.96	8.4	1.16	9.7	1.37	10.3	1.47	10.9	1.60	12.2	1.89	13.4	2.35
	23	7.1	0.98	8.4	1.18	9.7	1.43	10.3	1.57	10.9	1.71	12.2	2.02	13.4	2.52
	25	7.1	1.01	8.4	1.25	9.7	1.53	10.3	1.68	10.9	1.82	12.2	2.16	13.4	2.69
	27	7.1	1.07	8.4	1.34	9.7	1.63	10.3	1.79	10.9	1.96	12.2	2.31	13.4	2.78
	29	7.1	1.14	8.4	1.42	9.7	1.74	10.3	1.91	10.9	2.09	12.2	2.46	13.4	2.88
	31	7.1	1.21	8.4	1.51	9.7	1.85	10.3	2.03	10.9	2.22	12.2	2.63	13.2	2.99
	33	7.1	1.29	8.4	1.69	9.7	1.97	10.3	2.16	10.9	2.37	12.2	2.80	13.1	3.09
	35	7.1	1.37	8.4	1.69	9.7	2.10	10.3	2.31	10.9	2.52	12.2	2.99	12.8	3.21
	37	7.1	1.45	8.4	1.82	9.7	2.23	10.1	2.46	10.9	2.69	12.2	3.19	12.7	3.33
	39	7.1	1.54	8.4	1.93	9.7	2.37	10.0	2.62	10.9	2.86	12.2	3.40	12.4	3.45
41	6.8	1.72	8.0	2.12	9.2	2.64	9.8	2.68	10.4	2.93	11.6	3.47	12.3	3.72	
44	6.4	1.87	7.6	2.31	8.8	2.93	9.4	3.02	10.0	3.15	11.2	3.65	11.9	3.91	
47	6.0	2.49	7.4	3.07	8.5	3.08	9.1	3.07	9.6	3.35	10.9	3.92	11.5	4.20	
50	5.6	2.45	6.7	3.02	7.7	3.25	8.2	3.32	8.7	3.58	9.8	4.19	10.4	4.39	
52	4.4	2.06	5.1	2.55	5.9	2.77	6.3	3.02	6.8	3.23	7.9	3.74	8.6	3.85	

Dc Inverter Multi VRF System Technical Sales Guide

Combination	Outdoor air temp (°C DB)	Indoor air temp													
		14.0°C WB		16.0°C WB		18.0°C WB		19.0°C WB		20.0°C WB		22.0°C WB		24.0°C WB	
		20.0°C DB		23.0°C DB		26.0°C DB		27.0°C DB		28.0°C DB		30.0°C DB		32.0°C DB	
		TC	PI	TC	PI	TC	PI	TC	PI	TC	PI	TC	PI	TC	PI
	kW	kW	kW	kW	kW	kW	kW	kW	kW	kW	kW	kW	kW	kW	
70%	-5	6.3	0.63	7.7	0.77	9.9	0.94	10.7	1.03	11.4	1.12	12.7	1.32	14.0	1.54
	0	6.3	0.63	7.7	0.77	9.9	0.94	10.7	1.03	11.4	1.12	12.7	1.32	14.0	1.54
	4	6.3	0.63	7.7	0.78	9.9	0.94	10.7	1.03	11.4	1.13	12.7	1.33	14.0	1.54
	7	6.3	0.64	7.7	0.79	9.9	0.96	10.7	1.05	11.4	1.15	12.6	1.35	13.9	1.57
	10	6.3	0.77	7.4	0.91	8.5	1.07	9.1	1.15	9.6	1.23	10.7	1.40	11.8	1.57
	12	6.3	0.78	7.4	0.93	8.5	1.09	9.1	1.17	9.6	1.25	10.7	1.42	11.8	1.60
	14	6.3	0.79	7.4	0.94	8.5	1.10	9.1	1.19	9.6	1.27	10.7	1.45	11.8	1.63
	16	6.3	0.81	7.4	0.96	8.5	1.13	9.1	1.21	9.6	1.30	10.7	1.47	11.8	1.66
	18	6.3	0.82	7.4	0.98	8.5	1.15	9.1	1.23	9.6	1.32	10.7	1.51	11.8	1.69
	20	6.3	0.83	7.4	1.00	8.5	1.17	9.1	1.25	9.6	1.35	10.7	1.54	11.8	1.74
	21	6.3	0.84	7.4	1.00	8.5	1.18	9.1	1.27	9.6	1.36	10.7	1.55	11.8	1.80
	23	6.3	0.85	7.4	1.02	8.5	1.20	9.1	1.31	9.6	1.43	10.7	1.67	11.8	1.93
	25	6.3	0.87	7.4	1.07	8.5	1.28	9.1	1.40	9.6	1.52	10.7	1.79	11.8	2.07
	27	6.3	0.92	7.4	1.13	8.5	1.37	9.1	1.49	9.6	1.63	10.7	1.91	11.8	2.21
	29	6.3	0.98	7.4	1.20	8.5	1.45	9.1	1.59	9.6	1.73	10.7	2.03	11.8	2.36
	31	6.3	1.04	7.4	1.28	8.5	1.55	9.1	1.69	9.6	1.84	10.7	2.16	11.8	2.51
	33	6.3	1.10	7.4	1.36	8.5	1.65	9.1	1.80	9.6	1.96	10.7	2.31	11.8	2.68
	35	6.3	1.16	7.4	1.44	8.5	1.75	9.1	1.91	9.6	2.09	10.7	2.46	11.8	2.86
	37	6.3	1.23	7.4	1.53	8.5	1.86	8.9	2.04	9.6	2.22	10.7	2.62	11.8	3.04
	39	6.3	1.30	7.4	1.62	8.5	1.97	8.8	2.16	9.6	2.36	10.7	2.78	11.8	3.24
41	6.0	1.47	7.1	1.81	8.1	2.20	8.7	2.22	9.2	2.42	10.2	2.85	11.3	3.32	
44	5.6	1.60	6.7	1.97	7.8	2.45	8.3	2.51	8.8	2.61	9.9	3.00	10.9	3.49	
47	5.4	2.12	6.5	2.63	7.5	2.57	8.0	2.55	8.5	2.78	9.6	3.22	10.6	3.75	
50	5.0	2.08	5.9	2.58	6.8	2.71	7.2	2.76	7.7	2.96	8.6	3.44	9.6	3.92	
52	3.9	1.76	4.6	2.18	5.2	2.31	5.6	2.51	6.0	2.67	7.0	3.07	7.9	3.43	

Combination	Outdoor air temp (°C DB)	Indoor air temp													
		14.0°C WB		16.0°C WB		18.0°C WB		19.0°C WB		20.0°C WB		22.0°C WB		24.0°C WB	
		20.0°C DB		23.0°C DB		26.0°C DB		27.0°C DB		28.0°C DB		30.0°C DB		32.0°C DB	
		TC	PI	TC	PI	TC	PI	TC	PI	TC	PI	TC	PI	TC	PI
	kW	kW	kW	kW	kW	kW	kW	kW	kW	kW	kW	kW	kW	kW	
60%	-5	5.5	0.53	6.7	0.64	8.5	0.77	9.3	0.84	9.9	0.91	11.0	1.06	12.1	1.23
	0	5.5	0.53	6.7	0.64	8.5	0.77	9.3	0.84	9.9	0.91	11.0	1.06	12.1	1.23
	4	5.5	0.53	6.7	0.65	8.5	0.77	9.3	0.84	9.9	0.92	11.0	1.07	12.1	1.23
	7	5.5	0.54	6.7	0.66	8.5	0.79	9.3	0.86	9.9	0.93	10.9	1.09	12.0	1.26
	10	5.5	0.67	6.4	0.78	7.4	0.91	7.9	0.97	8.3	1.04	9.3	1.18	10.2	1.32
	12	5.5	0.68	6.4	0.80	7.4	0.93	7.9	0.99	8.3	1.06	9.3	1.20	10.2	1.34
	14	5.5	0.69	6.4	0.81	7.4	0.94	7.9	1.01	8.3	1.08	9.3	1.22	10.2	1.37
	16	5.5	0.70	6.4	0.82	7.4	0.96	7.9	1.03	8.3	1.10	9.3	1.24	10.2	1.39
	18	5.5	0.71	6.4	0.84	7.4	0.97	7.9	1.04	8.3	1.12	9.3	1.26	10.2	1.42
	20	5.5	0.72	6.4	0.85	7.4	0.99	7.9	1.07	8.3	1.14	9.3	1.29	10.2	1.45
	21	5.5	0.73	6.4	0.86	7.4	1.00	7.9	1.07	8.3	1.15	9.3	1.30	10.2	1.46
	23	5.5	0.74	6.4	0.88	7.4	1.02	7.9	1.10	8.3	1.17	9.3	1.35	10.2	1.56
	25	5.5	0.75	6.4	0.89	7.4	1.06	7.9	1.15	8.3	1.24	9.3	1.44	10.2	1.66
	27	5.5	0.78	6.4	0.94	7.4	1.13	7.9	1.22	8.3	1.32	9.3	1.54	10.2	1.77
	29	5.5	0.82	6.4	1.00	7.4	1.20	7.9	1.30	8.3	1.41	9.3	1.64	10.2	1.89
	31	5.5	0.88	6.4	1.07	7.4	1.27	7.9	1.38	8.3	1.50	9.3	1.75	10.2	2.01
	33	5.5	0.92	6.4	1.13	7.4	1.35	7.9	1.47	8.3	1.60	9.3	1.86	10.2	2.15
	35	5.5	0.98	6.4	1.19	7.4	1.43	7.9	1.56	8.3	1.69	9.3	1.98	10.2	2.29
	37	5.5	1.04	6.4	1.26	7.4	1.52	7.7	1.66	8.3	1.80	9.3	2.10	10.2	2.43
	39	5.5	1.09	6.4	1.34	7.4	1.61	7.6	1.76	8.3	1.91	9.3	2.23	10.2	2.59
41	5.2	1.23	6.1	1.51	7.1	1.80	7.5	1.81	8.0	1.97	8.9	2.30	9.8	2.65	
44	4.9	1.34	5.9	1.64	6.8	2.00	7.2	2.05	7.7	2.12	8.6	2.42	9.5	2.79	
47	4.7	1.78	5.7	2.18	6.5	2.10	7.0	2.08	7.4	2.25	8.3	2.59	9.2	2.99	
50	4.3	1.75	5.2	2.14	5.9	2.22	6.3	2.25	6.7	2.41	7.5	2.77	8.3	3.13	
52	3.4	1.48	4.0	1.80	4.6	1.89	4.9	2.05	5.2	2.17	6.1	2.47	6.9	2.74	

Dc Inverter Multi VRF System Technical Sales Guide

Combination	Outdoor air temp (°C DB)	Indoor air temp													
		14.0°C WB		16.0°C WB		18.0°C WB		19.0°C WB		20.0°C WB		22.0°C WB		24.0°C WB	
		20.0°C DB		23.0°C DB		26.0°C DB		27.0°C DB		28.0°C DB		30.0°C DB		32.0°C DB	
		TC	PI	TC	PI	TC	PI	TC	PI	TC	PI	TC	PI	TC	PI
		kW	kW	kW	kW	kW	kW	kW	kW	kW	kW	kW	kW	kW	
50%	-5	4.7	0.44	5.7	0.52	7.2	0.62	7.8	0.67	8.3	0.72	9.2	0.83	10.2	0.95
	0	4.7	0.44	5.7	0.52	7.2	0.62	7.8	0.67	8.3	0.72	9.2	0.84	10.2	0.96
	4	4.7	0.44	5.7	0.52	7.2	0.62	7.8	0.67	8.3	0.72	9.2	0.84	10.2	0.96
	7	4.7	0.45	5.7	0.53	7.2	0.63	7.8	0.68	8.3	0.74	9.2	0.85	10.1	0.98
	10	4.7	0.58	5.5	0.67	6.3	0.76	6.7	0.82	7.0	0.86	7.8	0.97	8.6	1.08
	12	4.7	0.58	5.5	0.68	6.3	0.78	6.7	0.82	7.0	0.88	7.8	0.99	8.6	1.10
	14	4.7	0.59	5.5	0.69	6.3	0.78	6.7	0.84	7.0	0.89	7.8	1.00	8.6	1.12
	16	4.7	0.60	5.5	0.69	6.3	0.80	6.7	0.85	7.0	0.91	7.8	1.02	8.6	1.14
	18	4.7	0.61	5.5	0.71	6.3	0.81	6.7	0.87	7.0	0.92	7.8	1.04	8.6	1.16
	20	4.7	0.62	5.5	0.72	6.3	0.82	6.7	0.88	7.0	0.94	7.8	1.06	8.6	1.18
	21	4.7	0.62	5.5	0.72	6.3	0.83	6.7	0.89	7.0	0.95	7.8	1.07	8.6	1.19
	23	4.7	0.63	5.5	0.73	6.3	0.85	6.7	0.91	7.0	0.97	7.8	1.09	8.6	1.22
	25	4.7	0.64	5.5	0.75	6.3	0.86	6.7	0.92	7.0	1.00	7.8	1.14	8.6	1.30
	27	4.7	0.65	5.5	0.78	6.3	0.91	6.7	0.98	7.0	1.06	7.8	1.22	8.6	1.39
	29	4.7	0.69	5.5	0.82	6.3	0.97	6.7	1.04	7.0	1.13	7.8	1.29	8.6	1.48
	31	4.7	0.72	5.5	0.87	6.3	1.03	6.7	1.11	7.0	1.19	7.8	1.38	8.6	1.57
	33	4.7	0.77	5.5	0.92	6.3	1.09	6.7	1.17	7.0	1.27	7.8	1.46	8.6	1.67
	35	4.7	0.81	5.5	0.97	6.3	1.15	6.7	1.24	7.0	1.34	7.8	1.55	8.6	1.78
	37	4.7	0.85	5.5	1.03	6.3	1.22	6.5	1.32	7.0	1.42	7.8	1.65	8.6	1.89
	39	4.7	0.90	5.5	1.08	6.3	1.29	6.5	1.39	7.0	1.51	7.8	1.75	8.6	2.01
41	4.5	1.02	5.2	1.22	6.0	1.45	6.4	1.44	6.7	1.56	7.5	1.80	8.3	2.06	
44	4.2	1.11	5.0	1.33	5.7	1.61	6.1	1.63	6.5	1.68	7.2	1.89	8.0	2.17	
47	4.0	1.48	4.8	1.77	5.6	1.69	5.9	1.65	6.3	1.78	7.0	2.03	7.8	2.33	
50	3.7	1.45	4.4	1.74	5.0	1.78	5.3	1.79	5.6	1.90	6.3	2.17	7.0	2.43	
52	3.0	1.22	3.4	1.47	3.9	1.51	4.2	1.63	4.5	1.72	5.2	1.94	5.8	2.13	

GMV-121WL/C-T

TC—Total capacity of outdoor unit; PI—Power input of outdoor unit

Combination	Outdoor air temp(°C DB)	Indoor air temp													
		14.0°C WB		16.0°C WB		18.0°C WB		19.0°C WB		20.0°C WB		22.0°C WB		24.0°C WB	
		20.0°C DB		23.0°C DB		26.0°C DB		27.0°C DB		28.0°C DB		30.0°C DB		32.0°C DB	
		TC	PI	TC	PI	TC	PI	TC	PI	TC	PI	TC	PI	TC	PI
		kW	kW	kW	kW	kW	kW	kW	kW	kW	kW	kW	kW	kW	
135%	-5	10.6	1.53	12.7	1.86	14.7	1.88	15.3	1.89	15.6	1.90	15.9	1.92	16.4	1.94
	0	10.6	1.53	12.7	1.86	14.7	1.88	15.3	1.89	15.6	1.90	15.9	1.93	16.4	1.95
	4	10.6	1.53	12.7	1.87	14.7	1.89	15.3	1.90	15.6	1.91	15.9	1.93	16.4	1.95
	7	10.6	1.56	12.7	1.90	14.7	1.93	15.3	1.94	15.6	1.95	15.8	1.97	16.2	1.99
	10	10.6	1.59	12.7	1.94	14.7	2.31	15.3	2.36	15.4	2.32	15.8	2.22	16.2	2.12
	12	10.6	1.62	12.7	1.98	14.7	2.36	15.0	2.35	15.3	2.30	15.6	2.20	16.0	2.17
	14	10.6	1.65	12.7	2.02	14.6	2.39	14.9	2.34	15.0	2.29	15.4	2.27	15.8	2.29
	16	10.6	1.68	12.7	2.06	14.5	2.38	14.6	2.36	14.8	2.37	15.2	2.39	15.6	2.41
	18	10.6	1.71	12.7	2.10	14.3	2.46	14.4	2.48	14.6	2.49	15.0	2.52	15.4	2.54
	20	10.6	1.75	12.7	2.24	14.0	2.59	14.3	2.60	14.4	2.61	14.8	2.64	15.2	2.66
	21	10.6	1.79	12.7	2.32	14.0	2.65	14.2	2.66	14.3	2.67	14.7	2.70	15.1	2.72
	23	10.6	1.92	12.7	2.48	13.8	2.77	14.0	2.78	14.1	2.79	14.5	2.82	14.9	2.85
	25	10.6	2.06	12.7	2.66	13.6	2.89	13.8	2.90	14.0	2.92	14.3	2.95	14.7	2.98
	27	10.6	2.19	12.7	2.85	13.4	2.54	13.6	3.03	13.7	3.04	14.1	3.07	14.5	3.11
	29	10.6	2.34	12.7	3.04	13.2	3.13	13.4	3.15	13.6	3.17	14.0	3.20	14.3	3.23
	31	10.6	2.50	12.6	3.22	13.0	3.25	13.2	3.27	13.4	3.29	13.7	3.32	14.1	3.36
	33	10.6	2.66	12.4	3.34	12.8	3.37	13.0	3.39	13.2	3.41	13.6	3.45	13.9	3.49
	35	10.6	2.84	12.2	3.46	12.6	3.50	12.8	3.52	13.0	3.54	13.4	3.58	13.7	3.62
	37	10.6	3.02	12.0	3.58	12.4	3.63	12.6	3.65	12.8	3.67	13.1	3.71	13.5	3.75
	39	10.6	3.22	11.8	3.71	12.2	3.75	12.4	3.77	12.6	3.79	13.0	3.84	13.4	3.88
41	10.0	3.58	11.6	4.36	11.9	4.41	12.2	4.08	12.3	4.10	12.7	4.15	13.1	4.20	
44	9.4	3.89	11.0	4.74	11.4	4.90	11.6	4.61	11.8	4.42	12.2	4.37	12.6	4.41	
47	8.8	5.18	10.6	6.31	11.0	5.15	11.2	4.68	11.4	4.71	11.8	4.69	12.2	4.74	
50	8.1	5.09	9.5	6.19	9.8	5.43	10.0	5.07	10.2	5.02	10.5	5.01	11.0	4.96	
52	6.1	4.29	7.1	5.22	7.4	4.62	7.5	4.61	7.8	4.53	8.4	4.48	8.9	4.34	

Dc Inverter Multi VRF System Technical Sales Guide

Combination	Outdoor air temp (°C DB)	Indoor air temp													
		14.0°C WB		16.0°C WB		18.0°C WB		19.0°C WB		20.0°C WB		22.0°C WB		24.0°C WB	
		20.0°C DB		23.0°C DB		26.0°C DB		27.0°C DB		28.0°C DB		30.0°C DB		32.0°C DB	
		TC	PI	TC	PI	TC	PI	TC	PI	TC	PI	TC	PI	TC	PI
		kW	kW	kW	kW	kW	kW	kW	kW	kW	kW	kW	kW	kW	
120%	-5	9.8	1.36	12.1	1.76	14.4	1.87	14.9	1.88	15.3	1.89	15.6	1.91	16.1	1.93
	0	9.8	1.36	12.1	1.76	14.4	1.87	14.9	1.88	15.3	1.89	15.6	1.91	16.1	1.93
	4	9.8	1.37	12.1	1.77	14.4	1.88	14.9	1.89	15.3	1.90	15.6	1.92	16.1	1.94
	7	9.8	1.39	12.1	1.80	14.4	1.91	14.9	1.92	15.3	1.93	15.5	1.95	15.8	1.97
	10	9.8	1.45	11.7	1.77	13.6	2.11	14.5	2.28	15.2	2.38	15.6	2.28	15.9	2.19
	12	9.8	1.48	11.7	1.80	13.6	2.15	14.5	2.32	15.0	2.36	15.3	2.27	15.7	2.18
	14	9.8	1.51	11.7	1.84	13.6	2.19	14.5	2.37	14.8	2.35	15.2	2.26	15.5	2.27
	16	9.8	1.53	11.7	1.88	13.6	2.23	14.4	2.39	14.6	2.35	15.0	2.38	15.3	2.39
	18	9.8	1.56	11.7	1.92	13.6	2.31	14.2	2.46	14.4	2.47	14.7	2.50	15.1	2.52
	20	9.8	1.59	11.7	1.99	13.6	2.48	14.0	2.59	14.2	2.59	14.6	2.62	14.9	2.64
	21	9.8	1.61	11.7	2.06	13.6	2.57	13.9	2.65	14.1	2.65	14.5	2.68	14.8	2.71
	23	9.8	1.72	11.7	2.21	13.6	2.75	13.7	2.76	13.9	2.78	14.3	2.80	14.6	2.83
	25	9.8	1.84	11.7	2.36	13.4	2.87	13.5	2.88	13.7	2.90	14.1	2.92	14.4	2.95
	27	9.8	1.96	11.7	2.52	13.2	2.99	13.4	3.01	13.5	3.02	13.9	3.05	14.2	3.08
	29	9.8	2.09	11.7	2.70	13.0	3.11	13.1	3.13	13.3	3.14	13.7	3.18	14.0	3.20
	31	9.8	2.23	11.7	2.88	12.8	3.24	13.0	3.25	13.1	3.27	13.5	3.30	13.8	3.33
	33	9.8	2.38	11.7	3.07	12.6	3.36	12.7	3.38	12.9	3.39	13.3	3.43	13.6	3.46
	35	9.8	2.53	11.7	3.27	12.4	3.48	12.5	3.50	12.7	3.52	13.1	3.55	13.4	3.59
	37	9.8	2.69	11.7	3.49	12.2	3.60	12.4	3.62	12.5	3.64	12.9	3.68	13.2	3.72
	39	9.8	2.86	11.6	3.68	12.0	3.72	12.1	3.75	12.3	3.77	12.7	3.81	13.1	3.85
41	9.3	3.19	11.1	4.12	11.7	4.38	11.9	4.06	12.1	4.08	12.5	4.12	12.8	4.16	
44	8.6	3.47	10.5	4.48	11.2	4.87	11.4	4.58	11.6	4.39	12.0	4.33	12.4	4.38	
47	8.1	4.61	10.2	5.97	10.8	5.11	11.0	4.65	11.2	4.68	11.6	4.65	12.0	4.70	
50	7.5	4.53	9.1	5.86	9.7	5.39	9.8	5.03	10.0	4.99	10.3	4.97	10.8	4.92	
52	5.7	3.82	6.8	4.94	7.2	4.59	7.4	4.58	7.6	4.50	8.2	4.44	8.7	4.31	

Combination	Outdoor air temp (°C DB)	Indoor air temp													
		14.0°C WB		16.0°C WB		18.0°C WB		19.0°C WB		20.0°C WB		22.0°C WB		24.0°C WB	
		20.0°C DB		23.0°C DB		26.0°C DB		27.0°C DB		28.0°C DB		30.0°C DB		32.0°C DB	
		TC	PI	TC	PI	TC	PI	TC	PI	TC	PI	TC	PI	TC	PI
	kW	kW	kW	kW	kW	kW	kW	kW	kW	kW	kW	kW	kW	kW	
110%	-5	9.0	1.20	11.1	1.55	14.2	1.86	14.7	1.87	15.0	1.88	15.3	1.89	15.7	1.91
	0	9.0	1.20	11.1	1.55	14.2	1.86	14.7	1.87	15.0	1.88	15.3	1.90	15.7	1.91
	4	9.0	1.21	11.1	1.55	14.2	1.87	14.7	1.88	15.0	1.89	15.3	1.90	15.7	1.92
	7	9.0	1.23	11.1	1.58	14.2	1.90	14.7	1.91	15.0	1.92	15.2	1.94	15.5	1.96
	10	9.0	1.32	10.7	1.60	12.4	1.91	13.3	2.06	14.2	2.22	15.3	2.35	15.6	2.27
	12	9.0	1.34	10.7	1.64	12.4	1.94	13.3	2.10	14.2	2.26	15.1	2.34	15.4	2.26
	14	9.0	1.37	10.7	1.66	12.4	1.98	13.3	2.14	14.2	2.30	14.9	2.34	15.2	2.26
	16	9.0	1.39	10.7	1.70	12.4	2.02	13.3	2.18	14.2	2.35	14.7	2.36	15.0	2.38
	18	9.0	1.42	10.7	1.73	12.4	2.06	13.3	2.24	14.2	2.46	14.5	2.48	14.8	2.50
	20	9.0	1.45	10.7	1.77	12.4	2.18	13.3	2.41	14.0	2.58	14.3	2.60	14.6	2.62
	21	9.0	1.46	10.7	1.82	12.4	2.26	13.3	2.50	13.9	2.64	14.2	2.66	14.5	2.68
	23	9.0	1.53	10.7	1.95	12.4	2.42	13.3	2.68	13.7	2.76	14.0	2.79	14.3	2.81
	25	9.0	1.63	10.7	2.08	12.4	2.59	13.3	2.87	13.5	2.88	13.8	2.91	14.1	2.93
	27	9.0	1.74	10.7	2.23	12.4	2.77	13.1	2.99	13.3	3.00	13.6	3.03	13.9	3.05
	29	9.0	1.86	10.7	2.38	12.4	2.96	12.9	3.11	13.1	3.12	13.4	3.15	13.7	3.18
	31	9.0	1.98	10.7	2.53	12.4	3.16	12.7	3.23	12.9	3.25	13.2	3.27	13.5	3.31
	33	9.0	2.10	10.7	2.70	12.4	3.33	12.5	3.35	12.7	3.37	13.0	3.40	13.4	3.43
	35	9.0	2.24	10.7	2.88	12.2	3.45	12.3	3.47	12.5	3.49	12.8	3.52	13.1	3.56
	37	9.0	2.38	10.7	3.06	12.0	3.58	12.1	3.59	12.3	3.61	12.6	3.65	12.9	3.68
	39	9.0	2.53	10.7	3.26	11.8	3.70	11.9	3.72	12.1	3.74	12.4	3.78	12.7	3.81
41	8.5	2.82	10.2	3.63	11.6	4.35	11.7	4.03	11.9	4.05	12.2	4.09	12.5	4.13	
44	7.9	3.06	9.6	3.94	11.0	4.84	11.2	4.55	11.4	4.36	11.7	4.30	12.1	4.34	
47	7.5	4.08	9.3	5.25	10.7	5.08	10.8	4.62	11.0	4.64	11.3	4.62	11.7	4.66	
50	6.8	4.00	8.4	5.15	9.5	5.35	9.6	5.00	9.8	4.96	10.1	4.93	10.5	4.87	
52	5.2	3.38	6.2	4.35	7.1	4.56	7.3	4.55	7.5	4.47	8.1	4.41	8.5	4.27	

Dc Inverter Multi VRF System Technical Sales Guide

Combination	Outdoor air temp (°C DB)	Indoor air temp													
		14.0°C WB		16.0°C WB		18.0°C WB		19.0°C WB		20.0°C WB		22.0°C WB		24.0°C WB	
		20.0°C DB		23.0°C DB		26.0°C DB		27.0°C DB		28.0°C DB		30.0°C DB		32.0°C DB	
		TC	PI	TC	PI	TC	PI	TC	PI	TC	PI	TC	PI	TC	PI
		kW	kW	kW	kW	kW	kW	kW	kW	kW	kW	kW	kW	kW	
100%	-5	8.2	1.05	10.1	1.34	13.2	1.68	14.4	1.85	14.7	1.86	15.0	1.88	15.3	1.90
	0	8.2	1.05	10.1	1.35	13.2	1.68	14.4	1.86	14.7	1.87	15.0	1.88	15.3	1.90
	4	8.2	1.06	10.1	1.35	13.2	1.69	14.4	1.86	14.7	1.87	15.0	1.89	15.3	1.91
	7	8.2	1.08	10.1	1.38	13.2	1.72	14.4	1.90	14.7	1.91	14.8	1.92	15.1	1.94
	10	8.2	1.19	9.7	1.45	11.3	1.71	12.1	1.85	12.9	1.99	14.5	2.26	15.3	2.35
	12	8.2	1.21	9.7	1.47	11.3	1.73	12.1	1.87	12.9	2.03	14.5	2.30	15.1	2.33
	14	8.2	1.23	9.7	1.49	11.3	1.76	12.1	1.91	12.9	2.07	14.5	2.34	14.9	2.31
	16	8.2	1.25	9.7	1.52	11.3	1.80	12.1	1.95	12.9	2.12	14.4	2.39	14.7	2.36
	18	8.2	1.28	9.7	1.56	11.3	1.84	12.1	1.99	12.9	2.16	14.2	2.43	14.5	2.47
	20	8.2	1.30	9.7	1.58	11.3	1.90	12.1	2.09	12.9	2.30	14.0	2.56	14.3	2.60
	21	8.2	1.32	9.7	1.60	11.3	1.96	12.1	2.16	12.9	2.37	13.9	2.65	14.2	2.67
	23	8.2	1.35	9.7	1.71	11.3	2.11	12.1	2.32	12.9	2.55	13.7	2.80	14.0	2.83
	25	8.2	1.44	9.7	1.82	11.3	2.25	12.1	2.47	12.9	2.73	13.5	2.91	13.8	2.93
	27	8.2	1.53	9.7	1.94	11.3	2.41	12.1	2.65	12.9	2.93	13.3	3.01	13.6	3.04
	29	8.2	1.62	9.7	2.07	11.3	2.58	12.1	2.84	12.8	3.10	13.1	3.15	13.4	3.18
	31	8.2	1.73	9.7	2.21	11.3	2.75	12.1	3.06	12.7	3.23	12.8	3.28	13.2	3.31
	33	8.2	1.84	9.7	2.35	11.3	2.93	12.1	3.24	12.4	3.35	12.8	3.38	13.0	3.41
	35	8.2	1.96	9.7	2.50	11.3	3.12	12.1	3.5	12.2	3.47	12.5	3.50	12.8	3.53
	37	8.2	2.08	9.7	2.67	11.3	3.33	11.9	3.6	12.1	3.59	12.3	3.62	12.6	3.65
	39	8.2	2.22	9.7	2.84	11.3	3.54	11.7	3.69	11.8	3.71	12.2	3.74	12.3	3.77
41	7.7	2.46	9.2	3.16	10.8	3.93	11.5	4.00	11.6	4.02	11.9	4.06	12.2	4.09	
44	7.2	2.68	8.8	3.43	10.2	4.37	11.0	4.52	11.2	4.33	11.5	4.27	11.8	4.31	
47	6.8	3.57	8.5	4.56	9.9	4.59	10.6	4.59	10.8	4.61	11.1	4.58	11.4	4.62	
50	6.2	3.50	7.6	4.48	8.8	4.84	9.5	4.97	9.6	4.92	9.9	4.90	10.3	4.84	
52	4.7	2.95	5.6	3.78	6.6	4.12	7.1	4.52	7.3	4.44	7.9	4.37	8.3	4.24	

Combination	Outdoor air temp (°C DB)	Indoor air temp													
		14.0°C WB		16.0°C WB		18.0°C WB		19.0°C WB		20.0°C WB		22.0°C WB		24.0°C WB	
		20.0°C DB		23.0°C DB		26.0°C DB		27.0°C DB		28.0°C DB		30.0°C DB		32.0°C DB	
		TC	PI	TC	PI	TC	PI	TC	PI	TC	PI	TC	PI	TC	PI
		kW	kW	kW	kW	kW	kW	kW	kW	kW	kW	kW	kW	kW	
90%	-5	8.0	0.92	9.7	1.16	12.5	1.43	13.6	1.58	14.5	1.74	15.3	1.86	15.6	1.88
	0	8.0	0.92	9.7	1.16	12.5	1.43	13.6	1.59	14.5	1.74	15.3	1.87	15.6	1.88
	4	8.0	0.92	9.7	1.17	12.5	1.44	13.6	1.59	14.5	1.75	15.3	1.87	15.6	1.89
	7	8.0	0.94	9.7	1.19	12.5	1.47	13.6	1.62	14.5	1.78	15.1	1.91	15.4	1.92
	10	8.0	1.04	9.4	1.25	10.8	1.46	11.5	1.65	12.2	1.75	13.6	2.01	15.0	2.27
	12	8.0	1.05	9.4	1.26	10.8	1.48	11.5	1.67	12.2	1.79	13.6	2.04	15.0	2.30
	14	8.0	1.07	9.4	1.29	10.8	1.51	11.5	1.69	12.2	1.82	13.6	2.08	15.0	2.34
	16	8.0	1.09	9.4	1.31	10.8	1.54	11.5	1.73	12.2	1.86	13.6	2.12	15.0	2.39
	18	8.0	1.12	9.4	1.34	10.8	1.57	11.5	1.76	12.2	1.89	13.6	2.17	14.9	2.47
	20	8.0	1.14	9.4	1.36	10.8	1.62	11.5	1.80	12.2	1.97	13.6	2.34	14.6	2.58
	21	8.0	1.15	9.4	1.38	10.8	1.68	11.5	1.86	12.2	2.04	13.6	2.41	14.5	2.63
	23	8.0	1.18	9.4	1.47	10.8	1.80	11.5	2.00	12.2	2.18	13.6	2.59	14.3	2.77
	25	8.0	1.25	9.4	1.57	10.8	1.92	11.5	2.13	12.2	2.34	13.6	2.77	14.1	2.88
	27	8.0	1.34	9.4	1.67	10.8	2.06	11.5	2.28	12.2	2.50	13.6	2.96	13.9	3.01
	29	8.0	1.42	9.4	1.79	10.8	2.20	11.5	2.43	12.2	2.67	13.5	3.10	13.7	3.13
	31	8.0	1.51	9.4	1.90	10.8	2.35	11.5	2.60	12.2	2.85	13.3	3.22	13.5	3.26
	33	8.0	1.60	9.4	2.03	10.8	2.50	11.5	2.76	12.2	3.03	13.1	3.35	13.4	3.38
	35	8.0	1.71	9.4	2.16	10.8	2.67	11.5	2.95	12.2	3.24	12.9	3.47	13.1	3.50
	37	8.0	1.82	9.4	2.30	10.8	2.84	11.3	3.05	12.2	3.47	12.7	3.59	13.0	3.58
	39	8.0	1.94	9.4	2.45	10.8	3.02	11.2	3.15	12.2	3.68	12.5	3.73	12.7	3.72
41	7.6	2.15	8.9	2.72	10.3	3.36	11.0	3.42	11.6	3.76	12.3	4.02	12.5	4.06	
44	7.1	2.34	8.5	2.96	9.8	3.73	10.5	3.86	11.2	4.05	11.8	4.23	12.1	4.27	
47	6.7	3.11	8.2	3.94	9.5	3.92	10.2	3.92	10.8	4.31	11.5	4.54	11.8	4.58	
50	6.2	3.05	7.4	3.87	8.6	4.13	9.1	4.24	9.7	4.60	10.3	4.85	10.6	4.79	
52	4.8	2.58	5.7	3.26	6.6	3.52	7.0	3.86	7.6	4.15	8.3	4.33	8.8	4.20	

Dc Inverter Multi VRF System Technical Sales Guide

Combination	Outdoor air temp (°C DB)	Indoor air temp													
		14.0°C WB		16.0°C WB		18.0°C WB		19.0°C WB		20.0°C WB		22.0°C WB		24.0°C WB	
		20.0°C DB		23.0°C DB		26.0°C DB		27.0°C DB		28.0°C DB		30.0°C DB		32.0°C DB	
		TC	PI	TC	PI	TC	PI	TC	PI	TC	PI	TC	PI	TC	PI
	kW	kW	kW	kW	kW	kW	kW	kW	kW	kW	kW	kW	kW	kW	
80%	-5	7.1	0.79	8.7	0.98	11.2	1.21	12.1	1.34	12.9	1.46	14.4	1.73	15.2	1.86
	0	7.1	0.79	8.7	0.98	11.2	1.22	12.1	1.34	12.9	1.46	14.4	1.74	15.2	1.86
	4	7.1	0.80	8.7	0.98	11.2	1.22	12.1	1.34	12.9	1.47	14.4	1.74	15.2	1.87
	7	7.1	0.81	8.7	1.00	11.2	1.24	12.1	1.37	12.9	1.50	14.3	1.77	15.0	1.90
	10	7.1	0.94	8.4	1.13	9.7	1.33	10.3	1.43	10.9	1.53	12.2	1.75	13.4	2.03
	12	7.1	0.96	8.4	1.15	9.7	1.35	10.3	1.46	10.9	1.56	12.2	1.78	13.4	2.02
	14	7.1	0.98	8.4	1.17	9.7	1.38	10.3	1.48	10.9	1.59	12.2	1.81	13.4	2.06
	16	7.1	0.99	8.4	1.19	9.7	1.40	10.3	1.51	10.9	1.62	12.2	1.85	13.4	2.14
	18	7.1	1.01	8.4	1.21	9.7	1.44	10.3	1.54	10.9	1.65	12.2	1.90	13.4	2.29
	20	7.1	1.03	8.4	1.24	9.7	1.46	10.3	1.57	10.9	1.68	12.2	1.96	13.4	2.37
	21	7.1	1.04	8.4	1.25	9.7	1.47	10.3	1.59	10.9	1.72	12.2	2.04	13.4	2.54
	23	7.1	1.06	8.4	1.27	9.7	1.54	10.3	1.69	10.9	1.84	12.2	2.18	13.4	2.71
	25	7.1	1.09	8.4	1.35	9.7	1.65	10.3	1.81	10.9	1.97	12.2	2.33	13.4	2.90
	27	7.1	1.16	8.4	1.44	9.7	1.76	10.3	1.93	10.9	2.11	12.2	2.49	13.4	3.00
	29	7.1	1.23	8.4	1.53	9.7	1.87	10.3	2.06	10.9	2.25	12.2	2.65	13.4	3.11
	31	7.1	1.31	8.4	1.63	9.7	1.99	10.3	2.19	10.9	2.40	12.2	2.83	13.2	3.22
	33	7.1	1.39	8.4	1.82	9.7	2.12	10.3	2.33	10.9	2.55	12.2	3.02	13.1	3.34
	35	7.1	1.47	8.4	1.82	9.7	2.26	10.3	2.49	10.9	2.72	12.2	3.23	12.8	3.46
	37	7.1	1.56	8.4	1.96	9.7	2.40	10.1	2.65	10.9	2.90	12.2	3.44	12.7	3.59
	39	7.1	1.66	8.4	2.08	9.7	2.56	10.0	2.82	10.9	3.08	12.2	3.66	12.4	3.72
41	6.8	1.86	8.0	2.29	9.2	2.85	9.8	2.89	10.4	3.15	11.6	3.74	12.3	4.01	
44	6.4	2.02	7.6	2.49	8.8	3.16	9.4	3.26	10.0	3.40	11.2	3.94	11.9	4.22	
47	6.0	2.69	7.4	3.31	8.5	3.32	9.1	3.31	9.6	3.62	10.9	4.23	11.5	4.53	
50	5.6	2.64	6.7	3.25	7.7	3.50	8.2	3.58	8.7	3.86	9.8	4.52	10.4	4.74	
52	4.4	2.23	5.1	2.75	5.9	2.98	6.3	3.26	6.8	3.48	7.9	4.03	8.6	4.15	

Combination	Outdoor air temp (°C DB)	Indoor air temp													
		14.0°C WB		16.0°C WB		18.0°C WB		19.0°C WB		20.0°C WB		22.0°C WB		24.0°C WB	
		20.0°C DB		23.0°C DB		26.0°C DB		27.0°C DB		28.0°C DB		30.0°C DB		32.0°C DB	
		TC	PI	TC	PI	TC	PI	TC	PI	TC	PI	TC	PI	TC	PI
		kW	kW	kW	kW	kW	kW	kW	kW	kW	kW	kW	kW	kW	kW
70%	-5	6.3	0.67	7.7	0.83	9.9	1.01	10.7	1.11	11.4	1.21	12.7	1.42	14.0	1.66
	0	6.3	0.68	7.7	0.84	9.9	1.01	10.7	1.11	11.4	1.21	12.7	1.43	14.0	1.66
	4	6.3	0.68	7.7	0.84	9.9	1.02	10.7	1.11	11.4	1.22	12.7	1.43	14.0	1.66
	7	6.3	0.69	7.7	0.85	9.9	1.04	10.7	1.14	11.4	1.24	12.6	1.46	13.9	1.70
	10	6.3	0.83	7.4	0.99	8.5	1.15	9.1	1.24	9.6	1.33	10.7	1.51	11.8	1.69
	12	6.3	0.84	7.4	1.00	8.5	1.17	9.1	1.26	9.6	1.35	10.7	1.53	11.8	1.73
	14	6.3	0.86	7.4	1.02	8.5	1.19	9.1	1.28	9.6	1.37	10.7	1.56	11.8	1.76
	16	6.3	0.87	7.4	1.04	8.5	1.21	9.1	1.31	9.6	1.40	10.7	1.59	11.8	1.79
	18	6.3	0.88	7.4	1.06	8.5	1.24	9.1	1.33	9.6	1.42	10.7	1.62	11.8	1.83
	20	6.3	0.90	7.4	1.07	8.5	1.26	9.1	1.35	9.6	1.45	10.7	1.66	11.8	1.88
	21	6.3	0.91	7.4	1.08	8.5	1.27	9.1	1.37	9.6	1.46	10.7	1.67	11.8	1.94
	23	6.3	0.92	7.4	1.10	8.5	1.30	9.1	1.41	9.6	1.54	10.7	1.80	11.8	2.08
	25	6.3	0.94	7.4	1.15	8.5	1.38	9.1	1.51	9.6	1.64	10.7	1.92	11.8	2.23
	27	6.3	1.00	7.4	1.22	8.5	1.47	9.1	1.61	9.6	1.75	10.7	2.06	11.8	2.38
	29	6.3	1.06	7.4	1.30	8.5	1.57	9.1	1.72	9.6	1.86	10.7	2.19	11.8	2.54
	31	6.3	1.12	7.4	1.38	8.5	1.67	9.1	1.82	9.6	1.99	10.7	2.33	11.8	2.71
	33	6.3	1.19	7.4	1.46	8.5	1.78	9.1	1.94	9.6	2.12	10.7	2.49	11.8	2.89
	35	6.3	1.26	7.4	1.55	8.5	1.88	9.1	2.06	9.6	2.25	10.7	2.65	11.8	3.08
37	6.3	1.33	7.4	1.65	8.5	2.00	8.9	2.19	9.6	2.39	10.7	2.82	11.8	3.28	
39	6.3	1.40	7.4	1.74	8.5	2.12	8.8	2.33	9.6	2.54	10.7	3.00	11.8	3.50	
41	6.0	1.58	7.1	1.96	8.1	2.37	8.7	2.39	9.2	2.61	10.2	3.07	11.3	3.58	
44	5.6	1.72	6.7	2.13	7.8	2.64	8.3	2.70	8.8	2.81	9.9	3.23	10.9	3.76	
47	5.4	2.29	6.5	2.83	7.5	2.77	8.0	2.75	8.5	2.99	9.6	3.47	10.6	4.04	
50	5.0	2.25	5.9	2.78	6.8	2.92	7.2	2.97	7.7	3.20	8.6	3.71	9.6	4.22	
52	3.9	1.90	4.6	2.34	5.2	2.49	5.6	2.70	6.0	2.88	7.0	3.31	7.9	3.70	

Dc Inverter Multi VRF System Technical Sales Guide

Combination	Outdoor air temp (°C DB)	Indoor air temp													
		14.0°C WB		16.0°C WB		18.0°C WB		19.0°C WB		20.0°C WB		22.0°C WB		24.0°C WB	
		20.0°C DB		23.0°C DB		26.0°C DB		27.0°C DB		28.0°C DB		30.0°C DB		32.0°C DB	
		TC	PI	TC	PI	TC	PI	TC	PI	TC	PI	TC	PI	TC	PI
		kW	kW	kW	kW	kW	kW	kW	kW	kW	kW	kW	kW	kW	
60%	-5	5.5	0.57	6.7	0.69	8.5	0.83	9.3	0.90	9.9	0.98	11.0	1.15	12.1	1.32
	0	5.5	0.57	6.7	0.69	8.5	0.83	9.3	0.91	9.9	0.98	11.0	1.15	12.1	1.33
	4	5.5	0.57	6.7	0.70	8.5	0.83	9.3	0.91	9.9	0.99	11.0	1.15	12.1	1.33
	7	5.5	0.58	6.7	0.71	8.5	0.85	9.3	0.93	9.9	1.01	10.9	1.17	12.0	1.36
	10	5.5	0.72	6.4	0.85	7.4	0.98	7.9	1.05	8.3	1.12	9.3	1.27	10.2	1.42
	12	5.5	0.73	6.4	0.86	7.4	1.00	7.9	1.07	8.3	1.14	9.3	1.29	10.2	1.45
	14	5.5	0.74	6.4	0.87	7.4	1.01	7.9	1.09	8.3	1.16	9.3	1.32	10.2	1.47
	16	5.5	0.75	6.4	0.89	7.4	1.03	7.9	1.11	8.3	1.18	9.3	1.34	10.2	1.50
	18	5.5	0.77	6.4	0.90	7.4	1.05	7.9	1.13	8.3	1.20	9.3	1.36	10.2	1.53
	20	5.5	0.78	6.4	0.92	7.4	1.07	7.9	1.15	8.3	1.23	9.3	1.39	10.2	1.56
	21	5.5	0.79	6.4	0.93	7.4	1.08	7.9	1.16	8.3	1.24	9.3	1.40	10.2	1.58
	23	5.5	0.80	6.4	0.94	7.4	1.10	7.9	1.18	8.3	1.26	9.3	1.46	10.2	1.68
	25	5.5	0.81	6.4	0.96	7.4	1.14	7.9	1.24	8.3	1.34	9.3	1.56	10.2	1.79
	27	5.5	0.84	6.4	1.02	7.4	1.21	7.9	1.32	8.3	1.43	9.3	1.66	10.2	1.91
	29	5.5	0.89	6.4	1.08	7.4	1.29	7.9	1.40	8.3	1.52	9.3	1.77	10.2	2.04
	31	5.5	0.94	6.4	1.15	7.4	1.37	7.9	1.49	8.3	1.62	9.3	1.88	10.2	2.17
	33	5.5	1.00	6.4	1.21	7.4	1.46	7.9	1.59	8.3	1.72	9.3	2.00	10.2	2.32
	35	5.5	1.06	6.4	1.29	7.4	1.54	7.9	1.68	8.3	1.83	9.3	2.13	10.2	2.46
	37	5.5	1.12	6.4	1.36	7.4	1.64	7.7	1.79	8.3	1.94	9.3	2.27	10.2	2.62
	39	5.5	1.18	6.4	1.44	7.4	1.73	7.6	1.89	8.3	2.06	9.3	2.41	10.2	2.79
41	5.2	1.33	6.1	1.62	7.1	1.95	7.5	1.95	8.0	2.12	8.9	2.48	9.8	2.86	
44	4.9	1.45	5.9	1.76	6.8	2.16	7.2	2.20	7.7	2.28	8.6	2.60	9.5	3.01	
47	4.7	1.92	5.7	2.35	6.5	2.27	7.0	2.24	7.4	2.43	8.3	2.80	9.2	3.23	
50	4.3	1.89	5.2	2.31	5.9	2.39	6.3	2.42	6.7	2.59	7.5	2.99	8.3	3.38	
52	3.4	1.59	4.0	1.94	4.6	2.04	4.9	2.20	5.2	2.34	6.1	2.67	6.9	2.96	

Combination	Outdoor air temp (°C DB)	Indoor air temp													
		14.0°C WB		16.0°C WB		18.0°C WB		19.0°C WB		20.0°C WB		22.0°C WB		24.0°C WB	
		20.0°C DB		23.0°C DB		26.0°C DB		27.0°C DB		28.0°C DB		30.0°C DB		32.0°C DB	
		TC	PI	TC	PI	TC	PI	TC	PI	TC	PI	TC	PI	TC	PI
		kW	kW	kW	kW	kW	kW	kW	kW	kW	kW	kW	kW	kW	
50%	-5	4.7	0.47	5.7	0.56	7.2	0.66	7.8	0.72	8.3	0.78	9.2	0.90	10.2	1.03
	0	4.7	0.47	5.7	0.56	7.2	0.67	7.8	0.72	8.3	0.78	9.2	0.90	10.2	1.03
	4	4.7	0.47	5.7	0.56	7.2	0.67	7.8	0.72	8.3	0.78	9.2	0.90	10.2	1.03
	7	4.7	0.48	5.7	0.58	7.2	0.68	7.8	0.74	8.3	0.80	9.2	0.92	10.1	1.05
	10	4.7	0.62	5.5	0.72	6.3	0.82	6.7	0.88	7.0	0.93	7.8	1.05	8.6	1.17
	12	4.7	0.63	5.5	0.73	6.3	0.84	6.7	0.89	7.0	0.95	7.8	1.06	8.6	1.19
	14	4.7	0.64	5.5	0.74	6.3	0.85	6.7	0.91	7.0	0.96	7.8	1.08	8.6	1.21
	16	4.7	0.65	5.5	0.75	6.3	0.86	6.7	0.92	7.0	0.98	7.8	1.10	8.6	1.23
	18	4.7	0.66	5.5	0.76	6.3	0.87	6.7	0.93	7.0	1.00	7.8	1.12	8.6	1.25
	20	4.7	0.66	5.5	0.77	6.3	0.89	6.7	0.95	7.0	1.01	7.8	1.14	8.6	1.27
	21	4.7	0.67	5.5	0.78	6.3	0.90	6.7	0.96	7.0	1.02	7.8	1.15	8.6	1.29
	23	4.7	0.68	5.5	0.79	6.3	0.91	6.7	0.98	7.0	1.04	7.8	1.17	8.6	1.32
	25	4.7	0.69	5.5	0.80	6.3	0.93	6.7	1.00	7.0	1.07	7.8	1.23	8.6	1.40
	27	4.7	0.70	5.5	0.84	6.3	0.98	6.7	1.06	7.0	1.14	7.8	1.31	8.6	1.50
	29	4.7	0.74	5.5	0.88	6.3	1.04	6.7	1.13	7.0	1.21	7.8	1.39	8.6	1.59
	31	4.7	0.78	5.5	0.93	6.3	1.11	6.7	1.19	7.0	1.29	7.8	1.48	8.6	1.70
	33	4.7	0.83	5.5	0.99	6.3	1.17	6.7	1.26	7.0	1.37	7.8	1.58	8.6	1.80
	35	4.7	0.87	5.5	1.05	6.3	1.24	6.7	1.34	7.0	1.45	7.8	1.67	8.6	1.92
	37	4.7	0.92	5.5	1.11	6.3	1.31	6.5	1.42	7.0	1.53	7.8	1.78	8.6	2.04
	39	4.7	0.97	5.5	1.17	6.3	1.39	6.5	1.50	7.0	1.63	7.8	1.88	8.6	2.16
41	4.5	1.10	5.2	1.32	6.0	1.56	6.4	1.55	6.7	1.68	7.5	1.94	8.3	2.22	
44	4.2	1.20	5.0	1.43	5.7	1.73	6.1	1.75	6.5	1.81	7.2	2.04	8.0	2.34	
47	4.0	1.59	4.8	1.91	5.6	1.82	5.9	1.78	6.3	1.92	7.0	2.19	7.8	2.51	
50	3.7	1.56	4.4	1.87	5.0	1.92	5.3	1.93	5.6	2.05	6.3	2.34	7.0	2.62	
52	3.0	1.32	3.4	1.58	3.9	1.63	4.2	1.75	4.5	1.85	5.2	2.09	5.8	2.30	

Dc Inverter Multi VRF System Technical Sales Guide

GMV-141WL/C-T

TC—Total capacity of outdoor unit; PI—Power input of outdoor unit

Combination	Outdoor air temp(°C DB)	Indoor air temp													
		14.0°C WB		16.0°C WB		18.0°C WB		19.0°C WB		20.0°C WB		22.0°C WB		24.0°C WB	
		20.0°C DB		23.0°C DB		26.0°C DB		27.0°C DB		28.0°C DB		30.0°C DB		32.0°C DB	
		TC	PI	TC	PI	TC	PI	TC	PI	TC	PI	TC	PI	TC	PI
		kW	kW	kW	kW	kW	kW	kW	kW	kW	kW	kW	kW	kW	
135%	-5	12.4	1.73	14.8	2.11	17.1	2.14	17.8	2.15	18.1	2.16	18.6	2.18	19.1	2.21
	0	12.4	1.74	14.8	2.11	17.1	2.14	17.8	2.15	18.1	2.16	18.6	2.19	19.1	2.21
	4	12.4	1.74	14.8	2.12	17.1	2.15	17.8	2.16	18.1	2.17	18.6	2.20	19.1	2.22
	7	12.4	1.78	14.8	2.16	17.1	2.19	17.8	2.20	18.1	2.21	18.4	2.24	18.9	2.26
	10	12.4	1.81	14.8	2.21	17.1	2.63	17.8	2.68	18.0	2.63	18.4	2.52	18.9	2.40
	12	12.4	1.84	14.8	2.25	17.1	2.68	17.5	2.67	17.8	2.62	18.2	2.50	18.6	2.46
	14	12.4	1.88	14.8	2.29	17.1	2.71	17.3	2.66	17.5	2.60	18.0	2.58	18.4	2.60
	16	12.4	1.91	14.8	2.34	16.9	2.70	17.1	2.68	17.3	2.69	17.7	2.72	18.2	2.74
	18	12.4	1.94	14.8	2.39	16.6	2.80	16.8	2.82	17.1	2.83	17.5	2.86	18.0	2.88
	20	12.4	1.99	14.8	2.54	16.4	2.94	16.6	2.95	16.8	2.97	17.3	3.00	17.7	3.03
	21	12.4	2.04	14.8	2.63	16.3	3.01	16.5	3.02	16.7	3.04	17.2	3.07	17.6	3.10
	23	12.4	2.19	14.8	2.82	16.1	3.14	16.3	3.16	16.5	3.18	16.9	3.21	17.4	3.24
	25	12.4	2.34	14.8	3.02	15.8	3.28	16.1	3.30	16.3	3.32	16.7	3.35	17.2	3.38
	27	12.4	2.49	14.8	3.23	15.6	2.89	15.8	3.44	16.0	3.46	16.5	3.49	16.9	3.53
	29	12.4	2.66	14.8	3.46	15.4	3.56	15.6	3.58	15.8	3.60	16.3	3.63	16.7	3.67
	31	12.4	2.84	14.7	3.66	15.1	3.70	15.4	3.72	15.6	3.74	16.0	3.78	16.5	3.82
	33	12.4	3.03	14.5	3.79	14.9	3.83	15.1	3.86	15.4	3.88	15.8	3.92	16.2	3.97
	35	12.4	3.23	14.2	3.93	14.7	3.98	14.9	4.00	15.1	4.02	15.6	4.07	16.0	4.11
	37	12.4	3.43	14.0	4.07	14.5	4.12	14.7	4.14	14.9	4.17	15.3	4.22	15.8	4.26
	39	12.4	3.66	13.7	4.21	14.2	4.26	14.5	4.28	14.7	4.31	15.1	4.36	15.6	4.41
41	11.7	4.07	13.5	4.95	13.9	5.01	14.2	4.64	14.4	4.66	14.8	4.72	15.3	4.77	
44	10.9	4.42	12.8	5.38	13.3	5.57	13.6	5.24	13.8	5.03	14.3	4.96	14.7	5.01	
47	10.3	5.88	12.4	7.17	12.8	5.85	13.1	5.32	13.3	5.35	13.8	5.33	14.3	5.38	
50	9.4	5.78	11.1	7.04	11.4	6.17	11.7	5.76	11.9	5.71	12.3	5.70	12.8	5.63	
52	7.1	4.87	8.2	5.94	8.6	5.25	8.8	5.24	9.1	5.15	9.8	5.08	10.4	4.93	

Combination	Outdoor air temp (°C DB)	Indoor air temp													
		14.0°C WB		16.0°C WB		18.0°C WB		19.0°C WB		20.0°C WB		22.0°C WB		24.0°C WB	
		20.0°C DB		23.0°C DB		26.0°C DB		27.0°C DB		28.0°C DB		30.0°C DB		32.0°C DB	
		TC	PI	TC	PI	TC	PI	TC	PI	TC	PI	TC	PI	TC	PI
	kW	kW	kW	kW	kW	kW	kW	kW	kW	kW	kW	kW	kW	kW	
120%	-5	11.4	1.54	14.1	2.00	16.8	2.12	17.4	2.13	17.8	2.14	18.2	2.17	18.7	2.19
	0	11.4	1.55	14.1	2.00	16.8	2.13	17.4	2.14	17.8	2.15	18.2	2.17	18.7	2.19
	4	11.4	1.55	14.1	2.01	16.8	2.13	17.4	2.15	17.8	2.16	18.2	2.18	18.7	2.20
	7	11.4	1.58	14.1	2.05	16.8	2.17	17.4	2.19	17.8	2.20	18.1	2.22	18.5	2.24
	10	11.4	1.65	13.6	2.01	15.8	2.39	16.9	2.59	17.7	2.70	18.1	2.59	18.5	2.49
	12	11.4	1.68	13.6	2.05	15.8	2.44	16.9	2.64	17.5	2.68	17.9	2.58	18.3	2.48
	14	11.4	1.71	13.6	2.09	15.8	2.49	16.9	2.69	17.2	2.67	17.7	2.57	18.1	2.58
	16	11.4	1.74	13.6	2.13	15.8	2.54	16.8	2.71	17.0	2.67	17.4	2.70	17.8	2.72
	18	11.4	1.78	13.6	2.18	15.8	2.63	16.6	2.80	16.8	2.81	17.2	2.84	17.6	2.86
	20	11.4	1.81	13.6	2.26	15.8	2.82	16.4	2.94	16.6	2.95	17.0	2.97	17.4	3.00
	21	11.4	1.83	13.6	2.34	15.8	2.92	16.2	3.01	16.4	3.02	16.9	3.04	17.3	3.07
	23	11.4	1.95	13.6	2.51	15.8	3.13	16.0	3.14	16.2	3.15	16.6	3.19	17.0	3.21
	25	11.4	2.09	13.6	2.68	15.6	3.26	15.8	3.28	16.0	3.29	16.4	3.32	16.8	3.35
	27	11.4	2.23	13.6	2.87	15.4	3.40	15.6	3.42	15.8	3.43	16.2	3.47	16.6	3.50
	29	11.4	2.38	13.6	3.06	15.1	3.53	15.3	3.56	15.5	3.57	15.9	3.61	16.4	3.64
	31	11.4	2.54	13.6	3.27	14.9	3.68	15.1	3.69	15.3	3.71	15.7	3.75	16.1	3.79
	33	11.4	2.70	13.6	3.49	14.7	3.81	14.9	3.84	15.1	3.85	15.5	3.89	15.9	3.93
	35	11.4	2.87	13.6	3.72	14.4	3.95	14.6	3.97	14.9	3.99	15.3	4.04	15.7	4.08
	37	11.4	3.06	13.6	3.96	14.2	4.09	14.4	4.12	14.6	4.14	15.0	4.18	15.4	4.23
	39	11.4	3.25	13.5	4.18	13.9	4.23	14.2	4.26	14.4	4.28	14.8	4.33	15.2	4.37
41	10.8	3.62	12.9	4.69	13.7	4.98	13.9	4.61	14.1	4.63	14.5	4.68	14.9	4.73	
44	10.1	3.94	12.2	5.10	13.0	5.53	13.3	5.20	13.6	4.99	14.0	4.92	14.4	4.98	
47	9.5	5.24	11.8	6.78	12.6	5.81	12.8	5.28	13.1	5.31	13.5	5.29	13.9	5.34	
50	8.7	5.14	10.6	6.66	11.2	6.13	11.4	5.72	11.7	5.67	12.1	5.65	12.5	5.59	
52	6.6	4.34	7.9	5.62	8.4	5.22	8.6	5.20	8.9	5.11	9.6	5.05	10.2	4.89	

Dc Inverter Multi VRF System Technical Sales Guide

Combination	Outdoor air temp (°C DB)	Indoor air temp													
		14.0°C WB		16.0°C WB		18.0°C WB		19.0°C WB		20.0°C WB		22.0°C WB		24.0°C WB	
		20.0°C DB		23.0°C DB		26.0°C DB		27.0°C DB		28.0°C DB		30.0°C DB		32.0°C DB	
		TC	PI	TC	PI	TC	PI	TC	PI	TC	PI	TC	PI	TC	PI
		kW	kW	kW	kW	kW	kW	kW	kW	kW	kW	kW	kW	kW	
110%	-5	10.5	1.36	13.0	1.76	16.6	2.11	17.1	2.12	17.5	2.13	17.8	2.15	18.3	2.17
	0	10.5	1.37	13.0	1.76	16.6	2.11	17.1	2.12	17.5	2.13	17.8	2.15	18.3	2.17
	4	10.5	1.37	13.0	1.77	16.6	2.12	17.1	2.13	17.5	2.14	17.8	2.16	18.3	2.18
	7	10.5	1.40	13.0	1.80	16.6	2.16	17.1	2.17	17.5	2.18	17.7	2.20	18.1	2.22
	10	10.5	1.50	12.5	1.82	14.5	2.17	15.5	2.34	16.5	2.52	17.8	2.67	18.2	2.58
	12	10.5	1.53	12.5	1.86	14.5	2.21	15.5	2.39	16.5	2.57	17.6	2.66	17.9	2.57
	14	10.5	1.55	12.5	1.89	14.5	2.25	15.5	2.43	16.5	2.62	17.3	2.66	17.7	2.56
	16	10.5	1.58	12.5	1.93	14.5	2.29	15.5	2.48	16.5	2.67	17.1	2.68	17.5	2.70
	18	10.5	1.61	12.5	1.97	14.5	2.34	15.5	2.55	16.5	2.79	16.9	2.82	17.3	2.84
	20	10.5	1.64	12.5	2.01	14.5	2.48	15.5	2.74	16.3	2.93	16.7	2.95	17.0	2.98
	21	10.5	1.66	12.5	2.07	14.5	2.57	15.5	2.84	16.2	3.00	16.5	3.02	16.9	3.05
	23	10.5	1.74	12.5	2.21	14.5	2.75	15.5	3.04	15.9	3.13	16.3	3.16	16.7	3.19
	25	10.5	1.85	12.5	2.37	14.5	2.94	15.5	3.26	15.7	3.27	16.1	3.30	16.5	3.33
	27	10.5	1.98	12.5	2.53	14.5	3.15	15.3	3.40	15.5	3.41	15.9	3.44	16.2	3.47
	29	10.5	2.11	12.5	2.70	14.5	3.37	15.1	3.53	15.3	3.55	15.6	3.58	16.0	3.61
	31	10.5	2.25	12.5	2.88	14.5	3.59	14.8	3.67	15.0	3.69	15.4	3.72	15.8	3.76
	33	10.5	2.39	12.5	3.07	14.4	3.79	14.6	3.81	14.8	3.82	15.2	3.86	15.6	3.90
	35	10.5	2.54	12.5	3.27	14.2	3.93	14.4	3.95	14.6	3.97	14.9	4.00	15.3	4.04
	37	10.5	2.70	12.5	3.48	13.9	4.07	14.2	4.08	14.3	4.10	14.7	4.15	15.1	4.18
	39	10.5	2.87	12.5	3.71	13.7	4.21	13.9	4.23	14.1	4.25	14.5	4.29	14.9	4.33
41	9.9	3.20	11.9	4.12	13.5	4.95	13.6	4.58	13.8	4.60	14.2	4.65	14.6	4.69	
44	9.2	3.48	11.2	4.48	12.9	5.50	13.1	5.17	13.3	4.96	13.7	4.89	14.1	4.93	
47	8.7	4.63	10.9	5.96	12.4	5.77	12.6	5.25	12.8	5.28	13.2	5.25	13.6	5.29	
50	8.0	4.55	9.7	5.85	11.1	6.08	11.2	5.68	11.4	5.63	11.8	5.61	12.2	5.54	
52	6.0	3.84	7.2	4.94	8.3	5.18	8.5	5.17	8.7	5.08	9.4	5.01	10.0	4.85	

Combination	Outdoor air temp (°C DB)	Indoor air temp													
		14.0°C WB		16.0°C WB		18.0°C WB		19.0°C WB		20.0°C WB		22.0°C WB		24.0°C WB	
		20.0°C DB		23.0°C DB		26.0°C DB		27.0°C DB		28.0°C DB		30.0°C DB		32.0°C DB	
		TC	PI	TC	PI	TC	PI	TC	PI	TC	PI	TC	PI	TC	PI
	kW	kW	kW	kW	kW	kW	kW	kW	kW	kW	kW	kW	kW	kW	
100%	-5	9.5	1.19	11.8	1.53	15.4	1.91	16.8	2.11	17.1	2.12	17.4	2.13	17.9	2.15
	0	9.5	1.20	11.8	1.53	15.4	1.91	16.8	2.11	17.1	2.12	17.4	2.14	17.9	2.16
	4	9.5	1.20	11.8	1.54	15.4	1.92	16.8	2.12	17.1	2.13	17.4	2.15	17.9	2.17
	7	9.5	1.22	11.8	1.56	15.4	1.95	16.8	2.16	17.1	2.17	17.3	2.19	17.6	2.21
	10	9.5	1.35	11.3	1.64	13.2	1.94	14.1	2.10	15.0	2.27	16.9	2.56	17.8	2.67
	12	9.5	1.37	11.3	1.66	13.2	1.97	14.1	2.13	15.0	2.31	16.9	2.61	17.6	2.64
	14	9.5	1.39	11.3	1.69	13.2	2.00	14.1	2.17	15.0	2.35	16.9	2.65	17.4	2.62
	16	9.5	1.43	11.3	1.73	13.2	2.05	14.1	2.21	15.0	2.41	16.8	2.71	17.1	2.68
	18	9.5	1.46	11.3	1.77	13.2	2.09	14.1	2.26	15.0	2.45	16.6	2.77	16.9	2.81
	20	9.5	1.48	11.3	1.80	13.2	2.16	14.1	2.38	15.0	2.61	16.3	2.91	16.7	2.96
	21	9.5	1.49	11.3	1.82	13.2	2.23	14.1	2.46	15.0	2.70	16.2	3.01	16.6	3.04
	23	9.5	1.53	11.3	1.94	13.2	2.40	14.1	2.64	15.0	2.90	16.0	3.19	16.3	3.22
	25	9.5	1.63	11.3	2.06	13.2	2.55	14.1	2.81	15.0	3.10	15.8	3.30	16.1	3.33
	27	9.5	1.74	11.3	2.20	13.2	2.74	14.1	3.01	15.0	3.33	15.5	3.42	15.9	3.45
	29	9.5	1.85	11.3	2.36	13.2	2.93	14.1	3.22	15.0	3.53	15.3	3.58	15.7	3.62
	31	9.5	1.96	11.3	2.51	13.2	3.12	14.1	3.47	14.8	3.67	14.9	3.73	15.4	3.76
	33	9.5	2.09	11.3	2.67	13.2	3.33	14.1	3.68	14.5	3.80	14.9	3.84	15.2	3.87
	35	9.5	2.22	11.3	2.85	13.2	3.55	14.1	3.9	14.3	3.94	14.6	3.98	14.9	4.01
	37	9.5	2.37	11.3	3.03	13.2	3.78	13.8	4.1	14.1	4.08	14.4	4.11	14.7	4.15
	39	9.5	2.52	11.3	3.23	13.2	4.02	13.7	4.20	13.7	4.22	14.2	4.25	14.4	4.28
41	9.0	2.80	10.8	3.58	12.5	4.47	13.4	4.55	13.6	4.57	13.9	4.61	14.2	4.65	
44	8.4	3.04	10.2	3.90	11.9	4.97	12.8	5.14	13.0	4.92	13.4	4.85	13.8	4.89	
47	7.9	4.05	9.9	5.19	11.5	5.21	12.4	5.21	12.5	5.24	12.9	5.21	13.3	5.25	
50	7.2	3.98	8.8	5.09	10.3	5.50	11.0	5.64	11.2	5.59	11.5	5.57	12.0	5.49	
52	5.5	3.36	6.6	4.30	7.7	4.68	8.3	5.14	8.6	5.04	9.2	4.97	9.7	4.81	

Dc Inverter Multi VRF System Technical Sales Guide

Combination	Outdoor air temp (°C DB)	Indoor air temp													
		14.0°C WB		16.0°C WB		18.0°C WB		19.0°C WB		20.0°C WB		22.0°C WB		24.0°C WB	
		20.0°C DB		23.0°C DB		26.0°C DB		27.0°C DB		28.0°C DB		30.0°C DB		32.0°C DB	
		TC	PI	TC	PI	TC	PI	TC	PI	TC	PI	TC	PI	TC	PI
		kW	kW	kW	kW	kW	kW	kW	kW	kW	kW	kW	kW	kW	
90%	-5	9.3	1.04	11.3	1.32	14.6	1.63	15.8	1.80	16.9	1.98	17.8	2.12	18.2	2.13
	0	9.3	1.04	11.3	1.32	14.6	1.63	15.8	1.80	16.9	1.98	17.8	2.12	18.2	2.14
	4	9.3	1.05	11.3	1.33	14.6	1.64	15.8	1.81	16.9	1.99	17.8	2.13	18.2	2.15
	7	9.3	1.07	11.3	1.35	14.6	1.67	15.8	1.84	16.9	2.03	17.6	2.17	17.9	2.19
	10	9.3	1.18	10.9	1.42	12.6	1.66	13.4	1.87	14.2	1.99	15.9	2.28	17.5	2.58
	12	9.3	1.20	10.9	1.44	12.6	1.68	13.4	1.89	14.2	2.03	15.9	2.32	17.5	2.62
	14	9.3	1.22	10.9	1.46	12.6	1.71	13.4	1.92	14.2	2.06	15.9	2.36	17.5	2.66
	16	9.3	1.24	10.9	1.49	12.6	1.75	13.4	1.97	14.2	2.11	15.9	2.41	17.5	2.71
	18	9.3	1.27	10.9	1.53	12.6	1.78	13.4	2.00	14.2	2.15	15.9	2.47	17.3	2.81
	20	9.3	1.29	10.9	1.55	12.6	1.84	13.4	2.05	14.2	2.24	15.9	2.65	17.0	2.93
	21	9.3	1.30	10.9	1.57	12.6	1.90	13.4	2.11	14.2	2.32	15.9	2.74	16.9	2.99
	23	9.3	1.34	10.9	1.67	12.6	2.05	13.4	2.27	14.2	2.48	15.9	2.95	16.7	3.15
	25	9.3	1.42	10.9	1.78	12.6	2.18	13.4	2.43	14.2	2.65	15.9	3.15	16.5	3.28
	27	9.3	1.52	10.9	1.90	12.6	2.34	13.4	2.59	14.2	2.84	15.9	3.36	16.2	3.42
	29	9.3	1.61	10.9	2.03	12.6	2.50	13.4	2.77	14.2	3.03	15.7	3.53	16.0	3.56
	31	9.3	1.71	10.9	2.16	12.6	2.67	13.4	2.95	14.2	3.24	15.5	3.65	15.8	3.70
	33	9.3	1.82	10.9	2.30	12.6	2.84	13.4	3.14	14.2	3.44	15.3	3.80	15.6	3.84
	35	9.3	1.94	10.9	2.45	12.6	3.03	13.4	3.35	14.2	3.68	15.0	3.94	15.3	3.98
	37	9.3	2.06	10.9	2.61	12.6	3.23	13.2	3.47	14.2	3.94	14.8	4.08	15.1	4.07
	39	9.3	2.20	10.9	2.78	12.6	3.44	13.0	3.58	14.2	4.18	14.6	4.23	14.9	4.22
41	8.8	2.44	10.4	3.09	12.0	3.82	12.8	3.88	13.5	4.27	14.3	4.57	14.6	4.61	
44	8.2	2.66	9.9	3.36	11.5	4.24	12.3	4.39	13.0	4.60	13.8	4.81	14.1	4.85	
47	7.8	3.53	9.6	4.47	11.1	4.45	11.8	4.45	12.6	4.90	13.4	5.16	13.7	5.21	
50	7.2	3.47	8.7	4.39	10.0	4.70	10.6	4.82	11.3	5.23	12.0	5.52	12.4	5.45	
52	5.6	2.93	6.6	3.71	7.7	4.00	8.2	4.39	8.8	4.71	9.7	4.93	10.2	4.77	

Combination	Outdoor air temp (°C DB)	Indoor air temp													
		14.0°C WB		16.0°C WB		18.0°C WB		19.0°C WB		20.0°C WB		22.0°C WB		24.0°C WB	
		20.0°C DB		23.0°C DB		26.0°C DB		27.0°C DB		28.0°C DB		30.0°C DB		32.0°C DB	
		TC	PI	TC	PI	TC	PI	TC	PI	TC	PI	TC	PI	TC	PI
		kW	kW	kW	kW	kW	kW	kW	kW	kW	kW	kW	kW	kW	
80%	-5	8.3	0.90	10.1	1.11	13.0	1.38	14.2	1.52	15.1	1.66	16.8	1.97	17.7	2.11
	0	8.3	0.90	10.1	1.11	13.0	1.38	14.2	1.52	15.1	1.66	16.8	1.97	17.7	2.11
	4	8.3	0.90	10.1	1.12	13.0	1.39	14.2	1.53	15.1	1.67	16.8	1.98	17.7	2.12
	7	8.3	0.92	10.1	1.14	13.0	1.41	14.2	1.55	15.1	1.70	16.7	2.02	17.5	2.16
	10	8.3	1.07	9.8	1.28	11.3	1.51	12.0	1.63	12.7	1.74	14.2	1.99	15.7	2.31
	12	8.3	1.09	9.8	1.30	11.3	1.54	12.0	1.66	12.7	1.78	14.2	2.03	15.7	2.29
	14	8.3	1.11	9.8	1.33	11.3	1.56	12.0	1.69	12.7	1.81	14.2	2.06	15.7	2.34
	16	8.3	1.13	9.8	1.35	11.3	1.60	12.0	1.72	12.7	1.84	14.2	2.11	15.7	2.43
	18	8.3	1.15	9.8	1.38	11.3	1.63	12.0	1.75	12.7	1.87	14.2	2.15	15.7	2.60
	20	8.3	1.17	9.8	1.41	11.3	1.66	12.0	1.79	12.7	1.91	14.2	2.23	15.7	2.69
	21	8.3	1.18	9.8	1.42	11.3	1.67	12.0	1.81	12.7	1.96	14.2	2.31	15.7	2.88
	23	8.3	1.20	9.8	1.45	11.3	1.75	12.0	1.92	12.7	2.09	14.2	2.47	15.7	3.08
	25	8.3	1.24	9.8	1.54	11.3	1.88	12.0	2.06	12.7	2.23	14.2	2.65	15.7	3.29
	27	8.3	1.32	9.8	1.64	11.3	2.00	12.0	2.19	12.7	2.40	14.2	2.83	15.7	3.41
	29	8.3	1.40	9.8	1.74	11.3	2.13	12.0	2.34	12.7	2.55	14.2	3.02	15.7	3.53
	31	8.3	1.48	9.8	1.85	11.3	2.27	12.0	2.49	12.7	2.72	14.2	3.22	15.4	3.66
	33	8.3	1.58	9.8	2.07	11.3	2.41	12.0	2.65	12.7	2.90	14.2	3.44	15.2	3.79
	35	8.3	1.67	9.8	2.07	11.3	2.57	12.0	2.83	12.7	3.09	14.2	3.67	15.0	3.93
	37	8.3	1.78	9.8	2.22	11.3	2.73	11.8	3.01	12.7	3.29	14.2	3.91	14.8	4.07
	39	8.3	1.88	9.8	2.36	11.3	2.91	11.6	3.21	12.7	3.50	14.2	4.16	14.5	4.22
41	7.9	2.11	9.3	2.60	10.7	3.24	11.4	3.28	12.1	3.58	13.5	4.25	14.3	4.56	
44	7.4	2.29	8.9	2.83	10.3	3.59	11.0	3.70	11.6	3.86	13.1	4.47	13.8	4.79	
47	7.0	3.05	8.6	3.77	9.9	3.77	10.6	3.76	11.2	4.11	12.6	4.80	13.4	5.15	
50	6.5	3.00	7.8	3.70	8.9	3.98	9.5	4.07	10.1	4.39	11.4	5.13	12.1	5.38	
52	5.1	2.53	6.0	3.12	6.9	3.39	7.4	3.70	7.9	3.95	9.2	4.58	10.0	4.71	

Dc Inverter Multi VRF System Technical Sales Guide

Combination	Outdoor air temp (°C DB)	Indoor air temp													
		14.0°C WB		16.0°C WB		18.0°C WB		19.0°C WB		20.0°C WB		22.0°C WB		24.0°C WB	
		20.0°C DB		23.0°C DB		26.0°C DB		27.0°C DB		28.0°C DB		30.0°C DB		32.0°C DB	
		TC	PI	TC	PI	TC	PI	TC	PI	TC	PI	TC	PI	TC	PI
		kW	kW	kW	kW	kW	kW	kW	kW	kW	kW	kW	kW	kW	
70%	-5	7.4	0.77	8.9	0.95	11.5	1.15	12.5	1.26	13.3	1.37	14.8	1.62	16.4	1.88
	0	7.4	0.77	8.9	0.95	11.5	1.15	12.5	1.26	13.3	1.38	14.8	1.62	16.4	1.88
	4	7.4	0.77	8.9	0.95	11.5	1.16	12.5	1.27	13.3	1.38	14.8	1.63	16.4	1.89
	7	7.4	0.78	8.9	0.97	11.5	1.18	12.5	1.29	13.3	1.41	14.7	1.66	16.1	1.93
	10	7.4	0.95	8.6	1.12	9.9	1.30	10.6	1.41	11.2	1.51	12.5	1.71	13.8	1.92
	12	7.4	0.96	8.6	1.14	9.9	1.33	10.6	1.43	11.2	1.53	12.5	1.74	13.8	1.96
	14	7.4	0.97	8.6	1.16	9.9	1.35	10.6	1.45	11.2	1.56	12.5	1.78	13.8	2.00
	16	7.4	0.99	8.6	1.18	9.9	1.38	10.6	1.48	11.2	1.59	12.5	1.81	13.8	2.03
	18	7.4	1.00	8.6	1.20	9.9	1.41	10.6	1.51	11.2	1.62	12.5	1.84	13.8	2.08
	20	7.4	1.02	8.6	1.22	9.9	1.43	10.6	1.54	11.2	1.65	12.5	1.88	13.8	2.13
	21	7.4	1.03	8.6	1.23	9.9	1.44	10.6	1.55	11.2	1.66	12.5	1.90	13.8	2.21
	23	7.4	1.05	8.6	1.25	9.9	1.47	10.6	1.61	11.2	1.75	12.5	2.04	13.8	2.37
	25	7.4	1.07	8.6	1.30	9.9	1.57	10.6	1.72	11.2	1.86	12.5	2.19	13.8	2.53
	27	7.4	1.13	8.6	1.39	9.9	1.67	10.6	1.83	11.2	1.99	12.5	2.34	13.8	2.70
	29	7.4	1.20	8.6	1.47	9.9	1.78	10.6	1.95	11.2	2.12	12.5	2.49	13.8	2.89
	31	7.4	1.27	8.6	1.56	9.9	1.90	10.6	2.07	11.2	2.26	12.5	2.65	13.8	3.08
	33	7.4	1.35	8.6	1.66	9.9	2.02	10.6	2.20	11.2	2.40	12.5	2.83	13.8	3.29
	35	7.4	1.43	8.6	1.76	9.9	2.14	10.6	2.35	11.2	2.56	12.5	3.01	13.8	3.50
	37	7.4	1.51	8.6	1.87	9.9	2.28	10.4	2.49	11.2	2.72	12.5	3.21	13.8	3.73
	39	7.4	1.60	8.6	1.98	9.9	2.41	10.3	2.65	11.2	2.89	12.5	3.41	13.8	3.97
41	7.0	1.80	8.2	2.22	9.5	2.70	10.1	2.72	10.7	2.97	11.9	3.49	13.2	4.06	
44	6.6	1.95	7.8	2.42	9.1	3.00	9.7	3.07	10.3	3.20	11.5	3.67	12.8	4.27	
47	6.2	2.60	7.6	3.22	8.8	3.15	9.4	3.12	9.9	3.40	11.2	3.94	12.4	4.59	
50	5.8	2.55	6.9	3.16	7.9	3.32	8.4	3.38	9.0	3.63	10.0	4.22	11.2	4.80	
52	4.5	2.15	5.3	2.66	6.1	2.82	6.5	3.07	7.0	3.27	8.1	3.76	9.2	4.20	

Combination	Outdoor air temp (°C DB)	Indoor air temp													
		14.0°C WB		16.0°C WB		18.0°C WB		19.0°C WB		20.0°C WB		22.0°C WB		24.0°C WB	
		20.0°C DB		23.0°C DB		26.0°C DB		27.0°C DB		28.0°C DB		30.0°C DB		32.0°C DB	
		TC	PI	TC	PI	TC	PI	TC	PI	TC	PI	TC	PI	TC	PI
	kW	kW	kW	kW	kW	kW	kW	kW	kW	kW	kW	kW	kW	kW	
60%	-5	6.4	0.64	7.8	0.79	10.0	0.94	10.8	1.03	11.5	1.11	12.8	1.30	14.1	1.50
	0	6.4	0.65	7.8	0.79	10.0	0.94	10.8	1.03	11.5	1.12	12.8	1.30	14.1	1.51
	4	6.4	0.65	7.8	0.79	10.0	0.95	10.8	1.03	11.5	1.12	12.8	1.31	14.1	1.51
	7	6.4	0.66	7.8	0.80	10.0	0.96	10.8	1.05	11.5	1.14	12.7	1.33	13.9	1.54
	10	6.4	0.82	7.5	0.96	8.6	1.11	9.2	1.19	9.7	1.27	10.8	1.44	11.9	1.62
	12	6.4	0.83	7.5	0.98	8.6	1.14	9.2	1.22	9.7	1.29	10.8	1.47	11.9	1.64
	14	6.4	0.85	7.5	0.99	8.6	1.15	9.2	1.24	9.7	1.32	10.8	1.50	11.9	1.67
	16	6.4	0.86	7.5	1.01	8.6	1.17	9.2	1.26	9.7	1.34	10.8	1.52	11.9	1.71
	18	6.4	0.87	7.5	1.02	8.6	1.19	9.2	1.28	9.7	1.37	10.8	1.55	11.9	1.74
	20	6.4	0.88	7.5	1.05	8.6	1.22	9.2	1.30	9.7	1.39	10.8	1.58	11.9	1.78
	21	6.4	0.89	7.5	1.05	8.6	1.23	9.2	1.32	9.7	1.41	10.8	1.60	11.9	1.79
	23	6.4	0.90	7.5	1.07	8.6	1.25	9.2	1.34	9.7	1.43	10.8	1.66	11.9	1.91
	25	6.4	0.92	7.5	1.09	8.6	1.29	9.2	1.41	9.7	1.52	10.8	1.77	11.9	2.03
	27	6.4	0.96	7.5	1.16	8.6	1.38	9.2	1.50	9.7	1.62	10.8	1.89	11.9	2.17
	29	6.4	1.01	7.5	1.23	8.6	1.47	9.2	1.60	9.7	1.73	10.8	2.01	11.9	2.32
	31	6.4	1.07	7.5	1.30	8.6	1.56	9.2	1.70	9.7	1.84	10.8	2.14	11.9	2.47
	33	6.4	1.13	7.5	1.38	8.6	1.65	9.2	1.80	9.7	1.95	10.8	2.28	11.9	2.63
	35	6.4	1.20	7.5	1.46	8.6	1.75	9.2	1.91	9.7	2.08	10.8	2.42	11.9	2.80
	37	6.4	1.27	7.5	1.55	8.6	1.86	9.0	2.03	9.7	2.20	10.8	2.58	11.9	2.98
	39	6.4	1.34	7.5	1.64	8.6	1.97	8.9	2.15	9.7	2.34	10.8	2.74	11.9	3.17
41	6.1	1.51	7.2	1.84	8.2	2.21	8.7	2.22	9.3	2.41	10.3	2.81	11.4	3.25	
44	5.7	1.64	6.8	2.00	7.9	2.46	8.4	2.51	8.9	2.60	10.0	2.96	11.0	3.42	
47	5.4	2.19	6.6	2.67	7.6	2.58	8.1	2.54	8.6	2.76	9.7	3.18	10.7	3.67	
50	5.0	2.15	6.0	2.62	6.9	2.72	7.3	2.75	7.8	2.95	8.7	3.39	9.7	3.84	
52	4.0	1.81	4.6	2.21	5.3	2.32	5.7	2.51	6.1	2.66	7.1	3.03	8.0	3.36	

Dc Inverter Multi VRF System Technical Sales Guide

Combination	Outdoor air temp (°C DB)	Indoor air temp													
		14.0°C WB		16.0°C WB		18.0°C WB		19.0°C WB		20.0°C WB		22.0°C WB		24.0°C WB	
		20.0°C DB		23.0°C DB		26.0°C DB		27.0°C DB		28.0°C DB		30.0°C DB		32.0°C DB	
		TC	PI	TC	PI	TC	PI	TC	PI	TC	PI	TC	PI	TC	PI
	kW	kW	kW	kW	kW	kW	kW	kW	kW	kW	kW	kW	kW	kW	
50%	-5	5.5	0.53	6.6	0.64	8.4	0.75	9.1	0.82	9.7	0.88	10.8	1.02	11.9	1.17
	0	5.5	0.53	6.6	0.64	8.4	0.76	9.1	0.82	9.7	0.88	10.8	1.02	11.9	1.17
	4	5.5	0.54	6.6	0.64	8.4	0.76	9.1	0.82	9.7	0.89	10.8	1.03	11.9	1.18
	7	5.5	0.55	6.6	0.65	8.4	0.77	9.1	0.84	9.7	0.90	10.7	1.05	11.8	1.20
	10	5.5	0.71	6.4	0.82	7.3	0.94	7.8	1.00	8.2	1.06	9.1	1.19	10.1	1.33
	12	5.5	0.71	6.4	0.83	7.3	0.95	7.8	1.01	8.2	1.08	9.1	1.21	10.1	1.35
	14	5.5	0.72	6.4	0.84	7.3	0.96	7.8	1.03	8.2	1.09	9.1	1.23	10.1	1.37
	16	5.5	0.73	6.4	0.85	7.3	0.98	7.8	1.05	8.2	1.11	9.1	1.25	10.1	1.39
	18	5.5	0.74	6.4	0.87	7.3	0.99	7.8	1.06	8.2	1.13	9.1	1.27	10.1	1.42
	20	5.5	0.76	6.4	0.88	7.3	1.01	7.8	1.08	8.2	1.15	9.1	1.30	10.1	1.45
	21	5.5	0.76	6.4	0.89	7.3	1.02	7.8	1.09	8.2	1.16	9.1	1.31	10.1	1.46
	23	5.5	0.77	6.4	0.90	7.3	1.04	7.8	1.11	8.2	1.18	9.1	1.33	10.1	1.50
	25	5.5	0.78	6.4	0.91	7.3	1.06	7.8	1.13	8.2	1.22	9.1	1.40	10.1	1.60
	27	5.5	0.80	6.4	0.95	7.3	1.11	7.8	1.20	8.2	1.29	9.1	1.49	10.1	1.70
	29	5.5	0.84	6.4	1.00	7.3	1.18	7.8	1.28	8.2	1.38	9.1	1.58	10.1	1.81
	31	5.5	0.89	6.4	1.06	7.3	1.26	7.8	1.36	8.2	1.46	9.1	1.69	10.1	1.93
	33	5.5	0.94	6.4	1.13	7.3	1.33	7.8	1.44	8.2	1.55	9.1	1.79	10.1	2.05
	35	5.5	0.99	6.4	1.19	7.3	1.41	7.8	1.52	8.2	1.64	9.1	1.90	10.1	2.18
	37	5.5	1.05	6.4	1.26	7.3	1.49	7.6	1.61	8.2	1.74	9.1	2.02	10.1	2.31
39	5.5	1.10	6.4	1.33	7.3	1.57	7.5	1.71	8.2	1.85	9.1	2.14	10.1	2.46	
41	5.2	1.25	6.1	1.50	7.0	1.77	7.4	1.76	7.8	1.91	8.7	2.21	9.6	2.52	
44	4.9	1.36	5.8	1.63	6.7	1.97	7.1	1.99	7.5	2.05	8.4	2.32	9.3	2.66	
47	4.7	1.81	5.6	2.17	6.5	2.07	6.9	2.02	7.3	2.19	8.2	2.49	9.0	2.85	
50	4.3	1.78	5.1	2.13	5.9	2.18	6.2	2.19	6.6	2.33	7.4	2.66	8.2	2.98	
52	3.4	1.50	4.0	1.79	4.6	1.85	4.9	1.99	5.2	2.10	6.0	2.38	6.8	2.61	

GMV-120WL/C-T, GMV-120WL/C-X

TC—Total capacity of outdoor unit; PI—Power input of outdoor unit

Combination	Outdoor air temp(°C DB)	Indoor air temp													
		14.0°C WB		16.0°C WB		18.0°C WB		19.0°C WB		20.0°C WB		22.0°C WB		24.0°C WB	
		20.0°C DB		23.0°C DB		26.0°C DB		27.0°C DB		28.0°C DB		30.0°C DB		32.0°C DB	
		TC	PI	TC	PI	TC	PI	TC	PI	TC	PI	TC	PI	TC	PI
		kW	kW	kW	kW	kW	kW	kW	kW	kW	kW	kW	kW	kW	
135%	-5	10.6	1.34	12.7	1.63	14.7	1.65	15.3	1.66	15.6	1.67	15.9	1.69	16.4	1.71
	0	10.6	1.34	12.7	1.63	14.7	1.65	15.3	1.66	15.6	1.67	15.9	1.69	16.4	1.71
	4	10.6	1.35	12.7	1.64	14.7	1.66	15.3	1.67	15.6	1.68	15.9	1.7	16.4	1.72
	7	10.6	1.37	12.7	1.67	14.7	1.69	15.3	1.7	15.6	1.71	15.8	1.73	16.2	1.75
	10	10.6	1.4	12.7	1.71	14.7	2.03	15.3	2.07	15.4	2.03	15.8	1.95	16.2	1.86
	12	10.6	1.42	12.7	1.74	14.7	2.07	15	2.06	15.3	2.02	15.6	1.93	16	1.9
	14	10.6	1.45	12.7	1.77	14.6	2.09	14.9	2.05	15	2.01	15.4	1.99	15.8	2.01
	16	10.6	1.47	12.7	1.81	14.5	2.09	14.6	2.07	14.8	2.08	15.2	2.1	15.6	2.12
	18	10.6	1.5	12.7	1.85	14.3	2.16	14.4	2.18	14.6	2.19	15	2.21	15.4	2.23
	20	10.6	1.54	12.7	1.96	14	2.27	14.3	2.28	14.4	2.29	14.8	2.32	15.2	2.34
	21	10.6	1.58	12.7	2.03	14	2.32	14.2	2.34	14.3	2.35	14.7	2.37	15.1	2.39
	23	10.6	1.69	12.7	2.18	13.8	2.43	14	2.44	14.1	2.45	14.5	2.48	14.9	2.5
	25	10.6	1.8	12.7	2.34	13.6	2.54	13.8	2.55	14	2.56	14.3	2.59	14.7	2.61
	27	10.6	1.93	12.7	2.5	13.4	2.23	13.6	2.66	13.7	2.67	14.1	2.7	14.5	2.73
	29	10.6	2.06	12.7	2.67	13.2	2.75	13.4	2.76	13.6	2.78	14	2.81	14.3	2.84
	31	10.6	2.2	12.6	2.83	13	2.86	13.2	2.87	13.4	2.89	13.7	2.92	14.1	2.95
	33	10.6	2.34	12.4	2.93	12.8	2.96	13	2.98	13.2	3	13.6	3.03	13.9	3.07
	35	10.6	2.5	12.2	3.04	12.6	3.07	12.8	3.09	13	3.11	13.4	3.14	13.7	3.18
	37	10.6	2.65	12	3.15	12.4	3.19	12.6	3.2	12.8	3.22	13.1	3.26	13.5	3.3
	39	10.6	2.83	11.8	3.25	12.2	3.29	12.4	3.31	12.6	3.33	13	3.37	13.4	3.41
41	10	3.14	11.6	3.83	11.9	3.87	12.2	3.59	12.3	3.6	12.7	3.65	13.1	3.69	
44	9.4	3.42	11	4.16	11.4	4.3	11.6	4.05	11.8	3.88	12.2	3.84	12.6	3.88	
47	8.8	4.55	10.6	5.54	11	4.52	11.2	4.11	11.4	4.13	11.8	4.12	12.2	4.16	
50	8.1	4.47	9.5	5.44	9.8	4.77	10	4.45	10.2	4.41	10.5	4.4	11	4.35	
52	6.1	3.77	7.1	4.59	7.4	4.06	7.5	4.05	7.8	3.98	8.4	3.93	8.9	3.81	

Dc Inverter Multi VRF System Technical Sales Guide

Combination	Outdoor air temp (°C DB)	Indoor air temp													
		14.0°C WB		16.0°C WB		18.0°C WB		19.0°C WB		20.0°C WB		22.0°C WB		24.0°C WB	
		20.0°C DB		23.0°C DB		26.0°C DB		27.0°C DB		28.0°C DB		30.0°C DB		32.0°C DB	
		TC	PI	TC	PI	TC	PI	TC	PI	TC	PI	TC	PI	TC	PI
	kW	kW	kW	kW	kW	kW	kW	kW	kW	kW	kW	kW	kW	kW	
120%	-5	9.8	1.19	12.1	1.54	14.4	1.64	14.9	1.65	15.3	1.66	15.6	1.68	16.1	1.69
	0	9.8	1.2	12.1	1.55	14.4	1.64	14.9	1.65	15.3	1.66	15.6	1.68	16.1	1.7
	4	9.8	1.2	12.1	1.55	14.4	1.65	14.9	1.66	15.3	1.67	15.6	1.68	16.1	1.7
	7	9.8	1.22	12.1	1.58	14.4	1.68	14.9	1.69	15.3	1.7	15.5	1.72	15.8	1.73
	10	9.8	1.27	11.7	1.56	13.6	1.85	14.5	2	15.2	2.09	15.6	2.01	15.9	1.93
	12	9.8	1.3	11.7	1.58	13.6	1.89	14.5	2.04	15	2.07	15.3	2	15.7	1.92
	14	9.8	1.32	11.7	1.62	13.6	1.92	14.5	2.08	14.8	2.06	15.2	1.98	15.5	2
	16	9.8	1.35	11.7	1.65	13.6	1.96	14.4	2.09	14.6	2.07	15	2.09	15.3	2.1
	18	9.8	1.37	11.7	1.68	13.6	2.03	14.2	2.16	14.4	2.17	14.7	2.19	15.1	2.21
	20	9.8	1.4	11.7	1.75	13.6	2.18	14	2.27	14.2	2.28	14.6	2.3	14.9	2.32
	21	9.8	1.41	11.7	1.81	13.6	2.26	13.9	2.32	14.1	2.33	14.5	2.35	14.8	2.38
	23	9.8	1.51	11.7	1.94	13.6	2.42	13.7	2.43	13.9	2.44	14.3	2.46	14.6	2.48
	25	9.8	1.61	11.7	2.07	13.4	2.52	13.5	2.53	13.7	2.54	14.1	2.57	14.4	2.59
	27	9.8	1.72	11.7	2.22	13.2	2.63	13.4	2.64	13.5	2.65	13.9	2.68	14.2	2.7
	29	9.8	1.84	11.7	2.37	13	2.73	13.1	2.75	13.3	2.76	13.7	2.79	14	2.81
	31	9.8	1.96	11.7	2.53	12.8	2.84	13	2.85	13.1	2.87	13.5	2.9	13.8	2.93
	33	9.8	2.09	11.7	2.7	12.6	2.95	12.7	2.96	12.9	2.98	13.3	3.01	13.6	3.04
	35	9.8	2.22	11.7	2.87	12.4	3.05	12.5	3.07	12.7	3.09	13.1	3.12	13.4	3.15
	37	9.8	2.36	11.7	3.06	12.2	3.16	12.4	3.18	12.5	3.2	12.9	3.23	13.2	3.27
	39	9.8	2.52	11.6	3.23	12	3.27	12.1	3.29	12.3	3.31	12.7	3.34	13.1	3.38
41	9.3	2.8	11.1	3.62	11.7	3.85	11.9	3.56	12.1	3.58	12.5	3.62	12.8	3.66	
44	8.6	3.04	10.5	3.94	11.2	4.28	11.4	4.02	11.6	3.86	12	3.81	12.4	3.85	
47	8.1	4.05	10.2	5.24	10.8	4.49	11	4.08	11.2	4.11	11.6	4.09	12	4.13	
50	7.5	3.98	9.1	5.15	9.7	4.73	9.8	4.42	10	4.38	10.3	4.37	10.8	4.32	
52	5.7	3.35	6.8	4.34	7.2	4.03	7.4	4.02	7.6	3.95	8.2	3.9	8.7	3.78	

Combination	Outdoor air temp (°C DB)	Indoor air temp													
		14.0°C WB		16.0°C WB		18.0°C WB		19.0°C WB		20.0°C WB		22.0°C WB		24.0°C WB	
		20.0°C DB		23.0°C DB		26.0°C DB		27.0°C DB		28.0°C DB		30.0°C DB		32.0°C DB	
		TC	PI	TC	PI	TC	PI	TC	PI	TC	PI	TC	PI	TC	PI
		kW	kW	kW	kW	kW	kW	kW	kW	kW	kW	kW	kW	kW	
110%	-5	9	1.05	11.1	1.36	14.2	1.63	14.7	1.64	15	1.65	15.3	1.66	15.7	1.68
	0	9	1.06	11.1	1.36	14.2	1.63	14.7	1.64	15	1.65	15.3	1.67	15.7	1.68
	4	9	1.06	11.1	1.36	14.2	1.64	14.7	1.65	15	1.66	15.3	1.67	15.7	1.69
	7	9	1.08	11.1	1.39	14.2	1.67	14.7	1.68	15	1.69	15.2	1.7	15.5	1.72
	10	9	1.16	10.7	1.41	12.4	1.67	13.3	1.81	14.2	1.95	15.3	2.07	15.6	2
	12	9	1.18	10.7	1.44	12.4	1.71	13.3	1.85	14.2	1.98	15.1	2.06	15.4	1.98
	14	9	1.2	10.7	1.46	12.4	1.74	13.3	1.88	14.2	2.02	14.9	2.06	15.2	1.98
	16	9	1.22	10.7	1.49	12.4	1.77	13.3	1.92	14.2	2.06	14.7	2.07	15	2.09
	18	9	1.25	10.7	1.52	12.4	1.81	13.3	1.97	14.2	2.16	14.5	2.18	14.8	2.2
	20	9	1.27	10.7	1.55	12.4	1.92	13.3	2.12	14	2.27	14.3	2.28	14.6	2.3
	21	9	1.28	10.7	1.6	12.4	1.98	13.3	2.19	13.9	2.32	14.2	2.34	14.5	2.36
	23	9	1.34	10.7	1.71	12.4	2.13	13.3	2.35	13.7	2.42	14	2.45	14.3	2.47
	25	9	1.43	10.7	1.83	12.4	2.27	13.3	2.52	13.5	2.53	13.8	2.55	14.1	2.57
	27	9	1.53	10.7	1.96	12.4	2.43	13.1	2.63	13.3	2.63	13.6	2.66	13.9	2.68
	29	9	1.63	10.7	2.09	12.4	2.6	12.9	2.73	13.1	2.74	13.4	2.77	13.7	2.79
	31	9	1.74	10.7	2.23	12.4	2.78	12.7	2.84	12.9	2.85	13.2	2.87	13.5	2.9
	33	9	1.85	10.7	2.37	12.4	2.93	12.5	2.94	12.7	2.96	13	2.99	13.4	3.01
	35	9	1.96	10.7	2.53	12.2	3.03	12.3	3.05	12.5	3.07	12.8	3.1	13.1	3.12
	37	9	2.09	10.7	2.69	12	3.14	12.1	3.16	12.3	3.17	12.6	3.21	12.9	3.23
	39	9	2.22	10.7	2.87	11.8	3.25	11.9	3.27	12.1	3.28	12.4	3.32	12.7	3.35
41	8.5	2.47	10.2	3.18	11.6	3.82	11.7	3.54	11.9	3.56	12.2	3.59	12.5	3.62	
44	7.9	2.69	9.6	3.46	11	4.25	11.2	4	11.4	3.83	11.7	3.78	12.1	3.81	
47	7.5	3.58	9.3	4.61	10.7	4.46	10.8	4.06	11	4.08	11.3	4.05	11.7	4.09	
50	6.8	3.52	8.4	4.52	9.5	4.7	9.6	4.39	9.8	4.35	10.1	4.33	10.5	4.28	
52	5.2	2.97	6.2	3.82	7.1	4	7.3	4	7.5	3.93	8.1	3.87	8.5	3.75	

Dc Inverter Multi VRF System Technical Sales Guide

Combination	Outdoor air temp (°C DB)	Indoor air temp													
		14.0°C WB		16.0°C WB		18.0°C WB		19.0°C WB		20.0°C WB		22.0°C WB		24.0°C WB	
		20.0°C DB		23.0°C DB		26.0°C DB		27.0°C DB		28.0°C DB		30.0°C DB		32.0°C DB	
		TC	PI	TC	PI	TC	PI	TC	PI	TC	PI	TC	PI	TC	PI
	kW	kW	kW	kW	kW	kW	kW	kW	kW	kW	kW	kW	kW	kW	
100%	-5	8.2	0.92	10.1	1.18	13.2	1.47	14.4	1.63	14.7	1.64	15	1.65	15.3	1.66
	0	8.2	0.92	10.1	1.18	13.2	1.48	14.4	1.63	14.7	1.64	15	1.65	15.3	1.67
	4	8.2	0.93	10.1	1.19	13.2	1.48	14.4	1.64	14.7	1.64	15	1.66	15.3	1.67
	7	8.2	0.94	10.1	1.21	13.2	1.51	14.4	1.67	14.7	1.67	14.8	1.69	15.1	1.71
	10	8.2	1.05	9.7	1.27	11.3	1.5	12.1	1.62	12.9	1.75	14.5	1.98	15.3	2.06
	12	8.2	1.06	9.7	1.29	11.3	1.52	12.1	1.64	12.9	1.79	14.5	2.02	15.1	2.04
	14	8.2	1.08	9.7	1.31	11.3	1.55	12.1	1.67	12.9	1.82	14.5	2.05	14.9	2.03
	16	8.2	1.1	9.7	1.34	11.3	1.58	12.1	1.71	12.9	1.86	14.4	2.1	14.7	2.07
	18	8.2	1.13	9.7	1.37	11.3	1.61	12.1	1.74	12.9	1.9	14.2	2.14	14.5	2.17
	20	8.2	1.14	9.7	1.39	11.3	1.67	12.1	1.84	12.9	2.02	14	2.25	14.3	2.29
	21	8.2	1.16	9.7	1.4	11.3	1.72	12.1	1.9	12.9	2.08	13.9	2.33	14.2	2.35
	23	8.2	1.18	9.7	1.5	11.3	1.85	12.1	2.04	12.9	2.24	13.7	2.46	14	2.49
	25	8.2	1.26	9.7	1.6	11.3	1.97	12.1	2.17	12.9	2.4	13.5	2.55	13.8	2.58
	27	8.2	1.35	9.7	1.7	11.3	2.12	12.1	2.33	12.9	2.57	13.3	2.64	13.6	2.67
	29	8.2	1.43	9.7	1.82	11.3	2.26	12.1	2.49	12.8	2.73	13.1	2.77	13.4	2.79
	31	8.2	1.52	9.7	1.94	11.3	2.41	12.1	2.69	12.7	2.84	12.8	2.88	13.2	2.91
	33	8.2	1.61	9.7	2.07	11.3	2.57	12.1	2.84	12.4	2.94	12.8	2.97	13	2.99
	35	8.2	1.72	9.7	2.2	11.3	2.74	12.1	3.03	12.2	3.05	12.5	3.07	12.8	3.1
	37	8.2	1.83	9.7	2.34	11.3	2.92	11.9	3.14	12.1	3.15	12.3	3.18	12.6	3.21
	39	8.2	1.95	9.7	2.49	11.3	3.11	11.7	3.24	11.8	3.26	12.2	3.28	12.3	3.31
41	7.7	2.16	9.2	2.77	10.8	3.46	11.5	3.51	11.6	3.53	11.9	3.56	12.2	3.6	
44	7.2	2.35	8.8	3.01	10.2	3.84	11	3.97	11.2	3.81	11.5	3.75	11.8	3.78	
47	6.8	3.13	8.5	4.01	9.9	4.03	10.6	4.03	10.8	4.05	11.1	4.03	11.4	4.06	
50	6.2	3.07	7.6	3.94	8.8	4.25	9.5	4.36	9.6	4.32	9.9	4.3	10.3	4.25	
52	4.7	2.59	5.6	3.32	6.6	3.62	7.1	3.97	7.3	3.9	7.9	3.84	8.3	3.72	

Combination	Outdoor air temp (°C DB)	Indoor air temp													
		14.0°C WB		16.0°C WB		18.0°C WB		19.0°C WB		20.0°C WB		22.0°C WB		24.0°C WB	
		20.0°C DB		23.0°C DB		26.0°C DB		27.0°C DB		28.0°C DB		30.0°C DB		32.0°C DB	
		TC	PI	TC	PI	TC	PI	TC	PI	TC	PI	TC	PI	TC	PI
		kW	kW	kW	kW	kW	kW	kW	kW	kW	kW	kW	kW	kW	
90%	-5	8	0.8	9.7	1.02	12.5	1.26	13.6	1.39	14.5	1.53	15.3	1.64	15.6	1.65
	0	8	0.81	9.7	1.02	12.5	1.26	13.6	1.39	14.5	1.53	15.3	1.64	15.6	1.65
	4	8	0.81	9.7	1.02	12.5	1.26	13.6	1.4	14.5	1.54	15.3	1.64	15.6	1.66
	7	8	0.82	9.7	1.04	12.5	1.29	13.6	1.42	14.5	1.57	15.1	1.68	15.4	1.69
	10	8	0.91	9.4	1.1	10.8	1.28	11.5	1.45	12.2	1.54	13.6	1.76	15	2
	12	8	0.92	9.4	1.11	10.8	1.3	11.5	1.46	12.2	1.57	13.6	1.79	15	2.02
	14	8	0.94	9.4	1.13	10.8	1.32	11.5	1.49	12.2	1.6	13.6	1.82	15	2.06
	16	8	0.96	9.4	1.15	10.8	1.35	11.5	1.52	12.2	1.63	13.6	1.87	15	2.1
	18	8	0.98	9.4	1.18	10.8	1.38	11.5	1.55	12.2	1.66	13.6	1.91	14.9	2.17
	20	8	1	9.4	1.2	10.8	1.42	11.5	1.58	12.2	1.73	13.6	2.05	14.6	2.26
	21	8	1.01	9.4	1.21	10.8	1.47	11.5	1.63	12.2	1.79	13.6	2.12	14.5	2.31
	23	8	1.03	9.4	1.29	10.8	1.58	11.5	1.76	12.2	1.92	13.6	2.28	14.3	2.43
	25	8	1.1	9.4	1.38	10.8	1.68	11.5	1.87	12.2	2.05	13.6	2.44	14.1	2.53
	27	8	1.17	9.4	1.47	10.8	1.81	11.5	2	12.2	2.2	13.6	2.6	13.9	2.64
	29	8	1.24	9.4	1.57	10.8	1.93	11.5	2.14	12.2	2.34	13.5	2.73	13.7	2.75
	31	8	1.32	9.4	1.67	10.8	2.06	11.5	2.28	12.2	2.5	13.3	2.82	13.5	2.86
	33	8	1.41	9.4	1.78	10.8	2.2	11.5	2.43	12.2	2.66	13.1	2.94	13.4	2.97
	35	8	1.5	9.4	1.9	10.8	2.34	11.5	2.59	12.2	2.85	12.9	3.05	13.1	3.07
	37	8	1.6	9.4	2.02	10.8	2.49	11.3	2.68	12.2	3.05	12.7	3.16	13	3.15
	39	8	1.7	9.4	2.15	10.8	2.66	11.2	2.77	12.2	3.23	12.5	3.27	12.7	3.26
41	7.6	1.89	8.9	2.39	10.3	2.95	11	3	11.6	3.3	12.3	3.53	12.5	3.56	
44	7.1	2.05	8.5	2.6	9.8	3.28	10.5	3.39	11.2	3.56	11.8	3.72	12.1	3.75	
47	6.7	2.73	8.2	3.46	9.5	3.44	10.2	3.44	10.8	3.79	11.5	3.99	11.8	4.03	
50	6.2	2.68	7.4	3.4	8.6	3.63	9.1	3.73	9.7	4.04	10.3	4.26	10.6	4.21	
52	4.8	2.26	5.7	2.86	6.6	3.09	7	3.39	7.6	3.64	8.3	3.81	8.8	3.69	

Dc Inverter Multi VRF System Technical Sales Guide

Combination	Outdoor air temp (°C DB)	Indoor air temp													
		14.0°C WB		16.0°C WB		18.0°C WB		19.0°C WB		20.0°C WB		22.0°C WB		24.0°C WB	
		20.0°C DB		23.0°C DB		26.0°C DB		27.0°C DB		28.0°C DB		30.0°C DB		32.0°C DB	
		TC	PI	TC	PI	TC	PI	TC	PI	TC	PI	TC	PI	TC	PI
		kW	kW	kW	kW	kW	kW	kW	kW	kW	kW	kW	kW	kW	
80%	-5	7.1	0.7	8.7	0.86	11.2	1.07	12.1	1.17	12.9	1.28	14.4	1.52	15.2	1.63
	0	7.1	0.7	8.7	0.86	11.2	1.07	12.1	1.18	12.9	1.28	14.4	1.52	15.2	1.63
	4	7.1	0.7	8.7	0.86	11.2	1.07	12.1	1.18	12.9	1.29	14.4	1.53	15.2	1.64
	7	7.1	0.71	8.7	0.88	11.2	1.09	12.1	1.2	12.9	1.31	14.3	1.56	15	1.67
	10	7.1	0.83	8.4	0.99	9.7	1.17	10.3	1.26	10.9	1.35	12.2	1.54	13.4	1.79
	12	7.1	0.84	8.4	1.01	9.7	1.19	10.3	1.28	10.9	1.37	12.2	1.57	13.4	1.77
	14	7.1	0.86	8.4	1.03	9.7	1.21	10.3	1.3	10.9	1.4	12.2	1.59	13.4	1.81
	16	7.1	0.87	8.4	1.05	9.7	1.23	10.3	1.33	10.9	1.42	12.2	1.63	13.4	1.88
	18	7.1	0.89	8.4	1.07	9.7	1.26	10.3	1.36	10.9	1.45	12.2	1.66	13.4	2.01
	20	7.1	0.9	8.4	1.09	9.7	1.28	10.3	1.38	10.9	1.48	12.2	1.73	13.4	2.08
	21	7.1	0.91	8.4	1.09	9.7	1.29	10.3	1.4	10.9	1.51	12.2	1.79	13.4	2.23
	23	7.1	0.93	8.4	1.12	9.7	1.36	10.3	1.49	10.9	1.62	12.2	1.91	13.4	2.38
	25	7.1	0.96	8.4	1.19	9.7	1.45	10.3	1.59	10.9	1.73	12.2	2.05	13.4	2.54
	27	7.1	1.02	8.4	1.27	9.7	1.54	10.3	1.69	10.9	1.85	12.2	2.18	13.4	2.63
	29	7.1	1.08	8.4	1.35	9.7	1.65	10.3	1.8	10.9	1.97	12.2	2.33	13.4	2.73
	31	7.1	1.15	8.4	1.43	9.7	1.75	10.3	1.92	10.9	2.11	12.2	2.49	13.2	2.83
	33	7.1	1.22	8.4	1.6	9.7	1.87	10.3	2.05	10.9	2.24	12.2	2.66	13.1	2.93
	35	7.1	1.29	8.4	1.6	9.7	1.98	10.3	2.18	10.9	2.39	12.2	2.83	12.8	3.04
	37	7.1	1.37	8.4	1.72	9.7	2.11	10.1	2.33	10.9	2.54	12.2	3.02	12.7	3.15
	39	7.1	1.45	8.4	1.83	9.7	2.25	10	2.48	10.9	2.71	12.2	3.21	12.4	3.27
41	6.8	1.63	8	2.01	9.2	2.5	9.8	2.53	10.4	2.77	11.6	3.29	12.3	3.52	
44	6.4	1.77	7.6	2.19	8.8	2.78	9.4	2.86	10	2.98	11.2	3.46	11.9	3.7	
47	6	2.36	7.4	2.91	8.5	2.92	9.1	2.91	9.6	3.18	10.9	3.71	11.5	3.98	
50	5.6	2.32	6.7	2.86	7.7	3.08	8.2	3.15	8.7	3.39	9.8	3.97	10.4	4.16	
52	4.4	1.95	5.1	2.41	5.9	2.62	6.3	2.86	6.8	3.06	7.9	3.54	8.6	3.64	

Combination	Outdoor air temp (°C DB)	Indoor air temp													
		14.0°C WB		16.0°C WB		18.0°C WB		19.0°C WB		20.0°C WB		22.0°C WB		24.0°C WB	
		20.0°C DB		23.0°C DB		26.0°C DB		27.0°C DB		28.0°C DB		30.0°C DB		32.0°C DB	
		TC	PI	TC	PI	TC	PI	TC	PI	TC	PI	TC	PI	TC	PI
		kW	kW	kW	kW	kW	kW	kW	kW	kW	kW	kW	kW	kW	
70%	-5	6.3	0.59	7.7	0.73	9.9	0.89	10.7	0.97	11.4	1.06	12.7	1.25	14	1.45
	0	6.3	0.59	7.7	0.73	9.9	0.89	10.7	0.98	11.4	1.06	12.7	1.25	14	1.46
	4	6.3	0.6	7.7	0.74	9.9	0.89	10.7	0.98	11.4	1.07	12.7	1.26	14	1.46
	7	6.3	0.61	7.7	0.75	9.9	0.91	10.7	1	11.4	1.09	12.6	1.28	13.9	1.49
	10	6.3	0.73	7.4	0.87	8.5	1.01	9.1	1.09	9.6	1.16	10.7	1.32	11.8	1.49
	12	6.3	0.74	7.4	0.88	8.5	1.03	9.1	1.11	9.6	1.18	10.7	1.35	11.8	1.52
	14	6.3	0.75	7.4	0.89	8.5	1.05	9.1	1.12	9.6	1.2	10.7	1.37	11.8	1.54
	16	6.3	0.76	7.4	0.91	8.5	1.07	9.1	1.15	9.6	1.23	10.7	1.4	11.8	1.57
	18	6.3	0.78	7.4	0.93	8.5	1.09	9.1	1.17	9.6	1.25	10.7	1.43	11.8	1.6
	20	6.3	0.79	7.4	0.94	8.5	1.11	9.1	1.19	9.6	1.27	10.7	1.45	11.8	1.65
	21	6.3	0.8	7.4	0.95	8.5	1.11	9.1	1.2	9.6	1.29	10.7	1.47	11.8	1.71
	23	6.3	0.81	7.4	0.97	8.5	1.14	9.1	1.24	9.6	1.35	10.7	1.58	11.8	1.83
	25	6.3	0.82	7.4	1.01	8.5	1.21	9.1	1.33	9.6	1.44	10.7	1.69	11.8	1.96
	27	6.3	0.87	7.4	1.07	8.5	1.29	9.1	1.41	9.6	1.54	10.7	1.8	11.8	2.09
	29	6.3	0.93	7.4	1.14	8.5	1.38	9.1	1.51	9.6	1.64	10.7	1.92	11.8	2.23
	31	6.3	0.98	7.4	1.21	8.5	1.47	9.1	1.6	9.6	1.74	10.7	2.05	11.8	2.38
	33	6.3	1.04	7.4	1.29	8.5	1.56	9.1	1.7	9.6	1.86	10.7	2.18	11.8	2.54
	35	6.3	1.1	7.4	1.36	8.5	1.65	9.1	1.81	9.6	1.98	10.7	2.33	11.8	2.71
	37	6.3	1.16	7.4	1.45	8.5	1.76	8.9	1.93	9.6	2.1	10.7	2.48	11.8	2.88
	39	6.3	1.23	7.4	1.53	8.5	1.87	8.8	2.05	9.6	2.23	10.7	2.63	11.8	3.07
41	6	1.39	7.1	1.72	8.1	2.08	8.7	2.1	9.2	2.29	10.2	2.7	11.3	3.14	
44	5.6	1.51	6.7	1.87	7.8	2.32	8.3	2.38	8.8	2.47	9.9	2.84	10.9	3.3	
47	5.4	2.01	6.5	2.49	7.5	2.43	8	2.41	8.5	2.63	9.6	3.05	10.6	3.55	
50	5	1.97	5.9	2.44	6.8	2.56	7.2	2.61	7.7	2.81	8.6	3.26	9.6	3.71	
52	3.9	1.66	4.6	2.06	5.2	2.18	5.6	2.38	6	2.53	7	2.91	7.9	3.25	

Dc Inverter Multi VRF System Technical Sales Guide

Combination	Outdoor air temp (°C DB)	Indoor air temp													
		14.0°C WB		16.0°C WB		18.0°C WB		19.0°C WB		20.0°C WB		22.0°C WB		24.0°C WB	
		20.0°C DB		23.0°C DB		26.0°C DB		27.0°C DB		28.0°C DB		30.0°C DB		32.0°C DB	
		TC	PI	TC	PI	TC	PI	TC	PI	TC	PI	TC	PI	TC	PI
		kW	kW	kW	kW	kW	kW	kW	kW	kW	kW	kW	kW	kW	
60%	-5	5.5	0.5	6.7	0.61	8.5	0.73	9.3	0.79	9.9	0.86	11	1.01	12.1	1.16
	0	5.5	0.5	6.7	0.61	8.5	0.73	9.3	0.8	9.9	0.86	11	1.01	12.1	1.16
	4	5.5	0.5	6.7	0.61	8.5	0.73	9.3	0.8	9.9	0.87	11	1.01	12.1	1.17
	7	5.5	0.51	6.7	0.62	8.5	0.75	9.3	0.81	9.9	0.88	10.9	1.03	12	1.19
	10	5.5	0.63	6.4	0.74	7.4	0.86	7.9	0.92	8.3	0.98	9.3	1.11	10.2	1.25
	12	5.5	0.65	6.4	0.76	7.4	0.88	7.9	0.94	8.3	1	9.3	1.14	10.2	1.27
	14	5.5	0.65	6.4	0.77	7.4	0.89	7.9	0.96	8.3	1.02	9.3	1.16	10.2	1.29
	16	5.5	0.66	6.4	0.78	7.4	0.91	7.9	0.97	8.3	1.04	9.3	1.18	10.2	1.32
	18	5.5	0.67	6.4	0.79	7.4	0.92	7.9	0.99	8.3	1.06	9.3	1.2	10.2	1.34
	20	5.5	0.68	6.4	0.81	7.4	0.94	7.9	1.01	8.3	1.08	9.3	1.22	10.2	1.37
	21	5.5	0.69	6.4	0.81	7.4	0.95	7.9	1.02	8.3	1.09	9.3	1.23	10.2	1.38
	23	5.5	0.7	6.4	0.83	7.4	0.96	7.9	1.04	8.3	1.11	9.3	1.28	10.2	1.47
	25	5.5	0.71	6.4	0.85	7.4	1	7.9	1.09	8.3	1.18	9.3	1.37	10.2	1.57
	27	5.5	0.74	6.4	0.89	7.4	1.07	7.9	1.16	8.3	1.25	9.3	1.46	10.2	1.68
	29	5.5	0.78	6.4	0.95	7.4	1.14	7.9	1.23	8.3	1.34	9.3	1.56	10.2	1.79
	31	5.5	0.83	6.4	1.01	7.4	1.2	7.9	1.31	8.3	1.42	9.3	1.65	10.2	1.91
	33	5.5	0.87	6.4	1.07	7.4	1.28	7.9	1.39	8.3	1.51	9.3	1.76	10.2	2.03
	35	5.5	0.93	6.4	1.13	7.4	1.36	7.9	1.48	8.3	1.6	9.3	1.87	10.2	2.16
	37	5.5	0.98	6.4	1.2	7.4	1.44	7.7	1.57	8.3	1.7	9.3	1.99	10.2	2.3
	39	5.5	1.03	6.4	1.27	7.4	1.52	7.6	1.66	8.3	1.81	9.3	2.12	10.2	2.45
41	5.2	1.17	6.1	1.43	7.1	1.71	7.5	1.71	8	1.86	8.9	2.17	9.8	2.51	
44	4.9	1.27	5.9	1.55	6.8	1.9	7.2	1.94	7.7	2.01	8.6	2.29	9.5	2.64	
47	4.7	1.69	5.7	2.06	6.5	1.99	7	1.97	7.4	2.13	8.3	2.46	9.2	2.84	
50	4.3	1.66	5.2	2.02	5.9	2.1	6.3	2.13	6.7	2.28	7.5	2.62	8.3	2.97	
52	3.4	1.4	4	1.71	4.6	1.79	4.9	1.94	5.2	2.05	6.1	2.34	6.9	2.6	

Combination	Outdoor air temp (°C DB)	Indoor air temp													
		14.0°C WB		16.0°C WB		18.0°C WB		19.0°C WB		20.0°C WB		22.0°C WB		24.0°C WB	
		20.0°C DB		23.0°C DB		26.0°C DB		27.0°C DB		28.0°C DB		30.0°C DB		32.0°C DB	
		TC	PI	TC	PI	TC	PI	TC	PI	TC	PI	TC	PI	TC	PI
		kW	kW	kW	kW	kW	kW	kW	kW	kW	kW	kW	kW	kW	
50%	-5	4.7	0.41	5.7	0.49	7.2	0.58	7.8	0.63	8.3	0.68	9.2	0.79	10.2	0.9
	0	4.7	0.41	5.7	0.49	7.2	0.58	7.8	0.63	8.3	0.68	9.2	0.79	10.2	0.91
	4	4.7	0.41	5.7	0.5	7.2	0.59	7.8	0.64	8.3	0.69	9.2	0.79	10.2	0.91
	7	4.7	0.42	5.7	0.51	7.2	0.6	7.8	0.65	8.3	0.7	9.2	0.81	10.1	0.93
	10	4.7	0.55	5.5	0.63	6.3	0.72	6.7	0.77	7	0.82	7.8	0.92	8.6	1.02
	12	4.7	0.55	5.5	0.64	6.3	0.74	6.7	0.78	7	0.83	7.8	0.94	8.6	1.04
	14	4.7	0.56	5.5	0.65	6.3	0.74	6.7	0.8	7	0.85	7.8	0.95	8.6	1.06
	16	4.7	0.57	5.5	0.66	6.3	0.76	6.7	0.81	7	0.86	7.8	0.97	8.6	1.08
	18	4.7	0.58	5.5	0.67	6.3	0.77	6.7	0.82	7	0.87	7.8	0.98	8.6	1.1
	20	4.7	0.58	5.5	0.68	6.3	0.78	6.7	0.84	7	0.89	7.8	1	8.6	1.12
	21	4.7	0.59	5.5	0.69	6.3	0.79	6.7	0.84	7	0.9	7.8	1.01	8.6	1.13
	23	4.7	0.6	5.5	0.69	6.3	0.8	6.7	0.86	7	0.91	7.8	1.03	8.6	1.16
	25	4.7	0.6	5.5	0.71	6.3	0.82	6.7	0.87	7	0.94	7.8	1.08	8.6	1.23
	27	4.7	0.62	5.5	0.74	6.3	0.86	6.7	0.93	7	1	7.8	1.15	8.6	1.31
	29	4.7	0.65	5.5	0.78	6.3	0.91	6.7	0.99	7	1.07	7.8	1.23	8.6	1.4
	31	4.7	0.69	5.5	0.82	6.3	0.98	6.7	1.05	7	1.13	7.8	1.3	8.6	1.49
	33	4.7	0.73	5.5	0.87	6.3	1.03	6.7	1.11	7	1.2	7.8	1.38	8.6	1.58
	35	4.7	0.77	5.5	0.92	6.3	1.09	6.7	1.18	7	1.27	7.8	1.47	8.6	1.68
	37	4.7	0.81	5.5	0.97	6.3	1.15	6.5	1.25	7	1.35	7.8	1.56	8.6	1.79
	39	4.7	0.85	5.5	1.02	6.3	1.22	6.5	1.32	7	1.43	7.8	1.65	8.6	1.9
41	4.5	0.97	5.2	1.16	6	1.37	6.4	1.36	6.7	1.47	7.5	1.71	8.3	1.95	
44	4.2	1.05	5	1.26	5.7	1.52	6.1	1.54	6.5	1.59	7.2	1.79	8	2.05	
47	4	1.4	4.8	1.67	5.6	1.6	5.9	1.56	6.3	1.69	7	1.93	7.8	2.2	
50	3.7	1.37	4.4	1.64	5	1.68	5.3	1.69	5.6	1.8	6.3	2.06	7	2.3	
52	3	1.16	3.4	1.39	3.9	1.43	4.2	1.54	4.5	1.63	5.2	1.84	5.8	2.02	

Dc Inverter Multi VRF System Technical Sales Guide

GMV-140WL/C-T, GMV-140WL/C-X

TC—Total capacity of outdoor unit; PI—Power input of outdoor unit

Combination	Outdoor air temp(°C DB)	Indoor air temp													
		14.0°C WB		16.0°C WB		18.0°C WB		19.0°C WB		20.0°C WB		22.0°C WB		24.0°C WB	
		20.0°C DB		23.0°C DB		26.0°C DB		27.0°C DB		28.0°C DB		30.0°C DB		32.0°C DB	
		TC	PI	TC	PI	TC	PI	TC	PI	TC	PI	TC	PI	TC	PI
		kW	kW	kW	kW	kW	kW	kW	kW	kW	kW	kW	kW	kW	
135%	-5	14.1	2.1	16.7	2.56	19.4	2.59	20.2	2.6	20.6	2.62	21.1	2.65	21.7	2.67
	0	14.1	2.1	16.7	2.56	19.4	2.59	20.2	2.61	20.6	2.62	21.1	2.65	21.7	2.68
	4	14.1	2.11	16.7	2.57	19.4	2.6	20.2	2.62	20.6	2.63	21.1	2.66	21.7	2.69
	7	14.1	2.15	16.7	2.62	19.4	2.65	20.2	2.67	20.6	2.68	20.9	2.71	21.4	2.74
	10	14.1	2.19	16.7	2.68	19.4	3.18	20.2	3.25	20.4	3.19	20.9	3.05	21.4	2.91
	12	14.1	2.23	16.7	2.73	19.4	3.25	19.9	3.23	20.2	3.17	20.6	3.03	21.1	2.98
	14	14.1	2.27	16.7	2.78	19.4	3.28	19.7	3.22	19.9	3.15	20.4	3.12	20.9	3.16
	16	14.1	2.31	16.7	2.84	19.1	3.27	19.4	3.25	19.6	3.26	20.1	3.29	20.6	3.32
	18	14.1	2.36	16.7	2.89	18.9	3.39	19.1	3.41	19.4	3.43	19.9	3.46	20.4	3.5
	20	14.1	2.41	16.7	3.08	18.6	3.56	18.9	3.58	19.1	3.6	19.6	3.63	20.1	3.67
	21	14.1	2.47	16.7	3.19	18.5	3.64	18.7	3.66	19	3.68	19.5	3.72	20	3.75
	23	14.1	2.65	16.7	3.42	18.2	3.81	18.5	3.83	18.7	3.85	19.2	3.89	19.7	3.92
	25	14.1	2.83	16.7	3.66	17.9	3.98	18.2	3.99	18.5	4.02	19	4.06	19.5	4.1
	27	14.1	3.02	16.7	3.92	17.7	3.5	17.9	4.17	18.2	4.19	18.7	4.23	19.2	4.28
	29	14.1	3.23	16.7	4.19	17.4	4.31	17.7	4.33	17.9	4.36	18.5	4.4	19	4.45
	31	14.1	3.44	16.7	4.43	17.1	4.48	17.4	4.51	17.7	4.53	18.2	4.58	18.7	4.63
	33	14.1	3.67	16.4	4.6	16.9	4.64	17.1	4.67	17.4	4.7	17.9	4.75	18.4	4.81
	35	14.1	3.91	16.1	4.76	16.6	4.82	16.9	4.85	17.1	4.87	17.7	4.93	18.2	4.98
	37	14.1	4.16	15.9	4.94	16.4	4.99	16.6	5.02	16.9	5.05	17.4	5.11	17.9	5.17
	39	14.1	4.43	15.6	5.1	16.1	5.16	16.4	5.19	16.6	5.22	17.1	5.28	17.7	5.35
41	13.3	4.93	15.3	6	15.8	6.07	16.1	5.62	16.3	5.65	16.8	5.72	17.3	5.78	
44	12.4	5.36	14.5	6.53	15	6.75	15.4	6.35	15.7	6.09	16.2	6.01	16.7	6.08	
47	11.7	7.13	14	8.68	14.6	7.09	14.9	6.45	15.1	6.48	15.6	6.46	16.2	6.52	
50	10.7	7	12.6	8.53	13	7.47	13.2	6.98	13.5	6.92	13.9	6.9	14.5	6.82	
52	8.1	5.91	9.3	7.19	9.7	6.36	10	6.35	10.3	6.24	11.1	6.16	11.8	5.98	

Combination	Outdoor air temp (°C DB)	Indoor air temp													
		14.0°C WB		16.0°C WB		18.0°C WB		19.0°C WB		20.0°C WB		22.0°C WB		24.0°C WB	
		20.0°C DB		23.0°C DB		26.0°C DB		27.0°C DB		28.0°C DB		30.0°C DB		32.0°C DB	
		TC	PI	TC	PI	TC	PI	TC	PI	TC	PI	TC	PI	TC	PI
		kW	kW	kW	kW	kW	kW	kW	kW	kW	kW	kW	kW	kW	
120%	-5	13	1.87	16	2.42	19.1	2.57	19.8	2.59	20.2	2.6	20.7	2.63	21.2	2.65
	0	13	1.87	16	2.42	19.1	2.58	19.8	2.59	20.2	2.6	20.7	2.63	21.2	2.66
	4	13	1.88	16	2.43	19.1	2.59	19.8	2.6	20.2	2.61	20.7	2.64	21.2	2.67
	7	13	1.92	16	2.48	19.1	2.63	19.8	2.65	20.2	2.66	20.5	2.69	21	2.72
	10	13	2	15.4	2.44	17.9	2.9	19.2	3.14	20.1	3.27	20.6	3.14	21	3.02
	12	13	2.04	15.4	2.48	17.9	2.96	19.2	3.19	19.8	3.25	20.3	3.13	20.7	3
	14	13	2.07	15.4	2.54	17.9	3.02	19.2	3.26	19.5	3.23	20.1	3.11	20.5	3.13
	16	13	2.11	15.4	2.59	17.9	3.07	19.1	3.28	19.3	3.24	19.8	3.27	20.2	3.3
	18	13	2.15	15.4	2.64	17.9	3.18	18.8	3.39	19	3.41	19.5	3.44	20	3.47
	20	13	2.2	15.4	2.74	17.9	3.42	18.6	3.56	18.8	3.57	19.3	3.6	19.7	3.64
	21	13	2.21	15.4	2.84	17.9	3.54	18.4	3.64	18.6	3.66	19.1	3.69	19.6	3.73
	23	13	2.37	15.4	3.04	17.9	3.79	18.2	3.8	18.4	3.82	18.9	3.86	19.3	3.89
	25	13	2.53	15.4	3.25	17.7	3.96	17.9	3.97	18.1	3.99	18.6	4.03	19.1	4.07
	27	13	2.7	15.4	3.48	17.4	4.12	17.7	4.14	17.9	4.16	18.3	4.2	18.8	4.24
	29	13	2.88	15.4	3.71	17.1	4.28	17.4	4.31	17.6	4.33	18.1	4.37	18.6	4.41
	31	13	3.07	15.4	3.96	16.9	4.46	17.1	4.47	17.4	4.5	17.8	4.55	18.3	4.59
	33	13	3.27	15.4	4.23	16.6	4.62	16.9	4.65	17.1	4.67	17.5	4.72	18	4.76
	35	13	3.48	15.4	4.51	16.3	4.79	16.6	4.81	16.9	4.84	17.3	4.89	17.8	4.94
	37	13	3.71	15.4	4.8	16.1	4.96	16.3	4.99	16.6	5.01	17	5.06	17.5	5.12
	39	13	3.94	15.4	5.07	15.8	5.13	16.1	5.16	16.3	5.19	16.8	5.24	17.3	5.29
41	12.3	4.39	14.7	5.68	15.5	6.03	15.8	5.58	16	5.61	16.5	5.67	16.9	5.73	
44	11.4	4.77	13.9	6.17	14.8	6.7	15.1	6.31	15.4	6.05	15.9	5.97	16.3	6.03	
47	10.8	6.35	13.4	8.22	14.3	7.04	14.5	6.4	14.8	6.44	15.3	6.41	15.8	6.47	
50	9.9	6.23	12	8.07	12.8	7.42	13	6.93	13.2	6.87	13.7	6.85	14.2	6.77	
52	7.5	5.26	8.9	6.81	9.6	6.32	9.8	6.31	10.1	6.19	10.9	6.11	11.6	5.93	

Dc Inverter Multi VRF System Technical Sales Guide

Combination	Outdoor air temp (°C DB)	Indoor air temp													
		14.0°C WB		16.0°C WB		18.0°C WB		19.0°C WB		20.0°C WB		22.0°C WB		24.0°C WB	
		20.0°C DB		23.0°C DB		26.0°C DB		27.0°C DB		28.0°C DB		30.0°C DB		32.0°C DB	
		TC	PI	TC	PI	TC	PI	TC	PI	TC	PI	TC	PI	TC	PI
		kW	kW	kW	kW	kW	kW	kW	kW	kW	kW	kW	kW	kW	
110%	-5	11.9	1.65	14.7	2.13	18.8	2.55	19.4	2.57	19.8	2.58	20.2	2.61	20.8	2.63
	0	11.9	1.66	14.7	2.13	18.8	2.56	19.4	2.57	19.8	2.59	20.2	2.61	20.8	2.63
	4	11.9	1.66	14.7	2.14	18.8	2.57	19.4	2.58	19.8	2.6	20.2	2.62	20.8	2.64
	7	11.9	1.69	14.7	2.18	18.8	2.62	19.4	2.63	19.8	2.64	20	2.67	20.5	2.69
	10	11.9	1.81	14.2	2.21	16.5	2.62	17.6	2.84	18.7	3.05	20.2	3.24	20.6	3.13
	12	11.9	1.85	14.2	2.25	16.5	2.68	17.6	2.89	18.7	3.11	19.9	3.23	20.3	3.11
	14	11.9	1.88	14.2	2.29	16.5	2.73	17.6	2.94	18.7	3.17	19.7	3.23	20.1	3.1
	16	11.9	1.91	14.2	2.34	16.5	2.78	17.6	3	18.7	3.23	19.4	3.25	19.8	3.28
	18	11.9	1.95	14.2	2.38	16.5	2.84	17.6	3.09	18.7	3.39	19.1	3.41	19.6	3.44
	20	11.9	1.99	14.2	2.43	16.5	3	17.6	3.32	18.5	3.55	18.9	3.58	19.3	3.61
	21	11.9	2.01	14.2	2.5	16.5	3.11	17.6	3.44	18.3	3.64	18.7	3.66	19.2	3.69
	23	11.9	2.11	14.2	2.68	16.5	3.34	17.6	3.69	18.1	3.8	18.5	3.83	18.9	3.87
	25	11.9	2.24	14.2	2.87	16.5	3.57	17.6	3.95	17.8	3.96	18.2	4	18.7	4.03
	27	11.9	2.39	14.2	3.07	16.5	3.82	17.3	4.12	17.5	4.13	18	4.17	18.4	4.21
	29	11.9	2.55	14.2	3.27	16.5	4.08	17.1	4.28	17.3	4.3	17.7	4.34	18.2	4.38
	31	11.9	2.72	14.2	3.49	16.5	4.35	16.8	4.45	17	4.47	17.5	4.51	17.9	4.55
	33	11.9	2.89	14.2	3.72	16.3	4.59	16.6	4.62	16.8	4.63	17.2	4.68	17.7	4.72
	35	11.9	3.08	14.2	3.96	16.1	4.76	16.3	4.78	16.5	4.81	16.9	4.85	17.4	4.9
	37	11.9	3.28	14.2	4.22	15.8	4.93	16.1	4.95	16.2	4.97	16.7	5.03	17.1	5.07
	39	11.9	3.48	14.2	4.49	15.5	5.1	15.8	5.12	16	5.15	16.4	5.2	16.9	5.25
41	11.2	3.88	13.5	4.99	15.3	5.99	15.5	5.55	15.7	5.58	16.1	5.63	16.6	5.68	
44	10.5	4.22	12.8	5.43	14.6	6.66	14.8	6.26	15.1	6.01	15.5	5.92	16	5.97	
47	9.9	5.61	12.3	7.22	14.1	6.99	14.3	6.36	14.5	6.39	15	6.36	15.5	6.42	
50	9	5.51	11.1	7.09	12.6	7.37	12.8	6.89	13	6.83	13.4	6.79	13.9	6.71	
52	6.8	4.65	8.2	5.98	9.4	6.28	9.6	6.26	9.9	6.15	10.7	6.07	11.3	5.88	

Combination	Outdoor air temp (°C DB)	Indoor air temp													
		14.0°C WB		16.0°C WB		18.0°C WB		19.0°C WB		20.0°C WB		22.0°C WB		24.0°C WB	
		20.0°C DB		23.0°C DB		26.0°C DB		27.0°C DB		28.0°C DB		30.0°C DB		32.0°C DB	
		TC	PI	TC	PI	TC	PI	TC	PI	TC	PI	TC	PI	TC	PI
		kW	kW	kW	kW	kW	kW	kW	kW	kW	kW	kW	kW	kW	kW
100%	-5	10.8	1.45	13.4	1.85	17.5	2.31	19.1	2.55	19.4	2.56	19.8	2.59	20.3	2.61
	0	10.8	1.45	13.4	1.85	17.5	2.31	19.1	2.56	19.4	2.57	19.8	2.59	20.3	2.61
	4	10.8	1.45	13.4	1.86	17.5	2.32	19.1	2.57	19.4	2.58	19.8	2.6	20.3	2.62
	7	10.8	1.48	13.4	1.9	17.5	2.36	19.1	2.61	19.4	2.63	19.6	2.65	20	2.67
	10	10.8	1.64	12.9	1.99	15	2.35	16	2.54	17	2.75	19.1	3.11	20.2	3.23
	12	10.8	1.66	12.9	2.02	15	2.39	16	2.58	17	2.8	19.1	3.16	19.9	3.2
	14	10.8	1.69	12.9	2.05	15	2.43	16	2.62	17	2.85	19.1	3.22	19.7	3.18
	16	10.8	1.73	12.9	2.1	15	2.48	16	2.68	17	2.91	19.1	3.29	19.4	3.25
	18	10.8	1.77	12.9	2.15	15	2.53	16	2.73	17	2.97	18.8	3.35	19.2	3.4
	20	10.8	1.79	12.9	2.18	15	2.61	16	2.88	17	3.16	18.5	3.53	18.9	3.58
	21	10.8	1.81	12.9	2.2	15	2.7	16	2.98	17	3.27	18.4	3.65	18.8	3.68
	23	10.8	1.86	12.9	2.35	15	2.91	16	3.2	17	3.51	18.2	3.86	18.5	3.9
	25	10.8	1.98	12.9	2.5	15	3.09	16	3.4	17	3.76	17.9	4	18.3	4.04
	27	10.8	2.11	12.9	2.67	15	3.32	16	3.65	17	4.03	17.6	4.14	18	4.18
	29	10.8	2.24	12.9	2.85	15	3.55	16	3.91	17	4.27	17.4	4.34	17.8	4.38
	31	10.8	2.38	12.9	3.04	15	3.78	16	4.21	16.8	4.45	17	4.52	17.5	4.56
	33	10.8	2.53	12.9	3.24	15	4.03	16	4.46	16.5	4.61	16.9	4.65	17.2	4.69
	35	10.8	2.69	12.9	3.45	15	4.3	16	4.75	16.2	4.77	16.6	4.82	17	4.86
	37	10.8	2.87	12.9	3.67	15	4.58	15.7	4.92	16	4.95	16.3	4.98	16.7	5.03
39	10.8	3.05	12.9	3.91	15	4.88	15.5	5.08	15.6	5.11	16.1	5.14	16.3	5.19	
41	10.2	3.39	12.2	4.34	14.2	5.42	15.2	5.51	15.4	5.54	15.8	5.59	16.2	5.64	
44	9.5	3.69	11.6	4.72	13.5	6.02	14.6	6.22	14.8	5.97	15.2	5.88	15.6	5.93	
47	9	4.91	11.2	6.28	13.1	6.32	14	6.32	14.2	6.35	14.7	6.31	15.1	6.37	
50	8.2	4.82	10	6.17	11.7	6.66	12.5	6.84	12.7	6.78	13.1	6.74	13.6	6.66	
52	6.2	4.07	7.5	5.21	8.8	5.67	9.4	6.22	9.7	6.11	10.4	6.02	11	5.83	

Dc Inverter Multi VRF System Technical Sales Guide

Combination	Outdoor air temp (°C DB)	Indoor air temp													
		14.0°C WB		16.0°C WB		18.0°C WB		19.0°C WB		20.0°C WB		22.0°C WB		24.0°C WB	
		20.0°C DB		23.0°C DB		26.0°C DB		27.0°C DB		28.0°C DB		30.0°C DB		32.0°C DB	
		TC	PI	TC	PI	TC	PI	TC	PI	TC	PI	TC	PI	TC	PI
	kW	kW	kW	kW	kW	kW	kW	kW	kW	kW	kW	kW	kW	kW	
90%	-5	10.5	1.26	12.8	1.6	16.5	1.97	18	2.18	19.2	2.4	20.2	2.56	20.6	2.59
	0	10.5	1.26	12.8	1.6	16.5	1.98	18	2.18	19.2	2.4	20.2	2.57	20.6	2.59
	4	10.5	1.27	12.8	1.61	16.5	1.98	18	2.19	19.2	2.41	20.2	2.58	20.6	2.6
	7	10.5	1.29	12.8	1.64	16.5	2.02	18	2.23	19.2	2.45	20	2.63	20.3	2.65
	10	10.5	1.43	12.4	1.72	14.3	2.01	15.2	2.27	16.1	2.41	18	2.76	19.9	3.13
	12	10.5	1.45	12.4	1.74	14.3	2.04	15.2	2.3	16.1	2.46	18	2.81	19.9	3.17
	14	10.5	1.47	12.4	1.77	14.3	2.07	15.2	2.33	16.1	2.5	18	2.86	19.9	3.22
	16	10.5	1.51	12.4	1.81	14.3	2.12	15.2	2.38	16.1	2.56	18	2.92	19.8	3.29
	18	10.5	1.54	12.4	1.85	14.3	2.16	15.2	2.43	16.1	2.61	18	2.99	19.7	3.41
	20	10.5	1.56	12.4	1.88	14.3	2.23	15.2	2.48	16.1	2.72	18	3.22	19.3	3.55
	21	10.5	1.58	12.4	1.9	14.3	2.31	15.2	2.56	16.1	2.81	18	3.32	19.2	3.63
	23	10.5	1.62	12.4	2.03	14.3	2.48	15.2	2.75	16.1	3.01	18	3.57	18.9	3.81
	25	10.5	1.72	12.4	2.16	14.3	2.64	15.2	2.94	16.1	3.22	18	3.82	18.7	3.97
	27	10.5	1.84	12.4	2.3	14.3	2.83	15.2	3.14	16.1	3.44	18	4.08	18.4	4.14
	29	10.5	1.95	12.4	2.46	14.3	3.03	15.2	3.35	16.1	3.67	17.8	4.27	18.2	4.31
	31	10.5	2.08	12.4	2.62	14.3	3.23	15.2	3.58	16.1	3.92	17.5	4.43	17.9	4.49
	33	10.5	2.21	12.4	2.79	14.3	3.44	15.2	3.8	16.1	4.17	17.3	4.61	17.7	4.65
	35	10.5	2.35	12.4	2.97	14.3	3.67	15.2	4.06	16.1	4.46	17	4.77	17.4	4.82
	37	10.5	2.5	12.4	3.17	14.3	3.91	14.9	4.2	16.1	4.77	16.7	4.95	17.1	4.93
	39	10.5	2.66	12.4	3.37	14.3	4.16	14.8	4.34	16.1	5.06	16.5	5.13	16.9	5.12
41	10	2.96	11.8	3.75	13.6	4.63	14.5	4.71	15.4	5.18	16.2	5.54	16.6	5.59	
44	9.4	3.22	11.2	4.07	13	5.14	13.9	5.31	14.8	5.58	15.7	5.82	16	5.88	
47	8.9	4.28	10.9	5.42	12.6	5.4	13.4	5.4	14.3	5.93	15.2	6.25	15.5	6.31	
50	8.2	4.2	9.8	5.32	11.3	5.69	12.1	5.84	12.8	6.34	13.6	6.68	14.1	6.6	
52	6.4	3.55	7.5	4.49	8.7	4.85	9.3	5.31	10	5.71	11	5.97	11.6	5.78	

Combination	Outdoor air temp (°C DB)	Indoor air temp													
		14.0°C WB		16.0°C WB		18.0°C WB		19.0°C WB		20.0°C WB		22.0°C WB		24.0°C WB	
		20.0°C DB		23.0°C DB		26.0°C DB		27.0°C DB		28.0°C DB		30.0°C DB		32.0°C DB	
		TC	PI	TC	PI	TC	PI	TC	PI	TC	PI	TC	PI	TC	PI
		kW	kW	kW	kW	kW	kW	kW	kW	kW	kW	kW	kW	kW	
80%	-5	9.4	1.09	11.5	1.34	14.8	1.67	16.1	1.84	17.1	2.01	19.1	2.39	20.1	2.56
	0	9.4	1.09	11.5	1.35	14.8	1.67	16.1	1.84	17.1	2.01	19.1	2.39	20.1	2.56
	4	9.4	1.1	11.5	1.35	14.8	1.68	16.1	1.85	17.1	2.02	19.1	2.4	20.1	2.57
	7	9.4	1.12	11.5	1.38	14.8	1.71	16.1	1.88	17.1	2.06	18.9	2.44	19.9	2.62
	10	9.4	1.3	11.1	1.56	12.8	1.83	13.6	1.97	14.4	2.11	16.1	2.41	17.8	2.8
	12	9.4	1.32	11.1	1.58	12.8	1.86	13.6	2.01	14.4	2.15	16.1	2.45	17.8	2.78
	14	9.4	1.34	11.1	1.61	12.8	1.89	13.6	2.04	14.4	2.19	16.1	2.5	17.8	2.84
	16	9.4	1.36	11.1	1.64	12.8	1.93	13.6	2.08	14.4	2.22	16.1	2.55	17.8	2.94
	18	9.4	1.39	11.1	1.67	12.8	1.98	13.6	2.13	14.4	2.27	16.1	2.61	17.8	3.15
	20	9.4	1.41	11.1	1.7	12.8	2.01	13.6	2.16	14.4	2.32	16.1	2.7	17.8	3.26
	21	9.4	1.43	11.1	1.72	12.8	2.03	13.6	2.19	14.4	2.37	16.1	2.8	17.8	3.49
	23	9.4	1.45	11.1	1.75	12.8	2.13	13.6	2.33	14.4	2.54	16.1	3	17.8	3.74
	25	9.4	1.5	11.1	1.86	12.8	2.27	13.6	2.49	14.4	2.71	16.1	3.21	17.8	3.99
	27	9.4	1.59	11.1	1.98	12.8	2.42	13.6	2.66	14.4	2.9	16.1	3.42	17.8	4.13
	29	9.4	1.7	11.1	2.11	12.8	2.58	13.6	2.83	14.4	3.1	16.1	3.66	17.8	4.28
	31	9.4	1.8	11.1	2.25	12.8	2.75	13.6	3.02	14.4	3.3	16.1	3.9	17.5	4.43
	33	9.4	1.91	11.1	2.5	12.8	2.93	13.6	3.21	14.4	3.51	16.1	4.16	17.3	4.59
	35	9.4	2.03	11.1	2.5	12.8	3.11	13.6	3.42	14.4	3.74	16.1	4.44	17	4.76
	37	9.4	2.15	11.1	2.7	12.8	3.31	13.4	3.65	14.4	3.99	16.1	4.73	16.7	4.94
	39	9.4	2.28	11.1	2.86	12.8	3.52	13.2	3.88	14.4	4.25	16.1	5.04	16.5	5.12
41	9	2.56	10.6	3.15	12.2	3.92	13	3.97	13.7	4.34	15.4	5.15	16.2	5.52	
44	8.4	2.78	10.1	3.43	11.6	4.36	12.4	4.49	13.2	4.68	14.8	5.42	15.7	5.81	
47	8	3.7	9.7	4.56	11.3	4.57	12	4.55	12.7	4.98	14.3	5.82	15.2	6.24	
50	7.4	3.63	8.8	4.48	10.2	4.82	10.8	4.93	11.5	5.32	12.9	6.22	13.7	6.52	
52	5.8	3.06	6.8	3.78	7.8	4.11	8.4	4.49	8.9	4.79	10.4	5.55	11.3	5.71	

Dc Inverter Multi VRF System Technical Sales Guide

Combination	Outdoor air temp (°C DB)	Indoor air temp													
		14.0°C WB		16.0°C WB		18.0°C WB		19.0°C WB		20.0°C WB		22.0°C WB		24.0°C WB	
		20.0°C DB		23.0°C DB		26.0°C DB		27.0°C DB		28.0°C DB		30.0°C DB		32.0°C DB	
		TC	PI	TC	PI	TC	PI	TC	PI	TC	PI	TC	PI	TC	PI
	kW	kW	kW	kW	kW	kW	kW	kW	kW	kW	kW	kW	kW	kW	
70%	-5	8.4	0.93	10.2	1.15	13	1.39	14.2	1.53	15.1	1.66	16.8	1.96	18.6	2.28
	0	8.4	0.93	10.2	1.15	13	1.39	14.2	1.53	15.1	1.67	16.8	1.96	18.6	2.28
	4	8.4	0.93	10.2	1.15	13	1.4	14.2	1.53	15.1	1.67	16.8	1.97	18.6	2.29
	7	8.4	0.95	10.2	1.18	13	1.43	14.2	1.56	15.1	1.7	16.7	2.01	18.3	2.33
	10	8.4	1.15	9.8	1.36	11.3	1.58	12	1.7	12.7	1.82	14.2	2.07	15.7	2.33
	12	8.4	1.16	9.8	1.38	11.3	1.61	12	1.73	12.7	1.86	14.2	2.11	15.7	2.38
	14	8.4	1.18	9.8	1.4	11.3	1.64	12	1.76	12.7	1.89	14.2	2.15	15.7	2.42
	16	8.4	1.2	9.8	1.43	11.3	1.67	12	1.8	12.7	1.93	14.2	2.19	15.7	2.46
	18	8.4	1.22	9.8	1.45	11.3	1.7	12	1.83	12.7	1.96	14.2	2.23	15.7	2.52
	20	8.4	1.24	9.8	1.48	11.3	1.73	12	1.86	12.7	2	14.2	2.28	15.7	2.59
	21	8.4	1.25	9.8	1.49	11.3	1.75	12	1.88	12.7	2.02	14.2	2.3	15.7	2.68
	23	8.4	1.27	9.8	1.52	11.3	1.79	12	1.95	12.7	2.12	14.2	2.48	15.7	2.87
	25	8.4	1.29	9.8	1.58	11.3	1.9	12	2.08	12.7	2.26	14.2	2.65	15.7	3.07
	27	8.4	1.37	9.8	1.68	11.3	2.03	12	2.21	12.7	2.41	14.2	2.83	15.7	3.28
	29	8.4	1.45	9.8	1.79	11.3	2.16	12	2.36	12.7	2.57	14.2	3.02	15.7	3.5
	31	8.4	1.54	9.8	1.89	11.3	2.3	12	2.51	12.7	2.73	14.2	3.21	15.7	3.73
	33	8.4	1.63	9.8	2.02	11.3	2.45	12	2.67	12.7	2.91	14.2	3.42	15.7	3.98
	35	8.4	1.73	9.8	2.14	11.3	2.59	12	2.84	12.7	3.1	14.2	3.65	15.7	4.24
	37	8.4	1.82	9.8	2.27	11.3	2.76	11.8	3.02	12.7	3.3	14.2	3.89	15.7	4.52
	39	8.4	1.93	9.8	2.4	11.3	2.93	11.7	3.21	12.7	3.5	14.2	4.13	15.7	4.81
41	7.9	2.18	9.3	2.69	10.8	3.27	11.4	3.3	12.1	3.59	13.6	4.23	15	4.92	
44	7.5	2.37	8.9	2.93	10.3	3.63	11	3.72	11.7	3.87	13.1	4.45	14.5	5.18	
47	7.1	3.15	8.6	3.9	10	3.81	10.6	3.78	11.3	4.12	12.7	4.78	14	5.56	
50	6.5	3.09	7.8	3.83	9	4.02	9.6	4.09	10.2	4.4	11.4	5.11	12.7	5.81	
52	5.2	2.61	6	3.23	6.9	3.42	7.4	3.72	8	3.97	9.2	4.56	10.5	5.09	

Combination	Outdoor air temp (°C DB)	Indoor air temp													
		14.0°C WB		16.0°C WB		18.0°C WB		19.0°C WB		20.0°C WB		22.0°C WB		24.0°C WB	
		20.0°C DB		23.0°C DB		26.0°C DB		27.0°C DB		28.0°C DB		30.0°C DB		32.0°C DB	
		TC	PI	TC	PI	TC	PI	TC	PI	TC	PI	TC	PI	TC	PI
		kW	kW	kW	kW	kW	kW	kW	kW	kW	kW	kW	kW	kW	
60%	-5	7.3	0.78	8.8	0.95	11.3	1.14	12.2	1.24	13.1	1.35	14.5	1.58	16	1.82
	0	7.3	0.78	8.8	0.95	11.3	1.14	12.2	1.25	13.1	1.35	14.5	1.58	16	1.83
	4	7.3	0.78	8.8	0.96	11.3	1.15	12.2	1.25	13.1	1.36	14.5	1.59	16	1.83
	7	7.3	0.8	8.8	0.98	11.3	1.17	12.2	1.27	13.1	1.38	14.4	1.62	15.8	1.87
	10	7.3	0.99	8.5	1.17	9.8	1.35	10.4	1.45	11	1.54	12.3	1.75	13.5	1.96
	12	7.3	1.01	8.5	1.18	9.8	1.38	10.4	1.47	11	1.57	12.3	1.78	13.5	1.99
	14	7.3	1.02	8.5	1.2	9.8	1.4	10.4	1.5	11	1.6	12.3	1.81	13.5	2.03
	16	7.3	1.04	8.5	1.22	9.8	1.42	10.4	1.52	11	1.63	12.3	1.84	13.5	2.07
	18	7.3	1.06	8.5	1.24	9.8	1.45	10.4	1.55	11	1.66	12.3	1.88	13.5	2.11
	20	7.3	1.07	8.5	1.27	9.8	1.47	10.4	1.58	11	1.69	12.3	1.91	13.5	2.15
	21	7.3	1.08	8.5	1.27	9.8	1.49	10.4	1.59	11	1.7	12.3	1.93	13.5	2.17
	23	7.3	1.09	8.5	1.3	9.8	1.51	10.4	1.63	11	1.73	12.3	2.01	13.5	2.31
	25	7.3	1.11	8.5	1.33	9.8	1.57	10.4	1.7	11	1.84	12.3	2.14	13.5	2.46
	27	7.3	1.16	8.5	1.4	9.8	1.67	10.4	1.82	11	1.97	12.3	2.29	13.5	2.63
	29	7.3	1.22	8.5	1.49	9.8	1.78	10.4	1.93	11	2.09	12.3	2.44	13.5	2.81
	31	7.3	1.3	8.5	1.58	9.8	1.89	10.4	2.05	11	2.23	12.3	2.59	13.5	2.99
	33	7.3	1.37	8.5	1.67	9.8	2	10.4	2.18	11	2.37	12.3	2.76	13.5	3.19
	35	7.3	1.45	8.5	1.77	9.8	2.13	10.4	2.32	11	2.52	12.3	2.94	13.5	3.39
	37	7.3	1.54	8.5	1.88	9.8	2.25	10.2	2.46	11	2.67	12.3	3.12	13.5	3.61
	39	7.3	1.62	8.5	1.98	9.8	2.39	10.1	2.61	11	2.84	12.3	3.32	13.5	3.84
41	6.9	1.83	8.1	2.23	9.3	2.68	9.9	2.69	10.5	2.92	11.7	3.41	12.9	3.94	
44	6.5	1.99	7.7	2.43	8.9	2.98	9.5	3.04	10.1	3.14	11.3	3.58	12.5	4.14	
47	6.2	2.65	7.5	3.23	8.7	3.12	9.2	3.08	9.8	3.35	11	3.85	12.1	4.44	
50	5.7	2.6	6.8	3.17	7.8	3.29	8.3	3.34	8.8	3.57	9.9	4.11	11	4.65	
52	4.5	2.19	5.3	2.68	6.1	2.81	6.5	3.04	6.9	3.22	8	3.67	9.1	4.07	

Dc Inverter Multi VRF System Technical Sales Guide

Combination	Outdoor air temp (°C DB)	Indoor air temp													
		14.0°C WB		16.0°C WB		18.0°C WB		19.0°C WB		20.0°C WB		22.0°C WB		24.0°C WB	
		20.0°C DB		23.0°C DB		26.0°C DB		27.0°C DB		28.0°C DB		30.0°C DB		32.0°C DB	
		TC	PI	TC	PI	TC	PI	TC	PI	TC	PI	TC	PI	TC	PI
	kW	kW	kW	kW	kW	kW	kW	kW	kW	kW	kW	kW	kW	kW	
50%	-5	6.2	0.65	7.5	0.77	9.5	0.91	10.3	0.99	11	1.07	12.2	1.24	13.5	1.42
	0	6.2	0.65	7.5	0.77	9.5	0.92	10.3	0.99	11	1.07	12.2	1.24	13.5	1.42
	4	6.2	0.65	7.5	0.78	9.5	0.92	10.3	1	11	1.08	12.2	1.24	13.5	1.42
	7	6.2	0.66	7.5	0.79	9.5	0.94	10.3	1.01	11	1.09	12.1	1.27	13.3	1.45
	10	6.2	0.86	7.2	0.99	8.3	1.13	8.8	1.21	9.3	1.28	10.4	1.44	11.4	1.61
	12	6.2	0.86	7.2	1.01	8.3	1.15	8.8	1.22	9.3	1.31	10.4	1.47	11.4	1.63
	14	6.2	0.88	7.2	1.02	8.3	1.17	8.8	1.25	9.3	1.33	10.4	1.49	11.4	1.66
	16	6.2	0.89	7.2	1.03	8.3	1.18	8.8	1.27	9.3	1.34	10.4	1.52	11.4	1.69
	18	6.2	0.9	7.2	1.05	8.3	1.2	8.8	1.29	9.3	1.37	10.4	1.54	11.4	1.72
	20	6.2	0.92	7.2	1.06	8.3	1.22	8.8	1.31	9.3	1.4	10.4	1.57	11.4	1.75
	21	6.2	0.92	7.2	1.08	8.3	1.24	8.8	1.32	9.3	1.41	10.4	1.59	11.4	1.77
	23	6.2	0.93	7.2	1.09	8.3	1.25	8.8	1.34	9.3	1.43	10.4	1.61	11.4	1.81
	25	6.2	0.95	7.2	1.11	8.3	1.28	8.8	1.37	9.3	1.48	10.4	1.7	11.4	1.93
	27	6.2	0.97	7.2	1.15	8.3	1.35	8.8	1.46	9.3	1.57	10.4	1.81	11.4	2.06
	29	6.2	1.02	7.2	1.22	8.3	1.43	8.8	1.55	9.3	1.67	10.4	1.92	11.4	2.2
	31	6.2	1.08	7.2	1.29	8.3	1.53	8.8	1.65	9.3	1.77	10.4	2.04	11.4	2.34
	33	6.2	1.14	7.2	1.36	8.3	1.61	8.8	1.74	9.3	1.88	10.4	2.17	11.4	2.48
	35	6.2	1.2	7.2	1.44	8.3	1.7	8.8	1.84	9.3	1.99	10.4	2.3	11.4	2.64
	37	6.2	1.27	7.2	1.52	8.3	1.81	8.7	1.95	9.3	2.11	10.4	2.45	11.4	2.8
	39	6.2	1.34	7.2	1.61	8.3	1.91	8.6	2.07	9.3	2.24	10.4	2.59	11.4	2.98
41	5.9	1.52	6.9	1.81	7.9	2.15	8.4	2.14	8.9	2.31	9.9	2.67	10.9	3.06	
44	5.6	1.65	6.6	1.97	7.6	2.38	8.1	2.42	8.5	2.49	9.6	2.81	10.6	3.22	
47	5.3	2.19	6.4	2.63	7.3	2.5	7.8	2.45	8.3	2.65	9.3	3.02	10.3	3.46	
50	4.9	2.15	5.8	2.58	6.6	2.64	7.1	2.65	7.5	2.83	8.4	3.23	9.3	3.61	
52	3.9	1.82	4.5	2.17	5.2	2.25	5.5	2.42	5.9	2.55	6.8	2.88	7.7	3.16	

GMV-160WL/C-T, GMV-160WL/C-X

TC—Total capacity of outdoor unit; PI—Power input of outdoor unit

Combination	Outdoor air temp (°C DB)	Indoor air temp													
		14.0°C WB		16.0°C WB		18.0°C WB		19.0°C WB		20.0°C WB		22.0°C WB		24.0°C WB	
		20.0°C DB		23.0°C DB		26.0°C DB		27.0°C DB		28.0°C DB		30.0°C DB		32.0°C DB	
		TC	PI	TC	PI	TC	PI	TC	PI	TC	PI	TC	PI	TC	PI
		kW	kW	kW	kW	kW	kW	kW	kW	kW	kW	kW	kW	kW	
135%	-5	14.1	2.1	16.7	2.56	19.4	2.59	20.2	2.6	20.6	2.62	21.1	2.65	21.7	2.67
	0	14.1	2.1	16.7	2.56	19.4	2.59	20.2	2.61	20.6	2.62	21.1	2.65	21.7	2.68
	4	14.1	2.11	16.7	2.57	19.4	2.6	20.2	2.62	20.6	2.63	21.1	2.66	21.7	2.69
	7	14.1	2.15	16.7	2.62	19.4	2.65	20.2	2.67	20.6	2.68	20.9	2.71	21.4	2.74
	10	14.1	2.19	16.7	2.68	19.4	3.18	20.2	3.25	20.4	3.19	20.9	3.05	21.4	2.91
	12	14.1	2.23	16.7	2.73	19.4	3.25	19.9	3.23	20.2	3.17	20.6	3.03	21.1	2.98
	14	14.1	2.27	16.7	2.78	19.4	3.28	19.7	3.22	19.9	3.15	20.4	3.12	20.9	3.16
	16	14.1	2.31	16.7	2.84	19.1	3.27	19.4	3.25	19.6	3.26	20.1	3.29	20.6	3.32
	18	14.1	2.36	16.7	2.89	18.9	3.39	19.1	3.41	19.4	3.43	19.9	3.46	20.4	3.5
	20	14.1	2.41	16.7	3.08	18.6	3.56	18.9	3.58	19.1	3.6	19.6	3.63	20.1	3.67
	21	14.1	2.47	16.7	3.19	18.5	3.64	18.7	3.66	19	3.68	19.5	3.72	20	3.75
	23	14.1	2.65	16.7	3.42	18.2	3.81	18.5	3.83	18.7	3.85	19.2	3.89	19.7	3.92
	25	14.1	2.83	16.7	3.66	17.9	3.98	18.2	3.99	18.5	4.02	19	4.06	19.5	4.1
	27	14.1	3.02	16.7	3.92	17.7	3.5	17.9	4.17	18.2	4.19	18.7	4.23	19.2	4.28
	29	14.1	3.23	16.7	4.19	17.4	4.31	17.7	4.33	17.9	4.36	18.5	4.4	19	4.45
	31	14.1	3.44	16.7	4.43	17.1	4.48	17.4	4.51	17.7	4.53	18.2	4.58	18.7	4.63
	33	14.1	3.67	16.4	4.6	16.9	4.64	17.1	4.67	17.4	4.7	17.9	4.75	18.4	4.81
	35	14.1	3.91	16.1	4.76	16.6	4.82	16.9	4.85	17.1	4.87	17.7	4.93	18.2	4.98
	37	14.1	4.16	15.9	4.94	16.4	4.99	16.6	5.02	16.9	5.05	17.4	5.11	17.9	5.17
	39	14.1	4.43	15.6	5.1	16.1	5.16	16.4	5.19	16.6	5.22	17.1	5.28	17.7	5.35
41	13.3	4.93	15.3	6	15.8	6.07	16.1	5.62	16.3	5.65	16.8	5.72	17.3	5.78	
44	12.4	5.36	14.5	6.53	15	6.75	15.4	6.35	15.7	6.09	16.2	6.01	16.7	6.08	
47	11.7	7.13	14	8.68	14.6	7.09	14.9	6.45	15.1	6.48	15.6	6.46	16.2	6.52	
50	10.7	7	12.6	8.53	13	7.47	13.2	6.98	13.5	6.92	13.9	6.9	14.5	6.82	
52	8.1	5.91	9.3	7.19	9.7	6.36	10	6.35	10.3	6.24	11.1	6.16	11.8	5.98	

Dc Inverter Multi VRF System Technical Sales Guide

Combination	Outdoor air temp (°C DB)	Indoor air temp													
		14.0°C WB		16.0°C WB		18.0°C WB		19.0°C WB		20.0°C WB		22.0°C WB		24.0°C WB	
		20.0°C DB		23.0°C DB		26.0°C DB		27.0°C DB		28.0°C DB		30.0°C DB		32.0°C DB	
		TC	PI	TC	PI	TC	PI	TC	PI	TC	PI	TC	PI	TC	PI
	kW	kW	kW	kW	kW	kW	kW	kW	kW	kW	kW	kW	kW	kW	
120%	-5	13	1.87	16	2.42	19.1	2.57	19.8	2.59	20.2	2.6	20.7	2.63	21.2	2.65
	0	13	1.87	16	2.42	19.1	2.58	19.8	2.59	20.2	2.6	20.7	2.63	21.2	2.66
	4	13	1.88	16	2.43	19.1	2.59	19.8	2.6	20.2	2.61	20.7	2.64	21.2	2.67
	7	13	1.92	16	2.48	19.1	2.63	19.8	2.65	20.2	2.66	20.5	2.69	21	2.72
	10	13	2	15.4	2.44	17.9	2.9	19.2	3.14	20.1	3.27	20.6	3.14	21	3.02
	12	13	2.04	15.4	2.48	17.9	2.96	19.2	3.19	19.8	3.25	20.3	3.13	20.7	3
	14	13	2.07	15.4	2.54	17.9	3.02	19.2	3.26	19.5	3.23	20.1	3.11	20.5	3.13
	16	13	2.11	15.4	2.59	17.9	3.07	19.1	3.28	19.3	3.24	19.8	3.27	20.2	3.3
	18	13	2.15	15.4	2.64	17.9	3.18	18.8	3.39	19	3.41	19.5	3.44	20	3.47
	20	13	2.2	15.4	2.74	17.9	3.42	18.6	3.56	18.8	3.57	19.3	3.6	19.7	3.64
	21	13	2.21	15.4	2.84	17.9	3.54	18.4	3.64	18.6	3.66	19.1	3.69	19.6	3.73
	23	13	2.37	15.4	3.04	17.9	3.79	18.2	3.8	18.4	3.82	18.9	3.86	19.3	3.89
	25	13	2.53	15.4	3.25	17.7	3.96	17.9	3.97	18.1	3.99	18.6	4.03	19.1	4.07
	27	13	2.7	15.4	3.48	17.4	4.12	17.7	4.14	17.9	4.16	18.3	4.2	18.8	4.24
	29	13	2.88	15.4	3.71	17.1	4.28	17.4	4.31	17.6	4.33	18.1	4.37	18.6	4.41
	31	13	3.07	15.4	3.96	16.9	4.46	17.1	4.47	17.4	4.5	17.8	4.55	18.3	4.59
	33	13	3.27	15.4	4.23	16.6	4.62	16.9	4.65	17.1	4.67	17.5	4.72	18	4.76
	35	13	3.48	15.4	4.51	16.3	4.79	16.6	4.81	16.9	4.84	17.3	4.89	17.8	4.94
	37	13	3.71	15.4	4.8	16.1	4.96	16.3	4.99	16.6	5.01	17	5.06	17.5	5.12
	39	13	3.94	15.4	5.07	15.8	5.13	16.1	5.16	16.3	5.19	16.8	5.24	17.3	5.29
41	12.3	4.39	14.7	5.68	15.5	6.03	15.8	5.58	16	5.61	16.5	5.67	16.9	5.73	
44	11.4	4.77	13.9	6.17	14.8	6.7	15.1	6.31	15.4	6.05	15.9	5.97	16.3	6.03	
47	10.8	6.35	13.4	8.22	14.3	7.04	14.5	6.4	14.8	6.44	15.3	6.41	15.8	6.47	
50	9.9	6.23	12	8.07	12.8	7.42	13	6.93	13.2	6.87	13.7	6.85	14.2	6.77	
52	7.5	5.26	8.9	6.81	9.6	6.32	9.8	6.31	10.1	6.19	10.9	6.11	11.6	5.93	

Combination	Outdoor air temp (°C DB)	Indoor air temp													
		14.0°C WB		16.0°C WB		18.0°C WB		19.0°C WB		20.0°C WB		22.0°C WB		24.0°C WB	
		20.0°C DB		23.0°C DB		26.0°C DB		27.0°C DB		28.0°C DB		30.0°C DB		32.0°C DB	
		TC	PI	TC	PI	TC	PI	TC	PI	TC	PI	TC	PI	TC	PI
		kW	kW	kW	kW	kW	kW	kW	kW	kW	kW	kW	kW	kW	kW
110%	-5	11.9	1.65	14.7	2.13	18.8	2.55	19.4	2.57	19.8	2.58	20.2	2.61	20.8	2.63
	0	11.9	1.66	14.7	2.13	18.8	2.56	19.4	2.57	19.8	2.59	20.2	2.61	20.8	2.63
	4	11.9	1.66	14.7	2.14	18.8	2.57	19.4	2.58	19.8	2.6	20.2	2.62	20.8	2.64
	7	11.9	1.69	14.7	2.18	18.8	2.62	19.4	2.63	19.8	2.64	20	2.67	20.5	2.69
	10	11.9	1.81	14.2	2.21	16.5	2.62	17.6	2.84	18.7	3.05	20.2	3.24	20.6	3.13
	12	11.9	1.85	14.2	2.25	16.5	2.68	17.6	2.89	18.7	3.11	19.9	3.23	20.3	3.11
	14	11.9	1.88	14.2	2.29	16.5	2.73	17.6	2.94	18.7	3.17	19.7	3.23	20.1	3.1
	16	11.9	1.91	14.2	2.34	16.5	2.78	17.6	3	18.7	3.23	19.4	3.25	19.8	3.28
	18	11.9	1.95	14.2	2.38	16.5	2.84	17.6	3.09	18.7	3.39	19.1	3.41	19.6	3.44
	20	11.9	1.99	14.2	2.43	16.5	3	17.6	3.32	18.5	3.55	18.9	3.58	19.3	3.61
	21	11.9	2.01	14.2	2.5	16.5	3.11	17.6	3.44	18.3	3.64	18.7	3.66	19.2	3.69
	23	11.9	2.11	14.2	2.68	16.5	3.34	17.6	3.69	18.1	3.8	18.5	3.83	18.9	3.87
	25	11.9	2.24	14.2	2.87	16.5	3.57	17.6	3.95	17.8	3.96	18.2	4	18.7	4.03
	27	11.9	2.39	14.2	3.07	16.5	3.82	17.3	4.12	17.5	4.13	18	4.17	18.4	4.21
	29	11.9	2.55	14.2	3.27	16.5	4.08	17.1	4.28	17.3	4.3	17.7	4.34	18.2	4.38
	31	11.9	2.72	14.2	3.49	16.5	4.35	16.8	4.45	17	4.47	17.5	4.51	17.9	4.55
	33	11.9	2.89	14.2	3.72	16.3	4.59	16.6	4.62	16.8	4.63	17.2	4.68	17.7	4.72
	35	11.9	3.08	14.2	3.96	16.1	4.76	16.3	4.78	16.5	4.81	16.9	4.85	17.4	4.9
	37	11.9	3.28	14.2	4.22	15.8	4.93	16.1	4.95	16.2	4.97	16.7	5.03	17.1	5.07
	39	11.9	3.48	14.2	4.49	15.5	5.1	15.8	5.12	16	5.15	16.4	5.2	16.9	5.25
41	11.2	3.88	13.5	4.99	15.3	5.99	15.5	5.55	15.7	5.58	16.1	5.63	16.6	5.68	
44	10.5	4.22	12.8	5.43	14.6	6.66	14.8	6.26	15.1	6.01	15.5	5.92	16	5.97	
47	9.9	5.61	12.3	7.22	14.1	6.99	14.3	6.36	14.5	6.39	15	6.36	15.5	6.42	
50	9	5.51	11.1	7.09	12.6	7.37	12.8	6.89	13	6.83	13.4	6.79	13.9	6.71	
52	6.8	4.65	8.2	5.98	9.4	6.28	9.6	6.26	9.9	6.15	10.7	6.07	11.3	5.88	

Dc Inverter Multi VRF System Technical Sales Guide

Combination	Outdoor air temp (°C DB)	Indoor air temp													
		14.0°C WB		16.0°C WB		18.0°C WB		19.0°C WB		20.0°C WB		22.0°C WB		24.0°C WB	
		20.0°C DB		23.0°C DB		26.0°C DB		27.0°C DB		28.0°C DB		30.0°C DB		32.0°C DB	
		TC	PI	TC	PI	TC	PI	TC	PI	TC	PI	TC	PI	TC	PI
		kW	kW	kW	kW	kW	kW	kW	kW	kW	kW	kW	kW	kW	kW
100%	-5	10.8	1.45	13.4	1.85	17.5	2.31	19.1	2.55	19.4	2.56	19.8	2.59	20.3	2.61
	0	10.8	1.45	13.4	1.85	17.5	2.31	19.1	2.56	19.4	2.57	19.8	2.59	20.3	2.61
	4	10.8	1.45	13.4	1.86	17.5	2.32	19.1	2.57	19.4	2.58	19.8	2.6	20.3	2.62
	7	10.8	1.48	13.4	1.9	17.5	2.36	19.1	2.61	19.4	2.63	19.6	2.65	20	2.67
	10	10.8	1.64	12.9	1.99	15	2.35	16	2.54	17	2.75	19.1	3.11	20.2	3.23
	12	10.8	1.66	12.9	2.02	15	2.39	16	2.58	17	2.8	19.1	3.16	19.9	3.2
	14	10.8	1.69	12.9	2.05	15	2.43	16	2.62	17	2.85	19.1	3.22	19.7	3.18
	16	10.8	1.73	12.9	2.1	15	2.48	16	2.68	17	2.91	19.1	3.29	19.4	3.25
	18	10.8	1.77	12.9	2.15	15	2.53	16	2.73	17	2.97	18.8	3.35	19.2	3.4
	20	10.8	1.79	12.9	2.18	15	2.61	16	2.88	17	3.16	18.5	3.53	18.9	3.58
	21	10.8	1.81	12.9	2.2	15	2.7	16	2.98	17	3.27	18.4	3.65	18.8	3.68
	23	10.8	1.86	12.9	2.35	15	2.91	16	3.2	17	3.51	18.2	3.86	18.5	3.9
	25	10.8	1.98	12.9	2.5	15	3.09	16	3.4	17	3.76	17.9	4	18.3	4.04
	27	10.8	2.11	12.9	2.67	15	3.32	16	3.65	17	4.03	17.6	4.14	18	4.18
	29	10.8	2.24	12.9	2.85	15	3.55	16	3.91	17	4.27	17.4	4.34	17.8	4.38
	31	10.8	2.38	12.9	3.04	15	3.78	16	4.21	16.8	4.45	17	4.52	17.5	4.56
	33	10.8	2.53	12.9	3.24	15	4.03	16	4.46	16.5	4.61	16.9	4.65	17.2	4.69
	35	10.8	2.69	12.9	3.45	15	4.3	16	4.75	16.2	4.77	16.6	4.82	17	4.86
	37	10.8	2.87	12.9	3.67	15	4.58	15.7	4.92	16	4.95	16.3	4.98	16.7	5.03
	39	10.8	3.05	12.9	3.91	15	4.88	15.5	5.08	15.6	5.11	16.1	5.14	16.3	5.19
41	10.2	3.39	12.2	4.34	14.2	5.42	15.2	5.51	15.4	5.54	15.8	5.59	16.2	5.64	
44	9.5	3.69	11.6	4.72	13.5	6.02	14.6	6.22	14.8	5.97	15.2	5.88	15.6	5.93	
47	9	4.91	11.2	6.28	13.1	6.32	14	6.32	14.2	6.35	14.7	6.31	15.1	6.37	
50	8.2	4.82	10	6.17	11.7	6.66	12.5	6.84	12.7	6.78	13.1	6.74	13.6	6.66	
52	6.2	4.07	7.5	5.21	8.8	5.67	9.4	6.22	9.7	6.11	10.4	6.02	11	5.83	

Combination	Outdoor air temp (°C DB)	Indoor air temp													
		14.0°C WB		16.0°C WB		18.0°C WB		19.0°C WB		20.0°C WB		22.0°C WB		24.0°C WB	
		20.0°C DB		23.0°C DB		26.0°C DB		27.0°C DB		28.0°C DB		30.0°C DB		32.0°C DB	
		TC	PI	TC	PI	TC	PI	TC	PI	TC	PI	TC	PI	TC	PI
		kW	kW	kW	kW	kW	kW	kW	kW	kW	kW	kW	kW	kW	
90%	-5	10.5	1.26	12.8	1.6	16.5	1.97	18	2.18	19.2	2.4	20.2	2.56	20.6	2.59
	0	10.5	1.26	12.8	1.6	16.5	1.98	18	2.18	19.2	2.4	20.2	2.57	20.6	2.59
	4	10.5	1.27	12.8	1.61	16.5	1.98	18	2.19	19.2	2.41	20.2	2.58	20.6	2.6
	7	10.5	1.29	12.8	1.64	16.5	2.02	18	2.23	19.2	2.45	20	2.63	20.3	2.65
	10	10.5	1.43	12.4	1.72	14.3	2.01	15.2	2.27	16.1	2.41	18	2.76	19.9	3.13
	12	10.5	1.45	12.4	1.74	14.3	2.04	15.2	2.3	16.1	2.46	18	2.81	19.9	3.17
	14	10.5	1.47	12.4	1.77	14.3	2.07	15.2	2.33	16.1	2.5	18	2.86	19.9	3.22
	16	10.5	1.51	12.4	1.81	14.3	2.12	15.2	2.38	16.1	2.56	18	2.92	19.8	3.29
	18	10.5	1.54	12.4	1.85	14.3	2.16	15.2	2.43	16.1	2.61	18	2.99	19.7	3.41
	20	10.5	1.56	12.4	1.88	14.3	2.23	15.2	2.48	16.1	2.72	18	3.22	19.3	3.55
	21	10.5	1.58	12.4	1.9	14.3	2.31	15.2	2.56	16.1	2.81	18	3.32	19.2	3.63
	23	10.5	1.62	12.4	2.03	14.3	2.48	15.2	2.75	16.1	3.01	18	3.57	18.9	3.81
	25	10.5	1.72	12.4	2.16	14.3	2.64	15.2	2.94	16.1	3.22	18	3.82	18.7	3.97
	27	10.5	1.84	12.4	2.3	14.3	2.83	15.2	3.14	16.1	3.44	18	4.08	18.4	4.14
	29	10.5	1.95	12.4	2.46	14.3	3.03	15.2	3.35	16.1	3.67	17.8	4.27	18.2	4.31
	31	10.5	2.08	12.4	2.62	14.3	3.23	15.2	3.58	16.1	3.92	17.5	4.43	17.9	4.49
	33	10.5	2.21	12.4	2.79	14.3	3.44	15.2	3.8	16.1	4.17	17.3	4.61	17.7	4.65
	35	10.5	2.35	12.4	2.97	14.3	3.67	15.2	4.06	16.1	4.46	17	4.77	17.4	4.82
	37	10.5	2.5	12.4	3.17	14.3	3.91	14.9	4.2	16.1	4.77	16.7	4.95	17.1	4.93
	39	10.5	2.66	12.4	3.37	14.3	4.16	14.8	4.34	16.1	5.06	16.5	5.13	16.9	5.12
41	10	2.96	11.8	3.75	13.6	4.63	14.5	4.71	15.4	5.18	16.2	5.54	16.6	5.59	
44	9.4	3.22	11.2	4.07	13	5.14	13.9	5.31	14.8	5.58	15.7	5.82	16	5.88	
47	8.9	4.28	10.9	5.42	12.6	5.4	13.4	5.4	14.3	5.93	15.2	6.25	15.5	6.31	
50	8.2	4.2	9.8	5.32	11.3	5.69	12.1	5.84	12.8	6.34	13.6	6.68	14.1	6.6	
52	6.4	3.55	7.5	4.49	8.7	4.85	9.3	5.31	10	5.71	11	5.97	11.6	5.78	

Dc Inverter Multi VRF System Technical Sales Guide

Combination	Outdoor air temp (°C DB)	Indoor air temp													
		14.0°C WB		16.0°C WB		18.0°C WB		19.0°C WB		20.0°C WB		22.0°C WB		24.0°C WB	
		20.0°C DB		23.0°C DB		26.0°C DB		27.0°C DB		28.0°C DB		30.0°C DB		32.0°C DB	
		TC	PI	TC	PI	TC	PI	TC	PI	TC	PI	TC	PI	TC	PI
	kW	kW	kW	kW	kW	kW	kW	kW	kW	kW	kW	kW	kW	kW	
80%	-5	9.4	1.09	11.5	1.34	14.8	1.67	16.1	1.84	17.1	2.01	19.1	2.39	20.1	2.56
	0	9.4	1.09	11.5	1.35	14.8	1.67	16.1	1.84	17.1	2.01	19.1	2.39	20.1	2.56
	4	9.4	1.1	11.5	1.35	14.8	1.68	16.1	1.85	17.1	2.02	19.1	2.4	20.1	2.57
	7	9.4	1.12	11.5	1.38	14.8	1.71	16.1	1.88	17.1	2.06	18.9	2.44	19.9	2.62
	10	9.4	1.3	11.1	1.56	12.8	1.83	13.6	1.97	14.4	2.11	16.1	2.41	17.8	2.8
	12	9.4	1.32	11.1	1.58	12.8	1.86	13.6	2.01	14.4	2.15	16.1	2.45	17.8	2.78
	14	9.4	1.34	11.1	1.61	12.8	1.89	13.6	2.04	14.4	2.19	16.1	2.5	17.8	2.84
	16	9.4	1.36	11.1	1.64	12.8	1.93	13.6	2.08	14.4	2.22	16.1	2.55	17.8	2.94
	18	9.4	1.39	11.1	1.67	12.8	1.98	13.6	2.13	14.4	2.27	16.1	2.61	17.8	3.15
	20	9.4	1.41	11.1	1.7	12.8	2.01	13.6	2.16	14.4	2.32	16.1	2.7	17.8	3.26
	21	9.4	1.43	11.1	1.72	12.8	2.03	13.6	2.19	14.4	2.37	16.1	2.8	17.8	3.49
	23	9.4	1.45	11.1	1.75	12.8	2.13	13.6	2.33	14.4	2.54	16.1	3	17.8	3.74
	25	9.4	1.5	11.1	1.86	12.8	2.27	13.6	2.49	14.4	2.71	16.1	3.21	17.8	3.99
	27	9.4	1.59	11.1	1.98	12.8	2.42	13.6	2.66	14.4	2.9	16.1	3.42	17.8	4.13
	29	9.4	1.7	11.1	2.11	12.8	2.58	13.6	2.83	14.4	3.1	16.1	3.66	17.8	4.28
	31	9.4	1.8	11.1	2.25	12.8	2.75	13.6	3.02	14.4	3.3	16.1	3.9	17.5	4.43
	33	9.4	1.91	11.1	2.5	12.8	2.93	13.6	3.21	14.4	3.51	16.1	4.16	17.3	4.59
	35	9.4	2.03	11.1	2.5	12.8	3.11	13.6	3.42	14.4	3.74	16.1	4.44	17	4.76
	37	9.4	2.15	11.1	2.7	12.8	3.31	13.4	3.65	14.4	3.99	16.1	4.73	16.7	4.94
	39	9.4	2.28	11.1	2.86	12.8	3.52	13.2	3.88	14.4	4.25	16.1	5.04	16.5	5.12
41	9	2.56	10.6	3.15	12.2	3.92	13	3.97	13.7	4.34	15.4	5.15	16.2	5.52	
44	8.4	2.78	10.1	3.43	11.6	4.36	12.4	4.49	13.2	4.68	14.8	5.42	15.7	5.81	
47	8	3.7	9.7	4.56	11.3	4.57	12	4.55	12.7	4.98	14.3	5.82	15.2	6.24	
50	7.4	3.63	8.8	4.48	10.2	4.82	10.8	4.93	11.5	5.32	12.9	6.22	13.7	6.52	
52	5.8	3.06	6.8	3.78	7.8	4.11	8.4	4.49	8.9	4.79	10.4	5.55	11.3	5.71	

Combination	Outdoor air temp (°C DB)	Indoor air temp													
		14.0°C WB		16.0°C WB		18.0°C WB		19.0°C WB		20.0°C WB		22.0°C WB		24.0°C WB	
		20.0°C DB		23.0°C DB		26.0°C DB		27.0°C DB		28.0°C DB		30.0°C DB		32.0°C DB	
		TC	PI	TC	PI	TC	PI	TC	PI	TC	PI	TC	PI	TC	PI
		kW	kW	kW	kW	kW	kW	kW	kW	kW	kW	kW	kW	kW	
70%	-5	8.4	0.93	10.2	1.15	13	1.39	14.2	1.53	15.1	1.66	16.8	1.96	18.6	2.28
	0	8.4	0.93	10.2	1.15	13	1.39	14.2	1.53	15.1	1.67	16.8	1.96	18.6	2.28
	4	8.4	0.93	10.2	1.15	13	1.4	14.2	1.53	15.1	1.67	16.8	1.97	18.6	2.29
	7	8.4	0.95	10.2	1.18	13	1.43	14.2	1.56	15.1	1.7	16.7	2.01	18.3	2.33
	10	8.4	1.15	9.8	1.36	11.3	1.58	12	1.7	12.7	1.82	14.2	2.07	15.7	2.33
	12	8.4	1.16	9.8	1.38	11.3	1.61	12	1.73	12.7	1.86	14.2	2.11	15.7	2.38
	14	8.4	1.18	9.8	1.4	11.3	1.64	12	1.76	12.7	1.89	14.2	2.15	15.7	2.42
	16	8.4	1.2	9.8	1.43	11.3	1.67	12	1.8	12.7	1.93	14.2	2.19	15.7	2.46
	18	8.4	1.22	9.8	1.45	11.3	1.7	12	1.83	12.7	1.96	14.2	2.23	15.7	2.52
	20	8.4	1.24	9.8	1.48	11.3	1.73	12	1.86	12.7	2	14.2	2.28	15.7	2.59
	21	8.4	1.25	9.8	1.49	11.3	1.75	12	1.88	12.7	2.02	14.2	2.3	15.7	2.68
	23	8.4	1.27	9.8	1.52	11.3	1.79	12	1.95	12.7	2.12	14.2	2.48	15.7	2.87
	25	8.4	1.29	9.8	1.58	11.3	1.9	12	2.08	12.7	2.26	14.2	2.65	15.7	3.07
	27	8.4	1.37	9.8	1.68	11.3	2.03	12	2.21	12.7	2.41	14.2	2.83	15.7	3.28
	29	8.4	1.45	9.8	1.79	11.3	2.16	12	2.36	12.7	2.57	14.2	3.02	15.7	3.5
	31	8.4	1.54	9.8	1.89	11.3	2.3	12	2.51	12.7	2.73	14.2	3.21	15.7	3.73
	33	8.4	1.63	9.8	2.02	11.3	2.45	12	2.67	12.7	2.91	14.2	3.42	15.7	3.98
	35	8.4	1.73	9.8	2.14	11.3	2.59	12	2.84	12.7	3.1	14.2	3.65	15.7	4.24
	37	8.4	1.82	9.8	2.27	11.3	2.76	11.8	3.02	12.7	3.3	14.2	3.89	15.7	4.52
	39	8.4	1.93	9.8	2.4	11.3	2.93	11.7	3.21	12.7	3.5	14.2	4.13	15.7	4.81
41	7.9	2.18	9.3	2.69	10.8	3.27	11.4	3.3	12.1	3.59	13.6	4.23	15	4.92	
44	7.5	2.37	8.9	2.93	10.3	3.63	11	3.72	11.7	3.87	13.1	4.45	14.5	5.18	
47	7.1	3.15	8.6	3.9	10	3.81	10.6	3.78	11.3	4.12	12.7	4.78	14	5.56	
50	6.5	3.09	7.8	3.83	9	4.02	9.6	4.09	10.2	4.4	11.4	5.11	12.7	5.81	
52	5.2	2.61	6	3.23	6.9	3.42	7.4	3.72	8	3.97	9.2	4.56	10.5	5.09	

Dc Inverter Multi VRF System Technical Sales Guide

Combination	Outdoor air temp (°C DB)	Indoor air temp													
		14.0°C WB		16.0°C WB		18.0°C WB		19.0°C WB		20.0°C WB		22.0°C WB		24.0°C WB	
		20.0°C DB		23.0°C DB		26.0°C DB		27.0°C DB		28.0°C DB		30.0°C DB		32.0°C DB	
		TC	PI	TC	PI	TC	PI	TC	PI	TC	PI	TC	PI	TC	PI
		kW	kW	kW	kW	kW	kW	kW	kW	kW	kW	kW	kW	kW	
60%	-5	7.3	0.78	8.8	0.95	11.3	1.14	12.2	1.24	13.1	1.35	14.5	1.58	16	1.82
	0	7.3	0.78	8.8	0.95	11.3	1.14	12.2	1.25	13.1	1.35	14.5	1.58	16	1.83
	4	7.3	0.78	8.8	0.96	11.3	1.15	12.2	1.25	13.1	1.36	14.5	1.59	16	1.83
	7	7.3	0.8	8.8	0.98	11.3	1.17	12.2	1.27	13.1	1.38	14.4	1.62	15.8	1.87
	10	7.3	0.99	8.5	1.17	9.8	1.35	10.4	1.45	11	1.54	12.3	1.75	13.5	1.96
	12	7.3	1.01	8.5	1.18	9.8	1.38	10.4	1.47	11	1.57	12.3	1.78	13.5	1.99
	14	7.3	1.02	8.5	1.2	9.8	1.4	10.4	1.5	11	1.6	12.3	1.81	13.5	2.03
	16	7.3	1.04	8.5	1.22	9.8	1.42	10.4	1.52	11	1.63	12.3	1.84	13.5	2.07
	18	7.3	1.06	8.5	1.24	9.8	1.45	10.4	1.55	11	1.66	12.3	1.88	13.5	2.11
	20	7.3	1.07	8.5	1.27	9.8	1.47	10.4	1.58	11	1.69	12.3	1.91	13.5	2.15
	21	7.3	1.08	8.5	1.27	9.8	1.49	10.4	1.59	11	1.7	12.3	1.93	13.5	2.17
	23	7.3	1.09	8.5	1.3	9.8	1.51	10.4	1.63	11	1.73	12.3	2.01	13.5	2.31
	25	7.3	1.11	8.5	1.33	9.8	1.57	10.4	1.7	11	1.84	12.3	2.14	13.5	2.46
	27	7.3	1.16	8.5	1.4	9.8	1.67	10.4	1.82	11	1.97	12.3	2.29	13.5	2.63
	29	7.3	1.22	8.5	1.49	9.8	1.78	10.4	1.93	11	2.09	12.3	2.44	13.5	2.81
	31	7.3	1.3	8.5	1.58	9.8	1.89	10.4	2.05	11	2.23	12.3	2.59	13.5	2.99
	33	7.3	1.37	8.5	1.67	9.8	2	10.4	2.18	11	2.37	12.3	2.76	13.5	3.19
	35	7.3	1.45	8.5	1.77	9.8	2.13	10.4	2.32	11	2.52	12.3	2.94	13.5	3.39
	37	7.3	1.54	8.5	1.88	9.8	2.25	10.2	2.46	11	2.67	12.3	3.12	13.5	3.61
	39	7.3	1.62	8.5	1.98	9.8	2.39	10.1	2.61	11	2.84	12.3	3.32	13.5	3.84
41	6.9	1.83	8.1	2.23	9.3	2.68	9.9	2.69	10.5	2.92	11.7	3.41	12.9	3.94	
44	6.5	1.99	7.7	2.43	8.9	2.98	9.5	3.04	10.1	3.14	11.3	3.58	12.5	4.14	
47	6.2	2.65	7.5	3.23	8.7	3.12	9.2	3.08	9.8	3.35	11	3.85	12.1	4.44	
50	5.7	2.6	6.8	3.17	7.8	3.29	8.3	3.34	8.8	3.57	9.9	4.11	11	4.65	
52	4.5	2.19	5.3	2.68	6.1	2.81	6.5	3.04	6.9	3.22	8	3.67	9.1	4.07	

Combination	Outdoor air temp (°C DB)	Indoor air temp													
		14.0°C WB		16.0°C WB		18.0°C WB		19.0°C WB		20.0°C WB		22.0°C WB		24.0°C WB	
		20.0°C DB		23.0°C DB		26.0°C DB		27.0°C DB		28.0°C DB		30.0°C DB		32.0°C DB	
		TC	PI	TC	PI	TC	PI	TC	PI	TC	PI	TC	PI	TC	PI
		kW	kW	kW	kW	kW	kW	kW	kW	kW	kW	kW	kW	kW	
50%	-5	6.2	0.65	7.5	0.77	9.5	0.91	10.3	0.99	11	1.07	12.2	1.24	13.5	1.42
	0	6.2	0.65	7.5	0.77	9.5	0.92	10.3	0.99	11	1.07	12.2	1.24	13.5	1.42
	4	6.2	0.65	7.5	0.78	9.5	0.92	10.3	1	11	1.08	12.2	1.24	13.5	1.42
	7	6.2	0.66	7.5	0.79	9.5	0.94	10.3	1.01	11	1.09	12.1	1.27	13.3	1.45
	10	6.2	0.86	7.2	0.99	8.3	1.13	8.8	1.21	9.3	1.28	10.4	1.44	11.4	1.61
	12	6.2	0.86	7.2	1.01	8.3	1.15	8.8	1.22	9.3	1.31	10.4	1.47	11.4	1.63
	14	6.2	0.88	7.2	1.02	8.3	1.17	8.8	1.25	9.3	1.33	10.4	1.49	11.4	1.66
	16	6.2	0.89	7.2	1.03	8.3	1.18	8.8	1.27	9.3	1.34	10.4	1.52	11.4	1.69
	18	6.2	0.9	7.2	1.05	8.3	1.2	8.8	1.29	9.3	1.37	10.4	1.54	11.4	1.72
	20	6.2	0.92	7.2	1.06	8.3	1.22	8.8	1.31	9.3	1.4	10.4	1.57	11.4	1.75
	21	6.2	0.92	7.2	1.08	8.3	1.24	8.8	1.32	9.3	1.41	10.4	1.59	11.4	1.77
	23	6.2	0.93	7.2	1.09	8.3	1.25	8.8	1.34	9.3	1.43	10.4	1.61	11.4	1.81
	25	6.2	0.95	7.2	1.11	8.3	1.28	8.8	1.37	9.3	1.48	10.4	1.7	11.4	1.93
	27	6.2	0.97	7.2	1.15	8.3	1.35	8.8	1.46	9.3	1.57	10.4	1.81	11.4	2.06
	29	6.2	1.02	7.2	1.22	8.3	1.43	8.8	1.55	9.3	1.67	10.4	1.92	11.4	2.2
	31	6.2	1.08	7.2	1.29	8.3	1.53	8.8	1.65	9.3	1.77	10.4	2.04	11.4	2.34
	33	6.2	1.14	7.2	1.36	8.3	1.61	8.8	1.74	9.3	1.88	10.4	2.17	11.4	2.48
	35	6.2	1.2	7.2	1.44	8.3	1.7	8.8	1.84	9.3	1.99	10.4	2.3	11.4	2.64
	37	6.2	1.27	7.2	1.52	8.3	1.81	8.7	1.95	9.3	2.11	10.4	2.45	11.4	2.8
	39	6.2	1.34	7.2	1.61	8.3	1.91	8.6	2.07	9.3	2.24	10.4	2.59	11.4	2.98
41	5.9	1.52	6.9	1.81	7.9	2.15	8.4	2.14	8.9	2.31	9.9	2.67	10.9	3.06	
44	5.6	1.65	6.6	1.97	7.6	2.38	8.1	2.42	8.5	2.49	9.6	2.81	10.6	3.22	
47	5.3	2.19	6.4	2.63	7.3	2.5	7.8	2.45	8.3	2.65	9.3	3.02	10.3	3.46	
50	4.9	2.15	5.8	2.58	6.6	2.64	7.1	2.65	7.5	2.83	8.4	3.23	9.3	3.61	
52	3.9	1.82	4.5	2.17	5.2	2.25	5.5	2.42	5.9	2.55	6.8	2.88	7.7	3.16	

Dc Inverter Multi VRF System Technical Sales Guide

GMV-224WL/C-X

TC—Total capacity of outdoor unit; PI—Power input of outdoor unit

Combination	Outdoor air temp(°C DB)	Indoor air temp													
		14.0°C WB		16.0°C WB		18.0°C WB		19.0°C WB		20.0°C WB		22.0°C WB		24.0°C WB	
		20.0°C DB		23.0°C DB		26.0°C DB		27.0°C DB		28.0°C DB		30.0°C DB		32.0°C DB	
		TC	PI	TC	PI	TC	PI	TC	PI	TC	PI	TC	PI	TC	PI
	kW	kW	kW	kW	kW	kW	kW	kW	kW	kW	kW	kW	kW	kW	
135%	-5	19.7	2.71	23.4	3.3	27.2	3.34	28.2	3.35	28.8	3.37	29.5	3.41	30.4	3.45
	0	19.7	2.71	23.4	3.3	27.2	3.34	28.2	3.36	28.8	3.38	29.5	3.42	30.4	3.45
	4	19.7	2.72	23.4	3.31	27.2	3.35	28.2	3.37	28.8	3.39	29.5	3.43	30.4	3.47
	7	19.7	2.77	23.4	3.38	27.2	3.42	28.2	3.43	28.8	3.45	29.3	3.49	30	3.53
	10	19.7	2.82	23.4	3.45	27.2	4.1	28.2	4.19	28.6	4.11	29.3	3.93	30	3.75
	12	19.7	2.87	23.4	3.51	27.2	4.18	27.8	4.17	28.2	4.08	28.9	3.9	29.6	3.84
	14	19.7	2.93	23.4	3.58	27.1	4.23	27.5	4.15	27.8	4.06	28.6	4.03	29.3	4.07
	16	19.7	2.98	23.4	3.65	26.8	4.21	27.1	4.18	27.4	4.2	28.2	4.24	28.9	4.28
	18	19.7	3.04	23.4	3.73	26.4	4.37	26.7	4.4	27.1	4.42	27.8	4.46	28.6	4.5
	20	19.7	3.1	23.4	3.97	26	4.59	26.4	4.61	26.7	4.64	27.4	4.68	28.2	4.73
	21	19.7	3.18	23.4	4.11	25.8	4.69	26.2	4.72	26.6	4.74	27.3	4.79	28	4.83
	23	19.7	3.41	23.4	4.4	25.5	4.91	25.8	4.93	26.2	4.96	26.9	5.01	27.6	5.06
	25	19.7	3.65	23.4	4.72	25.1	5.12	25.5	5.15	25.8	5.18	26.6	5.23	27.3	5.28
	27	19.7	3.89	23.4	5.05	24.8	4.51	25.1	5.37	25.4	5.39	26.2	5.45	26.9	5.51
	29	19.7	4.16	23.4	5.39	24.4	5.55	24.7	5.58	25.1	5.62	25.8	5.67	26.6	5.73
	31	19.7	4.44	23.4	5.71	24	5.77	24.4	5.81	24.7	5.83	25.4	5.9	26.2	5.96
	33	19.7	4.73	23	5.92	23.7	5.98	24	6.02	24.4	6.05	25.1	6.12	25.8	6.19
	35	19.7	5.04	22.6	6.14	23.3	6.21	23.7	6.24	24	6.28	24.7	6.35	25.4	6.42
	37	19.7	5.36	22.2	6.36	23	6.43	23.3	6.47	23.7	6.51	24.3	6.58	25	6.66
	39	19.7	5.71	21.8	6.57	22.6	6.65	23	6.69	23.3	6.73	24	6.8	24.7	6.89
41	18.6	6.35	21.4	7.73	22.1	7.83	22.5	7.24	22.8	7.28	23.5	7.37	24.2	7.44	
44	17.3	6.9	20.3	8.41	21.1	8.7	21.5	8.18	21.9	7.85	22.6	7.75	23.4	7.83	
47	16.3	9.19	19.6	11.19	20.4	9.13	20.8	8.3	21.1	8.35	21.9	8.32	22.6	8.41	
50	15	9.02	17.6	10.98	18.2	9.63	18.5	8.99	18.8	8.91	19.5	8.89	20.4	8.79	
52	11.3	7.61	13.1	9.27	13.6	8.2	14	8.18	14.4	8.03	15.6	7.94	16.5	7.7	

Combination	Outdoor air temp (°C DB)	Indoor air temp													
		14.0°C WB		16.0°C WB		18.0°C WB		19.0°C WB		20.0°C WB		22.0°C WB		24.0°C WB	
		20.0°C DB		23.0°C DB		26.0°C DB		27.0°C DB		28.0°C DB		30.0°C DB		32.0°C DB	
		TC	PI	TC	PI	TC	PI	TC	PI	TC	PI	TC	PI	TC	PI
	kW	kW	kW	kW	kW	kW	kW	kW	kW	kW	kW	kW	kW	kW	
120%	-5	18.2	2.41	22.4	3.12	26.7	3.31	27.7	3.33	28.3	3.35	28.9	3.38	29.7	3.42
	0	18.2	2.41	22.4	3.12	26.7	3.32	27.7	3.34	28.3	3.35	28.9	3.39	29.7	3.43
	4	18.2	2.42	22.4	3.14	26.7	3.33	27.7	3.35	28.3	3.37	28.9	3.4	29.7	3.44
	7	18.2	2.47	22.4	3.19	26.7	3.39	27.7	3.41	28.3	3.43	28.7	3.47	29.3	3.5
	10	18.2	2.57	21.6	3.14	25.1	3.74	26.9	4.04	28.2	4.21	28.8	4.05	29.4	3.89
	12	18.2	2.62	21.6	3.2	25.1	3.81	26.9	4.12	27.8	4.19	28.4	4.03	29	3.87
	14	18.2	2.67	21.6	3.27	25.1	3.88	26.9	4.2	27.4	4.17	28.1	4.01	28.7	4.03
	16	18.2	2.72	21.6	3.33	25.1	3.96	26.7	4.23	27	4.17	27.7	4.21	28.3	4.25
	18	18.2	2.77	21.6	3.4	25.1	4.1	26.3	4.37	26.6	4.39	27.3	4.43	28	4.47
	20	18.2	2.83	21.6	3.53	25.1	4.4	26	4.59	26.3	4.6	27	4.64	27.6	4.68
	21	18.2	2.85	21.6	3.65	25.1	4.56	25.8	4.69	26.1	4.71	26.8	4.75	27.4	4.8
	23	18.2	3.05	21.6	3.92	25.1	4.88	25.4	4.9	25.8	4.92	26.4	4.97	27	5.01
	25	18.2	3.26	21.6	4.19	24.7	5.1	25	5.11	25.4	5.14	26.1	5.19	26.7	5.24
	27	18.2	3.48	21.6	4.48	24.4	5.3	24.7	5.34	25	5.36	25.7	5.41	26.3	5.46
	29	18.2	3.71	21.6	4.78	24	5.52	24.3	5.55	24.6	5.58	25.3	5.63	26	5.68
	31	18.2	3.96	21.6	5.11	23.7	5.74	24	5.77	24.3	5.8	25	5.86	25.6	5.91
	33	18.2	4.21	21.6	5.45	23.3	5.96	23.6	5.99	23.9	6.01	24.6	6.08	25.2	6.14
	35	18.2	4.49	21.6	5.81	22.9	6.17	23.2	6.2	23.6	6.24	24.2	6.3	24.9	6.37
	37	18.2	4.78	21.6	6.19	22.6	6.39	22.9	6.43	23.2	6.46	23.8	6.52	24.5	6.6
	39	18.2	5.08	21.5	6.53	22.2	6.61	22.5	6.65	22.8	6.68	23.5	6.76	24.2	6.82
41	17.2	5.65	20.5	7.32	21.7	7.77	22.1	7.19	22.4	7.23	23.1	7.31	23.7	7.39	
44	16	6.15	19.4	7.96	20.7	8.64	21.1	8.13	21.5	7.79	22.2	7.69	22.9	7.77	
47	15.1	8.18	18.8	10.59	20	9.07	20.4	8.25	20.8	8.29	21.5	8.25	22.1	8.34	
50	13.8	8.03	16.8	10.39	17.9	9.56	18.2	8.93	18.5	8.85	19.1	8.82	19.9	8.72	
52	10.5	6.78	12.5	8.77	13.4	8.14	13.7	8.13	14.2	7.98	15.3	7.88	16.2	7.64	

Dc Inverter Multi VRF System Technical Sales Guide

Combination	Outdoor air temp (°C DB)	Indoor air temp													
		14.0°C WB		16.0°C WB		18.0°C WB		19.0°C WB		20.0°C WB		22.0°C WB		24.0°C WB	
		20.0°C DB		23.0°C DB		26.0°C DB		27.0°C DB		28.0°C DB		30.0°C DB		32.0°C DB	
		TC	PI	TC	PI	TC	PI	TC	PI	TC	PI	TC	PI	TC	PI
	kW	kW	kW	kW	kW	kW	kW	kW	kW	kW	kW	kW	kW	kW	
110%	-5	16.6	2.13	20.6	2.74	26.4	3.29	27.2	3.31	27.7	3.33	28.3	3.36	29.1	3.39
	0	16.6	2.13	20.6	2.75	26.4	3.3	27.2	3.31	27.7	3.33	28.3	3.36	29.1	3.39
	4	16.6	2.14	20.6	2.76	26.4	3.31	27.2	3.33	27.7	3.34	28.3	3.38	29.1	3.41
	7	16.6	2.18	20.6	2.81	26.4	3.37	27.2	3.39	27.7	3.41	28	3.44	28.7	3.47
	10	16.6	2.33	19.8	2.85	23	3.38	24.6	3.65	26.2	3.93	28.2	4.17	28.9	4.03
	12	16.6	2.38	19.8	2.9	23	3.45	24.6	3.73	26.2	4.01	27.9	4.16	28.5	4.01
	14	16.6	2.42	19.8	2.95	23	3.51	24.6	3.79	26.2	4.08	27.5	4.16	28.2	4
	16	16.6	2.47	19.8	3.01	23	3.58	24.6	3.87	26.2	4.17	27.2	4.18	27.8	4.22
	18	16.6	2.52	19.8	3.07	23	3.65	24.6	3.98	26.2	4.36	26.8	4.4	27.4	4.44
	20	16.6	2.57	19.8	3.13	23	3.87	24.6	4.27	25.8	4.58	26.5	4.61	27	4.65
	21	16.6	2.59	19.8	3.22	23	4.01	24.6	4.43	25.7	4.68	26.2	4.72	26.9	4.76
	23	16.6	2.71	19.8	3.46	23	4.3	24.6	4.75	25.3	4.89	25.9	4.94	26.5	4.98
	25	16.6	2.89	19.8	3.7	23	4.59	24.6	5.09	25	5.11	25.5	5.15	26.2	5.2
	27	16.6	3.08	19.8	3.95	23	4.92	24.2	5.3	24.6	5.32	25.2	5.37	25.8	5.42
	29	16.6	3.29	19.8	4.21	23	5.25	23.9	5.52	24.2	5.54	24.8	5.59	25.4	5.64
	31	16.6	3.51	19.8	4.5	23	5.61	23.5	5.73	23.8	5.76	24.5	5.81	25	5.86
	33	16.6	3.73	19.8	4.79	22.9	5.91	23.2	5.95	23.5	5.97	24.1	6.03	24.7	6.09
	35	16.6	3.97	19.8	5.11	22.6	6.13	22.8	6.16	23.1	6.19	23.7	6.25	24.3	6.31
	37	16.6	4.22	19.8	5.44	22.2	6.35	22.5	6.38	22.7	6.41	23.4	6.47	23.9	6.53
	39	16.6	4.49	19.8	5.79	21.8	6.57	22.1	6.6	22.4	6.63	23	6.7	23.6	6.76
41	15.7	5	18.8	6.43	21.4	7.72	21.7	7.15	22	7.19	22.5	7.25	23.2	7.32	
44	14.6	5.44	17.9	6.99	20.4	8.58	20.7	8.07	21.1	7.74	21.7	7.63	22.4	7.7	
47	13.8	7.23	17.3	9.31	19.7	9.01	20	8.19	20.3	8.24	21	8.19	21.6	8.27	
50	12.6	7.1	15.5	9.14	17.6	9.5	17.9	8.87	18.1	8.8	18.7	8.75	19.5	8.64	
52	9.6	5.99	11.5	7.71	13.2	8.09	13.5	8.07	13.9	7.93	14.9	7.81	15.8	7.57	

Combination	Outdoor air temp (°C DB)	Indoor air temp													
		14.0°C WB		16.0°C WB		18.0°C WB		19.0°C WB		20.0°C WB		22.0°C WB		24.0°C WB	
		20.0°C DB		23.0°C DB		26.0°C DB		27.0°C DB		28.0°C DB		30.0°C DB		32.0°C DB	
		TC	PI	TC	PI	TC	PI	TC	PI	TC	PI	TC	PI	TC	PI
		kW	kW	kW	kW	kW	kW	kW	kW	kW	kW	kW	kW	kW	
100%	-5	15.1	1.86	18.7	2.39	24.5	2.97	26.7	3.29	27.2	3.3	27.7	3.33	28.4	3.36
	0	15.1	1.87	18.7	2.39	24.5	2.98	26.7	3.29	27.2	3.31	27.7	3.34	28.4	3.37
	4	15.1	1.87	18.7	2.4	24.5	2.99	26.7	3.3	27.2	3.32	27.7	3.35	28.4	3.38
	7	15.1	1.91	18.7	2.44	24.5	3.05	26.7	3.37	27.2	3.38	27.5	3.41	28	3.44
	10	15.1	2.11	18	2.57	21	3.03	22.4	3.28	23.8	3.54	26.8	4	28.3	4.16
	12	15.1	2.14	18	2.6	21	3.07	22.4	3.32	23.8	3.61	26.8	4.07	27.9	4.13
	14	15.1	2.18	18	2.64	21	3.13	22.4	3.38	23.8	3.67	26.8	4.14	27.6	4.1
	16	15.1	2.23	18	2.7	21	3.2	22.4	3.46	23.8	3.75	26.7	4.24	27.2	4.19
	18	15.1	2.28	18	2.76	21	3.26	22.4	3.52	23.8	3.83	26.3	4.32	26.9	4.38
	20	15.1	2.31	18	2.81	21	3.37	22.4	3.71	23.8	4.07	25.9	4.55	26.5	4.62
	21	15.1	2.33	18	2.83	21	3.48	22.4	3.84	23.8	4.21	25.8	4.7	26.3	4.74
	23	15.1	2.39	18	3.03	21	3.74	22.4	4.12	23.8	4.53	25.4	4.97	25.9	5.02
	25	15.1	2.55	18	3.22	21	3.98	22.4	4.39	23.8	4.84	25	5.16	25.6	5.2
	27	15.1	2.72	18	3.44	21	4.27	22.4	4.71	23.8	5.2	24.6	5.34	25.2	5.38
	29	15.1	2.88	18	3.68	21	4.57	22.4	5.03	23.8	5.5	24.3	5.59	24.9	5.64
	31	15.1	3.07	18	3.92	21	4.87	22.4	5.42	23.5	5.73	23.7	5.82	24.5	5.87
	33	15.1	3.26	18	4.17	21	5.2	22.4	5.74	23	5.94	23.6	5.99	24.1	6.04
	35	15.1	3.47	18	4.44	21	5.54	22.4	6.12	22.6	6.15	23.2	6.21	23.7	6.26
	37	15.1	3.69	18	4.73	21	5.9	22	6.34	22.4	6.37	22.8	6.42	23.4	6.47
	39	15.1	3.93	18	5.04	21	6.28	21.7	6.55	21.8	6.58	22.6	6.63	22.8	6.69
41	14.3	4.37	17.1	5.6	19.9	6.98	21.3	7.1	21.5	7.13	22.1	7.2	22.6	7.26	
44	13.3	4.75	16.2	6.09	19	7.75	20.4	8.02	20.7	7.69	21.2	7.57	21.8	7.64	
47	12.5	6.32	15.7	8.1	18.3	8.14	19.7	8.14	19.9	8.18	20.5	8.13	21.1	8.2	
50	11.5	6.21	14	7.95	16.4	8.58	17.5	8.81	17.8	8.73	18.3	8.69	19	8.58	
52	8.7	5.24	10.4	6.71	12.3	7.31	13.2	8.02	13.6	7.87	14.6	7.76	15.4	7.51	

Dc Inverter Multi VRF System Technical Sales Guide

Combination	Outdoor air temp (°C DB)	Indoor air temp													
		14.0°C WB		16.0°C WB		18.0°C WB		19.0°C WB		20.0°C WB		22.0°C WB		24.0°C WB	
		20.0°C DB		23.0°C DB		26.0°C DB		27.0°C DB		28.0°C DB		30.0°C DB		32.0°C DB	
		TC	PI	TC	PI	TC	PI	TC	PI	TC	PI	TC	PI	TC	PI
		kW	kW	kW	kW	kW	kW	kW	kW	kW	kW	kW	kW	kW	
90%	-5	14.7	1.63	18	2.06	23.2	2.54	25.2	2.81	26.9	3.09	28.3	3.3	28.8	3.33
	0	14.7	1.63	18	2.06	23.2	2.54	25.2	2.81	26.9	3.09	28.3	3.31	28.8	3.34
	4	14.7	1.63	18	2.07	23.2	2.55	25.2	2.82	26.9	3.1	28.3	3.32	28.8	3.35
	7	14.7	1.66	18	2.11	23.2	2.6	25.2	2.87	26.9	3.16	28	3.38	28.5	3.41
	10	14.7	1.84	17.3	2.21	20	2.59	21.3	2.92	22.6	3.11	25.2	3.56	27.8	4.03
	12	14.7	1.87	17.3	2.24	20	2.63	21.3	2.96	22.6	3.17	25.2	3.62	27.8	4.09
	14	14.7	1.9	17.3	2.28	20	2.67	21.3	3	22.6	3.22	25.2	3.68	27.8	4.15
	16	14.7	1.94	17.3	2.33	20	2.73	21.3	3.07	22.6	3.3	25.2	3.77	27.8	4.23
	18	14.7	1.99	17.3	2.38	20	2.78	21.3	3.13	22.6	3.36	25.2	3.86	27.5	4.39
	20	14.7	2.02	17.3	2.42	20	2.88	21.3	3.19	22.6	3.5	25.2	4.14	27	4.57
	21	14.7	2.04	17.3	2.45	20	2.97	21.3	3.3	22.6	3.62	25.2	4.28	26.9	4.67
	23	14.7	2.09	17.3	2.61	20	3.2	21.3	3.55	22.6	3.87	25.2	4.6	26.5	4.91
	25	14.7	2.22	17.3	2.78	20	3.4	21.3	3.79	22.6	4.14	25.2	4.92	26.2	5.11
	27	14.7	2.37	17.3	2.97	20	3.65	21.3	4.04	22.6	4.44	25.2	5.25	25.8	5.34
	29	14.7	2.51	17.3	3.17	20	3.9	21.3	4.32	22.6	4.73	25	5.51	25.4	5.55
	31	14.7	2.67	17.3	3.38	20	4.16	21.3	4.61	22.6	5.05	24.6	5.7	25	5.78
	33	14.7	2.85	17.3	3.6	20	4.44	21.3	4.9	22.6	5.38	24.2	5.94	24.7	5.99
	35	14.7	3.03	17.3	3.83	20	4.73	21.3	5.23	22.6	5.75	23.8	6.15	24.3	6.21
	37	14.7	3.22	17.3	4.08	20	5.04	20.9	5.41	22.6	6.15	23.4	6.37	24	6.36
	39	14.7	3.43	17.3	4.35	20	5.36	20.7	5.59	22.6	6.52	23.1	6.61	23.6	6.59
41	14	3.81	16.5	4.83	19	5.96	20.3	6.06	21.5	6.67	22.7	7.14	23.2	7.2	
44	13.1	4.15	15.7	5.25	18.2	6.62	19.5	6.85	20.7	7.19	21.9	7.5	22.5	7.57	
47	12.4	5.52	15.2	6.98	17.6	6.95	18.8	6.95	20	7.65	21.2	8.06	21.8	8.13	
50	11.5	5.42	13.8	6.86	15.9	7.33	16.9	7.53	18	8.16	19.1	8.61	19.7	8.5	
52	9	4.57	10.5	5.79	12.2	6.24	13	6.85	14	7.36	15.4	7.69	16.2	7.45	

Combination	Outdoor air temp (°C DB)	Indoor air temp													
		14.0°C WB		16.0°C WB		18.0°C WB		19.0°C WB		20.0°C WB		22.0°C WB		24.0°C WB	
		20.0°C DB		23.0°C DB		26.0°C DB		27.0°C DB		28.0°C DB		30.0°C DB		32.0°C DB	
		TC	PI	TC	PI	TC	PI	TC	PI	TC	PI	TC	PI	TC	PI
		kW	kW	kW	kW	kW	kW	kW	kW	kW	kW	kW	kW	kW	
80%	-5	13.2	1.4	16.1	1.73	20.7	2.15	22.5	2.37	23.9	2.59	26.7	3.07	28.2	3.29
	0	13.2	1.41	16.1	1.74	20.7	2.16	22.5	2.37	23.9	2.59	26.7	3.08	28.2	3.3
	4	13.2	1.41	16.1	1.74	20.7	2.16	22.5	2.38	23.9	2.6	26.7	3.09	28.2	3.31
	7	13.2	1.44	16.1	1.77	20.7	2.2	22.5	2.43	23.9	2.65	26.5	3.15	27.8	3.37
	10	13.2	1.67	15.5	2	17.9	2.36	19	2.54	20.2	2.72	22.6	3.11	24.9	3.61
	12	13.2	1.7	15.5	2.04	17.9	2.4	19	2.59	20.2	2.77	22.6	3.16	24.9	3.58
	14	13.2	1.73	15.5	2.08	17.9	2.44	19	2.63	20.2	2.82	22.6	3.22	24.9	3.66
	16	13.2	1.76	15.5	2.11	17.9	2.49	19	2.68	20.2	2.87	22.6	3.29	24.9	3.79
	18	13.2	1.79	15.5	2.15	17.9	2.55	19	2.74	20.2	2.92	22.6	3.36	24.9	4.06
	20	13.2	1.82	15.5	2.19	17.9	2.59	19	2.79	20.2	2.99	22.6	3.48	24.9	4.2
	21	13.2	1.84	15.5	2.21	17.9	2.61	19	2.82	20.2	3.05	22.6	3.61	24.9	4.5
	23	13.2	1.87	15.5	2.26	17.9	2.74	19	3	20.2	3.27	22.6	3.86	24.9	4.81
	25	13.2	1.93	15.5	2.4	17.9	2.93	19	3.21	20.2	3.49	22.6	4.13	24.9	5.14
	27	13.2	2.05	15.5	2.56	17.9	3.12	19	3.42	20.2	3.74	22.6	4.41	24.9	5.32
	29	13.2	2.19	15.5	2.72	17.9	3.32	19	3.65	20.1	3.99	22.6	4.71	24.9	5.51
	31	13.2	2.32	15.5	2.9	17.9	3.54	19	3.88	20.1	4.25	22.6	5.03	24.5	5.71
	33	13.2	2.47	15.5	3.22	17.9	3.77	19	4.14	20.1	4.53	22.6	5.36	24.2	5.92
	35	13.2	2.61	15.5	3.22	17.9	4.01	19	4.41	20.1	4.82	22.6	5.72	23.8	6.13
	37	13.2	2.77	15.5	3.47	17.9	4.26	18.7	4.7	20.1	5.14	22.6	6.1	23.4	6.36
	39	13.2	2.94	15.5	3.69	17.9	4.54	18.5	5	20.1	5.47	22.6	6.49	23	6.6
41	12.6	3.29	14.8	4.06	17.1	5.05	18.2	5.12	19.2	5.59	21.5	6.64	22.7	7.11	
44	11.8	3.58	14.1	4.42	16.3	5.61	17.4	5.78	18.5	6.03	20.8	6.98	21.9	7.48	
47	11.2	4.77	13.6	5.88	15.8	5.89	16.9	5.87	17.8	6.41	20.1	7.5	21.3	8.03	
50	10.3	4.68	12.4	5.77	14.2	6.21	15.2	6.35	16	6.85	18.1	8.01	19.2	8.4	
52	8.1	3.95	9.5	4.87	10.9	5.29	11.7	5.78	12.5	6.17	14.6	7.16	15.8	7.36	

Dc Inverter Multi VRF System Technical Sales Guide

Combination	Outdoor air temp (°C DB)	Indoor air temp													
		14.0°C WB		16.0°C WB		18.0°C WB		19.0°C WB		20.0°C WB		22.0°C WB		24.0°C WB	
		20.0°C DB		23.0°C DB		26.0°C DB		27.0°C DB		28.0°C DB		30.0°C DB		32.0°C DB	
		TC	PI	TC	PI	TC	PI	TC	PI	TC	PI	TC	PI	TC	PI
		kW	kW	kW	kW	kW	kW	kW	kW	kW	kW	kW	kW	kW	
70%	-5	11.7	1.2	14.2	1.48	18.3	1.79	19.8	1.97	21.1	2.14	23.5	2.52	26	2.94
	0	11.7	1.2	14.2	1.48	18.3	1.8	19.8	1.97	21.1	2.15	23.5	2.53	26	2.94
	4	11.7	1.2	14.2	1.49	18.3	1.8	19.8	1.98	21.1	2.16	23.5	2.54	26	2.95
	7	11.7	1.22	14.2	1.52	18.3	1.84	19.8	2.01	21.1	2.2	23.3	2.59	25.6	3.01
	10	11.7	1.48	13.7	1.75	15.8	2.04	16.8	2.19	17.8	2.35	19.9	2.67	21.9	3
	12	11.7	1.49	13.7	1.77	15.8	2.08	16.8	2.24	17.8	2.39	19.9	2.72	21.9	3.06
	14	11.7	1.52	13.7	1.81	15.8	2.11	16.8	2.27	17.8	2.43	19.9	2.77	21.9	3.12
	16	11.7	1.54	13.7	1.84	15.8	2.15	16.8	2.32	17.8	2.48	19.9	2.82	21.9	3.18
	18	11.7	1.57	13.7	1.87	15.8	2.19	16.8	2.36	17.8	2.52	19.9	2.88	21.9	3.24
	20	11.7	1.59	13.7	1.91	15.8	2.24	16.8	2.4	17.8	2.57	19.9	2.94	21.9	3.33
	21	11.7	1.61	13.7	1.92	15.8	2.25	16.8	2.42	17.8	2.6	19.9	2.97	21.9	3.45
	23	11.7	1.63	13.7	1.95	15.8	2.3	16.8	2.51	17.8	2.73	19.9	3.19	21.9	3.7
	25	11.7	1.67	13.7	2.04	15.8	2.45	16.8	2.68	17.8	2.91	19.9	3.41	21.9	3.95
	27	11.7	1.77	13.7	2.17	15.8	2.61	16.8	2.85	17.8	3.11	19.9	3.65	21.9	4.22
	29	11.7	1.87	13.7	2.3	15.8	2.78	16.8	3.04	17.8	3.31	19.9	3.88	21.9	4.51
	31	11.7	1.98	13.7	2.44	15.8	2.96	16.8	3.23	17.8	3.52	19.9	4.14	21.9	4.81
	33	11.7	2.1	13.7	2.6	15.8	3.15	16.8	3.44	17.8	3.75	19.9	4.41	21.9	5.13
	35	11.7	2.23	13.7	2.75	15.8	3.34	16.8	3.66	17.8	3.99	19.9	4.7	21.9	5.47
	37	11.7	2.35	13.7	2.92	15.8	3.55	16.5	3.89	17.8	4.25	19.9	5.01	21.9	5.82
	39	11.7	2.49	13.7	3.09	15.8	3.77	16.3	4.13	17.8	4.51	19.9	5.32	21.9	6.2
41	11.1	2.81	13.1	3.47	15.1	4.21	16	4.25	17	4.63	19	5.45	20.9	6.34	
44	10.4	3.05	12.5	3.77	14.4	4.68	15.4	4.8	16.4	4.99	18.3	5.74	20.3	6.67	
47	9.9	4.06	12.1	5.02	14	4.91	14.9	4.87	15.8	5.31	17.7	6.16	19.6	7.16	
50	9.2	3.99	10.9	4.93	12.6	5.18	13.4	5.27	14.2	5.67	15.9	6.58	17.8	7.49	
52	7.2	3.36	8.4	4.16	9.7	4.41	10.4	4.8	11.1	5.11	12.9	5.88	14.6	6.56	

Combination	Outdoor air temp (°C DB)	Indoor air temp													
		14.0°C WB		16.0°C WB		18.0°C WB		19.0°C WB		20.0°C WB		22.0°C WB		24.0°C WB	
		20.0°C DB		23.0°C DB		26.0°C DB		27.0°C DB		28.0°C DB		30.0°C DB		32.0°C DB	
		TC	PI	TC	PI	TC	PI	TC	PI	TC	PI	TC	PI	TC	PI
	kW	kW	kW	kW	kW	kW	kW	kW	kW	kW	kW	kW	kW	kW	
60%	-5	10.2	1.01	12.3	1.23	15.8	1.47	17.1	1.6	18.3	1.74	20.3	2.03	22.4	2.35
	0	10.2	1.01	12.3	1.23	15.8	1.47	17.1	1.61	18.3	1.74	20.3	2.04	22.4	2.35
	4	10.2	1.01	12.3	1.23	15.8	1.48	17.1	1.61	18.3	1.75	20.3	2.04	22.4	2.36
	7	10.2	1.03	12.3	1.26	15.8	1.51	17.1	1.64	18.3	1.78	20.2	2.08	22.2	2.4
	10	10.2	1.28	11.9	1.5	13.7	1.74	14.6	1.86	15.4	1.99	17.2	2.25	19	2.52
	12	10.2	1.3	11.9	1.53	13.7	1.77	14.6	1.9	15.4	2.02	17.2	2.29	19	2.57
	14	10.2	1.32	11.9	1.55	13.7	1.8	14.6	1.93	15.4	2.06	17.2	2.33	19	2.61
	16	10.2	1.34	11.9	1.58	13.7	1.83	14.6	1.96	15.4	2.09	17.2	2.38	19	2.66
	18	10.2	1.36	11.9	1.6	13.7	1.86	14.6	2	15.4	2.14	17.2	2.42	19	2.71
	20	10.2	1.38	11.9	1.63	13.7	1.9	14.6	2.04	15.4	2.18	17.2	2.47	19	2.77
	21	10.2	1.39	11.9	1.64	13.7	1.91	14.6	2.05	15.4	2.19	17.2	2.49	19	2.8
	23	10.2	1.41	11.9	1.67	13.7	1.95	14.6	2.09	15.4	2.24	17.2	2.59	19	2.98
	25	10.2	1.44	11.9	1.71	13.7	2.02	14.6	2.19	15.4	2.38	17.2	2.76	19	3.18
	27	10.2	1.49	11.9	1.81	13.7	2.15	14.6	2.34	15.4	2.53	17.2	2.94	19	3.39
	29	10.2	1.58	11.9	1.91	13.7	2.29	14.6	2.49	15.4	2.7	17.2	3.14	19	3.62
	31	10.2	1.67	11.9	2.04	13.7	2.43	14.6	2.65	15.4	2.87	17.2	3.34	19	3.85
	33	10.2	1.77	11.9	2.15	13.7	2.58	14.6	2.81	15.4	3.05	17.2	3.55	19	4.11
	35	10.2	1.87	11.9	2.28	13.7	2.74	14.6	2.99	15.4	3.24	17.2	3.79	19	4.37
	37	10.2	1.98	11.9	2.42	13.7	2.9	14.3	3.17	15.4	3.44	17.2	4.03	19	4.65
	39	10.2	2.09	11.9	2.56	13.7	3.08	14.1	3.36	15.4	3.65	17.2	4.27	19	4.95
41	9.7	2.36	11.4	2.88	13.1	3.45	13.9	3.46	14.7	3.76	16.4	4.39	18.1	5.07	
44	9.1	2.57	10.8	3.13	12.5	3.83	13.4	3.91	14.2	4.05	15.8	4.62	17.5	5.33	
47	8.6	3.41	10.5	4.16	12.1	4.03	12.9	3.97	13.7	4.31	15.3	4.96	17	5.73	
50	8	3.35	9.5	4.09	10.9	4.24	11.6	4.3	12.3	4.6	13.8	5.3	15.4	5.99	
52	6.3	2.83	7.4	3.45	8.5	3.61	9	3.91	9.7	4.15	11.2	4.73	12.7	5.25	

Dc Inverter Multi VRF System Technical Sales Guide

Combination	Outdoor air temp (°C DB)	Indoor air temp													
		14.0°C WB		16.0°C WB		18.0°C WB		19.0°C WB		20.0°C WB		22.0°C WB		24.0°C WB	
		20.0°C DB		23.0°C DB		26.0°C DB		27.0°C DB		28.0°C DB		30.0°C DB		32.0°C DB	
		TC	PI	TC	PI	TC	PI	TC	PI	TC	PI	TC	PI	TC	PI
	kW	kW	kW	kW	kW	kW	kW	kW	kW	kW	kW	kW	kW	kW	
50%	-5	8.7	0.83	10.5	1	13.4	1.18	14.5	1.28	15.4	1.38	17.1	1.59	18.9	1.82
	0	8.7	0.83	10.5	1	13.4	1.18	14.5	1.28	15.4	1.38	17.1	1.6	18.9	1.83
	4	8.7	0.84	10.5	1	13.4	1.18	14.5	1.28	15.4	1.39	17.1	1.6	18.9	1.84
	7	8.7	0.85	10.5	1.02	13.4	1.21	14.5	1.31	15.4	1.41	17	1.63	18.7	1.87
	10	8.7	1.11	10.1	1.28	11.6	1.46	12.3	1.56	13	1.65	14.5	1.86	16	2.07
	12	8.7	1.11	10.1	1.29	11.6	1.48	12.3	1.58	13	1.68	14.5	1.89	16	2.1
	14	8.7	1.13	10.1	1.31	11.6	1.5	12.3	1.61	13	1.71	14.5	1.92	16	2.14
	16	8.7	1.15	10.1	1.33	11.6	1.53	12.3	1.63	13	1.73	14.5	1.95	16	2.18
	18	8.7	1.16	10.1	1.35	11.6	1.55	12.3	1.66	13	1.77	14.5	1.99	16	2.22
	20	8.7	1.18	10.1	1.37	11.6	1.58	12.3	1.69	13	1.8	14.5	2.03	16	2.26
	21	8.7	1.19	10.1	1.39	11.6	1.59	12.3	1.7	13	1.81	14.5	2.05	16	2.28
	23	8.7	1.2	10.1	1.4	11.6	1.62	12.3	1.73	13	1.85	14.5	2.08	16	2.33
	25	8.7	1.22	10.1	1.43	11.6	1.65	12.3	1.77	13	1.91	14.5	2.19	16	2.49
	27	8.7	1.25	10.1	1.48	11.6	1.74	12.3	1.88	13	2.02	14.5	2.33	16	2.66
	29	8.7	1.31	10.1	1.57	11.6	1.85	12.3	2	13	2.15	14.5	2.47	16	2.83
	31	8.7	1.39	10.1	1.66	11.6	1.97	12.3	2.12	13	2.28	14.5	2.63	16	3.01
	33	8.7	1.47	10.1	1.76	11.6	2.08	12.3	2.24	13	2.42	14.5	2.8	16	3.2
	35	8.7	1.55	10.1	1.86	11.6	2.19	12.3	2.38	13	2.57	14.5	2.97	16	3.4
	37	8.7	1.63	10.1	1.96	11.6	2.33	12.1	2.52	13	2.72	14.5	3.15	16	3.61
	39	8.7	1.72	10.1	2.07	11.6	2.46	12	2.66	13	2.89	14.5	3.34	16	3.84
41	8.3	1.95	9.7	2.34	11.1	2.76	11.8	2.76	12.4	2.98	13.9	3.44	15.3	3.94	
44	7.8	2.12	9.2	2.54	10.6	3.07	11.3	3.11	12	3.21	13.4	3.62	14.8	4.15	
47	7.4	2.83	8.9	3.38	10.3	3.23	11	3.16	11.6	3.41	13	3.89	14.4	4.45	
50	6.9	2.78	8.1	3.32	9.3	3.4	9.9	3.42	10.4	3.64	11.7	4.16	13	4.66	
52	5.5	2.34	6.3	2.8	7.3	2.9	7.7	3.11	8.2	3.28	9.6	3.71	10.8	4.08	

GMV-280WL/C-X

TC—Total capacity of outdoor unit; PI—Power input of outdoor unit

Combination	Outdoor air temp(°C DB)	Indoor air temp													
		14.0°C WB		16.0°C WB		18.0°C WB		19.0°C WB		20.0°C WB		22.0°C WB		24.0°C WB	
		20.0°C DB		23.0°C DB		26.0°C DB		27.0°C DB		28.0°C DB		30.0°C DB		32.0°C DB	
		TC	PI	TC	PI	TC	PI	TC	PI	TC	PI	TC	PI	TC	PI
		kW	kW	kW	kW	kW	kW	kW	kW	kW	kW	kW	kW	kW	
135%	-5	24.6	3.44	29.3	4.19	34	4.24	35.3	4.26	36	4.28	36.9	4.34	38	4.38
	0	24.6	3.45	29.3	4.2	34	4.25	35.3	4.27	36	4.29	36.9	4.34	38	4.39
	4	24.6	3.46	29.3	4.21	34	4.26	35.3	4.29	36	4.31	36.9	4.36	38	4.41
	7	24.6	3.52	29.3	4.29	34	4.34	35.3	4.37	36	4.39	36.6	4.44	37.5	4.49
	10	24.6	3.59	29.3	4.38	34	5.21	35.3	5.33	35.7	5.22	36.6	5	37.5	4.77
	12	24.6	3.65	29.3	4.47	34	5.32	34.8	5.3	35.3	5.19	36.1	4.96	37	4.89
	14	24.6	3.72	29.3	4.55	33.9	5.38	34.4	5.27	34.8	5.16	35.7	5.12	36.6	5.17
	16	24.6	3.79	29.3	4.64	33.5	5.36	33.9	5.32	34.3	5.34	35.2	5.39	36.1	5.44
	18	24.6	3.86	29.3	4.74	33	5.56	33.4	5.59	33.9	5.62	34.8	5.67	35.7	5.72
	20	24.6	3.94	29.3	5.04	32.5	5.83	33	5.86	33.4	5.89	34.3	5.95	35.2	6.01
	21	24.6	4.05	29.3	5.22	32.3	5.97	32.8	6	33.2	6.03	34.1	6.09	35	6.14
	23	24.6	4.34	29.3	5.6	31.9	6.24	32.3	6.27	32.7	6.3	33.6	6.36	34.5	6.43
	25	24.6	4.63	29.3	6	31.4	6.51	31.9	6.54	32.3	6.58	33.2	6.65	34.1	6.71
	27	24.6	4.95	29.3	6.42	31	5.74	31.4	6.83	31.8	6.86	32.7	6.93	33.6	7
	29	24.6	5.28	29.3	6.86	30.5	7.06	30.9	7.1	31.4	7.14	32.3	7.21	33.2	7.29
	31	24.6	5.64	29.2	7.26	30	7.34	30.5	7.38	30.9	7.41	31.8	7.5	32.7	7.58
	33	24.6	6.01	28.7	7.53	29.6	7.6	30	7.65	30.5	7.7	31.4	7.78	32.2	7.87
	35	24.6	6.41	28.2	7.8	29.1	7.9	29.6	7.94	30	7.98	30.9	8.07	31.8	8.16
	37	24.6	6.82	27.8	8.08	28.7	8.18	29.1	8.22	29.6	8.27	30.4	8.37	31.3	8.46
	39	24.6	7.26	27.3	8.36	28.2	8.45	28.7	8.5	29.1	8.56	30	8.65	30.9	8.76
41	23.2	8.07	26.8	9.83	27.7	9.95	28.1	9.21	28.5	9.26	29.4	9.37	30.3	9.46	
44	21.6	8.78	25.4	10.69	26.3	11.05	26.9	10.4	27.4	9.97	28.3	9.85	29.3	9.95	
47	20.4	11.68	24.5	14.22	25.5	11.61	26	10.56	26.4	10.61	27.3	10.58	28.3	10.69	
50	18.7	11.47	22	13.96	22.7	12.24	23.2	11.43	23.6	11.33	24.4	11.3	25.4	11.18	
52	14.2	9.67	16.4	11.78	17	10.42	17.5	10.4	18	10.21	19.5	10.09	20.7	9.79	

Dc Inverter Multi VRF System Technical Sales Guide

Combination	Outdoor air temp (°C DB)	Indoor air temp													
		14.0°C WB		16.0°C WB		18.0°C WB		19.0°C WB		20.0°C WB		22.0°C WB		24.0°C WB	
		20.0°C DB		23.0°C DB		26.0°C DB		27.0°C DB		28.0°C DB		30.0°C DB		32.0°C DB	
		TC	PI	TC	PI	TC	PI	TC	PI	TC	PI	TC	PI	TC	PI
		kW	kW	kW	kW	kW	kW	kW	kW	kW	kW	kW	kW	kW	
120%	-5	22.7	3.06	28.1	3.96	33.4	4.21	34.6	4.23	35.4	4.26	36.2	4.3	37.2	4.35
	0	22.7	3.07	28.1	3.97	33.4	4.22	34.6	4.24	35.4	4.26	36.2	4.31	37.2	4.35
	4	22.7	3.08	28.1	3.99	33.4	4.24	34.6	4.26	35.4	4.28	36.2	4.33	37.2	4.37
	7	22.7	3.14	28.1	4.06	33.4	4.31	34.6	4.34	35.4	4.36	35.9	4.41	36.7	4.45
	10	22.7	3.27	27	3.99	31.4	4.75	33.6	5.14	35.2	5.36	36	5.15	36.8	4.95
	12	22.7	3.33	27	4.07	31.4	4.84	33.6	5.23	34.7	5.33	35.5	5.13	36.3	4.92
	14	22.7	3.4	27	4.15	31.4	4.94	33.6	5.34	34.2	5.3	35.1	5.1	35.9	5.13
	16	22.7	3.46	27	4.24	31.4	5.03	33.4	5.38	33.8	5.31	34.6	5.36	35.4	5.4
	18	22.7	3.52	27	4.32	31.4	5.21	32.9	5.56	33.3	5.58	34.1	5.63	35	5.68
	20	22.7	3.6	27	4.49	31.4	5.6	32.5	5.83	32.9	5.85	33.7	5.9	34.5	5.96
	21	22.7	3.63	27	4.64	31.4	5.8	32.2	5.97	32.6	5.99	33.5	6.04	34.3	6.1
	23	22.7	3.88	27	4.98	31.4	6.21	31.8	6.23	32.2	6.26	33	6.32	33.8	6.37
	25	22.7	4.14	27	5.33	30.9	6.48	31.3	6.5	31.7	6.53	32.6	6.6	33.4	6.66
	27	22.7	4.42	27	5.69	30.5	6.74	30.9	6.78	31.3	6.82	32.1	6.88	32.9	6.94
	29	22.7	4.72	27	6.08	30	7.01	30.4	7.06	30.8	7.09	31.6	7.16	32.5	7.22
	31	22.7	5.03	27	6.49	29.6	7.3	30	7.33	30.4	7.37	31.2	7.44	32	7.52
	33	22.7	5.36	27	6.93	29.1	7.57	29.5	7.61	29.9	7.64	30.7	7.73	31.5	7.8
	35	22.7	5.7	27	7.38	28.6	7.84	29	7.88	29.5	7.93	30.3	8.01	31.1	8.09
	37	22.7	6.07	27	7.86	28.2	8.13	28.6	8.17	29	8.21	29.8	8.29	30.6	8.39
	39	22.7	6.46	26.9	8.3	27.7	8.4	28.1	8.45	28.5	8.49	29.4	8.59	30.2	8.67
41	21.5	7.19	25.7	9.3	27.2	9.88	27.6	9.15	28.1	9.2	28.8	9.29	29.6	9.39	
44	20	7.81	24.3	10.11	25.9	10.98	26.4	10.33	26.9	9.91	27.8	9.77	28.6	9.88	
47	18.8	10.4	23.5	13.46	25	11.53	25.5	10.49	26	10.54	26.8	10.49	27.7	10.6	
50	17.3	10.21	21.1	13.21	22.3	12.16	22.7	11.35	23.2	11.26	23.9	11.21	24.9	11.09	
52	13.1	8.61	15.7	11.15	16.7	10.35	17.1	10.33	17.7	10.15	19.1	10.01	20.2	9.71	

Combination	Outdoor air temp (°C DB)	Indoor air temp													
		14.0°C WB		16.0°C WB		18.0°C WB		19.0°C WB		20.0°C WB		22.0°C WB		24.0°C WB	
		20.0°C DB		23.0°C DB		26.0°C DB		27.0°C DB		28.0°C DB		30.0°C DB		32.0°C DB	
		TC	PI	TC	PI	TC	PI	TC	PI	TC	PI	TC	PI	TC	PI
		kW	kW	kW	kW	kW	kW	kW	kW	kW	kW	kW	kW	kW	
110%	-5	20.8	2.71	25.8	3.49	32.9	4.18	34	4.21	34.7	4.23	35.3	4.27	36.3	4.31
	0	20.8	2.71	25.8	3.49	32.9	4.19	34	4.21	34.7	4.24	35.3	4.28	36.3	4.32
	4	20.8	2.72	25.8	3.5	32.9	4.21	34	4.23	34.7	4.25	35.3	4.29	36.3	4.33
	7	20.8	2.77	25.8	3.57	32.9	4.28	34	4.31	34.7	4.33	35.1	4.37	35.8	4.41
	10	20.8	2.97	24.8	3.62	28.8	4.3	30.8	4.64	32.8	5	35.3	5.31	36.1	5.13
	12	20.8	3.03	24.8	3.69	28.8	4.38	30.8	4.74	32.8	5.1	34.9	5.28	35.6	5.1
	14	20.8	3.08	24.8	3.75	28.8	4.47	30.8	4.82	32.8	5.19	34.4	5.28	35.2	5.09
	16	20.8	3.14	24.8	3.83	28.8	4.55	30.8	4.92	32.8	5.3	34	5.32	34.7	5.37
	18	20.8	3.2	24.8	3.9	28.8	4.64	30.8	5.05	32.8	5.55	33.5	5.59	34.3	5.64
	20	20.8	3.26	24.8	3.98	28.8	4.92	30.8	5.43	32.3	5.82	33.1	5.86	33.8	5.91
	21	20.8	3.29	24.8	4.1	28.8	5.1	30.8	5.63	32.1	5.96	32.8	6	33.6	6.05
	23	20.8	3.45	24.8	4.39	28.8	5.46	30.8	6.04	31.6	6.22	32.4	6.28	33.1	6.33
	25	20.8	3.67	24.8	4.7	28.8	5.84	30.8	6.47	31.2	6.49	31.9	6.55	32.7	6.61
	27	20.8	3.92	24.8	5.02	28.8	6.25	30.3	6.74	30.7	6.76	31.5	6.83	32.2	6.89
	29	20.8	4.18	24.8	5.36	28.8	6.68	29.9	7.01	30.3	7.05	31	7.11	31.8	7.17
	31	20.8	4.46	24.8	5.71	28.8	7.13	29.4	7.29	29.8	7.32	30.6	7.38	31.3	7.45
	33	20.8	4.74	24.8	6.09	28.6	7.52	29	7.56	29.4	7.59	30.1	7.66	30.9	7.74
	35	20.8	5.04	24.8	6.49	28.2	7.79	28.5	7.83	28.9	7.87	29.6	7.95	30.4	8.02
	37	20.8	5.37	24.8	6.91	27.7	8.07	28.1	8.11	28.4	8.15	29.2	8.23	29.9	8.3
	39	20.8	5.7	24.8	7.36	27.2	8.35	27.6	8.39	28	8.43	28.7	8.51	29.5	8.6
41	19.7	6.35	23.6	8.18	26.8	9.82	27.1	9.09	27.5	9.13	28.2	9.22	29	9.3	
44	18.3	6.91	22.3	8.89	25.5	10.91	25.9	10.26	26.4	9.84	27.1	9.7	28	9.79	
47	17.3	9.19	21.6	11.83	24.7	11.45	25	10.42	25.4	10.47	26.2	10.41	27.1	10.51	
50	15.8	9.03	19.3	11.62	22	12.08	22.3	11.28	22.7	11.18	23.4	11.13	24.3	10.99	
52	12	7.62	14.4	9.8	16.5	10.28	16.8	10.26	17.3	10.08	18.6	9.93	19.8	9.63	

Dc Inverter Multi VRF System Technical Sales Guide

Combination	Outdoor air temp (°C DB)	Indoor air temp													
		14.0°C WB		16.0°C WB		18.0°C WB		19.0°C WB		20.0°C WB		22.0°C WB		24.0°C WB	
		20.0°C DB		23.0°C DB		26.0°C DB		27.0°C DB		28.0°C DB		30.0°C DB		32.0°C DB	
		TC	PI	TC	PI	TC	PI	TC	PI	TC	PI	TC	PI	TC	PI
		kW	kW	kW	kW	kW	kW	kW	kW	kW	kW	kW	kW	kW	
100%	-5	18.9	2.37	23.4	3.03	30.6	3.78	33.4	4.18	34	4.2	34.6	4.24	35.5	4.27
	0	18.9	2.37	23.4	3.04	30.6	3.79	33.4	4.19	34	4.21	34.6	4.24	35.5	4.28
	4	18.9	2.38	23.4	3.05	30.6	3.8	33.4	4.2	34	4.22	34.6	4.26	35.5	4.3
	7	18.9	2.43	23.4	3.11	30.6	3.87	33.4	4.28	34	4.3	34.3	4.34	35	4.38
	10	18.9	2.68	22.5	3.26	26.2	3.86	28	4.16	29.8	4.5	33.5	5.09	35.4	5.29
	12	18.9	2.72	22.5	3.3	26.2	3.91	28	4.22	29.8	4.58	33.5	5.18	34.9	5.25
	14	18.9	2.77	22.5	3.36	26.2	3.98	28	4.3	29.8	4.67	33.5	5.27	34.5	5.21
	16	18.9	2.83	22.5	3.44	26.2	4.06	28	4.39	29.8	4.77	33.4	5.39	34	5.32
	18	18.9	2.89	22.5	3.51	26.2	4.14	28	4.48	29.8	4.87	32.9	5.49	33.6	5.57
	20	18.9	2.94	22.5	3.57	26.2	4.28	28	4.71	29.8	5.18	32.4	5.78	33.1	5.87
	21	18.9	2.97	22.5	3.6	26.2	4.43	28	4.88	29.8	5.35	32.2	5.98	32.9	6.03
	23	18.9	3.04	22.5	3.85	26.2	4.76	28	5.24	29.8	5.76	31.8	6.32	32.4	6.38
	25	18.9	3.24	22.5	4.1	26.2	5.06	28	5.58	29.8	6.16	31.3	6.55	32	6.61
	27	18.9	3.46	22.5	4.38	26.2	5.43	28	5.98	29.8	6.61	30.8	6.78	31.5	6.85
	29	18.9	3.66	22.5	4.68	26.2	5.81	28	6.4	29.7	7	30.4	7.11	31.1	7.18
	31	18.9	3.9	22.5	4.98	26.2	6.19	28	6.9	29.3	7.28	29.7	7.4	30.6	7.47
	33	18.9	4.15	22.5	5.3	26.2	6.6	28	7.3	28.8	7.55	29.5	7.61	30.2	7.68
	35	18.9	4.41	22.5	5.65	26.2	7.04	28	7.78	28.3	7.82	29	7.89	29.7	7.96
	37	18.9	4.7	22.5	6.01	26.2	7.5	27.5	8.06	27.9	8.1	28.6	8.16	29.3	8.23
	39	18.9	5	22.5	6.4	26.2	7.99	27.1	8.33	27.3	8.37	28.2	8.43	28.6	8.5
41	17.9	5.56	21.4	7.11	24.9	8.87	26.6	9.02	26.9	9.07	27.6	9.15	28.3	9.23	
44	16.6	6.04	20.2	7.74	23.7	9.86	25.5	10.19	25.8	9.77	26.5	9.62	27.3	9.71	
47	15.7	8.04	19.6	10.29	22.9	10.35	24.6	10.35	24.9	10.4	25.6	10.33	26.4	10.43	
50	14.4	7.89	17.5	10.11	20.5	10.91	21.9	11.2	22.2	11.1	22.9	11.04	23.7	10.91	
52	10.9	6.66	13	8.53	15.3	9.29	16.5	10.19	17	10.01	18.3	9.86	19.3	9.55	

Combination	Outdoor air temp (°C DB)	Indoor air temp													
		14.0°C WB		16.0°C WB		18.0°C WB		19.0°C WB		20.0°C WB		22.0°C WB		24.0°C WB	
		20.0°C DB		23.0°C DB		26.0°C DB		27.0°C DB		28.0°C DB		30.0°C DB		32.0°C DB	
		TC	PI	TC	PI	TC	PI	TC	PI	TC	PI	TC	PI	TC	PI
		kW	kW	kW	kW	kW	kW	kW	kW	kW	kW	kW	kW	kW	
90%	-5	18.4	2.07	22.4	2.62	28.9	3.23	31.5	3.57	33.6	3.92	35.3	4.2	36.1	4.24
	0	18.4	2.07	22.4	2.62	28.9	3.23	31.5	3.57	33.6	3.93	35.3	4.21	36.1	4.25
	4	18.4	2.08	22.4	2.63	28.9	3.25	31.5	3.59	33.6	3.95	35.3	4.22	36.1	4.26
	7	18.4	2.12	22.4	2.68	28.9	3.31	31.5	3.65	33.6	4.02	35	4.3	35.6	4.34
	10	18.4	2.34	21.6	2.81	25	3.29	26.6	3.71	28.2	3.95	31.5	4.53	34.8	5.13
	12	18.4	2.37	21.6	2.85	25	3.34	26.6	3.76	28.2	4.03	31.5	4.6	34.8	5.2
	14	18.4	2.41	21.6	2.9	25	3.4	26.6	3.82	28.2	4.1	31.5	4.68	34.8	5.28
	16	18.4	2.47	21.6	2.96	25	3.47	26.6	3.9	28.2	4.19	31.5	4.79	34.7	5.38
	18	18.4	2.52	21.6	3.03	25	3.54	26.6	3.98	28.2	4.27	31.5	4.9	34.4	5.58
	20	18.4	2.56	21.6	3.08	25	3.66	26.6	4.06	28.2	4.45	31.5	5.27	33.8	5.81
	21	18.4	2.59	21.6	3.11	25	3.78	26.6	4.2	28.2	4.6	31.5	5.45	33.6	5.94
	23	18.4	2.65	21.6	3.32	25	4.06	26.6	4.51	28.2	4.93	31.5	5.85	33.1	6.25
	25	18.4	2.82	21.6	3.53	25	4.32	26.6	4.81	28.2	5.27	31.5	6.26	32.7	6.5
	27	18.4	3.02	21.6	3.77	25	4.64	26.6	5.14	28.2	5.64	31.5	6.68	32.2	6.79
	29	18.4	3.2	21.6	4.03	25	4.96	26.6	5.49	28.2	6.02	31.2	7	31.8	7.06
	31	18.4	3.4	21.6	4.29	25	5.29	26.6	5.86	28.2	6.42	30.7	7.25	31.3	7.35
	33	18.4	3.62	21.6	4.57	25	5.64	26.6	6.23	28.2	6.83	30.3	7.55	30.9	7.61
	35	18.4	3.85	21.6	4.87	25	6.01	26.6	6.64	28.2	7.31	29.8	7.82	30.4	7.89
	37	18.4	4.1	21.6	5.19	25	6.4	26.1	6.88	28.2	7.82	29.3	8.1	30	8.08
	39	18.4	4.36	21.6	5.52	25	6.82	25.8	7.11	28.2	8.29	28.9	8.4	29.5	8.38
41	17.5	4.85	20.6	6.14	23.8	7.58	25.4	7.71	26.9	8.48	28.4	9.07	29	9.15	
44	16.4	5.27	19.6	6.67	22.7	8.42	24.3	8.7	25.9	9.14	27.4	9.54	28.1	9.63	
47	15.5	7.01	19	8.88	22	8.84	23.5	8.84	25	9.72	26.5	10.24	27.2	10.34	
50	14.3	6.89	17.2	8.72	19.8	9.32	21.1	9.57	22.5	10.38	23.8	10.95	24.6	10.81	
52	11.2	5.81	13.1	7.35	15.2	7.94	16.3	8.7	17.5	9.35	19.3	9.78	20.3	9.47	

Dc Inverter Multi VRF System Technical Sales Guide

Combination	Outdoor air temp (°C DB)	Indoor air temp													
		14.0°C WB		16.0°C WB		18.0°C WB		19.0°C WB		20.0°C WB		22.0°C WB		24.0°C WB	
		20.0°C DB		23.0°C DB		26.0°C DB		27.0°C DB		28.0°C DB		30.0°C DB		32.0°C DB	
		TC	PI	TC	PI	TC	PI	TC	PI	TC	PI	TC	PI	TC	PI
		kW	kW	kW	kW	kW	kW	kW	kW	kW	kW	kW	kW	kW	
80%	-5	16.5	1.78	20.1	2.2	25.9	2.74	28.1	3.01	29.9	3.29	33.4	3.91	35.2	4.19
	0	16.5	1.79	20.1	2.21	25.9	2.74	28.1	3.02	29.9	3.3	33.4	3.92	35.2	4.19
	4	16.5	1.79	20.1	2.21	25.9	2.75	28.1	3.03	29.9	3.31	33.4	3.93	35.2	4.21
	7	16.5	1.83	20.1	2.25	25.9	2.8	28.1	3.09	29.9	3.37	33.1	4	34.8	4.29
	10	16.5	2.13	19.4	2.55	22.4	3	23.8	3.23	25.2	3.46	28.2	3.95	31.1	4.59
	12	16.5	2.16	19.4	2.59	22.4	3.05	23.8	3.29	25.2	3.52	28.2	4.02	31.1	4.55
	14	16.5	2.2	19.4	2.64	22.4	3.1	23.8	3.34	25.2	3.59	28.2	4.09	31.1	4.65
	16	16.5	2.23	19.4	2.68	22.4	3.17	23.8	3.41	25.2	3.64	28.2	4.18	31.1	4.82
	18	16.5	2.28	19.4	2.74	22.4	3.24	23.8	3.48	25.2	3.71	28.2	4.27	31.1	5.16
	20	16.5	2.32	19.4	2.79	22.4	3.29	23.8	3.54	25.2	3.8	28.2	4.43	31.1	5.34
	21	16.5	2.34	19.4	2.81	22.4	3.32	23.8	3.59	25.2	3.88	28.2	4.59	31.1	5.72
	23	16.5	2.38	19.4	2.87	22.4	3.48	23.8	3.82	25.2	4.15	28.2	4.91	31.1	6.12
	25	16.5	2.45	19.4	3.05	22.4	3.72	23.8	4.08	25.2	4.43	28.2	5.26	31.1	6.53
	27	16.5	2.61	19.4	3.25	22.4	3.96	23.8	4.35	25.2	4.76	28.2	5.61	31.1	6.76
	29	16.5	2.78	19.4	3.46	22.4	4.23	23.8	4.63	25.2	5.07	28.2	5.99	31.1	7.01
	31	16.5	2.95	19.4	3.68	22.4	4.5	23.8	4.94	25.2	5.41	28.2	6.39	30.6	7.26
	33	16.5	3.14	19.4	4.1	22.4	4.79	23.8	5.26	25.2	5.76	28.2	6.82	30.2	7.52
	35	16.5	3.32	19.4	4.1	22.4	5.1	23.8	5.61	25.2	6.13	28.2	7.28	29.7	7.8
	37	16.5	3.52	19.4	4.41	22.4	5.42	23.4	5.97	25.2	6.53	28.2	7.75	29.3	8.09
	39	16.5	3.73	19.4	4.69	22.4	5.77	23.1	6.36	25.2	6.95	28.2	8.25	28.8	8.38
41	15.7	4.19	18.5	5.17	21.3	6.42	22.7	6.51	24	7.11	26.9	8.44	28.4	9.04	
44	14.7	4.55	17.6	5.62	20.4	7.13	21.8	7.35	23.1	7.66	25.9	8.88	27.4	9.51	
47	13.9	6.06	17.1	7.47	19.7	7.49	21.1	7.46	22.3	8.15	25.1	9.53	26.6	10.21	
50	12.9	5.95	15.4	7.34	17.8	7.9	18.9	8.08	20.1	8.71	22.6	10.19	24	10.68	
52	10.1	5.02	11.8	6.19	13.7	6.73	14.6	7.35	15.7	7.85	18.3	9.1	19.8	9.36	

Combination	Outdoor air temp (°C DB)	Indoor air temp													
		14.0°C WB		16.0°C WB		18.0°C WB		19.0°C WB		20.0°C WB		22.0°C WB		24.0°C WB	
		20.0°C DB		23.0°C DB		26.0°C DB		27.0°C DB		28.0°C DB		30.0°C DB		32.0°C DB	
		TC	PI	TC	PI	TC	PI	TC	PI	TC	PI	TC	PI	TC	PI
		kW	kW	kW	kW	kW	kW	kW	kW	kW	kW	kW	kW	kW	
70%	-5	14.6	1.52	17.8	1.88	22.8	2.28	24.8	2.5	26.4	2.73	29.4	3.21	32.5	3.73
	0	14.6	1.52	17.8	1.88	22.8	2.28	24.8	2.5	26.4	2.73	29.4	3.22	32.5	3.74
	4	14.6	1.53	17.8	1.89	22.8	2.29	24.8	2.51	26.4	2.74	29.4	3.23	32.5	3.75
	7	14.6	1.56	17.8	1.93	22.8	2.34	24.8	2.56	26.4	2.79	29.2	3.29	32.1	3.82
	10	14.6	1.88	17.1	2.22	19.7	2.59	21	2.79	22.3	2.99	24.8	3.4	27.4	3.82
	12	14.6	1.9	17.1	2.25	19.7	2.64	21	2.84	22.3	3.04	24.8	3.46	27.4	3.89
	14	14.6	1.93	17.1	2.3	19.7	2.68	21	2.88	22.3	3.09	24.8	3.52	27.4	3.96
	16	14.6	1.96	17.1	2.34	19.7	2.74	21	2.95	22.3	3.16	24.8	3.59	27.4	4.04
	18	14.6	1.99	17.1	2.38	19.7	2.79	21	3	22.3	3.21	24.8	3.66	27.4	4.12
	20	14.6	2.02	17.1	2.42	19.7	2.84	21	3.05	22.3	3.27	24.8	3.73	27.4	4.24
	21	14.6	2.04	17.1	2.44	19.7	2.86	21	3.08	22.3	3.3	24.8	3.77	27.4	4.38
	23	14.6	2.08	17.1	2.48	19.7	2.93	21	3.19	22.3	3.47	24.8	4.06	27.4	4.7
	25	14.6	2.12	17.1	2.59	19.7	3.11	21	3.41	22.3	3.7	24.8	4.34	27.4	5.02
	27	14.6	2.24	17.1	2.76	19.7	3.32	21	3.63	22.3	3.95	24.8	4.63	27.4	5.37
	29	14.6	2.38	17.1	2.93	19.7	3.53	21	3.87	22.3	4.2	24.8	4.94	27.4	5.74
	31	14.6	2.52	17.1	3.1	19.7	3.76	21	4.11	22.3	4.48	24.8	5.26	27.4	6.11
	33	14.6	2.67	17.1	3.3	19.7	4.01	21	4.37	22.3	4.77	24.8	5.61	27.4	6.52
	35	14.6	2.83	17.1	3.5	19.7	4.25	21	4.66	22.3	5.07	24.8	5.98	27.4	6.95
	37	14.6	2.99	17.1	3.71	19.7	4.52	20.6	4.95	22.3	5.4	24.8	6.36	27.4	7.4
	39	14.6	3.17	17.1	3.93	19.7	4.79	20.4	5.25	22.3	5.74	24.8	6.76	27.4	7.88
41	13.9	3.57	16.4	4.41	18.8	5.35	20	5.4	21.2	5.89	23.7	6.93	26.2	8.06	
44	13	3.88	15.6	4.8	18	5.95	19.2	6.1	20.4	6.34	22.9	7.29	25.3	8.48	
47	12.4	5.16	15.1	6.38	17.4	6.24	18.6	6.19	19.8	6.75	22.1	7.83	24.5	9.11	
50	11.5	5.07	13.7	6.27	15.7	6.58	16.7	6.7	17.8	7.21	19.9	8.37	22.2	9.52	
52	9	4.27	10.5	5.29	12.1	5.61	13	6.1	13.9	6.5	16.2	7.47	18.3	8.34	

Dc Inverter Multi VRF System Technical Sales Guide

Combination	Outdoor air temp (°C DB)	Indoor air temp													
		14.0°C WB		16.0°C WB		18.0°C WB		19.0°C WB		20.0°C WB		22.0°C WB		24.0°C WB	
		20.0°C DB		23.0°C DB		26.0°C DB		27.0°C DB		28.0°C DB		30.0°C DB		32.0°C DB	
		TC	PI	TC	PI	TC	PI	TC	PI	TC	PI	TC	PI	TC	PI
		kW	kW	kW	kW	kW	kW	kW	kW	kW	kW	kW	kW	kW	
60%	-5	12.7	1.28	15.4	1.56	19.8	1.87	21.4	2.04	22.9	2.21	25.4	2.58	28	2.98
	0	12.7	1.28	15.4	1.56	19.8	1.87	21.4	2.04	22.9	2.22	25.4	2.59	28	2.99
	4	12.7	1.29	15.4	1.57	19.8	1.88	21.4	2.05	22.9	2.23	25.4	2.6	28	3
	7	12.7	1.31	15.4	1.6	19.8	1.91	21.4	2.09	22.9	2.27	25.2	2.65	27.7	3.06
	10	12.7	1.63	14.9	1.91	17.1	2.21	18.2	2.37	19.3	2.53	21.5	2.86	23.7	3.21
	12	12.7	1.66	14.9	1.94	17.1	2.25	18.2	2.41	19.3	2.57	21.5	2.91	23.7	3.26
	14	12.7	1.68	14.9	1.97	17.1	2.29	18.2	2.45	19.3	2.62	21.5	2.97	23.7	3.32
	16	12.7	1.7	14.9	2	17.1	2.33	18.2	2.5	19.3	2.66	21.5	3.02	23.7	3.39
	18	12.7	1.73	14.9	2.03	17.1	2.37	18.2	2.54	19.3	2.72	21.5	3.07	23.7	3.45
	20	12.7	1.75	14.9	2.08	17.1	2.41	18.2	2.59	19.3	2.77	21.5	3.14	23.7	3.52
	21	12.7	1.77	14.9	2.09	17.1	2.43	18.2	2.61	19.3	2.79	21.5	3.17	23.7	3.55
	23	12.7	1.79	14.9	2.13	17.1	2.47	18.2	2.66	19.3	2.84	21.5	3.29	23.7	3.79
	25	12.7	1.82	14.9	2.17	17.1	2.57	18.2	2.79	19.3	3.02	21.5	3.51	23.7	4.04
	27	12.7	1.9	14.9	2.3	17.1	2.74	18.2	2.98	19.3	3.22	21.5	3.74	23.7	4.31
	29	12.7	2	14.9	2.43	17.1	2.91	18.2	3.17	19.3	3.43	21.5	3.99	23.7	4.6
	31	12.7	2.13	14.9	2.59	17.1	3.09	18.2	3.37	19.3	3.65	21.5	4.25	23.7	4.9
	33	12.7	2.24	14.9	2.74	17.1	3.28	18.2	3.58	19.3	3.88	21.5	4.52	23.7	5.22
	35	12.7	2.38	14.9	2.9	17.1	3.48	18.2	3.8	19.3	4.12	21.5	4.81	23.7	5.56
	37	12.7	2.52	14.9	3.07	17.1	3.69	17.9	4.03	19.3	4.37	21.5	5.12	23.7	5.91
	39	12.7	2.65	14.9	3.25	17.1	3.91	17.7	4.27	19.3	4.64	21.5	5.43	23.7	6.29
41	12.1	3	14.2	3.66	16.3	4.39	17.4	4.4	18.4	4.78	20.5	5.58	22.7	6.45	
44	11.4	3.26	13.5	3.98	15.6	4.87	16.7	4.97	17.7	5.15	19.8	5.87	21.9	6.78	
47	10.8	4.34	13.1	5.29	15.2	5.12	16.2	5.05	17.1	5.48	19.2	6.3	21.2	7.28	
50	10	4.26	11.9	5.2	13.7	5.4	14.6	5.47	15.4	5.85	17.3	6.74	19.2	7.61	
52	7.9	3.59	9.2	4.39	10.6	4.6	11.3	4.97	12.1	5.27	14.1	6.02	15.9	6.67	

Combination	Outdoor air temp (°C DB)	Indoor air temp													
		14.0°C WB		16.0°C WB		18.0°C WB		19.0°C WB		20.0°C WB		22.0°C WB		24.0°C WB	
		20.0°C DB		23.0°C DB		26.0°C DB		27.0°C DB		28.0°C DB		30.0°C DB		32.0°C DB	
		TC	PI	TC	PI	TC	PI	TC	PI	TC	PI	TC	PI	TC	PI
		kW	kW	kW	kW	kW	kW	kW	kW	kW	kW	kW	kW	kW	
50%	-5	10.9	1.06	13.1	1.27	16.7	1.5	18.1	1.62	19.2	1.75	21.4	2.03	23.6	2.32
	0	10.9	1.06	13.1	1.27	16.7	1.5	18.1	1.62	19.2	1.75	21.4	2.03	23.6	2.32
	4	10.9	1.06	13.1	1.27	16.7	1.51	18.1	1.63	19.2	1.76	21.4	2.04	23.6	2.33
	7	10.9	1.08	13.1	1.3	16.7	1.53	18.1	1.66	19.2	1.79	21.2	2.08	23.3	2.38
	10	10.9	1.41	12.6	1.63	14.5	1.86	15.4	1.98	16.3	2.1	18.1	2.36	20	2.63
	12	10.9	1.42	12.6	1.65	14.5	1.89	15.4	2	16.3	2.14	18.1	2.4	20	2.67
	14	10.9	1.44	12.6	1.67	14.5	1.91	15.4	2.04	16.3	2.17	18.1	2.44	20	2.73
	16	10.9	1.46	12.6	1.69	14.5	1.94	15.4	2.08	16.3	2.2	18.1	2.48	20	2.77
	18	10.9	1.48	12.6	1.72	14.5	1.97	15.4	2.11	16.3	2.24	18.1	2.53	20	2.82
	20	10.9	1.5	12.6	1.74	14.5	2	15.4	2.15	16.3	2.29	18.1	2.58	20	2.87
	21	10.9	1.51	12.6	1.76	14.5	2.02	15.4	2.16	16.3	2.31	18.1	2.6	20	2.9
	23	10.9	1.53	12.6	1.78	14.5	2.06	15.4	2.2	16.3	2.35	18.1	2.64	20	2.97
	25	10.9	1.55	12.6	1.81	14.5	2.1	15.4	2.24	16.3	2.42	18.1	2.78	20	3.17
	27	10.9	1.58	12.6	1.89	14.5	2.21	15.4	2.39	16.3	2.57	18.1	2.96	20	3.38
	29	10.9	1.67	12.6	1.99	14.5	2.35	15.4	2.54	16.2	2.74	18.1	3.15	20	3.6
	31	10.9	1.76	12.6	2.11	14.5	2.51	15.4	2.69	16.2	2.9	18.1	3.34	20	3.83
	33	10.9	1.87	12.6	2.23	14.5	2.64	15.4	2.85	16.2	3.08	18.1	3.55	20	4.07
	35	10.9	1.97	12.6	2.36	14.5	2.79	15.4	3.02	16.2	3.26	18.1	3.77	20	4.32
	37	10.9	2.08	12.6	2.5	14.5	2.96	15.1	3.2	16.2	3.46	18.1	4.01	20	4.59
	39	10.9	2.19	12.6	2.63	14.5	3.12	15	3.39	16.2	3.67	18.1	4.25	20	4.88
41	10.3	2.48	12.1	2.97	13.8	3.51	14.7	3.5	15.5	3.78	17.3	4.38	19.1	5.01	
44	9.7	2.7	11.5	3.23	13.3	3.9	14.1	3.96	15	4.08	16.7	4.61	18.5	5.27	
47	9.2	3.59	11.2	4.3	12.9	4.1	13.7	4.02	14.5	4.34	16.2	4.94	18	5.66	
50	8.6	3.53	10.2	4.22	11.6	4.32	12.4	4.35	13.1	4.63	14.6	5.28	16.3	5.92	
52	6.8	2.98	7.9	3.56	9.1	3.68	9.7	3.96	10.3	4.17	11.9	4.72	13.5	5.18	

Dc Inverter Multi VRF System Technical Sales Guide

GMV-280WL/C1-X

TC—Total capacity of outdoor unit; PI—Power input of outdoor unit

Combination	Outdoor air temp (°C DB)	Indoor air temp													
		14.0°CWB		16.0°CWB		18.0°CWB		19.0°CWB		20.0°CWB		22.0°CWB		24.0°CWB	
		20.0°CDB		23.0°CDB		26.0°CDB		27.0°CDB		28.0°CDB		30.0°CDB		32.0°CDB	
		TC	PI	TC	PI	TC	PI	TC	PI	TC	PI	TC	PI	TC	PI
		kW	kW	kW	kW	kW	kW	kW	kW	kW	kW	kW	kW	kW	
135%	-5	24.6	5.16	29.3	6.28	34.0	6.36	35.3	6.39	36.0	6.43	36.9	6.50	38.0	6.57
	0	24.6	5.17	29.3	6.30	34.0	6.37	35.3	6.41	36.0	6.44	36.9	6.52	38.0	6.58
	4	24.6	5.19	29.3	6.32	34.0	6.40	35.3	6.43	36.0	6.46	36.9	6.54	38.0	6.61
	7	24.6	5.29	29.3	6.44	34.0	6.51	35.3	6.55	36.0	6.58	36.6	6.66	37.5	6.73
	10	24.6	5.38	29.3	6.57	34.0	7.82	35.3	7.99	35.7	7.83	36.6	7.74	37.5	7.68
	12	24.6	5.47	29.3	6.70	34.0	7.97	34.8	7.94	35.3	7.79	36.1	7.79	37.0	7.68
	14	24.6	5.58	29.3	6.83	33.9	8.07	34.4	7.91	34.8	7.74	35.7	7.82	36.6	7.75
	16	24.6	5.68	29.3	6.97	33.5	8.04	33.9	7.97	34.3	8.01	35.2	8.08	36.1	8.16
	18	24.6	5.79	29.3	7.11	33.0	8.34	33.4	8.38	33.9	8.43	34.8	8.51	35.7	8.59
	20	24.6	5.91	29.3	7.57	32.5	8.74	33.0	8.79	33.4	8.84	34.3	8.92	35.2	9.01
	21	24.6	6.07	29.3	7.83	32.3	8.95	32.8	9.00	33.2	9.04	34.1	9.14	35.0	9.22
	23	24.6	6.51	29.3	8.40	31.9	9.36	32.3	9.41	32.7	9.45	33.6	9.55	34.5	9.64
	25	24.6	6.95	29.3	9.00	31.4	9.77	31.9	9.81	32.3	9.88	33.2	9.97	34.1	10.07
	27	24.6	7.42	29.3	9.63	31.0	10.12	31.4	10.24	31.8	10.29	32.7	10.40	33.6	10.51
	29	24.6	7.93	29.3	10.29	30.5	10.58	30.9	10.65	31.4	10.71	32.3	10.82	33.2	10.93
	31	24.6	8.46	29.2	10.88	30.0	11.01	30.5	11.07	30.9	11.12	31.8	11.25	32.7	11.37
	33	24.6	9.01	28.7	11.29	29.6	11.40	30.0	11.48	30.5	11.54	31.4	11.67	32.2	11.81
	35	24.6	9.61	28.2	11.70	29.1	11.84	29.6	11.91	30.0	11.97	30.9	12.11	31.8	12.24
	37	24.6	10.22	27.8	12.13	28.7	12.27	29.1	12.33	29.6	12.41	30.4	12.55	31.3	12.69
	39	24.6	10.88	27.3	12.54	28.2	12.68	28.7	12.76	29.1	12.83	30.0	12.98	30.9	13.13
41	23.2	12.11	26.8	14.74	27.7	14.92	28.1	13.81	28.5	13.88	29.4	14.05	30.3	14.19	
44	21.6	13.17	25.4	16.03	26.3	16.58	26.9	15.60	27.4	14.96	28.3	14.77	29.3	14.93	
47	20.4	17.52	24.5	21.33	25.5	17.41	26.0	15.83	26.4	15.92	27.3	15.86	28.3	16.03	
50	18.7	17.20	22.0	20.95	22.7	18.36	23.2	17.14	23.6	17.00	24.4	16.95	25.4	16.76	
52	14.2	14.51	16.4	17.67	17.0	15.63	17.5	15.60	18.0	15.32	19.5	15.14	20.7	14.68	

Combination	Outdoor air temp (°C DB)	Indoor air temp													
		14.0°CWB		16.0°CWB		18.0°CWB		19.0°CWB		20.0°CWB		22.0°CWB		24.0°CWB	
		20.0°CDB		23.0°CDB		26.0°CDB		27.0°CDB		28.0°CDB		30.0°CDB		32.0°CDB	
		TC	PI	TC	PI	TC	PI	TC	PI	TC	PI	TC	PI	TC	PI
		kW	kW	kW	kW	kW	kW	kW	kW	kW	kW	kW	kW	kW	
120%	-5	22.7	4.59	28.1	5.95	33.4	6.32	34.6	6.35	35.4	6.39	36.2	6.45	37.2	6.52
	0	22.7	4.60	28.1	5.96	33.4	6.33	34.6	6.36	35.4	6.40	36.2	6.46	37.2	6.53
	4	22.7	4.62	28.1	5.98	33.4	6.35	34.6	6.39	35.4	6.42	36.2	6.49	37.2	6.56
	7	22.7	4.71	28.1	6.09	33.4	6.47	34.6	6.51	35.4	6.54	35.9	6.61	36.7	6.68
	10	22.7	4.91	27.0	5.99	31.4	7.12	33.6	7.71	35.2	7.80	36.0	7.72	36.8	7.60
	12	22.7	5.00	27.0	6.10	31.4	7.27	33.6	7.85	34.7	7.76	35.5	7.69	36.3	7.61
	14	22.7	5.10	27.0	6.23	31.4	7.41	33.6	7.90	34.2	7.71	35.1	7.64	35.9	7.69
	16	22.7	5.19	27.0	6.35	31.4	7.55	33.4	7.94	33.8	7.96	34.6	8.04	35.4	8.10
	18	22.7	5.28	27.0	6.48	31.4	7.82	32.9	8.34	33.3	8.37	34.1	8.45	35.0	8.52
	20	22.7	5.39	27.0	6.73	31.4	8.40	32.5	8.74	32.9	8.78	33.7	8.85	34.5	8.93
	21	22.7	5.44	27.0	6.97	31.4	8.70	32.2	8.95	32.6	8.98	33.5	9.06	34.3	9.15
	23	22.7	5.82	27.0	7.47	31.4	9.31	31.8	9.34	32.2	9.39	33.0	9.48	33.8	9.56
	25	22.7	6.21	27.0	7.99	30.9	9.72	31.3	9.75	31.7	9.80	32.6	9.89	33.4	9.99
	27	22.7	6.64	27.0	8.54	30.5	10.11	30.9	10.18	31.3	10.22	32.1	10.32	32.9	10.41
	29	22.7	7.08	27.0	9.12	30.0	10.52	30.4	10.58	30.8	10.63	31.6	10.74	32.5	10.84
	31	22.7	7.55	27.0	9.74	29.6	10.95	30.0	10.99	30.4	11.06	31.2	11.17	32.0	11.28
	33	22.7	8.04	27.0	10.40	29.1	11.36	29.5	11.42	29.9	11.47	30.7	11.59	31.5	11.70
	35	22.7	8.56	27.0	11.07	28.6	11.76	29.0	11.83	29.5	11.89	30.3	12.02	31.1	12.14
	37	22.7	9.11	27.0	11.80	28.2	12.19	28.6	12.25	29.0	12.31	29.8	12.44	30.6	12.58
	39	22.7	9.69	26.9	12.46	27.7	12.60	28.1	12.68	28.5	12.74	29.4	12.88	30.2	13.01
41	21.5	10.78	25.7	13.95	27.2	14.82	27.6	13.72	28.1	13.79	28.8	13.94	29.6	14.08	
44	20.0	11.72	24.3	15.17	25.9	16.47	26.4	15.49	26.9	14.86	27.8	14.66	28.6	14.81	
47	18.8	15.60	23.5	20.18	25.0	17.29	25.5	15.73	26.0	15.81	26.8	15.74	27.7	15.91	
50	17.3	15.32	21.1	19.82	22.3	18.23	22.7	17.03	23.2	16.88	23.9	16.82	24.9	16.63	
52	13.1	12.92	15.7	16.72	16.7	15.53	17.1	15.49	17.7	15.22	19.1	15.02	20.2	14.57	

Dc Inverter Multi VRF System Technical Sales Guide

Combination	Outdoor air temp (°C DB)	Indoor air temp													
		14.0°CWB		16.0°CWB		18.0°CWB		19.0°CWB		20.0°CWB		22.0°CWB		24.0°CWB	
		20.0°CDB		23.0°CDB		26.0°CDB		27.0°CDB		28.0°CDB		30.0°CDB		32.0°CDB	
		TC	PI	TC	PI	TC	PI	TC	PI	TC	PI	TC	PI	TC	PI
		kW	kW	kW	kW	kW	kW	kW	kW	kW	kW	kW	kW	kW	
110%	-5	20.8	4.06	25.8	5.23	32.9	6.28	34.0	6.31	34.7	6.34	35.3	6.40	36.3	6.46
	0	20.8	4.07	25.8	5.24	32.9	6.29	34.0	6.32	34.7	6.35	35.3	6.41	36.3	6.47
	4	20.8	4.09	25.8	5.26	32.9	6.31	34.0	6.34	34.7	6.38	35.3	6.44	36.3	6.50
	7	20.8	4.16	25.8	5.35	32.9	6.43	34.0	6.46	34.7	6.50	35.1	6.56	35.8	6.62
	10	20.8	4.45	24.8	5.43	28.8	6.45	30.8	6.97	32.8	7.50	35.3	7.68	36.1	7.57
	12	20.8	4.55	24.8	5.54	28.8	6.57	30.8	7.11	32.8	7.64	34.9	7.68	35.6	7.61
	14	20.8	4.62	24.8	5.63	28.8	6.70	30.8	7.23	32.8	7.68	34.4	7.61	35.2	7.63
	16	20.8	4.70	24.8	5.74	28.8	6.83	30.8	7.38	32.8	7.94	34.0	7.97	34.7	8.05
	18	20.8	4.80	24.8	5.85	28.8	6.97	30.8	7.58	32.8	8.32	33.5	8.38	34.3	8.46
	20	20.8	4.89	24.8	5.98	28.8	7.38	30.8	8.15	32.3	8.73	33.1	8.79	33.8	8.87
	21	20.8	4.94	24.8	6.15	28.8	7.64	30.8	8.45	32.1	8.93	32.8	9.00	33.6	9.07
	23	20.8	5.17	24.8	6.59	28.8	8.19	30.8	9.06	31.6	9.33	32.4	9.42	33.1	9.50
	25	20.8	5.50	24.8	7.05	28.8	8.76	30.8	9.70	31.2	9.74	31.9	9.83	32.7	9.91
	27	20.8	5.88	24.8	7.53	28.8	9.37	30.3	10.11	30.7	10.14	31.5	10.24	32.2	10.33
	29	20.8	6.28	24.8	8.04	28.8	10.02	29.9	10.52	30.3	10.57	31.0	10.66	31.8	10.76
	31	20.8	6.68	24.8	8.57	28.8	10.69	29.4	10.93	29.8	10.98	30.6	11.07	31.3	11.18
	33	20.8	7.11	24.8	9.14	28.6	11.28	29.0	11.34	29.4	11.39	30.1	11.50	30.9	11.61
	35	20.8	7.57	24.8	9.74	28.2	11.69	28.5	11.75	28.9	11.81	29.6	11.92	30.4	12.03
	37	20.8	8.05	24.8	10.36	27.7	12.11	28.1	12.16	28.4	12.22	29.2	12.35	29.9	12.46
	39	20.8	8.56	24.8	11.04	27.2	12.52	27.6	12.58	28.0	12.65	28.7	12.77	29.5	12.90
41	19.7	9.53	23.6	12.27	26.8	14.72	27.1	13.63	27.5	13.70	28.2	13.83	29.0	13.96	
44	18.3	10.36	22.3	13.34	25.5	16.36	25.9	15.39	26.4	14.76	27.1	14.54	28.0	14.68	
47	17.3	13.79	21.6	17.75	24.7	17.18	25.0	15.63	25.4	15.71	26.2	15.62	27.1	15.76	
50	15.8	13.54	19.3	17.43	22.0	18.11	22.3	16.92	22.7	16.77	23.4	16.69	24.3	16.48	
52	12.0	11.42	14.4	14.70	16.5	15.43	16.8	15.39	17.3	15.12	18.6	14.90	19.8	14.44	

Combination	Outdoor air temp (°C DB)	Indoor air temp													
		14.0°CWB		16.0°CWB		18.0°CWB		19.0°CWB		20.0°CWB		22.0°CWB		24.0°CWB	
		20.0°CDB		23.0°CDB		26.0°CDB		27.0°CDB		28.0°CDB		30.0°CDB		32.0°CDB	
		TC	PI	TC	PI	TC	PI	TC	PI	TC	PI	TC	PI	TC	PI
		kW	kW	kW	kW	kW	kW	kW	kW	kW	kW	kW	kW	kW	
100%	-5	18.9	3.55	23.4	4.55	30.6	5.67	33.4	6.27	34.0	6.30	34.6	6.35	35.5	6.41
	0	18.9	3.56	23.4	4.56	30.6	5.68	33.4	6.28	34.0	6.31	34.6	6.37	35.5	6.42
	4	18.9	3.57	23.4	4.57	30.6	5.70	33.4	6.30	34.0	6.33	34.6	6.39	35.5	6.45
	7	18.9	3.64	23.4	4.66	30.6	5.81	33.4	6.42	34.0	6.45	34.3	6.51	35.0	6.57
	10	18.9	4.03	22.5	4.89	26.2	5.79	28.0	6.25	29.8	6.75	33.5	7.63	35.4	7.57
	12	18.9	4.08	22.5	4.96	26.2	5.86	28.0	6.33	29.8	6.88	33.5	7.59	34.9	7.59
	14	18.9	4.15	22.5	5.04	26.2	5.96	28.0	6.45	29.8	7.00	33.5	7.60	34.5	7.61
	16	18.9	4.24	22.5	5.16	26.2	6.10	28.0	6.59	29.8	7.16	33.4	7.96	34.0	7.98
	18	18.9	4.34	22.5	5.27	26.2	6.22	28.0	6.72	29.8	7.30	32.9	8.24	33.6	8.36
	20	18.9	4.40	22.5	5.35	26.2	6.42	28.0	7.07	29.8	7.76	32.4	8.67	33.1	8.80
	21	18.9	4.45	22.5	5.41	26.2	6.64	28.0	7.31	29.8	8.03	32.2	8.96	32.9	9.05
	23	18.9	4.56	22.5	5.78	26.2	7.14	28.0	7.86	29.8	8.63	31.8	9.42	32.4	9.49
	25	18.9	4.85	22.5	6.14	26.2	7.60	28.0	8.37	29.8	9.23	31.3	9.82	32.0	9.90
	27	18.9	5.19	22.5	6.56	26.2	8.15	28.0	8.98	29.8	9.91	30.8	10.18	31.5	10.27
	29	18.9	5.49	22.5	7.01	26.2	8.72	28.0	9.60	29.7	10.50	30.4	10.64	31.1	10.74
	31	18.9	5.85	22.5	7.47	26.2	9.29	28.0	10.34	29.3	10.92	29.7	11.05	30.6	11.18
	33	18.9	6.22	22.5	7.95	26.2	9.91	28.0	10.95	28.8	11.32	29.5	11.42	30.2	11.52
	35	18.9	6.62	22.5	8.47	26.2	10.56	28.0	11.67	28.3	11.73	29.0	11.83	29.7	11.94
	37	18.9	7.05	22.5	9.02	26.2	11.25	27.5	12.09	27.9	12.15	28.6	12.24	29.3	12.35
	39	18.9	7.50	22.5	9.61	26.2	11.98	27.1	12.49	27.3	12.55	28.2	12.64	28.6	12.75
41	17.9	8.34	21.4	10.67	24.9	13.31	26.6	13.54	26.9	13.60	27.6	13.73	28.3	13.85	
44	16.6	9.06	20.2	11.60	23.7	14.79	25.5	15.29	25.8	14.66	26.5	14.44	27.3	14.57	
47	15.7	12.06	19.6	15.44	22.9	15.53	24.6	15.52	24.9	15.60	25.6	15.50	26.4	15.64	
50	14.4	11.84	17.5	15.16	20.5	16.37	21.9	16.80	22.2	16.65	22.9	16.57	23.7	16.36	
52	10.9	9.99	13.0	12.79	15.3	13.94	16.5	15.29	17.0	15.01	18.3	14.79	19.3	14.33	

Dc Inverter Multi VRF System Technical Sales Guide

Combination	Outdoor air temp (°C DB)	Indoor air temp													
		14.0°CWB		16.0°CWB		18.0°CWB		19.0°CWB		20.0°CWB		22.0°CWB		24.0°CWB	
		20.0°CDB		23.0°CDB		26.0°CDB		27.0°CDB		28.0°CDB		30.0°CDB		32.0°CDB	
		TC	PI	TC	PI	TC	PI	TC	PI	TC	PI	TC	PI	TC	PI
	kW	kW	kW	kW	kW	kW	kW	kW	kW	kW	kW	kW	kW	kW	
90%	-5	18.4	3.10	22.4	3.92	28.9	4.84	31.5	5.35	33.6	5.89	33.9	6.30	35.3	6.36
	0	18.4	3.11	22.4	3.93	28.9	4.85	31.5	5.36	33.6	5.90	33.9	6.31	35.3	6.37
	4	18.4	3.12	22.4	3.95	28.9	4.87	31.5	5.38	33.6	5.92	33.9	6.33	35.3	6.39
	7	18.4	3.17	22.4	4.02	28.9	4.96	31.5	5.48	33.6	6.03	33.9	6.45	34.8	6.51
	10	18.4	3.51	21.6	4.22	25.0	4.94	26.6	5.57	28.2	5.93	31.5	6.79	34.8	7.46
	12	18.4	3.56	21.6	4.27	25.0	5.01	26.6	5.64	28.2	6.04	31.5	6.91	34.8	7.56
	14	18.4	3.62	21.6	4.35	25.0	5.09	26.6	5.73	28.2	6.15	31.5	7.03	34.0	7.57
	16	18.4	3.70	21.6	4.45	25.0	5.21	26.6	5.85	28.2	6.28	31.5	7.18	33.8	7.61
	18	18.4	3.79	21.6	4.55	25.0	5.31	26.6	5.97	28.2	6.41	31.5	7.35	33.5	8.02
	20	18.4	3.84	21.6	4.62	25.0	5.48	26.6	6.09	28.2	6.67	31.5	7.90	32.9	8.72
	21	18.4	3.88	21.6	4.66	25.0	5.67	26.6	6.29	28.2	6.90	31.5	8.17	32.7	8.91
	23	18.4	3.98	21.6	4.98	25.0	6.10	26.6	6.77	28.2	7.39	31.5	8.77	32.2	9.37
	25	18.4	4.24	21.6	5.30	25.0	6.49	26.6	7.22	28.2	7.90	31.2	9.38	31.8	9.75
	27	18.4	4.53	21.6	5.66	25.0	6.96	26.6	7.71	28.2	8.46	30.7	10.01	31.3	10.18
	29	18.4	4.79	21.6	6.05	25.0	7.44	26.6	8.23	28.2	9.03	30.3	10.50	30.9	10.59
	31	18.4	5.10	21.6	6.44	25.0	7.94	26.6	8.79	28.2	9.64	29.6	10.88	30.6	11.02
	33	18.4	5.43	21.6	6.86	25.0	8.46	26.6	9.35	28.2	10.25	29.5	11.32	30.0	11.42
	35	18.4	5.77	21.6	7.31	25.0	9.02	26.6	9.97	28.2	10.96	28.9	11.73	29.5	11.84
	37	18.4	6.15	21.6	7.78	25.0	9.61	26.1	10.32	27.9	11.73	28.5	12.15	29.1	12.12
	39	18.4	6.55	21.6	8.29	25.0	10.23	25.8	10.67	27.1	12.43	28.1	12.60	28.5	12.57
41	17.5	7.27	20.6	9.21	23.8	11.36	25.4	11.56	26.9	12.72	27.5	13.61	28.1	13.73	
44	16.4	7.91	19.6	10.01	22.7	12.63	24.3	13.06	25.3	13.70	26.5	14.31	27.2	14.44	
47	15.5	10.52	19.0	13.32	22.0	13.26	23.5	13.26	24.4	14.58	25.6	15.37	26.3	15.50	
50	14.3	10.33	17.2	13.08	19.8	13.98	21.1	14.35	21.9	15.57	22.8	16.42	23.7	16.21	
52	11.2	8.71	13.1	11.03	15.2	11.91	16.3	13.06	16.9	14.03	18.2	14.66	19.3	14.20	

Combination	Outdoor air temp (°C DB)	Indoor air temp													
		14.0°CWB		16.0°CWB		18.0°CWB		19.0°CWB		20.0°CWB		22.0°CWB		24.0°CWB	
		20.0°CDB		23.0°CDB		26.0°CDB		27.0°CDB		28.0°CDB		30.0°CDB		32.0°CDB	
		TC	PI	TC	PI	TC	PI	TC	PI	TC	PI	TC	PI	TC	PI
	kW	kW	kW	kW	kW	kW	kW	kW	kW	kW	kW	kW	kW	kW	
80%	-5	16.5	2.68	20.1	3.30	25.9	4.10	28.1	4.52	29.9	4.94	33.4	5.86	35.2	6.28
	0	16.5	2.68	20.1	3.31	25.9	4.11	28.1	4.53	29.9	4.95	33.4	5.87	35.2	6.29
	4	16.5	2.69	20.1	3.32	25.9	4.13	28.1	4.54	29.9	4.97	33.4	5.89	35.2	6.32
	7	16.5	2.74	20.1	3.38	25.9	4.20	28.1	4.63	29.9	5.06	33.1	6.00	34.7	6.43
	10	16.5	3.19	19.4	3.82	22.4	4.50	23.8	4.84	25.2	5.19	28.2	5.93	31.1	6.88
	12	16.5	3.24	19.4	3.88	22.4	4.58	23.8	4.94	25.2	5.29	28.2	6.03	31.1	6.83
	14	16.5	3.30	19.4	3.96	22.4	4.66	23.8	5.02	25.2	5.38	28.2	6.13	31.1	6.98
	16	16.5	3.35	19.4	4.03	22.4	4.75	23.8	5.11	25.2	5.47	28.2	6.27	31.1	7.23
	18	16.5	3.41	19.4	4.10	22.4	4.86	23.8	5.22	25.2	5.57	28.2	6.41	31.1	7.74
	20	16.5	3.48	19.4	4.18	22.4	4.94	23.8	5.32	25.2	5.70	28.2	6.64	31.1	8.02
	21	16.5	3.51	19.4	4.22	22.4	4.99	23.8	5.38	25.2	5.83	28.2	6.89	31.1	8.58
	23	16.5	3.57	19.4	4.31	22.4	5.22	23.8	5.72	25.2	6.23	28.2	7.36	31.1	9.18
	25	16.5	3.68	19.4	4.58	22.4	5.58	23.8	6.12	25.2	6.65	28.2	7.88	31.1	9.75
	27	16.5	3.92	19.4	4.88	22.4	5.95	23.8	6.53	25.2	7.13	28.2	8.41	31.1	10.14
	29	16.5	4.17	19.4	5.19	22.4	6.34	23.8	6.95	25.2	7.61	28.2	8.98	30.8	10.51
	31	16.5	4.42	19.4	5.52	22.4	6.75	23.8	7.41	25.2	8.11	28.2	9.58	30.3	10.89
	33	16.5	4.70	19.4	6.15	22.4	7.19	23.8	7.89	25.2	8.64	28.2	10.23	29.9	11.29
	35	16.5	4.99	19.4	6.15	22.4	7.64	23.8	8.41	25.2	9.20	28.2	10.92	29.4	11.70
	37	16.5	5.28	19.4	6.62	22.4	8.13	23.4	8.96	25.2	9.79	28.2	11.63	29.0	12.10
	39	16.5	5.60	19.4	7.03	22.4	8.65	23.1	9.54	25.2	10.43	28.1	12.38	28.5	12.55
41	15.7	6.28	18.5	7.75	21.3	9.63	22.7	9.76	24.0	10.67	26.9	12.66	28.1	13.57	
44	14.7	6.83	17.6	8.42	20.4	10.70	21.8	11.02	23.1	11.50	25.9	13.32	27.2	14.27	
47	13.9	9.09	17.1	11.21	19.7	11.24	21.1	11.19	22.3	12.23	25.1	14.30	26.3	15.32	
50	12.9	8.92	15.4	11.01	17.8	11.85	18.9	12.12	20.1	13.06	22.6	15.28	23.5	16.02	
52	10.1	7.53	11.8	9.29	13.7	10.09	14.6	11.02	15.7	11.77	18.2	13.65	19.0	14.03	

Dc Inverter Multi VRF System Technical Sales Guide

Combination	Outdoor air temp (°C DB)	Indoor air temp													
		14.0°CWB		16.0°CWB		18.0°CWB		19.0°CWB		20.0°CWB		22.0°CWB		24.0°CWB	
		20.0°CDB		23.0°CDB		26.0°CDB		27.0°CDB		28.0°CDB		30.0°CDB		32.0°CDB	
		TC	PI	TC	PI	TC	PI	TC	PI	TC	PI	TC	PI	TC	PI
	kW	kW	kW	kW	kW	kW	kW	kW	kW	kW	kW	kW	kW	kW	
70%	-5	14.6	2.28	17.8	2.82	22.8	3.42	24.8	3.75	26.4	4.09	29.4	4.81	32.5	5.60
	0	14.6	2.28	17.8	2.83	22.8	3.43	24.8	3.76	26.4	4.10	29.4	4.82	32.5	5.61
	4	14.6	2.29	17.8	2.84	22.8	3.44	24.8	3.77	26.4	4.11	29.4	4.84	32.5	5.63
	7	14.6	2.34	17.8	2.89	22.8	3.50	24.8	3.84	26.4	4.19	29.2	4.93	32.1	5.74
	10	14.6	2.82	17.1	3.33	19.7	3.88	21.0	4.18	22.3	4.48	24.8	5.10	27.4	5.72
	12	14.6	2.85	17.1	3.38	19.7	3.96	21.0	4.26	22.3	4.56	24.8	5.19	27.4	5.84
	14	14.6	2.89	17.1	3.44	19.7	4.03	21.0	4.33	22.3	4.64	24.8	5.28	27.4	5.95
	16	14.6	2.94	17.1	3.51	19.7	4.10	21.0	4.42	22.3	4.73	24.8	5.38	27.4	6.06
	18	14.6	2.99	17.1	3.57	19.7	4.18	21.0	4.50	22.3	4.81	24.8	5.49	27.4	6.18
	20	14.6	3.04	17.1	3.63	19.7	4.26	21.0	4.58	22.3	4.91	24.8	5.60	27.4	6.35
	21	14.6	3.07	17.1	3.66	19.7	4.29	21.0	4.62	22.3	4.95	24.8	5.66	27.4	6.57
	23	14.6	3.11	17.1	3.73	19.7	4.39	21.0	4.78	22.3	5.21	24.8	6.09	27.4	7.05
	25	14.6	3.18	17.1	3.88	19.7	4.67	21.0	5.11	22.3	5.55	24.8	6.51	27.4	7.53
	27	14.6	3.37	17.1	4.14	19.7	4.99	21.0	5.44	22.3	5.93	24.8	6.95	27.4	8.05
	29	14.6	3.57	17.1	4.39	19.7	5.30	21.0	5.80	22.3	6.31	24.8	7.41	27.4	8.60
	31	14.6	3.77	17.1	4.66	19.7	5.65	21.0	6.17	22.3	6.72	24.8	7.90	27.4	9.17
	33	14.6	4.01	17.1	4.95	19.7	6.01	21.0	6.56	22.3	7.16	24.8	8.41	27.4	9.78
	35	14.6	4.25	17.1	5.25	19.7	6.37	21.0	6.98	22.3	7.61	24.8	8.96	27.4	10.43
	37	14.6	4.48	17.1	5.57	19.7	6.78	20.6	7.42	22.3	8.10	24.8	9.55	27.4	11.10
	39	14.6	4.75	17.1	5.90	19.7	7.19	20.4	7.88	22.3	8.60	24.8	10.14	27.4	11.83
41	13.9	5.35	16.4	6.62	18.8	8.03	20.0	8.10	21.2	8.83	23.7	10.40	26.2	12.10	
44	13.0	5.82	15.6	7.20	18.0	8.92	19.2	9.15	20.4	9.52	22.9	10.94	25.3	12.72	
47	12.4	7.74	15.1	9.58	17.4	9.36	18.6	9.29	19.8	10.12	22.1	11.74	24.5	13.66	
50	11.5	7.60	13.7	9.40	15.7	9.87	16.7	10.06	17.8	10.81	19.9	12.55	22.2	14.29	
52	9.0	6.41	10.5	7.93	12.1	8.41	13.0	9.15	13.9	9.74	16.2	11.21	18.3	12.51	

Combination	Outdoor air temp (°C DB)	Indoor air temp													
		14.0°CWB		16.0°CWB		18.0°CWB		19.0°CWB		20.0°CWB		22.0°CWB		24.0°CWB	
		20.0°CDB		23.0°CDB		26.0°CDB		27.0°CDB		28.0°CDB		30.0°CDB		32.0°CDB	
		TC	PI	TC	PI	TC	PI	TC	PI	TC	PI	TC	PI	TC	PI
		kW	kW	kW	kW	kW	kW	kW	kW	kW	kW	kW	kW	kW	
60%	-5	12.7	1.92	15.4	2.34	19.8	2.80	21.4	3.06	22.9	3.32	25.4	3.88	28.0	4.48
	0	12.7	1.92	15.4	2.34	19.8	2.81	21.4	3.06	22.9	3.33	25.4	3.88	28.0	4.48
	4	12.7	1.93	15.4	2.35	19.8	2.82	21.4	3.07	22.9	3.34	25.4	3.90	28.0	4.50
	7	12.7	1.96	15.4	2.40	19.8	2.87	21.4	3.13	22.9	3.40	25.2	3.97	27.7	4.58
	10	12.7	2.44	14.9	2.86	17.1	3.32	18.2	3.55	19.3	3.79	21.5	4.29	23.7	4.81
	12	12.7	2.48	14.9	2.91	17.1	3.38	18.2	3.62	19.3	3.85	21.5	4.37	23.7	4.89
	14	12.7	2.52	14.9	2.96	17.1	3.43	18.2	3.68	19.3	3.93	21.5	4.45	23.7	4.99
	16	12.7	2.55	14.9	3.00	17.1	3.49	18.2	3.74	19.3	3.99	21.5	4.53	23.7	5.08
	18	12.7	2.60	14.9	3.05	17.1	3.55	18.2	3.81	19.3	4.07	21.5	4.61	23.7	5.17
	20	12.7	2.63	14.9	3.11	17.1	3.62	18.2	3.88	19.3	4.15	21.5	4.70	23.7	5.28
	21	12.7	2.66	14.9	3.13	17.1	3.65	18.2	3.92	19.3	4.18	21.5	4.75	23.7	5.33
	23	12.7	2.69	14.9	3.19	17.1	3.71	18.2	3.99	19.3	4.26	21.5	4.94	23.7	5.68
	25	12.7	2.74	14.9	3.26	17.1	3.85	18.2	4.18	19.3	4.53	21.5	5.27	23.7	6.06
	27	12.7	2.85	14.9	3.44	17.1	4.10	18.2	4.47	19.3	4.83	21.5	5.61	23.7	6.46
	29	12.7	3.00	14.9	3.65	17.1	4.37	18.2	4.75	19.3	5.14	21.5	5.99	23.7	6.90
	31	12.7	3.19	14.9	3.88	17.1	4.64	18.2	5.05	19.3	5.47	21.5	6.37	23.7	7.34
	33	12.7	3.37	14.9	4.10	17.1	4.92	18.2	5.36	19.3	5.82	21.5	6.78	23.7	7.83
	35	12.7	3.57	14.9	4.36	17.1	5.22	18.2	5.69	19.3	6.18	21.5	7.22	23.7	8.34
	37	12.7	3.77	14.9	4.61	17.1	5.54	17.9	6.04	19.3	6.56	21.5	7.68	23.7	8.87
	39	12.7	3.98	14.9	4.88	17.1	5.87	17.7	6.40	19.3	6.97	21.5	8.15	23.7	9.44
41	12.1	4.50	14.2	5.49	16.3	6.58	17.4	6.60	18.4	7.17	20.5	8.37	22.7	9.67	
44	11.4	4.89	13.5	5.97	15.6	7.31	16.7	7.46	17.7	7.73	19.8	8.81	21.9	10.17	
47	10.8	6.51	13.1	7.94	15.2	7.68	16.2	7.57	17.1	8.22	19.2	9.46	21.2	10.92	
50	10.0	6.39	11.9	7.80	13.7	8.09	14.6	8.20	15.4	8.78	17.3	10.11	19.2	11.42	
52	7.9	5.39	9.2	6.58	10.6	6.89	11.3	7.46	12.1	7.91	14.1	9.02	15.9	10.00	

Dc Inverter Multi VRF System Technical Sales Guide

Combination	Outdoor air temp (°C DB)	Indoor air temp													
		14.0°CWB		16.0°CWB		18.0°CWB		19.0°CWB		20.0°CWB		22.0°CWB		24.0°CWB	
		20.0°CDB		23.0°CDB		26.0°CDB		27.0°CDB		28.0°CDB		30.0°CDB		32.0°CDB	
		TC	PI	TC	PI	TC	PI	TC	PI	TC	PI	TC	PI	TC	PI
	kW	kW	kW	kW	kW	kW	kW	kW	kW	kW	kW	kW	kW	kW	
50%	-5	10.9	1.59	13.1	1.90	16.7	2.25	18.1	2.43	19.2	2.63	21.4	3.04	23.6	3.48
	0	10.9	1.59	13.1	1.90	16.7	2.25	18.1	2.44	19.2	2.63	21.4	3.05	23.6	3.49
	4	10.9	1.60	13.1	1.91	16.7	2.26	18.1	2.45	19.2	2.64	21.4	3.06	23.6	3.50
	7	10.9	1.63	13.1	1.95	16.7	2.30	18.1	2.49	19.2	2.69	21.2	3.11	23.3	3.56
	10	10.9	2.11	12.6	2.44	14.5	2.78	15.4	2.97	16.3	3.15	18.1	3.54	20.0	3.95
	12	10.9	2.12	12.6	2.47	14.5	2.83	15.4	3.00	16.3	3.21	18.1	3.60	20.0	4.01
	14	10.9	2.15	12.6	2.50	14.5	2.86	15.4	3.07	16.3	3.26	18.1	3.66	20.0	4.09
	16	10.9	2.19	12.6	2.53	14.5	2.91	15.4	3.11	16.3	3.30	18.1	3.73	20.0	4.15
	18	10.9	2.22	12.6	2.58	14.5	2.96	15.4	3.16	16.3	3.37	18.1	3.79	20.0	4.23
	20	10.9	2.25	12.6	2.61	14.5	3.00	15.4	3.22	16.3	3.43	18.1	3.87	20.0	4.31
	21	10.9	2.26	12.6	2.64	14.5	3.04	15.4	3.24	16.3	3.46	18.1	3.90	20.0	4.36
	23	10.9	2.30	12.6	2.67	14.5	3.08	15.4	3.30	16.3	3.52	18.1	3.96	20.0	4.45
	25	10.9	2.33	12.6	2.72	14.5	3.15	15.4	3.37	16.3	3.63	18.1	4.17	20.0	4.75
	27	10.9	2.37	12.6	2.83	14.5	3.32	15.4	3.59	16.3	3.85	18.1	4.44	20.0	5.06
	29	10.9	2.50	12.6	2.99	14.5	3.52	15.4	3.81	16.2	4.10	18.1	4.72	20.0	5.39
	31	10.9	2.64	12.6	3.16	14.5	3.76	15.4	4.04	16.2	4.36	18.1	5.02	20.0	5.74
	33	10.9	2.80	12.6	3.35	14.5	3.96	15.4	4.28	16.2	4.62	18.1	5.33	20.0	6.10
	35	10.9	2.96	12.6	3.54	14.5	4.18	15.4	4.53	16.2	4.89	18.1	5.66	20.0	6.48
	37	10.9	3.11	12.6	3.74	14.5	4.44	15.1	4.80	16.2	5.19	18.1	6.01	20.0	6.89
	39	10.9	3.29	12.6	3.95	14.5	4.69	15.0	5.08	16.2	5.50	18.1	6.37	20.0	7.31
41	10.3	3.73	12.1	4.46	13.8	5.27	14.7	5.25	15.5	5.67	17.3	6.57	19.1	7.52	
44	9.7	4.05	11.5	4.85	13.3	5.86	14.1	5.93	15.0	6.11	16.7	6.91	18.5	7.91	
47	9.2	5.39	11.2	6.45	12.9	6.15	13.7	6.02	14.5	6.51	16.2	7.42	18.0	8.49	
50	8.6	5.29	10.2	6.33	11.6	6.48	12.4	6.52	13.1	6.95	14.6	7.93	16.3	8.88	
52	6.8	4.46	7.9	5.34	9.1	5.52	9.7	5.93	10.3	6.26	11.9	7.08	13.5	7.78	

GMV-335WL/C-X

TC—Total capacity of outdoor unit; PI—Power input of outdoor unit

Combination	Outdoor air temp(°C DB)	Indoor air temp													
		14.0°C WB		16.0°C WB		18.0°C WB		19.0°C WB		20.0°C WB		22.0°C WB		24.0°C WB	
		20.0°C DB		23.0°C DB		26.0°C DB		27.0°C DB		28.0°C DB		30.0°C DB		32.0°C DB	
		TC	PI	TC	PI	TC	PI	TC	PI	TC	PI	TC	PI	TC	PI
	kW	kW	kW	kW	kW	kW	kW	kW	kW	kW	kW	kW	kW	kW	
135%	-5	29.4	4.23	35.1	5.15	40.7	5.22	42.2	5.24	43.1	5.27	44.1	5.33	45.5	5.39
	0	29.4	4.24	35.1	5.16	40.7	5.22	42.2	5.25	43.1	5.28	44.1	5.34	45.5	5.4
	4	29.4	4.26	35.1	5.18	40.7	5.24	42.2	5.27	43.1	5.3	44.1	5.36	45.5	5.42
	7	29.4	4.33	35.1	5.28	40.7	5.34	42.2	5.37	43.1	5.4	43.8	5.46	44.9	5.52
	10	29.4	4.41	35.1	5.39	40.7	6.41	42.2	6.55	42.7	6.42	43.8	6.15	44.9	5.87
	12	29.4	4.49	35.1	5.49	40.7	6.54	41.6	6.51	42.2	6.38	43.2	6.1	44.3	6.01
	14	29.4	4.58	35.1	5.6	40.6	6.62	41.2	6.49	41.6	6.35	42.7	6.29	43.8	6.36
	16	29.4	4.66	35.1	5.71	40.1	6.59	40.6	6.54	41	6.56	42.1	6.63	43.2	6.69
	18	29.4	4.75	35.1	5.83	39.5	6.84	40	6.87	40.6	6.91	41.6	6.98	42.7	7.04
	20	29.4	4.85	35.1	6.2	38.9	7.17	39.5	7.21	40	7.25	41	7.31	42.1	7.39
	21	29.4	4.98	35.1	6.42	38.6	7.34	39.2	7.38	39.7	7.42	40.8	7.49	41.9	7.56
	23	29.4	5.34	35.1	6.89	38.2	7.67	38.6	7.71	39.1	7.75	40.2	7.83	41.3	7.91
	25	29.4	5.7	35.1	7.38	37.6	8.01	38.2	8.05	38.6	8.1	39.7	8.18	40.8	8.25
	27	29.4	6.09	35.1	7.89	37.1	7.05	37.6	8.4	38	8.44	39.1	8.53	40.2	8.62
	29	29.4	6.5	35.1	8.44	36.5	8.68	37	8.73	37.6	8.78	38.6	8.87	39.7	8.96
	31	29.4	6.94	34.9	8.93	35.9	9.03	36.5	9.08	37	9.12	38	9.22	39.1	9.32
	33	29.4	7.39	34.3	9.26	35.4	9.35	35.9	9.42	36.5	9.47	37.6	9.57	38.5	9.69
	35	29.4	7.88	33.7	9.6	34.8	9.71	35.4	9.76	35.9	9.82	37	9.93	38	10.03
	37	29.4	8.38	33.3	9.94	34.3	10.06	34.8	10.11	35.4	10.18	36.4	10.29	37.4	10.41
	39	29.4	8.93	32.7	10.28	33.7	10.4	34.3	10.46	34.8	10.52	35.9	10.64	37	10.77
41	27.8	9.93	32.1	12.09	33.1	12.24	33.7	11.33	34.1	11.39	35.2	11.52	36.3	11.64	
44	25.9	10.8	30.4	13.15	31.5	13.6	32.2	12.79	32.8	12.27	33.9	12.12	35	12.24	
47	24.4	14.37	29.4	17.49	30.5	14.28	31.1	12.99	31.6	13.05	32.7	13.01	33.9	13.14	
50	22.4	14.11	26.3	17.18	27.2	15.05	27.7	14.06	28.2	13.94	29.2	13.9	30.4	13.75	
52	17	11.9	19.6	14.49	20.4	12.82	20.9	12.79	21.5	12.56	23.3	12.41	24.7	12.04	

Dc Inverter Multi VRF System Technical Sales Guide

Combination	Outdoor air temp (°C DB)	Indoor air temp													
		14.0°C WB		16.0°C WB		18.0°C WB		19.0°C WB		20.0°C WB		22.0°C WB		24.0°C WB	
		20.0°C DB		23.0°C DB		26.0°C DB		27.0°C DB		28.0°C DB		30.0°C DB		32.0°C DB	
		TC	PI	TC	PI	TC	PI	TC	PI	TC	PI	TC	PI	TC	PI
		kW	kW	kW	kW	kW	kW	kW	kW	kW	kW	kW	kW	kW	
120%	-5	27.2	3.77	33.6	4.88	40	5.18	41.4	5.21	42.4	5.24	43.3	5.29	44.5	5.35
	0	27.2	3.77	33.6	4.88	40	5.19	41.4	5.22	42.4	5.25	43.3	5.3	44.5	5.36
	4	27.2	3.79	33.6	4.9	40	5.21	41.4	5.24	42.4	5.27	43.3	5.32	44.5	5.38
	7	27.2	3.86	33.6	4.99	40	5.31	41.4	5.33	42.4	5.36	42.9	5.42	43.9	5.48
	10	27.2	4.02	32.3	4.91	37.6	5.84	40.2	6.32	42.1	6.59	43.1	6.33	44	6.09
	12	27.2	4.1	32.3	5	37.6	5.96	40.2	6.44	41.5	6.55	42.5	6.31	43.4	6.05
	14	27.2	4.18	32.3	5.11	37.6	6.07	40.2	6.56	40.9	6.51	42	6.27	43	6.31
	16	27.2	4.26	32.3	5.21	37.6	6.19	40	6.62	40.4	6.53	41.4	6.59	42.4	6.64
	18	27.2	4.33	32.3	5.31	37.6	6.41	39.4	6.84	39.8	6.86	40.8	6.93	41.9	6.99
	20	27.2	4.42	32.3	5.52	37.6	6.89	38.9	7.17	39.4	7.2	40.3	7.26	41.3	7.33
	21	27.2	4.46	32.3	5.71	37.6	7.13	38.5	7.34	39	7.36	40.1	7.43	41	7.51
	23	27.2	4.77	32.3	6.13	37.6	7.64	38	7.66	38.5	7.7	39.5	7.78	40.4	7.84
	25	27.2	5.09	32.3	6.55	37	7.97	37.4	8	37.9	8.04	39	8.11	40	8.19
	27	27.2	5.44	32.3	7	36.5	8.29	37	8.34	37.4	8.38	38.4	8.46	39.4	8.54
	29	27.2	5.8	32.3	7.48	35.9	8.63	36.4	8.68	36.9	8.72	37.8	8.81	38.9	8.89
	31	27.2	6.19	32.3	7.98	35.4	8.98	35.9	9.02	36.4	9.07	37.3	9.16	38.3	9.25
	33	27.2	6.59	32.3	8.53	34.8	9.31	35.3	9.36	35.8	9.4	36.7	9.51	37.7	9.6
	35	27.2	7.02	32.3	9.08	34.2	9.65	34.7	9.7	35.3	9.75	36.3	9.85	37.2	9.96
	37	27.2	7.47	32.3	9.67	33.7	10	34.2	10.05	34.7	10.1	35.7	10.2	36.6	10.32
	39	27.2	7.94	32.2	10.21	33.1	10.33	33.6	10.4	34.1	10.45	35.2	10.56	36.1	10.67
41	25.7	8.84	30.7	11.44	32.5	12.16	33	11.25	33.6	11.31	34.5	11.43	35.5	11.55	
44	23.9	9.61	29.1	12.44	31	13.51	31.6	12.71	32.2	12.19	33.2	12.02	34.2	12.15	
47	22.5	12.79	28.1	16.55	29.9	14.18	30.5	12.9	31.1	12.97	32.1	12.91	33.1	13.04	
50	20.6	12.56	25.2	16.25	26.7	14.95	27.2	13.97	27.7	13.85	28.6	13.8	29.8	13.64	
52	15.6	10.59	18.7	13.71	20	12.73	20.5	12.71	21.2	12.48	22.8	12.32	24.2	11.95	

Combination	Outdoor air temp (°C DB)	Indoor air temp													
		14.0°C WB		16.0°C WB		18.0°C WB		19.0°C WB		20.0°C WB		22.0°C WB		24.0°C WB	
		20.0°C DB		23.0°C DB		26.0°C DB		27.0°C DB		28.0°C DB		30.0°C DB		32.0°C DB	
		TC	PI	TC	PI	TC	PI	TC	PI	TC	PI	TC	PI	TC	PI
		kW	kW	kW	kW	kW	kW	kW	kW	kW	kW	kW	kW	kW	
110%	-5	24.9	3.33	30.8	4.29	39.4	5.15	40.7	5.17	41.5	5.2	42.3	5.25	43.5	5.3
	0	24.9	3.34	30.8	4.3	39.4	5.16	40.7	5.18	41.5	5.21	42.3	5.26	43.5	5.31
	4	24.9	3.35	30.8	4.31	39.4	5.17	40.7	5.2	41.5	5.23	42.3	5.28	43.5	5.33
	7	24.9	3.41	30.8	4.39	39.4	5.27	40.7	5.3	41.5	5.33	41.9	5.38	42.9	5.43
	10	24.9	3.65	29.7	4.45	34.5	5.29	36.9	5.71	39.2	6.15	42.2	6.53	43.2	6.31
	12	24.9	3.73	29.7	4.54	34.5	5.39	36.9	5.83	39.2	6.27	41.8	6.5	42.6	6.27
	14	24.9	3.79	29.7	4.62	34.5	5.49	36.9	5.93	39.2	6.38	41.2	6.5	42.1	6.26
	16	24.9	3.86	29.7	4.71	34.5	5.6	36.9	6.05	39.2	6.51	40.7	6.54	41.5	6.6
	18	24.9	3.93	29.7	4.8	34.5	5.71	36.9	6.22	39.2	6.82	40.1	6.87	41	6.94
	20	24.9	4.01	29.7	4.9	34.5	6.05	36.9	6.68	38.6	7.16	39.6	7.21	40.4	7.27
	21	24.9	4.05	29.7	5.04	34.5	6.27	36.9	6.93	38.4	7.33	39.2	7.38	40.2	7.44
	23	24.9	4.24	29.7	5.4	34.5	6.72	36.9	7.43	37.8	7.65	38.8	7.73	39.6	7.79
	25	24.9	4.51	29.7	5.78	34.5	7.18	36.9	7.96	37.3	7.98	38.2	8.06	39.1	8.13
	27	24.9	4.82	29.7	6.18	34.5	7.69	36.3	8.29	36.7	8.32	37.7	8.4	38.5	8.47
	29	24.9	5.15	29.7	6.59	34.5	8.22	35.8	8.63	36.3	8.67	37.1	8.74	38	8.82
	31	24.9	5.48	29.7	7.03	34.5	8.77	35.2	8.96	35.7	9	36.6	9.08	37.4	9.17
	33	24.9	5.83	29.7	7.49	34.2	9.25	34.7	9.3	35.2	9.34	36	9.43	37	9.52
	35	24.9	6.2	29.7	7.98	33.7	9.58	34.1	9.63	34.6	9.69	35.4	9.78	36.4	9.87
	37	24.9	6.6	29.7	8.5	33.1	9.93	33.6	9.97	34	10.02	34.9	10.12	35.8	10.21
	39	24.9	7.02	29.7	9.05	32.5	10.27	33	10.32	33.5	10.37	34.3	10.47	35.3	10.58
41	23.5	7.82	28.2	10.06	32.1	12.07	32.4	11.18	32.9	11.24	33.7	11.34	34.7	11.45	
44	21.9	8.5	26.7	10.94	30.5	13.42	31	12.62	31.6	12.11	32.4	11.93	33.5	12.04	
47	20.7	11.31	25.8	14.55	29.5	14.09	29.9	12.81	30.4	12.88	31.3	12.81	32.4	12.93	
50	18.9	11.1	23.1	14.29	26.4	14.85	26.7	13.87	27.1	13.75	28	13.69	29.1	13.52	
52	14.3	9.37	17.2	12.06	19.7	12.65	20.1	12.62	20.7	12.4	22.3	12.22	23.6	11.84	

Dc Inverter Multi VRF System Technical Sales Guide

Combination	Outdoor air temp (°C DB)	Indoor air temp													
		14.0°C WB		16.0°C WB		18.0°C WB		19.0°C WB		20.0°C WB		22.0°C WB		24.0°C WB	
		20.0°C DB		23.0°C DB		26.0°C DB		27.0°C DB		28.0°C DB		30.0°C DB		32.0°C DB	
		TC	PI	TC	PI	TC	PI	TC	PI	TC	PI	TC	PI	TC	PI
		kW	kW	kW	kW	kW	kW	kW	kW	kW	kW	kW	kW	kW	
100%	-5	22.6	2.91	28	3.73	36.6	4.65	40	5.14	40.6	5.16	41.4	5.21	42.4	5.26
	0	22.6	2.92	28	3.74	36.6	4.66	40	5.15	40.6	5.17	41.4	5.22	42.4	5.27
	4	22.6	2.93	28	3.75	36.6	4.68	40	5.17	40.6	5.19	41.4	5.24	42.4	5.29
	7	22.6	2.98	28	3.82	36.6	4.76	40	5.26	40.6	5.29	41.1	5.34	41.9	5.39
	10	22.6	3.3	26.9	4.01	31.3	4.74	33.5	5.12	35.7	5.53	40.1	6.26	42.3	6.51
	12	22.6	3.35	26.9	4.06	31.3	4.81	33.5	5.19	35.7	5.64	40.1	6.37	41.7	6.46
	14	22.6	3.4	26.9	4.13	31.3	4.89	33.5	5.29	35.7	5.74	40.1	6.48	41.3	6.4
	16	22.6	3.48	26.9	4.23	31.3	5	33.5	5.4	35.7	5.87	39.9	6.63	40.7	6.55
	18	22.6	3.56	26.9	4.32	31.3	5.1	33.5	5.51	35.7	5.99	39.4	6.75	40.2	6.86
	20	22.6	3.61	26.9	4.39	31.3	5.27	33.5	5.8	35.7	6.37	38.8	7.11	39.6	7.22
	21	22.6	3.65	26.9	4.43	31.3	5.45	33.5	6	35.7	6.58	38.5	7.35	39.4	7.42
	23	22.6	3.74	26.9	4.74	31.3	5.85	33.5	6.45	35.7	7.08	38.1	7.78	38.8	7.85
	25	22.6	3.98	26.9	5.04	31.3	6.23	33.5	6.86	35.7	7.57	37.4	8.06	38.3	8.13
	27	22.6	4.25	26.9	5.38	31.3	6.68	33.5	7.36	35.7	8.13	36.9	8.35	37.7	8.42
	29	22.6	4.51	26.9	5.75	31.3	7.15	33.5	7.87	35.5	8.61	36.3	8.75	37.2	8.83
	31	22.6	4.79	26.9	6.12	31.3	7.62	33.5	8.48	35.1	8.96	35.5	9.1	36.6	9.18
	33	22.6	5.1	26.9	6.52	31.3	8.12	33.5	8.98	34.5	9.28	35.3	9.36	36.1	9.45
	35	22.6	5.42	26.9	6.95	31.3	8.66	33.5	9.57	33.9	9.62	34.7	9.7	35.5	9.79
	37	22.6	5.78	26.9	7.4	31.3	9.22	32.9	9.91	33.4	9.96	34.2	10.03	35	10.12
	39	22.6	6.15	26.9	7.88	31.3	9.82	32.5	10.24	32.6	10.29	33.7	10.37	34.2	10.46
41	21.4	6.84	25.6	8.75	29.8	10.91	31.8	11.1	32.2	11.16	33	11.26	33.8	11.36	
44	19.9	7.43	24.2	9.52	28.4	12.13	30.5	12.54	30.9	12.02	31.8	11.84	32.7	11.95	
47	18.8	9.89	23.4	12.66	27.4	12.73	29.4	12.73	29.8	12.79	30.7	12.71	31.6	12.83	
50	17.2	9.71	21	12.43	24.5	13.42	26.2	13.78	26.6	13.66	27.4	13.59	28.4	13.41	
52	13	8.19	15.6	10.49	18.3	11.43	19.8	12.54	20.3	12.31	21.8	12.13	23.1	11.75	

Combination	Outdoor air temp (°C DB)	Indoor air temp													
		14.0°C WB		16.0°C WB		18.0°C WB		19.0°C WB		20.0°C WB		22.0°C WB		24.0°C WB	
		20.0°C DB		23.0°C DB		26.0°C DB		27.0°C DB		28.0°C DB		30.0°C DB		32.0°C DB	
		TC	PI	TC	PI	TC	PI	TC	PI	TC	PI	TC	PI	TC	PI
		kW	kW	kW	kW	kW	kW	kW	kW	kW	kW	kW	kW	kW	
90%	-5	22	2.54	26.8	3.22	34.6	3.97	37.6	4.39	40.2	4.83	42.3	5.17	43.1	5.21
	0	22	2.55	26.8	3.22	34.6	3.98	37.6	4.4	40.2	4.84	42.3	5.18	43.1	5.22
	4	22	2.56	26.8	3.24	34.6	3.99	37.6	4.41	40.2	4.85	42.3	5.19	43.1	5.24
	7	22	2.6	26.8	3.3	34.6	4.07	37.6	4.5	40.2	4.94	41.9	5.29	42.6	5.34
	10	22	2.88	25.9	3.46	29.9	4.05	31.8	4.56	33.8	4.86	37.7	5.57	41.6	6.31
	12	22	2.92	25.9	3.51	29.9	4.11	31.8	4.62	33.8	4.95	37.7	5.66	41.6	6.39
	14	22	2.97	25.9	3.57	29.9	4.18	31.8	4.7	33.8	5.04	37.7	5.76	41.6	6.5
	16	22	3.04	25.9	3.65	29.9	4.27	31.8	4.8	33.8	5.15	37.7	5.89	41.5	6.62
	18	22	3.1	25.9	3.73	29.9	4.35	31.8	4.89	33.8	5.25	37.7	6.03	41.1	6.86
	20	22	3.15	25.9	3.79	29.9	4.5	31.8	4.99	33.8	5.47	37.7	6.48	40.4	7.15
	21	22	3.18	25.9	3.82	29.9	4.65	31.8	5.16	33.8	5.66	37.7	6.7	40.2	7.31
	23	22	3.27	25.9	4.08	29.9	5	31.8	5.55	33.8	6.06	37.7	7.19	39.6	7.68
	25	22	3.47	25.9	4.35	29.9	5.32	31.8	5.92	33.8	6.48	37.7	7.7	39.1	8
	27	22	3.71	25.9	4.64	29.9	5.71	31.8	6.32	33.8	6.94	37.7	8.21	38.5	8.35
	29	22	3.93	25.9	4.96	29.9	6.1	31.8	6.75	33.8	7.4	37.3	8.61	38	8.69
	31	22	4.18	25.9	5.28	29.9	6.51	31.8	7.21	33.8	7.9	36.7	8.92	37.4	9.04
	33	22	4.45	25.9	5.63	29.9	6.94	31.8	7.67	33.8	8.41	36.3	9.28	37	9.37
	35	22	4.73	25.9	5.99	29.9	7.4	31.8	8.17	33.8	8.99	35.7	9.62	36.4	9.71
	37	22	5.04	25.9	6.38	29.9	7.88	31.3	8.47	33.8	9.62	35.1	9.97	35.9	9.94
	39	22	5.37	25.9	6.8	29.9	8.39	30.9	8.75	33.8	10.2	34.6	10.33	35.3	10.31
41	20.9	5.96	24.7	7.55	28.5	9.32	30.3	9.48	32.2	10.43	34	11.16	34.7	11.26	
44	19.6	6.48	23.5	8.21	27.2	10.35	29.1	10.71	31	11.24	32.8	11.74	33.6	11.84	
47	18.6	8.63	22.8	10.92	26.4	10.87	28.1	10.87	29.9	11.96	31.7	12.6	32.6	12.71	
50	17.1	8.47	20.6	10.72	23.7	11.46	25.3	11.77	26.9	12.77	28.5	13.47	29.4	13.3	
52	13.4	7.15	15.7	9.05	18.2	9.76	19.5	10.71	20.9	11.51	23.1	12.02	24.2	11.65	

Dc Inverter Multi VRF System Technical Sales Guide

Combination	Outdoor air temp (°C DB)	Indoor air temp													
		14.0°C WB		16.0°C WB		18.0°C WB		19.0°C WB		20.0°C WB		22.0°C WB		24.0°C WB	
		20.0°C DB		23.0°C DB		26.0°C DB		27.0°C DB		28.0°C DB		30.0°C DB		32.0°C DB	
		TC	PI	TC	PI	TC	PI	TC	PI	TC	PI	TC	PI	TC	PI
		kW	kW	kW	kW	kW	kW	kW	kW	kW	kW	kW	kW	kW	
80%	-5	19.8	2.2	24.1	2.71	31	3.37	33.6	3.71	35.8	4.05	40	4.81	42.1	5.15
	0	19.8	2.2	24.1	2.71	31	3.37	33.6	3.71	35.8	4.06	40	4.82	42.1	5.16
	4	19.8	2.21	24.1	2.72	31	3.38	33.6	3.73	35.8	4.07	40	4.83	42.1	5.18
	7	19.8	2.25	24.1	2.77	31	3.45	33.6	3.79	35.8	4.15	39.6	4.92	41.6	5.28
	10	19.8	2.62	23.2	3.13	26.8	3.69	28.5	3.97	30.2	4.25	33.7	4.86	37.2	5.64
	12	19.8	2.66	23.2	3.19	26.8	3.75	28.5	4.05	30.2	4.34	33.7	4.94	37.2	5.6
	14	19.8	2.71	23.2	3.25	26.8	3.82	28.5	4.11	30.2	4.42	33.7	5.03	37.2	5.72
	16	19.8	2.75	23.2	3.3	26.8	3.9	28.5	4.19	30.2	4.48	33.7	5.14	37.2	5.93
	18	19.8	2.8	23.2	3.37	26.8	3.98	28.5	4.28	30.2	4.57	33.7	5.26	37.2	6.34
	20	19.8	2.85	23.2	3.43	26.8	4.05	28.5	4.36	30.2	4.67	33.7	5.45	37.2	6.57
	21	19.8	2.88	23.2	3.46	26.8	4.09	28.5	4.41	30.2	4.78	33.7	5.65	37.2	7.04
	23	19.8	2.93	23.2	3.53	26.8	4.28	28.5	4.69	30.2	5.11	33.7	6.04	37.2	7.53
	25	19.8	3.02	23.2	3.75	26.8	4.58	28.5	5.02	30.2	5.45	33.7	6.47	37.2	8.03
	27	19.8	3.21	23.2	4	26.8	4.88	28.5	5.35	30.2	5.85	33.7	6.9	37.2	8.32
	29	19.8	3.42	23.2	4.26	26.8	5.2	28.5	5.7	30.1	6.24	33.7	7.36	37.2	8.62
	31	19.8	3.62	23.2	4.53	26.8	5.53	28.5	6.07	30.1	6.65	33.7	7.86	36.6	8.93
	33	19.8	3.86	23.2	5.04	26.8	5.89	28.5	6.47	30.1	7.08	33.7	8.39	36.1	9.26
	35	19.8	4.09	23.2	5.04	26.8	6.27	28.5	6.9	30.1	7.54	33.7	8.95	35.5	9.59
	37	19.8	4.33	23.2	5.43	26.8	6.67	28	7.35	30.1	8.03	33.7	9.53	35.1	9.95
	39	19.8	4.59	23.2	5.77	26.8	7.09	27.6	7.83	30.1	8.55	33.7	10.15	34.5	10.31
41	18.8	5.15	22.1	6.35	25.5	7.9	27.1	8	28.7	8.75	32.2	10.38	33.9	11.13	
44	17.6	5.6	21.1	6.91	24.4	8.78	26.1	9.04	27.6	9.43	31	10.92	32.8	11.7	
47	16.7	7.45	20.4	9.19	23.6	9.21	25.2	9.18	26.7	10.03	30	11.73	31.8	12.56	
50	15.4	7.32	18.5	9.03	21.3	9.72	22.7	9.94	24	10.71	27	12.53	28.8	13.14	
52	12.1	6.17	14.2	7.61	16.3	8.27	17.5	9.04	18.7	9.65	21.9	11.19	23.7	11.51	

Combination	Outdoor air temp (°C DB)	Indoor air temp													
		14.0°C WB		16.0°C WB		18.0°C WB		19.0°C WB		20.0°C WB		22.0°C WB		24.0°C WB	
		20.0°C DB		23.0°C DB		26.0°C DB		27.0°C DB		28.0°C DB		30.0°C DB		32.0°C DB	
		TC	PI	TC	PI	TC	PI	TC	PI	TC	PI	TC	PI	TC	PI
		kW	kW	kW	kW	kW	kW	kW	kW	kW	kW	kW	kW	kW	
70%	-5	17.5	1.87	21.3	2.31	27.3	2.81	29.6	3.08	31.6	3.35	35.2	3.95	38.8	4.59
	0	17.5	1.87	21.3	2.32	27.3	2.81	29.6	3.08	31.6	3.36	35.2	3.96	38.8	4.6
	4	17.5	1.88	21.3	2.33	27.3	2.82	29.6	3.09	31.6	3.37	35.2	3.97	38.8	4.62
	7	17.5	1.92	21.3	2.37	27.3	2.87	29.6	3.15	31.6	3.43	34.9	4.04	38.4	4.7
	10	17.5	2.31	20.5	2.73	23.6	3.19	25.1	3.43	26.6	3.68	29.7	4.18	32.8	4.69
	12	17.5	2.33	20.5	2.77	23.6	3.25	25.1	3.5	26.6	3.74	29.7	4.26	32.8	4.79
	14	17.5	2.37	20.5	2.82	23.6	3.3	25.1	3.55	26.6	3.8	29.7	4.33	32.8	4.88
	16	17.5	2.41	20.5	2.88	23.6	3.37	25.1	3.62	26.6	3.88	29.7	4.41	32.8	4.97
	18	17.5	2.45	20.5	2.93	23.6	3.43	25.1	3.69	26.6	3.95	29.7	4.5	32.8	5.07
	20	17.5	2.49	20.5	2.98	23.6	3.5	25.1	3.75	26.6	4.02	29.7	4.59	32.8	5.21
	21	17.5	2.52	20.5	3.01	23.6	3.52	25.1	3.79	26.6	4.06	29.7	4.64	32.8	5.39
	23	17.5	2.55	20.5	3.06	23.6	3.6	25.1	3.92	26.6	4.27	29.7	4.99	32.8	5.78
	25	17.5	2.61	20.5	3.19	23.6	3.83	25.1	4.19	26.6	4.55	29.7	5.34	32.8	6.18
	27	17.5	2.76	20.5	3.39	23.6	4.09	25.1	4.46	26.6	4.86	29.7	5.7	32.8	6.6
	29	17.5	2.93	20.5	3.6	23.6	4.35	25.1	4.76	26.6	5.17	29.7	6.07	32.8	7.05
	31	17.5	3.1	20.5	3.82	23.6	4.63	25.1	5.06	26.6	5.51	29.7	6.47	32.8	7.52
	33	17.5	3.29	20.5	4.06	23.6	4.93	25.1	5.38	26.6	5.87	29.7	6.9	32.8	8.02
	35	17.5	3.48	20.5	4.31	23.6	5.22	25.1	5.73	26.6	6.24	29.7	7.35	32.8	8.55
	37	17.5	3.68	20.5	4.57	23.6	5.56	24.7	6.09	26.6	6.64	29.7	7.83	32.8	9.11
	39	17.5	3.9	20.5	4.84	23.6	5.89	24.4	6.46	26.6	7.05	29.7	8.32	32.8	9.7
41	16.6	4.39	19.6	5.43	22.5	6.58	24	6.64	25.4	7.24	28.4	8.53	31.3	9.92	
44	15.6	4.77	18.6	5.9	21.5	7.31	23	7.5	24.5	7.8	27.4	8.97	30.3	10.43	
47	14.8	6.35	18.1	7.85	20.9	7.68	22.3	7.62	23.6	8.3	26.5	9.63	29.4	11.2	
50	13.7	6.23	16.4	7.71	18.8	8.1	20	8.25	21.3	8.86	23.8	10.29	26.6	11.71	
52	10.8	5.26	12.6	6.5	14.5	6.9	15.5	7.5	16.6	7.99	19.3	9.19	21.9	10.26	

Dc Inverter Multi VRF System Technical Sales Guide

Combination	Outdoor air temp (°C DB)	Indoor air temp													
		14.0°C WB		16.0°C WB		18.0°C WB		19.0°C WB		20.0°C WB		22.0°C WB		24.0°C WB	
		20.0°C DB		23.0°C DB		26.0°C DB		27.0°C DB		28.0°C DB		30.0°C DB		32.0°C DB	
		TC	PI	TC	PI	TC	PI	TC	PI	TC	PI	TC	PI	TC	PI
		kW	kW	kW	kW	kW	kW	kW	kW	kW	kW	kW	kW	kW	
60%	-5	15.2	1.57	18.5	1.92	23.6	2.3	25.6	2.51	27.3	2.72	30.4	3.18	33.6	3.67
	0	15.2	1.58	18.5	1.92	23.6	2.3	25.6	2.51	27.3	2.73	30.4	3.18	33.6	3.68
	4	15.2	1.58	18.5	1.93	23.6	2.31	25.6	2.52	27.3	2.74	30.4	3.2	33.6	3.69
	7	15.2	1.61	18.5	1.96	23.6	2.36	25.6	2.57	27.3	2.79	30.1	3.26	33.1	3.76
	10	15.2	2	17.8	2.35	20.5	2.72	21.8	2.91	23.1	3.11	25.7	3.52	28.4	3.95
	12	15.2	2.04	17.8	2.39	20.5	2.77	21.8	2.97	23.1	3.16	25.7	3.59	28.4	4.01
	14	15.2	2.06	17.8	2.42	20.5	2.81	21.8	3.02	23.1	3.22	25.7	3.65	28.4	4.09
	16	15.2	2.09	17.8	2.46	20.5	2.86	21.8	3.07	23.1	3.28	25.7	3.71	28.4	4.17
	18	15.2	2.13	17.8	2.5	20.5	2.91	21.8	3.12	23.1	3.34	25.7	3.78	28.4	4.24
	20	15.2	2.15	17.8	2.55	20.5	2.97	21.8	3.19	23.1	3.4	25.7	3.86	28.4	4.33
	21	15.2	2.18	17.8	2.57	20.5	2.99	21.8	3.21	23.1	3.43	25.7	3.9	28.4	4.37
	23	15.2	2.21	17.8	2.62	20.5	3.04	21.8	3.28	23.1	3.5	25.7	4.05	28.4	4.66
	25	15.2	2.24	17.8	2.67	20.5	3.16	21.8	3.43	23.1	3.71	25.7	4.32	28.4	4.97
	27	15.2	2.33	17.8	2.82	20.5	3.37	21.8	3.66	23.1	3.96	25.7	4.6	28.4	5.3
	29	15.2	2.46	17.8	2.99	20.5	3.59	21.8	3.9	23.1	4.22	25.7	4.91	28.4	5.66
	31	15.2	2.62	17.8	3.19	20.5	3.8	21.8	4.14	23.1	4.49	25.7	5.22	28.4	6.02
	33	15.2	2.76	17.8	3.37	20.5	4.04	21.8	4.4	23.1	4.77	25.7	5.56	28.4	6.42
	35	15.2	2.93	17.8	3.57	20.5	4.28	21.8	4.67	23.1	5.07	25.7	5.92	28.4	6.84
	37	15.2	3.1	17.8	3.78	20.5	4.54	21.4	4.95	23.1	5.38	25.7	6.29	28.4	7.27
	39	15.2	3.26	17.8	4	20.5	4.81	21.1	5.25	23.1	5.71	25.7	6.68	28.4	7.74
41	14.5	3.69	17	4.5	19.5	5.4	20.8	5.42	22	5.88	24.6	6.87	27.1	7.93	
44	13.6	4.01	16.2	4.89	18.7	5.99	20	6.12	21.2	6.34	23.7	7.22	26.2	8.34	
47	12.9	5.34	15.7	6.51	18.1	6.29	19.3	6.21	20.5	6.74	23	7.76	25.4	8.95	
50	12	5.24	14.3	6.4	16.4	6.64	17.4	6.72	18.5	7.2	20.7	8.29	23	9.36	
52	9.5	4.42	11	5.39	12.7	5.65	13.5	6.12	14.5	6.49	16.8	7.4	19	8.2	

Combination	Outdoor air temp (°C DB)	Indoor air temp													
		14.0°C WB		16.0°C WB		18.0°C WB		19.0°C WB		20.0°C WB		22.0°C WB		24.0°C WB	
		20.0°C DB		23.0°C DB		26.0°C DB		27.0°C DB		28.0°C DB		30.0°C DB		32.0°C DB	
		TC	PI	TC	PI	TC	PI	TC	PI	TC	PI	TC	PI	TC	PI
		kW	kW	kW	kW	kW	kW	kW	kW	kW	kW	kW	kW	kW	
50%	-5	13	1.3	15.7	1.56	20	1.84	21.7	1.99	23	2.15	25.6	2.49	28.3	2.85
	0	13	1.3	15.7	1.56	20	1.85	21.7	2	23	2.16	25.6	2.5	28.3	2.86
	4	13	1.31	15.7	1.57	20	1.85	21.7	2.01	23	2.17	25.6	2.51	28.3	2.87
	7	13	1.33	15.7	1.6	20	1.89	21.7	2.04	23	2.21	25.4	2.55	27.9	2.92
	10	13	1.73	15.1	2	17.3	2.28	18.4	2.44	19.5	2.58	21.7	2.9	23.9	3.24
	12	13	1.74	15.1	2.02	17.3	2.32	18.4	2.46	19.5	2.63	21.7	2.95	23.9	3.29
	14	13	1.77	15.1	2.05	17.3	2.35	18.4	2.52	19.5	2.67	21.7	3.01	23.9	3.35
	16	13	1.79	15.1	2.08	17.3	2.39	18.4	2.55	19.5	2.71	21.7	3.06	23.9	3.4
	18	13	1.82	15.1	2.12	17.3	2.42	18.4	2.59	19.5	2.76	21.7	3.11	23.9	3.47
	20	13	1.84	15.1	2.14	17.3	2.46	18.4	2.64	19.5	2.81	21.7	3.17	23.9	3.53
	21	13	1.86	15.1	2.17	17.3	2.49	18.4	2.66	19.5	2.84	21.7	3.2	23.9	3.57
	23	13	1.88	15.1	2.19	17.3	2.53	18.4	2.71	19.5	2.89	21.7	3.25	23.9	3.65
	25	13	1.91	15.1	2.23	17.3	2.58	18.4	2.76	19.5	2.98	21.7	3.42	23.9	3.9
	27	13	1.95	15.1	2.32	17.3	2.72	18.4	2.94	19.5	3.16	21.7	3.64	23.9	4.15
	29	13	2.05	15.1	2.45	17.3	2.89	18.4	3.12	19.4	3.37	21.7	3.87	23.9	4.42
	31	13	2.17	15.1	2.59	17.3	3.08	18.4	3.31	19.4	3.57	21.7	4.11	23.9	4.71
	33	13	2.3	15.1	2.75	17.3	3.25	18.4	3.51	19.4	3.79	21.7	4.37	23.9	5
	35	13	2.42	15.1	2.9	17.3	3.43	18.4	3.71	19.4	4.01	21.7	4.64	23.9	5.31
	37	13	2.55	15.1	3.07	17.3	3.64	18.1	3.93	19.4	4.26	21.7	4.93	23.9	5.65
	39	13	2.7	15.1	3.24	17.3	3.84	17.9	4.17	19.4	4.51	21.7	5.22	23.9	6
41	12.4	3.06	14.5	3.66	16.6	4.32	17.6	4.31	18.6	4.65	20.7	5.39	22.9	6.16	
44	11.6	3.32	13.8	3.98	15.9	4.8	16.9	4.87	17.9	5.01	20	5.66	22.1	6.48	
47	11.1	4.42	13.4	5.29	15.4	5.04	16.4	4.94	17.3	5.33	19.4	6.08	21.5	6.96	
50	10.3	4.34	12.2	5.19	13.9	5.32	14.8	5.35	15.6	5.7	17.5	6.5	19.5	7.28	
52	8.2	3.66	9.5	4.38	10.8	4.53	11.6	4.87	12.3	5.13	14.3	5.8	16.1	6.38	

Dc Inverter Multi VRF System Technical Sales Guide

GMV-335WL/C1-X

TC—Total capacity of outdoor unit; PI—Power input of outdoor unit

Combination	Outdoor air temp (°C DB)	Indoor air temp													
		14.0°C WB		16.0°C WB		18.0°C WB		19.0°C WB		20.0°C WB		22.0°C WB		24.0°C WB	
		20.0°C DB		23.0°C DB		26.0°C DB		27.0°C DB		28.0°C DB		30.0°C DB		32.0°C DB	
		TC	PI	TC	PI	TC	PI	TC	PI	TC	PI	TC	PI	TC	PI
		kW	kW	kW	kW	kW	kW	kW	kW	kW	kW	kW	kW	kW	
135%	-5	29.4	5.70	35.1	6.94	40.7	7.02	42.2	7.06	43.1	7.09	44.1	7.18	45.5	7.25
	0	29.4	5.71	35.1	6.95	40.7	7.03	42.2	7.07	43.1	7.11	44.1	7.19	45.5	7.27
	4	29.4	5.73	35.1	6.97	40.7	7.06	42.2	7.10	43.1	7.13	44.1	7.22	45.5	7.29
	7	29.4	5.83	35.1	7.10	40.7	7.19	42.2	7.23	43.1	7.27	43.8	7.35	44.9	7.43
	10	29.4	5.94	35.1	7.26	40.7	8.63	42.2	8.82	42.7	8.64	43.8	8.54	44.9	8.48
	12	29.4	6.04	35.1	7.39	40.7	8.80	41.6	8.77	42.2	8.59	43.2	8.60	44.3	8.48
	14	29.4	6.16	35.1	7.53	40.6	8.90	41.2	8.73	41.6	8.54	42.7	8.63	43.8	8.56
	16	29.4	6.27	35.1	7.69	40.1	8.87	40.6	8.80	41.0	8.84	42.1	8.92	43.2	9.01
	18	29.4	6.39	35.1	7.85	39.5	9.20	40.0	9.25	40.6	9.30	41.6	9.39	42.7	9.48
	20	29.4	6.53	35.1	8.35	38.9	9.65	39.5	9.70	40.0	9.76	41.0	9.84	42.1	9.95
	21	29.4	6.70	35.1	8.64	38.6	9.88	39.2	9.93	39.7	9.98	40.8	10.09	41.9	10.17
	23	29.4	7.19	35.1	9.27	38.2	10.33	38.6	10.38	39.1	10.43	40.2	10.54	41.3	10.64
	25	29.4	7.67	35.1	9.93	37.6	10.78	38.2	10.83	38.6	10.90	39.7	11.01	40.8	11.11
	27	29.4	8.19	35.1	10.62	37.1	11.17	37.6	11.30	38.0	11.35	39.1	11.47	40.2	11.60
	29	29.4	8.75	35.1	11.35	36.5	11.68	37.0	11.75	37.6	11.82	38.6	11.94	39.7	12.06
	31	29.4	9.34	34.9	12.01	35.9	12.15	36.5	12.22	37.0	12.27	38.0	12.41	39.1	12.55
	33	29.4	9.95	34.3	12.46	35.4	12.58	35.9	12.67	36.5	12.74	37.6	12.88	38.5	13.04
	35	29.4	10.61	33.7	12.91	34.8	13.07	35.4	13.14	35.9	13.21	37.0	13.37	38.0	13.50
	37	29.4	11.28	33.3	13.38	34.3	13.54	34.8	13.61	35.4	13.70	36.4	13.85	37.4	14.01
	39	29.4	12.01	32.7	13.83	33.7	13.99	34.3	14.08	34.8	14.16	35.9	14.32	37.0	14.49
41	27.8	13.36	32.1	16.27	33.1	16.47	33.7	15.24	34.1	15.32	35.2	15.50	36.3	15.67	
44	25.9	14.53	30.4	17.69	31.5	18.30	32.2	17.21	32.8	16.51	33.9	16.31	35.0	16.48	
47	24.4	19.33	29.4	23.54	30.5	19.21	31.1	17.48	31.6	17.57	32.7	17.51	33.9	17.69	
50	22.4	18.98	26.3	23.12	27.2	20.26	27.7	18.92	28.2	18.76	29.2	18.71	30.4	18.50	
52	17.0	16.02	19.6	19.50	20.4	17.25	20.9	17.21	21.5	16.91	23.3	16.71	24.7	16.21	

Combination	Outdoor air temp (°C DB)	Indoor air temp													
		14.0°C WB		16.0°C WB		18.0°C WB		19.0°C WB		20.0°C WB		22.0°C WB		24.0°C WB	
		20.0°C DB		23.0°C DB		26.0°C DB		27.0°C DB		28.0°C DB		30.0°C DB		32.0°C DB	
		TC	PI	TC	PI	TC	PI	TC	PI	TC	PI	TC	PI	TC	PI
		kW	kW	kW	kW	kW	kW	kW	kW	kW	kW	kW	kW	kW	
120%	-5	27.2	5.07	33.6	6.56	40.0	6.97	41.4	7.01	42.4	7.05	43.3	7.12	44.5	7.20
	0	27.2	5.08	33.6	6.57	40.0	6.99	41.4	7.02	42.4	7.06	43.3	7.13	44.5	7.21
	4	27.2	5.10	33.6	6.60	40.0	7.01	41.4	7.05	42.4	7.09	43.3	7.16	44.5	7.24
	7	27.2	5.19	33.6	6.72	40.0	7.14	41.4	7.18	42.4	7.22	42.9	7.29	43.9	7.37
	10	27.2	5.42	32.3	6.61	37.6	7.86	40.2	8.51	42.1	8.61	43.1	8.52	44.0	8.39
	12	27.2	5.52	32.3	6.74	37.6	8.02	40.2	8.66	41.5	8.56	42.5	8.49	43.4	8.40
	14	27.2	5.62	32.3	6.87	37.6	8.18	40.2	8.72	40.9	8.51	42.0	8.44	43.0	8.49
	16	27.2	5.73	32.3	7.01	37.6	8.33	40.0	8.76	40.4	8.78	41.4	8.87	42.4	8.94
	18	27.2	5.83	32.3	7.15	37.6	8.63	39.4	9.20	39.8	9.23	40.8	9.32	41.9	9.41
	20	27.2	5.95	32.3	7.43	37.6	9.27	38.9	9.65	39.4	9.69	40.3	9.77	41.3	9.86
	21	27.2	6.01	32.3	7.69	37.6	9.60	38.5	9.88	39.0	9.91	40.1	10.00	41.0	10.10
	23	27.2	6.42	32.3	8.25	37.6	10.28	38.0	10.31	38.5	10.36	39.5	10.47	40.4	10.55
	25	27.2	6.86	32.3	8.82	37.0	10.73	37.4	10.76	37.9	10.81	39.0	10.92	40.0	11.02
	27	27.2	7.33	32.3	9.43	36.5	11.16	37.0	11.23	37.4	11.28	38.4	11.39	39.4	11.49
	29	27.2	7.81	32.3	10.07	35.9	11.61	36.4	11.68	36.9	11.73	37.8	11.86	38.9	11.96
	31	27.2	8.33	32.3	10.74	35.4	12.08	35.9	12.13	36.4	12.20	37.3	12.32	38.3	12.45
	33	27.2	8.87	32.3	11.47	34.8	12.53	35.3	12.60	35.8	12.65	36.7	12.79	37.7	12.91
	35	27.2	9.44	32.3	12.22	34.2	12.98	34.7	13.05	35.3	13.12	36.3	13.26	37.2	13.40
	37	27.2	10.05	32.3	13.02	33.7	13.45	34.2	13.52	34.7	13.59	35.7	13.73	36.6	13.89
	39	27.2	10.69	32.2	13.75	33.1	13.90	33.6	13.99	34.1	14.06	35.2	14.22	36.1	14.36
41	25.7	11.90	30.7	15.40	32.5	16.36	33.0	15.14	33.6	15.22	34.5	15.38	35.5	15.54	
44	23.9	12.94	29.1	16.74	31.0	18.18	31.6	17.10	32.2	16.40	33.2	16.18	34.2	16.35	
47	22.5	17.21	28.1	22.28	29.9	19.09	30.5	17.36	31.1	17.45	32.1	17.37	33.1	17.55	
50	20.6	16.90	25.2	21.87	26.7	20.13	27.2	18.80	27.7	18.63	28.6	18.57	29.8	18.36	
52	15.6	14.26	18.7	18.45	20.0	17.14	20.5	17.10	21.2	16.80	22.8	16.58	24.2	16.08	

Dc Inverter Multi VRF System Technical Sales Guide

Combination	Outdoor air temp (°C DB)	Indoor air temp													
		14.0°C WB		16.0°C WB		18.0°C WB		19.0°C WB		20.0°C WB		22.0°C WB		24.0°C WB	
		20.0°C DB		23.0°C DB		26.0°C DB		27.0°C DB		28.0°C DB		30.0°C DB		32.0°C DB	
		TC	PI	TC	PI	TC	PI	TC	PI	TC	PI	TC	PI	TC	PI
		kW	kW	kW	kW	kW	kW	kW	kW	kW	kW	kW	kW	kW	
110%	-5	24.9	4.48	30.8	5.77	39.4	6.93	40.7	6.96	41.5	7.00	42.3	7.07	43.5	7.13
	0	24.9	4.49	30.8	5.78	39.4	6.94	40.7	6.98	41.5	7.01	42.3	7.08	43.5	7.14
	4	24.9	4.51	30.8	5.80	39.4	6.96	40.7	7.00	41.5	7.04	42.3	7.11	43.5	7.17
	7	24.9	4.59	30.8	5.91	39.4	7.09	40.7	7.13	41.5	7.17	41.9	7.24	42.9	7.30
	10	24.9	4.91	29.7	5.99	34.5	7.12	36.9	7.69	39.2	8.28	42.2	8.47	43.2	8.36
	12	24.9	5.02	29.7	6.11	34.5	7.26	36.9	7.85	39.2	8.44	41.8	8.48	42.6	8.40
	14	24.9	5.10	29.7	6.21	34.5	7.39	36.9	7.98	39.2	8.48	41.2	8.40	42.1	8.42
	16	24.9	5.19	29.7	6.34	34.5	7.53	36.9	8.14	39.2	8.77	40.7	8.80	41.5	8.89
	18	24.9	5.29	29.7	6.46	34.5	7.69	36.9	8.37	39.2	9.18	40.1	9.25	41.0	9.34
	20	24.9	5.40	29.7	6.60	34.5	8.14	36.9	8.99	38.6	9.63	39.6	9.70	40.4	9.79
	21	24.9	5.45	29.7	6.79	34.5	8.44	36.9	9.32	38.4	9.86	39.2	9.93	40.2	10.02
	23	24.9	5.71	29.7	7.27	34.5	9.04	36.9	10.00	37.8	10.29	38.8	10.40	39.6	10.48
	25	24.9	6.08	29.7	7.78	34.5	9.67	36.9	10.71	37.3	10.74	38.2	10.85	39.1	10.94
	27	24.9	6.49	29.7	8.31	34.5	10.35	36.3	11.16	36.7	11.20	37.7	11.30	38.5	11.40
	29	24.9	6.93	29.7	8.87	34.5	11.06	35.8	11.61	36.3	11.66	37.1	11.77	38.0	11.87
	31	24.9	7.38	29.7	9.46	34.5	11.80	35.2	12.06	35.7	12.12	36.6	12.22	37.4	12.34
	33	24.9	7.85	29.7	10.09	34.2	12.45	34.7	12.52	35.2	12.57	36.0	12.69	37.0	12.81
	35	24.9	8.35	29.7	10.74	33.7	12.90	34.1	12.97	34.6	13.04	35.4	13.16	36.4	13.28
	37	24.9	8.89	29.7	11.44	33.1	13.37	33.6	13.42	34.0	13.49	34.9	13.63	35.8	13.75
	39	24.9	9.44	29.7	12.19	32.5	13.82	33.0	13.89	33.5	13.96	34.3	14.10	35.3	14.23
41	23.5	10.52	28.2	13.54	32.1	16.25	32.4	15.04	32.9	15.12	33.7	15.26	34.7	15.40	
44	21.9	11.44	26.7	14.72	30.5	18.06	31.0	16.99	31.6	16.30	32.4	16.05	33.5	16.20	
47	20.7	15.22	25.8	19.59	29.5	18.96	29.9	17.25	30.4	17.34	31.3	17.24	32.4	17.40	
50	18.9	14.95	23.1	19.23	26.4	19.99	26.7	18.67	27.1	18.51	28.0	18.42	29.1	18.19	
52	14.3	12.61	17.2	16.22	19.7	17.02	20.1	16.99	20.7	16.69	22.3	16.45	23.6	15.94	

Combination	Outdoor air temp (°C DB)	Indoor air temp													
		14.0°C WB		16.0°C WB		18.0°C WB		19.0°C WB		20.0°C WB		22.0°C WB		24.0°C WB	
		20.0°C DB		23.0°C DB		26.0°C DB		27.0°C DB		28.0°C DB		30.0°C DB		32.0°C DB	
		TC	PI	TC	PI	TC	PI	TC	PI	TC	PI	TC	PI	TC	PI
		kW	kW	kW	kW	kW	kW	kW	kW	kW	kW	kW	kW	kW	
100%	-5	22.6	3.92	28.0	5.02	36.6	6.26	40.0	6.92	40.6	6.95	41.4	7.01	42.4	7.08
	0	22.6	3.93	28.0	5.03	36.6	6.27	40.0	6.93	40.6	6.96	41.4	7.03	42.4	7.09
	4	22.6	3.94	28.0	5.05	36.6	6.29	40.0	6.96	40.6	6.99	41.4	7.05	42.4	7.12
	7	22.6	4.02	28.0	5.14	36.6	6.41	40.0	7.08	40.6	7.12	41.1	7.18	41.9	7.25
	10	22.6	4.44	26.9	5.40	31.3	6.39	33.5	6.89	35.7	7.45	40.1	8.43	42.3	8.36
	12	22.6	4.50	26.9	5.47	31.3	6.47	33.5	6.99	35.7	7.59	40.1	8.38	41.7	8.38
	14	22.6	4.58	26.9	5.56	31.3	6.58	33.5	7.11	35.7	7.73	40.1	8.39	41.3	8.40
	16	22.6	4.68	26.9	5.69	31.3	6.73	33.5	7.27	35.7	7.90	39.9	8.79	40.7	8.81
	18	22.6	4.79	26.9	5.82	31.3	6.86	33.5	7.41	35.7	8.06	39.4	9.09	40.2	9.23
	20	22.6	4.86	26.9	5.91	31.3	7.09	33.5	7.80	35.7	8.57	38.8	9.57	39.6	9.71
	21	22.6	4.91	26.9	5.97	31.3	7.33	33.5	8.07	35.7	8.86	38.5	9.89	39.4	9.98
	23	22.6	5.04	26.9	6.37	31.3	7.88	33.5	8.68	35.7	9.53	38.1	10.39	38.8	10.47
	25	22.6	5.36	26.9	6.78	31.3	8.38	33.5	9.23	35.7	10.19	37.4	10.84	38.3	10.92
	27	22.6	5.72	26.9	7.24	31.3	8.99	33.5	9.91	35.7	10.94	36.9	11.23	37.7	11.33
	29	22.6	6.06	26.9	7.74	31.3	9.62	33.5	10.59	35.5	11.58	36.3	11.75	37.2	11.85
	31	22.6	6.45	26.9	8.24	31.3	10.26	33.5	11.42	35.1	12.05	35.5	12.20	36.6	12.34
	33	22.6	6.86	26.9	8.78	31.3	10.93	33.5	12.08	34.5	12.49	35.3	12.60	36.1	12.72
	35	22.6	7.30	26.9	9.35	31.3	11.66	33.5	12.88	33.9	12.94	34.7	13.06	35.5	13.18
	37	22.6	7.78	26.9	9.96	31.3	12.41	32.9	13.34	33.4	13.41	34.2	13.50	35.0	13.63
	39	22.6	8.28	26.9	10.60	31.3	13.22	32.5	13.78	32.6	13.85	33.7	13.95	34.2	14.08
41	21.4	9.20	25.6	11.78	29.8	14.69	31.8	14.94	32.2	15.02	33.0	15.15	33.8	15.29	
44	19.9	10.00	24.2	12.81	28.4	16.32	30.5	16.87	30.9	16.18	31.8	15.93	32.7	16.08	
47	18.8	13.31	23.4	17.04	27.4	17.13	29.4	17.13	29.8	17.22	30.7	17.11	31.6	17.26	
50	17.2	13.07	21.0	16.73	24.5	18.07	26.2	18.55	26.6	18.38	27.4	18.29	28.4	18.05	
52	13.0	11.02	15.6	14.12	18.3	15.39	19.8	16.87	20.3	16.57	21.8	16.33	23.1	15.81	

Dc Inverter Multi VRF System Technical Sales Guide

Combination	Outdoor air temp (°C DB)	Indoor air temp													
		14.0°C WB		16.0°C WB		18.0°C WB		19.0°C WB		20.0°C WB		22.0°C WB		24.0°C WB	
		20.0°C DB		23.0°C DB		26.0°C DB		27.0°C DB		28.0°C DB		30.0°C DB		32.0°C DB	
		TC	PI	TC	PI	TC	PI	TC	PI	TC	PI	TC	PI	TC	PI
		kW	kW	kW	kW	kW	kW	kW	kW	kW	kW	kW	kW	kW	
90%	-5	22.0	3.42	26.8	4.33	34.6	5.35	37.6	5.91	40.2	6.50	40.6	6.95	42.2	7.01
	0	22.0	3.43	26.8	4.34	34.6	5.36	37.6	5.92	40.2	6.51	40.6	6.97	42.2	7.03
	4	22.0	3.44	26.8	4.35	34.6	5.38	37.6	5.94	40.2	6.53	40.6	6.99	42.2	7.05
	7	22.0	3.50	26.8	4.43	34.6	5.48	37.6	6.05	40.2	6.65	40.6	7.12	41.6	7.18
	10	22.0	3.88	25.9	4.66	29.9	5.45	31.8	6.14	33.8	6.54	37.7	7.49	41.6	8.23
	12	22.0	3.93	25.9	4.72	29.9	5.53	31.8	6.22	33.8	6.67	37.7	7.62	41.6	8.34
	14	22.0	4.00	25.9	4.80	29.9	5.62	31.8	6.32	33.8	6.78	37.7	7.76	40.6	8.36
	16	22.0	4.09	25.9	4.91	29.9	5.75	31.8	6.46	33.8	6.94	37.7	7.93	40.4	8.40
	18	22.0	4.18	25.9	5.02	29.9	5.86	31.8	6.59	33.8	7.07	37.7	8.12	40.0	8.85
	20	22.0	4.24	25.9	5.09	29.9	6.05	31.8	6.72	33.8	7.36	37.7	8.72	39.3	9.62
	21	22.0	4.28	25.9	5.15	29.9	6.26	31.8	6.95	33.8	7.62	37.7	9.02	39.1	9.84
	23	22.0	4.39	25.9	5.50	29.9	6.73	31.8	7.47	33.8	8.15	37.7	9.68	38.5	10.34
	25	22.0	4.67	25.9	5.85	29.9	7.16	31.8	7.97	33.8	8.72	37.4	10.36	38.0	10.76
	27	22.0	4.99	25.9	6.25	29.9	7.68	31.8	8.51	33.8	9.34	36.8	11.05	37.4	11.23
	29	22.0	5.29	25.9	6.68	29.9	8.22	31.8	9.09	33.8	9.96	36.2	11.59	36.9	11.69
	31	22.0	5.63	25.9	7.11	29.9	8.76	31.8	9.70	33.8	10.63	35.4	12.01	36.6	12.16
	33	22.0	5.99	25.9	7.57	29.9	9.34	31.8	10.32	33.8	11.31	35.3	12.49	35.9	12.61
	35	22.0	6.37	25.9	8.06	29.9	9.95	31.8	11.00	33.8	12.10	34.6	12.95	35.3	13.06
	37	22.0	6.78	25.9	8.59	29.9	10.60	31.3	11.40	33.4	12.95	34.1	13.41	34.8	13.38
	39	22.0	7.22	25.9	9.15	29.9	11.29	30.9	11.77	32.4	13.72	33.7	13.91	34.2	13.87
41	20.9	8.03	24.7	10.16	28.5	12.54	30.3	12.76	32.2	14.04	32.9	15.02	33.6	15.15	
44	19.6	8.73	23.5	11.05	27.2	13.94	29.1	14.41	30.3	15.12	31.7	15.79	32.5	15.94	
47	18.6	11.61	22.8	14.70	26.4	14.63	28.1	14.63	29.2	16.09	30.6	16.96	31.4	17.11	
50	17.1	11.40	20.6	14.43	23.7	15.43	25.3	15.84	26.2	17.18	27.3	18.13	28.3	17.90	
52	13.4	9.62	15.7	12.18	18.2	13.14	19.5	14.41	20.3	15.49	21.8	16.18	23.1	15.68	

Combination	Outdoor air temp (°C DB)	Indoor air temp													
		14.0°C WB		16.0°C WB		18.0°C WB		19.0°C WB		20.0°C WB		22.0°C WB		24.0°C WB	
		20.0°C DB		23.0°C DB		26.0°C DB		27.0°C DB		28.0°C DB		30.0°C DB		32.0°C DB	
		TC	PI	TC	PI	TC	PI	TC	PI	TC	PI	TC	PI	TC	PI
	kW	kW	kW	kW	kW	kW	kW	kW	kW	kW	kW	kW	kW	kW	
80%	-5	19.8	2.95	24.1	3.64	31.0	4.53	33.6	4.99	35.8	5.45	40.0	6.47	42.1	6.93
	0	19.8	2.96	24.1	3.65	31.0	4.54	33.6	5.00	35.8	5.46	40.0	6.48	42.1	6.94
	4	19.8	2.97	24.1	3.67	31.0	4.56	33.6	5.01	35.8	5.48	40.0	6.51	42.1	6.97
	7	19.8	3.03	24.1	3.73	31.0	4.64	33.6	5.11	35.8	5.58	39.6	6.63	41.6	7.10
	10	19.8	3.52	23.2	4.22	26.8	4.96	28.5	5.35	30.2	5.72	33.7	6.54	37.2	7.59
	12	19.8	3.58	23.2	4.29	26.8	5.05	28.5	5.45	30.2	5.84	33.7	6.65	37.2	7.53
	14	19.8	3.65	23.2	4.37	26.8	5.14	28.5	5.54	30.2	5.94	33.7	6.77	37.2	7.70
	16	19.8	3.70	23.2	4.44	26.8	5.24	28.5	5.64	30.2	6.03	33.7	6.92	37.2	7.98
	18	19.8	3.77	23.2	4.53	26.8	5.36	28.5	5.76	30.2	6.15	33.7	7.08	37.2	8.54
	20	19.8	3.84	23.2	4.62	26.8	5.45	28.5	5.87	30.2	6.29	33.7	7.33	37.2	8.85
	21	19.8	3.87	23.2	4.65	26.8	5.50	28.5	5.94	30.2	6.43	33.7	7.60	37.2	9.47
	23	19.8	3.94	23.2	4.76	26.8	5.76	28.5	6.32	30.2	6.88	33.7	8.13	37.2	10.13
	25	19.8	4.06	23.2	5.05	26.8	6.16	28.5	6.75	30.2	7.34	33.7	8.70	37.2	10.76
	27	19.8	4.32	23.2	5.38	26.8	6.56	28.5	7.20	30.2	7.87	33.7	9.29	37.2	11.19
	29	19.8	4.60	23.2	5.73	26.8	7.00	28.5	7.67	30.1	8.39	33.7	9.91	36.9	11.60
	31	19.8	4.88	23.2	6.09	26.8	7.45	28.5	8.18	30.1	8.95	33.7	10.58	36.3	12.02
	33	19.8	5.19	23.2	6.79	26.8	7.93	28.5	8.71	30.1	9.53	33.7	11.29	35.8	12.46
	35	19.8	5.50	23.2	6.79	26.8	8.44	28.5	9.29	30.1	10.15	33.7	12.05	35.2	12.91
	37	19.8	5.83	23.2	7.31	26.8	8.97	28.0	9.89	30.1	10.81	33.7	12.83	34.7	13.36
	39	19.8	6.18	23.2	7.76	26.8	9.55	27.6	10.53	30.1	11.51	33.7	13.67	34.1	13.86
41	18.8	6.93	22.1	8.55	25.5	10.63	27.1	10.77	28.7	11.77	32.2	13.98	33.6	14.97	
44	17.6	7.54	21.1	9.30	24.4	11.81	26.1	12.17	27.6	12.69	31.0	14.70	32.5	15.75	
47	16.7	10.03	20.4	12.37	23.6	12.40	25.2	12.35	26.7	13.50	30.0	15.78	31.4	16.91	
50	15.4	9.85	18.5	12.15	21.3	13.08	22.7	13.37	24.0	14.41	27.0	16.87	28.1	17.68	
52	12.1	8.31	14.2	10.25	16.3	11.14	17.5	12.17	18.7	12.99	21.8	15.06	22.7	15.49	

Dc Inverter Multi VRF System Technical Sales Guide

Combination	Outdoor air temp (°C DB)	Indoor air temp													
		14.0°C WB		16.0°C WB		18.0°C WB		19.0°C WB		20.0°C WB		22.0°C WB		24.0°C WB	
		20.0°C DB		23.0°C DB		26.0°C DB		27.0°C DB		28.0°C DB		30.0°C DB		32.0°C DB	
		TC	PI	TC	PI	TC	PI	TC	PI	TC	PI	TC	PI	TC	PI
		kW	kW	kW	kW	kW	kW	kW	kW	kW	kW	kW	kW	kW	
70%	-5	17.5	2.52	21.3	3.11	27.3	3.78	29.6	4.14	31.6	4.51	35.2	5.31	38.8	6.18
	0	17.5	2.52	21.3	3.12	27.3	3.78	29.6	4.15	31.6	4.52	35.2	5.32	38.8	6.19
	4	17.5	2.53	21.3	3.13	27.3	3.80	29.6	4.16	31.6	4.54	35.2	5.34	38.8	6.21
	7	17.5	2.58	21.3	3.19	27.3	3.87	29.6	4.24	31.6	4.62	34.9	5.44	38.4	6.33
	10	17.5	3.11	20.5	3.68	23.6	4.29	25.1	4.62	26.6	4.95	29.7	5.62	32.8	6.32
	12	17.5	3.14	20.5	3.73	23.6	4.37	25.1	4.70	26.6	5.03	29.7	5.73	32.8	6.44
	14	17.5	3.19	20.5	3.80	23.6	4.44	25.1	4.77	26.6	5.12	29.7	5.83	32.8	6.56
	16	17.5	3.25	20.5	3.87	23.6	4.53	25.1	4.88	26.6	5.22	29.7	5.94	32.8	6.68
	18	17.5	3.30	20.5	3.94	23.6	4.62	25.1	4.96	26.6	5.31	29.7	6.06	32.8	6.82
	20	17.5	3.35	20.5	4.01	23.6	4.70	25.1	5.05	26.6	5.42	29.7	6.18	32.8	7.01
	21	17.5	3.38	20.5	4.04	23.6	4.74	25.1	5.10	26.6	5.47	29.7	6.25	32.8	7.26
	23	17.5	3.44	20.5	4.11	23.6	4.84	25.1	5.28	26.6	5.75	29.7	6.72	32.8	7.78
	25	17.5	3.51	20.5	4.29	23.6	5.16	25.1	5.64	26.6	6.13	29.7	7.19	32.8	8.31
	27	17.5	3.71	20.5	4.57	23.6	5.50	25.1	6.01	26.6	6.54	29.7	7.67	32.8	8.89
	29	17.5	3.94	20.5	4.84	23.6	5.85	25.1	6.41	26.6	6.96	29.7	8.18	32.8	9.50
	31	17.5	4.17	20.5	5.14	23.6	6.23	25.1	6.80	26.6	7.41	29.7	8.71	32.8	10.12
	33	17.5	4.43	20.5	5.47	23.6	6.63	25.1	7.24	26.6	7.90	29.7	9.29	32.8	10.80
	35	17.5	4.69	20.5	5.80	23.6	7.03	25.1	7.71	26.6	8.40	29.7	9.89	32.8	11.51
	37	17.5	4.95	20.5	6.14	23.6	7.48	24.7	8.19	26.6	8.94	29.7	10.54	32.8	12.26
	39	17.5	5.24	20.5	6.51	23.6	7.93	24.4	8.70	26.6	9.50	29.7	11.20	32.8	13.05
41	16.6	5.91	19.6	7.31	22.5	8.86	24.0	8.94	25.4	9.75	28.4	11.48	31.3	13.35	
44	15.6	6.42	18.6	7.94	21.5	9.84	23.0	10.10	24.5	10.50	27.4	12.07	30.3	14.04	
47	14.8	8.54	18.1	10.57	20.9	10.33	22.3	10.25	23.6	11.17	26.5	12.96	29.4	15.08	
50	13.7	8.39	16.4	10.38	18.8	10.90	20.0	11.10	21.3	11.93	23.8	13.85	26.6	15.77	
52	10.8	7.08	12.6	8.75	14.5	9.28	15.5	10.10	16.6	10.75	19.3	12.37	21.9	13.81	

Combination	Outdoor air temp (°C DB)	Indoor air temp													
		14.0°C WB		16.0°C WB		18.0°C WB		19.0°C WB		20.0°C WB		22.0°C WB		24.0°C WB	
		20.0°C DB		23.0°C DB		26.0°C DB		27.0°C DB		28.0°C DB		30.0°C DB		32.0°C DB	
		TC	PI	TC	PI	TC	PI	TC	PI	TC	PI	TC	PI	TC	PI
		kW	kW	kW	kW	kW	kW	kW	kW	kW	kW	kW	kW	kW	
60%	-5	15.2	2.12	18.5	2.58	23.6	3.09	25.6	3.37	27.3	3.66	30.4	4.28	33.6	4.94
	0	15.2	2.12	18.5	2.59	23.6	3.10	25.6	3.38	27.3	3.67	30.4	4.29	33.6	4.95
	4	15.2	2.13	18.5	2.60	23.6	3.11	25.6	3.39	27.3	3.68	30.4	4.30	33.6	4.97
	7	15.2	2.17	18.5	2.64	23.6	3.17	25.6	3.46	27.3	3.75	30.1	4.38	33.1	5.06
	10	15.2	2.69	17.8	3.16	20.5	3.66	21.8	3.92	23.1	4.18	25.7	4.74	28.4	5.31
	12	15.2	2.74	17.8	3.21	20.5	3.73	21.8	3.99	23.1	4.25	25.7	4.83	28.4	5.40
	14	15.2	2.78	17.8	3.26	20.5	3.78	21.8	4.06	23.1	4.34	25.7	4.91	28.4	5.50
	16	15.2	2.81	17.8	3.32	20.5	3.85	21.8	4.13	23.1	4.41	25.7	5.00	28.4	5.61
	18	15.2	2.86	17.8	3.37	20.5	3.92	21.8	4.20	23.1	4.50	25.7	5.09	28.4	5.71
	20	15.2	2.90	17.8	3.44	20.5	3.99	21.8	4.29	23.1	4.58	25.7	5.19	28.4	5.83
	21	15.2	2.93	17.8	3.45	20.5	4.03	21.8	4.32	23.1	4.62	25.7	5.24	28.4	5.88
	23	15.2	2.97	17.8	3.52	20.5	4.10	21.8	4.41	23.1	4.70	25.7	5.45	28.4	6.27
	25	15.2	3.02	17.8	3.59	20.5	4.25	21.8	4.62	23.1	5.00	25.7	5.82	28.4	6.68
	27	15.2	3.14	17.8	3.80	20.5	4.53	21.8	4.93	23.1	5.33	25.7	6.20	28.4	7.13
	29	15.2	3.32	17.8	4.03	20.5	4.83	21.8	5.24	23.1	5.68	25.7	6.61	28.4	7.62
	31	15.2	3.52	17.8	4.29	20.5	5.12	21.8	5.57	23.1	6.04	25.7	7.03	28.4	8.11
	33	15.2	3.71	17.8	4.53	20.5	5.43	21.8	5.92	23.1	6.42	25.7	7.48	28.4	8.64
	35	15.2	3.94	17.8	4.81	20.5	5.76	21.8	6.28	23.1	6.82	25.7	7.97	28.4	9.20
	37	15.2	4.17	17.8	5.09	20.5	6.11	21.4	6.67	23.1	7.24	25.7	8.47	28.4	9.79
	39	15.2	4.39	17.8	5.38	20.5	6.47	21.1	7.06	23.1	7.69	25.7	8.99	28.4	10.42
41	14.5	4.96	17.0	6.06	19.5	7.26	20.8	7.29	22.0	7.91	24.6	9.24	27.1	10.67	
44	13.6	5.40	16.2	6.59	18.7	8.07	20.0	8.23	21.2	8.53	23.7	9.72	26.2	11.22	
47	12.9	7.18	15.7	8.77	18.1	8.47	19.3	8.36	20.5	9.07	23.0	10.44	25.4	12.05	
50	12.0	7.05	14.3	8.61	16.4	8.93	17.4	9.05	18.5	9.69	20.7	11.15	23.0	12.60	
52	9.5	5.95	11.0	7.26	12.7	7.61	13.5	8.23	14.5	8.73	16.8	9.96	19.0	11.04	

Dc Inverter Multi VRF System Technical Sales Guide

Combination	Outdoor air temp (°C DB)	Indoor air temp													
		14.0°C WB		16.0°C WB		18.0°C WB		19.0°C WB		20.0°C WB		22.0°C WB		24.0°C WB	
		20.0°C DB		23.0°C DB		26.0°C DB		27.0°C DB		28.0°C DB		30.0°C DB		32.0°C DB	
		TC	PI	TC	PI	TC	PI	TC	PI	TC	PI	TC	PI	TC	PI
		kW	kW	kW	kW	kW	kW	kW	kW	kW	kW	kW	kW	kW	
50%	-5	13.0	1.75	15.7	2.10	20.0	2.48	21.7	2.68	23.0	2.90	25.6	3.36	28.3	3.84
	0	13.0	1.76	15.7	2.10	20.0	2.48	21.7	2.69	23.0	2.90	25.6	3.36	28.3	3.85
	4	13.0	1.76	15.7	2.11	20.0	2.49	21.7	2.70	23.0	2.92	25.6	3.37	28.3	3.86
	7	13.0	1.79	15.7	2.15	20.0	2.54	21.7	2.75	23.0	2.97	25.4	3.44	27.9	3.93
	10	13.0	2.33	15.1	2.69	17.3	3.07	18.4	3.28	19.5	3.47	21.7	3.91	23.9	4.36
	12	13.0	2.34	15.1	2.73	17.3	3.12	18.4	3.32	19.5	3.54	21.7	3.98	23.9	4.43
	14	13.0	2.38	15.1	2.76	17.3	3.16	18.4	3.38	19.5	3.59	21.7	4.04	23.9	4.51
	16	13.0	2.41	15.1	2.79	17.3	3.21	18.4	3.44	19.5	3.65	21.7	4.11	23.9	4.58
	18	13.0	2.45	15.1	2.85	17.3	3.26	18.4	3.49	19.5	3.71	21.7	4.18	23.9	4.67
	20	13.0	2.48	15.1	2.88	17.3	3.32	18.4	3.56	19.5	3.78	21.7	4.27	23.9	4.76
	21	13.0	2.50	15.1	2.92	17.3	3.35	18.4	3.58	19.5	3.82	21.7	4.30	23.9	4.81
	23	13.0	2.53	15.1	2.95	17.3	3.40	18.4	3.65	19.5	3.89	21.7	4.37	23.9	4.91
	25	13.0	2.57	15.1	3.00	17.3	3.47	18.4	3.71	19.5	4.01	21.7	4.60	23.9	5.24
	27	13.0	2.62	15.1	3.12	17.3	3.66	18.4	3.96	19.5	4.25	21.7	4.90	23.9	5.59
	29	13.0	2.76	15.1	3.30	17.3	3.89	18.4	4.20	19.4	4.53	21.7	5.21	23.9	5.95
	31	13.0	2.92	15.1	3.49	17.3	4.15	18.4	4.46	19.4	4.81	21.7	5.54	23.9	6.34
	33	13.0	3.09	15.1	3.70	17.3	4.37	18.4	4.72	19.4	5.10	21.7	5.88	23.9	6.74
	35	13.0	3.26	15.1	3.91	17.3	4.62	18.4	5.00	19.4	5.40	21.7	6.25	23.9	7.15
	37	13.0	3.44	15.1	4.13	17.3	4.90	18.1	5.29	19.4	5.73	21.7	6.63	23.9	7.60
	39	13.0	3.63	15.1	4.36	17.3	5.17	17.9	5.61	19.4	6.08	21.7	7.03	23.9	8.07
41	12.4	4.11	14.5	4.92	16.6	5.82	17.6	5.80	18.6	6.26	20.7	7.25	22.9	8.30	
44	11.6	4.47	13.8	5.35	15.9	6.46	16.9	6.55	17.9	6.75	20.0	7.62	22.1	8.73	
47	11.1	5.95	13.4	7.12	15.4	6.79	16.4	6.65	17.3	7.18	19.4	8.19	21.5	9.37	
50	10.3	5.84	12.2	6.99	13.9	7.16	14.8	7.20	15.6	7.67	17.5	8.75	19.5	9.80	
52	8.2	4.93	9.5	5.90	10.8	6.09	11.6	6.55	12.3	6.91	14.3	7.81	16.1	8.58	

➤ Heating Capacity Calculation Method
GMV-80WL/C-T

TC—Total capacity of outdoor unit; PI—Power input of outdoor unit

Combination	Outdoor air temp		Indoor air temp °C DB											
			16		18		20		21		22		24	
	°C DB	°C WB	TC	PI	TC	PI	TC	PI	TC	PI	TC	PI	TC	PI
135%	-19.8	-20.0	5.8	1.34	5.8	1.44	5.8	1.53	5.8	1.58	5.7	1.63	5.7	1.72
	-18.8	-19.0	5.9	1.37	5.9	1.47	5.9	1.56	5.9	1.61	5.9	1.65	5.8	1.74
	-16.7	-17.0	6.1	1.44	6.1	1.52	6.1	1.62	6.1	1.65	6.1	1.71	6.1	1.80
	-13.7	-15.0	6.4	1.50	6.4	1.59	6.3	1.68	6.3	1.72	6.3	1.76	6.3	1.85
	-11.8	-13.0	6.7	1.57	6.7	1.65	6.6	1.73	6.6	1.78	6.6	1.82	6.6	1.90
	-9.8	-11.0	7.0	1.64	6.9	1.72	6.9	1.80	6.9	1.84	6.9	1.88	6.9	1.95
	-9.5	-10.0	7.1	1.67	7.1	1.75	7.1	1.83	7.1	1.87	7.1	1.90	7.1	1.98
	-8.5	-9.1	7.3	1.70	7.3	1.78	7.3	1.85	7.2	1.89	7.2	1.93	7.2	2.00
	-7.0	-7.6	7.5	1.75	7.5	1.83	7.5	1.90	7.5	1.93	7.5	1.97	7.5	2.04
	-5.0	-5.6	7.9	1.82	7.9	1.85	7.9	1.96	7.9	1.99	7.9	2.02	7.9	2.09
	-3.0	-3.7	8.3	1.88	8.3	1.94	8.3	2.01	8.3	2.04	8.3	2.08	8.2	2.14
	0.0	-0.7	9.0	1.97	9.0	2.03	8.9	2.09	8.9	2.12	8.9	2.15	8.9	2.21
	3.0	2.2	9.7	2.05	9.7	2.11	9.6	2.16	9.6	2.19	9.6	2.22	9.6	2.28
	5.0	4.1	10.2	2.10	10.1	2.16	10.1	2.21	10.1	2.24	10.1	2.26	10.1	2.31
	7.0	6.0	10.7	2.15	10.7	2.20	10.7	2.25	10.6	2.03	10.6	2.30	10.2	2.21
	9.0	7.9	11.2	2.20	11.2	2.25	11.2	2.29	11.2	2.32	10.9	2.27	10.2	2.08
	11.0	9.8	11.8	2.24	11.8	2.28	11.7	2.31	11.3	2.22	10.9	2.13	10.2	1.96
13.0	11.8	12.4	2.28	12.4	2.33	11.7	2.17	11.3	2.08	10.9	2.00	10.2	1.84	
15.0	13.7	13.0	2.32	12.5	2.20	11.7	2.04	11.3	1.96	10.9	1.89	10.2	1.73	
18.0	16.8	13.0	2.20	12.5	2.10	11.7	1.94	11.3	1.87	10.9	1.78	10.2	1.65	
20.0	18.5	13.0	2.09	12.5	2.00	11.7	1.85	11.3	1.78	10.9	1.69	10.2	1.57	
24.0	20.5	13.0	2.00	12.5	1.93	11.7	1.78	11.3	1.71	10.9	1.62	10.2	1.52	

Dc Inverter Multi VRF System Technical Sales Guide

Combination	Outdoor air temp		Indoor air temp °C DB											
			16		18		20		21		22		24	
	°C DB	°C WB	TC	PI	TC	PI	TC	PI	TC	PI	TC	PI	TC	PI
120%	-19.8	-20.0	5.8	1.47	5.8	1.56	5.7	1.65	5.7	1.69	5.7	1.73	5.7	1.82
	-18.8	-19.0	5.9	1.50	5.9	1.58	5.9	1.65	5.8	1.71	5.8	1.76	5.8	1.84
	-16.7	-17.0	6.1	1.56	6.1	1.64	6.1	1.72	6.1	1.76	6.1	1.81	6.0	1.89
	-13.7	-15.0	6.4	1.62	6.3	1.70	6.3	1.78	6.3	1.82	6.3	1.86	6.3	1.94
	-11.8	-13.0	6.6	1.68	6.6	1.76	6.6	1.83	6.6	1.87	6.6	1.91	6.6	1.99
	-9.8	-11.0	6.9	1.74	6.9	1.82	6.9	1.89	6.9	1.93	6.9	1.96	6.9	2.04
	-9.5	-10.0	7.1	1.78	7.1	1.85	7.1	1.92	7.1	1.95	7.1	1.97	7.0	2.06
	-8.5	-9.1	7.3	1.80	7.2	1.87	7.2	1.94	7.2	1.98	7.2	2.01	7.2	2.08
	-7.0	-7.6	7.5	1.85	7.5	1.92	7.5	1.98	7.5	2.02	7.5	2.05	7.5	2.12
	-5.0	-5.6	7.9	1.91	7.9	1.97	7.9	2.04	7.9	2.07	7.9	2.10	7.8	2.16
	-3.0	-3.7	8.3	1.97	8.3	2.03	8.3	2.09	8.3	2.12	8.2	2.15	8.2	2.21
	0.0	-0.7	8.9	2.05	8.9	2.11	8.9	2.19	8.9	2.19	8.9	2.22	8.9	2.28
	3.0	2.2	9.7	2.13	9.6	2.18	9.6	2.23	9.6	2.26	9.6	2.28	9.4	2.27
	5.0	4.1	10.1	2.17	10.1	2.22	10.1	2.27	10.1	2.30	10.1	2.32	9.4	2.13
	7.0	6.0	10.7	2.22	10.7	2.27	10.6	2.31	10.5	2.28	10.1	2.19	9.4	2.01
	9.0	7.9	11.2	2.26	11.2	2.31	10.8	2.23	10.5	2.14	10.1	2.06	9.4	1.89
	11.0	9.8	11.8	2.30	11.5	2.26	10.8	2.10	10.5	2.02	10.1	1.93	9.4	1.78
13.0	11.8	12.2	2.28	11.5	2.12	10.8	1.97	10.5	1.89	10.1	1.82	9.4	1.67	
15.0	13.7	12.2	2.15	11.5	2.00	10.8	1.86	10.5	1.78	10.1	1.71	9.4	1.58	
18.0	16.8	12.2	2.03	11.5	1.89	10.8	1.76	10.5	1.69	10.1	1.62	9.4	1.50	
20.0	18.5	12.2	1.92	11.5	1.81	10.8	1.69	10.5	1.61	10.1	1.55	9.4	1.43	
24.0	20.5	12.2	1.83	11.5	1.73	10.8	1.62	10.5	1.54	10.1	1.49	9.4	1.37	

Combination	Outdoor air temp		Indoor air temp °C DB											
			16		18		20		21		22		24	
	°C DB	°C WB	TC	PI	TC	PI	TC	PI	TC	PI	TC	PI	TC	PI
110%	-19.8	-20.0	5.8	1.60	5.7	1.68	5.7	1.76	5.7	1.80	5.7	1.84	5.7	1.92
	-18.8	-19.0	5.9	1.62	5.9	1.70	5.8	1.78	5.8	1.82	5.8	1.86	5.8	1.94
	-16.7	-17.0	6.1	1.68	6.1	1.75	6.1	1.83	6.0	1.87	6.0	1.91	6.0	1.98
	-13.7	-15.0	6.3	1.73	6.3	1.81	6.3	1.88	6.3	1.92	6.3	1.95	6.3	2.03
	-11.8	-13.0	6.6	1.79	6.6	1.86	6.6	1.93	6.6	1.97	6.5	2.00	6.5	2.07
	-9.8	-11.0	6.9	1.85	6.9	1.92	6.9	1.98	6.9	2.02	6.9	2.05	6.9	2.12
	-9.5	-10.0	7.1	1.88	7.1	1.94	7.0	2.01	7.0	2.04	7.0	2.08	7.0	2.14
	-8.5	-9.1	7.2	1.90	7.2	1.97	7.2	2.03	7.2	2.07	7.2	2.10	7.2	2.16
	-7.0	-7.6	7.5	1.95	7.5	2.01	7.5	2.07	7.5	2.10	7.5	2.13	7.4	2.19
	-5.0	-5.6	7.9	2.00	7.9	2.06	7.8	2.12	7.8	2.15	8.2	2.18	7.8	2.24
	-3.0	-3.7	8.3	2.06	8.3	2.11	8.2	2.17	8.2	2.19	8.9	2.22	8.2	2.28
	0.0	-0.7	8.9	2.13	8.9	2.18	8.9	2.24	8.9	2.26	9.3	2.29	8.6	2.24
	3.0	2.2	9.6	2.20	9.6	2.25	9.6	2.30	9.6	2.32	9.3	2.23	8.6	2.04
	5.0	4.1	10.1	2.25	10.1	2.29	9.9	2.27	9.6	2.18	9.3	2.09	8.6	1.92
	7.0	6.0	10.6	2.29	10.5	2.30	9.9	2.13	9.6	2.05	9.3	1.97	8.6	1.81
	9.0	7.9	11.2	2.32	10.5	2.16	9.9	2.01	9.6	1.93	9.3	1.85	8.6	1.70
	11.0	9.8	11.2	2.19	10.5	2.04	9.9	1.89	9.6	1.82	9.3	1.74	8.6	1.61
	13.0	11.8	11.2	2.05	10.5	1.91	9.9	1.77	9.6	1.71	9.3	1.64	8.6	1.51
15.0	13.7	11.2	1.93	10.5	1.80	9.9	1.68	9.6	1.61	9.3	1.55	8.6	1.43	
18.0	16.8	11.2	1.83	10.5	1.71	9.9	1.53	9.6	1.53	9.3	1.48	8.6	1.36	
20.0	18.5	11.2	1.73	10.5	1.62	9.9	1.45	9.6	1.45	9.3	1.42	8.6	1.30	
24.0	20.5	11.2	1.66	10.5	1.55	9.9	1.38	9.6	1.39	9.3	1.36	8.6	1.25	

Dc Inverter Multi VRF System Technical Sales Guide

Combination	Outdoor air temp		Indoor air temp °C DB											
			16		18		20		21		22		24	
	°C DB	°C WB	TC	PI	TC	PI	TC	PI	TC	PI	TC	PI	TC	PI
100%	-19.8	-20.0	5.7	1.73	5.7	1.80	5.7	1.87	5.7	1.91	5.7	1.94	5.7	2.02
	-18.8	-19.0	5.8	1.75	5.8	1.82	5.8	1.89	5.8	1.93	5.8	1.97	5.8	2.04
	-16.7	-17.0	6.1	1.80	6.0	1.87	6.0	1.94	6.0	1.97	6.0	2.01	6.0	2.08
	-13.7	-15.0	6.3	1.85	6.3	1.92	6.3	1.98	6.3	2.02	6.3	2.05	6.2	2.12
	-11.8	-13.0	6.6	1.90	6.6	1.97	6.5	2.03	6.5	2.06	6.5	2.02	6.5	2.16
	-9.8	-11.0	6.9	1.96	6.9	2.02	6.9	2.08	6.9	2.11	6.8	2.14	6.8	2.20
	-9.5	-10.0	7.1	1.98	7.0	2.04	7.0	2.10	7.0	2.13	7.0	2.16	7.0	2.22
	-8.5	-9.1	7.2	2.01	7.2	2.07	7.2	2.12	7.2	2.15	7.1	2.18	7.1	2.24
	-7.0	-7.6	7.5	2.05	7.5	2.10	7.4	2.16	7.4	2.19	7.4	2.21	7.4	2.27
	-5.0	-5.6	7.9	2.10	7.8	2.15	7.8	2.20	7.8	2.23	7.8	2.26	7.8	2.31
	-3.0	-3.7	8.2	2.14	8.2	2.19	8.2	2.2	8.2	2.27	8.2	2.29	7.9	2.20
	0.0	-0.7	8.9	2.22	8.9	2.26	8.9	2.3	8.7	2.27	8.4	2.18	7.9	2.00
	3.0	2.2	9.6	2.28	9.6	2.32	9.0	2.1	8.7	2.06	8.4	1.98	7.9	1.82
	5.0	4.1	10.1	2.32	9.6	2.18	9.0	2.0	8.7	1.94	8.4	1.87	7.9	1.71
	7.0	6.0	10.1	2.20	9.6	2.05	9.0	1.9	8.7	1.83	8.4	1.76	7.9	1.62
	9.0	7.9	10.1	2.07	9.6	1.93	9.0	1.8	8.7	1.72	8.4	1.66	7.9	1.52
	11.0	9.8	10.1	1.95	9.6	1.82	9.0	1.7	8.7	1.62	8.4	1.56	7.9	1.44
	13.0	11.8	10.1	1.83	9.6	1.71	9.0	1.6	8.7	1.53	8.4	1.47	7.9	1.36
	15.0	13.7	10.1	1.72	9.6	1.61	9.0	1.5	8.7	1.45	8.4	1.39	7.9	1.29
	18.0	16.8	10.1	1.63	9.6	1.54	9.0	1.45	8.7	1.37	8.4	1.32	7.9	1.23
20.0	18.5	10.1	1.53	9.6	1.48	9.0	1.39	8.7	1.31	8.4	1.26	7.9	1.18	
24.0	20.5	10.1	1.45	9.6	1.43	9.0	1.34	8.7	1.26	8.4	1.21	7.9	1.14	

Combination	Outdoor air temp		Indoor air temp °C DB											
			16		18		20		21		22		24	
	°C DB	°C WB	TC	PI	TC	PI	TC	PI	TC	PI	TC	PI	TC	PI
90%	-19.8	-20.0	6.2	1.86	6.1	1.92	6.1	1.99	6.1	2.02	6.1	2.05	6.1	2.12
	-18.8	-19.0	6.3	1.88	6.3	1.94	6.2	2.01	6.2	2.04	6.2	2.07	6.2	2.13
	-16.7	-17.0	6.5	1.92	6.5	1.98	6.5	2.05	6.5	2.08	6.4	2.11	6.4	2.17
	-13.7	-15.0	6.7	1.97	6.7	2.03	6.7	2.09	6.7	2.10	6.7	2.15	6.7	2.21
	-11.8	-13.0	7.0	2.02	7.0	2.07	7.0	2.13	7.0	2.16	7.0	2.19	6.9	2.24
	-9.8	-11.0	7.3	2.06	7.3	2.12	7.3	2.17	7.3	2.20	7.3	2.23	7.3	2.28
	-9.5	-10.0	7.5	2.09	7.5	2.14	7.5	2.19	7.4	2.22	7.4	2.25	7.4	2.30
	-8.5	-9.1	7.6	2.11	7.6	2.16	7.6	2.21	7.6	2.24	7.6	2.27	7.5	2.29
	-7.0	-7.6	7.9	2.14	7.9	2.19	7.9	2.25	7.9	2.27	7.9	2.29	7.5	2.18
	-5.0	-5.6	8.3	2.19	8.3	2.24	8.3	2.28	8.3	2.31	8.0	2.24	7.5	2.05
	-3.0	-3.7	8.7	2.23	8.7	2.03	8.6	2.29	8.3	2.20	8.0	2.11	7.5	1.93
	0.0	-0.7	9.3	2.30	9.1	1.99	8.6	2.08	8.3	1.99	8.0	1.91	7.5	1.76
	3.0	2.2	9.6	2.19	9.1	2.04	8.6	1.89	8.3	1.82	8.0	1.75	7.5	1.61
	5.0	4.1	9.6	2.06	9.1	1.92	8.6	1.78	8.3	1.71	8.0	1.65	7.5	1.52
	7.0	6.0	9.6	1.93	9.1	1.81	8.6	1.68	8.3	1.62	8.0	1.55	7.5	1.43
	9.0	7.9	9.6	1.82	9.1	1.70	8.6	1.58	8.3	1.52	8.0	1.47	7.5	1.35
	11.0	9.8	9.6	1.72	9.1	1.60	8.6	1.50	8.3	1.44	8.0	1.39	7.5	1.28
	13.0	11.8	9.6	1.62	9.1	1.51	8.6	1.41	8.3	1.36	8.0	1.31	7.5	1.21
15.0	13.7	9.6	1.53	9.1	1.43	8.6	1.33	8.3	1.28	8.0	1.24	7.5	1.15	
18.0	16.8	9.6	1.44	9.1	1.35	8.6	1.27	8.3	1.21	8.0	1.18	7.5	1.09	
20.0	18.5	9.6	1.36	9.1	1.28	8.6	1.20	8.3	1.14	8.0	1.12	7.5	1.04	
24.0	20.5	9.6	1.29	9.1	1.20	8.6	1.14	8.3	1.08	8.0	1.06	7.5	1.00	

Dc Inverter Multi VRF System Technical Sales Guide

Combination	Outdoor air temp		Indoor air temp °C DB											
			16		18		20		21		22		24	
	°C DB	°C WB	TC	PI	TC	PI	TC	PI	TC	PI	TC	PI	TC	PI
80%	-19.8	-20.0	6.1	1.98	6.1	2.04	6.1	2.10	6.1	2.13	6.1	2.16	6.1	2.22
	-18.8	-19.0	6.2	2.00	6.2	2.06	6.2	2.12	6.2	2.15	6.2	2.17	6.2	2.23
	-16.7	-17.0	6.5	2.04	6.4	2.10	6.4	2.15	6.4	2.18	6.4	2.21	6.4	2.26
	-13.7	-15.0	6.7	2.09	6.7	2.14	6.7	2.19	6.7	2.22	6.7	2.24	6.7	2.30
	-11.8	-13.0	7.0	2.13	7.0	2.18	6.9	2.23	6.9	2.25	6.9	2.28	6.7	2.22
	-9.8	-11.0	7.3	2.17	7.3	2.22	7.3	2.27	7.3	2.29	7.2	2.28	6.7	2.09
	-9.5	-10.0	7.5	2.19	7.4	2.24	7.4	2.28	7.4	2.31	7.2	2.22	6.7	2.03
	-8.5	-9.1	7.6	2.21	7.6	2.26	7.6	2.30	7.4	2.25	7.2	2.16	6.7	1.98
	-7.0	-7.6	7.9	2.24	7.9	2.29	7.7	2.24	7.4	2.15	7.2	2.06	6.7	1.90
	-5.0	-5.6	8.3	2.04	8.1	2.27	7.7	2.10	7.4	2.02	7.2	1.94	6.7	1.78
	-3.0	-3.7	8.6	2.05	8.1	2.14	7.7	1.98	7.4	1.91	7.2	1.83	6.7	1.68
	0.0	-0.7	8.6	2.08	8.1	1.94	7.7	1.80	7.4	1.73	7.2	1.67	6.7	1.53
	3.0	2.2	8.6	1.90	8.1	1.77	7.7	1.65	7.4	1.58	7.2	1.52	6.7	1.41
	5.0	4.1	8.6	1.79	8.1	1.67	7.7	1.55	7.4	1.50	7.2	1.44	6.7	1.33
	7.0	6.0	8.6	1.68	8.1	1.58	7.7	1.47	7.4	1.41	7.2	1.36	6.7	1.26
	9.0	7.9	8.6	1.59	8.1	1.49	7.7	1.39	7.4	1.33	7.2	1.29	6.7	1.19
	11.0	9.8	8.6	1.50	8.1	1.40	7.7	1.31	7.4	1.26	7.2	1.22	6.7	1.13
	13.0	11.8	8.6	1.41	8.1	1.33	7.7	1.24	7.4	1.19	7.2	1.15	6.7	1.07
15.0	13.7	8.6	1.34	8.1	1.26	7.7	1.17	7.4	1.13	7.2	1.09	6.7	1.02	
18.0	16.8	8.6	1.28	8.1	1.19	7.7	1.12	7.4	1.08	7.2	1.04	6.7	0.97	
20.0	18.5	8.6	1.23	8.1	1.14	7.7	1.07	7.4	1.03	7.2	0.99	6.7	0.93	
24.0	20.5	8.6	1.19	8.1	1.11	7.7	1.02	7.4	0.98	7.2	0.94	6.7	0.89	

Combination	Outdoor air temp		Indoor air temp °C DB											
			16		18		20		21		22		24	
	°C DB	°C WB	TC	PI	TC	PI	TC	PI	TC	PI	TC	PI	TC	PI
70%	-19.8	-20.0	6.1	2.11	6.1	2.16	6.1	2.21	6.1	2.24	6.1	2.27	5.9	2.24
	-18.8	-19.0	6.2	2.13	6.2	2.18	6.2	2.23	6.2	2.25	6.2	2.28	5.9	2.19
	-16.7	-17.0	6.4	2.16	6.4	2.21	6.4	2.26	6.4	2.28	6.3	2.28	5.9	2.09
	-13.7	-15.0	6.7	2.20	6.7	2.25	6.7	2.29	6.5	2.20	6.3	2.17	5.9	1.99
	-11.8	-13.0	6.9	2.24	6.9	2.28	6.8	2.23	6.5	2.14	6.3	2.06	5.9	1.89
	-9.8	-11.0	7.3	2.28	7.2	2.27	6.8	2.10	6.5	2.02	6.3	1.94	5.9	1.78
	-9.5	-10.0	7.4	2.29	7.2	2.21	6.8	2.04	6.5	1.96	6.3	1.89	5.9	1.73
	-8.5	-9.1	7.6	2.31	7.2	2.15	6.8	1.99	6.5	1.91	6.3	1.84	5.9	1.69
	-7.0	-7.6	7.6	2.20	7.2	2.05	6.8	1.90	6.5	1.83	6.3	1.76	5.9	1.62
	-5.0	-5.6	7.6	2.07	7.2	1.93	6.8	1.79	6.5	1.72	6.3	1.66	5.9	1.53
	-3.0	-3.7	7.6	1.95	7.2	1.82	6.8	1.69	6.5	1.63	6.3	1.56	5.9	1.44
	0.0	-0.7	7.6	1.77	7.2	1.67	6.8	1.54	6.5	1.49	6.3	1.43	5.9	1.32
	3.0	2.2	7.6	1.62	7.2	0.04	6.8	1.41	6.5	1.36	6.3	1.31	5.9	1.21
	5.0	4.1	7.6	1.53	7.2	1.43	6.8	1.34	6.5	1.29	6.3	1.24	5.9	1.15
	7.0	6.0	7.6	1.45	7.2	1.35	6.8	1.26	6.5	1.22	6.3	1.18	5.9	1.09
	9.0	7.9	7.6	1.37	7.2	1.28	6.8	1.20	6.5	1.15	6.3	1.12	5.9	1.03
	11.0	9.8	7.6	1.29	7.2	1.21	6.8	1.14	6.5	1.10	6.3	1.06	5.9	0.98
13.0	11.8	7.6	1.22	7.2	1.15	6.8	1.07	6.5	1.04	6.3	1.00	5.9	0.93	
15.0	13.7	7.6	1.16	7.2	1.09	6.8	1.02	6.5	0.99	6.3	0.95	5.9	0.89	
18.0	16.8	7.6	1.10	7.2	1.03	6.8	0.97	6.5	0.94	6.3	0.91	5.9	0.85	
20.0	18.5	7.6	1.05	7.2	0.98	6.8	0.93	6.5	0.90	6.3	0.87	5.9	0.81	
24.0	20.5	7.6	1.00	7.2	0.94	6.8	0.89	6.5	0.86	6.3	0.84	5.9	0.78	

Dc Inverter Multi VRF System Technical Sales Guide

Combination	Outdoor air temp		Indoor air temp °C DB											
			16		18		20		21		22		24	
	°C DB	°C WB	TC	PI	TC	PI	TC	PI	TC	PI	TC	PI	TC	PI
60%	-19.8	-20.0	6.1	2.24	6.1	2.28	5.9	2.20	5.7	2.11	5.5	2.03	5.2	1.86
	-18.8	-19.0	6.2	2.26	6.2	2.30	5.9	2.15	5.7	2.07	5.5	1.98	5.2	1.82
	-16.7	-17.0	6.4	2.28	6.2	2.21	5.9	2.05	5.7	1.97	5.5	1.89	5.2	1.74
	-13.7	-15.0	6.5	2.26	6.2	2.10	5.9	1.95	5.7	1.88	5.5	1.80	5.2	1.66
	-11.8	-13.0	6.5	2.14	6.2	1.99	5.9	1.85	5.7	1.78	5.5	1.71	5.2	1.57
	-9.8	-11.0	6.5	2.02	6.2	1.88	5.9	1.75	5.7	1.68	5.5	1.62	5.2	1.49
	-9.5	-10.0	6.5	1.96	6.2	1.83	5.9	1.70	5.7	1.64	5.5	1.57	5.2	1.45
	-8.5	-9.1	6.5	1.91	6.2	1.78	5.9	1.66	5.7	1.60	5.5	1.53	5.2	1.42
	-7.0	-7.6	6.5	1.83	6.2	1.71	5.9	1.59	5.7	1.53	5.5	1.47	5.2	1.36
	-5.0	-5.6	6.5	1.72	6.2	1.61	5.9	1.50	5.7	1.44	5.5	1.39	5.2	1.29
	-3.0	-3.7	6.5	1.63	6.2	1.52	5.9	1.42	5.7	1.37	5.5	1.32	5.2	1.22
	0.0	-0.7	6.5	1.49	6.2	1.39	5.9	1.30	5.7	1.25	5.5	1.21	5.2	1.12
	3.0	2.2	6.5	1.36	6.2	1.28	5.9	1.19	5.7	1.15	5.5	1.11	5.2	0.04
	5.0	4.1	6.5	1.29	6.2	1.21	5.9	1.13	5.7	1.09	5.5	1.05	5.2	0.98
	7.0	6.0	6.5	1.22	6.2	1.14	5.9	1.07	5.7	1.04	5.5	1.00	5.2	0.93
	9.0	7.9	6.5	1.15	6.2	1.09	5.9	1.02	5.7	0.98	5.5	0.95	5.2	0.89
11.0	9.8	6.5	1.10	6.2	1.03	5.9	0.97	5.7	0.94	5.5	0.90	5.2	0.84	
13.0	11.8	6.5	1.04	6.2	0.98	5.9	0.92	5.7	0.89	5.5	0.86	5.2	0.80	
15.0	13.7	6.5	0.99	6.2	0.93	5.9	0.87	5.7	0.85	5.5	0.82	5.2	0.76	
18.0	16.8	6.5	0.94	6.2	0.88	5.9	0.83	5.7	0.81	5.5	0.78	5.2	0.73	
20.0	18.5	6.5	0.90	6.2	0.84	5.9	0.80	5.7	0.78	5.5	0.76	5.2	0.71	
24.0	20.5	6.5	0.87	6.2	0.81	5.9	0.77	5.7	0.75	5.5	0.73	5.2	0.68	

Combination	Outdoor air temp		Indoor air temp °C DB											
			16		18		20		21		22		24	
	°C DB	°C WB	TC	PI	TC	PI	TC	PI	TC	PI	TC	PI	TC	PI
50%	-19.8	-20.0	5.5	2.04	5.3	1.90	5.0	1.76	4.8	1.70	4.7	1.63	4.4	1.50
	-18.8	-19.0	5.5	1.99	5.3	1.86	5.0	1.73	4.8	1.66	4.7	1.60	4.4	1.47
	-16.7	-17.0	5.5	1.90	5.3	1.77	5.0	1.65	4.8	1.59	4.7	1.53	4.4	1.41
	-13.7	-15.0	5.5	1.81	5.3	1.69	5.0	1.57	4.8	1.52	4.7	1.46	4.4	1.35
	-11.8	-13.0	5.5	1.72	5.3	1.61	5.0	1.50	4.8	1.44	4.7	1.39	4.4	1.28
	-9.8	-11.0	5.5	1.63	5.3	1.52	5.0	1.42	4.8	1.37	4.7	1.32	4.4	1.22
	-9.5	-10.0	5.5	1.58	5.3	1.48	5.0	1.38	4.8	1.33	4.7	1.28	4.4	1.19
	-8.5	-9.1	5.5	1.54	5.3	1.45	5.0	1.35	4.8	1.30	4.7	1.25	4.4	1.16
	-7.0	-7.6	5.5	1.48	5.3	1.39	5.0	1.29	4.8	1.25	4.7	1.20	4.4	1.12
	-5.0	-5.6	5.5	1.40	5.3	1.31	5.0	1.22	4.8	1.18	4.7	1.14	4.4	1.06
	-3.0	-3.7	5.5	1.32	5.3	1.24	5.0	1.16	4.8	1.12	4.7	1.08	4.4	1.00
	0.0	-0.7	5.5	1.21	5.3	1.14	5.0	1.07	4.8	1.03	4.7	1.00	4.4	0.93
	3.0	2.2	5.5	1.12	5.3	1.05	5.0	0.98	4.8	0.95	4.7	0.92	4.4	0.86
	5.0	4.1	5.5	1.06	5.3	1.00	5.0	0.94	4.8	0.91	4.7	0.88	4.4	0.82
	7.0	6.0	5.5	1.01	5.3	0.95	5.0	0.89	4.8	0.86	4.7	0.83	4.4	0.78
	9.0	7.9	5.5	0.95	5.3	0.90	5.0	0.85	4.8	0.82	4.7	0.79	4.4	0.74
	11.0	9.8	5.5	0.91	5.3	0.86	5.0	0.81	4.8	0.78	4.7	0.76	4.4	0.71
13.0	11.8	5.5	0.86	5.3	0.81	5.0	0.77	4.8	0.75	4.7	0.72	4.4	0.68	
15.0	13.7	5.5	0.82	5.3	0.78	5.0	0.73	4.8	0.71	4.7	0.69	4.4	0.64	
18.0	16.8	5.5	0.78	5.3	0.74	5.0	0.70	4.8	0.68	4.7	0.66	4.4	0.61	
20.0	18.5	5.5	0.75	5.3	0.71	5.0	0.68	4.8	0.66	4.7	0.63	4.4	0.59	
24.0	20.5	5.5	0.71	5.3	0.68	5.0	0.63	4.8	0.63	4.7	0.61	4.4	0.56	

Dc Inverter Multi VRF System Technical Sales Guide

GMV-80WL/C-T

TC—Total capacity of outdoor unit; PI—Power input of outdoor unit

Combination	Outdoor air temp		Indoor air temp °C DB											
			16		18		20		21		22		24	
	°C DB	°C WB	TC kW	PI kW	TC kW	PI kW	TC kW	PI kW	TC kW	PI kW	TC kW	PI kW	TC kW	PI kW
135%	-19.8	-20.0	5.8	1.34	5.8	1.44	5.8	1.53	5.8	1.58	5.7	1.63	5.7	1.72
	-18.8	-19.0	5.9	1.37	5.9	1.47	5.9	1.56	5.9	1.61	5.9	1.65	5.8	1.74
	-16.7	-17.0	6.1	1.44	6.1	1.52	6.1	1.62	6.1	1.65	6.1	1.71	6.1	1.80
	-13.7	-15.0	6.4	1.50	6.4	1.59	6.3	1.68	6.3	1.72	6.3	1.76	6.3	1.85
	-11.8	-13.0	6.7	1.57	6.7	1.65	6.6	1.73	6.6	1.78	6.6	1.82	6.6	1.90
	-9.8	-11.0	7.0	1.64	6.9	1.72	6.9	1.80	6.9	1.84	6.9	1.88	6.9	1.95
	-9.5	-10.0	7.1	1.67	7.1	1.75	7.1	1.83	7.1	1.87	7.1	1.90	7.1	1.98
	-8.5	-9.1	7.3	1.70	7.3	1.78	7.3	1.85	7.2	1.89	7.2	1.93	7.2	2.00
	-7.0	-7.6	7.5	1.75	7.5	1.83	7.5	1.90	7.5	1.93	7.5	1.97	7.5	2.04
	-5.0	-5.6	7.9	1.82	7.9	1.85	7.9	1.96	7.9	1.99	7.9	2.02	7.9	2.09
	-3.0	-3.7	8.3	1.88	8.3	1.94	8.3	2.01	8.3	2.04	8.3	2.08	8.2	2.14
	0.0	-0.7	9.0	1.97	9.0	2.03	8.9	2.09	8.9	2.12	8.9	2.15	8.9	2.21
	3.0	2.2	9.7	2.05	9.7	2.11	9.6	2.16	9.6	2.19	9.6	2.22	9.6	2.28
	5.0	4.1	10.2	2.10	10.1	2.16	10.1	2.21	10.1	2.24	10.1	2.26	10.1	2.31
	7.0	6.0	10.7	2.15	10.7	2.20	10.7	2.25	10.6	2.03	10.6	2.30	10.2	2.21
	9.0	7.9	11.2	2.20	11.2	2.25	11.2	2.29	11.2	2.32	10.9	2.27	10.2	2.08
	11.0	9.8	11.8	2.24	11.8	2.28	11.7	2.31	11.3	2.22	10.9	2.13	10.2	1.96
	13.0	11.8	12.4	2.28	12.4	2.33	11.7	2.17	11.3	2.08	10.9	2.00	10.2	1.84
15.0	13.7	13.0	2.32	12.5	2.20	11.7	2.04	11.3	1.96	10.9	1.89	10.2	1.73	
18.0	16.8	13.0	2.20	12.5	2.10	11.7	1.94	11.3	1.87	10.9	1.78	10.2	1.65	
20.0	18.5	13.0	2.09	12.5	2.00	11.7	1.85	11.3	1.78	10.9	1.69	10.2	1.57	
24.0	20.5	13.0	2.00	12.5	1.93	11.7	1.78	11.3	1.71	10.9	1.62	10.2	1.52	

Combination	Outdoor air temp		Indoor air temp °C DB											
			16		18		20		21		22		24	
	°C DB	°C WB	TC	PI	TC	PI	TC	PI	TC	PI	TC	PI	TC	PI
120%	-19.8	-20.0	5.8	1.47	5.8	1.56	5.7	1.65	5.7	1.69	5.7	1.73	5.7	1.82
	-18.8	-19.0	5.9	1.50	5.9	1.58	5.9	1.65	5.8	1.71	5.8	1.76	5.8	1.84
	-16.7	-17.0	6.1	1.56	6.1	1.64	6.1	1.72	6.1	1.76	6.1	1.81	6.0	1.89
	-13.7	-15.0	6.4	1.62	6.3	1.70	6.3	1.78	6.3	1.82	6.3	1.86	6.3	1.94
	-11.8	-13.0	6.6	1.68	6.6	1.76	6.6	1.83	6.6	1.87	6.6	1.91	6.6	1.99
	-9.8	-11.0	6.9	1.74	6.9	1.82	6.9	1.89	6.9	1.93	6.9	1.96	6.9	2.04
	-9.5	-10.0	7.1	1.78	7.1	1.85	7.1	1.92	7.1	1.95	7.1	1.97	7.0	2.06
	-8.5	-9.1	7.3	1.80	7.2	1.87	7.2	1.94	7.2	1.98	7.2	2.01	7.2	2.08
	-7.0	-7.6	7.5	1.85	7.5	1.92	7.5	1.98	7.5	2.02	7.5	2.05	7.5	2.12
	-5.0	-5.6	7.9	1.91	7.9	1.97	7.9	2.04	7.9	2.07	7.9	2.10	7.8	2.16
	-3.0	-3.7	8.3	1.97	8.3	2.03	8.3	2.09	8.3	2.12	8.2	2.15	8.2	2.21
	0.0	-0.7	8.9	2.05	8.9	2.11	8.9	2.19	8.9	2.19	8.9	2.22	8.9	2.28
	3.0	2.2	9.7	2.13	9.6	2.18	9.6	2.23	9.6	2.26	9.6	2.28	9.4	2.27
	5.0	4.1	10.1	2.17	10.1	2.22	10.1	2.27	10.1	2.30	10.1	2.32	9.4	2.13
	7.0	6.0	10.7	2.22	10.7	2.27	10.6	2.31	10.5	2.28	10.1	2.19	9.4	2.01
	9.0	7.9	11.2	2.26	11.2	2.31	10.8	2.23	10.5	2.14	10.1	2.06	9.4	1.89
	11.0	9.8	11.8	2.30	11.5	2.26	10.8	2.10	10.5	2.02	10.1	1.93	9.4	1.78
	13.0	11.8	12.2	2.28	11.5	2.12	10.8	1.97	10.5	1.89	10.1	1.82	9.4	1.67
15.0	13.7	12.2	2.15	11.5	2.00	10.8	1.86	10.5	1.78	10.1	1.71	9.4	1.58	
18.0	16.8	12.2	2.03	11.5	1.89	10.8	1.76	10.5	1.69	10.1	1.62	9.4	1.50	
20.0	18.5	12.2	1.92	11.5	1.81	10.8	1.69	10.5	1.61	10.1	1.55	9.4	1.43	
24.0	20.5	12.2	1.83	11.5	1.73	10.8	1.62	10.5	1.54	10.1	1.49	9.4	1.37	

Dc Inverter Multi VRF System Technical Sales Guide

Combination	Outdoor air temp		Indoor air temp °C DB											
			16		18		20		21		22		24	
	°C DB	°C WB	TC	PI	TC	PI	TC	PI	TC	PI	TC	PI	TC	PI
110%	-19.8	-20.0	5.8	1.60	5.7	1.68	5.7	1.76	5.7	1.80	5.7	1.84	5.7	1.92
	-18.8	-19.0	5.9	1.62	5.9	1.70	5.8	1.78	5.8	1.82	5.8	1.86	5.8	1.94
	-16.7	-17.0	6.1	1.68	6.1	1.75	6.1	1.83	6.0	1.87	6.0	1.91	6.0	1.98
	-13.7	-15.0	6.3	1.73	6.3	1.81	6.3	1.88	6.3	1.92	6.3	1.95	6.3	2.03
	-11.8	-13.0	6.6	1.79	6.6	1.86	6.6	1.93	6.6	1.97	6.5	2.00	6.5	2.07
	-9.8	-11.0	6.9	1.85	6.9	1.92	6.9	1.98	6.9	2.02	6.9	2.05	6.9	2.12
	-9.5	-10.0	7.1	1.88	7.1	1.94	7.0	2.01	7.0	2.04	7.0	2.08	7.0	2.14
	-8.5	-9.1	7.2	1.90	7.2	1.97	7.2	2.03	7.2	2.07	7.2	2.10	7.2	2.16
	-7.0	-7.6	7.5	1.95	7.5	2.01	7.5	2.07	7.5	2.10	7.5	2.13	7.4	2.19
	-5.0	-5.6	7.9	2.00	7.9	2.06	7.8	2.12	7.8	2.15	8.2	2.18	7.8	2.24
	-3.0	-3.7	8.3	2.06	8.3	2.11	8.2	2.17	8.2	2.19	8.9	2.22	8.2	2.28
	0.0	-0.7	8.9	2.13	8.9	2.18	8.9	2.24	8.9	2.26	9.3	2.29	8.6	2.24
	3.0	2.2	9.6	2.20	9.6	2.25	9.6	2.30	9.6	2.32	9.3	2.23	8.6	2.04
	5.0	4.1	10.1	2.25	10.1	2.29	9.9	2.27	9.6	2.18	9.3	2.09	8.6	1.92
	7.0	6.0	10.6	2.29	10.5	2.30	9.9	2.13	9.6	2.05	9.3	1.97	8.6	1.81
	9.0	7.9	11.2	2.32	10.5	2.16	9.9	2.01	9.6	1.93	9.3	1.85	8.6	1.70
	11.0	9.8	11.2	2.19	10.5	2.04	9.9	1.89	9.6	1.82	9.3	1.74	8.6	1.61
	13.0	11.8	11.2	2.05	10.5	1.91	9.9	1.77	9.6	1.71	9.3	1.64	8.6	1.51
15.0	13.7	11.2	1.93	10.5	1.80	9.9	1.68	9.6	1.61	9.3	1.55	8.6	1.43	
18.0	16.8	11.2	1.83	10.5	1.71	9.9	1.53	9.6	1.53	9.3	1.48	8.6	1.36	
20.0	18.5	11.2	1.73	10.5	1.62	9.9	1.45	9.6	1.45	9.3	1.42	8.6	1.30	
24.0	20.5	11.2	1.66	10.5	1.55	9.9	1.38	9.6	1.39	9.3	1.36	8.6	1.25	

Combination	Outdoor air temp		Indoor air temp °C DB											
			16		18		20		21		22		24	
	°C DB	°C WB	TC	PI	TC	PI	TC	PI	TC	PI	TC	PI	TC	PI
100%	-19.8	-20.0	5.7	1.73	5.7	1.80	5.7	1.87	5.7	1.91	5.7	1.94	5.7	2.02
	-18.8	-19.0	5.8	1.75	5.8	1.82	5.8	1.89	5.8	1.93	5.8	1.97	5.8	2.04
	-16.7	-17.0	6.1	1.80	6.0	1.87	6.0	1.94	6.0	1.97	6.0	2.01	6.0	2.08
	-13.7	-15.0	6.3	1.85	6.3	1.92	6.3	1.98	6.3	2.02	6.3	2.05	6.2	2.12
	-11.8	-13.0	6.6	1.90	6.6	1.97	6.5	2.03	6.5	2.06	6.5	2.02	6.5	2.16
	-9.8	-11.0	6.9	1.96	6.9	2.02	6.9	2.08	6.9	2.11	6.8	2.14	6.8	2.20
	-9.5	-10.0	7.1	1.98	7.0	2.04	7.0	2.10	7.0	2.13	7.0	2.16	7.0	2.22
	-8.5	-9.1	7.2	2.01	7.2	2.07	7.2	2.12	7.2	2.15	7.1	2.18	7.1	2.24
	-7.0	-7.6	7.5	2.05	7.5	2.10	7.4	2.16	7.4	2.19	7.4	2.21	7.4	2.27
	-5.0	-5.6	7.9	2.10	7.8	2.15	7.8	2.20	7.8	2.23	7.8	2.26	7.8	2.31
	-3.0	-3.7	8.2	2.14	8.2	2.19	8.2	2.2	8.2	2.27	8.2	2.29	7.9	2.20
	0.0	-0.7	8.9	2.22	8.9	2.26	8.9	2.3	8.7	2.27	8.4	2.18	7.9	2.00
	3.0	2.2	9.6	2.28	9.6	2.32	9.0	2.1	8.7	2.06	8.4	1.98	7.9	1.82
	5.0	4.1	10.1	2.32	9.6	2.18	9.0	2.0	8.7	1.94	8.4	1.87	7.9	1.71
	7.0	6.0	10.1	2.20	9.6	2.05	9.0	1.9	8.7	1.83	8.4	1.76	7.9	1.62
	9.0	7.9	10.1	2.07	9.6	1.93	9.0	1.8	8.7	1.72	8.4	1.66	7.9	1.52
	11.0	9.8	10.1	1.95	9.6	1.82	9.0	1.7	8.7	1.62	8.4	1.56	7.9	1.44
	13.0	11.8	10.1	1.83	9.6	1.71	9.0	1.6	8.7	1.53	8.4	1.47	7.9	1.36
	15.0	13.7	10.1	1.72	9.6	1.61	9.0	1.5	8.7	1.45	8.4	1.39	7.9	1.29
	18.0	16.8	10.1	1.63	9.6	1.54	9.0	1.45	8.7	1.37	8.4	1.32	7.9	1.23
20.0	18.5	10.1	1.53	9.6	1.48	9.0	1.39	8.7	1.31	8.4	1.26	7.9	1.18	
24.0	20.5	10.1	1.45	9.6	1.43	9.0	1.34	8.7	1.26	8.4	1.21	7.9	1.14	

Dc Inverter Multi VRF System Technical Sales Guide

Combination	Outdoor air temp		Indoor air temp °C DB											
			16		18		20		21		22		24	
	°C DB	°C WB	TC	PI	TC	PI	TC	PI	TC	PI	TC	PI	TC	PI
90%	-19.8	-20.0	6.2	1.86	6.1	1.92	6.1	1.99	6.1	2.02	6.1	2.05	6.1	2.12
	-18.8	-19.0	6.3	1.88	6.3	1.94	6.2	2.01	6.2	2.04	6.2	2.07	6.2	2.13
	-16.7	-17.0	6.5	1.92	6.5	1.98	6.5	2.05	6.5	2.08	6.4	2.11	6.4	2.17
	-13.7	-15.0	6.7	1.97	6.7	2.03	6.7	2.09	6.7	2.10	6.7	2.15	6.7	2.21
	-11.8	-13.0	7.0	2.02	7.0	2.07	7.0	2.13	7.0	2.16	7.0	2.19	6.9	2.24
	-9.8	-11.0	7.3	2.06	7.3	2.12	7.3	2.17	7.3	2.20	7.3	2.23	7.3	2.28
	-9.5	-10.0	7.5	2.09	7.5	2.14	7.5	2.19	7.4	2.22	7.4	2.25	7.4	2.30
	-8.5	-9.1	7.6	2.11	7.6	2.16	7.6	2.21	7.6	2.24	7.6	2.27	7.5	2.29
	-7.0	-7.6	7.9	2.14	7.9	2.19	7.9	2.25	7.9	2.27	7.9	2.29	7.5	2.18
	-5.0	-5.6	8.3	2.19	8.3	2.24	8.3	2.28	8.3	2.31	8.0	2.24	7.5	2.05
	-3.0	-3.7	8.7	2.23	8.7	2.03	8.6	2.29	8.3	2.20	8.0	2.11	7.5	1.93
	0.0	-0.7	9.3	2.30	9.1	1.99	8.6	2.08	8.3	1.99	8.0	1.91	7.5	1.76
	3.0	2.2	9.6	2.19	9.1	2.04	8.6	1.89	8.3	1.82	8.0	1.75	7.5	1.61
	5.0	4.1	9.6	2.06	9.1	1.92	8.6	1.78	8.3	1.71	8.0	1.65	7.5	1.52
	7.0	6.0	9.6	1.93	9.1	1.81	8.6	1.68	8.3	1.62	8.0	1.55	7.5	1.43
	9.0	7.9	9.6	1.82	9.1	1.70	8.6	1.58	8.3	1.52	8.0	1.47	7.5	1.35
	11.0	9.8	9.6	1.72	9.1	1.60	8.6	1.50	8.3	1.44	8.0	1.39	7.5	1.28
13.0	11.8	9.6	1.62	9.1	1.51	8.6	1.41	8.3	1.36	8.0	1.31	7.5	1.21	
15.0	13.7	9.6	1.53	9.1	1.43	8.6	1.33	8.3	1.28	8.0	1.24	7.5	1.15	
18.0	16.8	9.6	1.44	9.1	1.35	8.6	1.27	8.3	1.21	8.0	1.18	7.5	1.09	
20.0	18.5	9.6	1.36	9.1	1.28	8.6	1.20	8.3	1.14	8.0	1.12	7.5	1.04	
24.0	20.5	9.6	1.29	9.1	1.20	8.6	1.14	8.3	1.08	8.0	1.06	7.5	1.00	

Combination	Outdoor air temp		Indoor air temp °C DB											
			16		18		20		21		22		24	
	°C DB	°C WB	TC	PI	TC	PI	TC	PI	TC	PI	TC	PI	TC	PI
80%	-19.8	-20.0	6.1	1.98	6.1	2.04	6.1	2.10	6.1	2.13	6.1	2.16	6.1	2.22
	-18.8	-19.0	6.2	2.00	6.2	2.06	6.2	2.12	6.2	2.15	6.2	2.17	6.2	2.23
	-16.7	-17.0	6.5	2.04	6.4	2.10	6.4	2.15	6.4	2.18	6.4	2.21	6.4	2.26
	-13.7	-15.0	6.7	2.09	6.7	2.14	6.7	2.19	6.7	2.22	6.7	2.24	6.7	2.30
	-11.8	-13.0	7.0	2.13	7.0	2.18	6.9	2.23	6.9	2.25	6.9	2.28	6.7	2.22
	-9.8	-11.0	7.3	2.17	7.3	2.22	7.3	2.27	7.3	2.29	7.2	2.28	6.7	2.09
	-9.5	-10.0	7.5	2.19	7.4	2.24	7.4	2.28	7.4	2.31	7.2	2.22	6.7	2.03
	-8.5	-9.1	7.6	2.21	7.6	2.26	7.6	2.30	7.4	2.25	7.2	2.16	6.7	1.98
	-7.0	-7.6	7.9	2.24	7.9	2.29	7.7	2.24	7.4	2.15	7.2	2.06	6.7	1.90
	-5.0	-5.6	8.3	2.04	8.1	2.27	7.7	2.10	7.4	2.02	7.2	1.94	6.7	1.78
	-3.0	-3.7	8.6	2.05	8.1	2.14	7.7	1.98	7.4	1.91	7.2	1.83	6.7	1.68
	0.0	-0.7	8.6	2.08	8.1	1.94	7.7	1.80	7.4	1.73	7.2	1.67	6.7	1.53
	3.0	2.2	8.6	1.90	8.1	1.77	7.7	1.65	7.4	1.58	7.2	1.52	6.7	1.41
	5.0	4.1	8.6	1.79	8.1	1.67	7.7	1.55	7.4	1.50	7.2	1.44	6.7	1.33
	7.0	6.0	8.6	1.68	8.1	1.58	7.7	1.47	7.4	1.41	7.2	1.36	6.7	1.26
	9.0	7.9	8.6	1.59	8.1	1.49	7.7	1.39	7.4	1.33	7.2	1.29	6.7	1.19
	11.0	9.8	8.6	1.50	8.1	1.40	7.7	1.31	7.4	1.26	7.2	1.22	6.7	1.13
	13.0	11.8	8.6	1.41	8.1	1.33	7.7	1.24	7.4	1.19	7.2	1.15	6.7	1.07
15.0	13.7	8.6	1.34	8.1	1.26	7.7	1.17	7.4	1.13	7.2	1.09	6.7	1.02	
18.0	16.8	8.6	1.28	8.1	1.19	7.7	1.12	7.4	1.08	7.2	1.04	6.7	0.97	
20.0	18.5	8.6	1.23	8.1	1.14	7.7	1.07	7.4	1.03	7.2	0.99	6.7	0.93	
24.0	20.5	8.6	1.19	8.1	1.11	7.7	1.02	7.4	0.98	7.2	0.94	6.7	0.89	

Dc Inverter Multi VRF System Technical Sales Guide

Combination	Outdoor air temp		Indoor air temp °C DB											
			16		18		20		21		22		24	
	°C DB	°C WB	TC	PI	TC	PI	TC	PI	TC	PI	TC	PI	TC	PI
70%	-19.8	-20.0	6.1	2.11	6.1	2.16	6.1	2.21	6.1	2.24	6.1	2.27	5.9	2.24
	-18.8	-19.0	6.2	2.13	6.2	2.18	6.2	2.23	6.2	2.25	6.2	2.28	5.9	2.19
	-16.7	-17.0	6.4	2.16	6.4	2.21	6.4	2.26	6.4	2.28	6.3	2.28	5.9	2.09
	-13.7	-15.0	6.7	2.20	6.7	2.25	6.7	2.29	6.5	2.20	6.3	2.17	5.9	1.99
	-11.8	-13.0	6.9	2.24	6.9	2.28	6.8	2.23	6.5	2.14	6.3	2.06	5.9	1.89
	-9.8	-11.0	7.3	2.28	7.2	2.27	6.8	2.10	6.5	2.02	6.3	1.94	5.9	1.78
	-9.5	-10.0	7.4	2.29	7.2	2.21	6.8	2.04	6.5	1.96	6.3	1.89	5.9	1.73
	-8.5	-9.1	7.6	2.31	7.2	2.15	6.8	1.99	6.5	1.91	6.3	1.84	5.9	1.69
	-7.0	-7.6	7.6	2.20	7.2	2.05	6.8	1.90	6.5	1.83	6.3	1.76	5.9	1.62
	-5.0	-5.6	7.6	2.07	7.2	1.93	6.8	1.79	6.5	1.72	6.3	1.66	5.9	1.53
	-3.0	-3.7	7.6	1.95	7.2	1.82	6.8	1.69	6.5	1.63	6.3	1.56	5.9	1.44
	0.0	-0.7	7.6	1.77	7.2	1.67	6.8	1.54	6.5	1.49	6.3	1.43	5.9	1.32
	3.0	2.2	7.6	1.62	7.2	0.04	6.8	1.41	6.5	1.36	6.3	1.31	5.9	1.21
	5.0	4.1	7.6	1.53	7.2	1.43	6.8	1.34	6.5	1.29	6.3	1.24	5.9	1.15
	7.0	6.0	7.6	1.45	7.2	1.35	6.8	1.26	6.5	1.22	6.3	1.18	5.9	1.09
	9.0	7.9	7.6	1.37	7.2	1.28	6.8	1.20	6.5	1.15	6.3	1.12	5.9	1.03
	11.0	9.8	7.6	1.29	7.2	1.21	6.8	1.14	6.5	1.10	6.3	1.06	5.9	0.98
	13.0	11.8	7.6	1.22	7.2	1.15	6.8	1.07	6.5	1.04	6.3	1.00	5.9	0.93
15.0	13.7	7.6	1.16	7.2	1.09	6.8	1.02	6.5	0.99	6.3	0.95	5.9	0.89	
18.0	16.8	7.6	1.10	7.2	1.03	6.8	0.97	6.5	0.94	6.3	0.91	5.9	0.85	
20.0	18.5	7.6	1.05	7.2	0.98	6.8	0.93	6.5	0.90	6.3	0.87	5.9	0.81	
24.0	20.5	7.6	1.00	7.2	0.94	6.8	0.89	6.5	0.86	6.3	0.84	5.9	0.78	

Combination	Outdoor air temp		Indoor air temp °C DB											
			16		18		20		21		22		24	
	°C DB	°C WB	TC	PI	TC	PI	TC	PI	TC	PI	TC	PI	TC	PI
60%	-19.8	-20.0	6.1	2.24	6.1	2.28	5.9	2.20	5.7	2.11	5.5	2.03	5.2	1.86
	-18.8	-19.0	6.2	2.26	6.2	2.30	5.9	2.15	5.7	2.07	5.5	1.98	5.2	1.82
	-16.7	-17.0	6.4	2.28	6.2	2.21	5.9	2.05	5.7	1.97	5.5	1.89	5.2	1.74
	-13.7	-15.0	6.5	2.26	6.2	2.10	5.9	1.95	5.7	1.88	5.5	1.80	5.2	1.66
	-11.8	-13.0	6.5	2.14	6.2	1.99	5.9	1.85	5.7	1.78	5.5	1.71	5.2	1.57
	-9.8	-11.0	6.5	2.02	6.2	1.88	5.9	1.75	5.7	1.68	5.5	1.62	5.2	1.49
	-9.5	-10.0	6.5	1.96	6.2	1.83	5.9	1.70	5.7	1.64	5.5	1.57	5.2	1.45
	-8.5	-9.1	6.5	1.91	6.2	1.78	5.9	1.66	5.7	1.60	5.5	1.53	5.2	1.42
	-7.0	-7.6	6.5	1.83	6.2	1.71	5.9	1.59	5.7	1.53	5.5	1.47	5.2	1.36
	-5.0	-5.6	6.5	1.72	6.2	1.61	5.9	1.50	5.7	1.44	5.5	1.39	5.2	1.29
	-3.0	-3.7	6.5	1.63	6.2	1.52	5.9	1.42	5.7	1.37	5.5	1.32	5.2	1.22
	0.0	-0.7	6.5	1.49	6.2	1.39	5.9	1.30	5.7	1.25	5.5	1.21	5.2	1.12
	3.0	2.2	6.5	1.36	6.2	1.28	5.9	1.19	5.7	1.15	5.5	1.11	5.2	0.04
	5.0	4.1	6.5	1.29	6.2	1.21	5.9	1.13	5.7	1.09	5.5	1.05	5.2	0.98
	7.0	6.0	6.5	1.22	6.2	1.14	5.9	1.07	5.7	1.04	5.5	1.00	5.2	0.93
	9.0	7.9	6.5	1.15	6.2	1.09	5.9	1.02	5.7	0.98	5.5	0.95	5.2	0.89
	11.0	9.8	6.5	1.10	6.2	1.03	5.9	0.97	5.7	0.94	5.5	0.90	5.2	0.84
13.0	11.8	6.5	1.04	6.2	0.98	5.9	0.92	5.7	0.89	5.5	0.86	5.2	0.80	
15.0	13.7	6.5	0.99	6.2	0.93	5.9	0.87	5.7	0.85	5.5	0.82	5.2	0.76	
18.0	16.8	6.5	0.94	6.2	0.88	5.9	0.83	5.7	0.81	5.5	0.78	5.2	0.73	
20.0	18.5	6.5	0.90	6.2	0.84	5.9	0.80	5.7	0.78	5.5	0.76	5.2	0.71	
24.0	20.5	6.5	0.87	6.2	0.81	5.9	0.77	5.7	0.75	5.5	0.73	5.2	0.68	

Dc Inverter Multi VRF System Technical Sales Guide

Combination	Outdoor air temp		Indoor air temp °C DB											
			16		18		20		21		22		24	
	°C DB	°C WB	TC	PI	TC	PI	TC	PI	TC	PI	TC	PI	TC	PI
50%	-19.8	-20.0	5.5	2.04	5.3	1.90	5.0	1.76	4.8	1.70	4.7	1.63	4.4	1.50
	-18.8	-19.0	5.5	1.99	5.3	1.86	5.0	1.73	4.8	1.66	4.7	1.60	4.4	1.47
	-16.7	-17.0	5.5	1.90	5.3	1.77	5.0	1.65	4.8	1.59	4.7	1.53	4.4	1.41
	-13.7	-15.0	5.5	1.81	5.3	1.69	5.0	1.57	4.8	1.52	4.7	1.46	4.4	1.35
	-11.8	-13.0	5.5	1.72	5.3	1.61	5.0	1.50	4.8	1.44	4.7	1.39	4.4	1.28
	-9.8	-11.0	5.5	1.63	5.3	1.52	5.0	1.42	4.8	1.37	4.7	1.32	4.4	1.22
	-9.5	-10.0	5.5	1.58	5.3	1.48	5.0	1.38	4.8	1.33	4.7	1.28	4.4	1.19
	-8.5	-9.1	5.5	1.54	5.3	1.45	5.0	1.35	4.8	1.30	4.7	1.25	4.4	1.16
	-7.0	-7.6	5.5	1.48	5.3	1.39	5.0	1.29	4.8	1.25	4.7	1.20	4.4	1.12
	-5.0	-5.6	5.5	1.40	5.3	1.31	5.0	1.22	4.8	1.18	4.7	1.14	4.4	1.06
	-3.0	-3.7	5.5	1.32	5.3	1.24	5.0	1.16	4.8	1.12	4.7	1.08	4.4	1.00
	0.0	-0.7	5.5	1.21	5.3	1.14	5.0	1.07	4.8	1.03	4.7	1.00	4.4	0.93
	3.0	2.2	5.5	1.12	5.3	1.05	5.0	0.98	4.8	0.95	4.7	0.92	4.4	0.86
	5.0	4.1	5.5	1.06	5.3	1.00	5.0	0.94	4.8	0.91	4.7	0.88	4.4	0.82
	7.0	6.0	5.5	1.01	5.3	0.95	5.0	0.89	4.8	0.86	4.7	0.83	4.4	0.78
	9.0	7.9	5.5	0.95	5.3	0.90	5.0	0.85	4.8	0.82	4.7	0.79	4.4	0.74
	11.0	9.8	5.5	0.91	5.3	0.86	5.0	0.81	4.8	0.78	4.7	0.76	4.4	0.71
	13.0	11.8	5.5	0.86	5.3	0.81	5.0	0.77	4.8	0.75	4.7	0.72	4.4	0.68
	15.0	13.7	5.5	0.82	5.3	0.78	5.0	0.73	4.8	0.71	4.7	0.69	4.4	0.64
	18.0	16.8	5.5	0.78	5.3	0.74	5.0	0.70	4.8	0.68	4.7	0.66	4.4	0.61
20.0	18.5	5.5	0.75	5.3	0.71	5.0	0.68	4.8	0.66	4.7	0.63	4.4	0.59	
24.0	20.5	5.5	0.71	5.3	0.68	5.0	0.63	4.8	0.63	4.7	0.61	4.4	0.56	

GMV-100WL/A-T

TC—Total capacity of outdoor unit; PI—Power input of outdoor unit

Combination	Outdoor air temp		Indoor air temp °C DB											
			16		18		20		21		22		24	
	°C DB	°C WB	TC kW	PI kW	TC kW	PI kW	TC kW	PI kW	TC kW	PI kW	TC kW	PI kW	TC kW	PI kW
135%	-19.8	-20.0	7.1	1.70	7.1	1.81	7.1	1.94	7.1	1.99	7.0	2.05	7.0	2.18
	-18.8	-19.0	7.2	1.73	7.2	1.85	7.2	1.97	7.2	2.03	7.2	2.09	7.1	2.20
	-16.7	-17.0	7.5	1.81	7.5	1.93	7.4	2.04	7.4	2.09	7.4	2.15	7.4	2.27
	-13.7	-15.0	7.8	1.90	7.8	2.01	7.8	2.12	7.8	2.17	7.7	2.23	7.7	2.33
	-11.8	-13.0	8.1	1.98	8.1	2.09	8.1	2.19	8.1	2.24	8.1	2.30	8.0	2.40
	-9.8	-11.0	8.5	2.07	8.5	2.17	8.5	2.27	8.5	2.32	8.5	2.37	8.4	2.47
	-9.5	-10.0	8.7	2.11	8.7	2.21	8.7	2.31	8.7	2.36	8.6	2.40	8.6	2.50
	-8.5	-9.1	8.9	2.15	8.9	2.24	8.9	2.34	8.8	2.39	8.8	2.43	8.8	2.53
	-7.0	-7.6	9.2	2.21	9.2	2.31	9.2	2.40	9.2	2.44	9.1	2.49	9.1	2.58
	-5.0	-5.6	9.7	2.30	9.7	2.34	9.6	2.47	9.6	2.52	9.6	2.56	9.6	2.64
	-3.0	-3.7	10.2	2.37	10.1	2.46	10.1	2.54	10.1	2.58	10.1	2.62	10.1	2.70
	0.0	-0.7	11.0	2.49	11.0	2.57	10.9	2.64	10.9	2.68	10.9	2.72	10.9	2.79
	3.0	2.2	11.8	2.59	11.8	2.66	11.8	2.73	11.8	2.77	11.8	2.81	11.7	2.87
	5.0	4.1	12.4	2.66	12.4	2.72	12.4	2.79	12.4	2.82	12.4	2.86	12.3	2.92
	7.0	6.0	13.1	2.72	13.0	2.78	13.0	2.85	13.0	2.57	13.0	2.91	12.5	2.79
	9.0	7.9	13.7	2.77	13.7	2.84	13.7	2.90	13.7	2.93	13.4	2.87	12.5	2.62
	11.0	9.8	14.4	2.83	14.4	2.89	14.3	2.92	13.8	2.81	13.4	2.69	12.5	2.47
	13.0	11.8	15.2	2.88	15.2	2.94	14.3	2.74	13.8	2.63	13.4	2.53	12.5	2.32
15.0	13.7	15.9	2.93	15.2	2.78	14.3	2.58	13.8	2.48	13.4	2.38	12.5	2.19	
18.0	16.8	15.9	2.78	15.2	2.65	14.3	2.45	13.8	2.36	13.4	2.25	12.5	2.08	
20.0	18.5	15.9	2.64	15.2	2.53	14.3	2.33	13.8	2.25	13.4	2.14	12.5	1.99	
24.0	20.5	15.9	2.53	15.2	2.43	14.3	2.24	13.8	2.16	13.4	2.04	12.5	1.91	

Dc Inverter Multi VRF System Technical Sales Guide

Combination	Outdoor air temp		Indoor air temp °C DB											
			16		18		20		21		22		24	
	°C DB	°C WB	TC	PI	TC	PI	TC	PI	TC	PI	TC	PI	TC	PI
120%	-19.8	-20.0	7.1	1.86	7.1	1.97	7.0	2.08	7.0	2.13	7.0	2.19	7.0	2.30
	-18.8	-19.0	7.2	1.89	7.2	2.00	7.2	2.09	7.1	2.16	7.1	2.22	7.1	2.33
	-16.7	-17.0	7.5	1.97	7.4	2.07	7.4	2.18	7.4	2.23	7.4	2.28	7.4	2.38
	-13.7	-15.0	7.8	2.04	7.8	2.14	7.7	2.24	7.7	2.30	7.7	2.35	7.7	2.45
	-11.8	-13.0	8.1	2.12	8.1	2.22	8.1	2.32	8.1	2.37	8.0	2.41	8.0	2.51
	-9.8	-11.0	8.5	2.20	8.5	2.29	8.5	2.39	8.4	2.43	8.4	2.48	8.4	2.57
	-9.5	-10.0	8.7	2.24	8.7	2.33	8.6	2.42	8.6	2.47	8.6	2.49	8.6	2.60
	-8.5	-9.1	8.9	2.28	8.8	2.37	8.8	2.45	8.8	2.50	8.8	2.54	8.8	2.63
	-7.0	-7.6	9.2	2.34	9.2	2.42	9.1	2.51	9.1	2.55	9.1	2.59	9.1	2.67
	-5.0	-5.6	9.7	2.41	9.6	2.49	9.6	2.57	9.6	2.62	9.6	2.66	9.6	2.73
	-3.0	-3.7	10.1	2.48	10.1	2.56	10.1	2.64	10.1	2.67	10.1	2.71	10.1	2.79
	0.0	-0.7	10.9	2.59	10.9	2.66	10.9	2.76	10.9	2.77	10.9	2.80	10.9	2.87
	3.0	2.2	11.8	2.69	11.8	2.75	11.8	2.82	11.7	2.85	11.7	2.88	11.5	2.87
	5.0	4.1	12.4	2.75	12.4	2.81	12.4	2.87	12.3	2.90	12.3	2.93	11.5	2.69
	7.0	6.0	13.0	2.80	13.0	2.86	13.0	2.92	12.8	2.88	12.4	2.76	11.5	2.53
	9.0	7.9	13.7	2.86	13.7	2.91	13.2	2.82	12.8	2.71	12.4	2.60	11.5	2.38
	11.0	9.8	14.4	2.91	14.0	2.86	13.2	2.65	12.8	2.55	12.4	2.44	11.5	2.25
	13.0	11.8	14.9	2.88	14.0	2.68	13.2	2.48	12.8	2.39	12.4	2.30	11.5	2.11
15.0	13.7	14.9	2.71	14.0	2.52	13.2	2.34	12.8	2.25	12.4	2.17	11.5	1.99	
18.0	16.8	14.9	2.56	14.0	2.39	13.2	2.23	12.8	2.14	12.4	2.05	11.5	1.89	
20.0	18.5	14.9	2.43	14.0	2.28	13.2	2.13	12.8	2.04	12.4	1.95	11.5	1.80	
24.0	20.5	14.9	2.31	14.0	2.19	13.2	2.05	12.8	1.95	12.4	1.88	11.5	1.73	

Combination	Outdoor air temp		Indoor air temp °C DB											
			16		18		20		21		22		24	
	°C DB	°C WB	TC	PI	TC	PI	TC	PI	TC	PI	TC	PI	TC	PI
110%	-19.8	-20.0	7.1	2.02	7.0	2.12	7.0	2.22	7.0	2.27	7.0	2.32	6.9	2.42
	-18.8	-19.0	7.2	2.05	7.2	2.15	7.1	2.25	7.1	2.30	7.1	2.35	7.1	2.45
	-16.7	-17.0	7.4	2.12	7.4	2.22	7.4	2.31	7.4	2.36	7.4	2.41	7.3	2.50
	-13.7	-15.0	7.8	2.19	7.7	2.28	7.7	2.38	7.7	2.42	7.7	2.47	7.6	2.56
	-11.8	-13.0	8.1	2.27	8.1	2.35	8.0	2.44	8.0	2.48	8.0	2.53	8.0	2.62
	-9.8	-11.0	8.5	2.34	8.4	2.42	8.4	2.51	8.4	2.55	8.4	2.59	8.4	2.67
	-9.5	-10.0	8.7	2.38	8.6	2.46	8.6	2.54	8.6	2.58	8.6	2.62	8.6	2.70
	-8.5	-9.1	8.8	2.41	8.8	2.49	8.8	2.57	8.8	2.61	8.8	2.65	8.8	2.73
	-7.0	-7.6	9.1	2.46	9.1	2.54	9.1	2.62	9.1	2.66	9.2	2.69	9.1	2.77
	-5.0	-5.6	9.6	2.53	9.6	2.61	9.6	2.68	9.6	2.71	10.0	2.75	9.5	2.83
	-3.0	-3.7	10.1	2.60	10.1	2.66	10.1	2.74	10.1	2.77	10.9	2.81	10.0	2.88
	0.0	-0.7	10.9	2.69	10.9	2.76	10.9	2.82	10.9	2.86	11.3	2.89	10.5	2.83
	3.0	2.2	11.8	2.78	11.7	2.84	11.7	2.90	11.7	2.93	11.3	2.81	10.5	2.58
	5.0	4.1	12.4	2.84	12.4	2.90	12.1	2.87	11.7	2.75	11.3	2.64	10.5	2.42
	7.0	6.0	13.0	2.89	12.9	2.91	12.1	2.69	11.7	2.59	11.3	2.48	10.5	2.28
	9.0	7.9	13.7	2.94	12.9	2.73	12.1	2.53	11.7	2.43	11.3	2.34	10.5	2.15
	11.0	9.8	13.7	2.76	12.9	2.57	12.1	2.38	11.7	2.29	11.3	2.20	10.5	2.03
	13.0	11.8	13.7	2.59	12.9	2.41	12.1	2.24	11.7	2.16	11.3	2.07	10.5	1.91
15.0	13.7	13.7	2.44	12.9	2.28	12.1	2.12	11.7	2.04	11.3	1.96	10.5	1.81	
18.0	16.8	13.7	2.31	12.9	2.16	12.1	1.93	11.7	1.93	11.3	1.87	10.5	1.72	
20.0	18.5	13.7	2.19	12.9	2.05	12.1	1.83	11.7	1.84	11.3	1.79	10.5	1.65	
24.0	20.5	13.7	2.09	12.9	1.96	12.1	1.74	11.7	1.76	11.3	1.72	10.5	1.58	

Dc Inverter Multi VRF System Technical Sales Guide

Combination	Outdoor air temp		Indoor air temp °C DB											
			16		18		20		21		22		24	
	°C DB	°C WB	TC	PI	TC	PI	TC	PI	TC	PI	TC	PI	TC	PI
100%	-19.8	-20.0	7.0	2.18	7.0	2.27	7.0	2.37	6.9	2.41	6.9	2.46	6.9	2.55
	-18.8	-19.0	7.1	2.21	7.1	2.30	7.1	2.39	7.1	2.44	7.1	2.48	7.1	2.57
	-16.7	-17.0	7.4	2.27	7.4	2.36	7.4	2.45	7.4	2.49	7.3	2.53	7.3	2.62
	-13.7	-15.0	7.7	2.34	7.7	2.42	7.7	2.51	7.6	2.55	7.6	2.59	7.6	2.67
	-11.8	-13.0	8.0	2.41	8.0	2.48	8.0	2.57	8.0	2.61	8.0	2.55	8.0	2.73
	-9.8	-11.0	8.4	2.47	8.4	2.55	8.4	2.62	8.4	2.66	8.3	2.70	8.3	2.78
	-9.5	-10.0	8.6	2.51	8.6	2.58	8.6	2.66	8.6	2.69	8.6	2.73	8.5	2.81
	-8.5	-9.1	8.8	2.53	8.8	2.61	8.8	2.68	8.8	2.72	8.7	2.76	8.7	2.83
	-7.0	-7.6	9.1	2.58	9.1	2.66	9.1	2.72	9.1	2.76	9.1	2.80	9.0	2.87
	-5.0	-5.6	9.6	2.65	9.6	2.71	9.6	2.78	9.5	2.82	9.5	2.85	9.5	2.92
	-3.0	-3.7	10.1	2.71	10.1	2.77	10.0	2.8	10.0	2.87	10.0	2.90	9.6	2.78
	0.0	-0.7	10.9	2.80	10.9	2.86	10.8	2.9	10.7	2.87	10.3	2.75	9.6	2.52
	3.0	2.2	11.7	2.88	11.7	2.93	11.0	2.7	10.7	2.61	10.3	2.50	9.6	2.30
	5.0	4.1	12.3	2.93	11.7	2.75	11.0	2.5	10.7	2.45	10.3	2.36	9.6	2.17
	7.0	6.0	12.4	2.78	11.7	2.59	11.0	2.4	10.7	2.31	10.3	2.22	9.6	2.04
	9.0	7.9	12.4	2.61	11.7	2.43	11.0	2.3	10.7	2.18	10.3	2.09	9.6	1.93
	11.0	9.8	12.4	2.46	11.7	2.29	11.0	2.1	10.7	2.05	10.3	1.97	9.6	1.82
	13.0	11.8	12.4	2.31	11.7	2.16	11.0	2.0	10.7	1.93	10.3	1.86	9.6	1.72
	15.0	13.7	12.4	2.18	11.7	2.04	11.0	1.9	10.7	1.83	10.3	1.76	9.6	1.63
	18.0	16.8	12.4	2.05	11.7	1.94	11.0	1.83	10.7	1.73	10.3	1.66	9.6	1.55
20.0	18.5	12.4	1.94	11.7	1.86	11.0	1.76	10.7	1.66	10.3	1.59	9.6	1.49	
24.0	20.5	12.4	1.83	11.7	1.80	11.0	1.69	10.7	1.59	10.3	1.52	9.6	1.44	

Combination	Outdoor air temp		Indoor air temp °C DB											
			16		18		20		21		22		24	
	°C DB	°C WB	TC	PI	TC	PI	TC	PI	TC	PI	TC	PI	TC	PI
90%	-19.8	-20.0	7.5	2.34	7.5	2.42	7.5	2.51	7.5	2.55	7.5	2.59	7.5	2.67
	-18.8	-19.0	7.6	2.37	7.6	2.45	7.6	2.53	7.6	2.57	7.6	2.62	7.6	2.70
	-16.7	-17.0	7.9	2.43	7.9	2.51	7.9	2.58	7.9	2.62	7.8	2.66	7.8	2.74
	-13.7	-15.0	8.2	2.49	8.2	2.56	8.2	2.64	8.2	2.65	8.2	2.71	8.2	2.79
	-11.8	-13.0	8.5	2.55	8.5	2.62	8.5	2.69	8.5	2.73	8.5	2.76	8.5	2.83
	-9.8	-11.0	8.9	2.61	8.9	2.67	8.9	2.74	8.9	2.78	8.9	2.81	8.9	2.88
	-9.5	-10.0	9.1	2.64	9.1	2.71	9.1	2.77	9.1	2.81	9.1	2.84	9.1	2.90
	-8.5	-9.1	9.3	2.66	9.3	2.73	9.3	2.80	9.3	2.83	9.3	2.86	9.2	2.89
	-7.0	-7.6	9.6	2.71	9.6	2.77	9.6	2.84	9.6	2.87	9.6	2.90	9.2	2.76
	-5.0	-5.6	10.1	2.77	10.1	2.83	10.1	2.89	10.1	2.92	9.8	2.83	9.2	2.59
	-3.0	-3.7	10.6	2.82	10.6	2.57	10.5	2.89	10.1	2.77	9.8	2.66	9.2	2.44
	0.0	-0.7	11.4	2.90	11.1	2.52	10.5	2.62	10.1	2.52	9.8	2.42	9.2	2.22
	3.0	2.2	11.7	2.76	11.1	2.57	10.5	2.39	10.1	2.30	9.8	2.21	9.2	2.03
	5.0	4.1	11.7	2.60	11.1	2.42	10.5	2.25	10.1	2.16	9.8	2.08	9.2	1.92
	7.0	6.0	11.7	2.44	11.1	2.28	10.5	2.12	10.1	2.04	9.8	1.96	9.2	1.81
	9.0	7.9	11.7	2.30	11.1	2.15	10.5	2.00	10.1	1.93	9.8	1.85	9.2	1.71
	11.0	9.8	11.7	2.17	11.1	2.03	10.5	1.89	10.1	1.82	9.8	1.75	9.2	1.62
	13.0	11.8	11.7	2.04	11.1	1.91	10.5	1.78	10.1	1.72	9.8	1.66	9.2	1.53
15.0	13.7	11.7	1.93	11.1	1.80	10.5	1.69	10.1	1.62	9.8	1.57	9.2	1.45	
18.0	16.8	11.7	1.82	11.1	1.70	10.5	1.60	10.1	1.53	9.8	1.49	9.2	1.38	
20.0	18.5	11.7	1.72	11.1	1.61	10.5	1.52	10.1	1.44	9.8	1.41	9.2	1.32	
24.0	20.5	11.7	1.63	11.1	1.52	10.5	1.44	10.1	1.36	9.8	1.34	9.2	1.26	

Dc Inverter Multi VRF System Technical Sales Guide

Combination	Outdoor air temp		Indoor air temp °C DB											
			16		18		20		21		22		24	
	°C DB	°C WB	TC	PI	TC	PI	TC	PI	TC	PI	TC	PI	TC	PI
80%	-19.8	-20.0	7.5	2.51	7.5	2.58	7.5	2.65	7.5	2.69	7.4	2.73	7.4	2.80
	-18.8	-19.0	7.6	2.53	7.6	2.60	7.6	2.67	7.6	2.71	7.6	2.75	7.5	2.82
	-16.7	-17.0	7.9	2.58	7.8	2.65	7.8	2.72	7.8	2.76	7.8	2.79	7.8	2.86
	-13.7	-15.0	8.2	2.63	8.2	2.70	8.2	2.77	8.2	2.80	8.1	2.83	8.1	2.90
	-11.8	-13.0	8.5	2.69	8.5	2.75	8.5	2.81	8.5	2.85	8.5	2.88	8.2	2.80
	-9.8	-11.0	8.9	2.74	8.9	2.80	8.9	2.86	8.9	2.89	8.8	2.89	8.2	2.65
	-9.5	-10.0	9.1	2.77	9.1	2.83	9.1	2.89	9.1	2.92	8.8	2.80	8.2	2.57
	-8.5	-9.1	9.3	2.79	9.3	2.85	9.2	2.91	9.1	2.85	8.8	2.73	8.2	2.50
	-7.0	-7.6	9.6	2.83	9.6	2.89	9.4	2.83	9.1	2.71	8.8	2.61	8.2	2.40
	-5.0	-5.6	10.1	2.57	9.9	2.87	9.4	2.66	9.1	2.55	8.8	2.45	8.2	2.25
	-3.0	-3.7	10.5	2.59	9.9	2.70	9.4	2.50	9.1	2.42	8.8	2.31	8.2	2.13
	0.0	-0.7	10.5	2.63	9.9	2.45	9.4	2.28	9.1	2.19	8.8	2.10	8.2	1.94
	3.0	2.2	10.5	2.40	9.9	2.23	9.4	2.08	9.1	2.00	8.8	1.93	8.2	1.78
	5.0	4.1	10.5	2.26	9.9	2.11	9.4	1.96	9.1	1.89	8.8	1.82	8.2	1.68
	7.0	6.0	10.5	2.13	9.9	1.99	9.4	1.85	9.1	1.79	8.8	1.72	8.2	1.59
	9.0	7.9	10.5	2.01	9.9	1.88	9.4	1.76	9.1	1.69	8.8	1.63	8.2	1.51
	11.0	9.8	10.5	1.90	9.9	1.77	9.4	1.66	9.1	1.60	8.8	1.54	8.2	1.43
13.0	11.8	10.5	1.79	9.9	1.67	9.4	1.56	9.1	1.51	8.8	1.46	8.2	1.35	
15.0	13.7	10.5	1.69	9.9	1.59	9.4	1.48	9.1	1.43	8.8	1.38	8.2	1.28	
18.0	16.8	10.5	1.61	9.9	1.51	9.4	1.41	9.1	1.36	8.8	1.31	8.2	1.22	
20.0	18.5	10.5	1.55	9.9	1.45	9.4	1.35	9.1	1.30	8.8	1.25	8.2	1.17	
24.0	20.5	10.5	1.50	9.9	1.40	9.4	1.29	9.1	1.24	8.8	1.19	8.2	1.12	

Combination	Outdoor air temp		Indoor air temp °C DB											
			16		18		20		21		22		24	
	°C DB	°C WB	TC	PI	TC	PI	TC	PI	TC	PI	TC	PI	TC	PI
70%	-19.8	-20.0	7.5	2.67	7.4	2.73	7.4	2.80	7.4	2.83	7.4	2.86	7.3	2.83
	-18.8	-19.0	7.6	2.69	7.6	2.75	7.5	2.81	7.5	2.85	7.5	2.88	7.3	2.77
	-16.7	-17.0	7.8	2.73	7.8	2.80	7.8	2.86	7.8	2.89	7.7	2.88	7.3	2.64
	-13.7	-15.0	8.2	2.78	8.1	2.84	8.1	2.90	8.0	2.78	7.7	2.74	7.3	2.51
	-11.8	-13.0	8.5	2.83	8.5	2.88	8.3	2.81	8.0	2.71	7.7	2.60	7.3	2.38
	-9.8	-11.0	8.9	2.87	8.8	2.87	8.3	2.66	8.0	2.56	7.7	2.45	7.3	2.25
	-9.5	-10.0	9.1	2.90	8.8	2.79	8.3	2.58	8.0	2.48	7.7	2.38	7.3	2.19
	-8.5	-9.1	9.2	2.91	8.8	2.71	8.3	2.51	8.0	2.42	7.7	2.32	7.3	2.14
	-7.0	-7.6	9.2	2.78	8.8	2.59	8.3	2.40	8.0	2.31	7.7	2.22	7.3	2.04
	-5.0	-5.6	9.2	2.62	8.8	2.44	8.3	2.26	8.0	2.18	7.7	2.09	7.3	1.93
	-3.0	-3.7	9.2	2.46	8.8	2.30	8.3	2.14	8.0	2.05	7.7	1.98	7.3	1.82
	0.0	-0.7	9.2	2.24	8.8	2.10	8.3	1.95	8.0	1.88	7.7	1.81	7.3	1.67
	3.0	2.2	9.2	2.05	8.8	0.05	8.3	1.79	8.0	1.72	7.7	1.66	7.3	1.53
	5.0	4.1	9.2	1.93	8.8	1.81	8.3	1.69	8.0	1.63	7.7	1.57	7.3	1.45
	7.0	6.0	9.2	1.83	8.8	1.71	8.3	1.60	8.0	1.54	7.7	1.49	7.3	1.38
	9.0	7.9	9.2	1.73	8.8	1.62	8.3	1.51	8.0	1.46	7.7	1.41	7.3	1.31
	11.0	9.8	9.2	1.63	8.8	1.53	8.3	1.43	8.0	1.38	7.7	1.34	7.3	1.24
13.0	11.8	9.2	1.54	8.8	1.45	8.3	1.36	8.0	1.31	7.7	1.27	7.3	1.18	
15.0	13.7	9.2	1.46	8.8	1.37	8.3	1.29	8.0	1.25	7.7	1.20	7.3	1.12	
18.0	16.8	9.2	1.39	8.8	1.31	8.3	1.22	8.0	1.19	7.7	1.15	7.3	1.07	
20.0	18.5	9.2	1.32	8.8	1.24	8.3	1.17	8.0	1.13	7.7	1.10	7.3	1.03	
24.0	20.5	9.2	1.26	8.8	1.19	8.3	1.12	8.0	1.09	7.7	1.06	7.3	0.99	

Dc Inverter Multi VRF System Technical Sales Guide

Combination	Outdoor air temp		Indoor air temp °C DB											
			16		18		20		21		22		24	
	°C DB	°C WB	TC	PI	TC	PI	TC	PI	TC	PI	TC	PI	TC	PI
60%	-19.8	-20.0	7.4	2.83	7.4	2.88	7.2	2.77	6.9	2.66	6.7	2.56	6.3	2.35
	-18.8	-19.0	7.5	2.85	7.5	2.90	7.2	2.71	6.9	2.61	6.7	2.50	6.3	2.30
	-16.7	-17.0	7.8	2.89	7.6	2.80	7.2	2.59	6.9	2.49	6.7	2.39	6.3	2.20
	-13.7	-15.0	8.0	2.86	7.6	2.66	7.2	2.46	6.9	2.37	6.7	2.28	6.3	2.09
	-11.8	-13.0	8.0	2.70	7.6	2.52	7.2	2.33	6.9	2.25	6.7	2.16	6.3	1.99
	-9.8	-11.0	8.0	2.55	7.6	2.38	7.2	2.21	6.9	2.13	6.7	2.04	6.3	1.89
	-9.5	-10.0	8.0	2.48	7.6	2.31	7.2	2.15	6.9	2.07	6.7	1.99	6.3	1.83
	-8.5	-9.1	8.0	2.42	7.6	2.25	7.2	2.09	6.9	2.02	6.7	1.94	6.3	1.79
	-7.0	-7.6	8.0	2.31	7.6	2.16	7.2	2.00	6.9	1.93	6.7	1.86	6.3	1.72
	-5.0	-5.6	8.0	2.18	7.6	2.03	7.2	1.89	6.9	1.82	6.7	1.75	6.3	1.62
	-3.0	-3.7	8.0	2.05	7.6	1.92	7.2	1.80	6.9	1.73	6.7	1.66	6.3	1.54
	0.0	-0.7	8.0	1.88	7.6	1.76	7.2	1.64	6.9	1.58	6.7	1.52	6.3	1.41
	3.0	2.2	8.0	1.72	7.6	1.61	7.2	1.51	6.9	1.46	6.7	1.41	6.3	0.06
	5.0	4.1	8.0	1.63	7.6	1.53	7.2	1.43	6.9	1.38	6.7	1.33	6.3	1.24
	7.0	6.0	8.0	1.54	7.6	1.45	7.2	1.35	6.9	1.31	6.7	1.27	6.3	1.18
	9.0	7.9	8.0	1.46	7.6	1.37	7.2	1.28	6.9	1.24	6.7	1.20	6.3	1.12
	11.0	9.8	8.0	1.38	7.6	1.30	7.2	1.22	6.9	1.18	6.7	1.14	6.3	1.07
	13.0	11.8	8.0	1.31	7.6	1.23	7.2	1.16	6.9	1.12	6.7	1.08	6.3	1.01
15.0	13.7	8.0	1.25	7.6	1.17	7.2	1.10	6.9	1.07	6.7	1.03	6.3	0.97	
18.0	16.8	8.0	1.19	7.6	1.12	7.2	1.05	6.9	1.02	6.7	0.99	6.3	0.93	
20.0	18.5	8.0	1.14	7.6	1.07	7.2	1.01	6.9	0.98	6.7	0.95	6.3	0.89	
24.0	20.5	8.0	1.10	7.6	1.02	7.2	0.97	6.9	0.95	6.7	0.92	6.3	0.86	

Combination	Outdoor air temp		Indoor air temp °C DB											
			16		18		20		21		22		24	
	°C DB	°C WB	TC	PI	TC	PI	TC	PI	TC	PI	TC	PI	TC	PI
			kW	kW	kW	kW	kW	kW	kW	kW	kW	kW	kW	kW
50%	-19.8	-20.0	6.8	2.57	6.4	2.40	6.1	2.23	5.9	2.14	5.7	2.06	5.3	1.90
	-18.8	-19.0	6.8	2.52	6.4	2.35	6.1	2.18	5.9	2.10	5.7	2.02	5.3	1.86
	-16.7	-17.0	6.8	2.40	6.4	2.24	6.1	2.09	5.9	2.01	5.7	1.93	5.3	1.78
	-13.7	-15.0	6.8	2.29	6.4	2.14	6.1	1.99	5.9	1.91	5.7	1.84	5.3	1.70
	-11.8	-13.0	6.8	2.17	6.4	2.03	6.1	1.89	5.9	1.82	5.7	1.75	5.3	1.62
	-9.8	-11.0	6.8	2.06	6.4	1.92	6.1	1.79	5.9	1.73	5.7	1.66	5.3	1.54
	-9.5	-10.0	6.8	2.00	6.4	1.87	6.1	1.75	5.9	1.68	5.7	1.62	5.3	1.50
	-8.5	-9.1	6.8	1.95	6.4	1.83	6.1	1.70	5.9	1.64	5.7	1.58	5.3	1.46
	-7.0	-7.6	6.8	1.87	6.4	1.76	6.1	1.63	5.9	1.58	5.7	1.52	5.3	1.41
	-5.0	-5.6	6.8	1.76	6.4	1.66	6.1	1.55	5.9	1.49	5.7	1.44	5.3	1.33
	-3.0	-3.7	6.8	1.67	6.4	1.57	6.1	1.46	5.9	1.42	5.7	1.37	5.3	1.27
	0.0	-0.7	6.8	1.53	6.4	1.44	6.1	1.35	5.9	1.30	5.7	1.26	5.3	1.17
	3.0	2.2	6.8	1.41	6.4	1.33	6.1	1.24	5.9	1.20	5.7	1.17	5.3	1.08
	5.0	4.1	6.8	1.34	6.4	1.26	6.1	1.18	5.9	1.14	5.7	1.11	5.3	1.03
	7.0	6.0	6.8	1.27	6.4	1.20	6.1	1.13	5.9	1.09	5.7	1.05	5.3	0.98
	9.0	7.9	6.8	1.21	6.4	1.14	6.1	1.07	5.9	1.04	5.7	1.00	5.3	0.94
	11.0	9.8	6.8	1.15	6.4	1.08	6.1	1.02	5.9	0.99	5.7	0.96	5.3	0.89
	13.0	11.8	6.8	1.09	6.4	1.03	6.1	0.97	5.9	0.94	5.7	0.91	5.3	0.85
15.0	13.7	6.8	1.04	6.4	0.98	6.1	0.93	5.9	0.90	5.7	0.87	5.3	0.81	
18.0	16.8	6.8	0.99	6.4	0.94	6.1	0.89	5.9	0.86	5.7	0.83	5.3	0.78	
20.0	18.5	6.8	0.94	6.4	0.90	6.1	0.85	5.9	0.83	5.7	0.80	5.3	0.74	
24.0	20.5	6.8	0.90	6.4	0.86	6.1	0.79	5.9	0.80	5.7	0.77	5.3	0.71	

Dc Inverter Multi VRF System Technical Sales Guide

GMV-100WL/C-T

TC—Total capacity of outdoor unit; PI—Power input of outdoor unit

Combination	Outdoor air temp		Indoor air temp °C DB											
			16		18		20		21		22		24	
	°C DB	°C WB	TC	PI	TC	PI	TC	PI	TC	PI	TC	PI	TC	PI
135%	-19.8	-20.0	7.1	1.77	7.1	1.89	7.1	2.02	7.1	2.08	7.0	2.14	7.0	2.27
	-18.8	-19.0	7.2	1.81	7.2	1.93	7.2	2.05	7.2	2.11	7.2	2.17	7.1	2.30
	-16.7	-17.0	7.5	1.89	7.5	2.01	7.4	2.13	7.4	2.18	7.4	2.24	7.4	2.36
	-13.7	-15.0	7.8	1.98	7.8	2.09	7.8	2.20	7.8	2.26	7.7	2.32	7.7	2.43
	-11.8	-13.0	8.1	2.06	8.1	2.18	8.1	2.28	8.1	2.34	8.1	2.39	8.0	2.50
	-9.8	-11.0	8.5	2.16	8.5	2.26	8.5	2.36	8.5	2.42	8.5	2.47	8.4	2.57
	-9.5	-10.0	8.7	2.20	8.7	2.30	8.7	2.40	8.7	2.45	8.6	2.50	8.6	2.60
	-8.5	-9.1	8.9	2.24	8.9	2.34	8.9	2.44	8.8	2.49	8.8	2.54	8.8	2.64
	-7.0	-7.6	9.2	2.31	9.2	2.40	9.2	2.50	9.2	2.55	9.1	2.59	9.1	2.69
	-5.0	-5.6	9.7	2.39	9.7	2.44	9.6	2.57	9.6	2.62	9.6	2.66	9.6	2.75
	-3.0	-3.7	10.2	2.47	10.1	2.56	10.1	2.64	10.1	2.69	10.1	2.73	10.1	2.81
	0.0	-0.7	11.0	2.59	11.0	2.67	10.9	2.75	10.9	2.79	10.9	2.83	10.9	2.91
	3.0	2.2	11.8	2.70	11.8	2.77	11.8	2.85	11.8	2.88	11.8	2.92	11.7	2.99
	5.0	4.1	12.4	2.77	12.4	2.84	12.4	2.91	12.4	2.94	12.4	2.98	12.3	3.05
	7.0	6.0	13.1	2.83	13.0	2.90	13.0	2.96	13.0	2.67	13.0	3.03	12.5	2.91
	9.0	7.9	13.7	2.89	13.7	2.95	13.7	3.02	13.7	3.05	13.4	2.99	12.5	2.73
	11.0	9.8	14.4	2.95	14.4	3.01	14.3	3.05	13.8	2.93	13.4	2.81	12.5	2.57
	13.0	11.8	15.2	3.00	15.2	3.06	14.3	2.85	13.8	2.74	13.4	2.63	12.5	2.42
15.0	13.7	15.9	3.06	15.2	2.90	14.3	2.69	13.8	2.58	13.4	2.48	12.5	2.28	
18.0	16.8	15.9	2.89	15.2	2.76	14.3	2.55	13.8	2.45	13.4	2.34	12.5	2.17	
20.0	18.5	15.9	2.75	15.2	2.64	14.3	2.43	13.8	2.34	13.4	2.23	12.5	2.07	
24.0	20.5	15.9	2.63	15.2	2.54	14.3	2.34	13.8	2.25	13.4	2.13	12.5	1.99	

Combination	Outdoor air temp		Indoor air temp °C DB											
			16		18		20		21		22		24	
	°C DB	°C WB	TC	PI	TC	PI	TC	PI	TC	PI	TC	PI	TC	PI
120%	-19.8	-20.0	7.1	1.94	7.1	2.05	7.0	2.17	7.0	2.22	7.0	2.28	7.0	2.40
	-18.8	-19.0	7.2	1.97	7.2	2.08	7.2	2.18	7.1	2.25	7.1	2.31	7.1	2.43
	-16.7	-17.0	7.5	2.05	7.4	2.16	7.4	2.27	7.4	2.32	7.4	2.38	7.4	2.48
	-13.7	-15.0	7.8	2.13	7.8	2.23	7.7	2.34	7.7	2.39	7.7	2.44	7.7	2.55
	-11.8	-13.0	8.1	2.21	8.1	2.31	8.1	2.41	8.1	2.46	8.0	2.51	8.0	2.61
	-9.8	-11.0	8.5	2.30	8.5	2.39	8.5	2.49	8.4	2.54	8.4	2.58	8.4	2.68
	-9.5	-10.0	8.7	2.34	8.7	2.43	8.6	2.52	8.6	2.57	8.6	2.60	8.6	2.71
	-8.5	-9.1	8.9	2.37	8.8	2.46	8.8	2.56	8.8	2.60	8.8	2.65	8.8	2.74
	-7.0	-7.6	9.2	2.44	9.2	2.52	9.1	2.61	9.1	2.66	9.1	2.70	9.1	2.79
	-5.0	-5.6	9.7	2.51	9.6	2.60	9.6	2.68	9.6	2.72	9.6	2.77	9.6	2.85
	-3.0	-3.7	10.1	2.59	10.1	2.67	10.1	2.75	10.1	2.79	10.1	2.83	10.1	2.91
	0.0	-0.7	10.9	2.70	10.9	2.77	10.9	2.88	10.9	2.88	10.9	2.92	10.9	2.99
	3.0	2.2	11.8	2.80	11.8	2.87	11.8	2.94	11.7	2.97	11.7	3.00	11.5	2.99
	5.0	4.1	12.4	2.86	12.4	2.93	12.4	2.99	12.3	3.02	12.3	3.06	11.5	2.81
	7.0	6.0	13.0	2.92	13.0	2.98	13.0	3.04	12.8	3.00	12.4	2.88	11.5	2.64
	9.0	7.9	13.7	2.98	13.7	3.04	13.2	2.94	12.8	2.82	12.4	2.70	11.5	2.48
	11.0	9.8	14.4	3.03	14.0	2.98	13.2	2.76	12.8	2.65	12.4	2.55	11.5	2.34
	13.0	11.8	14.9	3.00	14.0	2.79	13.2	2.59	12.8	2.49	12.4	2.39	11.5	2.20
15.0	13.7	14.9	2.82	14.0	2.63	13.2	2.44	12.8	2.35	12.4	2.26	11.5	2.08	
18.0	16.8	14.9	2.67	14.0	2.49	13.2	2.32	12.8	2.22	12.4	2.14	11.5	1.97	
20.0	18.5	14.9	2.53	14.0	2.38	13.2	2.22	12.8	2.12	12.4	2.04	11.5	1.88	
24.0	20.5	14.9	2.41	14.0	2.28	13.2	2.14	12.8	2.03	12.4	1.95	11.5	1.80	

Dc Inverter Multi VRF System Technical Sales Guide

Combination	Outdoor air temp		Indoor air temp °C DB											
			16		18		20		21		22		24	
	°C DB	°C WB	TC	PI	TC	PI	TC	PI	TC	PI	TC	PI	TC	PI
110%	-19.8	-20.0	7.1	2.10	7.0	2.21	7.0	2.31	7.0	2.37	7.0	2.42	6.9	2.53
	-18.8	-19.0	7.2	2.14	7.2	2.24	7.1	2.34	7.1	2.40	7.1	2.45	7.1	2.55
	-16.7	-17.0	7.4	2.21	7.4	2.31	7.4	2.41	7.4	2.46	7.4	2.51	7.3	2.61
	-13.7	-15.0	7.8	2.28	7.7	2.38	7.7	2.47	7.7	2.52	7.7	2.57	7.6	2.67
	-11.8	-13.0	8.1	2.36	8.1	2.45	8.0	2.54	8.0	2.59	8.0	2.63	8.0	2.73
	-9.8	-11.0	8.5	2.44	8.4	2.52	8.4	2.61	8.4	2.66	8.4	2.70	8.4	2.79
	-9.5	-10.0	8.7	2.47	8.6	2.56	8.6	2.65	8.6	2.69	8.6	2.73	8.6	2.81
	-8.5	-9.1	8.8	2.51	8.8	2.59	8.8	2.68	8.8	2.72	8.8	2.76	8.8	2.84
	-7.0	-7.6	9.1	2.56	9.1	2.64	9.1	2.72	9.1	2.77	9.2	2.81	9.1	2.89
	-5.0	-5.6	9.6	2.64	9.6	2.71	9.6	2.79	9.6	2.83	10.0	2.87	9.5	2.94
	-3.0	-3.7	10.1	2.70	10.1	2.78	10.1	2.85	10.1	2.89	10.9	2.92	10.0	3.00
	0.0	-0.7	10.9	2.81	10.9	2.87	10.9	2.94	10.9	2.97	11.3	3.01	10.5	2.95
	3.0	2.2	11.8	2.90	11.7	2.96	11.7	3.02	11.7	3.05	11.3	2.93	10.5	2.69
	5.0	4.1	12.4	2.95	12.4	3.02	12.1	2.99	11.7	2.87	11.3	2.75	10.5	2.53
	7.0	6.0	13.0	3.01	12.9	3.03	12.1	2.81	11.7	2.69	11.3	2.59	10.5	2.38
	9.0	7.9	13.7	3.06	12.9	2.85	12.1	2.64	11.7	2.54	11.3	2.44	10.5	2.24
	11.0	9.8	13.7	2.88	12.9	2.68	12.1	2.48	11.7	2.39	11.3	2.30	10.5	2.11
	13.0	11.8	13.7	2.70	12.9	2.51	12.1	2.33	11.7	2.25	11.3	2.16	10.5	1.99
	15.0	13.7	13.7	2.54	12.9	2.37	12.1	2.20	11.7	2.12	11.3	2.04	10.5	1.88
	18.0	16.8	13.7	2.41	12.9	2.25	12.1	2.01	11.7	2.01	11.3	1.94	10.5	1.79
20.0	18.5	13.7	2.28	12.9	2.14	12.1	1.91	11.7	1.91	11.3	1.86	10.5	1.71	
24.0	20.5	13.7	2.18	12.9	2.04	12.1	1.81	11.7	1.83	11.3	1.80	10.5	1.65	

Combination	Outdoor air temp		Indoor air temp °C DB											
			16		18		20		21		22		24	
	°C DB	°C WB	TC	PI	TC	PI	TC	PI	TC	PI	TC	PI	TC	PI
100%	-19.8	-20.0	7.0	2.27	7.0	2.37	7.0	2.46	6.9	2.51	6.9	2.56	6.9	2.66
	-18.8	-19.0	7.1	2.30	7.1	2.40	7.1	2.49	7.1	2.54	7.1	2.59	7.1	2.68
	-16.7	-17.0	7.4	2.37	7.4	2.46	7.4	2.55	7.4	2.59	7.3	2.64	7.3	2.73
	-13.7	-15.0	7.7	2.44	7.7	2.52	7.7	2.61	7.6	2.66	7.6	2.70	7.6	2.79
	-11.8	-13.0	8.0	2.51	8.0	2.59	8.0	2.67	8.0	2.71	8.0	2.66	8.0	2.84
	-9.8	-11.0	8.4	2.57	8.4	2.66	8.4	2.73	8.4	2.78	8.3	2.81	8.3	2.89
	-9.5	-10.0	8.6	2.61	8.6	2.69	8.6	2.77	8.6	2.81	8.6	2.84	8.5	2.92
	-8.5	-9.1	8.8	2.64	8.8	2.72	8.8	2.79	8.8	2.83	8.7	2.87	8.7	2.94
	-7.0	-7.6	9.1	2.69	9.1	2.77	9.1	2.84	9.1	2.88	9.1	2.91	9.0	2.99
	-5.0	-5.6	9.6	2.76	9.6	2.83	9.6	2.90	9.5	2.94	9.5	2.97	9.5	3.04
	-3.0	-3.7	10.1	2.82	10.1	2.89	10.0	3.0	10.0	2.99	10.0	3.02	9.6	2.89
	0.0	-0.7	10.9	2.92	10.9	2.97	10.8	3.0	10.7	2.99	10.3	2.86	9.6	2.63
	3.0	2.2	11.7	3.00	11.7	3.05	11.0	2.8	10.7	2.71	10.3	2.61	9.6	2.39
	5.0	4.1	12.3	3.05	11.7	2.87	11.0	2.7	10.7	2.56	10.3	2.45	9.6	2.26
	7.0	6.0	12.4	2.90	11.7	2.69	11.0	2.5	10.7	2.41	10.3	2.31	9.6	2.13
	9.0	7.9	12.4	2.72	11.7	2.54	11.0	2.4	10.7	2.27	10.3	2.18	9.6	2.01
	11.0	9.8	12.4	2.56	11.7	2.39	11.0	2.2	10.7	2.14	10.3	2.06	9.6	1.90
	13.0	11.8	12.4	2.41	11.7	2.25	11.0	2.1	10.7	2.01	10.3	1.94	9.6	1.79
15.0	13.7	12.4	2.27	11.7	2.12	11.0	2.0	10.7	1.90	10.3	1.83	9.6	1.69	
18.0	16.8	12.4	2.14	11.7	2.02	11.0	1.91	10.7	1.81	10.3	1.73	9.6	1.61	
20.0	18.5	12.4	2.02	11.7	1.94	11.0	1.83	10.7	1.72	10.3	1.65	9.6	1.55	
24.0	20.5	12.4	1.91	11.7	1.88	11.0	1.76	10.7	1.66	10.3	1.59	9.6	1.50	

Dc Inverter Multi VRF System Technical Sales Guide

Combination	Outdoor air temp		Indoor air temp °C DB											
			16		18		20		21		22		24	
	°C DB	°C WB	TC	PI	TC	PI	TC	PI	TC	PI	TC	PI	TC	PI
90%	-19.8	-20.0	7.5	2.44	7.5	2.53	7.5	2.61	7.5	2.66	7.5	2.70	7.5	2.79
	-18.8	-19.0	7.6	2.47	7.6	2.56	7.6	2.64	7.6	2.68	7.6	2.72	7.6	2.81
	-16.7	-17.0	7.9	2.53	7.9	2.61	7.9	2.69	7.9	2.73	7.8	2.77	7.8	2.85
	-13.7	-15.0	8.2	2.59	8.2	2.67	8.2	2.75	8.2	2.76	8.2	2.82	8.2	2.90
	-11.8	-13.0	8.5	2.65	8.5	2.73	8.5	2.80	8.5	2.84	8.5	2.88	8.5	2.95
	-9.8	-11.0	8.9	2.71	8.9	2.79	8.9	2.86	8.9	2.90	8.9	2.93	8.9	3.00
	-9.5	-10.0	9.1	2.75	9.1	2.82	9.1	2.89	9.1	2.92	9.1	2.96	9.1	3.03
	-8.5	-9.1	9.3	2.78	9.3	2.84	9.3	2.91	9.3	2.94	9.3	2.98	9.2	3.01
	-7.0	-7.6	9.6	2.82	9.6	2.89	9.6	2.95	9.6	2.99	9.6	3.02	9.2	2.87
	-5.0	-5.6	10.1	2.88	10.1	2.94	10.1	3.01	10.1	3.04	9.8	2.94	9.2	2.70
	-3.0	-3.7	10.6	2.94	10.6	2.67	10.5	3.01	10.1	2.89	9.8	2.77	9.2	2.55
	0.0	-0.7	11.4	3.02	11.1	2.62	10.5	2.73	10.1	2.62	9.8	2.52	9.2	2.31
	3.0	2.2	11.7	2.88	11.1	2.68	10.5	2.49	10.1	2.39	9.8	2.30	9.2	2.12
	5.0	4.1	11.7	2.71	11.1	2.52	10.5	2.34	10.1	2.25	9.8	2.17	9.2	2.00
	7.0	6.0	11.7	2.55	11.1	2.38	10.5	2.21	10.1	2.13	9.8	2.05	9.2	1.89
	9.0	7.9	11.7	2.40	11.1	2.24	10.5	2.08	10.1	2.01	9.8	1.93	9.2	1.78
	11.0	9.8	11.7	2.26	11.1	2.11	10.5	1.97	10.1	1.90	9.8	1.82	9.2	1.69
	13.0	11.8	11.7	2.13	11.1	1.99	10.5	1.85	10.1	1.79	9.8	1.72	9.2	1.59
	15.0	13.7	11.7	2.01	11.1	1.88	10.5	1.76	10.1	1.69	9.8	1.63	9.2	1.51
	18.0	16.8	11.7	1.90	11.1	1.78	10.5	1.67	10.1	1.59	9.8	1.55	9.2	1.44
20.0	18.5	11.7	1.80	11.1	1.68	10.5	1.58	10.1	1.50	9.8	1.47	9.2	1.37	
24.0	20.5	11.7	1.69	11.1	1.58	10.5	1.50	10.1	1.42	9.8	1.40	9.2	1.31	

Combination	Outdoor air temp		Indoor air temp °C DB											
			16		18		20		21		22		24	
	°C DB	°C WB	TC	PI	TC	PI	TC	PI	TC	PI	TC	PI	TC	PI
80%	-19.8	-20.0	7.5	2.61	7.5	2.69	7.5	2.76	7.5	2.80	7.4	2.84	7.4	2.92
	-18.8	-19.0	7.6	2.63	7.6	2.71	7.6	2.79	7.6	2.82	7.6	2.86	7.5	2.94
	-16.7	-17.0	7.9	2.69	7.8	2.76	7.8	2.83	7.8	2.87	7.8	2.91	7.8	2.98
	-13.7	-15.0	8.2	2.74	8.2	2.81	8.2	2.88	8.2	2.92	8.1	2.95	8.1	3.02
	-11.8	-13.0	8.5	2.80	8.5	2.87	8.5	2.93	8.5	2.96	8.5	3.00	8.2	2.92
	-9.8	-11.0	8.9	2.85	8.9	2.92	8.9	2.98	8.9	3.01	8.8	3.01	8.2	2.76
	-9.5	-10.0	9.1	2.88	9.1	2.94	9.1	3.01	9.1	3.04	8.8	2.92	8.2	2.68
	-8.5	-9.1	9.3	2.91	9.3	2.97	9.2	3.03	9.1	2.96	8.8	2.84	8.2	2.60
	-7.0	-7.6	9.6	2.95	9.6	3.01	9.4	2.94	9.1	2.83	8.8	2.71	8.2	2.50
	-5.0	-5.6	10.1	2.68	9.9	2.99	9.4	2.77	9.1	2.66	8.8	2.55	8.2	2.34
	-3.0	-3.7	10.5	2.69	9.9	2.81	9.4	2.60	9.1	2.52	8.8	2.41	8.2	2.21
	0.0	-0.7	10.5	2.74	9.9	2.55	9.4	2.37	9.1	2.28	8.8	2.19	8.2	2.02
	3.0	2.2	10.5	2.50	9.9	2.33	9.4	2.17	9.1	2.08	8.8	2.01	8.2	1.85
	5.0	4.1	10.5	2.35	9.9	2.19	9.4	2.04	9.1	1.97	8.8	1.90	8.2	1.75
	7.0	6.0	10.5	2.21	9.9	2.07	9.4	1.93	9.1	1.86	8.8	1.79	8.2	1.66
	9.0	7.9	10.5	2.09	9.9	1.95	9.4	1.83	9.1	1.76	8.8	1.69	8.2	1.57
	11.0	9.8	10.5	1.97	9.9	1.85	9.4	1.72	9.1	1.66	8.8	1.60	8.2	1.49
13.0	11.8	10.5	1.86	9.9	1.74	9.4	1.63	9.1	1.57	8.8	1.52	8.2	1.41	
15.0	13.7	10.5	1.76	9.9	1.65	9.4	1.55	9.1	1.49	8.8	1.44	8.2	1.34	
18.0	16.8	10.5	1.68	9.9	1.57	9.4	1.47	9.1	1.42	8.8	1.36	8.2	1.28	
20.0	18.5	10.5	1.61	9.9	1.51	9.4	1.41	9.1	1.35	8.8	1.30	8.2	1.22	
24.0	20.5	10.5	1.56	9.9	1.46	9.4	1.35	9.1	1.29	8.8	1.24	8.2	1.17	

Dc Inverter Multi VRF System Technical Sales Guide

Combination	Outdoor air temp		Indoor air temp °C DB											
			16		18		20		21		22		24	
	°C DB	°C WB	TC	PI	TC	PI	TC	PI	TC	PI	TC	PI	TC	PI
70%	-19.8	-20.0	7.5	2.78	7.4	2.84	7.4	2.91	7.4	2.94	7.4	2.98	7.3	2.95
	-18.8	-19.0	7.6	2.80	7.6	2.87	7.5	2.93	7.5	2.96	7.5	3.00	7.3	2.89
	-16.7	-17.0	7.8	2.85	7.8	2.91	7.8	2.97	7.8	3.01	7.7	3.00	7.3	2.75
	-13.7	-15.0	8.2	2.90	8.1	2.96	8.1	3.02	8.0	2.89	7.7	2.85	7.3	2.62
	-11.8	-13.0	8.5	2.94	8.5	3.00	8.3	2.93	8.0	2.82	7.7	2.70	7.3	2.48
	-9.8	-11.0	8.9	2.99	8.8	2.99	8.3	2.77	8.0	2.66	7.7	2.56	7.3	2.35
	-9.5	-10.0	9.1	3.02	8.8	2.90	8.3	2.69	8.0	2.58	7.7	2.48	7.3	2.28
	-8.5	-9.1	9.2	3.04	8.8	2.82	8.3	2.62	8.0	2.52	7.7	2.42	7.3	2.22
	-7.0	-7.6	9.2	2.90	8.8	2.70	8.3	2.50	8.0	2.41	7.7	2.31	7.3	2.13
	-5.0	-5.6	9.2	2.72	8.8	2.54	8.3	2.36	8.0	2.27	7.7	2.18	7.3	2.01
	-3.0	-3.7	9.2	2.56	8.8	2.39	8.3	2.22	8.0	2.14	7.7	2.06	7.3	1.90
	0.0	-0.7	9.2	2.33	8.8	2.19	8.3	2.03	8.0	1.95	7.7	1.88	7.3	1.74
	3.0	2.2	9.2	2.13	8.8	0.05	8.3	1.86	8.0	1.79	7.7	1.73	7.3	1.60
	5.0	4.1	9.2	2.01	8.8	1.88	8.3	1.76	8.0	1.69	7.7	1.64	7.3	1.51
	7.0	6.0	9.2	1.90	8.8	1.78	8.3	1.66	8.0	1.60	7.7	1.55	7.3	1.44
	9.0	7.9	9.2	1.80	8.8	1.69	8.3	1.57	8.0	1.52	7.7	1.47	7.3	1.36
	11.0	9.8	9.2	1.70	8.8	1.59	8.3	1.49	8.0	1.44	7.7	1.39	7.3	1.29
	13.0	11.8	9.2	1.61	8.8	1.51	8.3	1.41	8.0	1.37	7.7	1.32	7.3	1.23
	15.0	13.7	9.2	1.52	8.8	1.43	8.3	1.34	8.0	1.30	7.7	1.25	7.3	1.17
	18.0	16.8	9.2	1.44	8.8	1.36	8.3	1.28	8.0	1.24	7.7	1.19	7.3	1.12
20.0	18.5	9.2	1.38	8.8	1.30	8.3	1.22	8.0	1.18	7.7	1.14	7.3	1.07	
24.0	20.5	9.2	1.31	8.8	1.24	8.3	1.17	8.0	1.13	7.7	1.10	7.3	1.03	

Combination	Outdoor air temp		Indoor air temp °C DB											
			16		18		20		21		22		24	
	°C DB	°C WB	TC	PI	TC	PI	TC	PI	TC	PI	TC	PI	TC	PI
60%	-19.8	-20.0	7.4	2.95	7.4	3.00	7.2	2.89	6.9	2.78	6.7	2.67	6.3	2.44
	-18.8	-19.0	7.5	2.97	7.5	3.02	7.2	2.83	6.9	2.72	6.7	2.61	6.3	2.39
	-16.7	-17.0	7.8	3.01	7.6	2.91	7.2	2.70	6.9	2.59	6.7	2.49	6.3	2.29
	-13.7	-15.0	8.0	2.97	7.6	2.77	7.2	2.56	6.9	2.47	6.7	2.37	6.3	2.18
	-11.8	-13.0	8.0	2.81	7.6	2.62	7.2	2.43	6.9	2.34	6.7	2.25	6.3	2.07
	-9.8	-11.0	8.0	2.66	7.6	2.48	7.2	2.30	6.9	2.21	6.7	2.13	6.3	1.96
	-9.5	-10.0	8.0	2.58	7.6	2.41	7.2	2.24	6.9	2.16	6.7	2.07	6.3	1.91
	-8.5	-9.1	8.0	2.52	7.6	2.35	7.2	2.18	6.9	2.10	6.7	2.02	6.3	1.86
	-7.0	-7.6	8.0	2.41	7.6	2.25	7.2	2.09	6.9	2.01	6.7	1.94	6.3	1.79
	-5.0	-5.6	8.0	2.27	7.6	2.12	7.2	1.97	6.9	1.90	6.7	1.83	6.3	1.69
	-3.0	-3.7	8.0	2.14	7.6	2.00	7.2	1.87	6.9	1.80	6.7	1.73	6.3	1.60
	0.0	-0.7	8.0	1.95	7.6	1.83	7.2	1.71	6.9	1.65	6.7	1.59	6.3	1.47
	3.0	2.2	8.0	1.79	7.6	1.68	7.2	1.57	6.9	1.52	6.7	1.46	6.3	0.06
	5.0	4.1	8.0	1.69	7.6	1.59	7.2	1.49	6.9	1.44	6.7	1.39	6.3	1.29
	7.0	6.0	8.0	1.60	7.6	1.51	7.2	1.41	6.9	1.36	6.7	1.32	6.3	1.22
	9.0	7.9	8.0	1.52	7.6	1.43	7.2	1.34	6.9	1.30	6.7	1.25	6.3	1.17
	11.0	9.8	8.0	1.44	7.6	1.36	7.2	1.27	6.9	1.23	6.7	1.19	6.3	1.11
	13.0	11.8	8.0	1.36	7.6	1.29	7.2	1.21	6.9	1.17	6.7	1.13	6.3	1.06
15.0	13.7	8.0	1.30	7.6	1.22	7.2	1.15	6.9	1.11	6.7	1.08	6.3	1.01	
18.0	16.8	8.0	1.24	7.6	1.16	7.2	1.10	6.9	1.06	6.7	1.03	6.3	0.96	
20.0	18.5	8.0	1.19	7.6	1.11	7.2	1.05	6.9	1.02	6.7	0.99	6.3	0.93	
24.0	20.5	8.0	1.14	7.6	1.06	7.2	1.01	6.9	0.99	6.7	0.96	6.3	0.90	

Dc Inverter Multi VRF System Technical Sales Guide

Combination	Outdoor air temp		Indoor air temp °C DB											
			16		18		20		21		22		24	
	°C DB	°C WB	TC	PI	TC	PI	TC	PI	TC	PI	TC	PI	TC	PI
50%	-19.8	-20.0	6.8	2.68	6.4	2.50	6.1	2.32	5.9	2.23	5.7	2.15	5.3	1.98
	-18.8	-19.0	6.8	2.62	6.4	2.44	6.1	2.27	5.9	2.19	5.7	2.10	5.3	1.94
	-16.7	-17.0	6.8	2.50	6.4	2.33	6.1	2.17	5.9	2.09	5.7	2.01	5.3	1.86
	-13.7	-15.0	6.8	2.38	6.4	2.22	6.1	2.07	5.9	1.99	5.7	1.92	5.3	1.77
	-11.8	-13.0	6.8	2.26	6.4	2.12	6.1	1.97	5.9	1.90	5.7	1.82	5.3	1.69
	-9.8	-11.0	6.8	2.14	6.4	2.00	6.1	1.87	5.9	1.80	5.7	1.73	5.3	1.60
	-9.5	-10.0	6.8	2.08	6.4	1.95	6.1	1.82	5.9	1.75	5.7	1.69	5.3	1.56
	-8.5	-9.1	6.8	2.03	6.4	1.90	6.1	1.77	5.9	1.71	5.7	1.65	5.3	1.53
	-7.0	-7.6	6.8	1.95	6.4	1.83	6.1	1.70	5.9	1.64	5.7	1.58	5.3	1.47
	-5.0	-5.6	6.8	1.84	6.4	1.72	6.1	1.61	5.9	1.56	5.7	1.50	5.3	1.39
	-3.0	-3.7	6.8	1.74	6.4	1.63	6.1	1.53	5.9	1.47	5.7	1.42	5.3	1.32
	0.0	-0.7	6.8	1.60	6.4	1.50	6.1	1.41	5.9	1.36	5.7	1.31	5.3	1.22
	3.0	2.2	6.8	1.47	6.4	1.38	6.1	1.30	5.9	1.25	5.7	1.21	5.3	1.13
	5.0	4.1	6.8	1.40	6.4	1.31	6.1	1.23	5.9	1.19	5.7	1.15	5.3	1.07
	7.0	6.0	6.8	1.32	6.4	1.25	6.1	1.17	5.9	1.13	5.7	1.10	5.3	1.03
	9.0	7.9	6.8	1.26	6.4	1.19	6.1	1.11	5.9	1.08	5.7	1.05	5.3	0.98
	11.0	9.8	6.8	1.19	6.4	1.13	6.1	1.06	5.9	1.03	5.7	1.00	5.3	0.93
	13.0	11.8	6.8	1.14	6.4	1.07	6.1	1.01	5.9	0.98	5.7	0.95	5.3	0.89
15.0	13.7	6.8	1.08	6.4	1.02	6.1	0.96	5.9	0.94	5.7	0.91	5.3	0.85	
18.0	16.8	6.8	1.03	6.4	0.98	6.1	0.93	5.9	0.90	5.7	0.87	5.3	0.81	
20.0	18.5	6.8	0.98	6.4	0.94	6.1	0.89	5.9	0.86	5.7	0.83	5.3	0.77	
24.0	20.5	6.8	0.94	6.4	0.90	6.1	0.83	5.9	0.83	5.7	0.80	5.3	0.74	

GMV-121WL/A-T

TC—Total capacity of outdoor unit; PI—Power input of outdoor unit

Combination	Outdoor air temp		Indoor air temp °C DB											
			16		18		20		21		22		24	
	°C DB	°C WB	TC	PI	TC	PI	TC	PI	TC	PI	TC	PI	TC	PI
135%	-19.8	-20.0	8.4	2.12	8.4	2.27	8.3	2.42	8.3	2.49	8.3	2.57	8.3	2.72
	-18.8	-19.0	8.5	2.17	8.5	2.31	8.5	2.46	8.5	2.54	8.5	2.61	8.4	2.75
	-16.7	-17.0	8.9	2.27	8.8	2.41	8.8	2.55	8.8	2.61	8.8	2.69	8.7	2.84
	-13.7	-15.0	9.2	2.37	9.2	2.51	9.2	2.65	9.2	2.71	9.1	2.78	9.1	2.92
	-11.8	-13.0	9.6	2.48	9.6	2.61	9.6	2.74	9.5	2.81	9.5	2.87	9.5	3.00
	-9.8	-11.0	10.1	2.59	10.0	2.71	10.0	2.84	10.0	2.90	10.0	2.96	9.9	3.09
	-9.5	-10.0	10.3	2.64	10.3	2.76	10.2	2.88	10.2	2.95	10.2	3.00	10.2	3.12
	-8.5	-9.1	10.5	2.69	10.5	2.81	10.5	2.93	10.4	2.98	10.4	3.04	10.4	3.16
	-7.0	-7.6	10.9	2.77	10.9	2.88	10.9	3.00	10.9	3.05	10.8	3.11	10.8	3.23
	-5.0	-5.6	11.5	2.87	11.4	2.92	11.4	3.09	11.4	3.14	11.3	3.19	11.3	3.30
	-3.0	-3.7	12.0	2.96	12.0	3.07	12.0	3.17	11.9	3.23	11.9	3.28	11.9	3.38
	0.0	-0.7	13.0	3.11	13.0	3.21	12.9	3.30	12.9	3.35	12.9	3.40	12.9	3.49
	3.0	2.2	14.0	3.24	13.9	3.33	13.9	3.42	13.9	3.46	13.9	3.51	13.9	3.59
	5.0	4.1	14.7	3.32	14.7	3.41	14.7	3.49	14.6	3.53	14.6	3.57	14.6	3.65
	7.0	6.0	15.4	3.40	15.4	3.48	15.4	3.56	15.4	3.61	15.4	3.64	14.7	3.49
	9.0	7.9	16.2	3.47	16.2	3.55	16.2	3.62	16.1	3.66	15.8	3.58	14.7	3.28
	11.0	9.8	17.0	3.54	17.0	3.61	16.9	3.65	16.3	3.51	15.8	3.37	14.7	3.09
	13.0	11.8	18.0	3.60	17.9	3.67	16.9	3.42	16.3	3.29	15.8	3.16	14.7	2.90
15.0	13.7	18.8	3.67	18.0	3.48	16.9	3.23	16.3	3.10	15.8	2.98	14.7	2.74	
18.0	16.8	18.8	3.47	18.0	3.31	16.9	3.06	16.3	2.95	15.8	2.81	14.7	2.60	
20.0	18.5	18.8	3.30	18.0	3.16	16.9	2.92	16.3	2.81	15.8	2.67	14.7	2.48	
24.0	20.5	18.8	3.16	18.0	3.04	16.9	2.81	16.3	2.70	15.8	2.55	14.7	2.39	

Dc Inverter Multi VRF System Technical Sales Guide

Combination	Outdoor air temp		Indoor air temp °C DB											
			16		18		20		21		22		24	
	°C DB	°C WB	TC	PI	TC	PI	TC	PI	TC	PI	TC	PI	TC	PI
120%	-19.8	-20.0	8.4	2.32	8.3	2.46	8.3	2.60	8.3	2.66	8.3	2.74	8.3	2.88
	-18.8	-19.0	8.5	2.36	8.5	2.50	8.5	2.61	8.4	2.70	8.4	2.77	8.4	2.91
	-16.7	-17.0	8.8	2.46	8.8	2.59	8.8	2.72	8.7	2.79	8.7	2.85	8.7	2.98
	-13.7	-15.0	9.2	2.56	9.2	2.68	9.1	2.81	9.1	2.87	9.1	2.93	9.1	3.06
	-11.8	-13.0	9.6	2.65	9.6	2.77	9.5	2.89	9.5	2.96	9.5	3.02	9.5	3.14
	-9.8	-11.0	10.0	2.75	10.0	2.87	10.0	2.98	9.9	3.04	9.9	3.10	9.9	3.22
	-9.5	-10.0	10.3	2.81	10.2	2.92	10.2	3.03	10.2	3.09	10.2	3.12	10.2	3.25
	-8.5	-9.1	10.5	2.85	10.4	2.96	10.4	3.07	10.4	3.12	10.4	3.18	10.4	3.29
	-7.0	-7.6	10.9	2.92	10.9	3.03	10.8	3.13	10.8	3.19	10.8	3.24	10.8	3.34
	-5.0	-5.6	11.4	3.02	11.4	3.12	11.3	3.22	11.3	3.27	11.3	3.32	11.3	3.42
	-3.0	-3.7	12.0	3.11	12.0	3.20	11.9	3.30	11.9	3.34	11.9	3.39	11.9	3.49
	0.0	-0.7	12.9	3.24	12.9	3.33	12.9	3.46	12.9	3.46	12.8	3.50	12.8	3.59
	3.0	2.2	13.9	3.36	13.9	3.44	13.9	3.52	13.9	3.56	13.9	3.60	13.6	3.58
	5.0	4.1	14.7	3.43	14.6	3.51	14.6	3.59	14.6	3.63	14.6	3.67	13.6	3.37
	7.0	6.0	15.4	3.50	15.4	3.58	15.4	3.65	15.1	3.60	14.6	3.45	13.6	3.17
	9.0	7.9	16.2	3.57	16.1	3.64	15.6	3.52	15.1	3.38	14.6	3.25	13.6	2.98
	11.0	9.8	17.0	3.64	16.6	3.57	15.6	3.31	15.1	3.18	14.6	3.05	13.6	2.81
	13.0	11.8	17.6	3.60	16.6	3.35	15.6	3.11	15.1	2.99	14.6	2.87	13.6	2.64
15.0	13.7	17.6	3.39	16.6	3.16	15.6	2.93	15.1	2.82	14.6	2.71	13.6	2.49	
18.0	16.8	17.6	3.20	16.6	2.99	15.6	2.78	15.1	2.67	14.6	2.56	13.6	2.36	
20.0	18.5	17.6	3.04	16.6	2.85	15.6	2.66	15.1	2.54	14.6	2.44	13.6	2.25	
24.0	20.5	17.6	2.89	16.6	2.74	15.6	2.56	15.1	2.44	14.6	2.35	13.6	2.16	

Combination	Outdoor air temp		Indoor air temp °C DB											
			16		18		20		21		22		24	
	°C DB	°C WB	TC	PI	TC	PI	TC	PI	TC	PI	TC	PI	TC	PI
110%	-19.8	-20.0	8.3	2.52	8.3	2.65	8.3	2.78	8.3	2.84	8.3	2.90	8.2	3.03
	-18.8	-19.0	8.5	2.56	8.5	2.69	8.4	2.81	8.4	2.88	8.4	2.94	8.4	3.06
	-16.7	-17.0	8.8	2.65	8.7	2.77	8.7	2.89	8.7	2.95	8.7	3.01	8.7	3.13
	-13.7	-15.0	9.2	2.74	9.1	2.86	9.1	2.97	9.1	3.03	9.1	3.09	9.0	3.20
	-11.8	-13.0	9.5	2.83	9.5	2.94	9.5	3.05	9.5	3.11	9.5	3.16	9.5	3.27
	-9.8	-11.0	10.0	2.92	9.9	3.03	9.9	3.13	9.9	3.19	9.9	3.24	9.9	3.34
	-9.5	-10.0	10.2	2.97	10.2	3.07	10.2	3.18	10.2	3.23	10.2	3.28	10.1	3.38
	-8.5	-9.1	10.4	3.01	10.4	3.11	10.4	3.21	10.4	3.26	10.4	3.31	10.4	3.41
	-7.0	-7.6	10.8	3.08	10.8	3.17	10.8	3.27	10.8	3.32	10.9	3.37	10.7	3.46
	-5.0	-5.6	11.4	3.16	11.3	3.26	11.3	3.35	11.3	3.39	11.8	3.44	11.3	3.53
	-3.0	-3.7	11.9	3.25	11.9	3.33	11.9	3.42	11.9	3.46	12.8	3.51	11.8	3.60
	0.0	-0.7	12.9	3.37	12.9	3.45	12.8	3.53	12.8	3.57	13.4	3.61	12.5	3.54
	3.0	2.2	13.9	3.48	13.9	3.55	13.9	3.63	13.8	3.66	13.4	3.51	12.5	3.22
	5.0	4.1	14.6	3.55	14.6	3.62	14.3	3.58	13.8	3.44	13.4	3.30	12.5	3.03
	7.0	6.0	15.4	3.61	15.2	3.64	14.3	3.37	13.8	3.23	13.4	3.11	12.5	2.85
	9.0	7.9	16.1	3.67	15.2	3.42	14.3	3.17	13.8	3.04	13.4	2.92	12.5	2.69
	11.0	9.8	16.1	3.45	15.2	3.21	14.3	2.98	13.8	2.87	13.4	2.75	12.5	2.54
	13.0	11.8	16.1	3.24	15.2	3.02	14.3	2.80	13.8	2.70	13.4	2.59	12.5	2.39
15.0	13.7	16.1	3.05	15.2	2.84	14.3	2.65	13.8	2.54	13.4	2.45	12.5	2.26	
18.0	16.8	16.1	2.89	15.2	2.70	14.3	2.41	13.8	2.41	13.4	2.33	12.5	2.15	
20.0	18.5	16.1	2.74	15.2	2.56	14.3	2.29	13.8	2.29	13.4	2.24	12.5	2.06	
24.0	20.5	16.1	2.61	15.2	2.45	14.3	2.18	13.8	2.20	13.4	2.15	12.5	1.98	

Dc Inverter Multi VRF System Technical Sales Guide

Combination	Outdoor air temp		Indoor air temp °C DB											
			16		18		20		21		22		24	
	°C DB	°C WB	TC	PI	TC	PI	TC	PI	TC	PI	TC	PI	TC	PI
100%	-19.8	-20.0	8.3	2.73	8.3	2.84	8.3	2.96	8.2	3.02	8.2	3.07	8.2	3.19
	-18.8	-19.0	8.4	2.76	8.4	2.88	8.4	2.99	8.4	3.05	8.3	3.11	8.3	3.22
	-16.7	-17.0	8.7	2.84	8.7	2.95	8.7	3.06	8.7	3.11	8.7	3.17	8.7	3.28
	-13.7	-15.0	9.1	2.92	9.1	3.03	9.1	3.13	9.0	3.19	9.0	3.24	9.0	3.34
	-11.8	-13.0	9.5	3.01	9.5	3.11	9.5	3.21	9.5	3.26	9.5	3.19	9.4	3.41
	-9.8	-11.0	9.9	3.09	9.9	3.19	9.9	3.28	9.9	3.33	9.9	3.38	9.9	3.47
	-9.5	-10.0	10.2	3.13	10.2	3.23	10.2	3.32	10.1	3.37	10.1	3.41	10.1	3.51
	-8.5	-9.1	10.4	3.17	10.4	3.26	10.4	3.35	10.4	3.40	10.3	3.44	10.3	3.53
	-7.0	-7.6	10.8	3.23	10.8	3.32	10.7	3.41	10.7	3.45	10.7	3.49	10.7	3.58
	-5.0	-5.6	11.3	3.31	11.3	3.39	11.3	3.48	11.3	3.52	11.3	3.56	11.3	3.65
	-3.0	-3.7	11.9	3.39	11.9	3.46	11.8	3.5	11.8	3.58	11.8	3.62	11.3	3.47
	0.0	-0.7	12.8	3.50	12.8	3.57	12.8	3.6	12.6	3.58	12.2	3.44	11.3	3.16
	3.0	2.2	13.9	3.60	13.8	3.66	13.0	3.4	12.6	3.26	12.2	3.13	11.3	2.87
	5.0	4.1	14.6	3.66	13.8	3.44	13.0	3.2	12.6	3.07	12.2	2.95	11.3	2.71
	7.0	6.0	14.7	3.48	13.8	3.23	13.0	3.0	12.6	2.89	12.2	2.77	11.3	2.55
	9.0	7.9	14.7	3.26	13.8	3.04	13.0	2.8	12.6	2.72	12.2	2.61	11.3	2.41
	11.0	9.8	14.7	3.07	13.8	2.87	13.0	2.7	12.6	2.56	12.2	2.47	11.3	2.28
	13.0	11.8	14.7	2.89	13.8	2.70	13.0	2.5	12.6	2.42	12.2	2.33	11.3	2.15
15.0	13.7	14.7	2.72	13.8	2.54	13.0	2.4	12.6	2.28	12.2	2.20	11.3	2.03	
18.0	16.8	14.7	2.57	13.8	2.43	13.0	2.29	12.6	2.17	12.2	2.08	11.3	1.94	
20.0	18.5	14.7	2.42	13.8	2.33	13.0	2.20	12.6	2.07	12.2	1.98	11.3	1.86	
24.0	20.5	14.7	2.29	13.8	2.25	13.0	2.11	12.6	1.99	12.2	1.91	11.3	1.80	

Combination	Outdoor air temp		Indoor air temp °C DB											
			16		18		20		21		22		24	
	°C DB	°C WB	TC	PI	TC	PI	TC	PI	TC	PI	TC	PI	TC	PI
90%	-19.8	-20.0	8.9	2.93	8.9	3.03	8.9	3.14	8.8	3.19	8.8	3.24	8.8	3.34
	-18.8	-19.0	9.0	2.96	9.0	3.07	9.0	3.17	9.0	3.22	9.0	3.27	8.9	3.37
	-16.7	-17.0	9.4	3.04	9.3	3.13	9.3	3.23	9.3	3.28	9.3	3.33	9.3	3.42
	-13.7	-15.0	9.7	3.11	9.7	3.20	9.7	3.30	9.6	3.31	9.6	3.39	9.6	3.48
	-11.8	-13.0	10.1	3.18	10.1	3.27	10.1	3.36	10.1	3.41	10.1	3.45	10.0	3.54
	-9.8	-11.0	10.6	3.26	10.6	3.34	10.5	3.43	10.5	3.48	10.5	3.52	10.5	3.60
	-9.5	-10.0	10.8	3.30	10.8	3.38	10.8	3.46	10.7	3.51	10.7	3.55	10.7	3.63
	-8.5	-9.1	11.0	3.33	11.0	3.41	11.0	3.49	11.0	3.53	11.0	3.58	10.8	3.61
	-7.0	-7.6	11.4	3.39	11.4	3.46	11.3	3.55	11.3	3.58	11.3	3.62	10.8	3.45
	-5.0	-5.6	12.0	3.46	11.9	3.53	11.9	3.61	11.9	3.65	11.6	3.53	10.8	3.24
	-3.0	-3.7	12.5	3.53	12.5	3.21	12.4	3.61	12.0	3.47	11.6	3.33	10.8	3.05
	0.0	-0.7	13.5	3.63	13.1	3.15	12.4	3.28	12.0	3.15	11.6	3.02	10.8	2.78
	3.0	2.2	13.9	3.46	13.1	3.22	12.4	2.98	12.0	2.87	11.6	2.76	10.8	2.54
	5.0	4.1	13.9	3.25	13.1	3.03	12.4	2.81	12.0	2.70	11.6	2.60	10.8	2.40
	7.0	6.0	13.9	3.05	13.1	2.85	12.4	2.65	12.0	2.55	11.6	2.45	10.8	2.26
	9.0	7.9	13.9	2.88	13.1	2.68	12.4	2.50	12.0	2.41	11.6	2.32	10.8	2.14
	11.0	9.8	13.9	2.71	13.1	2.53	12.4	2.36	12.0	2.28	11.6	2.19	10.8	2.03
	13.0	11.8	13.9	2.55	13.1	2.39	12.4	2.22	12.0	2.15	11.6	2.07	10.8	1.91
15.0	13.7	13.9	2.41	13.1	2.26	12.4	2.11	12.0	2.03	11.6	1.96	10.8	1.82	
18.0	16.8	13.9	2.28	13.1	2.13	12.4	2.00	12.0	1.91	11.6	1.86	10.8	1.73	
20.0	18.5	13.9	2.15	13.1	2.01	12.4	1.90	12.0	1.80	11.6	1.76	10.8	1.65	
24.0	20.5	13.9	2.03	13.1	1.90	12.4	1.80	12.0	1.70	11.6	1.68	10.8	1.57	

Dc Inverter Multi VRF System Technical Sales Guide

Combination	Outdoor air temp		Indoor air temp °C DB											
			16		18		20		21		22		24	
	°C DB	°C WB	TC	PI	TC	PI	TC	PI	TC	PI	TC	PI	TC	PI
80%	-19.8	-20.0	8.9	3.13	8.8	3.22	8.8	3.32	8.8	3.36	8.8	3.41	8.8	3.50
	-18.8	-19.0	9.0	3.16	9.0	3.25	8.9	3.34	8.9	3.39	8.9	3.43	8.9	3.53
	-16.7	-17.0	9.3	3.23	9.3	3.31	9.3	3.40	9.3	3.44	9.3	3.49	9.2	3.57
	-13.7	-15.0	9.7	3.29	9.6	3.37	9.6	3.46	9.6	3.50	9.6	3.54	9.6	3.63
	-11.8	-13.0	10.1	3.36	10.1	3.44	10.0	3.52	10.0	3.56	10.0	3.60	9.7	3.50
	-9.8	-11.0	10.5	3.42	10.5	3.50	10.5	3.58	10.5	3.62	10.4	3.61	9.7	3.31
	-9.5	-10.0	10.8	3.46	10.7	3.53	10.7	3.61	10.7	3.65	10.4	3.50	9.7	3.21
	-8.5	-9.1	11.0	3.49	11.0	3.56	10.9	3.64	10.7	3.56	10.4	3.41	9.7	3.12
	-7.0	-7.6	11.3	3.54	11.3	3.61	11.1	3.53	10.7	3.39	10.4	3.26	9.7	3.00
	-5.0	-5.6	11.9	3.21	11.7	3.58	11.1	3.32	10.7	3.19	10.4	3.06	9.7	2.81
	-3.0	-3.7	12.4	3.23	11.7	3.37	11.1	3.12	10.7	3.02	10.4	2.89	9.7	2.66
	0.0	-0.7	12.4	3.29	11.7	3.06	11.1	2.84	10.7	2.74	10.4	2.63	9.7	2.42
	3.0	2.2	12.4	3.00	11.7	2.79	11.1	2.60	10.7	2.50	10.4	2.41	9.7	2.22
	5.0	4.1	12.4	2.82	11.7	2.63	11.1	2.45	10.7	2.36	10.4	2.28	9.7	2.10
	7.0	6.0	12.4	2.66	11.7	2.49	11.1	2.31	10.7	2.23	10.4	2.15	9.7	1.99
	9.0	7.9	12.4	2.51	11.7	2.35	11.1	2.20	10.7	2.11	10.4	2.03	9.7	1.88
	11.0	9.8	12.4	2.37	11.7	2.22	11.1	2.07	10.7	1.99	10.4	1.92	9.7	1.78
	13.0	11.8	12.4	2.23	11.7	2.09	11.1	1.96	10.7	1.89	10.4	1.82	9.7	1.69
	15.0	13.7	12.4	2.11	11.7	1.98	11.1	1.85	10.7	1.79	10.4	1.73	9.7	1.61
	18.0	16.8	12.4	2.01	11.7	1.89	11.1	1.76	10.7	1.70	10.4	1.64	9.7	1.53
20.0	18.5	12.4	1.94	11.7	1.81	11.1	1.69	10.7	1.62	10.4	1.56	9.7	1.46	
24.0	20.5	12.4	1.88	11.7	1.75	11.1	1.62	10.7	1.55	10.4	1.49	9.7	1.40	

Combination	Outdoor air temp		Indoor air temp °C DB											
			16		18		20		21		22		24	
	°C DB	°C WB	TC	PI	TC	PI	TC	PI	TC	PI	TC	PI	TC	PI
70%	-19.8	-20.0	8.8	3.34	8.8	3.41	8.8	3.49	8.8	3.53	8.8	3.58	8.6	3.54
	-18.8	-19.0	8.9	3.36	8.9	3.44	8.9	3.52	8.9	3.56	8.9	3.60	8.6	3.46
	-16.7	-17.0	9.3	3.42	9.3	3.49	9.2	3.57	9.2	3.61	9.2	3.60	8.6	3.30
	-13.7	-15.0	9.6	3.48	9.6	3.55	9.6	3.62	9.4	3.47	9.2	3.42	8.6	3.14
	-11.8	-13.0	10.0	3.53	10.0	3.60	9.8	3.52	9.4	3.38	9.2	3.25	8.6	2.98
	-9.8	-11.0	10.5	3.59	10.3	3.59	9.8	3.32	9.4	3.19	9.2	3.07	8.6	2.82
	-9.5	-10.0	10.7	3.62	10.3	3.48	9.8	3.23	9.4	3.10	9.2	2.98	8.6	2.74
	-8.5	-9.1	10.9	3.64	10.3	3.39	9.8	3.14	9.4	3.02	9.2	2.90	8.6	2.67
	-7.0	-7.6	10.9	3.48	10.3	3.24	9.8	3.00	9.4	2.89	9.2	2.78	8.6	2.56
	-5.0	-5.6	10.9	3.27	10.3	3.05	9.8	2.83	9.4	2.72	9.2	2.61	8.6	2.41
	-3.0	-3.7	10.9	3.08	10.3	2.87	9.8	2.67	9.4	2.57	9.2	2.47	8.6	2.28
	0.0	-0.7	10.9	2.80	10.3	2.63	9.8	2.44	9.4	2.35	9.2	2.26	8.6	2.09
	3.0	2.2	10.9	2.56	10.3	0.06	9.8	2.23	9.4	2.15	9.2	2.07	8.6	1.92
	5.0	4.1	10.9	2.42	10.3	2.26	9.8	2.11	9.4	2.03	9.2	1.96	8.6	1.82
	7.0	6.0	10.9	2.28	10.3	2.14	9.8	1.99	9.4	1.92	9.2	1.86	8.6	1.72
	9.0	7.9	10.9	2.16	10.3	2.02	9.8	1.89	9.4	1.82	9.2	1.76	8.6	1.63
	11.0	9.8	10.9	2.04	10.3	1.91	9.8	1.79	9.4	1.73	9.2	1.67	8.6	1.55
13.0	11.8	10.9	1.93	10.3	1.81	9.8	1.69	9.4	1.64	9.2	1.58	8.6	1.47	
15.0	13.7	10.9	1.83	10.3	1.72	9.8	1.61	9.4	1.56	9.2	1.50	8.6	1.40	
18.0	16.8	10.9	1.73	10.3	1.63	9.8	1.53	9.4	1.48	9.2	1.43	8.6	1.34	
20.0	18.5	10.9	1.65	10.3	1.55	9.8	1.46	9.4	1.42	9.2	1.37	8.6	1.29	
24.0	20.5	10.9	1.58	10.3	1.48	9.8	1.40	9.4	1.36	9.2	1.32	8.6	1.24	

Dc Inverter Multi VRF System Technical Sales Guide

Combination	Outdoor air temp		Indoor air temp °C DB											
			16		18		20		21		22		24	
	°C DB	°C WB	TC	PI	TC	PI	TC	PI	TC	PI	TC	PI	TC	PI
60%	-19.8	-20.0	8.8	3.54	8.7	3.60	8.5	3.47	8.2	3.33	8.0	3.20	7.5	2.93
	-18.8	-19.0	8.9	3.56	8.9	3.63	8.5	3.39	8.2	3.26	8.0	3.13	7.5	2.87
	-16.7	-17.0	9.2	3.61	8.9	3.49	8.5	3.24	8.2	3.11	8.0	2.99	7.5	2.75
	-13.7	-15.0	9.4	3.57	8.9	3.32	8.5	3.08	8.2	2.96	8.0	2.84	7.5	2.61
	-11.8	-13.0	9.4	3.38	8.9	3.14	8.5	2.92	8.2	2.81	8.0	2.70	7.5	2.49
	-9.8	-11.0	9.4	3.19	8.9	2.97	8.5	2.76	8.2	2.66	8.0	2.56	7.5	2.36
	-9.5	-10.0	9.4	3.10	8.9	2.89	8.5	2.68	8.2	2.59	8.0	2.49	7.5	2.29
	-8.5	-9.1	9.4	3.02	8.9	2.82	8.5	2.62	8.2	2.52	8.0	2.42	7.5	2.24
	-7.0	-7.6	9.4	2.89	8.9	2.70	8.5	2.51	8.2	2.42	8.0	2.32	7.5	2.15
	-5.0	-5.6	9.4	2.72	8.9	2.54	8.5	2.36	8.2	2.28	8.0	2.19	7.5	2.03
	-3.0	-3.7	9.4	2.57	8.9	2.40	8.5	2.24	8.2	2.16	8.0	2.08	7.5	1.92
	0.0	-0.7	9.4	2.35	8.9	2.20	8.5	2.05	8.2	1.98	8.0	1.91	7.5	1.76
	3.0	2.2	9.4	2.15	8.9	2.02	8.5	1.89	8.2	1.82	8.0	1.76	7.5	0.07
	5.0	4.1	9.4	2.03	8.9	1.91	8.5	1.78	8.2	1.73	8.0	1.66	7.5	1.55
	7.0	6.0	9.4	1.92	8.9	1.81	8.5	1.69	8.2	1.64	8.0	1.58	7.5	1.47
	9.0	7.9	9.4	1.82	8.9	1.71	8.5	1.61	8.2	1.55	8.0	1.50	7.5	1.40
	11.0	9.8	9.4	1.73	8.9	1.63	8.5	1.53	8.2	1.48	8.0	1.43	7.5	1.33
13.0	11.8	9.4	1.64	8.9	1.54	8.5	1.45	8.2	1.40	8.0	1.36	7.5	1.27	
15.0	13.7	9.4	1.56	8.9	1.46	8.5	1.38	8.2	1.34	8.0	1.29	7.5	1.21	
18.0	16.8	9.4	1.49	8.9	1.39	8.5	1.32	8.2	1.28	8.0	1.24	7.5	1.16	
20.0	18.5	9.4	1.43	8.9	1.33	8.5	1.26	8.2	1.23	8.0	1.19	7.5	1.11	
24.0	20.5	9.4	1.37	8.9	1.28	8.5	1.22	8.2	1.18	8.0	1.15	7.5	1.08	

Combination	Outdoor air temp		Indoor air temp °C DB											
			16		18		20		21		22		24	
	°C DB	°C WB	TC	PI	TC	PI	TC	PI	TC	PI	TC	PI	TC	PI
50%	-19.8	-20.0	8.0	3.22	7.6	3.00	7.2	2.78	6.9	2.68	6.7	2.58	6.3	2.37
	-18.8	-19.0	8.0	3.15	7.6	2.93	7.2	2.73	6.9	2.62	6.7	2.52	6.3	2.33
	-16.7	-17.0	8.0	3.00	7.6	2.80	7.2	2.61	6.9	2.51	6.7	2.42	6.3	2.23
	-13.7	-15.0	8.0	2.86	7.6	2.67	7.2	2.48	6.9	2.39	6.7	2.30	6.3	2.13
	-11.8	-13.0	8.0	2.72	7.6	2.54	7.2	2.36	6.9	2.28	6.7	2.19	6.3	2.03
	-9.8	-11.0	8.0	2.57	7.6	2.40	7.2	2.24	6.9	2.16	6.7	2.08	6.3	1.92
	-9.5	-10.0	8.0	2.50	7.6	2.34	7.2	2.18	6.9	2.10	6.7	2.03	6.3	1.87
	-8.5	-9.1	8.0	2.44	7.6	2.28	7.2	2.13	6.9	2.05	6.7	1.98	6.3	1.83
	-7.0	-7.6	8.0	2.34	7.6	2.20	7.2	2.04	6.9	1.97	6.7	1.90	6.3	1.76
	-5.0	-5.6	8.0	2.21	7.6	2.07	7.2	1.93	6.9	1.87	6.7	1.80	6.3	1.67
	-3.0	-3.7	8.0	2.09	7.6	1.96	7.2	1.83	6.9	1.77	6.7	1.71	6.3	1.59
	0.0	-0.7	8.0	1.92	7.6	1.80	7.2	1.69	6.9	1.63	6.7	1.57	6.3	1.46
	3.0	2.2	8.0	1.76	7.6	1.66	7.2	1.55	6.9	1.50	6.7	1.46	6.3	1.36
	5.0	4.1	8.0	1.68	7.6	1.57	7.2	1.48	6.9	1.43	6.7	1.38	6.3	1.29
	7.0	6.0	8.0	1.59	7.6	1.50	7.2	1.41	6.9	1.36	6.7	1.32	6.3	1.23
	9.0	7.9	8.0	1.51	7.6	1.42	7.2	1.34	6.9	1.30	6.7	1.25	6.3	1.17
	11.0	9.8	8.0	1.43	7.6	1.35	7.2	1.27	6.9	1.24	6.7	1.20	6.3	1.12
	13.0	11.8	8.0	1.36	7.6	1.29	7.2	1.21	6.9	1.18	6.7	1.14	6.3	1.07
	15.0	13.7	8.0	1.30	7.6	1.23	7.2	1.16	6.9	1.12	6.7	1.09	6.3	1.02
18.0	16.8	8.0	1.24	7.6	1.17	7.2	1.11	6.9	1.08	6.7	1.04	6.3	0.97	
20.0	18.5	8.0	1.18	7.6	1.12	7.2	1.07	6.9	1.04	6.7	1.00	6.3	0.93	
24.0	20.5	8.0	1.12	7.6	1.08	7.2	0.99	6.9	1.00	6.7	0.96	6.3	0.89	

Dc Inverter Multi VRF System Technical Sales Guide

GMV-121WL/A-T

TC—Total capacity of outdoor unit; PI—Power input of outdoor unit

Combination	Outdoor air temp		Indoor air temp °C DB											
			16		18		20		21		22		24	
	°C DB	°C WB	TC kW	PI kW	TC kW	PI kW	TC kW	PI kW	TC kW	PI kW	TC kW	PI kW	TC kW	PI kW
135%	-19.8	-20.0	8.4	1.91	8.4	2.04	8.3	2.18	8.3	2.24	8.3	2.31	8.3	2.45
	-18.8	-19.0	8.5	1.95	8.5	2.08	8.5	2.22	8.5	2.28	8.5	2.35	8.4	2.48
	-16.7	-17.0	8.9	2.04	8.8	2.17	8.8	2.30	8.8	2.35	8.8	2.42	8.7	2.55
	-13.7	-15.0	9.2	2.14	9.2	2.26	9.2	2.38	9.2	2.44	9.1	2.50	9.1	2.63
	-11.8	-13.0	9.6	2.23	9.6	2.35	9.6	2.47	9.5	2.52	9.5	2.58	9.5	2.70
	-9.8	-11.0	10.1	2.33	10.0	2.44	10.0	2.55	10.0	2.61	10.0	2.66	9.9	2.78
	-9.5	-10.0	10.3	2.38	10.3	2.49	10.2	2.59	10.2	2.65	10.2	2.70	10.2	2.81
	-8.5	-9.1	10.5	2.42	10.5	2.52	10.5	2.63	10.4	2.69	10.4	2.74	10.4	2.85
	-7.0	-7.6	10.9	2.49	10.9	2.59	10.9	2.70	10.9	2.75	10.8	2.80	10.8	2.90
	-5.0	-5.6	11.5	2.58	11.4	2.63	11.4	2.78	11.4	2.83	11.3	2.88	11.3	2.97
	-3.0	-3.7	12.0	2.67	12.0	2.76	12.0	2.85	11.9	2.90	11.9	2.95	11.9	3.04
	0.0	-0.7	13.0	2.80	13.0	2.89	12.9	2.97	12.9	3.01	12.9	3.06	12.9	3.14
	3.0	2.2	14.0	2.91	13.9	2.99	13.9	3.08	13.9	3.11	13.9	3.16	13.9	3.23
	5.0	4.1	14.7	2.99	14.7	3.06	14.7	3.14	14.6	3.18	14.6	3.22	14.6	3.29
	7.0	6.0	15.4	3.06	15.4	3.13	15.4	3.20	15.4	2.89	15.4	3.27	14.7	3.14
	9.0	7.9	16.2	3.12	16.2	3.19	16.2	3.26	16.1	3.29	15.8	3.23	14.7	2.95
	11.0	9.8	17.0	3.18	17.0	3.25	16.9	3.29	16.3	3.16	15.8	3.03	14.7	2.78
	13.0	11.8	18.0	3.24	17.9	3.31	16.9	3.08	16.3	2.96	15.8	2.84	14.7	2.61
15.0	13.7	18.8	3.30	18.0	3.13	16.9	2.90	16.3	2.79	15.8	2.68	14.7	2.46	
18.0	16.8	18.8	3.12	18.0	2.98	16.9	2.75	16.3	2.65	15.8	2.53	14.7	2.34	
20.0	18.5	18.8	2.97	18.0	2.85	16.9	2.63	16.3	2.53	15.8	2.41	14.7	2.23	
24.0	20.5	18.8	2.84	18.0	2.74	16.9	2.52	16.3	2.43	15.8	2.30	14.7	2.15	

Combination	Outdoor air temp		Indoor air temp °C DB											
			16		18		20		21		22		24	
	°C DB	°C WB	TC	PI	TC	PI	TC	PI	TC	PI	TC	PI	TC	PI
120%	-19.8	-20.0	8.4	2.09	8.3	2.21	8.3	2.34	8.3	2.40	8.3	2.46	8.3	2.59
	-18.8	-19.0	8.5	2.13	8.5	2.25	8.5	2.35	8.4	2.43	8.4	2.50	8.4	2.62
	-16.7	-17.0	8.8	2.21	8.8	2.33	8.8	2.45	8.7	2.51	8.7	2.57	8.7	2.68
	-13.7	-15.0	9.2	2.30	9.2	2.41	9.1	2.52	9.1	2.58	9.1	2.64	9.1	2.75
	-11.8	-13.0	9.6	2.39	9.6	2.50	9.5	2.61	9.5	2.66	9.5	2.71	9.5	2.82
	-9.8	-11.0	10.0	2.48	10.0	2.58	10.0	2.69	9.9	2.74	9.9	2.79	9.9	2.90
	-9.5	-10.0	10.3	2.52	10.2	2.63	10.2	2.72	10.2	2.78	10.2	2.81	10.2	2.93
	-8.5	-9.1	10.5	2.56	10.4	2.66	10.4	2.76	10.4	2.81	10.4	2.86	10.4	2.96
	-7.0	-7.6	10.9	2.63	10.9	2.72	10.8	2.82	10.8	2.87	10.8	2.91	10.8	3.01
	-5.0	-5.6	11.4	2.71	11.4	2.81	11.3	2.90	11.3	2.94	11.3	2.99	11.3	3.08
	-3.0	-3.7	12.0	2.79	12.0	2.88	11.9	2.97	11.9	3.01	11.9	3.05	11.9	3.14
	0.0	-0.7	12.9	2.91	12.9	2.99	12.9	3.11	12.9	3.11	12.8	3.15	12.8	3.23
	3.0	2.2	13.9	3.02	13.9	3.10	13.9	3.17	13.9	3.21	13.9	3.24	13.6	3.23
	5.0	4.1	14.7	3.09	14.6	3.16	14.6	3.23	14.6	3.26	14.6	3.30	13.6	3.03
	7.0	6.0	15.4	3.15	15.4	3.22	15.4	3.29	15.1	3.24	14.6	3.11	13.6	2.85
	9.0	7.9	16.2	3.22	16.1	3.28	15.6	3.17	15.1	3.04	14.6	2.92	13.6	2.68
	11.0	9.8	17.0	3.27	16.6	3.22	15.6	2.98	15.1	2.86	14.6	2.75	13.6	2.53
	13.0	11.8	17.6	3.24	16.6	3.02	15.6	2.79	15.1	2.69	14.6	2.58	13.6	2.38
15.0	13.7	17.6	3.05	16.6	2.84	15.6	2.64	15.1	2.54	14.6	2.44	13.6	2.24	
18.0	16.8	17.6	2.88	16.6	2.69	15.6	2.50	15.1	2.40	14.6	2.31	13.6	2.13	
20.0	18.5	17.6	2.73	16.6	2.57	15.6	2.39	15.1	2.29	14.6	2.20	13.6	2.03	
24.0	20.5	17.6	2.60	16.6	2.46	15.6	2.31	15.1	2.20	14.6	2.11	13.6	1.94	

Dc Inverter Multi VRF System Technical Sales Guide

Combination	Outdoor air temp		Indoor air temp °C DB											
			16		18		20		21		22		24	
	°C DB	°C WB	TC	PI	TC	PI	TC	PI	TC	PI	TC	PI	TC	PI
			kW	kW	kW	kW	kW	kW	kW	kW	kW	kW	kW	kW
110%	-19.8	-20.0	8.3	2.27	8.3	2.38	8.3	2.50	8.3	2.56	8.3	2.61	8.2	2.73
	-18.8	-19.0	8.5	2.31	8.5	2.42	8.4	2.53	8.4	2.59	8.4	2.64	8.4	2.76
	-16.7	-17.0	8.8	2.38	8.7	2.49	8.7	2.60	8.7	2.65	8.7	2.71	8.7	2.82
	-13.7	-15.0	9.2	2.47	9.1	2.57	9.1	2.67	9.1	2.72	9.1	2.78	9.0	2.88
	-11.8	-13.0	9.5	2.55	9.5	2.65	9.5	2.75	9.5	2.79	9.5	2.84	9.5	2.95
	-9.8	-11.0	10.0	2.63	9.9	2.72	9.9	2.82	9.9	2.87	9.9	2.91	9.9	3.01
	-9.5	-10.0	10.2	2.67	10.2	2.76	10.2	2.86	10.2	2.90	10.2	2.95	10.1	3.04
	-8.5	-9.1	10.4	2.71	10.4	2.80	10.4	2.89	10.4	2.93	10.4	2.98	10.4	3.07
	-7.0	-7.6	10.8	2.77	10.8	2.85	10.8	2.94	10.8	2.99	10.9	3.03	10.7	3.12
	-5.0	-5.6	11.4	2.85	11.3	2.93	11.3	3.01	11.3	3.05	11.8	3.10	11.3	3.18
	-3.0	-3.7	11.9	2.92	11.9	3.00	11.9	3.08	11.9	3.12	12.8	3.16	11.8	3.24
	0.0	-0.7	12.9	3.03	12.9	3.10	12.8	3.18	12.8	3.21	13.4	3.25	12.5	3.19
	3.0	2.2	13.9	3.13	13.9	3.20	13.9	3.26	13.8	3.30	13.4	3.16	12.5	2.90
	5.0	4.1	14.6	3.19	14.6	3.26	14.3	3.23	13.8	3.10	13.4	2.97	12.5	2.73
	7.0	6.0	15.4	3.25	15.2	3.27	14.3	3.03	13.8	2.91	13.4	2.79	12.5	2.57
	9.0	7.9	16.1	3.30	15.2	3.08	14.3	2.85	13.8	2.74	13.4	2.63	12.5	2.42
	11.0	9.8	16.1	3.11	15.2	2.89	14.3	2.68	13.8	2.58	13.4	2.48	12.5	2.28
	13.0	11.8	16.1	2.91	15.2	2.71	14.3	2.52	13.8	2.43	13.4	2.33	12.5	2.15
15.0	13.7	16.1	2.75	15.2	2.56	14.3	2.38	13.8	2.29	13.4	2.21	12.5	2.03	
18.0	16.8	16.1	2.60	15.2	2.43	14.3	2.17	13.8	2.17	13.4	2.10	12.5	1.94	
20.0	18.5	16.1	2.47	15.2	2.31	14.3	2.06	13.8	2.07	13.4	2.01	12.5	1.85	
24.0	20.5	16.1	2.35	15.2	2.20	14.3	1.96	13.8	1.98	13.4	1.94	12.5	1.78	

Combination	Outdoor air temp		Indoor air temp °C DB											
			16		18		20		21		22		24	
	°C DB	°C WB	TC	PI	TC	PI	TC	PI	TC	PI	TC	PI	TC	PI
100%	-19.8	-20.0	8.3	2.45	8.3	2.56	8.3	2.66	8.2	2.71	8.2	2.76	8.2	2.87
	-18.8	-19.0	8.4	2.49	8.4	2.59	8.4	2.69	8.4	2.74	8.3	2.79	8.3	2.90
	-16.7	-17.0	8.7	2.56	8.7	2.65	8.7	2.75	8.7	2.80	8.7	2.85	8.7	2.95
	-13.7	-15.0	9.1	2.63	9.1	2.72	9.1	2.82	9.0	2.87	9.0	2.91	9.0	3.01
	-11.8	-13.0	9.5	2.71	9.5	2.79	9.5	2.89	9.5	2.93	9.5	2.87	9.4	3.07
	-9.8	-11.0	9.9	2.78	9.9	2.87	9.9	2.95	9.9	3.00	9.9	3.04	9.9	3.12
	-9.5	-10.0	10.2	2.82	10.2	2.90	10.2	2.99	10.1	3.03	10.1	3.07	10.1	3.16
	-8.5	-9.1	10.4	2.85	10.4	2.93	10.4	3.02	10.4	3.06	10.3	3.10	10.3	3.18
	-7.0	-7.6	10.8	2.91	10.8	2.99	10.7	3.06	10.7	3.11	10.7	3.15	10.7	3.23
	-5.0	-5.6	11.3	2.98	11.3	3.05	11.3	3.13	11.3	3.17	11.3	3.20	11.3	3.28
	-3.0	-3.7	11.9	3.05	11.9	3.12	11.8	3.2	11.8	3.23	11.8	3.26	11.3	3.12
	0.0	-0.7	12.8	3.15	12.8	3.21	12.8	3.3	12.6	3.23	12.2	3.09	11.3	2.84
	3.0	2.2	13.9	3.24	13.8	3.30	13.0	3.1	12.6	2.93	12.2	2.82	11.3	2.58
	5.0	4.1	14.6	3.30	13.8	3.10	13.0	2.9	12.6	2.76	12.2	2.65	11.3	2.44
	7.0	6.0	14.7	3.13	13.8	2.91	13.0	2.7	12.6	2.60	12.2	2.50	11.3	2.30
	9.0	7.9	14.7	2.94	13.8	2.74	13.0	2.5	12.6	2.45	12.2	2.35	11.3	2.17
	11.0	9.8	14.7	2.77	13.8	2.58	13.0	2.4	12.6	2.31	12.2	2.22	11.3	2.05
13.0	11.8	14.7	2.60	13.8	2.43	13.0	2.3	12.6	2.17	12.2	2.09	11.3	1.93	
15.0	13.7	14.7	2.45	13.8	2.29	13.0	2.1	12.6	2.05	12.2	1.98	11.3	1.83	
18.0	16.8	14.7	2.31	13.8	2.18	13.0	2.06	12.6	1.95	12.2	1.87	11.3	1.74	
20.0	18.5	14.7	2.18	13.8	2.10	13.0	1.98	12.6	1.86	12.2	1.78	11.3	1.67	
24.0	20.5	14.7	2.06	13.8	2.03	13.0	1.90	12.6	1.79	12.2	1.71	11.3	1.62	

Dc Inverter Multi VRF System Technical Sales Guide

Combination	Outdoor air temp		Indoor air temp °C DB											
			16		18		20		21		22		24	
	°C DB	°C WB	TC	PI	TC	PI	TC	PI	TC	PI	TC	PI	TC	PI
90%	-19.8	-20.0	8.9	2.64	8.9	2.73	8.9	2.82	8.8	2.87	8.8	2.92	8.8	3.01
	-18.8	-19.0	9.0	2.66	9.0	2.76	9.0	2.85	9.0	2.90	9.0	2.94	8.9	3.03
	-16.7	-17.0	9.4	2.73	9.3	2.82	9.3	2.91	9.3	2.95	9.3	2.99	9.3	3.08
	-13.7	-15.0	9.7	2.80	9.7	2.88	9.7	2.97	9.6	2.98	9.6	3.05	9.6	3.13
	-11.8	-13.0	10.1	2.86	10.1	2.95	10.1	3.03	10.1	3.07	10.1	3.11	10.0	3.19
	-9.8	-11.0	10.6	2.93	10.6	3.01	10.5	3.09	10.5	3.13	10.5	3.17	10.5	3.24
	-9.5	-10.0	10.8	2.97	10.8	3.04	10.8	3.12	10.7	3.16	10.7	3.19	10.7	3.27
	-8.5	-9.1	11.0	3.00	11.0	3.07	11.0	3.15	11.0	3.18	11.0	3.22	10.8	3.25
	-7.0	-7.6	11.4	3.05	11.4	3.12	11.3	3.19	11.3	3.23	11.3	3.26	10.8	3.10
	-5.0	-5.6	12.0	3.11	11.9	3.18	11.9	3.25	11.9	3.28	11.6	3.18	10.8	2.92
	-3.0	-3.7	12.5	3.17	12.5	2.89	12.4	3.25	12.0	3.12	11.6	2.99	10.8	2.75
	0.0	-0.7	13.5	3.26	13.1	2.83	12.4	2.95	12.0	2.83	11.6	2.72	10.8	2.50
	3.0	2.2	13.9	3.11	13.1	2.90	12.4	2.69	12.0	2.58	11.6	2.48	10.8	2.29
	5.0	4.1	13.9	2.92	13.1	2.72	12.4	2.53	12.0	2.43	11.6	2.34	10.8	2.16
	7.0	6.0	13.9	2.75	13.1	2.57	12.4	2.38	12.0	2.30	11.6	2.21	10.8	2.04
	9.0	7.9	13.9	2.59	13.1	2.42	12.4	2.25	12.0	2.17	11.6	2.09	10.8	1.93
	11.0	9.8	13.9	2.44	13.1	2.28	12.4	2.12	12.0	2.05	11.6	1.97	10.8	1.82
	13.0	11.8	13.9	2.30	13.1	2.15	12.4	2.00	12.0	1.93	11.6	1.86	10.8	1.72
15.0	13.7	13.9	2.17	13.1	2.03	12.4	1.90	12.0	1.82	11.6	1.76	10.8	1.63	
18.0	16.8	13.9	2.05	13.1	1.92	12.4	1.80	12.0	1.72	11.6	1.67	10.8	1.55	
20.0	18.5	13.9	1.94	13.1	1.81	12.4	1.71	12.0	1.62	11.6	1.59	10.8	1.48	
24.0	20.5	13.9	1.83	13.1	1.71	12.4	1.62	12.0	1.53	11.6	1.51	10.8	1.42	

Combination	Outdoor air temp		Indoor air temp °C DB											
			16		18		20		21		22		24	
	°C DB	°C WB	TC	PI	TC	PI	TC	PI	TC	PI	TC	PI	TC	PI
80%	-19.8	-20.0	8.9	2.82	8.8	2.90	8.8	2.98	8.8	3.03	8.8	3.07	8.8	3.15
	-18.8	-19.0	9.0	2.84	9.0	2.93	8.9	3.01	8.9	3.05	8.9	3.09	8.9	3.17
	-16.7	-17.0	9.3	2.90	9.3	2.98	9.3	3.06	9.3	3.10	9.3	3.14	9.2	3.22
	-13.7	-15.0	9.7	2.96	9.6	3.04	9.6	3.11	9.6	3.15	9.6	3.19	9.6	3.26
	-11.8	-13.0	10.1	3.02	10.1	3.10	10.0	3.17	10.0	3.20	10.0	3.24	9.7	3.15
	-9.8	-11.0	10.5	3.08	10.5	3.15	10.5	3.22	10.5	3.25	10.4	3.25	9.7	2.98
	-9.5	-10.0	10.8	3.11	10.7	3.18	10.7	3.25	10.7	3.28	10.4	3.15	9.7	2.89
	-8.5	-9.1	11.0	3.14	11.0	3.21	10.9	3.27	10.7	3.20	10.4	3.07	9.7	2.81
	-7.0	-7.6	11.3	3.19	11.3	3.25	11.1	3.18	10.7	3.05	10.4	2.93	9.7	2.70
	-5.0	-5.6	11.9	2.89	11.7	3.23	11.1	2.99	10.7	2.87	10.4	2.76	9.7	2.53
	-3.0	-3.7	12.4	2.91	11.7	3.04	11.1	2.81	10.7	2.72	10.4	2.60	9.7	2.39
	0.0	-0.7	12.4	2.96	11.7	2.76	11.1	2.56	10.7	2.47	10.4	2.37	9.7	2.18
	3.0	2.2	12.4	2.70	11.7	2.51	11.1	2.34	10.7	2.25	10.4	2.17	9.7	2.00
	5.0	4.1	12.4	2.54	11.7	2.37	11.1	2.21	10.7	2.12	10.4	2.05	9.7	1.89
	7.0	6.0	12.4	2.39	11.7	2.24	11.1	2.08	10.7	2.01	10.4	1.94	9.7	1.79
	9.0	7.9	12.4	2.26	11.7	2.11	11.1	1.98	10.7	1.90	10.4	1.83	9.7	1.69
	11.0	9.8	12.4	2.13	11.7	2.00	11.1	1.86	10.7	1.80	10.4	1.73	9.7	1.61
	13.0	11.8	12.4	2.01	11.7	1.88	11.1	1.76	10.7	1.70	10.4	1.64	9.7	1.52
15.0	13.7	12.4	1.90	11.7	1.78	11.1	1.67	10.7	1.61	10.4	1.55	9.7	1.44	
18.0	16.8	12.4	1.81	11.7	1.70	11.1	1.59	10.7	1.53	10.4	1.47	9.7	1.38	
20.0	18.5	12.4	1.74	11.7	1.63	11.1	1.52	10.7	1.46	10.4	1.40	9.7	1.31	
24.0	20.5	12.4	1.69	11.7	1.57	11.1	1.46	10.7	1.40	10.4	1.34	9.7	1.26	

Dc Inverter Multi VRF System Technical Sales Guide

Combination	Outdoor air temp		Indoor air temp °C DB											
			16		18		20		21		22		24	
	°C DB	°C WB	TC	PI	TC	PI	TC	PI	TC	PI	TC	PI	TC	PI
70%	-19.8	-20.0	8.8	3.00	8.8	3.07	8.8	3.15	8.8	3.18	8.8	3.22	8.6	3.18
	-18.8	-19.0	8.9	3.03	8.9	3.10	8.9	3.17	8.9	3.20	8.9	3.24	8.6	3.12
	-16.7	-17.0	9.3	3.08	9.3	3.15	9.2	3.21	9.2	3.25	9.2	3.24	8.6	2.97
	-13.7	-15.0	9.6	3.13	9.6	3.19	9.6	3.26	9.4	3.13	9.2	3.08	8.6	2.83
	-11.8	-13.0	10.0	3.18	10.0	3.24	9.8	3.17	9.4	3.04	9.2	2.92	8.6	2.68
	-9.8	-11.0	10.5	3.23	10.3	3.23	9.8	2.99	9.4	2.88	9.2	2.76	8.6	2.54
	-9.5	-10.0	10.7	3.26	10.3	3.13	9.8	2.90	9.4	2.79	9.2	2.68	8.6	2.47
	-8.5	-9.1	10.9	3.28	10.3	3.05	9.8	2.83	9.4	2.72	9.2	2.61	8.6	2.40
	-7.0	-7.6	10.9	3.13	10.3	2.91	9.8	2.70	9.4	2.60	9.2	2.50	8.6	2.30
	-5.0	-5.6	10.9	2.94	10.3	2.74	9.8	2.55	9.4	2.45	9.2	2.35	8.6	2.17
	-3.0	-3.7	10.9	2.77	10.3	2.58	9.8	2.40	9.4	2.31	9.2	2.22	8.6	2.05
	0.0	-0.7	10.9	2.52	10.3	2.37	9.8	2.19	9.4	2.11	9.2	2.03	8.6	1.88
	3.0	2.2	10.9	2.30	10.3	0.05	9.8	2.01	9.4	1.94	9.2	1.87	8.6	1.73
	5.0	4.1	10.9	2.17	10.3	2.03	9.8	1.90	9.4	1.83	9.2	1.77	8.6	1.63
	7.0	6.0	10.9	2.05	10.3	1.93	9.8	1.80	9.4	1.73	9.2	1.67	8.6	1.55
	9.0	7.9	10.9	1.94	10.3	1.82	9.8	1.70	9.4	1.64	9.2	1.58	8.6	1.47
	11.0	9.8	10.9	1.84	10.3	1.72	9.8	1.61	9.4	1.56	9.2	1.50	8.6	1.40
13.0	11.8	10.9	1.74	10.3	1.63	9.8	1.53	9.4	1.48	9.2	1.42	8.6	1.33	
15.0	13.7	10.9	1.64	10.3	1.55	9.8	1.45	9.4	1.40	9.2	1.35	8.6	1.26	
18.0	16.8	10.9	1.56	10.3	1.47	9.8	1.38	9.4	1.34	9.2	1.29	8.6	1.21	
20.0	18.5	10.9	1.49	10.3	1.40	9.8	1.31	9.4	1.28	9.2	1.23	8.6	1.16	
24.0	20.5	10.9	1.42	10.3	1.34	9.8	1.26	9.4	1.22	9.2	1.19	8.6	1.12	

Combination	Outdoor air temp		Indoor air temp °C DB											
			16		18		20		21		22		24	
	°C DB	°C WB	TC	PI	TC	PI	TC	PI	TC	PI	TC	PI	TC	PI
60%	-19.8	-20.0	8.8	3.18	8.7	3.24	8.5	3.12	8.2	3.00	8.0	2.88	7.5	2.64
	-18.8	-19.0	8.9	3.20	8.9	3.26	8.5	3.05	8.2	2.93	8.0	2.82	7.5	2.58
	-16.7	-17.0	9.2	3.25	8.9	3.15	8.5	2.91	8.2	2.80	8.0	2.69	7.5	2.47
	-13.7	-15.0	9.4	3.21	8.9	2.99	8.5	2.77	8.2	2.66	8.0	2.56	7.5	2.35
	-11.8	-13.0	9.4	3.04	8.9	2.83	8.5	2.63	8.2	2.53	8.0	2.43	7.5	2.24
	-9.8	-11.0	9.4	2.87	8.9	2.68	8.5	2.49	8.2	2.39	8.0	2.30	7.5	2.12
	-9.5	-10.0	9.4	2.79	8.9	2.60	8.5	2.42	8.2	2.33	8.0	2.24	7.5	2.06
	-8.5	-9.1	9.4	2.72	8.9	2.54	8.5	2.36	8.2	2.27	8.0	2.18	7.5	2.01
	-7.0	-7.6	9.4	2.60	8.9	2.43	8.5	2.25	8.2	2.17	8.0	2.09	7.5	1.93
	-5.0	-5.6	9.4	2.45	8.9	2.29	8.5	2.13	8.2	2.05	8.0	1.97	7.5	1.83
	-3.0	-3.7	9.4	2.31	8.9	2.16	8.5	2.02	8.2	1.94	8.0	1.87	7.5	1.73
	0.0	-0.7	9.4	2.11	8.9	1.98	8.5	1.84	8.2	1.78	8.0	1.71	7.5	1.59
	3.0	2.2	9.4	1.94	8.9	1.82	8.5	1.70	8.2	1.64	8.0	1.58	7.5	0.06
	5.0	4.1	9.4	1.83	8.9	1.72	8.5	1.61	8.2	1.55	8.0	1.50	7.5	1.39
	7.0	6.0	9.4	1.73	8.9	1.63	8.5	1.52	8.2	1.47	8.0	1.42	7.5	1.32
	9.0	7.9	9.4	1.64	8.9	1.54	8.5	1.44	8.2	1.40	8.0	1.35	7.5	1.26
	11.0	9.8	9.4	1.56	8.9	1.47	8.5	1.37	8.2	1.33	8.0	1.28	7.5	1.20
13.0	11.8	9.4	1.47	8.9	1.39	8.5	1.30	8.2	1.26	8.0	1.22	7.5	1.14	
15.0	13.7	9.4	1.40	8.9	1.32	8.5	1.24	8.2	1.20	8.0	1.16	7.5	1.09	
18.0	16.8	9.4	1.34	8.9	1.26	8.5	1.19	8.2	1.15	8.0	1.12	7.5	1.04	
20.0	18.5	9.4	1.28	8.9	1.20	8.5	1.14	8.2	1.10	8.0	1.07	7.5	1.00	
24.0	20.5	9.4	1.23	8.9	1.15	8.5	1.09	8.2	1.07	8.0	1.04	7.5	0.97	

Dc Inverter Multi VRF System Technical Sales Guide

Combination	Outdoor air temp		Indoor air temp °C DB											
			16		18		20		21		22		24	
	°C DB	°C WB	TC	PI	TC	PI	TC	PI	TC	PI	TC	PI	TC	PI
50%	-19.8	-20.0	8.0	2.90	7.6	2.70	7.2	2.50	6.9	2.41	6.7	2.32	6.3	2.14
	-18.8	-19.0	8.0	2.83	7.6	2.64	7.2	2.45	6.9	2.36	6.7	2.27	6.3	2.09
	-16.7	-17.0	8.0	2.70	7.6	2.52	7.2	2.35	6.9	2.26	6.7	2.17	6.3	2.01
	-13.7	-15.0	8.0	2.57	7.6	2.40	7.2	2.23	6.9	2.15	6.7	2.07	6.3	1.91
	-11.8	-13.0	8.0	2.44	7.6	2.29	7.2	2.12	6.9	2.05	6.7	1.97	6.3	1.82
	-9.8	-11.0	8.0	2.31	7.6	2.16	7.2	2.02	6.9	1.94	6.7	1.87	6.3	1.73
	-9.5	-10.0	8.0	2.25	7.6	2.10	7.2	1.96	6.9	1.89	6.7	1.82	6.3	1.69
	-8.5	-9.1	8.0	2.20	7.6	2.05	7.2	1.91	6.9	1.85	6.7	1.78	6.3	1.65
	-7.0	-7.6	8.0	2.10	7.6	1.98	7.2	1.84	6.9	1.77	6.7	1.71	6.3	1.58
	-5.0	-5.6	8.0	1.98	7.6	1.86	7.2	1.74	6.9	1.68	6.7	1.62	6.3	1.50
	-3.0	-3.7	8.0	1.88	7.6	1.76	7.2	1.65	6.9	1.59	6.7	1.54	6.3	1.43
	0.0	-0.7	8.0	1.73	7.6	1.62	7.2	1.52	6.9	1.47	6.7	1.42	6.3	1.32
	3.0	2.2	8.0	1.59	7.6	1.49	7.2	1.40	6.9	1.35	6.7	1.31	6.3	1.22
	5.0	4.1	8.0	1.51	7.6	1.42	7.2	1.33	6.9	1.29	6.7	1.24	6.3	1.16
	7.0	6.0	8.0	1.43	7.6	1.35	7.2	1.27	6.9	1.22	6.7	1.19	6.3	1.11
	9.0	7.9	8.0	1.36	7.6	1.28	7.2	1.20	6.9	1.17	6.7	1.13	6.3	1.06
	11.0	9.8	8.0	1.29	7.6	1.22	7.2	1.15	6.9	1.11	6.7	1.08	6.3	1.01
	13.0	11.8	8.0	1.23	7.6	1.16	7.2	1.09	6.9	1.06	6.7	1.02	6.3	0.96
15.0	13.7	8.0	1.17	7.6	1.10	7.2	1.04	6.9	1.01	6.7	0.98	6.3	0.92	
18.0	16.8	8.0	1.11	7.6	1.06	7.2	1.00	6.9	0.97	6.7	0.94	6.3	0.87	
20.0	18.5	8.0	1.06	7.6	1.01	7.2	0.96	6.9	0.93	6.7	0.90	6.3	0.83	
24.0	20.5	8.0	1.01	7.6	0.97	7.2	0.89	6.9	0.90	6.7	0.86	6.3	0.80	

GMV-141WL/C-T

TC—Total capacity of outdoor unit; PI—Power input of outdoor unit

Combination	Outdoor air temp		Indoor air temp °C DB											
			16		18		20		21		22		24	
	°C DB	°C WB	TC kW	PI kW	TC kW	PI kW	TC kW	PI kW	TC kW	PI kW	TC kW	PI kW	TC kW	PI kW
135%	-19.8	-20.0	10.4	2.94	10.3	3.14	10.3	3.36	10.3	3.46	10.2	3.56	10.2	3.77
	-18.8	-19.0	10.5	3.00	10.5	3.21	10.5	3.41	10.4	3.52	10.4	3.61	10.4	3.82
	-16.7	-17.0	10.9	3.14	10.9	3.34	10.8	3.54	10.8	3.62	10.8	3.73	10.8	3.93
	-13.7	-15.0	11.4	3.29	11.3	3.48	11.3	3.67	11.3	3.76	11.2	3.86	11.2	4.05
	-11.8	-13.0	11.8	3.44	11.8	3.62	11.8	3.80	11.7	3.89	11.7	3.98	11.7	4.16
	-9.8	-11.0	12.4	3.59	12.3	3.76	12.3	3.93	12.3	4.02	12.3	4.11	12.2	4.28
	-9.5	-10.0	12.7	3.66	12.6	3.83	12.6	4.00	12.6	4.08	12.5	4.17	12.5	4.33
	-8.5	-9.1	13.0	3.73	12.9	3.89	12.9	4.06	12.9	4.14	12.9	4.22	12.8	4.39
	-7.0	-7.6	13.4	3.84	13.4	4.00	13.4	4.15	13.4	4.24	13.3	4.31	13.3	4.47
	-5.0	-5.6	14.1	3.98	14.1	4.05	14.0	4.28	14.0	4.36	14.0	4.43	14.0	4.58
	-3.0	-3.7	14.8	4.11	14.7	4.26	14.7	4.40	14.7	4.47	14.7	4.54	14.6	4.68
	0.0	-0.7	15.9	4.31	15.9	4.45	15.9	4.58	15.9	4.64	15.8	4.71	15.8	4.84
	3.0	2.2	17.2	4.49	17.2	4.61	17.1	4.74	17.1	4.80	17.1	4.86	17.1	4.98
	5.0	4.1	18.1	4.60	18.0	4.72	18.0	4.84	18.0	4.89	18.0	4.95	17.9	5.07
	7.0	6.0	19.0	4.71	18.9	4.82	18.9	4.93	18.9	4.45	18.9	5.04	18.1	4.84
	9.0	7.9	20.0	4.81	19.9	4.92	19.9	5.02	19.9	5.07	19.5	4.97	18.1	4.55
	11.0	9.8	21.0	4.91	20.9	5.00	20.8	5.07	20.1	4.87	19.5	4.67	18.1	4.28
	13.0	11.8	22.1	5.00	22.0	5.09	20.8	4.75	20.1	4.56	19.5	4.38	18.1	4.02
15.0	13.7	23.2	5.08	22.1	4.82	20.8	4.47	20.1	4.30	19.5	4.13	18.1	3.79	
18.0	16.8	23.2	4.81	22.1	4.59	20.8	4.24	20.1	4.08	19.5	3.90	18.1	3.60	
20.0	18.5	23.2	4.58	22.1	4.39	20.8	4.05	20.1	3.90	19.5	3.71	18.1	3.44	
24.0	20.5	23.2	4.38	22.1	4.22	20.8	3.89	20.1	3.75	19.5	3.54	18.1	3.32	

Dc Inverter Multi VRF System Technical Sales Guide

Combination	Outdoor air temp		Indoor air temp °C DB											
			16		18		20		21		22		24	
	°C DB	°C WB	TC	PI	TC	PI	TC	PI	TC	PI	TC	PI	TC	PI
			kW	kW	kW	kW	kW	kW	kW	kW	kW	kW	kW	kW
120%	-19.8	-20.0	10.3	3.22	10.3	3.41	10.2	3.60	10.2	3.70	10.2	3.79	10.2	3.99
	-18.8	-19.0	10.5	3.28	10.4	3.47	10.4	3.62	10.4	3.75	10.4	3.85	10.3	4.04
	-16.7	-17.0	10.9	3.41	10.8	3.59	10.8	3.77	10.8	3.86	10.8	3.95	10.7	4.13
	-13.7	-15.0	11.3	3.54	11.3	3.72	11.2	3.89	11.2	3.98	11.2	4.07	11.2	4.24
	-11.8	-13.0	11.8	3.68	11.8	3.85	11.7	4.01	11.7	4.10	11.7	4.18	11.7	4.35
	-9.8	-11.0	12.3	3.82	12.3	3.98	12.3	4.14	12.2	4.22	12.2	4.30	12.2	4.46
	-9.5	-10.0	12.6	3.89	12.6	4.05	12.5	4.20	12.5	4.28	12.5	4.32	12.5	4.51
	-8.5	-9.1	12.9	3.95	12.9	4.10	12.9	4.25	12.8	4.33	12.8	4.41	12.7	4.56
	-7.0	-7.6	13.4	4.05	13.4	4.20	13.3	4.34	13.3	4.42	13.3	4.49	13.3	4.64
	-5.0	-5.6	14.1	4.18	14.0	4.32	14.0	4.46	14.0	4.53	14.0	4.60	13.9	4.74
	-3.0	-3.7	14.7	4.31	14.7	4.44	14.7	4.57	14.7	4.64	14.6	4.71	14.6	4.84
	0.0	-0.7	15.9	4.49	15.9	4.61	15.8	4.79	15.8	4.80	15.8	4.86	15.8	4.98
	3.0	2.2	17.2	4.66	17.1	4.77	17.1	4.88	17.1	4.94	17.1	5.00	16.7	4.97
	5.0	4.1	18.0	4.76	18.0	4.87	18.0	4.98	17.9	5.03	17.9	5.08	16.7	4.67
	7.0	6.0	18.9	4.86	18.9	4.96	18.9	5.06	18.6	4.99	18.0	4.79	16.7	4.39
	9.0	7.9	19.9	4.95	19.9	5.05	19.2	4.88	18.6	4.69	18.0	4.50	16.7	4.13
	11.0	9.8	20.9	5.04	20.4	4.95	19.2	4.59	18.6	4.41	18.0	4.24	16.7	3.90
	13.0	11.8	21.7	4.99	20.4	4.65	19.2	4.31	18.6	4.14	18.0	3.98	16.7	3.66
15.0	13.7	21.7	4.70	20.4	4.38	19.2	4.06	18.6	3.91	18.0	3.75	16.7	3.46	
18.0	16.8	21.7	4.44	20.4	4.14	19.2	3.86	18.6	3.70	18.0	3.55	16.7	3.28	
20.0	18.5	21.7	4.21	20.4	3.95	19.2	3.69	18.6	3.53	18.0	3.39	16.7	3.12	
24.0	20.5	21.7	4.00	20.4	3.79	19.2	3.55	18.6	3.38	18.0	3.25	16.7	2.99	

Combination	Outdoor air temp		Indoor air temp °C DB											
			16		18		20		21		22		24	
	°C DB	°C WB	TC	PI	TC	PI	TC	PI	TC	PI	TC	PI	TC	PI
110%	-19.8	-20.0	10.3	3.50	10.2	3.67	10.2	3.85	10.2	3.94	10.2	4.02	10.1	4.20
	-18.8	-19.0	10.4	3.55	10.4	3.73	10.4	3.90	10.4	3.99	10.3	4.07	10.3	4.25
	-16.7	-17.0	10.8	3.67	10.8	3.84	10.8	4.01	10.7	4.09	10.7	4.18	10.7	4.34
	-13.7	-15.0	11.3	3.80	11.2	3.96	11.2	4.12	11.2	4.20	11.2	4.28	11.1	4.44
	-11.8	-13.0	11.7	3.93	11.7	4.08	11.7	4.23	11.7	4.31	11.6	4.38	11.6	4.54
	-9.8	-11.0	12.3	4.05	12.2	4.20	12.2	4.34	12.2	4.42	12.2	4.49	12.2	4.64
	-9.5	-10.0	12.6	4.12	12.5	4.26	12.5	4.40	12.5	4.47	12.5	4.54	12.4	4.68
	-8.5	-9.1	12.9	4.17	12.8	4.31	12.8	4.45	12.8	4.52	12.7	4.59	12.7	4.73
	-7.0	-7.6	13.3	4.27	13.3	4.40	13.3	4.53	13.3	4.60	13.4	4.67	13.2	4.80
	-5.0	-5.6	14.0	4.39	14.0	4.52	13.9	4.64	13.9	4.71	14.6	4.77	13.9	4.90
	-3.0	-3.7	14.7	4.50	14.7	4.62	14.6	4.74	14.6	4.80	15.8	4.86	14.6	4.99
	0.0	-0.7	15.8	4.67	15.8	4.78	15.8	4.89	15.8	4.95	16.5	5.01	15.3	4.91
	3.0	2.2	17.1	4.82	17.1	4.93	17.1	5.03	17.0	5.08	16.5	4.87	15.3	4.47
	5.0	4.1	18.0	4.92	18.0	5.02	17.6	4.97	17.0	4.77	16.5	4.58	15.3	4.20
	7.0	6.0	18.9	5.01	18.7	5.04	17.6	4.67	17.0	4.48	16.5	4.31	15.3	3.95
	9.0	7.9	19.9	5.09	18.7	4.74	17.6	4.39	17.0	4.22	16.5	4.05	15.3	3.73
	11.0	9.8	19.9	4.79	18.7	4.46	17.6	4.13	17.0	3.98	16.5	3.82	15.3	3.52
	13.0	11.8	19.9	4.49	18.7	4.18	17.6	3.88	17.0	3.74	16.5	3.59	15.3	3.31
15.0	13.7	19.9	4.23	18.7	3.94	17.6	3.67	17.0	3.53	16.5	3.40	15.3	3.13	
18.0	16.8	19.9	4.00	18.7	3.74	17.6	3.34	17.0	3.34	16.5	3.24	15.3	2.98	
20.0	18.5	19.9	3.80	18.7	3.55	17.6	3.17	17.0	3.18	16.5	3.10	15.3	2.85	
24.0	20.5	19.9	3.63	18.7	3.39	17.6	3.02	17.0	3.05	16.5	2.99	15.3	2.74	

Dc Inverter Multi VRF System Technical Sales Guide

Combination	Outdoor air temp		Indoor air temp °C DB											
			16		18		20		21		22		24	
	°C DB	°C WB	TC	PI	TC	PI	TC	PI	TC	PI	TC	PI	TC	PI
100%	-19.8	-20.0	10.2	3.78	10.2	3.94	10.2	4.10	10.1	4.18	10.1	4.26	10.1	4.42
	-18.8	-19.0	10.4	3.83	10.4	3.99	10.3	4.14	10.3	4.22	10.3	4.31	10.3	4.46
	-16.7	-17.0	10.8	3.94	10.7	4.09	10.7	4.24	10.7	4.32	10.7	4.39	10.7	4.54
	-13.7	-15.0	11.2	4.05	11.2	4.20	11.2	4.34	11.1	4.42	11.1	4.49	11.1	4.64
	-11.8	-13.0	11.7	4.17	11.7	4.31	11.6	4.45	11.6	4.52	11.6	4.42	11.6	4.73
	-9.8	-11.0	12.2	4.28	12.2	4.42	12.2	4.55	12.2	4.62	12.1	4.68	12.1	4.81
	-9.5	-10.0	12.5	4.34	12.5	4.47	12.5	4.60	12.4	4.67	12.4	4.73	12.4	4.86
	-8.5	-9.1	12.8	4.39	12.8	4.52	12.7	4.65	12.7	4.71	12.7	4.78	12.7	4.90
	-7.0	-7.6	13.3	4.48	13.3	4.60	13.2	4.72	13.2	4.79	13.2	4.85	13.2	4.97
	-5.0	-5.6	14.0	4.59	13.9	4.71	13.9	4.82	13.9	4.88	13.9	4.94	13.9	5.06
	-3.0	-3.7	14.6	4.69	14.6	4.80	14.6	4.9	14.6	4.97	14.6	5.02	14.0	4.81
	0.0	-0.7	15.8	4.85	15.8	4.95	15.7	5.1	15.5	4.97	15.0	4.77	14.0	4.38
	3.0	2.2	17.1	4.99	17.0	5.08	16.0	4.7	15.5	4.52	15.0	4.34	14.0	3.98
	5.0	4.1	17.9	5.08	17.0	4.77	16.0	4.4	15.5	4.25	15.0	4.08	14.0	3.75
	7.0	6.0	18.0	4.82	17.0	4.48	16.0	4.2	15.5	4.00	15.0	3.85	14.0	3.54
	9.0	7.9	18.0	4.53	17.0	4.22	16.0	3.9	15.5	3.77	15.0	3.63	14.0	3.34
	11.0	9.8	18.0	4.26	17.0	3.98	16.0	3.7	15.5	3.55	15.0	3.42	14.0	3.16
	13.0	11.8	18.0	4.00	17.0	3.74	16.0	3.5	15.5	3.35	15.0	3.23	14.0	2.98
	15.0	13.7	18.0	3.78	17.0	3.53	16.0	3.3	15.5	3.17	15.0	3.05	14.0	2.82
	18.0	16.8	18.0	3.56	17.0	3.37	16.0	3.18	15.5	3.00	15.0	2.88	14.0	2.69
20.0	18.5	18.0	3.36	17.0	3.23	16.0	3.05	15.5	2.87	15.0	2.75	14.0	2.58	
24.0	20.5	18.0	3.18	17.0	3.12	16.0	2.93	15.5	2.76	15.0	2.64	14.0	2.50	

Combination	Outdoor air temp		Indoor air temp °C DB											
			16		18		20		21		22		24	
	°C DB	°C WB	TC	PI	TC	PI	TC	PI	TC	PI	TC	PI	TC	PI
90%	-19.8	-20.0	11.0	4.06	10.9	4.20	10.9	4.35	10.9	4.42	10.9	4.49	10.9	4.64
	-18.8	-19.0	11.1	4.11	11.1	4.25	11.1	4.39	11.1	4.46	11.1	4.53	11.0	4.67
	-16.7	-17.0	11.5	4.21	11.5	4.34	11.5	4.48	11.5	4.55	11.4	4.61	11.4	4.75
	-13.7	-15.0	12.0	4.31	11.9	4.44	11.9	4.57	11.9	4.59	11.9	4.70	11.9	4.83
	-11.8	-13.0	12.4	4.41	12.4	4.54	12.4	4.66	12.4	4.73	12.4	4.79	12.3	4.91
	-9.8	-11.0	13.0	4.52	13.0	4.64	12.9	4.75	12.9	4.82	12.9	4.88	12.9	5.00
	-9.5	-10.0	13.3	4.57	13.2	4.69	13.2	4.80	13.2	4.86	13.2	4.92	13.2	5.04
	-8.5	-9.1	13.5	4.62	13.5	4.73	13.5	4.85	13.5	4.90	13.5	4.96	13.3	5.01
	-7.0	-7.6	14.0	4.69	14.0	4.80	14.0	4.92	14.0	4.97	14.0	5.02	13.3	4.78
	-5.0	-5.6	14.7	4.80	14.7	4.90	14.7	5.00	14.7	5.06	14.3	4.90	13.3	4.49
	-3.0	-3.7	15.4	4.89	15.4	4.45	15.2	5.01	14.7	4.81	14.3	4.61	13.3	4.24
	0.0	-0.7	16.6	5.03	16.1	4.37	15.2	4.54	14.7	4.37	14.3	4.19	13.3	3.85
	3.0	2.2	17.1	4.79	16.1	4.46	15.2	4.14	14.7	3.98	14.3	3.83	13.3	3.52
	5.0	4.1	17.1	4.51	16.1	4.20	15.2	3.90	14.7	3.75	14.3	3.61	13.3	3.32
	7.0	6.0	17.1	4.24	16.1	3.95	15.2	3.67	14.7	3.54	14.3	3.40	13.3	3.14
	9.0	7.9	17.1	3.99	16.1	3.72	15.2	3.46	14.7	3.34	14.3	3.21	13.3	2.97
	11.0	9.8	17.1	3.76	16.1	3.51	15.2	3.27	14.7	3.16	14.3	3.04	13.3	2.81
	13.0	11.8	17.1	3.54	16.1	3.31	15.2	3.08	14.7	2.98	14.3	2.87	13.3	2.65
	15.0	13.7	17.1	3.34	16.1	3.13	15.2	2.92	14.7	2.81	14.3	2.72	13.3	2.52
	18.0	16.8	17.1	3.16	16.1	2.96	15.2	2.77	14.7	2.65	14.3	2.58	13.3	2.39
20.0	18.5	17.1	2.99	16.1	2.79	15.2	2.63	14.7	2.50	14.3	2.45	13.3	2.29	
24.0	20.5	17.1	2.82	16.1	2.64	15.2	2.50	14.7	2.36	14.3	2.32	13.3	2.18	

Dc Inverter Multi VRF System Technical Sales Guide

Combination	Outdoor air temp		Indoor air temp °C DB											
			16		18		20		21		22		24	
	°C DB	°C WB	TC	PI	TC	PI	TC	PI	TC	PI	TC	PI	TC	PI
80%	-19.8	-20.0	10.9	4.34	10.9	4.47	10.9	4.60	10.9	4.66	10.8	4.73	10.8	4.85
	-18.8	-19.0	11.1	4.38	11.1	4.51	11.0	4.64	11.0	4.70	11.0	4.76	11.0	4.89
	-16.7	-17.0	11.5	4.47	11.4	4.59	11.4	4.72	11.4	4.78	11.4	4.84	11.4	4.95
	-13.7	-15.0	11.9	4.57	11.9	4.68	11.9	4.80	11.9	4.85	11.8	4.91	11.8	5.03
	-11.8	-13.0	12.4	4.66	12.4	4.77	12.3	4.88	12.3	4.93	12.3	4.99	12.0	4.86
	-9.8	-11.0	12.9	4.75	12.9	4.86	12.9	4.96	12.9	5.01	12.8	5.00	12.0	4.59
	-9.5	-10.0	13.2	4.80	13.2	4.90	13.2	5.00	13.2	5.06	12.8	4.86	12.0	4.45
	-8.5	-9.1	13.5	4.84	13.5	4.94	13.4	5.04	13.2	4.93	12.8	4.73	12.0	4.33
	-7.0	-7.6	14.0	4.91	14.0	5.01	13.6	4.90	13.2	4.71	12.8	4.52	12.0	4.16
	-5.0	-5.6	14.7	4.46	14.4	4.97	13.6	4.60	13.2	4.42	12.8	4.25	12.0	3.90
	-3.0	-3.7	15.2	4.48	14.4	4.68	13.6	4.33	13.2	4.19	12.8	4.00	12.0	3.68
	0.0	-0.7	15.2	4.56	14.4	4.25	13.6	3.94	13.2	3.80	12.8	3.65	12.0	3.36
	3.0	2.2	15.2	4.15	14.4	3.87	13.6	3.60	13.2	3.47	12.8	3.34	12.0	3.08
	5.0	4.1	15.2	3.91	14.4	3.65	13.6	3.40	13.2	3.27	12.8	3.16	12.0	2.91
	7.0	6.0	15.2	3.68	14.4	3.45	13.6	3.21	13.2	3.10	12.8	2.98	12.0	2.76
	9.0	7.9	15.2	3.48	14.4	3.25	13.6	3.05	13.2	2.92	12.8	2.82	12.0	2.61
	11.0	9.8	15.2	3.28	14.4	3.07	13.6	2.87	13.2	2.77	12.8	2.67	12.0	2.47
	13.0	11.8	15.2	3.10	14.4	2.90	13.6	2.71	13.2	2.61	12.8	2.52	12.0	2.34
15.0	13.7	15.2	2.93	14.4	2.75	13.6	2.57	13.2	2.48	12.8	2.39	12.0	2.23	
18.0	16.8	15.2	2.79	14.4	2.61	13.6	2.45	13.2	2.36	12.8	2.27	12.0	2.12	
20.0	18.5	15.2	2.69	14.4	2.51	13.6	2.34	13.2	2.25	12.8	2.16	12.0	2.03	
24.0	20.5	15.2	2.60	14.4	2.43	13.6	2.24	13.2	2.15	12.8	2.06	12.0	1.94	

Combination	Outdoor air temp		Indoor air temp °C DB											
			16		18		20		21		22		24	
	°C DB	°C WB	TC	PI	TC	PI	TC	PI	TC	PI	TC	PI	TC	PI
70%	-19.8	-20.0	10.9	4.62	10.8	4.73	10.8	4.85	10.8	4.90	10.8	4.96	10.6	4.91
	-18.8	-19.0	11.0	4.66	11.0	4.77	11.0	4.88	11.0	4.93	11.0	4.99	10.6	4.80
	-16.7	-17.0	11.4	4.74	11.4	4.85	11.4	4.95	11.4	5.00	11.3	5.00	10.6	4.58
	-13.7	-15.0	11.9	4.82	11.8	4.92	11.8	5.02	11.6	4.82	11.3	4.75	10.6	4.35
	-11.8	-13.0	12.3	4.90	12.3	5.00	12.0	4.88	11.6	4.69	11.3	4.50	10.6	4.13
	-9.8	-11.0	12.9	4.98	12.7	4.98	12.0	4.61	11.6	4.43	11.3	4.25	10.6	3.91
	-9.5	-10.0	13.2	5.02	12.7	4.83	12.0	4.47	11.6	4.30	11.3	4.13	10.6	3.80
	-8.5	-9.1	13.4	5.05	12.7	4.70	12.0	4.35	11.6	4.19	11.3	4.02	10.6	3.70
	-7.0	-7.6	13.4	4.82	12.7	4.49	12.0	4.17	11.6	4.01	11.3	3.85	10.6	3.54
	-5.0	-5.6	13.4	4.53	12.7	4.22	12.0	3.92	11.6	3.77	11.3	3.63	10.6	3.34
	-3.0	-3.7	13.4	4.27	12.7	3.98	12.0	3.70	11.6	3.56	11.3	3.43	10.6	3.16
	0.0	-0.7	13.4	3.88	12.7	3.65	12.0	3.38	11.6	3.25	11.3	3.13	10.6	2.90
	3.0	2.2	13.4	3.55	12.7	0.08	12.0	3.10	11.6	2.98	11.3	2.87	10.6	2.66
	5.0	4.1	13.4	3.35	12.7	3.13	12.0	2.93	11.6	2.82	11.3	2.72	10.6	2.52
	7.0	6.0	13.4	3.17	12.7	2.97	12.0	2.77	11.6	2.67	11.3	2.58	10.6	2.39
	9.0	7.9	13.4	2.99	12.7	2.80	12.0	2.62	11.6	2.53	11.3	2.44	10.6	2.26
	11.0	9.8	13.4	2.83	12.7	2.65	12.0	2.49	11.6	2.40	11.3	2.32	10.6	2.15
	13.0	11.8	13.4	2.67	12.7	2.51	12.0	2.35	11.6	2.27	11.3	2.19	10.6	2.04
15.0	13.7	13.4	2.53	12.7	2.38	12.0	2.23	11.6	2.16	11.3	2.09	10.6	1.94	
18.0	16.8	13.4	2.40	12.7	2.26	12.0	2.12	11.6	2.06	11.3	1.99	10.6	1.86	
20.0	18.5	13.4	2.29	12.7	2.16	12.0	2.03	11.6	1.97	11.3	1.90	10.6	1.78	
24.0	20.5	13.4	2.19	12.7	2.06	12.0	1.94	11.6	1.89	11.3	1.83	10.6	1.72	

Dc Inverter Multi VRF System Technical Sales Guide

Combination	Outdoor air temp		Indoor air temp °C DB											
			16		18		20		21		22		24	
	°C DB	°C WB	TC	PI	TC	PI	TC	PI	TC	PI	TC	PI	TC	PI
60%	-19.8	-20.0	10.8	4.91	10.8	5.00	10.4	4.81	10.1	4.62	9.8	4.44	9.2	4.07
	-18.8	-19.0	11.0	4.94	11.0	5.03	10.4	4.71	10.1	4.52	9.8	4.34	9.2	3.98
	-16.7	-17.0	11.4	5.00	11.0	4.85	10.4	4.49	10.1	4.32	9.8	4.14	9.2	3.81
	-13.7	-15.0	11.6	4.95	11.0	4.60	10.4	4.27	10.1	4.11	9.8	3.94	9.2	3.63
	-11.8	-13.0	11.6	4.68	11.0	4.36	10.4	4.05	10.1	3.90	9.8	3.74	9.2	3.45
	-9.8	-11.0	11.6	4.42	11.0	4.12	10.4	3.83	10.1	3.68	9.8	3.54	9.2	3.27
	-9.5	-10.0	11.6	4.30	11.0	4.01	10.4	3.72	10.1	3.59	9.8	3.45	9.2	3.18
	-8.5	-9.1	11.6	4.19	11.0	3.91	10.4	3.63	10.1	3.50	9.8	3.36	9.2	3.10
	-7.0	-7.6	11.6	4.00	11.0	3.74	10.4	3.47	10.1	3.35	9.8	3.22	9.2	2.98
	-5.0	-5.6	11.6	3.77	11.0	3.52	10.4	3.28	10.1	3.16	9.8	3.04	9.2	2.81
	-3.0	-3.7	11.6	3.56	11.0	3.33	10.4	3.11	10.1	2.99	9.8	2.88	9.2	2.66
	0.0	-0.7	11.6	3.25	11.0	3.05	10.4	2.84	10.1	2.74	9.8	2.64	9.2	2.45
	3.0	2.2	11.6	2.98	11.0	2.80	10.4	2.61	10.1	2.52	9.8	2.44	9.2	0.10
	5.0	4.1	11.6	2.82	11.0	2.65	10.4	2.47	10.1	2.39	9.8	2.31	9.2	2.14
	7.0	6.0	11.6	2.67	11.0	2.51	10.4	2.34	10.1	2.27	9.8	2.19	9.2	2.04
	9.0	7.9	11.6	2.53	11.0	2.38	10.4	2.23	10.1	2.16	9.8	2.08	9.2	1.94
	11.0	9.8	11.6	2.40	11.0	2.26	10.4	2.12	10.1	2.05	9.8	1.98	9.2	1.85
	13.0	11.8	11.6	2.27	11.0	2.14	10.4	2.01	10.1	1.94	9.8	1.88	9.2	1.76
	15.0	13.7	11.6	2.16	11.0	2.03	10.4	1.91	10.1	1.85	9.8	1.79	9.2	1.67
	18.0	16.8	11.6	2.06	11.0	1.93	10.4	1.83	10.1	1.77	9.8	1.72	9.2	1.60
20.0	18.5	11.6	1.98	11.0	1.85	10.4	1.75	10.1	1.70	9.8	1.65	9.2	1.55	
24.0	20.5	11.6	1.90	11.0	1.77	10.4	1.69	10.1	1.64	9.8	1.60	9.2	1.49	

Combination	Outdoor air temp		Indoor air temp °C DB											
			16		18		20		21		22		24	
	°C DB	°C WB	TC	PI	TC	PI	TC	PI	TC	PI	TC	PI	TC	PI
50%	-19.8	-20.0	9.8	4.46	9.3	4.15	8.8	3.86	8.5	3.72	8.3	3.57	7.8	3.29
	-18.8	-19.0	9.8	4.37	9.3	4.07	8.8	3.78	8.5	3.64	8.3	3.50	7.8	3.23
	-16.7	-17.0	9.8	4.17	9.3	3.88	8.8	3.61	8.5	3.48	8.3	3.35	7.8	3.09
	-13.7	-15.0	9.8	3.97	9.3	3.70	8.8	3.44	8.5	3.32	8.3	3.19	7.8	2.95
	-11.8	-13.0	9.8	3.77	9.3	3.52	8.8	3.27	8.5	3.16	8.3	3.04	7.8	2.81
	-9.8	-11.0	9.8	3.57	9.3	3.33	8.8	3.11	8.5	2.99	8.3	2.88	7.8	2.67
	-9.5	-10.0	9.8	3.47	9.3	3.24	8.8	3.03	8.5	2.92	8.3	2.81	7.8	2.60
	-8.5	-9.1	9.8	3.38	9.3	3.17	8.8	2.95	8.5	2.85	8.3	2.74	7.8	2.54
	-7.0	-7.6	9.8	3.24	9.3	3.05	8.8	2.83	8.5	2.73	8.3	2.64	7.8	2.44
	-5.0	-5.6	9.8	3.06	9.3	2.87	8.8	2.68	8.5	2.59	8.3	2.50	7.8	2.31
	-3.0	-3.7	9.8	2.90	9.3	2.72	8.8	2.54	8.5	2.45	8.3	2.37	7.8	2.20
	0.0	-0.7	9.8	2.66	9.3	2.50	8.8	2.34	8.5	2.26	8.3	2.18	7.8	2.03
	3.0	2.2	9.8	2.45	9.3	2.30	8.8	2.16	8.5	2.09	8.3	2.02	7.8	1.88
	5.0	4.1	9.8	2.32	9.3	2.18	8.8	2.05	8.5	1.98	8.3	1.92	7.8	1.79
	7.0	6.0	9.8	2.20	9.3	2.07	8.8	1.95	8.5	1.89	8.3	1.83	7.8	1.71
	9.0	7.9	9.8	2.09	9.3	1.97	8.8	1.85	8.5	1.80	8.3	1.74	7.8	1.63
	11.0	9.8	9.8	1.99	9.3	1.87	8.8	1.77	8.5	1.71	8.3	1.66	7.8	1.55
13.0	11.8	9.8	1.89	9.3	1.78	8.8	1.68	8.5	1.63	8.3	1.58	7.8	1.48	
15.0	13.7	9.8	1.80	9.3	1.70	8.8	1.60	8.5	1.56	8.3	1.51	7.8	1.41	
18.0	16.8	9.8	1.71	9.3	1.63	8.8	1.54	8.5	1.49	8.3	1.44	7.8	1.35	
20.0	18.5	9.8	1.63	9.3	1.56	8.8	1.48	8.5	1.44	8.3	1.38	7.8	1.29	
24.0	20.5	9.8	1.56	9.3	1.49	8.8	1.38	8.5	1.39	8.3	1.33	7.8	1.23	

Dc Inverter Multi VRF System Technical Sales Guide

GMV-120WL/C-T, GMV-120WL/C-X

TC—Total capacity of outdoor unit; PI—Power input of outdoor unit

Combination	Outdoor air temp		Indoor air temp °C DB											
			16		18		20		21		22		24	
	°C DB	°C WB	TC	PI	TC	PI	TC	PI	TC	PI	TC	PI	TC	PI
135%	-19.8	-20.0	9.1	2.31	9.0	2.47	9.0	2.64	9.0	2.72	8.9	2.80	8.9	2.96
	-18.8	-19.0	9.2	2.36	9.2	2.52	9.2	2.68	9.1	2.76	9.1	2.84	9.1	3.00
	-16.7	-17.0	9.6	2.47	9.5	2.62	9.5	2.78	9.5	2.85	9.5	2.93	9.4	3.09
	-13.7	-15.0	10.0	2.59	9.9	2.73	9.9	2.88	9.9	2.96	9.8	3.03	9.8	3.18
	-11.8	-13.0	10.4	2.70	10.4	2.85	10.3	2.99	10.3	3.06	10.3	3.13	10.2	3.27
	-9.8	-11.0	10.8	2.82	10.8	2.96	10.8	3.09	10.8	3.16	10.8	3.23	10.7	3.36
	-9.5	-10.0	11.1	2.88	11.1	3.01	11.0	3.14	11.0	3.21	11.0	3.27	11.0	3.41
	-8.5	-9.1	11.3	2.93	11.3	3.06	11.3	3.19	11.2	3.25	11.2	3.32	11.2	3.45
	-7.0	-7.6	11.7	3.02	11.7	3.14	11.7	3.27	11.7	3.33	11.6	3.39	11.6	3.52
	-5.0	-5.6	12.4	3.13	12.3	3.19	12.3	3.37	12.3	3.43	12.2	3.48	12.2	3.60
	-3.0	-3.7	12.9	3.23	12.9	3.35	12.9	3.46	12.8	3.52	12.8	3.57	12.8	3.68
	0.0	-0.7	14.0	3.39	14.0	3.50	13.9	3.60	13.9	3.65	13.9	3.70	13.9	3.81
	3.0	2.2	15.1	3.53	15.0	3.63	15.0	3.72	15.0	3.77	15.0	3.82	14.9	3.92
	5.0	4.1	15.8	3.62	15.8	3.71	15.8	3.80	15.7	3.85	15.7	3.89	15.7	3.98
	7.0	6.0	16.6	3.70	16.6	3.79	16.6	3.88	16.5	3.50	16.5	3.96	15.9	3.81
	9.0	7.9	17.5	3.78	17.4	3.86	17.4	3.95	17.4	3.99	17.0	3.91	15.9	3.58
	11.0	9.8	18.4	3.86	18.3	3.93	18.2	3.98	17.6	3.83	17.0	3.67	15.9	3.37
	13.0	11.8	19.3	3.93	19.3	4.00	18.2	3.73	17.6	3.58	17.0	3.44	15.9	3.16
15.0	13.7	20.3	4.00	19.4	3.79	18.2	3.52	17.6	3.38	17.0	3.24	15.9	2.98	
18.0	16.8	20.3	3.78	19.4	3.61	18.2	3.33	17.6	3.21	17.0	3.07	15.9	2.83	
20.0	18.5	20.3	3.60	19.4	3.45	18.2	3.18	17.6	3.07	17.0	2.91	15.9	2.71	
24.0	20.5	20.3	3.44	19.4	3.32	18.2	3.06	17.6	2.95	17.0	2.78	15.9	2.61	

Combination	Outdoor air temp		Indoor air temp °C DB											
			16		18		20		21		22		24	
	°C DB	°C WB	TC	PI	TC	PI	TC	PI	TC	PI	TC	PI	TC	PI
120%	-19.8	-20.0	9.0	2.53	9.0	2.68	8.9	2.83	8.9	2.90	8.9	2.98	8.9	3.13
	-18.8	-19.0	9.2	2.58	9.1	2.73	9.1	2.85	9.1	2.95	9.1	3.02	9.0	3.17
	-16.7	-17.0	9.5	2.68	9.5	2.82	9.5	2.96	9.4	3.04	9.4	3.11	9.4	3.25
	-13.7	-15.0	9.9	2.79	9.9	2.92	9.8	3.06	9.8	3.13	9.8	3.20	9.8	3.33
	-11.8	-13.0	10.3	2.89	10.3	3.02	10.3	3.16	10.3	3.22	10.2	3.29	10.2	3.42
	-9.8	-11.0	10.8	3.00	10.8	3.13	10.8	3.25	10.7	3.32	10.7	3.38	10.7	3.51
	-9.5	-10.0	11.1	3.06	11.0	3.18	11.0	3.30	11.0	3.36	11.0	3.40	10.9	3.55
	-8.5	-9.1	11.3	3.10	11.2	3.22	11.2	3.34	11.2	3.40	11.2	3.47	11.2	3.58
	-7.0	-7.6	11.7	3.19	11.7	3.30	11.6	3.41	11.6	3.47	11.6	3.53	11.6	3.64
	-5.0	-5.6	12.3	3.29	12.3	3.40	12.2	3.51	12.2	3.56	12.2	3.62	12.2	3.72
	-3.0	-3.7	12.9	3.38	12.9	3.49	12.8	3.59	12.8	3.64	12.8	3.70	12.8	3.80
	0.0	-0.7	13.9	3.53	13.9	3.63	13.9	3.77	13.9	3.77	13.8	3.82	13.8	3.92
	3.0	2.2	15.0	3.66	15.0	3.75	15.0	3.84	14.9	3.89	14.9	3.93	14.6	3.91
	5.0	4.1	15.8	3.74	15.7	3.83	15.7	3.91	15.7	3.95	15.7	4.00	14.6	3.67
	7.0	6.0	16.6	3.82	16.6	3.90	16.5	3.98	16.3	3.92	15.7	3.76	14.6	3.45
	9.0	7.9	17.4	3.89	17.4	3.97	16.8	3.84	16.3	3.69	15.7	3.54	14.6	3.25
	11.0	9.8	18.3	3.96	17.9	3.89	16.8	3.61	16.3	3.47	15.7	3.33	14.6	3.06
13.0	11.8	19.0	3.92	17.9	3.65	16.8	3.38	16.3	3.26	15.7	3.13	14.6	2.88	
15.0	13.7	19.0	3.69	17.9	3.44	16.8	3.19	16.3	3.07	15.7	2.95	14.6	2.72	
18.0	16.8	19.0	3.49	17.9	3.26	16.8	3.03	16.3	2.91	15.7	2.79	14.6	2.58	
20.0	18.5	19.0	3.31	17.9	3.11	16.8	2.90	16.3	2.77	15.7	2.66	14.6	2.45	
24.0	20.5	19.0	3.15	17.9	2.98	16.8	2.79	16.3	2.66	15.7	2.56	14.6	2.35	

Dc Inverter Multi VRF System Technical Sales Guide

Combination	Outdoor air temp		Indoor air temp °C DB											
			16		18		20		21		22		24	
	°C DB	°C WB	TC	PI	TC	PI	TC	PI	TC	PI	TC	PI	TC	PI
110%	-19.8	-20.0	9.0	2.75	8.9	2.89	8.9	3.03	8.9	3.10	8.9	3.16	8.8	3.30
	-18.8	-19.0	9.1	2.79	9.1	2.93	9.1	3.07	9.1	3.13	9.0	3.20	9.0	3.34
	-16.7	-17.0	9.5	2.89	9.4	3.02	9.4	3.15	9.4	3.21	9.4	3.28	9.3	3.41
	-13.7	-15.0	9.9	2.99	9.8	3.11	9.8	3.24	9.8	3.30	9.8	3.36	9.7	3.49
	-11.8	-13.0	10.3	3.09	10.3	3.21	10.2	3.33	10.2	3.38	10.2	3.44	10.2	3.57
	-9.8	-11.0	10.8	3.19	10.7	3.30	10.7	3.41	10.7	3.47	10.7	3.53	10.7	3.64
	-9.5	-10.0	11.0	3.24	11.0	3.35	10.9	3.46	10.9	3.52	10.9	3.57	10.9	3.68
	-8.5	-9.1	11.2	3.28	11.2	3.39	11.2	3.50	11.2	3.55	11.2	3.61	11.2	3.72
	-7.0	-7.6	11.6	3.35	11.6	3.46	11.6	3.56	11.6	3.62	11.7	3.67	11.6	3.78
	-5.0	-5.6	12.3	3.45	12.2	3.55	12.2	3.65	12.2	3.70	12.8	3.75	12.1	3.85
	-3.0	-3.7	12.8	3.54	12.8	3.63	12.8	3.73	12.8	3.78	13.8	3.82	12.8	3.92
	0.0	-0.7	13.9	3.67	13.9	3.76	13.8	3.85	13.8	3.89	14.4	3.94	13.4	3.86
	3.0	2.2	15.0	3.79	14.9	3.87	14.9	3.95	14.9	3.99	14.4	3.83	13.4	3.51
	5.0	4.1	15.7	3.86	15.7	3.95	15.4	3.91	14.9	3.75	14.4	3.60	13.4	3.30
	7.0	6.0	16.5	3.94	16.4	3.96	15.4	3.67	14.9	3.52	14.4	3.38	13.4	3.11
	9.0	7.9	17.4	4.00	16.4	3.72	15.4	3.45	14.9	3.32	14.4	3.19	13.4	2.93
	11.0	9.8	17.4	3.76	16.4	3.50	15.4	3.25	14.9	3.13	14.4	3.00	13.4	2.76
	13.0	11.8	17.4	3.53	16.4	3.29	15.4	3.05	14.9	2.94	14.4	2.82	13.4	2.60
15.0	13.7	17.4	3.33	16.4	3.10	15.4	2.88	14.9	2.77	14.4	2.67	13.4	2.46	
18.0	16.8	17.4	3.15	16.4	2.94	15.4	2.63	14.9	2.63	14.4	2.54	13.4	2.34	
20.0	18.5	17.4	2.99	16.4	2.79	15.4	2.49	14.9	2.50	14.4	2.44	13.4	2.24	
24.0	20.5	17.4	2.85	16.4	2.67	15.4	2.37	14.9	2.40	14.4	2.35	13.4	2.16	

Combination	Outdoor air temp		Indoor air temp °C DB											
			16		18		20		21		22		24	
	°C DB	°C WB	TC	PI	TC	PI	TC	PI	TC	PI	TC	PI	TC	PI
100%	-19.8	-20.0	8.9	2.97	8.9	3.10	8.9	3.22	8.8	3.29	8.8	3.35	8.8	3.47
	-18.8	-19.0	9.1	3.01	9.1	3.13	9.0	3.26	9.0	3.32	9.0	3.38	9.0	3.51
	-16.7	-17.0	9.4	3.10	9.4	3.21	9.4	3.33	9.4	3.39	9.3	3.45	9.3	3.57
	-13.7	-15.0	9.8	3.19	9.8	3.30	9.8	3.41	9.7	3.47	9.7	3.53	9.7	3.64
	-11.8	-13.0	10.2	3.28	10.2	3.38	10.2	3.50	10.2	3.55	10.2	3.48	10.1	3.72
	-9.8	-11.0	10.7	3.37	10.7	3.47	10.7	3.58	10.7	3.63	10.6	3.68	10.6	3.78
	-9.5	-10.0	11.0	3.41	10.9	3.52	10.9	3.62	10.9	3.67	10.9	3.72	10.8	3.82
	-8.5	-9.1	11.2	3.45	11.2	3.55	11.2	3.65	11.2	3.70	11.1	3.75	11.1	3.85
	-7.0	-7.6	11.6	3.52	11.6	3.62	11.6	3.71	11.6	3.76	11.6	3.81	11.5	3.91
	-5.0	-5.6	12.2	3.61	12.2	3.70	12.2	3.79	12.1	3.84	12.1	3.88	12.1	3.97
	-3.0	-3.7	12.8	3.69	12.8	3.78	12.8	3.86	12.8	3.91	12.8	3.95	12.2	3.78
	0.0	-0.7	13.8	3.81	13.8	3.89	13.8	3.97	13.6	3.91	13.1	3.75	12.2	3.44
	3.0	2.2	14.9	3.92	14.9	3.99	14.0	3.69	13.6	3.55	13.1	3.41	12.2	3.13
	5.0	4.1	15.7	3.99	14.9	3.75	14.0	3.47	13.6	3.34	13.1	3.21	12.2	2.95
	7.0	6.0	15.8	3.79	14.9	3.52	14.0	3.27	13.6	3.15	13.1	3.02	12.2	2.78
	9.0	7.9	15.8	3.56	14.9	3.32	14.0	3.08	13.6	2.96	13.1	2.85	12.2	2.62
	11.0	9.8	15.8	3.35	14.9	3.13	14.0	2.90	13.6	2.79	13.1	2.69	12.2	2.48
13.0	11.8	15.8	3.15	14.9	2.94	14.0	2.73	13.6	2.63	13.1	2.54	12.2	2.34	
15.0	13.7	15.8	2.97	14.9	2.77	14.0	2.58	13.6	2.49	13.1	2.40	12.2	2.22	
18.0	16.8	15.8	2.80	14.9	2.65	14.0	2.50	13.6	2.36	13.1	2.27	12.2	2.11	
20.0	18.5	15.8	2.64	14.9	2.54	14.0	2.40	13.6	2.26	13.1	2.16	12.2	2.03	
24.0	20.5	15.8	2.50	14.9	2.45	14.0	2.30	13.6	2.17	13.1	2.08	12.2	1.96	

Dc Inverter Multi VRF System Technical Sales Guide

Combination	Outdoor air temp		Indoor air temp °C DB											
			16		18		20		21		22		24	
	°C DB	°C WB	TC	PI	TC	PI	TC	PI	TC	PI	TC	PI	TC	PI
90%	-19.8	-20.0	9.6	3.19	9.5	3.30	9.5	3.42	9.5	3.47	9.5	3.53	9.5	3.64
	-18.8	-19.0	9.7	3.23	9.7	3.34	9.7	3.45	9.7	3.51	9.7	3.56	9.6	3.67
	-16.7	-17.0	10.1	3.31	10.0	3.41	10.0	3.52	10.0	3.58	10.0	3.63	10.0	3.73
	-13.7	-15.0	10.5	3.39	10.4	3.49	10.4	3.59	10.4	3.61	10.4	3.69	10.4	3.80
	-11.8	-13.0	10.9	3.47	10.9	3.57	10.8	3.66	10.8	3.72	10.8	3.76	10.8	3.86
	-9.8	-11.0	11.4	3.55	11.4	3.64	11.3	3.74	11.3	3.79	11.3	3.83	11.3	3.93
	-9.5	-10.0	11.6	3.59	11.6	3.69	11.6	3.78	11.5	3.82	11.5	3.87	11.5	3.96
	-8.5	-9.1	11.9	3.63	11.9	3.72	11.8	3.81	11.8	3.85	11.8	3.90	11.7	3.94
	-7.0	-7.6	12.3	3.69	12.3	3.78	12.2	3.86	12.2	3.91	12.2	3.95	11.7	3.76
	-5.0	-5.6	12.9	3.77	12.8	3.85	12.8	3.93	12.8	3.97	12.5	3.85	11.7	3.53
	-3.0	-3.7	13.5	3.84	13.5	3.50	13.3	3.94	12.9	3.78	12.5	3.63	11.7	3.33
	0.0	-0.7	14.5	3.95	14.1	3.43	13.3	3.57	12.9	3.43	12.5	3.30	11.7	3.03
	3.0	2.2	14.9	3.77	14.1	3.51	13.3	3.25	12.9	3.13	12.5	3.01	11.7	2.77
	5.0	4.1	14.9	3.54	14.1	3.30	13.3	3.07	12.9	2.95	12.5	2.84	11.7	2.61
	7.0	6.0	14.9	3.33	14.1	3.11	13.3	2.89	12.9	2.78	12.5	2.68	11.7	2.47
	9.0	7.9	14.9	3.14	14.1	2.93	13.3	2.72	12.9	2.62	12.5	2.53	11.7	2.33
	11.0	9.8	14.9	2.96	14.1	2.76	13.3	2.57	12.9	2.48	12.5	2.39	11.7	2.21
	13.0	11.8	14.9	2.78	14.1	2.60	13.3	2.42	12.9	2.34	12.5	2.26	11.7	2.09
	15.0	13.7	14.9	2.63	14.1	2.46	13.3	2.30	12.9	2.21	12.5	2.14	11.7	1.98
	18.0	16.8	14.9	2.48	14.1	2.32	13.3	2.18	12.9	2.09	12.5	2.03	11.7	1.88
20.0	18.5	14.9	2.35	14.1	2.20	13.3	2.07	12.9	1.97	12.5	1.92	11.7	1.80	
24.0	20.5	14.9	2.22	14.1	2.07	13.3	1.96	12.9	1.86	12.5	1.83	11.7	1.72	

Combination	Outdoor air temp		Indoor air temp °C DB											
			16		18		20		21		22		24	
	°C DB	°C WB	TC	PI	TC	PI	TC	PI	TC	PI	TC	PI	TC	PI
80%	-19.8	-20.0	9.5	3.41	9.5	3.51	9.5	3.61	9.5	3.66	9.5	3.72	9.5	3.81
	-18.8	-19.0	9.7	3.44	9.7	3.55	9.6	3.64	9.6	3.69	9.6	3.74	9.6	3.84
	-16.7	-17.0	10.0	3.52	10.0	3.61	10.0	3.71	10.0	3.75	10.0	3.80	9.9	3.89
	-13.7	-15.0	10.4	3.59	10.4	3.68	10.4	3.77	10.4	3.81	10.3	3.86	10.3	3.95
	-11.8	-13.0	10.8	3.66	10.8	3.75	10.8	3.83	10.8	3.88	10.8	3.92	10.5	3.82
	-9.8	-11.0	11.3	3.73	11.3	3.82	11.3	3.90	11.3	3.94	11.2	3.93	10.5	3.61
	-9.5	-10.0	11.6	3.77	11.5	3.85	11.5	3.93	11.5	3.97	11.2	3.82	10.5	3.50
	-8.5	-9.1	11.8	3.81	11.8	3.89	11.8	3.96	11.5	3.88	11.2	3.72	10.5	3.41
	-7.0	-7.6	12.2	3.86	12.2	3.94	11.9	3.85	11.5	3.70	11.2	3.55	10.5	3.27
	-5.0	-5.6	12.8	3.50	12.6	3.91	11.9	3.62	11.5	3.48	11.2	3.34	10.5	3.07
	-3.0	-3.7	13.3	3.52	12.6	3.68	11.9	3.41	11.5	3.29	11.2	3.15	10.5	2.90
	0.0	-0.7	13.3	3.58	12.6	3.34	11.9	3.10	11.5	2.99	11.2	2.87	10.5	2.64
	3.0	2.2	13.3	3.27	12.6	3.04	11.9	2.83	11.5	2.73	11.2	2.62	10.5	2.42
	5.0	4.1	13.3	3.07	12.6	2.87	11.9	2.67	11.5	2.57	11.2	2.48	10.5	2.29
	7.0	6.0	13.3	2.90	12.6	2.71	11.9	2.52	11.5	2.43	11.2	2.34	10.5	2.17
	9.0	7.9	13.3	2.73	12.6	2.56	11.9	2.40	11.5	2.30	11.2	2.22	10.5	2.05
	11.0	9.8	13.3	2.58	12.6	2.42	11.9	2.26	11.5	2.17	11.2	2.10	10.5	1.95
13.0	11.8	13.3	2.43	12.6	2.28	11.9	2.13	11.5	2.06	11.2	1.98	10.5	1.84	
15.0	13.7	13.3	2.30	12.6	2.16	11.9	2.02	11.5	1.95	11.2	1.88	10.5	1.75	
18.0	16.8	13.3	2.20	12.6	2.06	11.9	1.92	11.5	1.85	11.2	1.78	10.5	1.67	
20.0	18.5	13.3	2.11	12.6	1.97	11.9	1.84	11.5	1.77	11.2	1.70	10.5	1.59	
24.0	20.5	13.3	2.05	12.6	1.91	11.9	1.76	11.5	1.69	11.2	1.62	10.5	1.52	

Dc Inverter Multi VRF System Technical Sales Guide

Combination	Outdoor air temp		Indoor air temp °C DB											
			16		18		20		21		22		24	
	°C DB	°C WB	TC	PI	TC	PI	TC	PI	TC	PI	TC	PI	TC	PI
70%	-19.8	-20.0	9.5	3.64	9.5	3.72	9.5	3.81	9.5	3.85	9.5	3.90	9.2	3.86
	-18.8	-19.0	9.6	3.66	9.6	3.75	9.6	3.83	9.6	3.88	9.6	3.92	9.2	3.78
	-16.7	-17.0	10.0	3.72	10.0	3.81	9.9	3.89	9.9	3.93	9.9	3.93	9.2	3.60
	-13.7	-15.0	10.4	3.79	10.3	3.87	10.3	3.95	10.2	3.79	9.9	3.73	9.2	3.42
	-11.8	-13.0	10.8	3.85	10.8	3.93	10.5	3.83	10.2	3.69	9.9	3.54	9.2	3.24
	-9.8	-11.0	11.3	3.92	11.1	3.91	10.5	3.62	10.2	3.48	9.9	3.34	9.2	3.07
	-9.5	-10.0	11.5	3.95	11.1	3.80	10.5	3.52	10.2	3.38	9.9	3.25	9.2	2.99
	-8.5	-9.1	11.8	3.97	11.1	3.69	10.5	3.42	10.2	3.29	9.9	3.16	9.2	2.91
	-7.0	-7.6	11.8	3.79	11.1	3.53	10.5	3.27	10.2	3.15	9.9	3.03	9.2	2.79
	-5.0	-5.6	11.8	3.56	11.1	3.32	10.5	3.08	10.2	2.96	9.9	2.85	9.2	2.63
	-3.0	-3.7	11.8	3.35	11.1	3.13	10.5	2.91	10.2	2.80	9.9	2.69	9.2	2.48
	0.0	-0.7	11.8	3.05	11.1	2.87	10.5	2.65	10.2	2.56	9.9	2.46	9.2	2.28
	3.0	2.2	11.8	2.79	11.1	0.06	10.5	2.43	10.2	2.34	9.9	2.26	9.2	2.09
	5.0	4.1	11.8	2.63	11.1	2.46	10.5	2.30	10.2	2.22	9.9	2.14	9.2	1.98
	7.0	6.0	11.8	2.49	11.1	2.33	10.5	2.17	10.2	2.10	9.9	2.03	9.2	1.88
	9.0	7.9	11.8	2.35	11.1	2.20	10.5	2.06	10.2	1.99	9.9	1.92	9.2	1.78
	11.0	9.8	11.8	2.23	11.1	2.09	10.5	1.95	10.2	1.89	9.9	1.82	9.2	1.69
	13.0	11.8	11.8	2.10	11.1	1.97	10.5	1.85	10.2	1.79	9.9	1.72	9.2	1.61
	15.0	13.7	11.8	1.99	11.1	1.87	10.5	1.75	10.2	1.70	9.9	1.64	9.2	1.53
	18.0	16.8	11.8	1.89	11.1	1.78	10.5	1.67	10.2	1.62	9.9	1.56	9.2	1.46
20.0	18.5	11.8	1.80	11.1	1.69	10.5	1.59	10.2	1.55	9.9	1.49	9.2	1.40	
24.0	20.5	11.8	1.72	11.1	1.62	10.5	1.53	10.2	1.48	9.9	1.44	9.2	1.35	

Combination	Outdoor air temp		Indoor air temp °C DB											
			16		18		20		21		22		24	
	°C DB	°C WB	TC	PI	TC	PI	TC	PI	TC	PI	TC	PI	TC	PI
60%	-19.8	-20.0	9.5	3.86	9.4	3.93	9.1	3.78	8.8	3.63	8.6	3.49	8.0	3.20
	-18.8	-19.0	9.6	3.88	9.6	3.95	9.1	3.70	8.8	3.55	8.6	3.41	8.0	3.13
	-16.7	-17.0	9.9	3.93	9.6	3.81	9.1	3.53	8.8	3.39	8.6	3.26	8.0	2.99
	-13.7	-15.0	10.2	3.89	9.6	3.62	9.1	3.35	8.8	3.23	8.6	3.10	8.0	2.85
	-11.8	-13.0	10.2	3.68	9.6	3.43	9.1	3.18	8.8	3.06	8.6	2.94	8.0	2.71
	-9.8	-11.0	10.2	3.48	9.6	3.24	9.1	3.01	8.8	2.90	8.6	2.79	8.0	2.57
	-9.5	-10.0	10.2	3.38	9.6	3.15	9.1	2.93	8.8	2.82	8.6	2.71	8.0	2.50
	-8.5	-9.1	10.2	3.29	9.6	3.07	9.1	2.85	8.8	2.75	8.6	2.64	8.0	2.44
	-7.0	-7.6	10.2	3.15	9.6	2.94	9.1	2.73	8.8	2.63	8.6	2.53	8.0	2.34
	-5.0	-5.6	10.2	2.96	9.6	2.77	9.1	2.58	8.8	2.48	8.6	2.39	8.0	2.21
	-3.0	-3.7	10.2	2.80	9.6	2.62	9.1	2.45	8.8	2.35	8.6	2.26	8.0	2.09
	0.0	-0.7	10.2	2.56	9.6	2.40	9.1	2.23	8.8	2.16	8.6	2.08	8.0	1.92
	3.0	2.2	10.2	2.34	9.6	2.20	9.1	2.06	8.8	1.98	8.6	1.92	8.0	0.08
	5.0	4.1	10.2	2.22	9.6	2.08	9.1	1.95	8.8	1.88	8.6	1.81	8.0	1.69
	7.0	6.0	10.2	2.10	9.6	1.97	9.1	1.84	8.8	1.78	8.6	1.72	8.0	1.60
	9.0	7.9	10.2	1.99	9.6	1.87	9.1	1.75	8.8	1.69	8.6	1.64	8.0	1.52
	11.0	9.8	10.2	1.89	9.6	1.78	9.1	1.66	8.8	1.61	8.6	1.55	8.0	1.45
13.0	11.8	10.2	1.78	9.6	1.68	9.1	1.58	8.8	1.53	8.6	1.48	8.0	1.38	
15.0	13.7	10.2	1.70	9.6	1.60	9.1	1.50	8.8	1.46	8.6	1.41	8.0	1.32	
18.0	16.8	10.2	1.62	9.6	1.52	9.1	1.44	8.8	1.39	8.6	1.35	8.0	1.26	
20.0	18.5	10.2	1.55	9.6	1.45	9.1	1.38	8.8	1.34	8.6	1.30	8.0	1.21	
24.0	20.5	10.2	1.49	9.6	1.39	9.1	1.32	8.8	1.29	8.6	1.26	8.0	1.17	

Dc Inverter Multi VRF System Technical Sales Guide

Combination	Outdoor air temp		Indoor air temp °C DB											
			16		18		20		21		22		24	
	°C DB	°C WB	TC	PI	TC	PI	TC	PI	TC	PI	TC	PI	TC	PI
50%	-19.8	-20.0	8.6	3.51	8.2	3.27	7.7	3.03	7.5	2.92	7.2	2.81	6.8	2.59
	-18.8	-19.0	8.6	3.43	8.2	3.20	7.7	2.97	7.5	2.86	7.2	2.75	6.8	2.54
	-16.7	-17.0	8.6	3.27	8.2	3.05	7.7	2.84	7.5	2.73	7.2	2.63	6.8	2.43
	-13.7	-15.0	8.6	3.12	8.2	2.91	7.7	2.71	7.5	2.61	7.2	2.51	6.8	2.32
	-11.8	-13.0	8.6	2.96	8.2	2.77	7.7	2.57	7.5	2.48	7.2	2.39	6.8	2.21
	-9.8	-11.0	8.6	2.80	8.2	2.62	7.7	2.44	7.5	2.35	7.2	2.27	6.8	2.10
	-9.5	-10.0	8.6	2.73	8.2	2.55	7.7	2.38	7.5	2.29	7.2	2.21	6.8	2.04
	-8.5	-9.1	8.6	2.66	8.2	2.49	7.7	2.32	7.5	2.24	7.2	2.16	6.8	2.00
	-7.0	-7.6	8.6	2.55	8.2	2.40	7.7	2.23	7.5	2.15	7.2	2.07	6.8	1.92
	-5.0	-5.6	8.6	2.40	8.2	2.26	7.7	2.11	7.5	2.03	7.2	1.96	6.8	1.82
	-3.0	-3.7	8.6	2.28	8.2	2.14	7.7	2.00	7.5	1.93	7.2	1.86	6.8	1.73
	0.0	-0.7	8.6	2.09	8.2	1.96	7.7	1.84	7.5	1.78	7.2	1.72	6.8	1.60
	3.0	2.2	8.6	1.92	8.2	1.81	7.7	1.69	7.5	1.64	7.2	1.59	6.8	1.48
	5.0	4.1	8.6	1.83	8.2	1.72	7.7	1.61	7.5	1.56	7.2	1.51	6.8	1.41
	7.0	6.0	8.6	1.73	8.2	1.63	7.7	1.53	7.5	1.48	7.2	1.44	6.8	1.34
	9.0	7.9	8.6	1.64	8.2	1.55	7.7	1.46	7.5	1.41	7.2	1.37	6.8	1.28
	11.0	9.8	8.6	1.56	8.2	1.47	7.7	1.39	7.5	1.35	7.2	1.30	6.8	1.22
	13.0	11.8	8.6	1.49	8.2	1.40	7.7	1.32	7.5	1.28	7.2	1.24	6.8	1.16
15.0	13.7	8.6	1.41	8.2	1.34	7.7	1.26	7.5	1.22	7.2	1.18	6.8	1.11	
18.0	16.8	8.6	1.35	8.2	1.28	7.7	1.21	7.5	1.17	7.2	1.13	6.8	1.06	
20.0	18.5	8.6	1.28	8.2	1.22	7.7	1.16	7.5	1.13	7.2	1.09	6.8	1.01	
24.0	20.5	8.6	1.22	8.2	1.17	7.7	1.08	7.5	1.09	7.2	1.04	6.8	0.97	

GMV-140WL/C-T, GMV-140WL/C-X

TC—Total capacity of outdoor unit; PI—Power input of outdoor unit

Combination	Outdoor air temp		Indoor air temp °C DB											
			16		18		20		21		22		24	
	°C DB	°C WB	TC kW	PI kW	TC kW	PI kW	TC kW	PI kW	TC kW	PI kW	TC kW	PI kW	TC kW	PI kW
135%	-19.8	-20.0	10.7	2.79	10.6	2.99	10.6	3.19	10.6	3.28	10.5	3.38	10.5	3.58
	-18.8	-19.0	10.8	2.85	10.8	3.05	10.8	3.24	10.7	3.34	10.7	3.43	10.7	3.63
	-16.7	-17.0	11.3	2.99	11.2	3.17	11.2	3.36	11.2	3.44	11.2	3.54	11.1	3.73
	-13.7	-15.0	11.7	3.12	11.7	3.30	11.6	3.48	11.6	3.57	11.6	3.66	11.6	3.84
	-11.8	-13.0	12.2	3.26	12.2	3.44	12.2	3.61	12.1	3.69	12.1	3.78	12.0	3.95
	-9.8	-11.0	12.8	3.41	12.7	3.57	12.7	3.73	12.7	3.82	12.7	3.90	12.6	4.06
	-9.5	-10.0	13.1	3.48	13.0	3.64	13.0	3.80	13.0	3.88	12.9	3.96	12.9	4.11
	-8.5	-9.1	13.4	3.54	13.3	3.69	13.3	3.85	13.3	3.93	13.3	4.01	13.2	4.17
	-7.0	-7.6	13.8	3.64	13.8	3.80	13.8	3.94	13.8	4.02	13.7	4.09	13.7	4.25
	-5.0	-5.6	14.6	3.78	14.5	3.85	14.5	4.07	14.5	4.14	14.4	4.21	14.4	4.35
	-3.0	-3.7	15.2	3.90	15.2	4.04	15.2	4.18	15.1	4.25	15.1	4.31	15.1	4.45
	0.0	-0.7	16.4	4.09	16.4	4.22	16.4	4.35	16.4	4.41	16.3	4.47	16.3	4.60
	3.0	2.2	17.8	4.26	17.7	4.38	17.7	4.50	17.7	4.56	17.7	4.62	17.6	4.73
	5.0	4.1	18.6	4.37	18.6	4.48	18.6	4.59	18.5	4.65	18.5	4.70	18.5	4.81
	7.0	6.0	19.6	4.47	19.5	4.58	19.5	4.68	19.5	4.72	19.5	4.79	18.7	4.60
	9.0	7.9	20.6	4.57	20.5	4.67	20.5	4.77	20.5	4.82	20.1	4.72	18.7	4.32
	11.0	9.8	21.6	4.66	21.6	4.75	21.5	4.81	20.7	4.62	20.1	4.43	18.7	4.07
	13.0	11.8	22.8	4.75	22.7	4.84	21.5	4.51	20.7	4.33	20.1	4.16	18.7	3.82
15.0	13.7	23.9	4.83	22.8	4.58	21.5	4.25	20.7	4.08	20.1	3.92	18.7	3.60	
18.0	16.8	23.9	4.57	22.8	4.36	21.5	4.03	20.7	3.88	20.1	3.70	18.7	3.42	
20.0	18.5	23.9	4.35	22.8	4.17	21.5	3.84	20.7	3.70	20.1	3.52	18.7	3.27	
24.0	20.5	23.9	4.16	22.8	4.01	21.5	3.69	20.7	3.56	20.1	3.36	18.7	3.15	

Dc Inverter Multi VRF System Technical Sales Guide

Combination	Outdoor air temp		Indoor air temp °C DB											
			16		18		20		21		22		24	
	°C DB	°C WB	TC	PI	TC	PI	TC	PI	TC	PI	TC	PI	TC	PI
120%	-19.8	-20.0	10.6	3.06	10.6	3.24	10.5	3.42	10.5	3.51	10.5	3.60	10.5	3.79
	-18.8	-19.0	10.8	3.11	10.7	3.29	10.7	3.44	10.7	3.56	10.7	3.65	10.6	3.83
	-16.7	-17.0	11.2	3.24	11.2	3.41	11.2	3.58	11.1	3.67	11.1	3.76	11.1	3.92
	-13.7	-15.0	11.7	3.37	11.6	3.53	11.6	3.69	11.6	3.78	11.6	3.86	11.5	4.03
	-11.8	-13.0	12.2	3.49	12.2	3.65	12.1	3.81	12.1	3.89	12.0	3.97	12.0	4.13
	-9.8	-11.0	12.7	3.63	12.7	3.78	12.7	3.93	12.6	4.01	12.6	4.08	12.6	4.24
	-9.5	-10.0	13.0	3.69	13.0	3.84	12.9	3.99	12.9	4.06	12.9	4.10	12.9	4.28
	-8.5	-9.1	13.3	3.75	13.3	3.89	13.3	4.04	13.2	4.11	13.2	4.19	13.1	4.33
	-7.0	-7.6	13.8	3.85	13.8	3.99	13.7	4.12	13.7	4.20	13.7	4.26	13.7	4.40
	-5.0	-5.6	14.5	3.97	14.5	4.10	14.4	4.24	14.4	4.30	14.4	4.37	14.4	4.50
	-3.0	-3.7	15.2	4.09	15.2	4.22	15.1	4.34	15.1	4.40	15.1	4.47	15.1	4.59
	0.0	-0.7	16.4	4.26	16.4	4.38	16.3	4.55	16.3	4.56	16.3	4.61	16.3	4.73
	3.0	2.2	17.7	4.42	17.7	4.53	17.7	4.64	17.6	4.69	17.6	4.75	17.2	4.72
	5.0	4.1	18.6	4.52	18.5	4.62	18.5	4.72	18.5	4.78	18.5	4.83	17.2	4.43
	7.0	6.0	19.5	4.61	19.5	4.71	19.5	4.81	19.2	4.74	18.5	4.55	17.2	4.17
	9.0	7.9	20.5	4.70	20.5	4.80	19.8	4.64	19.2	4.45	18.5	4.27	17.2	3.92
	11.0	9.8	21.6	4.79	21.1	4.70	19.8	4.36	19.2	4.19	18.5	4.02	17.2	3.70
	13.0	11.8	22.4	4.74	21.1	4.41	19.8	4.09	19.2	3.93	18.5	3.78	17.2	3.48
15.0	13.7	22.4	4.46	21.1	4.16	19.8	3.86	19.2	3.71	18.5	3.57	17.2	3.28	
18.0	16.8	22.4	4.22	21.1	3.93	19.8	3.66	19.2	3.51	18.5	3.38	17.2	3.11	
20.0	18.5	22.4	4.00	21.1	3.76	19.8	3.50	19.2	3.35	18.5	3.22	17.2	2.97	
24.0	20.5	22.4	3.80	21.1	3.60	19.8	3.38	19.2	3.21	18.5	3.09	17.2	2.84	

Combination	Outdoor air temp		Indoor air temp °C DB											
			16		18		20		21		22		24	
	°C DB	°C WB	TC	PI	TC	PI	TC	PI	TC	PI	TC	PI	TC	PI
110%	-19.8	-20.0	10.6	3.32	10.5	3.49	10.5	3.66	10.5	3.74	10.5	3.82	10.4	3.99
	-18.8	-19.0	10.7	3.38	10.7	3.54	10.7	3.70	10.7	3.79	10.6	3.87	10.6	4.03
	-16.7	-17.0	11.2	3.49	11.1	3.65	11.1	3.81	11.1	3.88	11.1	3.97	11.0	4.12
	-13.7	-15.0	11.6	3.61	11.6	3.76	11.5	3.91	11.5	3.99	11.5	4.06	11.5	4.21
	-11.8	-13.0	12.1	3.73	12.1	3.87	12.0	4.02	12.0	4.09	12.0	4.16	12.0	4.31
	-9.8	-11.0	12.7	3.85	12.6	3.99	12.6	4.12	12.6	4.20	12.6	4.26	12.6	4.40
	-9.5	-10.0	13.0	3.91	12.9	4.04	12.9	4.18	12.9	4.25	12.9	4.31	12.8	4.45
	-8.5	-9.1	13.3	3.96	13.2	4.09	13.2	4.23	13.2	4.29	13.1	4.36	13.1	4.49
	-7.0	-7.6	13.7	4.05	13.7	4.18	13.7	4.30	13.7	4.37	13.8	4.43	13.6	4.56
	-5.0	-5.6	14.5	4.17	14.4	4.29	14.4	4.41	14.4	4.47	15.0	4.53	14.3	4.65
	-3.0	-3.7	15.1	4.27	15.1	4.39	15.1	4.50	15.1	4.56	16.3	4.62	15.0	4.73
	0.0	-0.7	16.3	4.43	16.3	4.54	16.3	4.65	16.3	4.70	17.0	4.76	15.8	4.66
	3.0	2.2	17.7	4.58	17.6	4.68	17.6	4.78	17.5	4.82	17.0	4.63	15.8	4.24
	5.0	4.1	18.5	4.67	18.5	4.77	18.2	4.72	17.5	4.53	17.0	4.35	15.8	3.99
	7.0	6.0	19.5	4.76	19.3	4.79	18.2	4.43	17.5	4.26	17.0	4.09	15.8	3.76
	9.0	7.9	20.5	4.83	19.3	4.50	18.2	4.17	17.5	4.01	17.0	3.85	15.8	3.54
	11.0	9.8	20.5	4.55	19.3	4.23	18.2	3.92	17.5	3.78	17.0	3.63	15.8	3.34
	13.0	11.8	20.5	4.26	19.3	3.97	18.2	3.69	17.5	3.55	17.0	3.41	15.8	3.14
15.0	13.7	20.5	4.02	19.3	3.74	18.2	3.48	17.5	3.35	17.0	3.23	15.8	2.98	
18.0	16.8	20.5	3.80	19.3	3.55	18.2	3.18	17.5	3.18	17.0	3.07	15.8	2.83	
20.0	18.5	20.5	3.61	19.3	3.38	18.2	3.01	17.5	3.02	17.0	2.94	15.8	2.71	
24.0	20.5	20.5	3.44	19.3	3.22	18.2	2.87	17.5	2.89	17.0	2.84	15.8	2.61	

Dc Inverter Multi VRF System Technical Sales Guide

Combination	Outdoor air temp		Indoor air temp °C DB											
			16		18		20		21		22		24	
	°C DB	°C WB	TC	PI	TC	PI	TC	PI	TC	PI	TC	PI	TC	PI
100%	-19.8	-20.0	10.5	3.59	10.5	3.74	10.5	3.89	10.4	3.97	10.4	4.04	10.4	4.20
	-18.8	-19.0	10.7	3.64	10.7	3.79	10.6	3.93	10.6	4.01	10.6	4.09	10.6	4.24
	-16.7	-17.0	11.1	3.74	11.1	3.88	11.1	4.03	11.1	4.10	11.0	4.17	11.0	4.31
	-13.7	-15.0	11.6	3.85	11.5	3.99	11.5	4.12	11.5	4.20	11.5	4.26	11.4	4.40
	-11.8	-13.0	12.0	3.96	12.0	4.09	12.0	4.22	12.0	4.29	12.0	4.20	11.9	4.49
	-9.8	-11.0	12.6	4.07	12.6	4.20	12.6	4.32	12.6	4.39	12.5	4.45	12.5	4.57
	-9.5	-10.0	12.9	4.12	12.9	4.25	12.9	4.37	12.8	4.43	12.8	4.49	12.8	4.62
	-8.5	-9.1	13.2	4.17	13.2	4.29	13.1	4.41	13.1	4.47	13.1	4.53	13.1	4.65
	-7.0	-7.6	13.7	4.25	13.7	4.37	13.6	4.48	13.6	4.55	13.6	4.60	13.6	4.72
	-5.0	-5.6	14.4	4.36	14.4	4.47	14.4	4.58	14.3	4.64	14.3	4.69	14.3	4.80
	-3.0	-3.7	15.1	4.46	15.1	4.56	15.0	4.67	15.0	4.72	15.0	4.77	14.4	4.57
	0.0	-0.7	16.3	4.61	16.3	4.70	16.2	4.80	16.0	4.72	15.5	4.52	14.4	4.16
	3.0	2.2	17.6	4.73	17.5	4.82	16.5	4.46	16.0	4.29	15.5	4.12	14.4	3.78
	5.0	4.1	18.5	4.82	17.5	4.53	16.5	4.20	16.0	4.04	15.5	3.88	14.4	3.57
	7.0	6.0	18.6	4.58	17.5	4.26	16.5	3.95	16.0	3.80	15.5	3.65	14.4	3.36
	9.0	7.9	18.6	4.30	17.5	4.01	16.5	3.72	16.0	3.58	15.5	3.44	14.4	3.17
	11.0	9.8	18.6	4.05	17.5	3.78	16.5	3.51	16.0	3.38	15.5	3.25	14.4	3.00
	13.0	11.8	18.6	3.80	17.5	3.55	16.5	3.30	16.0	3.18	15.5	3.06	14.4	2.83
15.0	13.7	18.6	3.59	17.5	3.35	16.5	3.12	16.0	3.01	15.5	2.89	14.4	2.68	
18.0	16.8	18.6	3.38	17.5	3.20	16.5	3.02	16.0	2.85	15.5	2.74	14.4	2.55	
20.0	18.5	18.6	3.19	17.5	3.07	16.5	2.89	16.0	2.72	15.5	2.61	14.4	2.45	
24.0	20.5	18.6	3.02	17.5	2.97	16.5	2.78	16.0	2.62	15.5	2.51	14.4	2.37	

Combination	Outdoor air temp		Indoor air temp °C DB											
			16		18		20		21		22		24	
	°C DB	°C WB	TC	PI	TC	PI	TC	PI	TC	PI	TC	PI	TC	PI
90%	-19.8	-20.0	11.3	3.86	11.2	3.99	11.2	4.13	11.2	4.20	11.2	4.27	11.2	4.40
	-18.8	-19.0	11.5	3.90	11.5	4.04	11.4	4.17	11.4	4.24	11.4	4.30	11.4	4.44
	-16.7	-17.0	11.9	4.00	11.8	4.12	11.8	4.25	11.8	4.32	11.8	4.38	11.8	4.51
	-13.7	-15.0	12.3	4.09	12.3	4.22	12.3	4.34	12.2	4.36	12.2	4.46	12.2	4.59
	-11.8	-13.0	12.8	4.19	12.8	4.31	12.8	4.43	12.8	4.49	12.8	4.55	12.7	4.66
	-9.8	-11.0	13.4	4.29	13.4	4.40	13.3	4.51	13.3	4.58	13.3	4.63	13.3	4.75
	-9.5	-10.0	13.7	4.34	13.7	4.45	13.7	4.56	13.6	4.62	13.6	4.67	13.6	4.78
	-8.5	-9.1	14.0	4.39	14.0	4.49	13.9	4.60	13.9	4.65	13.9	4.71	13.8	4.76
	-7.0	-7.6	14.4	4.46	14.4	4.56	14.4	4.67	14.4	4.72	14.4	4.77	13.8	4.54
	-5.0	-5.6	15.2	4.56	15.1	4.65	15.1	4.75	15.1	4.80	14.7	4.65	13.8	4.27
	-3.0	-3.7	15.9	4.64	15.9	4.22	15.7	4.76	15.2	4.57	14.7	4.38	13.8	4.02
	0.0	-0.7	17.1	4.78	16.6	4.14	15.7	4.31	15.2	4.14	14.7	3.98	13.8	3.66
	3.0	2.2	17.6	4.55	16.6	4.24	15.7	3.93	15.2	3.78	14.7	3.63	13.8	3.34
	5.0	4.1	17.6	4.28	16.6	3.99	15.7	3.70	15.2	3.56	14.7	3.43	13.8	3.15
	7.0	6.0	17.6	4.02	16.6	3.76	15.7	3.49	15.2	3.36	14.7	3.23	13.8	2.98
	9.0	7.9	17.6	3.79	16.6	3.53	15.7	3.29	15.2	3.17	14.7	3.05	13.8	2.82
	11.0	9.8	17.6	3.57	16.6	3.33	15.7	3.11	15.2	3.00	14.7	2.88	13.8	2.67
	13.0	11.8	17.6	3.36	16.6	3.14	15.7	2.93	15.2	2.83	14.7	2.72	13.8	2.52
15.0	13.7	17.6	3.18	16.6	2.97	15.7	2.78	15.2	2.67	14.7	2.58	13.8	2.39	
18.0	16.8	17.6	3.00	16.6	2.81	15.7	2.63	15.2	2.52	14.7	2.45	13.8	2.27	
20.0	18.5	17.6	2.84	16.6	2.65	15.7	2.50	15.2	2.38	14.7	2.32	13.8	2.17	
24.0	20.5	17.6	2.68	16.6	2.50	15.7	2.37	15.2	2.24	14.7	2.21	13.8	2.07	

Dc Inverter Multi VRF System Technical Sales Guide

Combination	Outdoor air temp		Indoor air temp °C DB											
			16		18		20		21		22		24	
	°C DB	°C WB	TC	PI	TC	PI	TC	PI	TC	PI	TC	PI	TC	PI
80%	-19.8	-20.0	11.2	4.12	11.2	4.24	11.2	4.37	11.2	4.43	11.1	4.49	11.1	4.61
	-18.8	-19.0	11.4	4.16	11.4	4.28	11.4	4.40	11.4	4.46	11.4	4.52	11.3	4.64
	-16.7	-17.0	11.8	4.25	11.8	4.36	11.8	4.48	11.8	4.53	11.8	4.59	11.7	4.70
	-13.7	-15.0	12.3	4.33	12.2	4.44	12.2	4.56	12.2	4.61	12.2	4.66	12.2	4.78
	-11.8	-13.0	12.8	4.42	12.8	4.53	12.7	4.63	12.7	4.68	12.7	4.74	12.3	4.61
	-9.8	-11.0	13.3	4.51	13.3	4.61	13.3	4.71	13.3	4.76	13.2	4.75	12.3	4.36
	-9.5	-10.0	13.7	4.56	13.6	4.65	13.6	4.75	13.6	4.80	13.2	4.61	12.3	4.23
	-8.5	-9.1	13.9	4.60	13.9	4.69	13.9	4.79	13.6	4.68	13.2	4.49	12.3	4.11
	-7.0	-7.6	14.4	4.66	14.4	4.76	14.0	4.65	13.6	4.47	13.2	4.29	12.3	3.95
	-5.0	-5.6	15.1	4.23	14.9	4.72	14.0	4.37	13.6	4.20	13.2	4.03	12.3	3.70
	-3.0	-3.7	15.7	4.26	14.9	4.44	14.0	4.11	13.6	3.98	13.2	3.80	12.3	3.50
	0.0	-0.7	15.7	4.33	14.9	4.03	14.0	3.74	13.6	3.61	13.2	3.46	12.3	3.19
	3.0	2.2	15.7	3.94	14.9	3.68	14.0	3.42	13.6	3.29	13.2	3.17	12.3	2.92
	5.0	4.1	15.7	3.71	14.9	3.47	14.0	3.23	13.6	3.11	13.2	3.00	12.3	2.77
	7.0	6.0	15.7	3.50	14.9	3.28	14.0	3.05	13.6	2.94	13.2	2.83	12.3	2.62
	9.0	7.9	15.7	3.30	14.9	3.09	14.0	2.89	13.6	2.78	13.2	2.68	12.3	2.48
	11.0	9.8	15.7	3.12	14.9	2.92	14.0	2.72	13.6	2.63	13.2	2.53	12.3	2.35
	13.0	11.8	15.7	2.94	14.9	2.75	14.0	2.58	13.6	2.48	13.2	2.40	12.3	2.22
15.0	13.7	15.7	2.78	14.9	2.61	14.0	2.44	13.6	2.35	13.2	2.27	12.3	2.11	
18.0	16.8	15.7	2.65	14.9	2.48	14.0	2.32	13.6	2.24	13.2	2.15	12.3	2.02	
20.0	18.5	15.7	2.55	14.9	2.38	14.0	2.22	13.6	2.13	13.2	2.05	12.3	1.92	
24.0	20.5	15.7	2.47	14.9	2.30	14.0	2.13	13.6	2.04	13.2	1.96	12.3	1.84	

Combination	Outdoor air temp		Indoor air temp °C DB											
			16		18		20		21		22		24	
	°C DB	°C WB	TC	PI	TC	PI	TC	PI	TC	PI	TC	PI	TC	PI
70%	-19.8	-20.0	11.2	4.39	11.1	4.49	11.1	4.60	11.1	4.65	11.1	4.71	10.9	4.66
	-18.8	-19.0	11.4	4.43	11.4	4.53	11.3	4.63	11.3	4.68	11.3	4.74	10.9	4.56
	-16.7	-17.0	11.8	4.50	11.8	4.60	11.7	4.70	11.7	4.75	11.6	4.75	10.9	4.35
	-13.7	-15.0	12.2	4.58	12.2	4.67	12.2	4.77	12.0	4.57	11.6	4.51	10.9	4.13
	-11.8	-13.0	12.7	4.65	12.7	4.75	12.4	4.63	12.0	4.45	11.6	4.27	10.9	3.92
	-9.8	-11.0	13.3	4.73	13.1	4.72	12.4	4.38	12.0	4.21	11.6	4.04	10.9	3.71
	-9.5	-10.0	13.6	4.77	13.1	4.59	12.4	4.25	12.0	4.08	11.6	3.92	10.9	3.61
	-8.5	-9.1	13.9	4.80	13.1	4.46	12.4	4.13	12.0	3.98	11.6	3.82	10.9	3.51
	-7.0	-7.6	13.9	4.58	13.1	4.26	12.4	3.96	12.0	3.81	11.6	3.66	10.9	3.37
	-5.0	-5.6	13.9	4.30	13.1	4.01	12.4	3.72	12.0	3.58	11.6	3.44	10.9	3.18
	-3.0	-3.7	13.9	4.05	13.1	3.78	12.4	3.51	12.0	3.38	11.6	3.25	10.9	3.00
	0.0	-0.7	13.9	3.69	13.1	3.46	12.4	3.21	12.0	3.09	11.6	2.98	10.9	2.75
	3.0	2.2	13.9	3.37	13.1	0.08	12.4	2.94	12.0	2.83	11.6	2.73	10.9	2.52
	5.0	4.1	13.9	3.18	13.1	2.98	12.4	2.78	12.0	2.68	11.6	2.59	10.9	2.39
	7.0	6.0	13.9	3.01	13.1	2.82	12.4	2.63	12.0	2.53	11.6	2.45	10.9	2.27
	9.0	7.9	13.9	2.84	13.1	2.66	12.4	2.49	12.0	2.40	11.6	2.32	10.9	2.15
	11.0	9.8	13.9	2.69	13.1	2.52	12.4	2.36	12.0	2.28	11.6	2.20	10.9	2.04
	13.0	11.8	13.9	2.54	13.1	2.39	12.4	2.23	12.0	2.16	11.6	2.08	10.9	1.94
15.0	13.7	13.9	2.41	13.1	2.26	12.4	2.12	12.0	2.05	11.6	1.98	10.9	1.85	
18.0	16.8	13.9	2.28	13.1	2.15	12.4	2.02	12.0	1.95	11.6	1.89	10.9	1.76	
20.0	18.5	13.9	2.18	13.1	2.05	12.4	1.92	12.0	1.87	11.6	1.81	10.9	1.69	
24.0	20.5	13.9	2.08	13.1	1.95	12.4	1.85	12.0	1.79	11.6	1.74	10.9	1.63	

Dc Inverter Multi VRF System Technical Sales Guide

Combination	Outdoor air temp		Indoor air temp °C DB											
			16		18		20		21		22		24	
	°C DB	°C WB	TC	PI	TC	PI	TC	PI	TC	PI	TC	PI	TC	PI
60%	-19.8	-20.0	11.1	4.66	11.1	4.75	10.7	4.57	10.4	4.39	10.1	4.21	9.5	3.86
	-18.8	-19.0	11.3	4.69	11.3	4.78	10.7	4.47	10.4	4.29	10.1	4.12	9.5	3.78
	-16.7	-17.0	11.7	4.75	11.4	4.60	10.7	4.26	10.4	4.10	10.1	3.93	9.5	3.62
	-13.7	-15.0	12.0	4.70	11.4	4.37	10.7	4.05	10.4	3.90	10.1	3.74	9.5	3.44
	-11.8	-13.0	12.0	4.45	11.4	4.14	10.7	3.84	10.4	3.70	10.1	3.56	9.5	3.27
	-9.8	-11.0	12.0	4.20	11.4	3.91	10.7	3.64	10.4	3.50	10.1	3.37	9.5	3.10
	-9.5	-10.0	12.0	4.08	11.4	3.81	10.7	3.53	10.4	3.41	10.1	3.27	9.5	3.02
	-8.5	-9.1	12.0	3.98	11.4	3.71	10.7	3.45	10.4	3.32	10.1	3.19	9.5	2.94
	-7.0	-7.6	12.0	3.80	11.4	3.55	10.7	3.30	10.4	3.18	10.1	3.06	9.5	2.83
	-5.0	-5.6	12.0	3.58	11.4	3.34	10.7	3.11	10.4	3.00	10.1	2.89	9.5	2.67
	-3.0	-3.7	12.0	3.38	11.4	3.16	10.7	2.95	10.4	2.84	10.1	2.73	9.5	2.53
	0.0	-0.7	12.0	3.09	11.4	2.89	10.7	2.70	10.4	2.61	10.1	2.51	9.5	2.32
	3.0	2.2	12.0	2.83	11.4	2.66	10.7	2.48	10.4	2.40	10.1	2.31	9.5	0.09
	5.0	4.1	12.0	2.68	11.4	2.51	10.7	2.35	10.4	2.27	10.1	2.19	9.5	2.04
	7.0	6.0	12.0	2.53	11.4	2.38	10.7	2.23	10.4	2.15	10.1	2.08	9.5	1.93
	9.0	7.9	12.0	2.40	11.4	2.26	10.7	2.11	10.4	2.05	10.1	1.98	9.5	1.84
	11.0	9.8	12.0	2.28	11.4	2.14	10.7	2.01	10.4	1.94	10.1	1.88	9.5	1.75
13.0	11.8	12.0	2.15	11.4	2.03	10.7	1.91	10.4	1.85	10.1	1.79	9.5	1.67	
15.0	13.7	12.0	2.05	11.4	1.93	10.7	1.82	10.4	1.76	10.1	1.70	9.5	1.59	
18.0	16.8	12.0	1.96	11.4	1.84	10.7	1.73	10.4	1.68	10.1	1.63	9.5	1.52	
20.0	18.5	12.0	1.88	11.4	1.75	10.7	1.66	10.4	1.62	10.1	1.57	9.5	1.47	
24.0	20.5	12.0	1.81	11.4	1.68	10.7	1.60	10.4	1.56	10.1	1.52	9.5	1.42	

Combination	Outdoor air temp		Indoor air temp °C DB											
			16		18		20		21		22		24	
	°C DB	°C WB	TC	PI	TC	PI	TC	PI	TC	PI	TC	PI	TC	PI
50%	-19.8	-20.0	10.1	4.24	9.6	3.94	9.1	3.66	8.8	3.53	8.5	3.39	8.0	3.12
	-18.8	-19.0	10.1	4.14	9.6	3.86	9.1	3.59	8.8	3.45	8.5	3.32	8.0	3.06
	-16.7	-17.0	10.1	3.96	9.6	3.69	9.1	3.43	8.8	3.30	8.5	3.18	8.0	2.93
	-13.7	-15.0	10.1	3.77	9.6	3.51	9.1	3.27	8.8	3.15	8.5	3.03	8.0	2.80
	-11.8	-13.0	10.1	3.58	9.6	3.34	9.1	3.11	8.8	3.00	8.5	2.88	8.0	2.67
	-9.8	-11.0	10.1	3.39	9.6	3.17	9.1	2.95	8.8	2.84	8.5	2.74	8.0	2.53
	-9.5	-10.0	10.1	3.29	9.6	3.08	9.1	2.87	8.8	2.77	8.5	2.67	8.0	2.47
	-8.5	-9.1	10.1	3.21	9.6	3.01	9.1	2.80	8.8	2.70	8.5	2.61	8.0	2.41
	-7.0	-7.6	10.1	3.08	9.6	2.89	9.1	2.69	8.8	2.60	8.5	2.50	8.0	2.32
	-5.0	-5.6	10.1	2.90	9.6	2.72	9.1	2.54	8.8	2.46	8.5	2.37	8.0	2.20
	-3.0	-3.7	10.1	2.75	9.6	2.58	9.1	2.41	8.8	2.33	8.5	2.25	8.0	2.09
	0.0	-0.7	10.1	2.52	9.6	2.37	9.1	2.22	8.8	2.14	8.5	2.07	8.0	1.93
	3.0	2.2	10.1	2.32	9.6	2.19	9.1	2.05	8.8	1.98	8.5	1.92	8.0	1.79
	5.0	4.1	10.1	2.21	9.6	2.07	9.1	1.94	8.8	1.88	8.5	1.82	8.0	1.70
	7.0	6.0	10.1	2.09	9.6	1.97	9.1	1.85	8.8	1.79	8.5	1.73	8.0	1.62
	9.0	7.9	10.1	1.99	9.6	1.87	9.1	1.76	8.8	1.71	8.5	1.65	8.0	1.54
	11.0	9.8	10.1	1.89	9.6	1.78	9.1	1.68	8.8	1.63	8.5	1.57	8.0	1.47
	13.0	11.8	10.1	1.80	9.6	1.69	9.1	1.60	8.8	1.55	8.5	1.50	8.0	1.41
15.0	13.7	10.1	1.71	9.6	1.62	9.1	1.52	8.8	1.48	8.5	1.43	8.0	1.34	
18.0	16.8	10.1	1.63	9.6	1.54	9.1	1.46	8.8	1.42	8.5	1.37	8.0	1.28	
20.0	18.5	10.1	1.55	9.6	1.48	9.1	1.41	8.8	1.36	8.5	1.31	8.0	1.22	
24.0	20.5	10.1	1.48	9.6	1.42	9.1	1.31	8.8	1.32	8.5	1.26	8.0	1.17	

Dc Inverter Multi VRF System Technical Sales Guide

GMV-160WL/C-T, GMV-160WL/C-X

TC—Total capacity of outdoor unit; PI—Power input of outdoor unit

Combination	Outdoor air temp		Indoor air temp °C DB											
			16		18		20		21		22		24	
	°C DB	°C WB	TC	PI	TC	PI	TC	PI	TC	PI	TC	PI	TC	PI
135%	-19.8	-20.0	11.7	3.29	11.6	3.51	11.5	3.75	11.5	3.86	11.5	3.98	11.5	4.22
	-18.8	-19.0	11.8	3.36	11.8	3.59	11.8	3.82	11.7	3.93	11.7	4.04	11.7	4.27
	-16.7	-17.0	12.3	3.51	12.2	3.73	12.2	3.96	12.2	4.05	12.2	4.17	12.1	4.40
	-13.7	-15.0	12.8	3.68	12.7	3.89	12.7	4.10	12.7	4.20	12.6	4.31	12.6	4.52
	-11.8	-13.0	13.3	3.84	13.3	4.05	13.3	4.25	13.2	4.35	13.2	4.45	13.1	4.65
	-9.8	-11.0	13.9	4.01	13.9	4.20	13.8	4.40	13.8	4.49	13.8	4.59	13.8	4.78
	-9.5	-10.0	14.3	4.09	14.2	4.28	14.2	4.47	14.2	4.57	14.1	4.66	14.1	4.84
	-8.5	-9.1	14.6	4.17	14.5	4.35	14.5	4.54	14.5	4.63	14.5	4.72	14.4	4.90
	-7.0	-7.6	15.1	4.29	15.1	4.47	15.0	4.64	15.0	4.73	15.0	4.82	14.9	5.00
	-5.0	-5.6	15.9	4.45	15.8	4.53	15.8	4.79	15.8	4.87	15.7	4.95	15.7	5.12
	-3.0	-3.7	16.6	4.60	16.6	4.76	16.6	4.92	16.5	5.00	16.5	5.08	16.5	5.24
	0.0	-0.7	17.9	4.82	17.9	4.97	17.9	5.12	17.9	5.19	17.8	5.27	17.8	5.41
	3.0	2.2	19.4	5.02	19.3	5.16	19.3	5.30	19.3	5.36	19.3	5.44	19.2	5.57
	5.0	4.1	20.3	5.15	20.3	5.28	20.3	5.40	20.2	5.47	20.2	5.54	20.2	5.66
	7.0	6.0	21.4	5.27	21.3	5.39	21.3	5.51	21.3	4.97	21.3	5.63	20.4	5.41
	9.0	7.9	22.5	5.37	22.4	5.50	22.4	5.61	22.3	5.67	21.9	5.56	20.4	5.08
	11.0	9.8	23.6	5.48	23.5	5.59	23.4	5.66	22.6	5.44	21.9	5.22	20.4	4.79
	13.0	11.8	24.9	5.59	24.8	5.69	23.4	5.31	22.6	5.10	21.9	4.90	20.4	4.49
15.0	13.7	26.1	5.68	24.9	5.39	23.4	5.00	22.6	4.81	21.9	4.61	20.4	4.24	
18.0	16.8	26.1	5.38	24.9	5.13	23.4	4.74	22.6	4.57	21.9	4.36	20.4	4.03	
20.0	18.5	26.1	5.12	24.9	4.90	23.4	4.52	22.6	4.36	21.9	4.14	20.4	3.85	
24.0	20.5	26.1	4.90	24.9	4.72	23.4	4.35	22.6	4.19	21.9	3.96	20.4	3.71	

Combination	Outdoor air temp		Indoor air temp °C DB											
			16		18		20		21		22		24	
	°C DB	°C WB	TC	PI	TC	PI	TC	PI	TC	PI	TC	PI	TC	PI
120%	-19.8	-20.0	11.6	3.60	11.5	3.81	11.5	4.03	11.5	4.13	11.5	4.24	11.4	4.46
	-18.8	-19.0	11.8	3.67	11.7	3.88	11.7	4.05	11.7	4.19	11.7	4.30	11.6	4.51
	-16.7	-17.0	12.2	3.81	12.2	4.02	12.2	4.22	12.1	4.32	12.1	4.42	12.1	4.62
	-13.7	-15.0	12.7	3.96	12.7	4.15	12.6	4.35	12.6	4.45	12.6	4.55	12.6	4.74
	-11.8	-13.0	13.3	4.11	13.3	4.30	13.2	4.49	13.2	4.58	13.1	4.67	13.1	4.86
	-9.8	-11.0	13.9	4.27	13.8	4.44	13.8	4.63	13.8	4.72	13.8	4.80	13.7	4.99
	-9.5	-10.0	14.2	4.35	14.2	4.52	14.1	4.69	14.1	4.78	14.1	4.83	14.1	5.04
	-8.5	-9.1	14.5	4.41	14.5	4.58	14.5	4.75	14.4	4.84	14.4	4.93	14.3	5.10
	-7.0	-7.6	15.0	4.53	15.0	4.69	15.0	4.86	15.0	4.94	14.9	5.02	14.9	5.18
	-5.0	-5.6	15.8	4.67	15.8	4.83	15.7	4.99	15.7	5.07	15.7	5.15	15.7	5.30
	-3.0	-3.7	16.6	4.81	16.6	4.96	16.5	5.11	16.5	5.18	16.5	5.26	16.5	5.40
	0.0	-0.7	17.9	5.02	17.9	5.16	17.8	5.36	17.8	5.36	17.8	5.43	17.8	5.57
	3.0	2.2	19.3	5.21	19.3	5.33	19.3	5.46	19.2	5.53	19.2	5.59	18.8	5.56
	5.0	4.1	20.3	5.32	20.2	5.44	20.2	5.56	20.2	5.62	20.2	5.68	18.8	5.22
	7.0	6.0	21.3	5.43	21.3	5.54	21.3	5.66	20.9	5.58	20.2	5.35	18.8	4.91
	9.0	7.9	22.4	5.54	22.3	5.65	21.6	5.46	20.9	5.24	20.2	5.03	18.8	4.62
	11.0	9.8	23.5	5.63	23.0	5.54	21.6	5.13	20.9	4.93	20.2	4.73	18.8	4.35
	13.0	11.8	24.4	5.58	23.0	5.19	21.6	4.81	20.9	4.63	20.2	4.45	18.8	4.09
15.0	13.7	24.4	5.25	23.0	4.89	21.6	4.54	20.9	4.37	20.2	4.20	18.8	3.86	
18.0	16.8	24.4	4.96	23.0	4.63	21.6	4.31	20.9	4.14	20.2	3.97	18.8	3.67	
20.0	18.5	24.4	4.70	23.0	4.42	21.6	4.12	20.9	3.94	20.2	3.79	18.8	3.49	
24.0	20.5	24.4	4.47	23.0	4.24	21.6	3.97	20.9	3.78	20.2	3.64	18.8	3.35	

Dc Inverter Multi VRF System Technical Sales Guide

Combination	Outdoor air temp		Indoor air temp °C DB											
			16		18		20		21		22		24	
	°C DB	°C WB	TC	PI	TC	PI	TC	PI	TC	PI	TC	PI	TC	PI
110%	-19.8	-20.0	11.5	3.91	11.5	4.11	11.4	4.31	11.4	4.40	11.4	4.50	11.4	4.70
	-18.8	-19.0	11.7	3.97	11.7	4.17	11.7	4.36	11.7	4.46	11.6	4.55	11.6	4.75
	-16.7	-17.0	12.2	4.11	12.1	4.29	12.1	4.48	12.1	4.57	12.1	4.67	12.0	4.85
	-13.7	-15.0	12.7	4.25	12.6	4.43	12.6	4.60	12.6	4.69	12.6	4.78	12.5	4.96
	-11.8	-13.0	13.2	4.39	13.2	4.56	13.1	4.73	13.1	4.81	13.1	4.90	13.1	5.07
	-9.8	-11.0	13.8	4.53	13.8	4.69	13.8	4.86	13.7	4.94	13.7	5.02	13.7	5.18
	-9.5	-10.0	14.2	4.60	14.1	4.76	14.1	4.92	14.1	5.00	14.1	5.08	14.0	5.24
	-8.5	-9.1	14.5	4.66	14.4	4.82	14.4	4.98	14.4	5.05	14.3	5.13	14.3	5.28
	-7.0	-7.6	15.0	4.77	15.0	4.92	14.9	5.07	14.9	5.15	15.1	5.22	14.9	5.37
	-5.0	-5.6	15.8	4.90	15.7	5.05	15.7	5.19	15.7	5.26	16.4	5.33	15.6	5.48
	-3.0	-3.7	16.5	5.03	16.5	5.16	16.5	5.30	16.5	5.37	17.8	5.44	16.4	5.57
	0.0	-0.7	17.8	5.22	17.8	5.34	17.8	5.47	17.8	5.53	18.5	5.60	17.3	5.49
	3.0	2.2	19.3	5.39	19.2	5.51	19.2	5.62	19.1	5.68	18.5	5.45	17.3	4.99
	5.0	4.1	20.2	5.50	20.2	5.61	19.8	5.56	19.1	5.33	18.5	5.12	17.3	4.70
	7.0	6.0	21.3	5.60	21.1	5.63	19.8	5.22	19.1	5.01	18.5	4.81	17.3	4.42
	9.0	7.9	22.3	5.69	21.1	5.30	19.8	4.91	19.1	4.72	18.5	4.53	17.3	4.17
	11.0	9.8	22.3	5.35	21.1	4.98	19.8	4.62	19.1	4.44	18.5	4.27	17.3	3.93
	13.0	11.8	22.3	5.02	21.1	4.67	19.8	4.34	19.1	4.18	18.5	4.02	17.3	3.70
	15.0	13.7	22.3	4.73	21.1	4.41	19.8	4.10	19.1	3.94	18.5	3.80	17.3	3.50
	18.0	16.8	22.3	4.47	21.1	4.18	19.8	3.74	19.1	3.74	18.5	3.62	17.3	3.33
20.0	18.5	22.3	4.25	21.1	3.97	19.8	3.54	19.1	3.56	18.5	3.47	17.3	3.19	
24.0	20.5	22.3	4.05	21.1	3.79	19.8	3.38	19.1	3.41	18.5	3.34	17.3	3.07	

Combination	Outdoor air temp		Indoor air temp °C DB											
			16		18		20		21		22		24	
	°C DB	°C WB	TC	PI	TC	PI	TC	PI	TC	PI	TC	PI	TC	PI
100%	-19.8	-20.0	11.5	4.23	11.4	4.40	11.4	4.58	11.4	4.67	11.4	4.76	11.3	4.94
	-18.8	-19.0	11.7	4.28	11.7	4.46	11.6	4.63	11.6	4.72	11.5	4.81	11.5	4.99
	-16.7	-17.0	12.1	4.40	12.1	4.57	12.1	4.74	12.1	4.83	12.0	4.91	12.0	5.08
	-13.7	-15.0	12.6	4.53	12.6	4.69	12.6	4.86	12.5	4.94	12.5	5.02	12.5	5.18
	-11.8	-13.0	13.1	4.66	13.1	4.81	13.1	4.97	13.1	5.05	13.1	4.95	13.0	5.28
	-9.8	-11.0	13.8	4.79	13.7	4.94	13.7	5.08	13.7	5.16	13.7	5.24	13.7	5.38
	-9.5	-10.0	14.1	4.86	14.1	5.00	14.1	5.15	14.0	5.22	14.0	5.29	13.9	5.44
	-8.5	-9.1	14.4	4.91	14.4	5.05	14.3	5.19	14.3	5.27	14.3	5.34	14.3	5.48
	-7.0	-7.6	14.9	5.01	14.9	5.15	14.9	5.28	14.9	5.35	14.9	5.42	14.8	5.56
	-5.0	-5.6	15.7	5.13	15.7	5.26	15.7	5.39	15.6	5.46	15.6	5.52	15.6	5.65
	-3.0	-3.7	16.5	5.25	16.5	5.37	16.4	5.50	16.4	5.56	16.4	5.62	15.7	5.38
	0.0	-0.7	17.8	5.42	17.8	5.53	17.7	5.65	17.4	5.56	16.9	5.33	15.7	4.89
	3.0	2.2	19.2	5.57	19.1	5.68	18.0	5.25	17.4	5.05	16.9	4.85	15.7	4.45
	5.0	4.1	20.2	5.68	19.1	5.33	18.0	4.94	17.4	4.75	16.9	4.57	15.7	4.20
	7.0	6.0	20.3	5.39	19.1	5.01	18.0	4.65	17.4	4.47	16.9	4.30	15.7	3.96
	9.0	7.9	20.3	5.06	19.1	4.72	18.0	4.38	17.4	4.22	16.9	4.05	15.7	3.73
	11.0	9.8	20.3	4.76	19.1	4.44	18.0	4.13	17.4	3.97	16.9	3.82	15.7	3.53
	13.0	11.8	20.3	4.47	19.1	4.18	18.0	3.89	17.4	3.74	16.9	3.61	15.7	3.33
15.0	13.7	20.3	4.22	19.1	3.94	18.0	3.67	17.4	3.54	16.9	3.41	15.7	3.15	
18.0	16.8	20.3	3.98	19.1	3.76	18.0	3.55	17.4	3.36	16.9	3.22	15.7	3.00	
20.0	18.5	20.3	3.76	19.1	3.61	18.0	3.41	17.4	3.21	16.9	3.07	15.7	2.88	
24.0	20.5	20.3	3.55	19.1	3.49	18.0	3.27	17.4	3.09	16.9	2.95	15.7	2.79	

Dc Inverter Multi VRF System Technical Sales Guide

Combination	Outdoor air temp		Indoor air temp °C DB											
			16		18		20		21		22		24	
	°C DB	°C WB	TC	PI	TC	PI	TC	PI	TC	PI	TC	PI	TC	PI
90%	-19.8	-20.0	12.3	4.54	12.3	4.70	12.3	4.86	12.2	4.94	12.2	5.02	12.2	5.18
	-18.8	-19.0	12.5	4.59	12.5	4.75	12.4	4.91	12.4	4.99	12.4	5.07	12.4	5.22
	-16.7	-17.0	13.0	4.70	12.9	4.86	12.9	5.01	12.9	5.08	12.8	5.16	12.8	5.31
	-13.7	-15.0	13.5	4.82	13.4	4.96	13.4	5.11	13.4	5.13	13.4	5.25	13.4	5.40
	-11.8	-13.0	14.0	4.93	14.0	5.07	13.9	5.21	13.9	5.28	13.9	5.35	13.9	5.49
	-9.8	-11.0	14.6	5.05	14.6	5.18	14.6	5.31	14.6	5.39	14.6	5.45	14.5	5.59
	-9.5	-10.0	15.0	5.11	14.9	5.24	14.9	5.37	14.8	5.44	14.8	5.50	14.8	5.63
	-8.5	-9.1	15.2	5.16	15.2	5.29	15.2	5.42	15.2	5.48	15.2	5.54	15.0	5.60
	-7.0	-7.6	15.8	5.25	15.8	5.37	15.7	5.50	15.7	5.56	15.7	5.62	15.0	5.34
	-5.0	-5.6	16.6	5.36	16.5	5.48	16.5	5.59	16.5	5.65	16.0	5.48	15.0	5.02
	-3.0	-3.7	17.3	5.47	17.3	4.97	17.1	5.60	16.6	5.37	16.0	5.16	15.0	4.73
	0.0	-0.7	18.7	5.62	18.2	4.88	17.1	5.08	16.6	4.88	16.0	4.69	15.0	4.31
	3.0	2.2	19.2	5.36	18.2	4.99	17.1	4.63	16.6	4.45	16.0	4.28	15.0	3.94
	5.0	4.1	19.2	5.04	18.2	4.69	17.1	4.36	16.6	4.19	16.0	4.03	15.0	3.71
	7.0	6.0	19.2	4.73	18.2	4.42	17.1	4.11	16.6	3.96	16.0	3.80	15.0	3.51
	9.0	7.9	19.2	4.46	18.2	4.16	17.1	3.87	16.6	3.73	16.0	3.59	15.0	3.32
	11.0	9.8	19.2	4.20	18.2	3.93	17.1	3.66	16.6	3.53	16.0	3.39	15.0	3.14
	13.0	11.8	19.2	3.96	18.2	3.70	17.1	3.45	16.6	3.33	16.0	3.21	15.0	2.97
15.0	13.7	19.2	3.74	18.2	3.50	17.1	3.27	16.6	3.14	16.0	3.04	15.0	2.81	
18.0	16.8	19.2	3.53	18.2	3.30	17.1	3.10	16.6	2.97	16.0	2.88	15.0	2.68	
20.0	18.5	19.2	3.34	18.2	3.12	17.1	2.94	16.6	2.80	16.0	2.74	15.0	2.55	
24.0	20.5	19.2	3.15	18.2	2.95	17.1	2.79	16.6	2.64	16.0	2.60	15.0	2.44	

Combination	Outdoor air temp		Indoor air temp °C DB											
			16		18		20		21		22		24	
	°C DB	°C WB	TC	PI	TC	PI	TC	PI	TC	PI	TC	PI	TC	PI
80%	-19.8	-20.0	12.3	4.86	12.2	4.99	12.2	5.14	12.2	5.21	12.2	5.28	12.2	5.42
	-18.8	-19.0	12.4	4.90	12.4	5.04	12.4	5.18	12.4	5.25	12.4	5.32	12.3	5.47
	-16.7	-17.0	12.9	5.00	12.8	5.13	12.8	5.27	12.8	5.34	12.8	5.40	12.8	5.54
	-13.7	-15.0	13.4	5.10	13.4	5.23	13.4	5.36	13.4	5.42	13.3	5.49	13.3	5.62
	-11.8	-13.0	13.9	5.21	13.9	5.33	13.9	5.45	13.9	5.51	13.9	5.58	13.5	5.43
	-9.8	-11.0	14.6	5.31	14.6	5.43	14.5	5.55	14.5	5.60	14.4	5.59	13.5	5.13
	-9.5	-10.0	14.9	5.36	14.8	5.48	14.8	5.59	14.8	5.65	14.4	5.43	13.5	4.98
	-8.5	-9.1	15.2	5.41	15.2	5.53	15.1	5.63	14.8	5.51	14.4	5.28	13.5	4.84
	-7.0	-7.6	15.7	5.49	15.7	5.60	15.3	5.48	14.8	5.26	14.4	5.05	13.5	4.65
	-5.0	-5.6	16.5	4.98	16.2	5.56	15.3	5.15	14.8	4.95	14.4	4.75	13.5	4.36
	-3.0	-3.7	17.1	5.01	16.2	5.23	15.3	4.84	14.8	4.68	14.4	4.47	13.5	4.12
	0.0	-0.7	17.1	5.10	16.2	4.75	15.3	4.41	14.8	4.25	14.4	4.08	13.5	3.76
	3.0	2.2	17.1	4.64	16.2	4.33	15.3	4.03	14.8	3.88	14.4	3.73	13.5	3.44
	5.0	4.1	17.1	4.37	16.2	4.08	15.3	3.80	14.8	3.66	14.4	3.53	13.5	3.26
	7.0	6.0	17.1	4.12	16.2	3.86	15.3	3.59	14.8	3.46	14.4	3.33	13.5	3.08
	9.0	7.9	17.1	3.89	16.2	3.64	15.3	3.41	14.8	3.27	14.4	3.15	13.5	2.92
	11.0	9.8	17.1	3.67	16.2	3.44	15.3	3.21	14.8	3.09	14.4	2.98	13.5	2.77
13.0	11.8	17.1	3.46	16.2	3.24	15.3	3.03	14.8	2.92	14.4	2.82	13.5	2.61	
15.0	13.7	17.1	3.27	16.2	3.07	15.3	2.87	14.8	2.77	14.4	2.68	13.5	2.49	
18.0	16.8	17.1	3.12	16.2	2.92	15.3	2.74	14.8	2.63	14.4	2.54	13.5	2.37	
20.0	18.5	17.1	3.00	16.2	2.80	15.3	2.61	14.8	2.51	14.4	2.42	13.5	2.26	
24.0	20.5	17.1	2.91	16.2	2.71	15.3	2.51	14.8	2.40	14.4	2.31	13.5	2.17	

Dc Inverter Multi VRF System Technical Sales Guide

Combination	Outdoor air temp		Indoor air temp °C DB											
			16		18		20		21		22		24	
	°C DB	°C WB	TC	PI	TC	PI	TC	PI	TC	PI	TC	PI	TC	PI
			kW	kW	kW	kW	kW	kW	kW	kW	kW	kW	kW	kW
70%	-19.8	-20.0	12.2	5.17	12.2	5.29	12.2	5.42	12.2	5.48	12.2	5.54	11.9	5.48
	-18.8	-19.0	12.4	5.21	12.4	5.33	12.3	5.45	12.3	5.51	12.3	5.58	11.9	5.37
	-16.7	-17.0	12.8	5.30	12.8	5.42	12.8	5.53	12.8	5.59	12.7	5.59	11.9	5.12
	-13.7	-15.0	13.4	5.39	13.3	5.50	13.3	5.62	13.1	5.38	12.7	5.31	11.9	4.87
	-11.8	-13.0	13.9	5.48	13.9	5.59	13.5	5.45	13.1	5.24	12.7	5.03	11.9	4.61
	-9.8	-11.0	14.5	5.57	14.3	5.56	13.5	5.15	13.1	4.95	12.7	4.75	11.9	4.37
	-9.5	-10.0	14.8	5.62	14.3	5.40	13.5	5.00	13.1	4.81	12.7	4.62	11.9	4.25
	-8.5	-9.1	15.1	5.65	14.3	5.25	13.5	4.87	13.1	4.68	12.7	4.50	11.9	4.14
	-7.0	-7.6	15.1	5.39	14.3	5.02	13.5	4.66	13.1	4.48	12.7	4.31	11.9	3.96
	-5.0	-5.6	15.1	5.07	14.3	4.72	13.5	4.38	13.1	4.22	12.7	4.05	11.9	3.74
	-3.0	-3.7	15.1	4.77	14.3	4.45	13.5	4.14	13.1	3.98	12.7	3.83	11.9	3.53
	0.0	-0.7	15.1	4.34	14.3	4.08	13.5	3.77	13.1	3.64	12.7	3.50	11.9	3.24
	3.0	2.2	15.1	3.97	14.3	0.09	13.5	3.46	13.1	3.33	12.7	3.21	11.9	2.97
	5.0	4.1	15.1	3.74	14.3	3.50	13.5	3.27	13.1	3.15	12.7	3.04	11.9	2.81
	7.0	6.0	15.1	3.54	14.3	3.32	13.5	3.09	13.1	2.98	12.7	2.88	11.9	2.67
	9.0	7.9	15.1	3.35	14.3	3.13	13.5	2.93	13.1	2.83	12.7	2.73	11.9	2.53
	11.0	9.8	15.1	3.16	14.3	2.97	13.5	2.78	13.1	2.68	12.7	2.59	11.9	2.40
	13.0	11.8	15.1	2.99	14.3	2.81	13.5	2.63	13.1	2.54	12.7	2.45	11.9	2.28
15.0	13.7	15.1	2.83	14.3	2.66	13.5	2.49	13.1	2.42	12.7	2.33	11.9	2.17	
18.0	16.8	15.1	2.69	14.3	2.53	13.5	2.37	13.1	2.30	12.7	2.22	11.9	2.08	
20.0	18.5	15.1	2.56	14.3	2.41	13.5	2.26	13.1	2.20	12.7	2.13	11.9	1.99	
24.0	20.5	15.1	2.45	14.3	2.30	13.5	2.17	13.1	2.11	12.7	2.05	11.9	1.92	

Combination	Outdoor air temp		Indoor air temp °C DB											
			16		18		20		21		22		24	
	°C DB	°C WB	TC	PI	TC	PI	TC	PI	TC	PI	TC	PI	TC	PI
60%	-19.8	-20.0	12.2	5.48	12.1	5.59	11.7	5.37	11.4	5.16	11.0	4.96	10.3	4.55
	-18.8	-19.0	12.3	5.52	12.3	5.62	11.7	5.26	11.4	5.05	11.0	4.85	10.3	4.45
	-16.7	-17.0	12.8	5.59	12.4	5.42	11.7	5.02	11.4	4.83	11.0	4.63	10.3	4.26
	-13.7	-15.0	13.1	5.53	12.4	5.15	11.7	4.77	11.4	4.59	11.0	4.41	10.3	4.05
	-11.8	-13.0	13.1	5.24	12.4	4.87	11.7	4.52	11.4	4.35	11.0	4.19	10.3	3.85
	-9.8	-11.0	13.1	4.95	12.4	4.61	11.7	4.28	11.4	4.12	11.0	3.96	10.3	3.65
	-9.5	-10.0	13.1	4.81	12.4	4.48	11.7	4.16	11.4	4.01	11.0	3.85	10.3	3.55
	-8.5	-9.1	13.1	4.68	12.4	4.37	11.7	4.06	11.4	3.91	11.0	3.76	10.3	3.47
	-7.0	-7.6	13.1	4.47	12.4	4.18	11.7	3.88	11.4	3.74	11.0	3.60	10.3	3.33
	-5.0	-5.6	13.1	4.22	12.4	3.94	11.7	3.67	11.4	3.53	11.0	3.40	10.3	3.15
	-3.0	-3.7	13.1	3.98	12.4	3.72	11.7	3.48	11.4	3.35	11.0	3.22	10.3	2.98
	0.0	-0.7	13.1	3.64	12.4	3.41	11.7	3.18	11.4	3.07	11.0	2.95	10.3	2.74
	3.0	2.2	13.1	3.33	12.4	3.13	11.7	2.92	11.4	2.82	11.0	2.72	10.3	0.11
	5.0	4.1	13.1	3.15	12.4	2.96	11.7	2.77	11.4	2.68	11.0	2.58	10.3	2.40
	7.0	6.0	13.1	2.98	12.4	2.80	11.7	2.62	11.4	2.54	11.0	2.45	10.3	2.28
	9.0	7.9	13.1	2.83	12.4	2.66	11.7	2.49	11.4	2.41	11.0	2.33	10.3	2.17
	11.0	9.8	13.1	2.68	12.4	2.52	11.7	2.37	11.4	2.29	11.0	2.21	10.3	2.07
13.0	11.8	13.1	2.54	12.4	2.39	11.7	2.25	11.4	2.17	11.0	2.10	10.3	1.96	
15.0	13.7	13.1	2.42	12.4	2.27	11.7	2.14	11.4	2.07	11.0	2.00	10.3	1.87	
18.0	16.8	13.1	2.31	12.4	2.16	11.7	2.04	11.4	1.98	11.0	1.92	10.3	1.79	
20.0	18.5	13.1	2.21	12.4	2.07	11.7	1.96	11.4	1.90	11.0	1.85	10.3	1.73	
24.0	20.5	13.1	2.13	12.4	1.98	11.7	1.88	11.4	1.84	11.0	1.79	10.3	1.67	

Dc Inverter Multi VRF System Technical Sales Guide

Combination	Outdoor air temp		Indoor air temp °C DB											
			16		18		20		21		22		24	
	°C DB	°C WB	TC	PI	TC	PI	TC	PI	TC	PI	TC	PI	TC	PI
50%	-19.8	-20.0	11.1	4.99	10.5	4.64	9.9	4.31	9.6	4.15	9.3	3.99	8.7	3.68
	-18.8	-19.0	11.1	4.88	10.5	4.55	9.9	4.23	9.6	4.06	9.3	3.91	8.7	3.61
	-16.7	-17.0	11.1	4.66	10.5	4.34	9.9	4.04	9.6	3.89	9.3	3.74	8.7	3.45
	-13.7	-15.0	11.1	4.43	10.5	4.14	9.9	3.85	9.6	3.71	9.3	3.57	8.7	3.30
	-11.8	-13.0	11.1	4.21	10.5	3.94	9.9	3.66	9.6	3.53	9.3	3.39	8.7	3.14
	-9.8	-11.0	11.1	3.99	10.5	3.73	9.9	3.47	9.6	3.35	9.3	3.22	8.7	2.98
	-9.5	-10.0	11.1	3.88	10.5	3.62	9.9	3.38	9.6	3.26	9.3	3.14	8.7	2.90
	-8.5	-9.1	11.1	3.78	10.5	3.54	9.9	3.30	9.6	3.18	9.3	3.07	8.7	2.84
	-7.0	-7.6	11.1	3.62	10.5	3.41	9.9	3.16	9.6	3.06	9.3	2.95	8.7	2.73
	-5.0	-5.6	11.1	3.42	10.5	3.21	9.9	3.00	9.6	2.89	9.3	2.79	8.7	2.58
	-3.0	-3.7	11.1	3.24	10.5	3.04	9.9	2.84	9.6	2.74	9.3	2.65	8.7	2.46
	0.0	-0.7	11.1	2.97	10.5	2.79	9.9	2.61	9.6	2.52	9.3	2.44	8.7	2.27
	3.0	2.2	11.1	2.74	10.5	2.57	9.9	2.41	9.6	2.33	9.3	2.26	8.7	2.10
	5.0	4.1	11.1	2.60	10.5	2.44	9.9	2.29	9.6	2.22	9.3	2.14	8.7	2.00
	7.0	6.0	11.1	2.46	10.5	2.32	9.9	2.18	9.6	2.11	9.3	2.04	8.7	1.91
	9.0	7.9	11.1	2.34	10.5	2.20	9.9	2.07	9.6	2.01	9.3	1.94	8.7	1.82
	11.0	9.8	11.1	2.22	10.5	2.10	9.9	1.97	9.6	1.91	9.3	1.85	8.7	1.73
	13.0	11.8	11.1	2.11	10.5	1.99	9.9	1.88	9.6	1.82	9.3	1.76	8.7	1.65
15.0	13.7	11.1	2.01	10.5	1.90	9.9	1.79	9.6	1.74	9.3	1.68	8.7	1.58	
18.0	16.8	11.1	1.91	10.5	1.82	9.9	1.72	9.6	1.67	9.3	1.61	8.7	1.50	
20.0	18.5	11.1	1.82	10.5	1.74	9.9	1.65	9.6	1.61	9.3	1.55	8.7	1.44	
24.0	20.5	11.1	1.74	10.5	1.67	9.9	1.54	9.6	1.55	9.3	1.49	8.7	1.38	

GMV-224WL/C-X

TC—Total capacity of outdoor unit; PI—Power input of outdoor unit

Combination	Outdoor air temp		Indoor air temp °C DB											
			16		18		20		21		22		24	
	°C DB	°C WB	TC	PI	TC	PI	TC	PI	TC	PI	TC	PI	TC	PI
135%	-19.8	-20.0	15.5	3.46	15.5	3.70	15.4	3.95	15.4	4.07	15.3	4.19	15.3	4.44
	-18.8	-19.0	15.8	3.54	15.7	3.78	15.7	4.02	15.6	4.14	15.6	4.26	15.5	4.50
	-16.7	-17.0	16.4	3.70	16.3	3.93	16.2	4.17	16.2	4.26	16.2	4.40	16.2	4.63
	-13.7	-15.0	17.1	3.88	17.0	4.10	16.9	4.32	16.9	4.43	16.8	4.54	16.8	4.77
	-11.8	-13.0	17.8	4.05	17.8	4.26	17.7	4.47	17.6	4.58	17.6	4.69	17.5	4.90
	-9.8	-11.0	18.6	4.23	18.5	4.43	18.4	4.63	18.4	4.73	18.4	4.84	18.4	5.04
	-9.5	-10.0	19.0	4.31	19.0	4.51	18.9	4.71	18.9	4.81	18.8	4.91	18.8	5.10
	-8.5	-9.1	19.4	4.39	19.4	4.58	19.4	4.78	19.3	4.87	19.3	4.97	19.2	5.17
	-7.0	-7.6	20.1	4.52	20.1	4.71	20.0	4.89	20.0	4.99	20.0	5.08	19.9	5.27
	-5.0	-5.6	21.2	4.69	21.1	4.77	21.0	5.05	21.0	5.14	21.0	5.22	21.0	5.40
	-3.0	-3.7	22.2	4.84	22.1	5.01	22.1	5.18	22.0	5.27	22.0	5.35	21.9	5.52
	0.0	-0.7	23.9	5.08	23.9	5.24	23.8	5.39	23.8	5.47	23.8	5.55	23.8	5.70
	3.0	2.2	25.8	5.29	25.8	5.43	25.7	5.58	25.7	5.65	25.7	5.73	25.6	5.87
	5.0	4.1	27.1	5.42	27.0	5.56	27.0	5.70	27.0	5.77	27.0	5.84	26.9	5.97
	7.0	6.0	28.5	5.55	28.4	5.68	28.4	5.81	28.3	5.24	28.3	5.94	27.2	5.70
	9.0	7.9	29.9	5.66	29.9	5.79	29.9	5.91	29.8	5.98	29.2	5.85	27.2	5.36
	11.0	9.8	31.5	5.78	31.4	5.89	31.2	5.97	30.2	5.73	29.2	5.50	27.2	5.05
	13.0	11.8	33.1	5.89	33.1	6.00	31.2	5.59	30.2	5.37	29.2	5.16	27.2	4.73
15.0	13.7	34.7	5.99	33.2	5.68	31.2	5.27	30.2	5.07	29.2	4.86	27.2	4.47	
18.0	16.8	34.7	5.67	33.2	5.41	31.2	5.00	30.2	4.81	29.2	4.59	27.2	4.24	
20.0	18.5	34.7	5.40	33.2	5.17	31.2	4.77	30.2	4.59	29.2	4.37	27.2	4.05	
24.0	20.5	34.7	5.16	33.2	4.97	31.2	4.58	30.2	4.42	29.2	4.17	27.2	3.91	

Dc Inverter Multi VRF System Technical Sales Guide

Combination	Outdoor air temp		Indoor air temp °C DB											
			16		18		20		21		22		24	
	°C DB	°C WB	TC	PI	TC	PI	TC	PI	TC	PI	TC	PI	TC	PI
120%	-19.8	-20.0	15.5	3.79	15.4	4.02	15.3	4.24	15.3	4.35	15.3	4.47	15.2	4.70
	-18.8	-19.0	15.7	3.86	15.6	4.09	15.6	4.26	15.5	4.42	15.5	4.53	15.5	4.75
	-16.7	-17.0	16.3	4.02	16.2	4.23	16.2	4.44	16.2	4.55	16.2	4.66	16.1	4.87
	-13.7	-15.0	17.0	4.17	16.9	4.38	16.8	4.58	16.8	4.69	16.8	4.79	16.8	5.00
	-11.8	-13.0	17.7	4.33	17.7	4.53	17.6	4.73	17.6	4.83	17.5	4.93	17.5	5.12
	-9.8	-11.0	18.5	4.50	18.4	4.68	18.4	4.87	18.4	4.97	18.4	5.06	18.3	5.26
	-9.5	-10.0	19.0	4.58	18.9	4.77	18.8	4.94	18.8	5.04	18.8	5.09	18.7	5.31
	-8.5	-9.1	19.4	4.65	19.3	4.83	19.3	5.01	19.2	5.10	19.2	5.19	19.1	5.37
	-7.0	-7.6	20.0	4.77	20.0	4.94	20.0	5.12	20.0	5.21	19.9	5.29	19.9	5.46
	-5.0	-5.6	21.1	4.93	21.0	5.09	21.0	5.26	21.0	5.34	21.0	5.42	20.9	5.58
	-3.0	-3.7	22.1	5.07	22.1	5.23	22.0	5.38	22.0	5.46	21.9	5.54	21.9	5.70
	0.0	-0.7	23.8	5.29	23.8	5.43	23.8	5.64	23.8	5.65	23.7	5.72	23.7	5.87
	3.0	2.2	25.8	5.49	25.7	5.62	25.7	5.75	25.6	5.82	25.6	5.89	25.1	5.85
	5.0	4.1	27.0	5.61	27.0	5.73	27.0	5.86	26.9	5.92	26.9	5.99	25.1	5.50
	7.0	6.0	28.4	5.72	28.4	5.84	28.3	5.96	27.9	5.88	27.0	5.64	25.1	5.17
	9.0	7.9	29.9	5.84	29.8	5.95	28.8	5.75	27.9	5.52	27.0	5.30	25.1	4.87
	11.0	9.8	31.4	5.94	30.6	5.84	28.8	5.41	27.9	5.20	27.0	4.99	25.1	4.59
	13.0	11.8	32.5	5.88	30.6	5.47	28.8	5.07	27.9	4.88	27.0	4.69	25.1	4.31
	15.0	13.7	32.5	5.54	30.6	5.15	28.8	4.79	27.9	4.60	27.0	4.42	25.1	4.07
	18.0	16.8	32.5	5.23	30.6	4.88	28.8	4.54	27.9	4.36	27.0	4.19	25.1	3.86
20.0	18.5	32.5	4.96	30.6	4.66	28.8	4.35	27.9	4.16	27.0	3.99	25.1	3.68	
24.0	20.5	32.5	4.72	30.6	4.47	28.8	4.19	27.9	3.98	27.0	3.83	25.1	3.53	

Combination	Outdoor air temp		Indoor air temp °C DB											
			16		18		20		21		22		24	
	°C DB	°C WB	TC	PI	TC	PI	TC	PI	TC	PI	TC	PI	TC	PI
110%	-19.8	-20.0	15.4	4.12	15.3	4.33	15.2	4.54	15.2	4.64	15.2	4.74	15.2	4.95
	-18.8	-19.0	15.6	4.19	15.6	4.39	15.5	4.59	15.5	4.70	15.5	4.80	15.5	5.00
	-16.7	-17.0	16.2	4.33	16.2	4.52	16.2	4.72	16.1	4.82	16.1	4.92	16.0	5.11
	-13.7	-15.0	16.9	4.47	16.8	4.66	16.8	4.85	16.8	4.94	16.8	5.04	16.7	5.22
	-11.8	-13.0	17.6	4.63	17.6	4.80	17.5	4.98	17.5	5.07	17.4	5.16	17.4	5.35
	-9.8	-11.0	18.4	4.77	18.4	4.94	18.4	5.12	18.3	5.21	18.3	5.29	18.3	5.46
	-9.5	-10.0	18.9	4.85	18.8	5.01	18.7	5.19	18.7	5.27	18.7	5.35	18.7	5.52
	-8.5	-9.1	19.3	4.91	19.2	5.08	19.2	5.24	19.2	5.33	19.1	5.41	19.1	5.57
	-7.0	-7.6	20.0	5.03	20.0	5.18	19.9	5.34	19.9	5.42	20.1	5.50	19.8	5.66
	-5.0	-5.6	21.0	5.17	21.0	5.32	20.9	5.47	20.9	5.54	21.9	5.62	20.8	5.77
	-3.0	-3.7	22.0	5.30	22.0	5.44	21.9	5.59	21.9	5.66	23.7	5.73	21.9	5.87
	0.0	-0.7	23.8	5.50	23.8	5.63	23.7	5.77	23.7	5.83	24.7	5.90	23.0	5.78
	3.0	2.2	25.7	5.68	25.6	5.80	25.6	5.92	25.5	5.98	24.7	5.74	23.0	5.26
	5.0	4.1	27.0	5.79	27.0	5.91	26.4	5.85	25.5	5.62	24.7	5.40	23.0	4.95
	7.0	6.0	28.3	5.90	28.1	5.94	26.4	5.50	25.5	5.28	24.7	5.07	23.0	4.66
	9.0	7.9	29.8	5.99	28.1	5.58	26.4	5.17	25.5	4.97	24.7	4.77	23.0	4.39
	11.0	9.8	29.8	5.64	28.1	5.25	26.4	4.87	25.5	4.68	24.7	4.50	23.0	4.14
	13.0	11.8	29.8	5.29	28.1	4.93	26.4	4.58	25.5	4.40	24.7	4.23	23.0	3.90
15.0	13.7	29.8	4.98	28.1	4.65	26.4	4.32	25.5	4.16	24.7	4.00	23.0	3.69	
18.0	16.8	29.8	4.72	28.1	4.40	26.4	3.94	25.5	3.94	24.7	3.81	23.0	3.51	
20.0	18.5	29.8	4.47	28.1	4.19	26.4	3.74	25.5	3.75	24.7	3.65	23.0	3.36	
24.0	20.5	29.8	4.27	28.1	4.00	26.4	3.56	25.5	3.59	24.7	3.52	23.0	3.23	

Dc Inverter Multi VRF System Technical Sales Guide

Combination	Outdoor air temp		Indoor air temp °C DB											
			16		18		20		21		22		24	
	°C DB	°C WB	TC	PI	TC	PI	TC	PI	TC	PI	TC	PI	TC	PI
100%	-19.8	-20.0	15.3	4.45	15.2	4.64	15.2	4.83	15.2	4.93	15.2	5.01	15.1	5.21
	-18.8	-19.0	15.5	4.51	15.5	4.70	15.5	4.88	15.5	4.98	15.4	5.07	15.4	5.26
	-16.7	-17.0	16.2	4.64	16.1	4.82	16.1	5.00	16.1	5.08	16.0	5.17	16.0	5.35
	-13.7	-15.0	16.8	4.77	16.8	4.94	16.8	5.12	16.7	5.21	16.7	5.29	16.6	5.46
	-11.8	-13.0	17.5	4.91	17.5	5.07	17.4	5.24	17.4	5.32	17.4	5.21	17.4	5.57
	-9.8	-11.0	18.4	5.05	18.3	5.21	18.3	5.36	18.3	5.44	18.2	5.52	18.2	5.67
	-9.5	-10.0	18.8	5.12	18.7	5.27	18.7	5.42	18.7	5.50	18.7	5.57	18.6	5.73
	-8.5	-9.1	19.2	5.17	19.2	5.33	19.1	5.47	19.1	5.55	19.0	5.63	19.0	5.77
	-7.0	-7.6	19.9	5.28	19.9	5.42	19.8	5.56	19.8	5.64	19.8	5.71	19.7	5.85
	-5.0	-5.6	21.0	5.41	20.9	5.54	20.9	5.68	20.8	5.75	20.8	5.82	20.8	5.96
	-3.0	-3.7	21.9	5.53	21.9	5.66	21.9	5.79	21.9	5.85	21.9	5.92	21.0	5.67
	0.0	-0.7	23.7	5.71	23.7	5.83	23.6	5.95	23.2	5.85	22.5	5.61	21.0	5.15
	3.0	2.2	25.6	5.87	25.5	5.98	24.0	5.54	23.2	5.32	22.5	5.11	21.0	4.69
	5.0	4.1	26.9	5.98	25.5	5.62	24.0	5.21	23.2	5.01	22.5	4.81	21.0	4.42
	7.0	6.0	27.0	5.68	25.5	5.28	24.0	4.90	23.2	4.72	22.5	4.53	21.0	4.17
	9.0	7.9	27.0	5.33	25.5	4.97	24.0	4.61	23.2	4.44	22.5	4.27	21.0	3.93
	11.0	9.8	27.0	5.02	25.5	4.68	24.0	4.35	23.2	4.19	22.5	4.03	21.0	3.72
	13.0	11.8	27.0	4.72	25.5	4.40	24.0	4.10	23.2	3.95	22.5	3.80	21.0	3.51
	15.0	13.7	27.0	4.45	25.5	4.16	24.0	3.87	23.2	3.73	22.5	3.59	21.0	3.32
	18.0	16.8	27.0	4.19	25.5	3.96	24.0	3.74	23.2	3.54	22.5	3.40	21.0	3.16
20.0	18.5	27.0	3.96	25.5	3.81	24.0	3.59	23.2	3.38	22.5	3.24	21.0	3.04	
24.0	20.5	27.0	3.74	25.5	3.68	24.0	3.45	23.2	3.25	22.5	3.11	21.0	2.94	

Combination	Outdoor air temp		Indoor air temp °C DB											
			16		18		20		21		22		24	
	°C DB	°C WB	TC	PI	TC	PI	TC	PI	TC	PI	TC	PI	TC	PI
90%	-19.8	-20.0	16.4	4.79	16.4	4.95	16.4	5.12	16.3	5.21	16.3	5.29	16.3	5.46
	-18.8	-19.0	16.7	4.84	16.7	5.01	16.6	5.17	16.6	5.26	16.6	5.34	16.5	5.50
	-16.7	-17.0	17.3	4.96	17.2	5.12	17.2	5.28	17.2	5.36	17.1	5.43	17.1	5.59
	-13.7	-15.0	18.0	5.08	17.9	5.23	17.9	5.38	17.8	5.41	17.8	5.54	17.8	5.69
	-11.8	-13.0	18.6	5.20	18.6	5.35	18.6	5.49	18.6	5.57	18.6	5.64	18.5	5.78
	-9.8	-11.0	19.5	5.32	19.5	5.46	19.4	5.60	19.4	5.68	19.4	5.75	19.3	5.89
	-9.5	-10.0	19.9	5.38	19.9	5.52	19.9	5.66	19.8	5.73	19.8	5.80	19.8	5.93
	-8.5	-9.1	20.3	5.44	20.3	5.57	20.2	5.71	20.2	5.77	20.2	5.84	20.0	5.90
	-7.0	-7.6	21.0	5.53	21.0	5.66	20.9	5.79	20.9	5.85	20.9	5.92	20.0	5.63
	-5.0	-5.6	22.1	5.65	22.0	5.77	22.0	5.89	22.0	5.96	21.4	5.77	20.0	5.29
	-3.0	-3.7	23.1	5.76	23.1	5.24	22.8	5.90	22.1	5.66	21.4	5.43	20.0	4.99
	0.0	-0.7	24.9	5.92	24.2	5.14	22.8	5.35	22.1	5.14	21.4	4.94	20.0	4.54
	3.0	2.2	25.6	5.64	24.2	5.26	22.8	4.87	22.1	4.69	21.4	4.51	20.0	4.15
	5.0	4.1	25.6	5.31	24.2	4.94	22.8	4.59	22.1	4.42	21.4	4.25	20.0	3.91
	7.0	6.0	25.6	4.99	24.2	4.66	22.8	4.33	22.1	4.17	21.4	4.01	20.0	3.70
	9.0	7.9	25.6	4.70	24.2	4.38	22.8	4.08	22.1	3.93	21.4	3.79	20.0	3.49
	11.0	9.8	25.6	4.43	24.2	4.14	22.8	3.86	22.1	3.72	21.4	3.58	20.0	3.31
	13.0	11.8	25.6	4.17	24.2	3.90	22.8	3.63	22.1	3.51	21.4	3.38	20.0	3.12
15.0	13.7	25.6	3.94	24.2	3.68	22.8	3.44	22.1	3.31	21.4	3.20	20.0	2.97	
18.0	16.8	25.6	3.72	24.2	3.48	22.8	3.26	22.1	3.12	21.4	3.04	20.0	2.82	
20.0	18.5	25.6	3.52	24.2	3.29	22.8	3.10	22.1	2.95	21.4	2.88	20.0	2.69	
24.0	20.5	25.6	3.32	24.2	3.11	22.8	2.94	22.1	2.78	21.4	2.74	20.0	2.57	

Dc Inverter Multi VRF System Technical Sales Guide

Combination	Outdoor air temp		Indoor air temp °C DB											
			16		18		20		21		22		24	
	°C DB	°C WB	TC	PI	TC	PI	TC	PI	TC	PI	TC	PI	TC	PI
80%	-19.8	-20.0	16.4	5.12	16.3	5.26	16.3	5.42	16.3	5.49	16.2	5.57	16.2	5.71
	-18.8	-19.0	16.6	5.16	16.6	5.31	16.5	5.46	16.5	5.54	16.5	5.61	16.4	5.76
	-16.7	-17.0	17.2	5.27	17.1	5.41	17.1	5.56	17.1	5.63	17.1	5.70	17.0	5.84
	-13.7	-15.0	17.9	5.38	17.8	5.51	17.8	5.65	17.8	5.71	17.7	5.78	17.7	5.92
	-11.8	-13.0	18.6	5.49	18.6	5.62	18.5	5.75	18.5	5.81	18.5	5.88	18.0	5.72
	-9.8	-11.0	19.4	5.59	19.4	5.72	19.3	5.85	19.3	5.91	19.2	5.89	18.0	5.40
	-9.5	-10.0	19.9	5.65	19.8	5.77	19.8	5.89	19.8	5.96	19.2	5.72	18.0	5.24
	-8.5	-9.1	20.2	5.70	20.2	5.82	20.2	5.94	19.8	5.81	19.2	5.57	18.0	5.10
	-7.0	-7.6	20.9	5.78	20.9	5.90	20.4	5.77	19.8	5.54	19.2	5.32	18.0	4.90
	-5.0	-5.6	22.0	5.25	21.6	5.85	20.4	5.42	19.8	5.21	19.2	5.00	18.0	4.59
	-3.0	-3.7	22.8	5.28	21.6	5.51	20.4	5.10	19.8	4.93	19.2	4.72	18.0	4.34
	0.0	-0.7	22.8	5.37	21.6	5.00	20.4	4.65	19.8	4.47	19.2	4.30	18.0	3.96
	3.0	2.2	22.8	4.89	21.6	4.56	20.4	4.24	19.8	4.09	19.2	3.93	18.0	3.63
	5.0	4.1	22.8	4.61	21.6	4.30	20.4	4.00	19.8	3.86	19.2	3.72	18.0	3.43
	7.0	6.0	22.8	4.34	21.6	4.07	20.4	3.78	19.8	3.65	19.2	3.51	18.0	3.25
	9.0	7.9	22.8	4.10	21.6	3.83	20.4	3.59	19.8	3.44	19.2	3.32	18.0	3.07
	11.0	9.8	22.8	3.87	21.6	3.62	20.4	3.38	19.8	3.26	19.2	3.14	18.0	2.91
	13.0	11.8	22.8	3.65	21.6	3.42	20.4	3.19	19.8	3.08	19.2	2.97	18.0	2.76
15.0	13.7	22.8	3.45	21.6	3.24	20.4	3.03	19.8	2.92	19.2	2.82	18.0	2.62	
18.0	16.8	22.8	3.29	21.6	3.08	20.4	2.88	19.8	2.77	19.2	2.67	18.0	2.50	
20.0	18.5	22.8	3.16	21.6	2.95	20.4	2.76	19.8	2.65	19.2	2.55	18.0	2.39	
24.0	20.5	22.8	3.07	21.6	2.86	20.4	2.64	19.8	2.53	19.2	2.43	18.0	2.28	

Combination	Outdoor air temp		Indoor air temp °C DB											
			16		18		20		21		22		24	
	°C DB	°C WB	TC	PI	TC	PI	TC	PI	TC	PI	TC	PI	TC	PI
70%	-19.8	-20.0	16.3	5.45	16.2	5.57	16.2	5.71	16.2	5.77	16.2	5.84	15.8	5.78
	-18.8	-19.0	16.5	5.49	16.5	5.62	16.4	5.75	16.4	5.81	16.4	5.88	15.8	5.66
	-16.7	-17.0	17.1	5.58	17.1	5.71	17.0	5.83	17.0	5.89	16.9	5.89	15.8	5.40
	-13.7	-15.0	17.8	5.68	17.7	5.80	17.7	5.92	17.4	5.67	16.9	5.59	15.8	5.13
	-11.8	-13.0	18.5	5.77	18.5	5.89	18.0	5.75	17.4	5.52	16.9	5.30	15.8	4.86
	-9.8	-11.0	19.3	5.87	19.1	5.86	18.0	5.43	17.4	5.22	16.9	5.01	15.8	4.60
	-9.5	-10.0	19.8	5.92	19.1	5.69	18.0	5.27	17.4	5.07	16.9	4.87	15.8	4.47
	-8.5	-9.1	20.2	5.95	19.1	5.54	18.0	5.13	17.4	4.93	16.9	4.74	15.8	4.36
	-7.0	-7.6	20.2	5.68	19.1	5.29	18.0	4.91	17.4	4.72	16.9	4.54	15.8	4.17
	-5.0	-5.6	20.2	5.34	19.1	4.98	18.0	4.62	17.4	4.44	16.9	4.27	15.8	3.94
	-3.0	-3.7	20.2	5.03	19.1	4.69	18.0	4.36	17.4	4.19	16.9	4.03	15.8	3.72
	0.0	-0.7	20.2	4.58	19.1	4.30	18.0	3.98	17.4	3.83	16.9	3.69	15.8	3.41
	3.0	2.2	20.2	4.18	19.1	0.10	18.0	3.65	17.4	3.51	16.9	3.39	15.8	3.13
	5.0	4.1	20.2	3.95	19.1	3.69	18.0	3.45	17.4	3.32	16.9	3.21	15.8	2.97
	7.0	6.0	20.2	3.73	19.1	3.49	18.0	3.26	17.4	3.14	16.9	3.04	15.8	2.81
	9.0	7.9	20.2	3.53	19.1	3.30	18.0	3.09	17.4	2.98	16.9	2.88	15.8	2.67
	11.0	9.8	20.2	3.33	19.1	3.12	18.0	2.93	17.4	2.83	16.9	2.73	15.8	2.53
	13.0	11.8	20.2	3.15	19.1	2.96	18.0	2.77	17.4	2.68	16.9	2.58	15.8	2.41
15.0	13.7	20.2	2.98	19.1	2.81	18.0	2.63	17.4	2.55	16.9	2.46	15.8	2.29	
18.0	16.8	20.2	2.83	19.1	2.67	18.0	2.50	17.4	2.42	16.9	2.34	15.8	2.19	
20.0	18.5	20.2	2.70	19.1	2.54	18.0	2.39	17.4	2.32	16.9	2.24	15.8	2.10	
24.0	20.5	20.2	2.58	19.1	2.42	18.0	2.29	17.4	2.22	16.9	2.16	15.8	2.02	

Dc Inverter Multi VRF System Technical Sales Guide

Combination	Outdoor air temp		Indoor air temp °C DB											
			16		18		20		21		22		24	
	°C DB	°C WB	TC	PI	TC	PI	TC	PI	TC	PI	TC	PI	TC	PI
			kW	kW	kW	kW	kW	kW	kW	kW	kW	kW	kW	kW
60%	-19.8	-20.0	16.2	5.78	16.1	5.89	15.6	5.66	15.1	5.44	14.7	5.22	13.8	4.79
	-18.8	-19.0	16.4	5.82	16.4	5.92	15.6	5.54	15.1	5.33	14.7	5.11	13.8	4.69
	-16.7	-17.0	17.0	5.89	16.5	5.71	15.6	5.29	15.1	5.08	14.7	4.88	13.8	4.49
	-13.7	-15.0	17.4	5.83	16.5	5.42	15.6	5.03	15.1	4.84	14.7	4.65	13.8	4.27
	-11.8	-13.0	17.4	5.52	16.5	5.14	15.6	4.77	15.1	4.59	14.7	4.41	13.8	4.06
	-9.8	-11.0	17.4	5.21	16.5	4.86	15.6	4.51	15.1	4.34	14.7	4.17	13.8	3.85
	-9.5	-10.0	17.4	5.07	16.5	4.72	15.6	4.38	15.1	4.23	14.7	4.06	13.8	3.74
	-8.5	-9.1	17.4	4.93	16.5	4.60	15.6	4.28	15.1	4.12	14.7	3.96	13.8	3.65
	-7.0	-7.6	17.4	4.72	16.5	4.40	15.6	4.09	15.1	3.95	14.7	3.79	13.8	3.51
	-5.0	-5.6	17.4	4.44	16.5	4.15	15.6	3.86	15.1	3.72	14.7	3.58	13.8	3.32
	-3.0	-3.7	17.4	4.19	16.5	3.92	15.6	3.67	15.1	3.53	14.7	3.39	13.8	3.14
	0.0	-0.7	17.4	3.83	16.5	3.59	15.6	3.35	15.1	3.23	14.7	3.11	13.8	2.88
	3.0	2.2	17.4	3.51	16.5	3.30	15.6	3.08	15.1	2.97	14.7	2.87	13.8	0.11
	5.0	4.1	17.4	3.32	16.5	3.12	15.6	2.91	15.1	2.82	14.7	2.72	13.8	2.53
	7.0	6.0	17.4	3.14	16.5	2.95	15.6	2.76	15.1	2.67	14.7	2.58	13.8	2.40
	9.0	7.9	17.4	2.98	16.5	2.80	15.6	2.62	15.1	2.54	14.7	2.45	13.8	2.28
	11.0	9.8	17.4	2.83	16.5	2.66	15.6	2.49	15.1	2.41	14.7	2.33	13.8	2.18
13.0	11.8	17.4	2.67	16.5	2.52	15.6	2.37	15.1	2.29	14.7	2.21	13.8	2.07	
15.0	13.7	17.4	2.55	16.5	2.39	15.6	2.25	15.1	2.18	14.7	2.11	13.8	1.97	
18.0	16.8	17.4	2.43	16.5	2.28	15.6	2.15	15.1	2.09	14.7	2.02	13.8	1.89	
20.0	18.5	17.4	2.33	16.5	2.18	15.6	2.06	15.1	2.00	14.7	1.95	13.8	1.82	
24.0	20.5	17.4	2.24	16.5	2.09	15.6	1.99	15.1	1.93	14.7	1.88	13.8	1.76	

Combination	Outdoor air temp		Indoor air temp °C DB											
			16		18		20		21		22		24	
	°C DB	°C WB	TC	PI	TC	PI	TC	PI	TC	PI	TC	PI	TC	PI
50%	-19.8	-20.0	14.8	5.26	14.0	4.89	13.2	4.54	12.8	4.38	12.4	4.21	11.6	3.88
	-18.8	-19.0	14.8	5.14	14.0	4.79	13.2	4.45	12.8	4.28	12.4	4.12	11.6	3.80
	-16.7	-17.0	14.8	4.91	14.0	4.58	13.2	4.26	12.8	4.10	12.4	3.95	11.6	3.64
	-13.7	-15.0	14.8	4.67	14.0	4.36	13.2	4.05	12.8	3.91	12.4	3.76	11.6	3.47
	-11.8	-13.0	14.8	4.44	14.0	4.15	13.2	3.86	12.8	3.72	12.4	3.58	11.6	3.31
	-9.8	-11.0	14.8	4.20	14.0	3.93	13.2	3.66	12.8	3.53	12.4	3.40	11.6	3.14
	-9.5	-10.0	14.8	4.09	14.0	3.82	13.2	3.56	12.8	3.44	12.4	3.31	11.6	3.06
	-8.5	-9.1	14.8	3.98	14.0	3.73	13.2	3.47	12.8	3.35	12.4	3.23	11.6	2.99
	-7.0	-7.6	14.8	3.82	14.0	3.59	13.2	3.33	12.8	3.22	12.4	3.11	11.6	2.88
	-5.0	-5.6	14.8	3.60	14.0	3.38	13.2	3.16	12.8	3.05	12.4	2.94	11.6	2.72
	-3.0	-3.7	14.8	3.41	14.0	3.20	13.2	2.99	12.8	2.89	12.4	2.79	11.6	2.59
	0.0	-0.7	14.8	3.13	14.0	2.94	13.2	2.76	12.8	2.66	12.4	2.57	11.6	2.39
	3.0	2.2	14.8	2.88	14.0	2.71	13.2	2.54	12.8	2.46	12.4	2.38	11.6	2.21
	5.0	4.1	14.8	2.74	14.0	2.57	13.2	2.41	12.8	2.34	12.4	2.26	11.6	2.11
	7.0	6.0	14.8	2.60	14.0	2.44	13.2	2.30	12.8	2.22	12.4	2.15	11.6	2.01
	9.0	7.9	14.8	2.46	14.0	2.32	13.2	2.18	12.8	2.12	12.4	2.05	11.6	1.92
	11.0	9.8	14.8	2.34	14.0	2.21	13.2	2.08	12.8	2.02	12.4	1.95	11.6	1.83
	13.0	11.8	14.8	2.23	14.0	2.10	13.2	1.98	12.8	1.92	12.4	1.86	11.6	1.74
15.0	13.7	14.8	2.12	14.0	2.00	13.2	1.89	12.8	1.83	12.4	1.78	11.6	1.66	
18.0	16.8	14.8	2.02	14.0	1.92	13.2	1.81	12.8	1.76	12.4	1.70	11.6	1.58	
20.0	18.5	14.8	1.92	14.0	1.83	13.2	1.74	12.8	1.69	12.4	1.63	11.6	1.51	
24.0	20.5	14.8	1.83	14.0	1.76	13.2	1.62	12.8	1.64	12.4	1.57	11.6	1.45	

Dc Inverter Multi VRF System Technical Sales Guide

GMV-280WL/C-X

TC—Total capacity of outdoor unit; PI—Power input of outdoor unit

Combination	Outdoor air temp		Indoor air temp °C DB											
			16		18		20		21		22		24	
	°C DB	°C WB	TC	PI	TC	PI	TC	PI	TC	PI	TC	PI	TC	PI
135%	-19.8	-20.0	19.4	4.32	19.3	4.63	19.2	4.94	19.2	5.09	19.1	5.24	19.1	5.55
	-18.8	-19.0	19.7	4.42	19.6	4.72	19.6	5.02	19.5	5.17	19.5	5.32	19.4	5.62
	-16.7	-17.0	20.5	4.63	20.4	4.91	20.3	5.21	20.3	5.33	20.3	5.49	20.2	5.79
	-13.7	-15.0	21.3	4.84	21.2	5.12	21.1	5.40	21.1	5.53	21.0	5.67	21.0	5.95
	-11.8	-13.0	22.2	5.05	22.2	5.33	22.1	5.59	22.0	5.72	22.0	5.86	21.9	6.12
	-9.8	-11.0	23.2	5.28	23.1	5.53	23.0	5.79	23.0	5.91	23.0	6.04	23.0	6.29
	-9.5	-10.0	23.8	5.39	23.7	5.64	23.6	5.88	23.6	6.01	23.5	6.13	23.5	6.37
	-8.5	-9.1	24.3	5.48	24.2	5.72	24.2	5.97	24.1	6.09	24.1	6.21	24.0	6.45
	-7.0	-7.6	25.1	5.64	25.1	5.88	25.0	6.11	25.0	6.23	25.0	6.34	24.9	6.58
	-5.0	-5.6	26.5	5.86	26.4	5.96	26.3	6.30	26.3	6.41	26.2	6.52	26.2	6.74
	-3.0	-3.7	27.7	6.05	27.6	6.26	27.6	6.47	27.5	6.58	27.5	6.68	27.4	6.89
	0.0	-0.7	29.9	6.34	29.9	6.54	29.8	6.73	29.8	6.83	29.7	6.93	29.7	7.12
	3.0	2.2	32.3	6.60	32.2	6.79	32.1	6.97	32.1	7.06	32.1	7.15	32.0	7.33
	5.0	4.1	33.9	6.77	33.8	6.95	33.8	7.11	33.7	7.20	33.7	7.29	33.6	7.46
	7.0	6.0	35.6	6.93	35.5	7.09	35.5	7.26	35.4	7.34	35.4	7.42	34.0	7.12
	9.0	7.9	37.4	7.07	37.3	7.23	37.3	7.38	37.2	7.46	36.5	7.31	34.0	6.69
	11.0	9.8	39.3	7.22	39.2	7.36	39.0	7.46	37.7	7.16	36.5	6.87	34.0	6.30
	13.0	11.8	41.4	7.35	41.3	7.50	39.0	6.99	37.7	6.71	36.5	6.45	34.0	5.91
15.0	13.7	43.4	7.48	41.5	7.10	39.0	6.58	37.7	6.33	36.5	6.07	34.0	5.58	
18.0	16.8	43.4	7.08	41.5	6.76	39.0	6.24	37.7	6.01	36.5	5.74	34.0	5.30	
20.0	18.5	43.4	6.74	41.5	6.45	39.0	5.95	37.7	5.74	36.5	5.45	34.0	5.06	
24.0	20.5	43.4	6.45	41.5	6.21	39.0	5.72	37.7	5.52	36.5	5.21	34.0	4.88	

Combination	Outdoor air temp		Indoor air temp °C DB											
			16		18		20		21		22		24	
	°C DB	°C WB	TC	PI	TC	PI	TC	PI	TC	PI	TC	PI	TC	PI
120%	-19.8	-20.0	19.3	4.74	19.2	5.02	19.1	5.30	19.1	5.44	19.1	5.58	19.0	5.87
	-18.8	-19.0	19.6	4.82	19.5	5.10	19.5	5.33	19.4	5.52	19.4	5.66	19.3	5.94
	-16.7	-17.0	20.4	5.02	20.3	5.29	20.3	5.55	20.2	5.68	20.2	5.82	20.1	6.08
	-13.7	-15.0	21.2	5.21	21.1	5.47	21.0	5.72	21.0	5.86	21.0	5.98	21.0	6.24
	-11.8	-13.0	22.1	5.41	22.1	5.66	22.0	5.91	22.0	6.03	21.9	6.15	21.9	6.40
	-9.8	-11.0	23.1	5.62	23.0	5.85	23.0	6.09	23.0	6.21	23.0	6.32	22.9	6.57
	-9.5	-10.0	23.7	5.72	23.6	5.95	23.5	6.18	23.5	6.29	23.5	6.36	23.4	6.64
	-8.5	-9.1	24.2	5.81	24.1	6.03	24.1	6.26	24.0	6.37	24.0	6.49	23.9	6.71
	-7.0	-7.6	25.0	5.96	25.0	6.18	25.0	6.39	25.0	6.50	24.9	6.60	24.9	6.82
	-5.0	-5.6	26.4	6.15	26.3	6.36	26.2	6.57	26.2	6.67	26.2	6.77	26.1	6.97
	-3.0	-3.7	27.6	6.33	27.6	6.53	27.5	6.72	27.5	6.82	27.4	6.92	27.4	7.11
	0.0	-0.7	29.8	6.60	29.8	6.79	29.7	7.05	29.7	7.06	29.6	7.15	29.6	7.33
	3.0	2.2	32.2	6.85	32.1	7.02	32.1	7.19	32.0	7.27	32.0	7.35	31.3	7.31
	5.0	4.1	33.8	7.00	33.7	7.16	33.7	7.32	33.6	7.40	33.6	7.48	31.3	6.87
	7.0	6.0	35.5	7.15	35.5	7.30	35.4	7.45	34.9	7.34	33.7	7.04	31.3	6.46
	9.0	7.9	37.3	7.29	37.2	7.43	36.0	7.19	34.9	6.90	33.7	6.62	31.3	6.08
	11.0	9.8	39.2	7.42	38.3	7.29	36.0	6.76	34.9	6.49	33.7	6.23	31.3	5.73
13.0	11.8	40.7	7.34	38.3	6.84	36.0	6.33	34.9	6.10	33.7	5.86	31.3	5.39	
15.0	13.7	40.7	6.91	38.3	6.44	36.0	5.98	34.9	5.75	33.7	5.52	31.3	5.09	
18.0	16.8	40.7	6.53	38.3	6.10	36.0	5.67	34.9	5.44	33.7	5.23	31.3	4.82	
20.0	18.5	40.7	6.19	38.3	5.82	36.0	5.43	34.9	5.19	33.7	4.98	31.3	4.59	
24.0	20.5	40.7	5.89	38.3	5.58	36.0	5.23	34.9	4.98	33.7	4.78	31.3	4.40	

Dc Inverter Multi VRF System Technical Sales Guide

Combination	Outdoor air temp		Indoor air temp °C DB											
			16		18		20		21		22		24	
	°C DB	°C WB	TC	PI	TC	PI	TC	PI	TC	PI	TC	PI	TC	PI
110%	-19.8	-20.0	19.2	5.15	19.1	5.40	19.0	5.67	19.0	5.79	19.0	5.92	19.0	6.18
	-18.8	-19.0	19.5	5.23	19.5	5.48	19.4	5.74	19.4	5.87	19.3	5.99	19.3	6.25
	-16.7	-17.0	20.3	5.40	20.2	5.65	20.2	5.90	20.1	6.02	20.1	6.14	20.0	6.38
	-13.7	-15.0	21.1	5.59	21.0	5.83	21.0	6.06	21.0	6.18	21.0	6.29	20.9	6.53
	-11.8	-13.0	22.0	5.78	22.0	6.00	21.9	6.22	21.9	6.33	21.8	6.45	21.8	6.68
	-9.8	-11.0	23.0	5.96	23.0	6.18	23.0	6.39	22.9	6.50	22.9	6.60	22.9	6.82
	-9.5	-10.0	23.6	6.06	23.5	6.26	23.4	6.48	23.4	6.58	23.4	6.68	23.3	6.89
	-8.5	-9.1	24.1	6.14	24.0	6.34	24.0	6.55	24.0	6.65	23.9	6.76	23.9	6.95
	-7.0	-7.6	25.0	6.28	25.0	6.47	24.9	6.67	24.9	6.77	25.1	6.87	24.8	7.07
	-5.0	-5.6	26.3	6.45	26.2	6.64	26.1	6.83	26.1	6.92	27.3	7.02	26.0	7.21
	-3.0	-3.7	27.5	6.62	27.5	6.80	27.4	6.98	27.4	7.07	29.6	7.15	27.3	7.34
	0.0	-0.7	29.7	6.87	29.7	7.03	29.6	7.20	29.6	7.28	30.9	7.37	28.8	7.22
	3.0	2.2	32.1	7.10	32.0	7.25	32.0	7.40	31.9	7.47	30.9	7.17	28.8	6.57
	5.0	4.1	33.7	7.23	33.7	7.38	33.0	7.31	31.9	7.02	30.9	6.74	28.8	6.18
	7.0	6.0	35.4	7.37	35.1	7.42	33.0	6.87	31.9	6.60	30.9	6.33	28.8	5.82
	9.0	7.9	37.2	7.49	35.1	6.97	33.0	6.46	31.9	6.21	30.9	5.96	28.8	5.48
	11.0	9.8	37.2	7.04	35.1	6.56	33.0	6.08	31.9	5.85	30.9	5.62	28.8	5.17
13.0	11.8	37.2	6.60	35.1	6.15	33.0	5.71	31.9	5.50	30.9	5.29	28.8	4.87	
15.0	13.7	37.2	6.22	35.1	5.80	33.0	5.40	31.9	5.19	30.9	5.00	28.8	4.61	
18.0	16.8	37.2	5.89	35.1	5.50	33.0	4.92	31.9	4.92	30.9	4.76	28.8	4.39	
20.0	18.5	37.2	5.59	35.1	5.23	33.0	4.67	31.9	4.68	30.9	4.56	28.8	4.20	
24.0	20.5	37.2	5.33	35.1	4.99	33.0	4.44	31.9	4.48	30.9	4.40	28.8	4.04	

Combination	Outdoor air temp		Indoor air temp °C DB											
			16		18		20		21		22		24	
	°C DB	°C WB	TC	PI	TC	PI	TC	PI	TC	PI	TC	PI	TC	PI
100%	-19.8	-20.0	19.1	5.56	19.0	5.79	19.0	6.03	19.0	6.15	19.0	6.26	18.9	6.50
	-18.8	-19.0	19.4	5.64	19.4	5.87	19.3	6.10	19.3	6.22	19.2	6.33	19.2	6.57
	-16.7	-17.0	20.2	5.79	20.1	6.02	20.1	6.24	20.1	6.35	20.0	6.46	20.0	6.68
	-13.7	-15.0	21.0	5.96	21.0	6.18	21.0	6.39	20.9	6.50	20.9	6.60	20.8	6.82
	-11.8	-13.0	21.9	6.14	21.9	6.33	21.8	6.54	21.8	6.64	21.8	6.51	21.7	6.95
	-9.8	-11.0	23.0	6.30	22.9	6.50	22.9	6.69	22.9	6.80	22.8	6.89	22.8	7.08
	-9.5	-10.0	23.5	6.39	23.4	6.58	23.4	6.77	23.3	6.87	23.3	6.96	23.2	7.15
	-8.5	-9.1	24.0	6.46	24.0	6.65	23.9	6.84	23.9	6.93	23.8	7.03	23.8	7.21
	-7.0	-7.6	24.9	6.59	24.9	6.77	24.8	6.95	24.8	7.04	24.8	7.13	24.7	7.31
	-5.0	-5.6	26.2	6.76	26.1	6.92	26.1	7.10	26.0	7.19	26.0	7.26	26.0	7.44
	-3.0	-3.7	27.4	6.91	27.4	7.07	27.3	7.23	27.3	7.31	27.3	7.39	26.2	7.08
	0.0	-0.7	29.6	7.14	29.6	7.28	29.5	7.43	29.0	7.31	28.1	7.01	26.2	6.44
	3.0	2.2	32.0	7.34	31.9	7.47	30.0	6.91	29.0	6.64	28.1	6.38	26.2	5.86
	5.0	4.1	33.6	7.47	31.9	7.02	30.0	6.50	29.0	6.26	28.1	6.01	26.2	5.52
	7.0	6.0	33.8	7.09	31.9	6.60	30.0	6.12	29.0	5.89	28.1	5.66	26.2	5.21
	9.0	7.9	33.8	6.66	31.9	6.21	30.0	5.76	29.0	5.55	28.1	5.33	26.2	4.91
	11.0	9.8	33.8	6.27	31.9	5.85	30.0	5.44	29.0	5.23	28.1	5.03	26.2	4.64
	13.0	11.8	33.8	5.89	31.9	5.50	30.0	5.12	29.0	4.93	28.1	4.74	26.2	4.38
15.0	13.7	33.8	5.56	31.9	5.19	30.0	4.83	29.0	4.66	28.1	4.48	26.2	4.15	
18.0	16.8	33.8	5.24	31.9	4.95	30.0	4.67	29.0	4.42	28.1	4.24	26.2	3.95	
20.0	18.5	33.8	4.94	31.9	4.75	30.0	4.48	29.0	4.22	28.1	4.05	26.2	3.79	
24.0	20.5	33.8	4.67	31.9	4.59	30.0	4.31	29.0	4.06	28.1	3.89	26.2	3.67	

Dc Inverter Multi VRF System Technical Sales Guide

Combination	Outdoor air temp		Indoor air temp °C DB											
			16		18		20		21		22		24	
	°C DB	°C WB	TC	PI	TC	PI	TC	PI	TC	PI	TC	PI	TC	PI
90%	-19.8	-20.0	20.5	5.98	20.5	6.18	20.5	6.40	20.4	6.50	20.4	6.61	20.4	6.82
	-18.8	-19.0	20.8	6.04	20.8	6.26	20.7	6.46	20.7	6.57	20.7	6.67	20.6	6.88
	-16.7	-17.0	21.6	6.19	21.5	6.39	21.5	6.59	21.5	6.69	21.4	6.79	21.4	6.99
	-13.7	-15.0	22.5	6.34	22.4	6.53	22.4	6.72	22.3	6.76	22.3	6.91	22.3	7.11
	-11.8	-13.0	23.3	6.49	23.3	6.68	23.2	6.86	23.2	6.95	23.2	7.04	23.1	7.22
	-9.8	-11.0	24.4	6.64	24.4	6.82	24.3	6.99	24.3	7.09	24.3	7.18	24.2	7.35
	-9.5	-10.0	24.9	6.72	24.8	6.90	24.8	7.07	24.7	7.15	24.7	7.24	24.7	7.41
	-8.5	-9.1	25.4	6.80	25.4	6.96	25.3	7.13	25.3	7.21	25.3	7.30	25.0	7.37
	-7.0	-7.6	26.3	6.91	26.3	7.07	26.2	7.23	26.2	7.31	26.2	7.39	25.0	7.03
	-5.0	-5.6	27.6	7.06	27.5	7.21	27.5	7.36	27.5	7.44	26.7	7.21	25.0	6.61
	-3.0	-3.7	28.8	7.19	28.8	6.54	28.5	7.37	27.6	7.07	26.7	6.79	25.0	6.23
	0.0	-0.7	31.1	7.40	30.3	6.42	28.5	6.68	27.6	6.42	26.7	6.17	25.0	5.67
	3.0	2.2	32.0	7.05	30.3	6.57	28.5	6.09	27.6	5.86	26.7	5.63	25.0	5.18
	5.0	4.1	32.0	6.63	30.3	6.18	28.5	5.74	27.6	5.52	26.7	5.31	25.0	4.89
	7.0	6.0	32.0	6.23	30.3	5.82	28.5	5.40	27.6	5.21	26.7	5.01	25.0	4.62
	9.0	7.9	32.0	5.87	30.3	5.48	28.5	5.09	27.6	4.91	26.7	4.73	25.0	4.36
	11.0	9.8	32.0	5.53	30.3	5.17	28.5	4.82	27.6	4.64	26.7	4.47	25.0	4.13
	13.0	11.8	32.0	5.21	30.3	4.87	28.5	4.54	27.6	4.38	26.7	4.22	25.0	3.90
	15.0	13.7	32.0	4.92	30.3	4.60	28.5	4.30	27.6	4.13	26.7	4.00	25.0	3.70
	18.0	16.8	32.0	4.65	30.3	4.35	28.5	4.08	27.6	3.90	26.7	3.79	25.0	3.52
20.0	18.5	32.0	4.40	30.3	4.11	28.5	3.87	27.6	3.68	26.7	3.60	25.0	3.36	
24.0	20.5	32.0	4.15	30.3	3.88	28.5	3.67	27.6	3.47	26.7	3.42	25.0	3.21	

Combination	Outdoor air temp		Indoor air temp °C DB											
			16		18		20		21		22		24	
	°C DB	°C WB	TC	PI	TC	PI	TC	PI	TC	PI	TC	PI	TC	PI
80%	-19.8	-20.0	20.5	6.39	20.4	6.57	20.4	6.76	20.4	6.86	20.3	6.95	20.3	7.14
	-18.8	-19.0	20.7	6.45	20.7	6.64	20.6	6.82	20.6	6.91	20.6	7.00	20.5	7.19
	-16.7	-17.0	21.5	6.58	21.4	6.76	21.4	6.94	21.4	7.03	21.4	7.11	21.3	7.29
	-13.7	-15.0	22.4	6.72	22.3	6.88	22.3	7.06	22.3	7.14	22.2	7.22	22.2	7.40
	-11.8	-13.0	23.2	6.85	23.2	7.02	23.1	7.18	23.1	7.26	23.1	7.34	22.5	7.15
	-9.8	-11.0	24.3	6.99	24.3	7.15	24.2	7.30	24.2	7.38	24.0	7.36	22.5	6.75
	-9.5	-10.0	24.8	7.06	24.7	7.21	24.7	7.36	24.7	7.44	24.0	7.15	22.5	6.55
	-8.5	-9.1	25.3	7.12	25.3	7.27	25.2	7.42	24.7	7.26	24.0	6.95	22.5	6.37
	-7.0	-7.6	26.2	7.22	26.2	7.37	25.5	7.21	24.7	6.92	24.0	6.64	22.5	6.12
	-5.0	-5.6	27.5	6.56	27.0	7.31	25.5	6.77	24.7	6.51	24.0	6.25	22.5	5.74
	-3.0	-3.7	28.5	6.60	27.0	6.88	25.5	6.37	24.7	6.16	24.0	5.89	22.5	5.42
	0.0	-0.7	28.5	6.71	27.0	6.25	25.5	5.80	24.7	5.59	24.0	5.36	22.5	4.94
	3.0	2.2	28.5	6.11	27.0	5.70	25.5	5.30	24.7	5.10	24.0	4.91	22.5	4.53
	5.0	4.1	28.5	5.75	27.0	5.37	25.5	5.00	24.7	4.82	24.0	4.64	22.5	4.28
	7.0	6.0	28.5	5.42	27.0	5.08	25.5	4.72	24.7	4.55	24.0	4.39	22.5	4.05
	9.0	7.9	28.5	5.12	27.0	4.78	25.5	4.48	24.7	4.30	24.0	4.15	22.5	3.84
	11.0	9.8	28.5	4.83	27.0	4.52	25.5	4.22	24.7	4.07	24.0	3.93	22.5	3.64
	13.0	11.8	28.5	4.55	27.0	4.27	25.5	3.99	24.7	3.85	24.0	3.71	22.5	3.44
	15.0	13.7	28.5	4.31	27.0	4.05	25.5	3.78	24.7	3.65	24.0	3.52	22.5	3.27
18.0	16.8	28.5	4.11	27.0	3.85	25.5	3.60	24.7	3.47	24.0	3.34	22.5	3.12	
20.0	18.5	28.5	3.95	27.0	3.69	25.5	3.44	24.7	3.31	24.0	3.18	22.5	2.98	
24.0	20.5	28.5	3.83	27.0	3.57	25.5	3.30	24.7	3.16	24.0	3.04	22.5	2.85	

Dc Inverter Multi VRF System Technical Sales Guide

Combination	Outdoor air temp		Indoor air temp °C DB											
			16		18		20		21		22		24	
	°C DB	°C WB	TC	PI	TC	PI	TC	PI	TC	PI	TC	PI	TC	PI
70%	-19.8	-20.0	20.4	6.80	20.3	6.96	20.3	7.13	20.3	7.21	20.3	7.30	19.8	7.22
	-18.8	-19.0	20.6	6.86	20.6	7.02	20.5	7.18	20.5	7.26	20.5	7.34	19.8	7.07
	-16.7	-17.0	21.4	6.97	21.4	7.13	21.3	7.28	21.3	7.36	21.1	7.35	19.8	6.74
	-13.7	-15.0	22.3	7.09	22.2	7.24	22.2	7.39	21.8	7.09	21.1	6.99	19.8	6.41
	-11.8	-13.0	23.1	7.21	23.1	7.35	22.5	7.18	21.8	6.90	21.1	6.62	19.8	6.07
	-9.8	-11.0	24.2	7.33	23.9	7.32	22.5	6.78	21.8	6.52	21.1	6.26	19.8	5.75
	-9.5	-10.0	24.7	7.39	23.9	7.11	22.5	6.58	21.8	6.33	21.1	6.08	19.8	5.59
	-8.5	-9.1	25.2	7.43	23.9	6.91	22.5	6.41	21.8	6.16	21.1	5.92	19.8	5.44
	-7.0	-7.6	25.2	7.10	23.9	6.60	22.5	6.13	21.8	5.90	21.1	5.67	19.8	5.21
	-5.0	-5.6	25.2	6.67	23.9	6.22	22.5	5.77	21.8	5.55	21.1	5.33	19.8	4.92
	-3.0	-3.7	25.2	6.28	23.9	5.86	22.5	5.44	21.8	5.24	21.1	5.04	19.8	4.65
	0.0	-0.7	25.2	5.71	23.9	5.36	22.5	4.97	21.8	4.78	21.1	4.61	19.8	4.26
	3.0	2.2	25.2	5.22	23.9	0.12	22.5	4.55	21.8	4.39	21.1	4.23	19.8	3.91
	5.0	4.1	25.2	4.93	23.9	4.61	22.5	4.31	21.8	4.15	21.1	4.01	19.8	3.70
	7.0	6.0	25.2	4.66	23.9	4.36	22.5	4.07	21.8	3.93	21.1	3.79	19.8	3.51
	9.0	7.9	25.2	4.40	23.9	4.13	22.5	3.85	21.8	3.72	21.1	3.59	19.8	3.33
	11.0	9.8	25.2	4.16	23.9	3.90	22.5	3.66	21.8	3.53	21.1	3.41	19.8	3.16
	13.0	11.8	25.2	3.93	23.9	3.70	22.5	3.46	21.8	3.35	21.1	3.23	19.8	3.00
15.0	13.7	25.2	3.73	23.9	3.51	22.5	3.28	21.8	3.18	21.1	3.07	19.8	2.86	
18.0	16.8	25.2	3.54	23.9	3.33	22.5	3.12	21.8	3.03	21.1	2.92	19.8	2.73	
20.0	18.5	25.2	3.37	23.9	3.17	22.5	2.98	21.8	2.89	21.1	2.80	19.8	2.62	
24.0	20.5	25.2	3.22	23.9	3.03	22.5	2.86	21.8	2.77	21.1	2.69	19.8	2.53	

Combination	Outdoor air temp		Indoor air temp °C DB											
			16		18		20		21		22		24	
	°C DB	°C WB	TC	PI	TC	PI	TC	PI	TC	PI	TC	PI	TC	PI
60%	-19.8	-20.0	20.3	7.22	20.2	7.35	19.5	7.07	18.9	6.80	18.4	6.53	17.2	5.98
	-18.8	-19.0	20.5	7.26	20.5	7.40	19.5	6.92	18.9	6.65	18.4	6.38	17.2	5.86
	-16.7	-17.0	21.3	7.36	20.6	7.13	19.5	6.60	18.9	6.35	18.4	6.10	17.2	5.60
	-13.7	-15.0	21.8	7.28	20.6	6.77	19.5	6.28	18.9	6.04	18.4	5.80	17.2	5.33
	-11.8	-13.0	21.8	6.89	20.6	6.41	19.5	5.95	18.9	5.73	18.4	5.51	17.2	5.07
	-9.8	-11.0	21.8	6.51	20.6	6.06	19.5	5.64	18.9	5.42	18.4	5.21	17.2	4.81
	-9.5	-10.0	21.8	6.33	20.6	5.90	19.5	5.48	18.9	5.28	18.4	5.07	17.2	4.67
	-8.5	-9.1	21.8	6.16	20.6	5.75	19.5	5.34	18.9	5.14	18.4	4.94	17.2	4.56
	-7.0	-7.6	21.8	5.89	20.6	5.50	19.5	5.11	18.9	4.93	18.4	4.74	17.2	4.38
	-5.0	-5.6	21.8	5.55	20.6	5.18	19.5	4.82	18.9	4.65	18.4	4.47	17.2	4.14
	-3.0	-3.7	21.8	5.24	20.6	4.90	19.5	4.58	18.9	4.40	18.4	4.24	17.2	3.92
	0.0	-0.7	21.8	4.78	20.6	4.48	19.5	4.18	18.9	4.04	18.4	3.89	17.2	3.60
	3.0	2.2	21.8	4.39	20.6	4.12	19.5	3.85	18.9	3.71	18.4	3.58	17.2	0.14
	5.0	4.1	21.8	4.15	20.6	3.89	19.5	3.64	18.9	3.52	18.4	3.39	17.2	3.16
	7.0	6.0	21.8	3.93	20.6	3.69	19.5	3.45	18.9	3.34	18.4	3.23	17.2	3.00
	9.0	7.9	21.8	3.72	20.6	3.50	19.5	3.27	18.9	3.17	18.4	3.06	17.2	2.85
	11.0	9.8	21.8	3.53	20.6	3.32	19.5	3.12	18.9	3.01	18.4	2.91	17.2	2.72
	13.0	11.8	21.8	3.34	20.6	3.15	19.5	2.96	18.9	2.86	18.4	2.77	17.2	2.58
15.0	13.7	21.8	3.18	20.6	2.99	19.5	2.81	18.9	2.73	18.4	2.64	17.2	2.46	
18.0	16.8	21.8	3.04	20.6	2.85	19.5	2.69	18.9	2.61	18.4	2.53	17.2	2.36	
20.0	18.5	21.8	2.91	20.6	2.72	19.5	2.58	18.9	2.50	18.4	2.43	17.2	2.27	
24.0	20.5	21.8	2.80	20.6	2.61	19.5	2.48	18.9	2.42	18.4	2.35	17.2	2.19	

Dc Inverter Multi VRF System Technical Sales Guide

Combination	Outdoor air temp		Indoor air temp °C DB											
			16		18		20		21		22		24	
	°C DB	°C WB	TC	PI	TC	PI	TC	PI	TC	PI	TC	PI	TC	PI
50%	-19.8	-20.0	18.5	6.57	17.5	6.11	16.5	5.67	16.0	5.47	15.5	5.25	14.5	4.84
	-18.8	-19.0	18.5	6.42	17.5	5.98	16.5	5.56	16.0	5.35	15.5	5.14	14.5	4.74
	-16.7	-17.0	18.5	6.13	17.5	5.71	16.5	5.32	16.0	5.12	15.5	4.93	14.5	4.55
	-13.7	-15.0	18.5	5.83	17.5	5.44	16.5	5.06	16.0	4.88	15.5	4.70	14.5	4.34
	-11.8	-13.0	18.5	5.54	17.5	5.18	16.5	4.82	16.0	4.64	15.5	4.47	14.5	4.13
	-9.8	-11.0	18.5	5.25	17.5	4.90	16.5	4.57	16.0	4.40	15.5	4.24	14.5	3.93
	-9.5	-10.0	18.5	5.10	17.5	4.77	16.5	4.45	16.0	4.29	15.5	4.13	14.5	3.82
	-8.5	-9.1	18.5	4.98	17.5	4.66	16.5	4.34	16.0	4.19	15.5	4.04	14.5	3.74
	-7.0	-7.6	18.5	4.77	17.5	4.48	16.5	4.16	16.0	4.02	15.5	3.88	14.5	3.59
	-5.0	-5.6	18.5	4.50	17.5	4.22	16.5	3.94	16.0	3.81	15.5	3.67	14.5	3.40
	-3.0	-3.7	18.5	4.26	17.5	4.00	16.5	3.74	16.0	3.61	15.5	3.48	14.5	3.23
	0.0	-0.7	18.5	3.91	17.5	3.67	16.5	3.44	16.0	3.32	15.5	3.21	14.5	2.99
	3.0	2.2	18.5	3.60	17.5	3.39	16.5	3.17	16.0	3.07	15.5	2.97	14.5	2.77
	5.0	4.1	18.5	3.42	17.5	3.21	16.5	3.01	16.0	2.92	15.5	2.82	14.5	2.63
	7.0	6.0	18.5	3.24	17.5	3.05	16.5	2.87	16.0	2.77	15.5	2.69	14.5	2.51
	9.0	7.9	18.5	3.08	17.5	2.90	16.5	2.73	16.0	2.65	15.5	2.56	14.5	2.39
	11.0	9.8	18.5	2.92	17.5	2.76	16.5	2.60	16.0	2.52	15.5	2.44	14.5	2.28
	13.0	11.8	18.5	2.78	17.5	2.62	16.5	2.47	16.0	2.40	15.5	2.32	14.5	2.18
15.0	13.7	18.5	2.65	17.5	2.50	16.5	2.36	16.0	2.29	15.5	2.22	14.5	2.07	
18.0	16.8	18.5	2.52	17.5	2.39	16.5	2.27	16.0	2.19	15.5	2.12	14.5	1.98	
20.0	18.5	18.5	2.40	17.5	2.29	16.5	2.18	16.0	2.11	15.5	2.03	14.5	1.89	
24.0	20.5	18.5	2.29	17.5	2.19	16.5	2.03	16.0	2.04	15.5	1.96	14.5	1.81	

GMV-280WL/C1-X

TC—Total capacity of outdoor unit; PI—Power input of outdoor unit

Combination	Outdoor air temp		Indoor air temp °C DB											
			16		18		20		21		22		24	
	°CDB	°CWB	TC	PI	TC	PI	TC	PI	TC	PI	TC	PI	TC	PI
135%	-19.8	-20.0	21.0	9.25	20.9	9.70	20.8	10.03	20.8	10.26	20.7	10.41	20.7	10.64
	-18.8	-19.0	21.3	9.39	21.2	9.85	21.2	10.16	21.1	10.38	21.1	10.53	21.0	10.74
	-16.7	-17.0	22.1	9.70	22.0	10.15	21.9	10.44	21.9	10.65	21.9	10.80	21.8	10.98
	-13.7	-15.0	23.0	10.03	22.9	10.46	22.8	10.72	22.8	10.93	22.7	11.06	22.7	11.22
	-11.8	-13.0	24.0	10.37	24.0	10.62	23.9	11.02	23.8	11.21	23.8	11.33	23.7	11.48
	-9.8	-11.0	25.1	10.55	25.0	10.93	24.9	11.31	24.9	11.51	24.9	11.61	24.8	11.73
	-9.5	-10.0	25.7	10.72	25.6	11.09	25.5	11.47	25.5	11.57	25.4	11.75	25.4	11.85
	-8.5	-9.1	26.2	10.86	26.1	11.23	26.1	11.51	26.0	11.69	26.0	11.83	25.9	11.96
	-7.0	-7.6	27.2	10.76	27.2	10.99	27.1	11.29	27.1	11.45	26.9	11.60	26.8	11.76
	-5.0	-5.6	28.6	10.37	28.5	10.53	28.4	10.76	28.4	10.83	28.3	11.06	28.3	11.45
	-3.0	-3.7	29.9	10.12	29.8	10.14	29.8	10.22	29.7	10.30	29.7	10.45	29.6	10.48
	0.0	-0.7	29.9	10.08	29.9	10.08	29.8	10.08	29.8	10.16	29.7	10.16	29.7	10.16
	3.0	2.2	32.3	10.00	32.2	10.00	32.1	10.00	32.1	10.00	32.1	10.00	32.0	9.36
	5.0	4.1	33.9	10.00	33.8	9.96	33.8	9.92	33.7	9.92	33.7	9.84	33.6	9.28
	7.0	6.0	35.6	9.96	35.5	9.92	35.5	9.84	35.4	9.84	35.4	9.69	34.0	9.04
	9.0	7.9	37.4	9.96	37.3	9.88	37.3	9.76	37.2	9.76	36.5	9.56	34.0	8.75
	11.0	9.8	39.3	9.92	39.2	9.84	39.0	9.75	37.7	9.36	36.5	8.98	34.0	8.24
	13.0	11.8	41.4	9.84	41.3	9.80	39.0	9.13	37.7	8.77	36.5	8.43	34.0	7.73
15.0	13.7	43.4	9.28	41.5	9.28	39.0	8.60	37.7	8.27	36.5	7.94	34.0	7.29	
18.0	16.8	43.4	9.26	41.5	8.83	39.0	8.16	37.7	7.85	36.5	7.50	34.0	6.93	
20.0	18.5	43.4	8.81	41.5	8.44	39.0	7.78	37.7	7.50	36.5	7.13	34.0	6.62	
24.0	20.5	43.4	8.43	41.5	8.11	39.0	7.48	37.7	7.21	36.5	6.81	34.0	6.38	

Dc Inverter Multi VRF System Technical Sales Guide

Combination	Outdoor air temp		Indoor air temp °C DB											
			16		18		20		21		22		24	
	°CDB	°CWB	TC	PI	TC	PI	TC	PI	TC	PI	TC	PI	TC	PI
120%	-19.8	-20.0	20.9	9.43	20.8	9.90	20.7	10.24	20.7	10.47	20.7	10.62	20.6	10.85
	-18.8	-19.0	21.2	9.58	21.1	10.05	21.1	10.37	21.0	10.59	21.0	10.75	20.9	10.96
	-16.7	-17.0	22.0	9.90	21.9	10.35	21.9	10.65	21.8	10.87	21.8	11.02	21.7	11.20
	-13.7	-15.0	22.9	10.24	22.8	10.67	22.7	10.94	22.7	11.15	22.7	11.29	22.6	11.45
	-11.8	-13.0	23.9	10.59	23.9	10.84	23.8	11.24	23.8	11.44	23.7	11.56	23.7	11.72
	-9.8	-11.0	25.0	10.77	24.9	11.15	24.9	11.54	24.8	11.74	24.8	11.85	24.7	11.97
	-9.5	-10.0	25.6	10.94	25.5	11.31	25.4	11.70	25.4	11.80	25.4	11.99	25.3	12.09
	-8.5	-9.1	26.1	11.08	26.0	11.46	26.0	11.75	25.9	11.93	25.9	12.07	25.8	12.21
	-7.0	-7.6	27.1	10.98	27.1	11.21	26.9	11.52	26.9	11.68	26.8	11.84	26.8	12.00
	-5.0	-5.6	28.5	10.58	28.4	10.74	28.3	10.98	28.3	11.05	28.3	11.29	28.2	11.68
	-3.0	-3.7	29.7	10.11	29.7	10.35	29.7	10.43	29.7	10.51	29.4	10.66	29.4	9.84
	0.0	-0.7	29.8	9.84	29.8	10.11	29.7	10.14	29.7	9.72	29.6	9.68	29.6	9.26
	3.0	2.2	32.2	9.52	32.1	9.64	32.1	9.72	32.0	9.68	32.0	9.44	31.3	8.64
	5.0	4.1	33.8	9.44	33.7	9.56	33.7	9.72	33.6	9.67	33.6	9.36	31.3	8.56
	7.0	6.0	35.5	9.34	35.5	9.54	35.4	9.68	34.9	9.60	33.7	9.21	31.3	8.45
	9.0	7.9	37.3	9.20	37.2	9.54	36.0	9.39	34.9	9.02	33.7	8.65	31.3	7.95
	11.0	9.8	39.2	9.12	38.3	9.53	36.0	8.83	34.9	8.49	33.7	8.15	31.3	7.49
	13.0	11.8	40.7	9.04	38.3	8.94	36.0	8.28	34.9	7.97	33.7	7.66	31.3	7.04
	15.0	13.7	40.7	9.04	38.3	8.42	36.0	7.81	34.9	7.51	33.7	7.22	31.3	6.65
	18.0	16.8	40.7	8.54	38.3	7.97	36.0	7.42	34.9	7.12	33.7	6.84	31.3	6.31
20.0	18.5	40.7	8.09	38.3	7.61	36.0	7.10	34.9	6.78	33.7	6.51	31.3	6.01	
24.0	20.5	40.7	7.70	38.3	7.29	36.0	6.84	34.9	6.50	33.7	6.25	31.3	5.76	

Combination	Outdoor air temp		Indoor air temp °C DB											
			16		18		20		21		22		24	
	°CDB	°CWB	TC	PI	TC	PI	TC	PI	TC	PI	TC	PI	TC	PI
110%	-19.8	-20.0	20.8	9.63	20.7	10.10	20.6	10.44	20.6	10.68	20.6	10.84	20.5	11.07
	-18.8	-19.0	21.1	9.78	21.1	10.25	21.1	10.58	21.0	10.81	20.9	10.97	20.9	11.19
	-16.7	-17.0	21.9	10.10	21.8	10.56	21.8	10.87	21.7	11.09	21.7	11.24	21.6	11.43
	-13.7	-15.0	22.8	10.44	22.7	10.89	22.6	11.16	22.6	11.38	22.6	11.52	22.5	11.69
	-11.8	-13.0	23.8	10.80	23.8	11.06	23.7	11.47	23.7	11.68	23.6	11.80	23.6	11.96
	-9.8	-11.0	24.9	10.99	24.8	11.38	24.8	11.78	24.7	11.98	24.7	12.09	24.7	12.21
	-9.5	-10.0	25.5	11.16	25.4	11.54	25.3	11.94	25.3	12.04	25.3	12.23	25.2	12.34
	-8.5	-9.1	26.0	11.31	25.9	11.69	25.9	11.99	25.9	12.17	25.8	12.32	25.8	12.45
	-7.0	-7.6	26.9	11.20	26.9	11.44	26.8	11.76	26.8	11.92	26.8	12.08	26.7	12.24
	-5.0	-5.6	28.4	10.80	28.3	10.96	28.2	11.20	28.2	11.28	27.3	11.52	27.0	11.92
	-3.0	-3.7	29.7	10.32	29.7	10.56	29.6	10.64	29.6	10.72	29.1	10.88	28.8	9.92
	0.0	-0.7	31.4	9.84	30.8	10.32	29.6	10.34	29.6	9.52	29.4	9.48	28.8	9.44
	3.0	2.2	32.1	9.52	32.0	9.84	32.0	9.92	31.9	9.44	30.9	9.37	28.8	8.59
	5.0	4.1	33.7	9.45	33.7	9.76	33.0	9.56	31.9	9.17	30.9	8.81	28.8	8.08
	7.0	6.0	35.4	9.40	35.1	9.69	33.0	8.98	31.9	8.62	30.9	8.28	28.8	7.61
	9.0	7.9	37.2	9.28	35.1	9.11	33.0	8.45	31.9	8.11	30.9	7.79	28.8	7.17
	11.0	9.8	37.2	9.21	35.1	8.57	33.0	7.95	31.9	7.65	30.9	7.35	28.8	6.76
	13.0	11.8	37.2	8.63	35.1	8.04	33.0	7.47	31.9	7.19	30.9	6.91	28.8	6.37
15.0	13.7	37.2	8.14	35.1	7.58	33.0	7.05	31.9	6.78	30.9	6.54	28.8	6.03	
18.0	16.8	37.2	7.70	35.1	7.19	33.0	6.43	31.9	6.43	30.9	6.22	28.8	5.74	
20.0	18.5	37.2	7.30	35.1	6.84	33.0	6.10	31.9	6.12	30.9	5.96	28.8	5.49	
24.0	20.5	37.2	6.97	35.1	6.52	33.0	5.81	31.9	5.86	30.9	5.75	28.8	5.28	

Dc Inverter Multi VRF System Technical Sales Guide

Combination	Outdoor air temp		Indoor air temp °C DB											
			16		18		20		21		22		24	
	°CDB	°CWB	TC	PI	TC	PI	TC	PI	TC	PI	TC	PI	TC	PI
100%	-19.8	-20.0	20.7	9.82	20.6	10.22	20.6	10.65	20.5	10.86	20.5	11.05	20.4	11.47
	-18.8	-19.0	21.0	9.94	21.0	10.35	20.9	10.76	20.9	10.97	20.8	11.18	20.8	11.59
	-16.7	-17.0	21.8	10.22	21.7	10.62	21.7	11.01	21.7	11.21	21.6	11.40	21.6	11.80
	-13.7	-15.0	22.7	10.52	22.6	10.90	22.6	11.28	22.5	11.47	22.5	11.66	22.4	12.03
	-11.8	-13.0	23.7	10.83	23.7	11.18	23.6	11.54	23.6	11.73	23.6	11.92	23.5	12.27
	-9.8	-11.0	24.8	11.12	24.7	11.47	24.7	11.81	24.7	11.99	24.6	12.16	24.6	12.50
	-9.5	-10.0	25.4	11.28	25.3	11.61	25.3	11.95	25.2	12.12	25.2	12.29	25.1	12.62
	-8.5	-9.1	25.9	11.40	25.9	11.74	25.8	12.06	25.8	12.23	25.7	12.40	25.7	12.72
	-7.0	-7.6	26.8	11.20	26.8	11.60	26.7	11.84	26.7	12.00	26.7	12.16	26.2	12.32
	-5.0	-5.6	28.3	10.80	28.2	11.04	28.2	11.20	28.1	11.36	28.1	11.60	26.2	12.00
	-3.0	-3.7	29.6	10.40	29.6	10.56	29.5	10.64	29.5	10.80	28.1	10.96	26.2	10.00
	0.0	-0.7	31.2	10.24	30.6	10.32	29.5	10.36	29.0	9.56	28.1	9.16	26.2	8.42
	3.0	2.2	32.0	10.00	31.9	9.77	30.0	9.04	29.0	8.69	28.1	8.34	26.2	7.66
	5.0	4.1	33.6	9.77	31.9	9.17	30.0	8.50	29.0	8.18	28.1	7.85	26.2	7.22
	7.0	6.0	33.8	9.27	31.9	8.62	30.0	8.00	29.0	7.70	28.1	7.40	26.2	6.81
	9.0	7.9	33.8	8.71	31.9	8.11	30.0	7.53	29.0	7.25	28.1	6.97	26.2	6.42
	11.0	9.8	33.8	8.20	31.9	7.65	30.0	7.11	29.0	6.84	28.1	6.58	26.2	6.07
	13.0	11.8	33.8	7.70	31.9	7.19	30.0	6.69	29.0	6.44	28.1	6.20	26.2	5.72
	15.0	13.7	33.8	7.26	31.9	6.78	30.0	6.32	29.0	6.09	28.1	5.86	26.2	5.42
	18.0	16.8	33.8	6.85	31.9	6.47	30.0	6.11	29.0	5.78	28.1	5.55	26.2	5.16
20.0	18.5	33.8	6.46	31.9	6.21	30.0	5.86	29.0	5.52	28.1	5.29	26.2	4.96	
24.0	20.5	33.8	6.11	31.9	6.01	30.0	5.63	29.0	5.31	28.1	5.08	26.2	4.80	

Combination	Outdoor air temp		Indoor air temp °C DB											
			16		18		20		21		22		24	
	°CDB	°CWB	TC	PI	TC	PI	TC	PI	TC	PI	TC	PI	TC	PI
90%	-19.8	-20.0	20.5	9.61	20.5	9.94	20.5	10.29	20.4	10.45	20.4	10.63	20.4	10.96
	-18.8	-19.0	20.8	9.71	20.8	10.06	20.7	10.39	20.7	10.56	20.7	10.72	20.6	11.05
	-16.7	-17.0	21.6	9.96	21.5	10.27	21.5	10.59	21.5	10.76	21.4	10.91	21.4	11.23
	-13.7	-15.0	22.5	10.20	22.4	10.50	22.4	10.81	22.3	10.86	22.3	11.12	22.3	11.42
	-11.8	-13.0	23.3	10.44	23.3	10.73	23.2	11.03	23.2	11.18	23.2	11.32	23.1	11.62
	-9.8	-11.0	24.4	10.68	24.4	10.96	24.3	11.25	24.3	11.40	24.3	11.54	24.2	11.82
	-9.5	-10.0	24.9	10.81	24.8	11.09	24.8	11.36	24.7	11.50	24.7	11.64	24.7	11.91
	-8.5	-9.1	25.4	10.93	25.4	11.19	25.3	11.46	25.3	11.59	25.3	11.73	25.0	11.85
	-7.0	-7.6	26.3	10.40	26.3	10.80	26.2	11.20	26.2	11.36	26.2	10.40	25.0	10.00
	-5.0	-5.6	27.6	9.23	27.5	9.60	27.5	9.62	27.5	9.72	26.7	9.42	25.0	8.64
	-3.0	-3.7	28.8	9.40	28.8	9.52	28.5	9.63	27.6	9.25	26.7	8.87	25.0	8.15
	0.0	-0.7	31.1	9.67	30.3	8.39	28.5	8.74	27.6	8.39	26.7	8.06	25.0	7.41
	3.0	2.2	32.0	9.22	30.3	8.58	28.5	7.96	27.6	7.66	26.7	7.36	25.0	6.77
	5.0	4.1	32.0	8.66	30.3	8.07	28.5	7.50	27.6	7.21	26.7	6.94	25.0	6.39
	7.0	6.0	32.0	8.15	30.3	7.61	28.5	7.06	27.6	6.81	26.7	6.55	25.0	6.04
	9.0	7.9	32.0	7.68	30.3	7.16	28.5	6.66	27.6	6.42	26.7	6.18	25.0	5.70
	11.0	9.8	32.0	7.23	30.3	6.75	28.5	6.30	27.6	6.07	26.7	5.84	25.0	5.40
	13.0	11.8	32.0	6.81	30.3	6.37	28.5	5.93	27.6	5.72	26.7	5.52	25.0	5.10
15.0	13.7	32.0	6.43	30.3	6.02	28.5	5.62	27.6	5.40	26.7	5.23	25.0	4.84	
18.0	16.8	32.0	6.08	30.3	5.68	28.5	5.33	27.6	5.10	26.7	4.96	25.0	4.60	
20.0	18.5	32.0	5.75	30.3	5.37	28.5	5.06	27.6	4.81	26.7	4.71	25.0	4.39	
24.0	20.5	32.0	5.42	30.3	5.07	28.5	4.80	27.6	4.54	26.7	4.47	25.0	4.20	

Dc Inverter Multi VRF System Technical Sales Guide

Combination	Outdoor air temp		Indoor air temp °C DB											
			16		18		20		21		22		24	
	°CDB	°CWB	TC	PI	TC	PI	TC	PI	TC	PI	TC	PI	TC	PI
80%	-19.8	-20.0	20.5	9.52	20.4	9.80	20.4	10.08	20.4	10.22	20.3	10.36	20.3	10.64
	-18.8	-19.0	20.7	9.61	20.7	9.89	20.6	10.16	20.6	10.30	20.6	10.43	20.5	10.72
	-16.7	-17.0	21.5	9.81	21.4	10.07	21.4	10.34	21.4	10.47	21.4	10.60	21.3	10.86
	-13.7	-15.0	22.4	10.01	22.3	10.26	22.3	10.52	22.3	10.64	22.2	10.77	22.2	11.03
	-11.8	-13.0	23.2	10.21	23.2	10.46	23.1	10.70	23.1	10.81	23.1	10.94	22.5	10.65
	-9.8	-11.0	24.3	10.41	24.3	10.65	24.2	10.88	24.2	10.99	24.0	10.97	22.5	10.06
	-9.5	-10.0	24.8	10.52	24.7	10.74	24.7	10.97	24.7	11.09	24.0	9.34	22.5	8.56
	-8.5	-9.1	25.3	10.61	25.3	10.84	25.2	9.69	24.7	9.49	24.0	9.09	22.5	8.33
	-7.0	-7.6	26.2	9.44	26.2	9.63	25.5	9.42	24.7	9.05	24.0	8.69	22.5	8.00
	-5.0	-5.6	27.5	8.80	27.0	9.56	25.5	8.85	24.7	8.51	24.0	8.17	22.5	7.50
	-3.0	-3.7	28.5	8.62	27.0	9.00	25.5	8.33	24.7	8.05	24.0	7.70	22.5	7.09
	0.0	-0.7	28.5	8.77	27.0	8.17	25.5	7.58	24.7	7.30	24.0	7.01	22.5	6.46
	3.0	2.2	28.5	7.99	27.0	7.45	25.5	6.93	24.7	6.67	24.0	6.42	22.5	5.92
	5.0	4.1	28.5	7.52	27.0	7.02	25.5	6.54	24.7	6.30	24.0	6.07	22.5	5.60
	7.0	6.0	28.5	7.09	27.0	6.64	25.5	6.17	24.7	5.95	24.0	5.74	22.5	5.30
	9.0	7.9	28.5	6.69	27.0	6.25	25.5	5.86	24.7	5.62	24.0	5.42	22.5	5.02
	11.0	9.8	28.5	6.32	27.0	5.91	25.5	5.52	24.7	5.32	24.0	5.13	22.5	4.76
	13.0	11.8	28.5	5.95	27.0	5.58	25.5	5.22	24.7	5.03	24.0	4.85	22.5	4.50
	15.0	13.7	28.5	5.63	27.0	5.29	25.5	4.95	24.7	4.77	24.0	4.60	22.5	4.28
	18.0	16.8	28.5	5.37	27.0	5.03	25.5	4.71	24.7	4.53	24.0	4.36	22.5	4.08
20.0	18.5	28.5	5.16	27.0	4.82	25.5	4.50	24.7	4.32	24.0	4.16	22.5	3.90	
24.0	20.5	28.5	5.01	27.0	4.66	25.5	4.31	24.7	4.14	24.0	3.97	22.5	3.73	

Combination	Outdoor air temp		Indoor air temp °C DB											
			16		18		20		21		22		24	
	°CDB	°CWB	TC	PI	TC	PI	TC	PI	TC	PI	TC	PI	TC	PI
70%	-19.8	-20.0	20.4	9.52	20.3	9.74	20.3	9.97	20.3	10.08	20.3	10.21	19.8	10.09
	-18.8	-19.0	20.6	9.59	20.6	9.82	20.5	10.04	20.5	10.15	20.5	10.27	19.8	9.88
	-16.7	-17.0	21.4	9.75	21.4	9.97	21.3	10.18	21.3	10.29	21.1	10.28	19.8	9.43
	-13.7	-15.0	22.3	9.92	22.2	10.13	22.2	10.34	21.8	9.91	21.1	9.77	19.8	8.96
	-11.8	-13.0	23.1	10.08	23.1	10.28	22.5	10.04	21.8	9.65	21.1	9.26	19.8	8.49
	-9.8	-11.0	24.2	10.25	23.9	9.57	22.5	8.86	21.8	8.52	21.1	8.18	19.8	7.51
	-9.5	-10.0	24.7	10.34	23.9	9.29	22.5	8.60	21.8	8.27	21.1	7.95	19.8	7.30
	-8.5	-9.1	25.2	9.71	23.9	9.04	22.5	8.37	21.8	8.05	21.1	7.74	19.8	7.12
	-7.0	-7.6	25.2	9.28	23.9	8.63	22.5	8.01	21.8	7.71	21.1	7.41	19.8	6.82
	-5.0	-5.6	25.2	8.72	23.9	8.12	22.5	7.54	21.8	7.25	21.1	6.97	19.8	6.43
	-3.0	-3.7	25.2	8.21	23.9	7.66	22.5	7.12	21.8	6.85	21.1	6.59	19.8	6.08
	0.0	-0.7	25.2	7.47	23.9	7.01	22.5	6.49	21.8	6.25	21.1	6.03	19.8	5.57
	3.0	2.2	25.2	6.83	23.9	6.40	22.5	5.95	21.8	5.74	21.1	5.53	19.8	5.11
	5.0	4.1	25.2	6.44	23.9	6.03	22.5	5.63	21.8	5.42	21.1	5.24	19.8	4.84
	7.0	6.0	25.2	6.09	23.9	5.70	22.5	5.32	21.8	5.13	21.1	4.96	19.8	4.59
	9.0	7.9	25.2	5.76	23.9	5.39	22.5	5.04	21.8	4.86	21.1	4.70	19.8	4.35
	11.0	9.8	25.2	5.44	23.9	5.10	22.5	4.78	21.8	4.61	21.1	4.46	19.8	4.14
	13.0	11.8	25.2	5.14	23.9	4.83	22.5	4.52	21.8	4.37	21.1	4.22	19.8	3.93
15.0	13.7	25.2	4.87	23.9	4.58	22.5	4.29	21.8	4.16	21.1	4.01	19.8	3.74	
18.0	16.8	25.2	4.62	23.9	4.35	22.5	4.08	21.8	3.96	21.1	3.82	19.8	3.57	
20.0	18.5	25.2	4.41	23.9	4.15	22.5	3.90	21.8	3.78	21.1	3.66	19.8	3.43	
24.0	20.5	25.2	4.21	23.9	3.96	22.5	3.74	21.8	3.63	21.1	3.52	19.8	3.30	

Dc Inverter Multi VRF System Technical Sales Guide

Combination	Outdoor air temp		Indoor air temp °C DB											
			16		18		20		21		22		24	
	°CDB	°CWB	TC	PI	TC	PI	TC	PI	TC	PI	TC	PI	TC	PI
60%	-19.8	-20.0	20.3	9.43	20.2	9.61	19.5	9.25	18.9	8.88	18.4	8.53	17.2	7.82
	-18.8	-19.0	20.5	9.50	20.5	9.67	19.5	9.05	18.9	8.70	18.4	8.34	17.2	7.66
	-16.7	-17.0	21.3	9.62	20.6	9.32	19.5	8.63	18.9	8.30	18.4	7.97	17.2	7.32
	-13.7	-15.0	21.8	9.52	20.6	8.85	19.5	8.21	18.9	7.90	18.4	7.58	17.2	6.97
	-11.8	-13.0	21.8	9.01	20.6	8.38	19.5	7.78	18.9	7.49	18.4	7.20	17.2	6.63
	-9.8	-11.0	21.8	8.51	20.6	7.93	19.5	7.37	18.9	7.09	18.4	6.82	17.2	6.29
	-9.5	-10.0	21.8	8.27	20.6	7.71	19.5	7.16	18.9	6.90	18.4	6.63	17.2	6.11
	-8.5	-9.1	21.8	8.05	20.6	7.51	19.5	6.98	18.9	6.72	18.4	6.46	17.2	5.96
	-7.0	-7.6	21.8	7.70	20.6	7.19	19.5	6.68	18.9	6.44	18.4	6.19	17.2	5.72
	-5.0	-5.6	21.8	7.25	20.6	6.77	19.5	6.31	18.9	6.08	18.4	5.85	17.2	5.41
	-3.0	-3.7	21.8	6.85	20.6	6.40	19.5	5.98	18.9	5.76	18.4	5.54	17.2	5.12
	0.0	-0.7	21.8	6.25	20.6	5.86	19.5	5.46	18.9	5.28	18.4	5.08	17.2	4.71
	3.0	2.2	21.8	5.74	20.6	5.38	19.5	5.03	18.9	4.85	18.4	4.69	17.2	4.40
	5.0	4.1	21.8	5.42	20.6	5.09	19.5	4.76	18.9	4.60	18.4	4.44	17.2	4.12
	7.0	6.0	21.8	5.13	20.6	4.82	19.5	4.51	18.9	4.36	18.4	4.22	17.2	3.92
	9.0	7.9	21.8	4.86	20.6	4.57	19.5	4.28	18.9	4.15	18.4	4.00	17.2	3.73
	11.0	9.8	21.8	4.61	20.6	4.34	19.5	4.07	18.9	3.94	18.4	3.80	17.2	3.55
	13.0	11.8	21.8	4.36	20.6	4.11	19.5	3.86	18.9	3.74	18.4	3.62	17.2	3.38
15.0	13.7	21.8	4.16	20.6	3.91	19.5	3.68	18.9	3.56	18.4	3.45	17.2	3.22	
18.0	16.8	21.8	3.97	20.6	3.72	19.5	3.51	18.9	3.41	18.4	3.30	17.2	3.09	
20.0	18.5	21.8	3.80	20.6	3.55	19.5	3.37	18.9	3.27	18.4	3.18	17.2	2.97	
24.0	20.5	21.8	3.66	20.6	3.41	19.5	3.24	18.9	3.16	18.4	3.08	17.2	2.87	

Combination	Outdoor air temp		Indoor air temp °C DB											
			16		18		20		21		22		24	
	°CDB	°CWB	TC	PI	TC	PI	TC	PI	TC	PI	TC	PI	TC	PI
50%	-19.8	-20.0	18.5	8.58	17.5	7.99	16.5	7.42	16.0	7.15	15.5	6.87	14.5	6.33
	-18.8	-19.0	18.5	8.39	17.5	7.82	16.5	7.27	16.0	6.99	15.5	6.72	14.5	6.20
	-16.7	-17.0	18.5	8.01	17.5	7.47	16.5	6.95	16.0	6.69	15.5	6.44	14.5	5.94
	-13.7	-15.0	18.5	7.63	17.5	7.12	16.5	6.62	16.0	6.38	15.5	6.14	14.5	5.67
	-11.8	-13.0	18.5	7.24	17.5	6.77	16.5	6.30	16.0	6.07	15.5	5.84	14.5	5.40
	-9.8	-11.0	18.5	6.86	17.5	6.41	16.5	5.97	16.0	5.76	15.5	5.55	14.5	5.13
	-9.5	-10.0	18.5	6.67	17.5	6.23	16.5	5.82	16.0	5.61	15.5	5.40	14.5	5.00
	-8.5	-9.1	18.5	6.50	17.5	6.09	16.5	5.67	16.0	5.48	15.5	5.28	14.5	4.88
	-7.0	-7.6	18.5	6.23	17.5	5.86	16.5	5.44	16.0	5.26	15.5	5.07	14.5	4.70
	-5.0	-5.6	18.5	5.88	17.5	5.52	16.5	5.15	16.0	4.98	15.5	4.80	14.5	4.45
	-3.0	-3.7	18.5	5.57	17.5	5.23	16.5	4.88	16.0	4.72	15.5	4.55	14.5	4.23
	0.0	-0.7	18.5	5.11	17.5	4.80	16.5	4.50	16.0	4.34	15.5	4.20	14.5	3.91
	3.0	2.2	18.5	4.71	17.5	4.43	16.5	4.15	16.0	4.01	15.5	3.89	14.5	3.62
	5.0	4.1	18.5	4.47	17.5	4.20	16.5	3.94	16.0	3.81	15.5	3.69	14.5	3.44
	7.0	6.0	18.5	4.24	17.5	3.99	16.5	3.75	16.0	3.63	15.5	3.51	14.5	3.28
	9.0	7.9	18.5	4.02	17.5	3.79	16.5	3.56	16.0	3.46	15.5	3.35	14.5	3.13
	11.0	9.8	18.5	3.82	17.5	3.61	16.5	3.40	16.0	3.29	15.5	3.19	14.5	2.98
	13.0	11.8	18.5	3.64	17.5	3.43	16.5	3.23	16.0	3.14	15.5	3.03	14.5	2.85
15.0	13.7	18.5	3.46	17.5	3.27	16.5	3.09	16.0	2.99	15.5	2.90	14.5	2.71	
18.0	16.8	18.5	3.29	17.5	3.13	16.5	2.96	16.0	2.87	15.5	2.77	14.5	2.59	
20.0	18.5	18.5	3.14	17.5	2.99	16.5	2.85	16.0	2.76	15.5	2.66	14.5	2.47	
24.0	20.5	18.5	2.99	17.5	2.87	16.5	2.65	16.0	2.67	15.5	2.56	14.5	2.37	

Dc Inverter Multi VRF System Technical Sales Guide

GMV-335WL/C-X

TC—Total capacity of outdoor unit; PI—Power input of outdoor unit

Combination	Outdoor air temp		Indoor air temp °C DB											
			16		18		20		21		22		24	
	°C DB	°C WB	TC	PI	TC	PI	TC	PI	TC	PI	TC	PI	TC	PI
135%	-19.8	-20.0	22.7	5.04	22.6	5.40	22.4	5.76	22.4	5.93	22.3	6.11	22.3	6.47
	-18.8	-19.0	23.0	5.16	22.9	5.51	22.9	5.86	22.8	6.04	22.8	6.20	22.7	6.56
	-16.7	-17.0	23.9	5.40	23.8	5.73	23.7	6.07	23.7	6.21	23.7	6.41	23.6	6.75
	-13.7	-15.0	24.9	5.65	24.8	5.97	24.7	6.30	24.7	6.45	24.6	6.62	24.6	6.95
	-11.8	-13.0	25.9	5.90	25.9	6.21	25.8	6.52	25.7	6.68	25.7	6.83	25.6	7.14
	-9.8	-11.0	27.1	6.16	27.0	6.45	26.9	6.75	26.9	6.90	26.9	7.05	26.8	7.34
	-9.5	-10.0	27.8	6.29	27.7	6.57	27.6	6.86	27.6	7.01	27.4	7.15	27.4	7.44
	-8.5	-9.1	28.3	6.40	28.2	6.68	28.2	6.96	28.1	7.10	28.1	7.24	28.0	7.53
	-7.0	-7.6	29.3	6.58	29.3	6.86	29.2	7.13	29.2	7.27	29.1	7.40	29.0	7.68
	-5.0	-5.6	30.9	6.83	30.8	6.95	30.7	7.35	30.7	7.48	30.6	7.60	30.6	7.86
	-3.0	-3.7	32.3	7.06	32.2	7.31	32.2	7.55	32.1	7.68	32.1	7.80	32.0	8.04
	0.0	-0.7	34.9	7.40	34.9	7.63	34.8	7.85	34.8	7.97	34.7	8.09	34.7	8.31
	3.0	2.2	37.7	7.71	37.6	7.92	37.4	8.13	37.4	8.23	37.4	8.35	37.3	8.55
	5.0	4.1	39.6	7.90	39.4	8.10	39.4	8.30	39.3	8.40	39.3	8.50	39.2	8.70
	7.0	6.0	41.6	8.09	41.4	8.27	41.4	8.47	41.3	7.63	41.3	8.65	39.7	8.31
	9.0	7.9	43.7	8.25	43.6	8.44	43.6	8.61	43.4	8.71	42.6	8.53	39.7	7.81
	11.0	9.8	45.9	8.42	45.8	8.59	45.6	8.70	44.0	8.35	42.6	8.01	39.7	7.35
	13.0	11.8	48.3	8.58	48.2	8.74	45.6	8.15	44.0	7.83	42.6	7.52	39.7	6.90
15.0	13.7	50.7	8.73	48.4	8.28	45.6	7.68	44.0	7.38	42.6	7.08	39.7	6.51	
18.0	16.8	50.7	8.26	48.4	7.88	45.6	7.28	44.0	7.01	42.6	6.69	39.7	6.18	
20.0	18.5	50.7	7.86	48.4	7.53	45.6	6.95	44.0	6.69	42.6	6.36	39.7	5.91	
24.0	20.5	50.7	7.52	48.4	7.24	45.6	6.68	44.0	6.44	42.6	6.07	39.7	5.69	

Combination	Outdoor air temp		Indoor air temp °C DB											
			16		18		20		21		22		24	
	°C DB	°C WB	TC	PI	TC	PI	TC	PI	TC	PI	TC	PI	TC	PI
120%	-19.8	-20.0	22.6	5.53	22.4	5.85	22.3	6.18	22.3	6.34	22.3	6.51	22.2	6.84
	-18.8	-19.0	22.9	5.63	22.8	5.95	22.8	6.21	22.7	6.44	22.7	6.60	22.6	6.93
	-16.7	-17.0	23.8	5.85	23.7	6.17	23.7	6.47	23.6	6.63	23.6	6.79	23.4	7.09
	-13.7	-15.0	24.8	6.08	24.7	6.38	24.6	6.68	24.6	6.83	24.6	6.98	24.4	7.28
	-11.8	-13.0	25.8	6.31	25.8	6.60	25.7	6.89	25.7	7.04	25.6	7.18	25.6	7.46
	-9.8	-11.0	27.0	6.56	26.9	6.82	26.9	7.10	26.8	7.24	26.8	7.37	26.7	7.66
	-9.5	-10.0	27.7	6.68	27.6	6.95	27.4	7.20	27.4	7.34	27.4	7.42	27.3	7.74
	-8.5	-9.1	28.2	6.78	28.1	7.04	28.1	7.30	28.0	7.43	28.0	7.57	27.9	7.83
	-7.0	-7.6	29.2	6.95	29.2	7.20	29.1	7.46	29.1	7.59	29.0	7.71	29.0	7.96
	-5.0	-5.6	30.8	7.18	30.7	7.42	30.6	7.66	30.6	7.78	30.6	7.90	30.4	8.13
	-3.0	-3.7	32.2	7.39	32.2	7.62	32.1	7.84	32.1	7.96	32.0	8.08	32.0	8.30
	0.0	-0.7	34.8	7.71	34.8	7.92	34.7	8.22	34.7	8.23	34.6	8.34	34.6	8.55
	3.0	2.2	37.6	7.99	37.4	8.19	37.4	8.38	37.3	8.48	37.3	8.58	36.6	8.53
	5.0	4.1	39.4	8.17	39.3	8.35	39.3	8.54	39.2	8.63	39.2	8.73	36.6	8.01
	7.0	6.0	41.4	8.34	41.4	8.51	41.3	8.69	40.7	8.57	39.3	8.22	36.6	7.54
	9.0	7.9	43.6	8.50	43.4	8.67	42.0	8.38	40.7	8.05	39.3	7.72	36.6	7.09
	11.0	9.8	45.8	8.65	44.7	8.50	42.0	7.88	40.7	7.58	39.3	7.27	36.6	6.69
13.0	11.8	47.4	8.57	44.7	7.97	42.0	7.39	40.7	7.11	39.3	6.83	36.6	6.29	
15.0	13.7	47.4	8.07	44.7	7.51	42.0	6.97	40.7	6.70	39.3	6.44	36.6	5.93	
18.0	16.8	47.4	7.62	44.7	7.11	42.0	6.62	40.7	6.35	39.3	6.10	36.6	5.63	
20.0	18.5	47.4	7.22	44.7	6.79	42.0	6.33	40.7	6.06	39.3	5.81	36.6	5.36	
24.0	20.5	47.4	6.87	44.7	6.51	42.0	6.10	40.7	5.80	39.3	5.58	36.6	5.14	

Dc Inverter Multi VRF System Technical Sales Guide

Combination	Outdoor air temp		Indoor air temp °C DB											
			16		18		20		21		22		24	
	°C DB	°C WB	TC	PI	TC	PI	TC	PI	TC	PI	TC	PI	TC	PI
110%	-19.8	-20.0	22.4	6.01	22.3	6.31	22.2	6.61	22.2	6.76	22.2	6.91	22.1	7.21
	-18.8	-19.0	22.8	6.10	22.8	6.40	22.7	6.69	22.7	6.84	22.6	6.99	22.6	7.29
	-16.7	-17.0	23.7	6.31	23.6	6.59	23.6	6.88	23.4	7.02	23.4	7.17	23.3	7.45
	-13.7	-15.0	24.7	6.52	24.6	6.80	24.4	7.07	24.4	7.20	24.4	7.34	24.3	7.61
	-11.8	-13.0	25.7	6.74	25.7	7.00	25.6	7.26	25.6	7.39	25.4	7.52	25.4	7.79
	-9.8	-11.0	26.9	6.95	26.8	7.20	26.8	7.46	26.7	7.59	26.7	7.71	26.7	7.96
	-9.5	-10.0	27.6	7.07	27.4	7.31	27.3	7.56	27.3	7.68	27.3	7.80	27.2	8.04
	-8.5	-9.1	28.1	7.16	28.0	7.40	28.0	7.64	28.0	7.76	27.9	7.88	27.9	8.11
	-7.0	-7.6	29.1	7.33	29.1	7.55	29.0	7.78	29.0	7.90	29.3	8.01	28.9	8.24
	-5.0	-5.6	30.7	7.53	30.6	7.75	30.4	7.97	30.4	8.08	31.9	8.19	30.3	8.41
	-3.0	-3.7	32.1	7.72	32.1	7.93	32.0	8.14	32.0	8.24	34.6	8.35	31.9	8.56
	0.0	-0.7	34.7	8.01	34.7	8.21	34.6	8.40	34.6	8.49	36.0	8.60	33.6	8.43
	3.0	2.2	37.4	8.28	37.3	8.46	37.3	8.63	37.2	8.72	36.0	8.36	33.6	7.67
	5.0	4.1	39.3	8.44	39.3	8.61	38.6	8.53	37.2	8.19	36.0	7.86	33.6	7.21
	7.0	6.0	41.3	8.60	41.0	8.65	38.6	8.01	37.2	7.70	36.0	7.39	33.6	6.79
	9.0	7.9	43.4	8.73	41.0	8.13	38.6	7.54	37.2	7.24	36.0	6.95	33.6	6.40
	11.0	9.8	43.4	8.22	41.0	7.65	38.6	7.09	37.2	6.82	36.0	6.56	33.6	6.04
13.0	11.8	43.4	7.71	41.0	7.18	38.6	6.67	37.2	6.42	36.0	6.17	33.6	5.68	
15.0	13.7	43.4	7.26	41.0	6.77	38.6	6.30	37.2	6.06	36.0	5.83	33.6	5.38	
18.0	16.8	43.4	6.87	41.0	6.42	38.6	5.74	37.2	5.74	36.0	5.55	33.6	5.12	
20.0	18.5	43.4	6.52	41.0	6.10	38.6	5.44	37.2	5.46	36.0	5.32	33.6	4.90	
24.0	20.5	43.4	6.22	41.0	5.82	38.6	5.18	37.2	5.23	36.0	5.13	33.6	4.71	

Combination	Outdoor air temp		Indoor air temp °C DB											
			16		18		20		21		22		24	
	°C DB	°C WB	TC	PI	TC	PI	TC	PI	TC	PI	TC	PI	TC	PI
100%	-19.8	-20.0	22.3	6.49	22.2	6.76	22.2	7.04	22.1	7.18	22.1	7.31	22.0	7.59
	-18.8	-19.0	22.7	6.57	22.7	6.84	22.6	7.11	22.6	7.25	22.4	7.39	22.4	7.66
	-16.7	-17.0	23.6	6.76	23.4	7.02	23.4	7.28	23.4	7.41	23.3	7.54	23.3	7.80
	-13.7	-15.0	24.6	6.95	24.4	7.20	24.4	7.46	24.3	7.59	24.3	7.71	24.2	7.96
	-11.8	-13.0	25.6	7.16	25.6	7.39	25.4	7.63	25.4	7.75	25.4	7.59	25.3	8.11
	-9.8	-11.0	26.8	7.35	26.7	7.59	26.7	7.81	26.7	7.93	26.6	8.04	26.6	8.26
	-9.5	-10.0	27.4	7.46	27.3	7.68	27.3	7.90	27.2	8.01	27.2	8.12	27.1	8.35
	-8.5	-9.1	28.0	7.54	28.0	7.76	27.9	7.97	27.9	8.09	27.8	8.20	27.8	8.41
	-7.0	-7.6	29.0	7.69	29.0	7.90	28.9	8.10	28.9	8.22	28.9	8.32	28.8	8.53
	-5.0	-5.6	30.6	7.88	30.4	8.08	30.4	8.28	30.3	8.38	30.3	8.48	30.3	8.68
	-3.0	-3.7	32.0	8.06	32.0	8.24	31.9	8.44	31.9	8.53	31.9	8.62	30.6	8.26
	0.0	-0.7	34.6	8.33	34.6	8.49	34.4	8.67	33.9	8.53	32.8	8.18	30.6	7.51
	3.0	2.2	37.3	8.56	37.2	8.72	35.0	8.07	33.9	7.75	32.8	7.45	30.6	6.83
	5.0	4.1	39.2	8.72	37.2	8.19	35.0	7.59	33.9	7.30	32.8	7.01	30.6	6.44
	7.0	6.0	39.4	8.27	37.2	7.70	35.0	7.14	33.9	6.87	32.8	6.60	30.6	6.07
	9.0	7.9	39.4	7.77	37.2	7.24	35.0	6.72	33.9	6.47	32.8	6.22	30.6	5.73
	11.0	9.8	39.4	7.32	37.2	6.82	35.0	6.34	33.9	6.10	32.8	5.87	30.6	5.42
13.0	11.8	39.4	6.87	37.2	6.42	35.0	5.97	33.9	5.75	32.8	5.54	30.6	5.11	
15.0	13.7	39.4	6.48	37.2	6.06	35.0	5.64	33.9	5.43	32.8	5.23	30.6	4.84	
18.0	16.8	39.4	6.11	37.2	5.78	35.0	5.45	33.9	5.16	32.8	4.95	30.6	4.61	
20.0	18.5	39.4	5.77	37.2	5.55	35.0	5.23	33.9	4.92	32.8	4.72	30.6	4.42	
24.0	20.5	39.4	5.45	37.2	5.36	35.0	5.03	33.9	4.74	32.8	4.53	30.6	4.28	

Dc Inverter Multi VRF System Technical Sales Guide

Combination	Outdoor air temp		Indoor air temp °C DB											
			16		18		20		21		22		24	
	°C DB	°C WB	TC	PI	TC	PI	TC	PI	TC	PI	TC	PI	TC	PI
90%	-19.8	-20.0	24.0	6.97	23.9	7.21	23.9	7.46	23.8	7.59	23.8	7.71	23.8	7.96
	-18.8	-19.0	24.3	7.05	24.3	7.30	24.2	7.54	24.2	7.66	24.2	7.78	24.1	8.02
	-16.7	-17.0	25.2	7.22	25.1	7.46	25.1	7.69	25.1	7.81	25.0	7.92	25.0	8.15
	-13.7	-15.0	26.2	7.40	26.1	7.62	26.1	7.84	26.0	7.88	26.0	8.07	26.0	8.29
	-11.8	-13.0	27.2	7.58	27.2	7.79	27.1	8.00	27.1	8.11	27.1	8.22	27.0	8.43
	-9.8	-11.0	28.4	7.75	28.4	7.96	28.3	8.16	28.3	8.27	28.3	8.37	28.2	8.58
	-9.5	-10.0	29.1	7.84	29.0	8.05	29.0	8.24	28.9	8.35	28.9	8.45	28.9	8.64
	-8.5	-9.1	29.6	7.93	29.6	8.12	29.5	8.32	29.5	8.41	29.5	8.51	29.2	8.60
	-7.0	-7.6	30.6	8.06	30.6	8.24	30.5	8.44	30.5	8.53	30.5	8.62	29.2	8.21
	-5.0	-5.6	32.2	8.23	32.1	8.41	32.1	8.59	32.1	8.68	31.2	8.41	29.2	7.71
	-3.0	-3.7	33.6	8.39	33.6	7.63	33.3	8.60	32.2	8.25	31.2	7.92	29.2	7.27
	0.0	-0.7	36.3	8.63	35.3	7.49	33.3	7.80	32.2	7.49	31.2	7.20	29.2	6.61
	3.0	2.2	37.3	8.22	35.3	7.66	33.3	7.10	32.2	6.83	31.2	6.57	29.2	6.05
	5.0	4.1	37.3	7.73	35.3	7.20	33.3	6.69	32.2	6.44	31.2	6.19	29.2	5.70
	7.0	6.0	37.3	7.27	35.3	6.79	33.3	6.31	32.2	6.07	31.2	5.84	29.2	5.39
	9.0	7.9	37.3	6.85	35.3	6.39	33.3	5.94	32.2	5.73	31.2	5.52	29.2	5.09
	11.0	9.8	37.3	6.45	35.3	6.03	33.3	5.62	32.2	5.42	31.2	5.21	29.2	4.82
13.0	11.8	37.3	6.07	35.3	5.68	33.3	5.29	32.2	5.11	31.2	4.92	29.2	4.55	
15.0	13.7	37.3	5.74	35.3	5.37	33.3	5.02	32.2	4.82	31.2	4.66	29.2	4.32	
18.0	16.8	37.3	5.42	35.3	5.07	33.3	4.76	32.2	4.55	31.2	4.42	29.2	4.11	
20.0	18.5	37.3	5.13	35.3	4.79	33.3	4.52	32.2	4.29	31.2	4.20	29.2	3.92	
24.0	20.5	37.3	4.84	35.3	4.53	33.3	4.28	32.2	4.05	31.2	3.99	29.2	3.75	

Combination	Outdoor air temp		Indoor air temp °C DB											
			16		18		20		21		22		24	
	°C DB	°C WB	TC	PI	TC	PI	TC	PI	TC	PI	TC	PI	TC	PI
80%	-19.8	-20.0	23.9	7.46	23.8	7.67	23.8	7.89	23.8	8.00	23.6	8.11	23.6	8.33
	-18.8	-19.0	24.2	7.52	24.2	7.74	24.1	7.96	24.1	8.07	24.1	8.17	24.0	8.39
	-16.7	-17.0	25.1	7.68	25.0	7.88	25.0	8.10	25.0	8.20	25.0	8.30	24.9	8.50
	-13.7	-15.0	26.1	7.84	26.0	8.03	26.0	8.23	26.0	8.33	25.9	8.43	25.9	8.63
	-11.8	-13.0	27.1	7.99	27.1	8.19	27.0	8.37	27.0	8.47	27.0	8.57	26.2	8.34
	-9.8	-11.0	28.3	8.15	28.3	8.34	28.2	8.52	28.2	8.61	28.0	8.59	26.2	7.87
	-9.5	-10.0	29.0	8.23	28.9	8.41	28.9	8.59	28.9	8.68	28.0	8.34	26.2	7.64
	-8.5	-9.1	29.5	8.31	29.5	8.48	29.4	8.65	28.9	8.47	28.0	8.11	26.2	7.44
	-7.0	-7.6	30.5	8.43	30.5	8.60	29.8	8.41	28.9	8.08	28.0	7.75	26.2	7.14
	-5.0	-5.6	32.1	7.65	31.5	8.53	29.8	7.90	28.9	7.59	28.0	7.29	26.2	6.69
	-3.0	-3.7	33.3	7.70	31.5	8.03	29.8	7.44	28.9	7.19	28.0	6.87	26.2	6.32
	0.0	-0.7	33.3	7.83	31.5	7.29	29.8	6.77	28.9	6.52	28.0	6.26	26.2	5.77
	3.0	2.2	33.3	7.13	31.5	6.65	29.8	6.18	28.9	5.95	28.0	5.73	26.2	5.29
	5.0	4.1	33.3	6.71	31.5	6.27	29.8	5.83	28.9	5.62	28.0	5.42	26.2	5.00
	7.0	6.0	33.3	6.32	31.5	5.93	29.8	5.51	28.9	5.31	28.0	5.12	26.2	4.73
	9.0	7.9	33.3	5.97	31.5	5.58	29.8	5.23	28.9	5.02	28.0	4.84	26.2	4.48
	11.0	9.8	33.3	5.64	31.5	5.28	29.8	4.92	28.9	4.75	28.0	4.58	26.2	4.25
	13.0	11.8	33.3	5.31	31.5	4.98	29.8	4.65	28.9	4.49	28.0	4.33	26.2	4.02
15.0	13.7	33.3	5.03	31.5	4.72	29.8	4.41	28.9	4.26	28.0	4.11	26.2	3.82	
18.0	16.8	33.3	4.79	31.5	4.49	29.8	4.20	28.9	4.04	28.0	3.89	26.2	3.64	
20.0	18.5	33.3	4.61	31.5	4.30	29.8	4.02	28.9	3.86	28.0	3.71	26.2	3.48	
24.0	20.5	33.3	4.47	31.5	4.16	29.8	3.85	28.9	3.69	28.0	3.54	26.2	3.33	

Dc Inverter Multi VRF System Technical Sales Guide

Combination	Outdoor air temp		Indoor air temp °C DB											
			16		18		20		21		22		24	
	°C DB	°C WB	TC	PI	TC	PI	TC	PI	TC	PI	TC	PI	TC	PI
70%	-19.8	-20.0	23.8	7.94	23.6	8.12	23.6	8.32	23.6	8.41	23.6	8.51	23.1	8.42
	-18.8	-19.0	24.1	8.00	24.1	8.19	24.0	8.37	24.0	8.47	24.0	8.57	23.1	8.24
	-16.7	-17.0	25.0	8.13	25.0	8.32	24.9	8.49	24.9	8.59	24.6	8.58	23.1	7.86
	-13.7	-15.0	26.0	8.27	25.9	8.45	25.9	8.62	25.4	8.27	24.6	8.15	23.1	7.47
	-11.8	-13.0	27.0	8.41	27.0	8.58	26.3	8.37	25.4	8.05	24.6	7.72	23.1	7.08
	-9.8	-11.0	28.2	8.55	27.9	8.54	26.3	7.91	25.4	7.60	24.6	7.30	23.1	6.70
	-9.5	-10.0	28.9	8.62	27.9	8.29	26.3	7.68	25.4	7.38	24.6	7.09	23.1	6.52
	-8.5	-9.1	29.4	8.67	27.9	8.07	26.3	7.47	25.4	7.19	24.6	6.91	23.1	6.35
	-7.0	-7.6	29.4	8.28	27.9	7.71	26.3	7.15	25.4	6.88	24.6	6.61	23.1	6.08
	-5.0	-5.6	29.4	7.78	27.9	7.25	26.3	6.73	25.4	6.47	24.6	6.22	23.1	5.74
	-3.0	-3.7	29.4	7.33	27.9	6.83	26.3	6.35	25.4	6.11	24.6	5.88	23.1	5.42
	0.0	-0.7	29.4	6.67	27.9	6.26	26.3	5.80	25.4	5.58	24.6	5.38	23.1	4.97
	3.0	2.2	29.4	6.09	27.9	0.14	26.3	5.31	25.4	5.12	24.6	4.93	23.1	4.56
	5.0	4.1	29.4	5.75	27.9	5.38	26.3	5.03	25.4	4.84	24.6	4.67	23.1	4.32
	7.0	6.0	29.4	5.43	27.9	5.09	26.3	4.75	25.4	4.58	24.6	4.42	23.1	4.10
	9.0	7.9	29.4	5.14	27.9	4.81	26.3	4.50	25.4	4.34	24.6	4.19	23.1	3.89
	11.0	9.8	29.4	4.86	27.9	4.55	26.3	4.27	25.4	4.12	24.6	3.98	23.1	3.69
	13.0	11.8	29.4	4.59	27.9	4.31	26.3	4.03	25.4	3.90	24.6	3.76	23.1	3.51
	15.0	13.7	29.4	4.35	27.9	4.09	26.3	3.83	25.4	3.71	24.6	3.58	23.1	3.34
	18.0	16.8	29.4	4.13	27.9	3.89	26.3	3.64	25.4	3.53	24.6	3.41	23.1	3.19
20.0	18.5	29.4	3.93	27.9	3.70	26.3	3.48	25.4	3.38	24.6	3.26	23.1	3.06	
24.0	20.5	29.4	3.76	27.9	3.53	26.3	3.34	25.4	3.24	24.6	3.14	23.1	2.95	

Combination	Outdoor air temp		Indoor air temp °C DB											
			16		18		20		21		22		24	
	°C DB	°C WB	TC	PI	TC	PI	TC	PI	TC	PI	TC	PI	TC	PI
60%	-19.8	-20.0	23.6	8.42	23.5	8.58	22.8	8.25	22.1	7.93	21.4	7.61	20.1	6.98
	-18.8	-19.0	24.0	8.48	24.0	8.63	22.8	8.08	22.1	7.76	21.4	7.45	20.1	6.83
	-16.7	-17.0	24.9	8.59	24.1	8.32	22.8	7.71	22.1	7.41	21.4	7.11	20.1	6.54
	-13.7	-15.0	25.4	8.49	24.1	7.90	22.8	7.33	22.1	7.05	21.4	6.77	20.1	6.22
	-11.8	-13.0	25.4	8.04	24.1	7.48	22.8	6.95	22.1	6.69	21.4	6.43	20.1	5.92
	-9.8	-11.0	25.4	7.59	24.1	7.08	22.8	6.57	22.1	6.32	21.4	6.08	20.1	5.61
	-9.5	-10.0	25.4	7.38	24.1	6.88	22.8	6.39	22.1	6.16	21.4	5.92	20.1	5.45
	-8.5	-9.1	25.4	7.19	24.1	6.70	22.8	6.23	22.1	6.00	21.4	5.77	20.1	5.32
	-7.0	-7.6	25.4	6.87	24.1	6.42	22.8	5.96	22.1	5.75	21.4	5.53	20.1	5.11
	-5.0	-5.6	25.4	6.47	24.1	6.05	22.8	5.63	22.1	5.42	21.4	5.22	20.1	4.83
	-3.0	-3.7	25.4	6.11	24.1	5.71	22.8	5.34	22.1	5.14	21.4	4.94	20.1	4.57
	0.0	-0.7	25.4	5.58	24.1	5.23	22.8	4.88	22.1	4.71	21.4	4.53	20.1	4.20
	3.0	2.2	25.4	5.12	24.1	4.80	22.8	4.49	22.1	4.33	21.4	4.18	20.1	0.17
	5.0	4.1	25.4	4.84	24.1	4.54	22.8	4.25	22.1	4.11	21.4	3.96	20.1	3.68
	7.0	6.0	25.4	4.58	24.1	4.30	22.8	4.02	22.1	3.89	21.4	3.76	20.1	3.50
	9.0	7.9	25.4	4.34	24.1	4.08	22.8	3.82	22.1	3.70	21.4	3.57	20.1	3.33
	11.0	9.8	25.4	4.12	24.1	3.88	22.8	3.63	22.1	3.51	21.4	3.39	20.1	3.17
13.0	11.8	25.4	3.89	24.1	3.67	22.8	3.45	22.1	3.34	21.4	3.23	20.1	3.01	
15.0	13.7	25.4	3.71	24.1	3.49	22.8	3.28	22.1	3.18	21.4	3.08	20.1	2.87	
18.0	16.8	25.4	3.54	24.1	3.32	22.8	3.13	22.1	3.04	21.4	2.95	20.1	2.75	
20.0	18.5	25.4	3.39	24.1	3.17	22.8	3.00	22.1	2.92	21.4	2.84	20.1	2.65	
24.0	20.5	25.4	3.26	24.1	3.04	22.8	2.89	22.1	2.82	21.4	2.74	20.1	2.56	

Dc Inverter Multi VRF System Technical Sales Guide

Combination	Outdoor air temp		Indoor air temp °C DB											
			16		18		20		21		22		24	
	°C DB	°C WB	TC	PI	TC	PI	TC	PI	TC	PI	TC	PI	TC	PI
50%	-19.8	-20.0	21.5	7.66	20.4	7.13	19.3	6.62	18.6	6.38	18.1	6.13	17.0	5.65
	-18.8	-19.0	21.5	7.49	20.4	6.98	19.3	6.49	18.6	6.24	18.1	6.00	17.0	5.54
	-16.7	-17.0	21.5	7.15	20.4	6.67	19.3	6.20	18.6	5.97	18.1	5.75	17.0	5.30
	-13.7	-15.0	21.5	6.81	20.4	6.35	19.3	5.91	18.6	5.69	18.1	5.48	17.0	5.06
	-11.8	-13.0	21.5	6.46	20.4	6.05	19.3	5.62	18.6	5.42	18.1	5.21	17.0	4.82
	-9.8	-11.0	21.5	6.12	20.4	5.72	19.3	5.33	18.6	5.14	18.1	4.95	17.0	4.58
	-9.5	-10.0	21.5	5.95	20.4	5.56	19.3	5.19	18.6	5.01	18.1	4.82	17.0	4.46
	-8.5	-9.1	21.5	5.80	20.4	5.43	19.3	5.06	18.6	4.89	18.1	4.71	17.0	4.36
	-7.0	-7.6	21.5	5.56	20.4	5.23	19.3	4.86	18.6	4.69	18.1	4.53	17.0	4.19
	-5.0	-5.6	21.5	5.25	20.4	4.92	19.3	4.60	18.6	4.44	18.1	4.28	17.0	3.97
	-3.0	-3.7	21.5	4.97	20.4	4.66	19.3	4.36	18.6	4.21	18.1	4.06	17.0	3.77
	0.0	-0.7	21.5	4.56	20.4	4.28	19.3	4.02	18.6	3.88	18.1	3.75	17.0	3.49
	3.0	2.2	21.5	4.20	20.4	3.95	19.3	3.70	18.6	3.58	18.1	3.47	17.0	3.23
	5.0	4.1	21.5	3.99	20.4	3.75	19.3	3.51	18.6	3.40	18.1	3.29	17.0	3.07
	7.0	6.0	21.5	3.78	20.4	3.56	19.3	3.35	18.6	3.24	18.1	3.13	17.0	2.93
	9.0	7.9	21.5	3.59	20.4	3.38	19.3	3.18	18.6	3.09	18.1	2.99	17.0	2.79
	11.0	9.8	21.5	3.41	20.4	3.22	19.3	3.03	18.6	2.94	18.1	2.85	17.0	2.66
	13.0	11.8	21.5	3.25	20.4	3.06	19.3	2.88	18.6	2.80	18.1	2.71	17.0	2.54
15.0	13.7	21.5	3.09	20.4	2.92	19.3	2.75	18.6	2.67	18.1	2.59	17.0	2.42	
18.0	16.8	21.5	2.94	20.4	2.79	19.3	2.64	18.6	2.56	18.1	2.48	17.0	2.31	
20.0	18.5	21.5	2.80	20.4	2.67	19.3	2.54	18.6	2.47	18.1	2.37	17.0	2.21	
24.0	20.5	21.5	2.67	20.4	2.56	19.3	2.36	18.6	2.38	18.1	2.28	17.0	2.11	

GMV-335WL/C1-X

TC—Total capacity of outdoor unit; PI—Power input of outdoor unit

Combination	Outdoor air temp		Indoor air temp °C DB											
			16		18		20		21		22		24	
	°C DB	°C WB	TC	PI	TC	PI	TC	PI	TC	PI	TC	PI	TC	PI
135%	-19.8	-20.0	24.5	12.10	24.4	12.70	24.2	13.13	24.2	13.42	24.1	13.62	24.1	13.92
	-18.8	-19.0	24.8	12.29	24.7	12.89	24.7	13.29	24.6	13.59	24.6	13.79	24.5	14.06
	-16.7	-17.0	25.8	12.70	25.7	13.28	25.6	13.66	25.6	13.94	25.6	14.13	25.4	14.37
	-13.7	-15.0	26.9	13.13	26.8	13.69	26.6	14.03	26.6	14.31	26.5	14.48	26.5	14.69
	-11.8	-13.0	28.0	13.58	28.0	13.90	27.8	14.42	27.7	14.68	27.7	14.83	27.6	15.03
	-9.8	-11.0	29.3	13.81	29.2	14.31	29.0	14.80	29.0	15.06	29.0	15.19	28.9	15.35
	-9.5	-10.0	30.0	14.03	29.9	14.51	29.8	15.01	29.8	15.14	29.6	15.38	29.6	15.51
	-8.5	-9.1	30.6	14.21	30.5	14.69	30.5	15.06	30.4	15.30	30.4	15.49	30.2	15.65
	-7.0	-7.6	31.7	14.08	31.7	14.38	31.6	14.78	31.6	14.98	31.4	15.18	31.3	15.38
	-5.0	-5.6	33.4	13.57	33.2	13.78	33.1	14.08	33.1	14.18	33.0	14.48	33.0	14.98
	-3.0	-3.7	34.8	13.24	34.8	13.27	34.8	13.37	34.7	13.47	34.7	13.68	34.6	13.72
	0.0	-0.7	34.9	13.19	34.9	13.19	34.8	13.19	34.8	13.30	34.7	13.30	34.7	13.30
	3.0	2.2	37.7	13.09	37.6	13.09	37.4	13.09	37.4	13.09	37.4	13.09	37.3	12.25
	5.0	4.1	39.6	13.09	39.4	13.04	39.4	12.98	39.3	12.98	39.3	12.88	39.2	12.15
	7.0	6.0	41.6	13.04	41.4	12.98	41.4	12.88	41.3	12.88	41.3	12.69	39.7	11.83
	9.0	7.9	43.7	13.04	43.6	12.93	43.6	12.77	43.4	12.77	42.6	12.51	39.7	11.45
	11.0	9.8	45.9	12.98	45.8	12.88	45.6	12.75	44.0	12.25	42.6	11.75	39.7	10.78
	13.0	11.8	48.3	12.88	48.2	12.82	45.6	11.95	44.0	11.48	42.6	11.03	39.7	10.12
15.0	13.7	50.7	12.15	48.4	12.14	45.6	11.26	44.0	10.82	42.6	10.39	39.7	9.55	
18.0	16.8	50.7	12.12	48.4	11.56	45.6	10.67	44.0	10.28	42.6	9.82	39.7	9.07	
20.0	18.5	50.7	11.53	48.4	11.04	45.6	10.18	44.0	9.82	42.6	9.33	39.7	8.66	
24.0	20.5	50.7	11.03	48.4	10.62	45.6	9.79	44.0	9.44	42.6	8.91	39.7	8.35	

Dc Inverter Multi VRF System Technical Sales Guide

Combination	Outdoor air temp		Indoor air temp °C DB											
			16		18		20		21		22		24	
	°C DB	°C WB	TC	PI	TC	PI	TC	PI	TC	PI	TC	PI	TC	PI
120%	-19.8	-20.0	24.4	12.35	24.2	12.96	24.1	13.40	24.1	13.70	24.1	13.90	24.0	14.20
	-18.8	-19.0	24.7	12.54	24.6	13.15	24.6	13.57	24.5	13.87	24.5	14.07	24.4	14.35
	-16.7	-17.0	25.7	12.96	25.6	13.55	25.6	13.94	25.4	14.22	25.4	14.42	25.3	14.66
	-13.7	-15.0	26.8	13.40	26.6	13.97	26.5	14.32	26.5	14.60	26.5	14.78	26.4	14.99
	-11.8	-13.0	27.8	13.85	27.8	14.19	27.7	14.71	27.7	14.97	27.6	15.13	27.6	15.33
	-9.8	-11.0	29.2	14.09	29.0	14.60	29.0	15.11	28.9	15.37	28.9	15.50	28.8	15.66
	-9.5	-10.0	29.9	14.32	29.8	14.81	29.6	15.31	29.6	15.45	29.6	15.69	29.5	15.83
	-8.5	-9.1	30.5	14.51	30.4	14.99	30.4	15.37	30.2	15.61	30.2	15.80	30.1	15.97
	-7.0	-7.6	31.6	14.36	31.6	14.67	31.4	15.08	31.4	15.29	31.3	15.49	31.3	15.70
	-5.0	-5.6	33.2	13.85	33.1	14.06	33.0	14.36	33.0	14.47	33.0	14.78	32.9	15.29
	-3.0	-3.7	34.7	13.24	34.7	13.54	34.7	13.65	34.7	13.75	34.3	13.95	34.3	12.88
	0.0	-0.7	34.8	12.88	34.8	13.24	34.7	13.27	34.7	12.72	34.6	12.67	34.6	12.11
	3.0	2.2	37.6	12.46	37.4	12.62	37.4	12.72	37.3	12.67	37.3	12.35	36.6	11.31
	5.0	4.1	39.4	12.35	39.3	12.52	39.3	12.72	39.2	12.66	39.2	12.25	36.6	11.20
	7.0	6.0	41.4	12.22	41.4	12.48	41.3	12.67	40.7	12.56	39.3	12.05	36.6	11.05
	9.0	7.9	43.6	12.04	43.4	12.48	42.0	12.29	40.7	11.80	39.3	11.33	36.6	10.40
	11.0	9.8	45.8	11.94	44.7	12.47	42.0	11.56	40.7	11.11	39.3	10.66	36.6	9.80
	13.0	11.8	47.4	11.83	44.7	11.69	42.0	10.84	40.7	10.43	39.3	10.02	36.6	9.22
15.0	13.7	47.4	11.83	44.7	11.01	42.0	10.23	40.7	9.83	39.3	9.45	36.6	8.70	
18.0	16.8	47.4	11.18	44.7	10.43	42.0	9.71	40.7	9.31	39.3	8.95	36.6	8.25	
20.0	18.5	47.4	10.59	44.7	9.95	42.0	9.29	40.7	8.88	39.3	8.53	36.6	7.86	
24.0	20.5	47.4	10.08	44.7	9.55	42.0	8.95	40.7	8.51	39.3	8.19	36.6	7.53	

Combination	Outdoor air temp		Indoor air temp °C DB											
			16		18		20		21		22		24	
	°C DB	°C WB	TC	PI	TC	PI	TC	PI	TC	PI	TC	PI	TC	PI
110%	-19.8	-20.0	24.2	12.60	24.1	13.22	24.0	13.67	24.0	13.98	24.0	14.18	23.9	14.49
	-18.8	-19.0	24.6	12.79	24.6	13.42	24.6	13.84	24.5	14.15	24.4	14.35	24.4	14.64
	-16.7	-17.0	25.6	13.22	25.4	13.82	25.4	14.23	25.3	14.51	25.3	14.72	25.2	14.96
	-13.7	-15.0	26.6	13.67	26.5	14.25	26.4	14.61	26.4	14.90	26.4	15.08	26.3	15.29
	-11.8	-13.0	27.7	14.14	27.7	14.48	27.6	15.01	27.6	15.28	27.5	15.44	27.5	15.65
	-9.8	-11.0	29.0	14.38	28.9	14.90	28.9	15.41	28.8	15.68	28.8	15.82	28.8	15.98
	-9.5	-10.0	29.8	14.61	29.6	15.11	29.5	15.63	29.5	15.76	29.5	16.01	29.4	16.15
	-8.5	-9.1	30.4	14.80	30.2	15.30	30.2	15.69	30.2	15.93	30.1	16.12	30.1	16.30
	-7.0	-7.6	31.4	14.66	31.4	14.97	31.3	15.39	31.3	15.60	31.3	15.81	31.2	16.02
	-5.0	-5.6	33.1	14.13	33.0	14.34	32.9	14.66	32.9	14.76	31.9	15.08	31.5	15.60
	-3.0	-3.7	34.7	13.51	34.7	13.82	34.5	13.93	34.5	14.03	34.0	14.24	33.6	12.98
	0.0	-0.7	36.6	12.88	35.9	13.51	34.6	13.54	34.6	12.46	34.3	12.41	33.6	12.36
	3.0	2.2	37.4	12.46	37.3	12.88	37.3	12.98	37.2	12.35	36.0	12.26	33.6	11.25
	5.0	4.1	39.3	12.37	39.3	12.77	38.6	12.51	37.2	12.01	36.0	11.53	33.6	10.58
	7.0	6.0	41.3	12.30	41.0	12.69	38.6	11.75	37.2	11.29	36.0	10.84	33.6	9.95
	9.0	7.9	43.4	12.15	41.0	11.92	38.6	11.05	37.2	10.62	36.0	10.20	33.6	9.38
	11.0	9.8	43.4	12.05	41.0	11.22	38.6	10.40	37.2	10.01	36.0	9.61	33.6	8.85
13.0	11.8	43.4	11.30	41.0	10.52	38.6	9.78	37.2	9.41	36.0	9.04	33.6	8.34	
15.0	13.7	43.4	10.65	41.0	9.93	38.6	9.23	37.2	8.88	36.0	8.55	33.6	7.89	
18.0	16.8	43.4	10.08	41.0	9.41	38.6	8.42	37.2	8.42	36.0	8.14	33.6	7.51	
20.0	18.5	43.4	9.56	41.0	8.95	38.6	7.98	37.2	8.01	36.0	7.80	33.6	7.18	
24.0	20.5	43.4	9.12	41.0	8.54	38.6	7.60	37.2	7.67	36.0	7.52	33.6	6.91	

Dc Inverter Multi VRF System Technical Sales Guide

Combination	Outdoor air temp		Indoor air temp °C DB											
			16		18		20		21		22		24	
	°C DB	°C WB	TC	PI	TC	PI	TC	PI	TC	PI	TC	PI	TC	PI
100%	-19.8	-20.0	24.1	12.85	24.0	13.38	24.0	13.93	23.9	14.21	23.9	14.46	23.8	15.02
	-18.8	-19.0	24.5	13.01	24.5	13.55	24.4	14.08	24.4	14.35	24.2	14.63	24.2	15.16
	-16.7	-17.0	25.4	13.38	25.3	13.90	25.3	14.41	25.3	14.67	25.2	14.92	25.2	15.44
	-13.7	-15.0	26.5	13.77	26.4	14.26	26.4	14.76	26.3	15.02	26.3	15.25	26.2	15.75
	-11.8	-13.0	27.6	14.17	27.6	14.63	27.5	15.11	27.5	15.35	27.5	15.60	27.4	16.06
	-9.8	-11.0	28.9	14.56	28.8	15.02	28.8	15.46	28.8	15.69	28.7	15.92	28.7	16.36
	-9.5	-10.0	29.6	14.76	29.5	15.20	29.5	15.64	29.4	15.86	29.4	16.08	29.3	16.52
	-8.5	-9.1	30.2	14.92	30.2	15.36	30.1	15.79	30.1	16.01	30.0	16.23	30.0	16.65
	-7.0	-7.6	31.3	14.66	31.3	15.18	31.2	15.50	31.2	15.71	31.2	15.91	30.6	16.12
	-5.0	-5.6	33.0	14.13	32.9	14.45	32.9	14.66	32.8	14.87	32.8	15.18	30.6	15.71
	-3.0	-3.7	34.5	13.61	34.5	13.82	34.4	13.93	34.4	14.13	32.8	14.34	30.6	13.09
	0.0	-0.7	36.4	13.40	35.7	13.51	34.4	13.56	33.9	12.51	32.8	11.99	30.6	11.01
	3.0	2.2	37.3	13.09	37.2	12.78	35.0	11.83	33.9	11.37	32.8	10.92	30.6	10.02
	5.0	4.1	39.2	12.78	37.2	12.01	35.0	11.12	33.9	10.70	32.8	10.28	30.6	9.45
	7.0	6.0	39.4	12.13	37.2	11.29	35.0	10.47	33.9	10.08	32.8	9.68	30.6	8.91
	9.0	7.9	39.4	11.39	37.2	10.62	35.0	9.86	33.9	9.49	32.8	9.12	30.6	8.40
	11.0	9.8	39.4	10.73	37.2	10.01	35.0	9.30	33.9	8.95	32.8	8.61	30.6	7.94
	13.0	11.8	39.4	10.08	37.2	9.41	35.0	8.76	33.9	8.43	32.8	8.12	30.6	7.49
15.0	13.7	39.4	9.50	37.2	8.88	35.0	8.27	33.9	7.97	32.8	7.67	30.6	7.10	
18.0	16.8	39.4	8.96	37.2	8.47	35.0	8.00	33.9	7.56	32.8	7.26	30.6	6.76	
20.0	18.5	39.4	8.46	37.2	8.13	35.0	7.67	33.9	7.22	32.8	6.92	30.6	6.49	
24.0	20.5	39.4	8.00	37.2	7.86	35.0	7.37	33.9	6.95	32.8	6.65	30.6	6.28	

Combination	Outdoor air temp		Indoor air temp °C DB											
			16		18		20		21		22		24	
	°C DB	°C WB	TC	PI	TC	PI	TC	PI	TC	PI	TC	PI	TC	PI
90%	-19.8	-20.0	24.0	12.58	23.9	13.01	23.9	13.46	23.8	13.68	23.8	13.92	23.8	14.35
	-18.8	-19.0	24.3	12.71	24.3	13.16	24.2	13.60	24.2	13.81	24.2	14.03	24.1	14.47
	-16.7	-17.0	25.2	13.03	25.1	13.45	25.1	13.86	25.1	14.08	25.0	14.28	25.0	14.70
	-13.7	-15.0	26.2	13.35	26.1	13.75	26.1	14.15	26.0	14.22	26.0	14.55	26.0	14.95
	-11.8	-13.0	27.2	13.66	27.2	14.05	27.1	14.43	27.1	14.63	27.1	14.82	27.0	15.20
	-9.8	-11.0	28.4	13.98	28.4	14.35	28.3	14.72	28.3	14.92	28.3	15.10	28.2	15.47
	-9.5	-10.0	29.1	14.15	29.0	14.52	29.0	14.87	28.9	15.05	28.9	15.24	28.9	15.59
	-8.5	-9.1	29.6	14.30	29.6	14.65	29.5	15.00	29.5	15.17	29.5	15.35	29.2	15.50
	-7.0	-7.6	30.6	13.61	30.6	14.13	30.5	14.66	30.5	14.87	30.5	13.61	29.2	13.09
	-5.0	-5.6	32.2	12.07	32.1	12.56	32.1	12.59	32.1	12.73	31.2	12.33	29.2	11.31
	-3.0	-3.7	33.6	12.31	33.6	12.46	33.3	12.60	32.2	12.10	31.2	11.61	29.2	10.66
	0.0	-0.7	36.3	12.66	35.3	10.99	33.3	11.44	32.2	10.99	31.2	10.55	29.2	9.69
	3.0	2.2	37.3	12.06	35.3	11.23	33.3	10.42	32.2	10.02	31.2	9.63	29.2	8.87
	5.0	4.1	37.3	11.34	35.3	10.57	33.3	9.82	32.2	9.44	31.2	9.08	29.2	8.36
	7.0	6.0	37.3	10.66	35.3	9.95	33.3	9.25	32.2	8.91	31.2	8.57	29.2	7.90
	9.0	7.9	37.3	10.05	35.3	9.37	33.3	8.72	32.2	8.40	31.2	8.09	29.2	7.46
	11.0	9.8	37.3	9.46	35.3	8.84	33.3	8.24	32.2	7.94	31.2	7.64	29.2	7.07
13.0	11.8	37.3	8.91	35.3	8.34	33.3	7.76	32.2	7.49	31.2	7.22	29.2	6.68	
15.0	13.7	37.3	8.42	35.3	7.87	33.3	7.36	32.2	7.07	31.2	6.84	29.2	6.34	
18.0	16.8	37.3	7.95	35.3	7.44	33.3	6.98	32.2	6.68	31.2	6.49	29.2	6.02	
20.0	18.5	37.3	7.52	35.3	7.03	33.3	6.62	32.2	6.30	31.2	6.16	29.2	5.75	
24.0	20.5	37.3	7.10	35.3	6.64	33.3	6.28	32.2	5.94	31.2	5.85	29.2	5.49	

Dc Inverter Multi VRF System Technical Sales Guide

Combination	Outdoor air temp		Indoor air temp °C DB											
			16		18		20		21		22		24	
	°C DB	°C WB	TC	PI	TC	PI	TC	PI	TC	PI	TC	PI	TC	PI
80%	-19.8	-20.0	23.9	12.46	23.8	12.82	23.8	13.19	23.8	13.38	23.6	13.56	23.6	13.92
	-18.8	-19.0	24.2	12.57	24.2	12.94	24.1	13.30	24.1	13.49	24.1	13.66	24.0	14.03
	-16.7	-17.0	25.1	12.83	25.0	13.18	25.0	13.53	25.0	13.70	25.0	13.87	24.9	14.21
	-13.7	-15.0	26.1	13.10	26.0	13.42	26.0	13.76	26.0	13.92	25.9	14.09	25.9	14.43
	-11.8	-13.0	27.1	13.36	27.1	13.69	27.0	14.00	27.0	14.15	27.0	14.32	26.2	13.94
	-9.8	-11.0	28.3	13.63	28.3	13.94	28.2	14.25	28.2	14.38	28.0	14.35	26.2	13.16
	-9.5	-10.0	29.0	13.76	28.9	14.06	28.9	14.35	28.9	14.51	28.0	12.22	26.2	11.20
	-8.5	-9.1	29.5	13.89	29.5	14.18	29.4	12.69	28.9	12.41	28.0	11.90	26.2	10.91
	-7.0	-7.6	30.5	12.36	30.5	12.60	29.8	12.33	28.9	11.84	28.0	11.37	26.2	10.47
	-5.0	-5.6	32.1	11.52	31.5	12.51	29.8	11.58	28.9	11.14	28.0	10.69	26.2	9.82
	-3.0	-3.7	33.3	11.29	31.5	11.78	29.8	10.91	28.9	10.54	28.0	10.08	26.2	9.27
	0.0	-0.7	33.3	11.48	31.5	10.69	29.8	9.93	28.9	9.56	28.0	9.18	26.2	8.46
	3.0	2.2	33.3	10.46	31.5	9.75	29.8	9.07	28.9	8.73	28.0	8.40	26.2	7.75
	5.0	4.1	33.3	9.84	31.5	9.19	29.8	8.55	28.9	8.24	28.0	7.94	26.2	7.33
	7.0	6.0	33.3	9.27	31.5	8.69	29.8	8.08	28.9	7.79	28.0	7.51	26.2	6.93
	9.0	7.9	33.3	8.76	31.5	8.19	29.8	7.67	28.9	7.36	28.0	7.10	26.2	6.57
	11.0	9.8	33.3	8.27	31.5	7.74	29.8	7.22	28.9	6.96	28.0	6.72	26.2	6.23
13.0	11.8	33.3	7.79	31.5	7.30	29.8	6.83	28.9	6.58	28.0	6.35	26.2	5.89	
15.0	13.7	33.3	7.37	31.5	6.92	29.8	6.47	28.9	6.24	28.0	6.02	26.2	5.60	
18.0	16.8	33.3	7.03	31.5	6.58	29.8	6.16	28.9	5.93	28.0	5.71	26.2	5.34	
20.0	18.5	33.3	6.76	31.5	6.31	29.8	5.89	28.9	5.66	28.0	5.44	26.2	5.10	
24.0	20.5	33.3	6.55	31.5	6.11	29.8	5.64	28.9	5.41	28.0	5.19	26.2	4.88	

Combination	Outdoor air temp		Indoor air temp °C DB											
			16		18		20		21		22		24	
	°C DB	°C WB	TC	PI	TC	PI	TC	PI	TC	PI	TC	PI	TC	PI
70%	-19.8	-20.0	23.8	12.45	23.6	12.75	23.6	13.05	23.6	13.20	23.6	13.36	23.1	13.21
	-18.8	-19.0	24.1	12.56	24.1	12.85	24.0	13.14	24.0	13.28	24.0	13.44	23.1	12.93
	-16.7	-17.0	25.0	12.76	25.0	13.05	24.9	13.33	24.9	13.47	24.6	13.46	23.1	12.34
	-13.7	-15.0	26.0	12.98	25.9	13.25	25.9	13.53	25.4	12.97	24.6	12.79	23.1	11.73
	-11.8	-13.0	27.0	13.20	27.0	13.46	26.3	13.14	25.4	12.63	24.6	12.12	23.1	11.12
	-9.8	-11.0	28.2	13.41	27.9	12.52	26.3	11.60	25.4	11.15	24.6	10.70	23.1	9.83
	-9.5	-10.0	28.9	13.53	27.9	12.16	26.3	11.26	25.4	10.82	24.6	10.40	23.1	9.56
	-8.5	-9.1	29.4	12.71	27.9	11.83	26.3	10.96	25.4	10.54	24.6	10.13	23.1	9.31
	-7.0	-7.6	29.4	12.14	27.9	11.30	26.3	10.48	25.4	10.09	24.6	9.69	23.1	8.92
	-5.0	-5.6	29.4	11.41	27.9	10.63	26.3	9.87	25.4	9.49	24.6	9.12	23.1	8.42
	-3.0	-3.7	29.4	10.74	27.9	10.02	26.3	9.31	25.4	8.96	24.6	8.62	23.1	7.95
	0.0	-0.7	29.4	9.78	27.9	9.18	26.3	8.50	25.4	8.19	24.6	7.89	23.1	7.29
	3.0	2.2	29.4	8.93	27.9	8.38	26.3	7.79	25.4	7.51	24.6	7.23	23.1	6.69
	5.0	4.1	29.4	8.43	27.9	7.89	26.3	7.37	25.4	7.10	24.6	6.85	23.1	6.34
	7.0	6.0	29.4	7.97	27.9	7.46	26.3	6.96	25.4	6.72	24.6	6.49	23.1	6.01
	9.0	7.9	29.4	7.53	27.9	7.06	26.3	6.59	25.4	6.36	24.6	6.15	23.1	5.70
	11.0	9.8	29.4	7.13	27.9	6.68	26.3	6.25	25.4	6.04	24.6	5.83	23.1	5.41
13.0	11.8	29.4	6.73	27.9	6.32	26.3	5.91	25.4	5.72	24.6	5.52	23.1	5.14	
15.0	13.7	29.4	6.38	27.9	6.00	26.3	5.62	25.4	5.44	24.6	5.25	23.1	4.90	
18.0	16.8	29.4	6.05	27.9	5.70	26.3	5.34	25.4	5.18	24.6	5.00	23.1	4.68	
20.0	18.5	29.4	5.77	27.9	5.43	26.3	5.10	25.4	4.95	24.6	4.79	23.1	4.49	
24.0	20.5	29.4	5.51	27.9	5.18	26.3	4.90	25.4	4.75	24.6	4.61	23.1	4.32	

Dc Inverter Multi VRF System Technical Sales Guide

Combination	Outdoor air temp		Indoor air temp °C DB											
			16		18		20		21		22		24	
	°C DB	°C WB	TC	PI	TC	PI	TC	PI	TC	PI	TC	PI	TC	PI
60%	-19.8	-20.0	23.6	12.35	23.5	12.58	22.8	12.10	22.1	11.63	21.4	11.16	20.1	10.24
	-18.8	-19.0	24.0	12.43	24.0	12.66	22.8	11.84	22.1	11.38	21.4	10.92	20.1	10.02
	-16.7	-17.0	24.9	12.59	24.1	12.20	22.8	11.30	22.1	10.86	21.4	10.43	20.1	9.59
	-13.7	-15.0	25.4	12.46	24.1	11.58	22.8	10.74	22.1	10.33	21.4	9.93	20.1	9.12
	-11.8	-13.0	25.4	11.79	24.1	10.97	22.8	10.18	22.1	9.80	21.4	9.42	20.1	8.68
	-9.8	-11.0	25.4	11.14	24.1	10.37	22.8	9.64	22.1	9.27	21.4	8.92	20.1	8.23
	-9.5	-10.0	25.4	10.82	24.1	10.09	22.8	9.37	22.1	9.03	21.4	8.68	20.1	8.00
	-8.5	-9.1	25.4	10.54	24.1	9.83	22.8	9.14	22.1	8.80	21.4	8.46	20.1	7.80
	-7.0	-7.6	25.4	10.08	24.1	9.41	22.8	8.74	22.1	8.43	21.4	8.10	20.1	7.49
	-5.0	-5.6	25.4	9.49	24.1	8.87	22.8	8.25	22.1	7.95	21.4	7.66	20.1	7.08
	-3.0	-3.7	25.4	8.96	24.1	8.38	22.8	7.83	22.1	7.53	21.4	7.25	20.1	6.70
	0.0	-0.7	25.4	8.19	24.1	7.67	22.8	7.15	22.1	6.91	21.4	6.65	20.1	6.16
	3.0	2.2	25.4	7.51	24.1	7.04	22.8	6.58	22.1	6.35	21.4	6.13	20.1	5.76
	5.0	4.1	25.4	7.10	24.1	6.66	22.8	6.23	22.1	6.02	21.4	5.81	20.1	5.40
	7.0	6.0	25.4	6.72	24.1	6.31	22.8	5.90	22.1	5.71	21.4	5.52	20.1	5.13
	9.0	7.9	25.4	6.36	24.1	5.98	22.8	5.60	22.1	5.43	21.4	5.24	20.1	4.88
	11.0	9.8	25.4	6.04	24.1	5.68	22.8	5.33	22.1	5.15	21.4	4.98	20.1	4.65
	13.0	11.8	25.4	5.71	24.1	5.38	22.8	5.06	22.1	4.90	21.4	4.73	20.1	4.42
15.0	13.7	25.4	5.44	24.1	5.11	22.8	4.81	22.1	4.66	21.4	4.51	20.1	4.22	
18.0	16.8	25.4	5.19	24.1	4.87	22.8	4.60	22.1	4.46	21.4	4.32	20.1	4.04	
20.0	18.5	25.4	4.98	24.1	4.65	22.8	4.41	22.1	4.28	21.4	4.16	20.1	3.89	
24.0	20.5	25.4	4.79	24.1	4.46	22.8	4.24	22.1	4.13	21.4	4.02	20.1	3.75	

Combination	Outdoor air temp		Indoor air temp °C DB											
			16		18		20		21		22		24	
	°C DB	°C WB	TC	PI	TC	PI	TC	PI	TC	PI	TC	PI	TC	PI
50%	-19.8	-20.0	21.5	11.23	20.4	10.46	19.3	9.71	18.6	9.36	18.1	8.99	17.0	8.28
	-18.8	-19.0	21.5	10.99	20.4	10.24	19.3	9.52	18.6	9.15	18.1	8.80	17.0	8.12
	-16.7	-17.0	21.5	10.48	20.4	9.78	19.3	9.10	18.6	8.76	18.1	8.43	17.0	7.78
	-13.7	-15.0	21.5	9.98	20.4	9.31	19.3	8.66	18.6	8.35	18.1	8.04	17.0	7.42
	-11.8	-13.0	21.5	9.48	20.4	8.87	19.3	8.24	18.6	7.94	18.1	7.64	17.0	7.07
	-9.8	-11.0	21.5	8.97	20.4	8.39	19.3	7.82	18.6	7.53	18.1	7.26	17.0	6.72
	-9.5	-10.0	21.5	8.73	20.4	8.16	19.3	7.61	18.6	7.34	18.1	7.07	17.0	6.54
	-8.5	-9.1	21.5	8.51	20.4	7.97	19.3	7.42	18.6	7.17	18.1	6.91	17.0	6.39
	-7.0	-7.6	21.5	8.16	20.4	7.67	19.3	7.13	18.6	6.88	18.1	6.64	17.0	6.15
	-5.0	-5.6	21.5	7.70	20.4	7.22	19.3	6.74	18.6	6.51	18.1	6.28	17.0	5.82
	-3.0	-3.7	21.5	7.29	20.4	6.84	19.3	6.39	18.6	6.17	18.1	5.96	17.0	5.53
	0.0	-0.7	21.5	6.69	20.4	6.28	19.3	5.89	18.6	5.68	18.1	5.49	17.0	5.11
	3.0	2.2	21.5	6.16	20.4	5.79	19.3	5.43	18.6	5.25	18.1	5.09	17.0	4.73
	5.0	4.1	21.5	5.85	20.4	5.49	19.3	5.15	18.6	4.99	18.1	4.83	17.0	4.50
	7.0	6.0	21.5	5.55	20.4	5.22	19.3	4.91	18.6	4.75	18.1	4.60	17.0	4.30
	9.0	7.9	21.5	5.26	20.4	4.96	19.3	4.66	18.6	4.53	18.1	4.38	17.0	4.09
	11.0	9.8	21.5	5.00	20.4	4.72	19.3	4.45	18.6	4.31	18.1	4.17	17.0	3.90
13.0	11.8	21.5	4.76	20.4	4.49	19.3	4.23	18.6	4.11	18.1	3.97	17.0	3.73	
15.0	13.7	21.5	4.53	20.4	4.28	19.3	4.04	18.6	3.92	18.1	3.79	17.0	3.55	
18.0	16.8	21.5	4.31	20.4	4.09	19.3	3.88	18.6	3.75	18.1	3.63	17.0	3.39	
20.0	18.5	21.5	4.11	20.4	3.92	19.3	3.73	18.6	3.62	18.1	3.48	17.0	3.24	
24.0	20.5	21.5	3.92	20.4	3.75	19.3	3.47	18.6	3.49	18.1	3.34	17.0	3.10	



4.4 Correction of Capacity Along with Piping Length and Height Drop

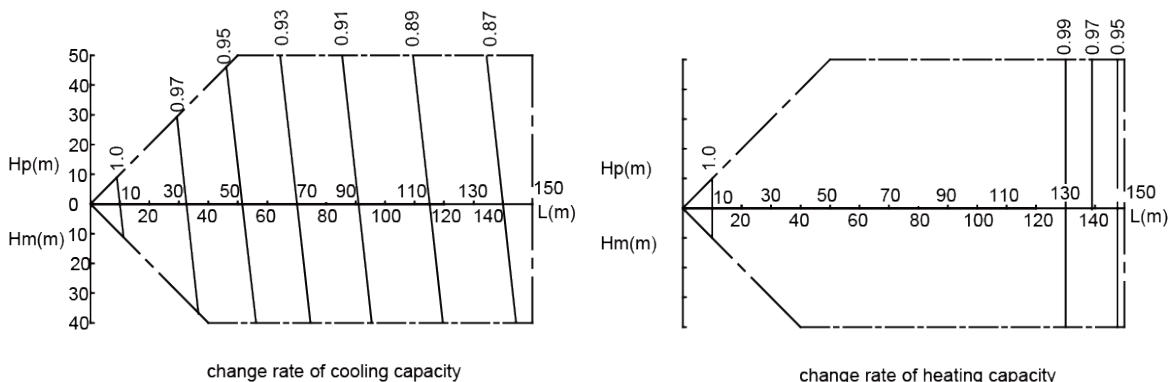
(1) Symbol instruction:

Hp: Height difference (m) between indoor unit and outdoor unit when indoor unit is lower than outdoor unit;

Hm: Height difference (m) between indoor unit and outdoor unit when indoor unit is higher than outdoor unit;

L: Single-pass equivalent connection pipe length L

(2) The following chart is the capacity change rate in 100% load under standard condition (thermostat is set in 16°C in cooling and set in 30°C in heating).



Notes for correction of the long connection pipe:

① The above connection of long connection pipe indicates the maximum capacity under the standard indoor unit capacity configuration.

② Set out below are some load configurations:

Maximum system capacity: the smaller one of the indoor unit capacity and the maximum outdoor unit capacity (two algorithms are provided below)

(1) When the configuration ratio of indoor unit is less than 100%

Maximum outdoor unit capacity = Capacity when the configuration ratio is 100% in the outdoor unit capacity correction table × Long connection pipe correction coefficient of the longest indoor unit distance.

(2) When the configuration ratio of indoor unit reaches 100%

Maximum outdoor unit capacity = Capacity of the corresponding configuration ratio in the outdoor unit capacity correction table × Long connection pipe correction coefficient of the longest indoor unit distance.

5 REFRIGERANT PIPING DESIGN

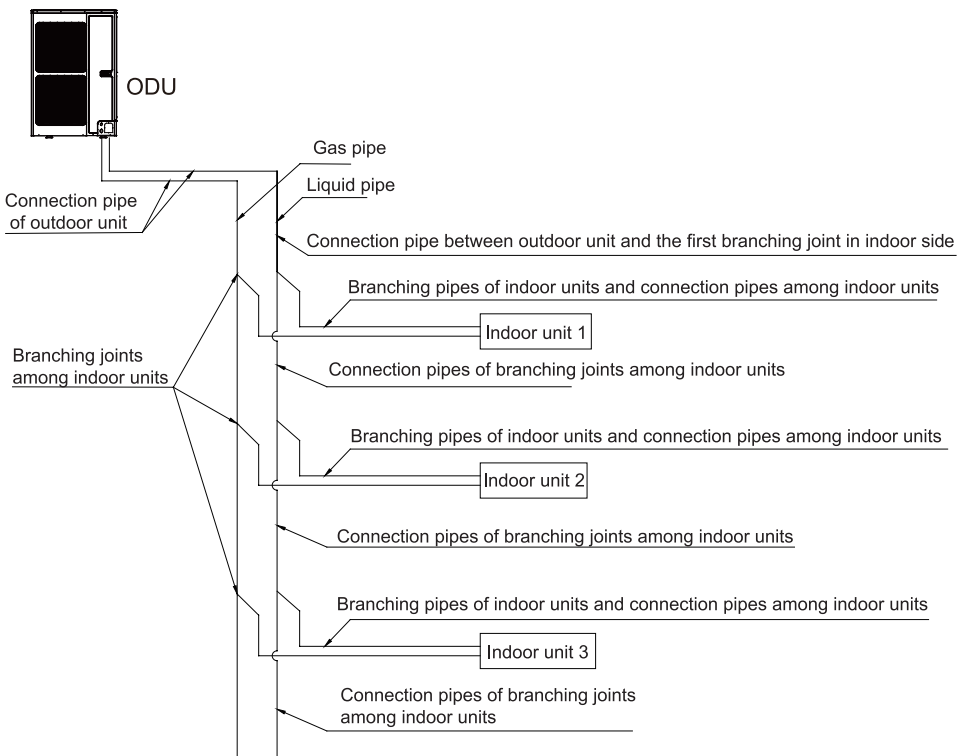
5.1 Warning on refrigerant leakage

(1) Introduction of leakage detection method
 Procedures of leakage detection. Before ex-factory, the cut-off valves of gas pipe and liquid pipe of outdoor unit are closed. Please confirm it before installation. Before testing, apply some suitable lubricant on the joint of cap and pipe. Use two wrenches when fixing the cap. Connecting outdoor pipeline for testing is not allowed during leakage detection. The testing pressure of R410A system is 4.15MPa (for R22 system, it is 3.0Mpa). The medium of airproof test must be dry nitrogen. Increase the pressure slowly in three steps:

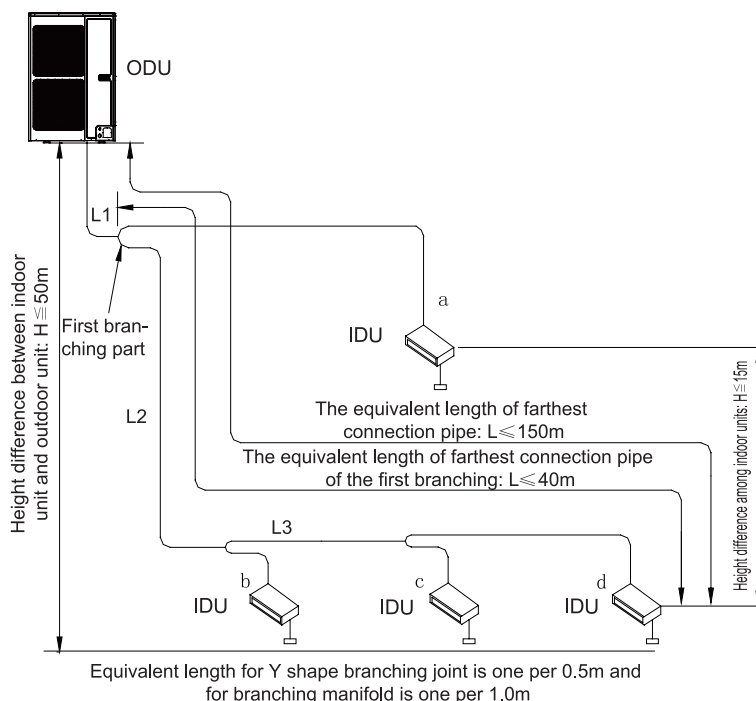
- Step one: Slowly increase pressure to 0.5MPa and maintain pressure for 5min. Big leakage may be found during leakage detection;
- Step two: Slowly increase pressure to 1.5MPa and maintain pressure for 5min. Small leakage may be found during airproof test;
- Step three: For R410A system, slowly increase pressure to 4.15MPa (for R22 system, it is 3.0Mpa) and maintain pressure for 5min. Tiny leakage may be found during strength test. Increase pressure to testing pressure and maintain pressure for 24h. Check if the pressure decreases. The test is passed if pressure doesn't decrease.

(2) Introduction of handling method of leakage
 Firstly, discharge the refrigerant and then charge nitrogen for leakage welding. The nitrogen charging way is the same as that in airproof test. Blow away the impurities and clean the pipeline after finishing welding. Finally, rearrange airproof test for leakage detection until there is no leakage.

5.2 Free branching system



5.3 Allowable length/height difference of refrigerant piping



Note: The equivalent length of one Y shape branching joint is 0.5m.

GMV-80WL/A-T, GMV-100WL/A-T, GMV-121WL/A-T, GMV-80WL/C-T, GMV-100WL/C-T, GMV-121WL/C-T

		Allowable value(m)	Piping section	
Pipe length	Total extension of pipe (Liquid pipe, real length)	250	$L1 + L2 + L3 + a + b + c + d$	
	Farthest piping length	Real length	$L1 + L2 + L3 + d$	
		Equivalent length		120
	Equivalent length of farthest piping from 1st branching	40	$L2 + L3 + d$	
Height difference	Height between indoor and outdoor units	Upper outdoor unit	30	—
		Lower outdoor unit	30	—
	Height between indoor units	Upper outdoor unit	10	—
		Lower outdoor unit	10	—

GMV-141WL/C-T, GMV-120WL/A-T, GMV-140WL/A-T, GMV-160WL/A-T, GMV-120WL/A-X, GMV-140WL/A-X, GMV-160WL/A-X, GMV-120WL/C-T, GMV-140WL/C-T, GMV-160WL/C-T, GMV-120WL/C-X, GMV-140WL/C-X, GMV-160WL/C-X

		Allowable value(m)	Piping section	
Pipe length	Total extension of pipe (Liquid pipe, real length)	300	$L1 + L2 + L3 + a + b + c + d$	
	Farthest piping length	Real length	$L1 + L2 + L3 + d$	
		Equivalent length		150
	Equivalent length of farthest piping from 1st branching	40	$L2 + L3 + d$	
Height difference	Height between indoor and outdoor units	Upper outdoor unit	50	—
		Lower outdoor unit	40	—
	Height between indoor units	Upper outdoor unit	15	—
		Lower outdoor unit	15	—

➤ GMV-224WL/C-X,GMV-280WL/C-X,GMV-335WL/C-X,GMV-280WL/C1-X,GMV-335WL/C1-X

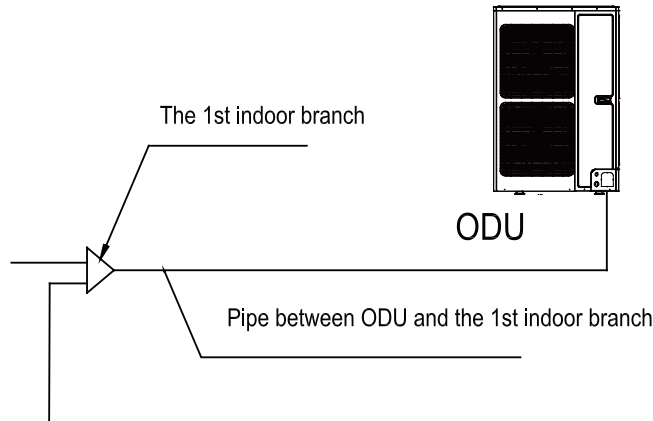
		Allowable value(m)	Piping section
Pipe length	Total extension of pipe (Liquid pipe, real length)	300	L1+L2+L3+a+b+c+d
	Farthest piping length	Real length	L1+L2+L3+d
		Equivalent length	
	Equivalent length of farthest piping from 1st branching	40	L2+L3+d
Height difference	Height between indoor and outdoor units	Upper outdoor unit	—
		Lower outdoor unit	—
	Height between indoor units	Upper outdoor unit	—
		Lower outdoor unit	—



5.4 Selection of refrigerant piping

(1) Size of main pipe

Dimension of pipe from ODU to the 1st indoor branch will be determined by the dimension of outdoor connection pipe.

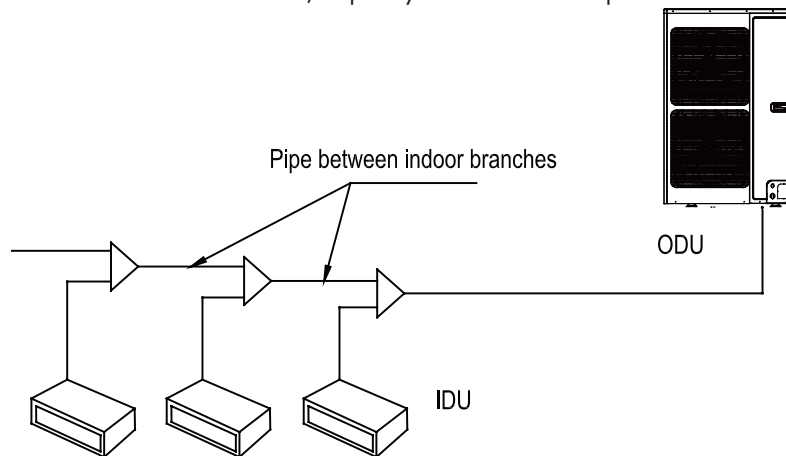


Model	Gas pipe(mm)	Liquid pipe(mm)
GMV-80WL/A-T GMV-100WL/A-T GMV-121WL/A-T GMV-80WL/C-T GMV-100WL/C-T GMV-121WL/C-T GMV-141WL/C-T	Φ 15.9	Φ 9.52
GMV-120WL/A-T GMV-120WL/A-X GMV-120WL/C-T GMV-120WL/C-X	Φ 15.9	Φ 9.52
GMV-140WL/A-T GMV-140WL/A-X GMV-140WL/C-T GMV-140WL/C-X	Φ 15.9	Φ 9.52
GMV-160WL/A-T GMV-160WL/A-X GMV-160WL/C-T GMV-160WL/C-X GMV-224WL/C-X	Φ 19.05	Φ 9.52
GMV-280WL/C-X GMV-280WL/C1-X	Φ 22.2	Φ 9.52
GMV-335WL/C-X GMV-335WL/C-X	Φ 25.4	Φ 12.7

Dc Inverter Multi VRF System Technical Sales Guide

(2) Pipe size between branching joints

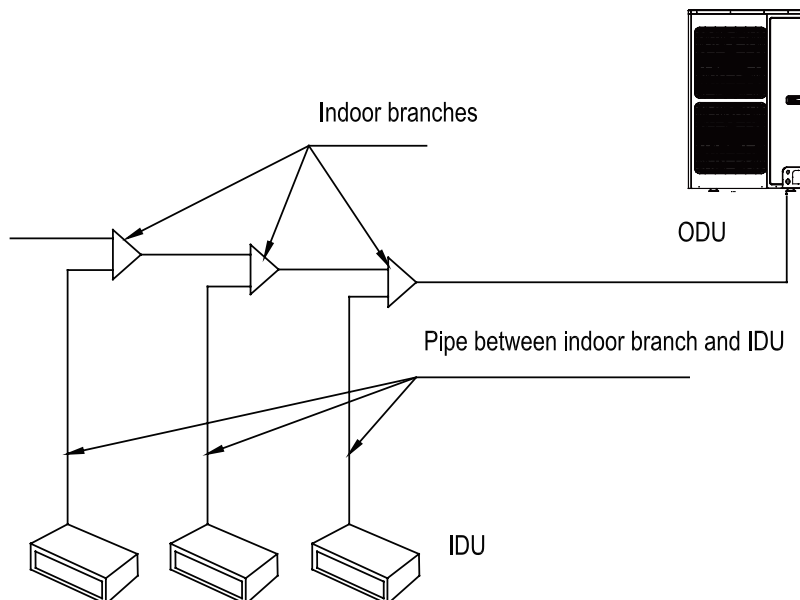
Select pipe between indoor branches according to the capacity of downstream indoor units; if the capacity exceeds that of the outdoor unit, capacity of outdoor unit prevails.



Total capacity code of indoor units at downstream side(kW)	Gas pipe(mm)	Liquid pipe(mm)
$C \leq 5.6$	$\Phi 12.7$	$\Phi 6.35$
$5.6 < C \leq 14.2$	$\Phi 15.9$	$\Phi 9.52$
$14.2 < C \leq 22.0$	$\Phi 19.05$	$\Phi 9.52$
$22.4 < C \leq 33.5$	$\Phi 25.4$	$\Phi 12.7$

(3) Piping of indoor unit

Dimension of pipe between indoor branch and IDU should be consistent with the dimension of indoor pipe.



Capacity rank of indoor unit(kW)	Gas pipe(mm)	Liquid pipe(mm)
$C \leq 2.8$	$\Phi 9.52$	$\Phi 6.35$
$2.8 < C \leq 5.0$	$\Phi 12.7$	$\Phi 6.35$
$5.0 < C \leq 14.0$	$\Phi 15.9$	$\Phi 9.52$
$14.0 < C \leq 16.0$	$\Phi 19.05$	$\Phi 9.52$
$16.0 < C \leq 28.0$	$\Phi 22.2$	$\Phi 9.52$

Dc Inverter Multi VRF System Technical Sales Guide

confirmed according to liquid pipe size in field and its length.

- ③ Record additional refrigerant charge amount for future reference.

Note:

As for 120/140/160 model, if the total length of liquid pipe is less than 20m, no additional refrigerant is needed.

(3) Calculation of the amount of additional refrigerant

Calculation method of the quantity of additional refrigerant (based on liquid pipe)

Quantity of additional refrigerant = \sum length of liquid pipe X quantity of additional refrigerant per meter

Quantity of additional refrigerant per meter for liquid pipe (kg/m)					
Φ 22.2	Φ 19.05	Φ 15.9	Φ 12.7	Φ 9.52	Φ 6.35
0.35	0.25	0.17	0.11	0.054	0.022

When the compressor is not working after ensuring there is no leakage, charge the required additional refrigerant amount to the unit from the valve of liquid pipe of outdoor unit. When the pipe pressure increases and the additional refrigerant can't be charged to the required amount quickly, please set the unit in cooling operation status and charge refrigerant from the low pressure maintenance port of outdoor unit.

5.5.2 New adding refrigerant calculation

(1) Refrigerant quantity of outdoor unit before delivery:

Model name	GMV-80WL/A-T	GMV-100WL/A-T	GMV-121WL/A-T	GMV-80WL/C-T	GMV-100WL/C-T	GMV-121WL/C-T	GMV-120WL/C-T	GMV-141WL/C-T	GMV-140WL/C-T	GMV-160WL/C-T	GMV-120WL/C-X	GMV-140WL/C-X	GMV-160WL/C-X
Refrigerant Qty (kg)	1.8	1.8	2.0	1.8	1.8	2.0	3.3	3.3	3.3	3.3	3.3	3.3	3.3

Note:

- ① The refrigerant amount charged before delivery doesn't include the amount that needs to be added to indoor units and the connection pipeline.
- ② Length of connection pipe is decided on site. Therefore the amount of additional refrigerant shall be decided on site according to the dimension and length of field-installed liquid pipe.
- ③ Record the amount of additional refrigerant for convenience of after-sales service.

(2) Calculation of the amount of additional refrigerant

Calculation method of the quantity of additional refrigerant (based on liquid pipe)

Quantity of additional refrigerant = \sum length of liquid pipe × quantity of additional refrigerant per meter + (quantity of indoor unit - 2) × 0.3

Quantity of additional refrigerant per meter for liquid pipe (kg/m)					
Φ 22.2	Φ 19.05	Φ 15.9	Φ 12.7	Φ 9.52	Φ 6.35
0.35	0.25	0.17	0.11	0.054	0.022

When the compressor is not working after ensuring there is no leakage, charge the required additional refrigerant amount to the unit from the valve of liquid pipe of outdoor unit. When the pipe pressure increases and the additional refrigerant can't be charged to the required amount quickly, please set the unit in cooling operation status and charge refrigerant from the low pressure maintenance port of outdoor unit.

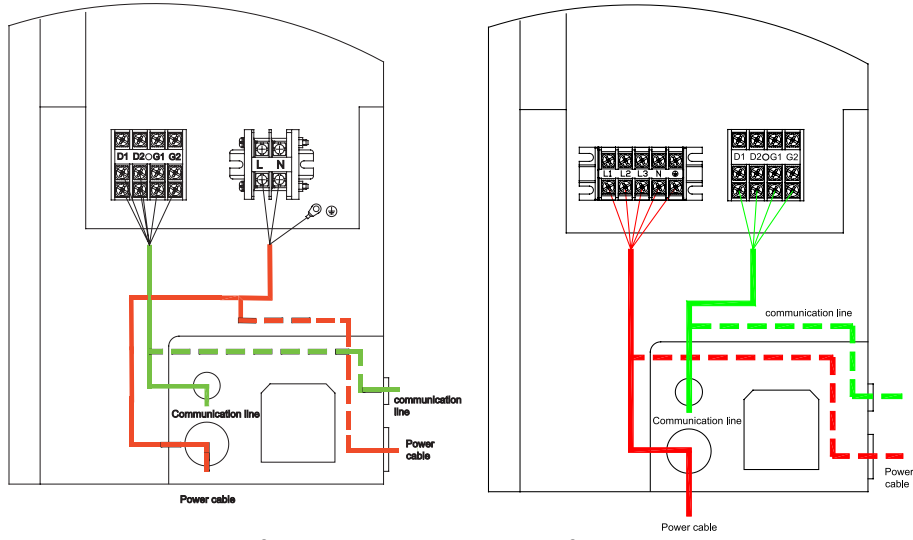
6 WIRING DESIGN

6.1 General wiring principle

- (1) All electrical work shall be done by professionals according to national and local laws and regulations.
- (2) The unit must be grounded reliably according to the related requirement of GB 50169.
- (3) Connect wire according to the wiring diagram stuck on the unit.

6.2 Electrical wiring design

(1) Wiring drawing



There are two wiring diagrams for communication wires of indoor/outdoor units and remote monitor:

- 1) Real line method;
- 2) Broken line method. Please select it based on the actual installation situation.

There are two wiring diagrams for power cord:

- 1) Real line method;
- 2) Broken line method. Please select it based on the actual installation situation.

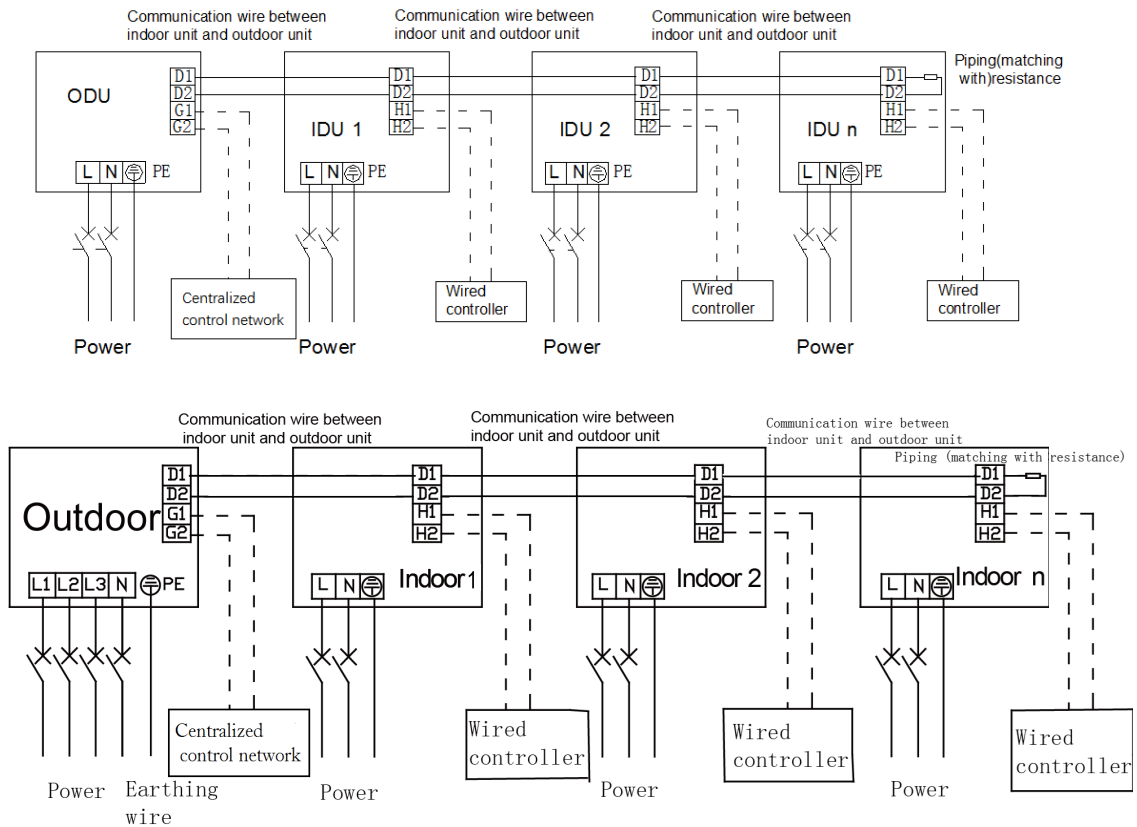
(2) Selection of power supply cord and fuse of units

Model	Power supply wiring	
	Wire size (mm ²)	Field fuse (A)
GMV-80WL/A-T	2.50	25
GMV-100WL/A-T	2.50	25
GMV-121WL/A-T	2.50	25
GMV-80WL/C-T	2.50	25
GMV-100WL/C-T	2.50	25
GMV-121WL/C-T	2.50	25
GMV-141WL/C-T	6.00	40
GMV-120WL/A-T	4.00	32
GMV-120WL/C-T	4.00	32
GMV-140WL/A-T	4.00	32
GMV-140WL/C-T	6.00	40
GMV-160WL/A-T	6.00	40
GMV-160WL/C-T	6.00	40

Dc Inverter Multi VRF System Technical Sales Guide

Model	Power supply wiring	
	Wire size (mm ²)	Field fuse (A)
GMV-120WL/A-X	2.50	16
GMV-120WL/C-X	1.50	16
GMV-140WL/A-X	2.50	16
GMV-140WL/C-X	1.50	16
GMV-160WL/A-X	2.50	16
GMV-160WL/C-X	1.50	16
GMV-224WL/C-X	2.50	20
GMV-280WL/C-X	2.50	25
GMV-335WL/C-X	2.50	32
GMV-280WL/C1-X	2.50	25
GMV-335WL/C1-X	2.50	32

6.3 Wiring diagram of units





6.4 Parameters

(1) Outdoor unit

Model name	Voltage Range		Fan Motor
	Min	Max	kW
GMV-80WL/A-T	208	240	0.15
GMV-100WL/A-T	208	240	0.15
GMV-121WL/A-T	208	240	0.15
GMV-80WL/C-T	208	240	0.15
GMV-100WL/C-T	208	240	0.15
GMV-121WL/C-T	208	240	0.15
GMV-141WL/C-T	208	240	0.15
GMV-120WL/A-T	208	240	0.12
GMV-120WL/C-T	208	240	0.12
GMV-140WL/A-T	208	240	0.12
GMV-140WL/C-T	208	240	0.12
GMV-160WL/A-T	208	240	0.12
GMV-160WL/C-T	208	240	0.12
GMV-120WL/A-X	380	415	0.12
GMV-120WL/C-X	380	415	0.12
GMV-140WL/A-X	380	415	0.12
GMV-140WL/C-X	380	415	0.12
GMV-160WL/A-X	380	415	0.12
GMV-160WL/C-X	380	415	0.12
GMV-224WL/C-X	380	415	0.17
GMV-280WL/C-X	380	415	0.25
GMV-335WL/C-X	380	415	0.25
GMV-280WL/C1-X	380	415	0.25
GMV-335WL/C1-X	380	415	0.25

7 ACCESSORIES

Model name	Standard	Option	Provide for oneself
GMV-80WL/A-T	√		
GMV-100WL/A-T	√		
GMV-80WL/C-T	√		
GMV-100WL/C-T	√		
GMV-121WL/C-T	√		
GMV-141WL/C-T	√		
GMV-120WL/A-T	√		
GMV-120WL/C-T	√		
GMV-120WL/C-X	√		
GMV-140WL/A-T	√		
GMV-140WL/C-T	√		
GMV-120WL/C-X	√		
GMV-160WL/A-T	√		

Dc Inverter Multi VRF System Technical Sales Guide

Model name	Standard	Option	Provide for oneself
GMV-160WL/C-T	√		
GMV-160WL/C-X	√		
FQ01A Y shape branching joint		√	
Condensate pipe			√
Power cord			√
Filter		√	
Signal wires among units	√		
Signal wires among units	√		

8 TECHNICAL SPECIFICATIONS

Model	-	GMV-80WL/A-T	GMV-100WL/A-T	GMV-121WL/A-T
Cooling capacity	kW	8	10	12.1
Heating capacity	kW	9	11	13
Air volume	m ³ /h	3900	4000	4400
Noise (sound pressure level)	dB(A)	56	56	57
Power supply	-	220-240V ~ 50Hz 208-230V ~ 60Hz	220-240V ~ 50Hz 208-230V ~ 60Hz	220-240V ~ 50Hz 208-230V ~ 60Hz
Cooling power input	kW	2.00	2.70	3.20
Heating power input	kW	1.90	2.40	3.00
Cooling current input	A	10.7	14.4	17.1
Heating current input	A	10.1	12.8	16.0
Maximum power input	kW	4.00	4.20	4.50
Maximum current	A	21.4	22.4	24.0
Compressor type	-	Inverter Rotary	Inverter Rotary	Inverter Rotary
Number of compressors	N	1	1	1
Ambient temperature range of cooling	°C	-5~52	-5~52	-5~52
Ambient temperature range of heating	°C	-20~27	-20~27	-20~27
Refrigerant type	-	R410A	R410A	R410A
Refrigerant charge volume	kg	1.8	1.8	2.0
Maximum qty of connected indoor units	unit	4	5	6
Gas pipe size	mm	Φ 15.9	Φ 15.9	Φ 15.9
Liquid pipe size	mm	Φ 9.52	Φ 9.52	Φ 9.52
External dimension (width)	mm	980	980	980
External dimension (depth)	mm	360	360	360
External dimension (height)	mm	790	790	790
Packaging dimension (width)	mm	1097	1097	1097
Packaging dimension (depth)	mm	477	477	477
Packaging dimension (height)	mm	937	937	937
Net weight	kg	80	80	85
Gross weight	kg	90	90	95

Model	-	GMV-120WL/A-T	GMV-140WL/A-T	GMV-160WL/A-T
Cooling capacity	kW	12.1	14.0	16.0
Heating capacity	kW	14.0	16.5	18.5
Air volume	m ³ /h	6000	6300	6600
Noise (sound pressure level)	dB(A)	55	56	58
Power supply	-	220-240V ~ 50Hz 208-230V ~ 60Hz	220-240V ~ 50Hz 208-230V ~ 60Hz	220-240V ~ 50Hz 208-230V ~ 60Hz
Cooling power input	kW	3.05	3.98	4.85
Heating power input	kW	3.27	3.99	4.67
Cooling current input	A	15	19.2	23.4
Heating current input	A	15.8	19.3	23
Maximum power input	kW	5.7	6.3	6.8
Maximum current	A	28.1	31.8	33.6
Compressor type	-	Inverter Rotary	Inverter Rotary	Inverter Rotary
Number of compressors	N	1	1	1
Ambient temperature range of cooling	°C	-5~52	-5~52	-5~52
Ambient temperature range of heating	°C	-20~27	-20~27	-20~27
Refrigerant type	-	R410A	R410A	R410A
Refrigerant charge volume	kg	5.0	5.0	5.0
Maximum qty of connected indoor units	unit	7	8	9
Gas pipe size	mm	Φ 15.9	Φ 15.9	Φ 19.05
Liquid pipe size	mm	Φ 9.52	Φ 9.52	Φ 9.52
External dimension (width)	mm	900	900	900
External dimension (depth)	mm	340	340	340
External dimension (height)	mm	1345	1345	1345
Packaging dimension (width)	mm	998	998	998
Packaging dimension (depth)	mm	458	458	458
Packaging dimension (height)	mm	1500	1500	1500
Net weight	kg	110	110	110
Gross weight	kg	120	120	120

Model	-	GMV-120WL/A-X	GMV-140WL/A-X	GMV-160WL/A-X
Cooling capacity	kW	12.1	14.0	16.0
Heating capacity	kW	14.0	16.5	18.5
Air volume	m ³ /h	6000	6300	6600
Noise (sound pressure level)	dB(A)	55	56	58
Power supply	-	380-415V ~ 50Hz 380-415V ~ 60Hz	380-415V ~ 50Hz 380-415V ~ 60Hz	380-415V ~ 50Hz 380-415V ~ 60Hz
Cooling power input	kW	3.05	3.98	4.85
Heating power input	kW	3.27	3.99	4.67
Cooling current input	A	5.2	6.4	7.6
Heating current input	A	5.8	6.8	7.8
Maximum power input	kW	6.2	6.7	7.02
Maximum current	A	11.1	11.4	11.9
Compressor type	-	Inverter Rotary	Inverter Rotary	Inverter Rotary
Number of compressors	N	1	1	1

Dc Inverter Multi VRF System Technical Sales Guide

Model	-	GMV-120WL/A-X	GMV-140WL/A-X	GMV-160WL/A-X
Ambient temperature range of cooling	°C	-5~52	-5~52	-5~52
Ambient temperature range of heating	°C	-20~27	-20~27	-20~27
Refrigerant type	-	R410A	R410A	R410A
Refrigerant charge volume	kg	5.0	5.0	5.0
Maximum qty of connected indoor units	unit	7	8	9
Gas pipe size	mm	Φ 15.9	Φ 15.9	Φ 19.05
Liquid pipe size	mm	Φ 9.52	Φ 9.52	Φ 9.52
External dimension (width)	mm	900	900	900
External dimension (depth)	mm	340	340	340
External dimension (height)	mm	1345	1345	1345
Packaging dimension (width)	mm	998	998	998
Packaging dimension (depth)	mm	458	458	458
Packaging dimension (height)	mm	1500	1500	1500
Net weight	kg	120	120	120
Gross weight	kg	130	130	130

model	-	GMV-80WL/ C-T	GMV-100WL/ C-T	GMV-121WL/ C-T	GMV-141WL/ C-T	GMV-120 WL/C-T
Cooling capacity	kW	8	10	12.1	14.1	12.1
Heating capacity	kW	9	11	13	16	14.0
Air volume	m ³ /h	3900	4000	4400	5200	6000
Noise (sound power level)	dB(A)	68	69	70	73	68
Power supply	-	220-240V ~ 50Hz 208-230V ~ 60Hz	220-240V ~ 50Hz 208-230V ~ 60Hz	220-240V ~ 50Hz 208-230V ~ 60Hz	220-240V ~ 50Hz 208-230V ~ 60Hz	220-240V ~ 50Hz 208-230V ~ 60Hz
Cooling power input	kW	2.05	2.70	3.45	3.92	3.03
Heating power input	kW	1.90	2.50	2.70	4.16	3.27
Cooling current input	A	11.0	14.4	18.4	20.9	16.2
Heating current input	A	10.1	13.4	14.4	22.2	17.5
Maximum power input	kW	4.00	4.20	4.50	6.7	5.7
Maximum current	A	21.4	22.4	24.0	35.8	30.4
Compressor type	-	Inverter Rotary	Inverter Rotary	Inverter Rotary	Inverter Rotary	Inverter Rotary
Number of compressors	N	1	1	1	1	1
Ambient temperature range of cooling	°C	-5~52	-5~52	-5~52	-5~52	-5~52
Ambient temperature range of heating	°C	-20~27	-20~27	-20~27	-20~27	-20~27
Refrigerant type	-	R410A	R410A	R410A	R410A	R410A
Refrigerant charge volume	kg	1.8	1.8	2.0	3.3	3.3
Maximum qty of connected indoor units	unit	4	5	6	8	7
Gas pipe size	mm	Φ 15.9	Φ 15.9	Φ 15.9	Φ 15.9	Φ 15.9
Liquid pipe size	mm	Φ 9.52	Φ 9.52	Φ 9.52	Φ 9.52	Φ 9.52
External dimension (width)	mm	980	980	980	940	900
External dimension (depth)	mm	360	360	360	460	340
External dimension (height)	mm	790	790	790	820	1345
Packaging dimension (width)	mm	1097	1097	1097	1023	998
Packaging dimension (depth)	mm	477	477	477	563	458
Packaging dimension (height)	mm	937	937	937	973	1500

Net weight	kg	80	80	85	98	112
Gross weight	kg	90	90	95	108	123
model	-	GMV-140WL/ C-T	GMV-160WL/ C-T	GMV-120WL/ C-X	GMV-140WL/ C-X	
Cooling capacity	kW	14.0	16.0	12.1	14.0	
Heating capacity	kW	16.5	18.0	14.0	16.5	
Air volume	m ³ /h	6300	6600	6000	6300	
Noise (sound power level)	dB(A)	69	69	68	69	
Power supply	-	220-240V ~ 50Hz 208-230V ~ 60Hz	220-240V ~ 50Hz 208-230V ~ 60Hz	380-415V ~ 50/60Hz	380-415V ~ 50/60Hz	
Cooling power input	kW	3.59	4.75	3.03	3.59	
Heating power input	kW	3.95	4.65	3.27	3.95	
Cooling current input	A	19.2	25.4	5.4	6.4	
Heating current input	A	21.1	24.8	5.8	7.1	
Maximum power input	kW	6.3	6.8	6.2	6.7	
Maximum current	A	33.7	36.3	11.1	12.0	
Compressor type	-	Inverter Rotary	Inverter Rotary	Inverter Rotary	Inverter Rotary	
Number of compressors	N	1	1	1	1	
Ambient temperature range of cooling	°C	-5~52	-5~52	-5~52	-5~52	
Ambient temperature range of heating	°C	-20~27	-20~27	-20~27	-20~27	
Refrigerant type	-	R410A	R410A	R410A	R410A	
Refrigerant charge volume	kg	3.3	3.3	3.3	3.3	
Maximum qty of connected indoor units	unit	8	9	7	8	
Gas pipe size	mm	Φ 15.9	Φ 19.05	Φ 15.9	Φ 15.9	
Liquid pipe size	mm	Φ 9.52	Φ 9.52	Φ 9.52	Φ 9.52	
External dimension (width)	mm	900	900	900	900	
External dimension (depth)	mm	340	340	340	340	
External dimension (height)	mm	1345	1345	1345	1345	
Packaging dimension (width)	mm	998	998	998	998	
Packaging dimension (depth)	mm	458	458	458	458	
Packaging dimension (height)	mm	1500	1500	1500	1500	
Net weight	kg	112	112	122	122	
Gross weight	kg	123	123	133	133	

model	-	GMV-160WL/ C-X	GMV-224WL/C-X	GMV-280WL/C-X	GMV-335WL/C-X	GMV-280WL/C1-X	GMV-335WL/C1-X
Cooling capacity	kW	16.0	22.4	28	33.5	28	33.5
Heating capacity	kW	18.0	24	30	35	28	33.5
Air volume	m ³ /h	6600	8000	11000	11000	11000	11000
Noise (sound power level)	dB(A)	69	74	74	76	80	81
Power supply	-	380-415V ~ 50Hz 380-415V ~ 60Hz	380-415V ~ 50Hz 380-415V ~ 60Hz	380-415V ~ 50Hz 380-415V ~ 60Hz	380-415V ~ 50Hz 380-415V ~ 60Hz	380-415V ~ 50Hz 380-415V ~ 60Hz	380-415V ~ 50Hz 380-415V ~ 60Hz
Cooling power input	kW	4.75	6.12	7.78	9.57	11.67	12.88
Heating power input	kW	4.65	4.90	6.12	7.14	8.00	10.47

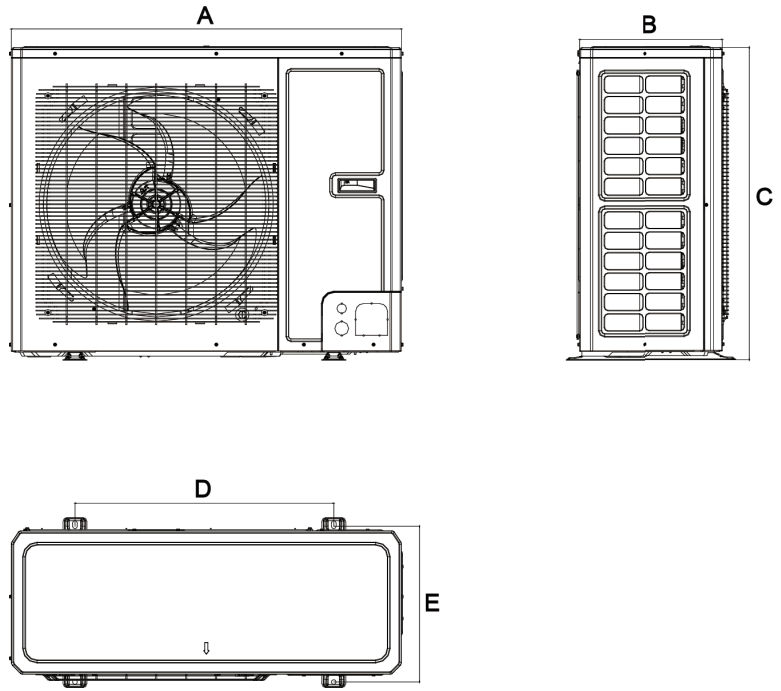
Dc Inverter Multi VRF System Technical Sales Guide

model	-	GMV-160WL/C-X	GMV-224WL/C-X	GMV-280WL/C-X	GMV-335WL/C-X	GMV-280WL/C1-X	GMV-335WL/C1-X
Cooling current input	A	8.5	10.9	13.9	17.1	17.0	18.5
Heating current input	A	8.3	8.8	10.9	12.8	14.0	16.5
Maximum power input	kW	7.02	9.6	12.5	13.7	12.5	13.7
Maximum current	A	12.5	17.2	22.4	24.5	22.5	24.5
Compressor type	-	Inverter Rotary	ROTARY	SCROLL	SCROLL	INVERTER ROTARY	INVERTER ROTARY
Number of compressors	N	1	1	1	1	1	1
Ambient temperature range of cooling	°C	-5~52	-5~52	-5~52	-5~52	-5~52	-5~52
Ambient temperature range of heating	°C	-20~27	-20~27	-20~27	-20~27	-20~27	-20~27
Refrigerant type	-	R410A	R410A	R410A	R410A	R410A	R410A
Refrigerant charge volume	kg	3.3	5.5	7.1	8	7.1	8.5
Maximum qty of connected indoor units	unit	9	13	17	20	17	20
Gas pipe size	mm	Φ 19.05	Φ 19.05	Φ 22.0	Φ 25.4	Φ 22.0	Φ 25.4
Liquid pipe size	mm	Φ 9.52	Φ 9.52	Φ 9.52	Φ 12.7	Φ 9.52	Φ 12.7
External dimension (width)	mm	900	940	940	940	940	940
External dimension (depth)	mm	340	320	460	460	460	460
External dimension (height)	mm	1345	1430	1615	1615	1615	1615
Packaging dimension (width)	mm	998	1038	1038	1038	1038	1038
Packaging dimension (depth)	mm	458	438	578	578	578	578
Packaging dimension (height)	mm	1500	1580	1765	1765	1765	1765
Net weight	kg	122	133	166	177	163	174
Gross weight	kg	133	144	183	194	175	184

Notes:

- ① Rated cooling capacity test conditions: indoor 27°C DB/19°C WB, outdoor 35°C DB; connection pipe length: 5 m, without height drop between units
- ② Rated heating capacity test conditions: indoor 20°C DB, outdoor 7°C DB/6 °C WB; connection pipe length: 5 m, without height drop between units
- ③ The total capacity of connected indoor units must be in the range of 50%~135% of the outdoor unit capacity. The relevant parameters can be corrected by referring to the unit capacity correction table.
- ④ The above parameters are tested based on the standard connection pipe length. In the actual project, the parameters should be corrected referring to the capacity correction for the long connection pipe of units

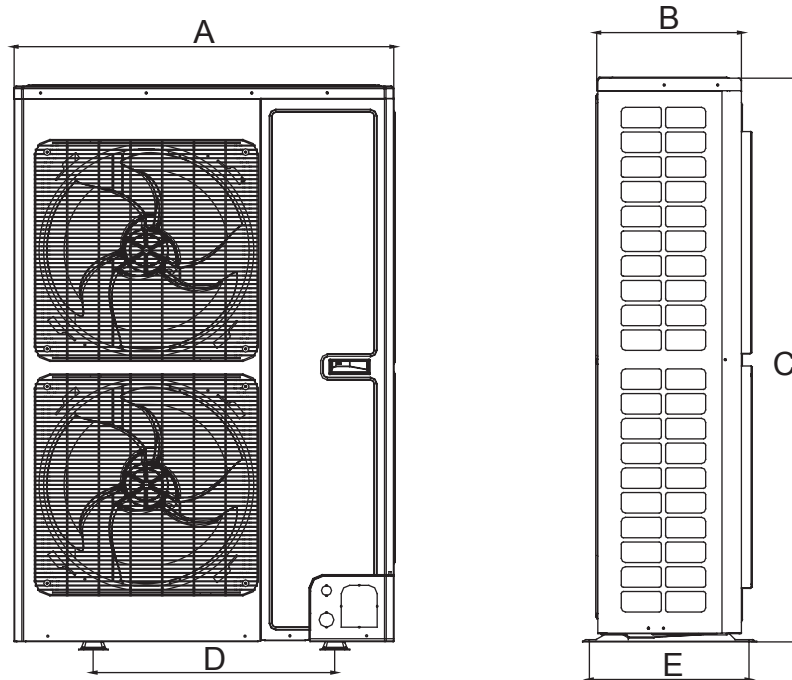
9 DIMENSIONAL DRAWINGS



Unit:mm

Model	A	B	C	D	E
GMV-80WL/A-T	980	360	790	650	395
GMV-100WL/A-T					
GMV-121WL/A-T					
GMV-80WL/C-T	940	460	820	610	486
GMV-100WL/C-T					
GMV-121WL/C-T					
GMV-141WL/C-T					

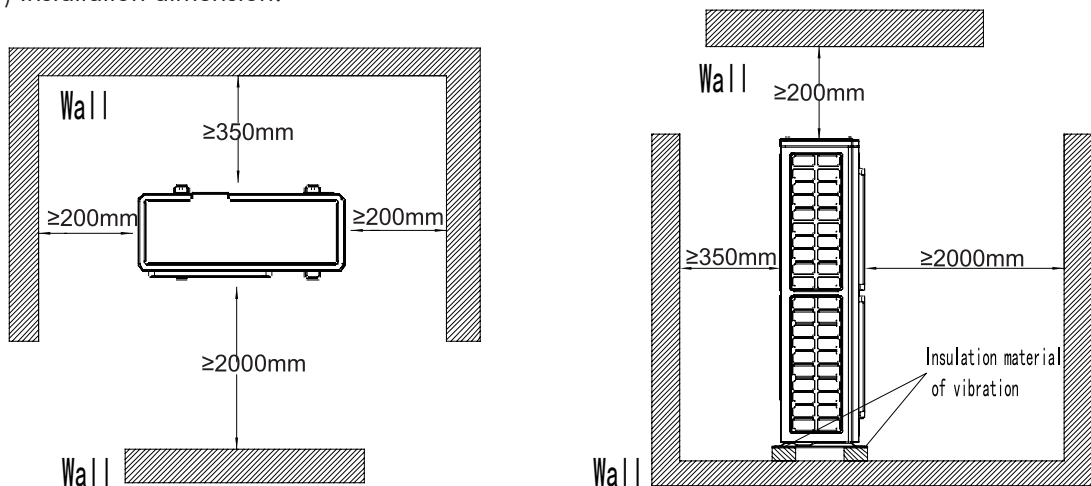
Dc Inverter Multi VRF System Technical Sales Guide



Unit:mm

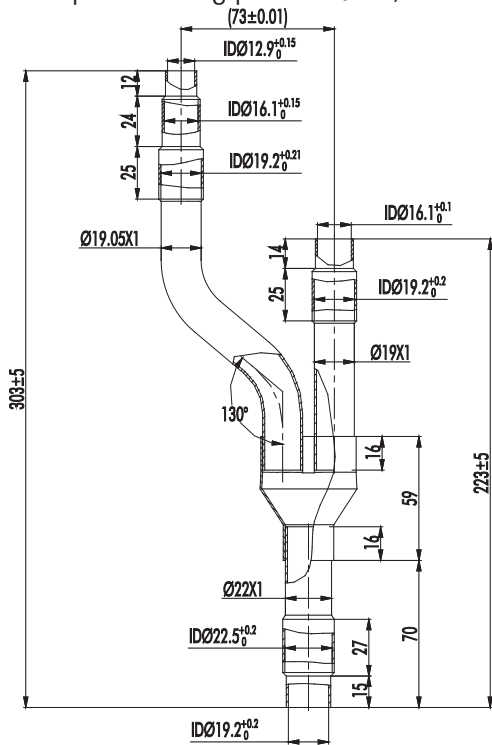
Model	A	B	C	D	E
GMV-120WL/A-T	900	340	1345	572	378
GMV-140WL/A-T					
GMV-160WL/A-T					
GMV-120WL/A-X					
GMV-140WL/A-X					
GMV-160WL/A-X					
GMV-120WL/C-T					
GMV-140WL/C-T					
GMV-160WL/C-T					
GMV-120WL/C-X					
GMV-140WL/C-X	940	320	1430	632	350
GMV-160WL/C-X					
GMV-224WL/C-X	940	460	1615	610	486
GMV-280WL/C-X					
GMV-335WL/C-X					
GMV-280WL/C1-X					
GMV-335WL/C1-X					

(1) Installation dimension:

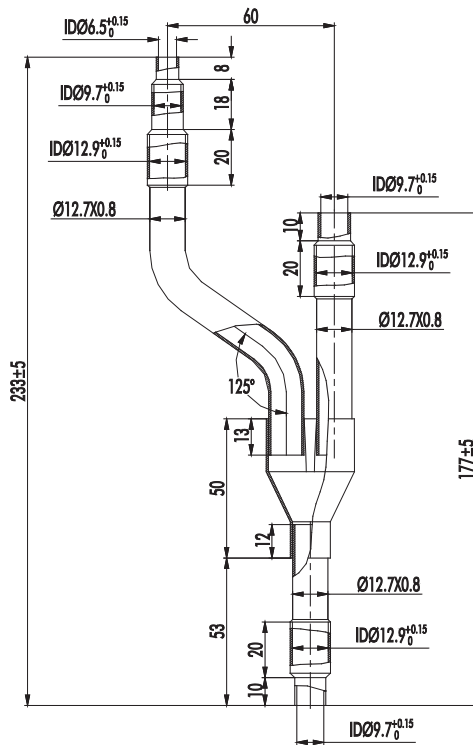


Dc Inverter Multi VRF System Technical Sales Guide

Y-shape branching joint: FQ01B/A

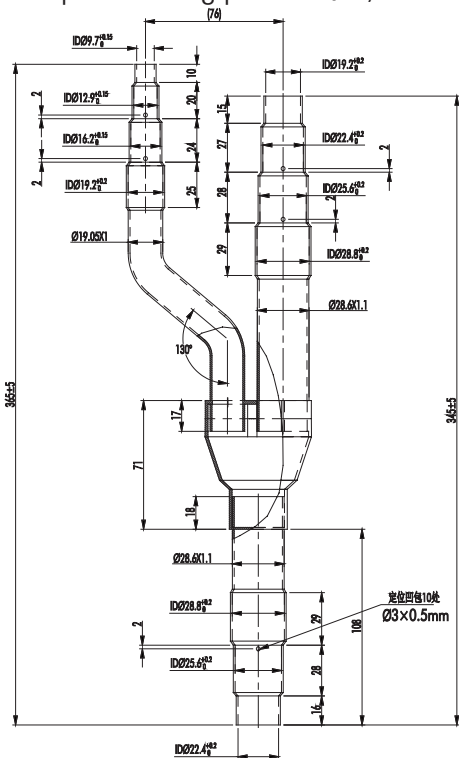


Gas pipe

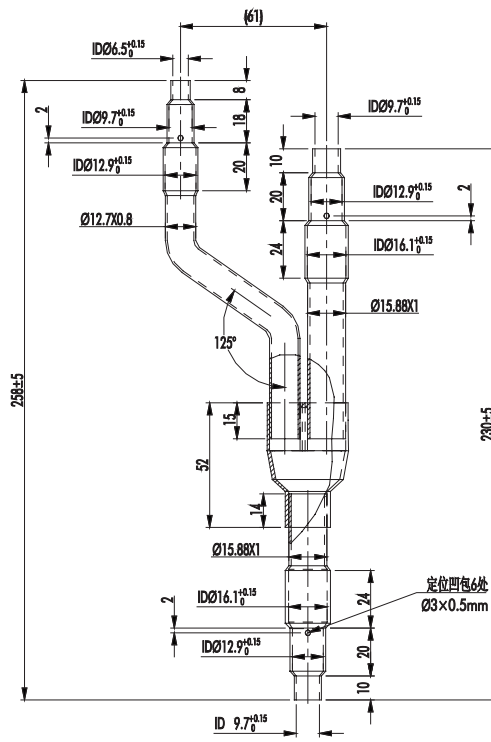


Liquid pipe

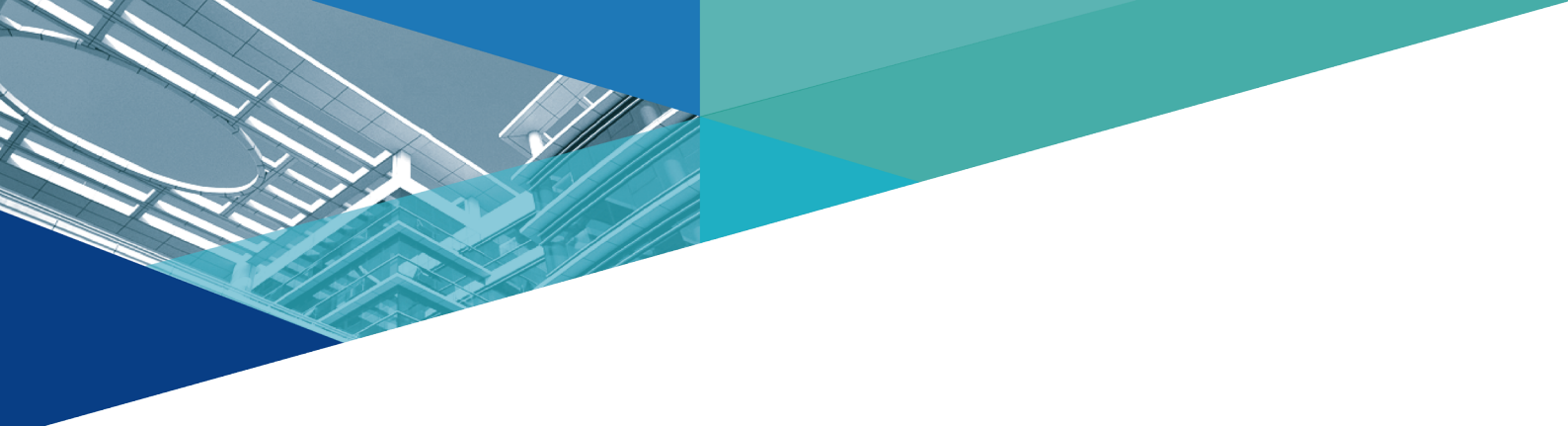
Y-shape branching joint: FQ02/A



Gas pipe



Liquid pipe



GREE ELECTRIC APPLIANCES, INC. OF ZHUHAI 519070

Add: West Jinji Rd, Qianshan Zhuhai, Guangdong, China

Tel: (+86-756)8522218

Fax: (+86-756)8669426

E-mail: gree@cn.gree.com www.gree.com

Code : SJ00422007