

MAINTENANCE

1 Troubleshooting

1.1 Malfunction List for the Wired Controller

Error Code	Content	Error Code	Content	Error Code	Content
L0	Indoor Unit Error	L9	Quantity Of Group Control Indoor Units Setting Error	d7	Humidity Sensor Error
L1	Indoor Fan Protection	LA	Indoor Units Incompatibility Error	d8	Water Temperature Sensor Error
L2	E-heater Protection	LH	Low Air Quality Warning	d9	Jumper Cap Error
L3	Water Full Protection	LC	Outdoor-Indoor Incompatibility Error	dA	Indoor Unit Hardware Address Error
L4	Wired Controller Power Supply Error	d1	Indoor Unit Circuit Board Error	dH	Wired Controller Circuit Board Error
L5	Anti-freezing Protection	d3	Ambient Temperature Sensor Error	dC	Capacity DIP Switch Setting Error
L7	No Master Indoor Unit Error	d4	Inlet Pipe Temperature Sensor Error	dL	Outlet Air Temperature Sensor Error
L8	Power Insufficiency Protection	d6	Outlet Pipe Temperature Sensor Error	dE	Indoor Unit CO ₂ Sensor Error
o1	Over low voltage of IDU bus	o2	Over high voltage of IDU bus	o3	IDU IPM module protection
o4	IDU startup failure	o5	IDU overcurrent protection	o6	IDU current detecting circuit error
o7	IDU non-synchronism protection	o8	IDU drive communication error	o9	Communication error of IDU master controller
oA	Over high temperature of IDU module	ob	Temperature sensor error of IDU module	oC	IDU charging circuit error
o0	Other drive error	db	Special Code: Field Debugging Code	-	-

1.2 Exception Analyzing and Troubleshooting

1.2.1 “d1” Indoor circuit board error

Error display: IDU wired controller and IDU receive light board will display



Error judgment condition and method:

Check if the reading of address chip and memory chip of IDU mainboard is normal. If the data of address chip and memory chip cannot be read, it is abnormal.

Possible reason:

- Address chip is abnormal
- Memory chip is abnormal. Replace main control board directly

Troubleshooting:

Replace main control board directly

1.2.2 “d3” Ambient temperature sensor error

Error display: IDU wired controller and IDU receive light board will display



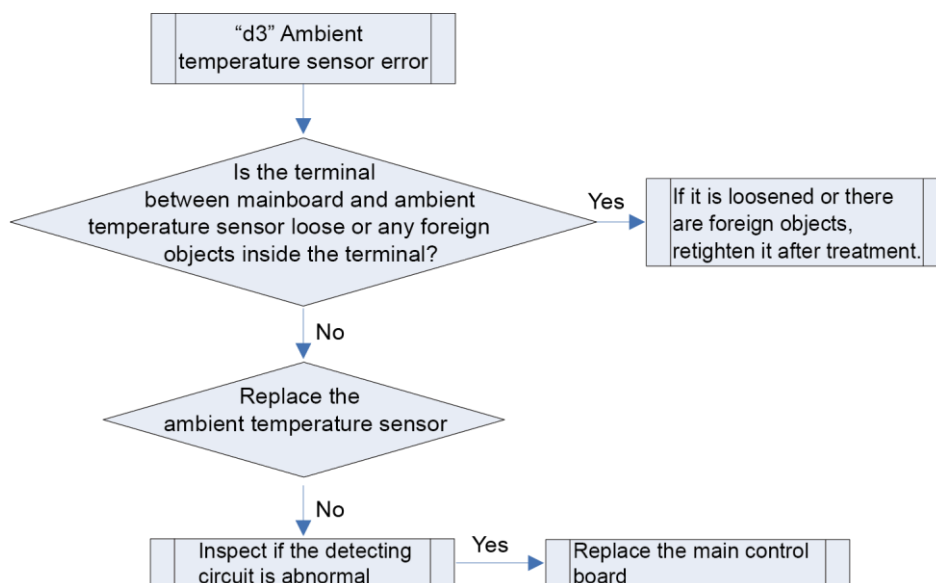
Error judgment condition and method:

Sample the AD value of temperature sensor through temperature sensor detecting circuit and judge the range of AD value, If the sampling AD value exceeds upper limit and lower limit in 5 seconds continuously, report the error.

Possible reason:

- Poor contact between ambient temperature sensor and terminal in mainboard interface
- Ambient temperature sensor is abnormal
- Detecting circuit is abnormal

Troubleshooting:



1.2.3 “d4” Inlet pipe temperature sensor error

Error display: IDU wired controller and IDU receive light board will display



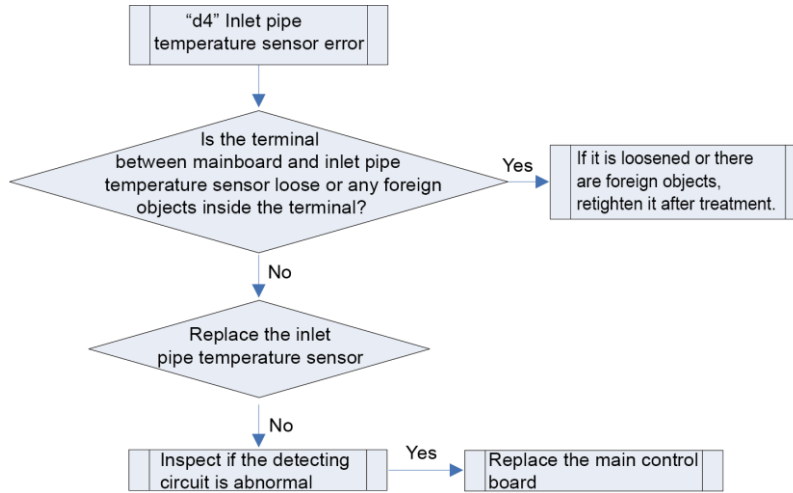
Error judgment condition and method:

Sample the AD value of temperature sensor through temperature sensor detecting circuit and judge the range of AD value. If the sampling AD value exceeds upper limit and lower limit in 5 seconds continuously, report the error.

Possible reason:

- Poor contact between inlet pipe temperature sensor and terminal in mainboard interface
- Inlet pipe temperature sensor is abnormal
- Detecting circuit is abnormal

Troubleshooting:



1.2.4 “d6” Outlet pipe temperature sensor error

Error display: IDU wired controller and IDU receive light board will display

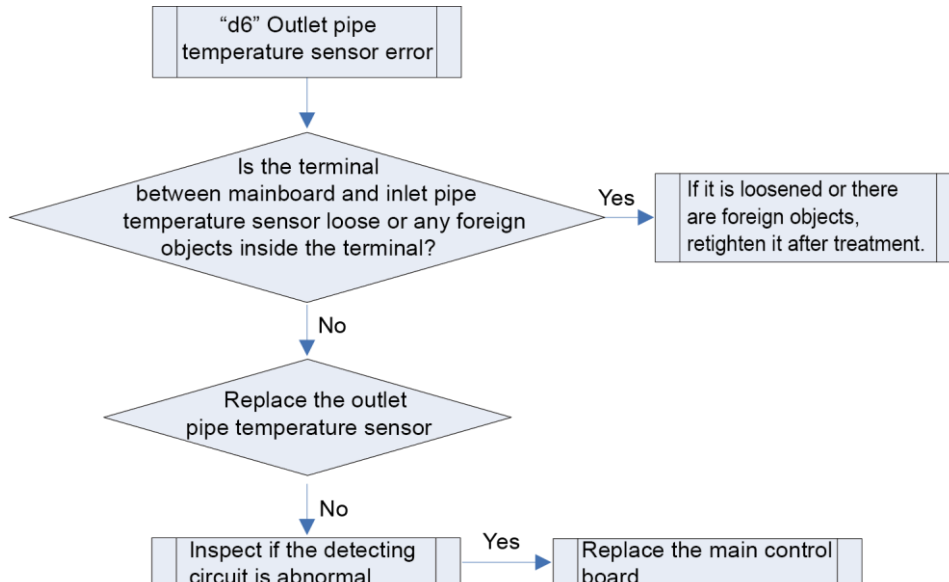


Error judgment condition and method:

Sample the AD value of temperature sensor through temperature sensor detecting circuit and judge the range of AD value. If the sampling AD value exceeds upper limit and lower limit in 5 seconds continuously, report the error.

Possible reason:

- Poor contact between outlet pipe temperature sensor and terminal in mainboard interface
- Outlet pipe temperature sensor is abnormal
- Detecting circuit is abnormal



1.2.5 “d7” Humidity sensor error

Error display: IDU wired controller and IDU receive light board will display



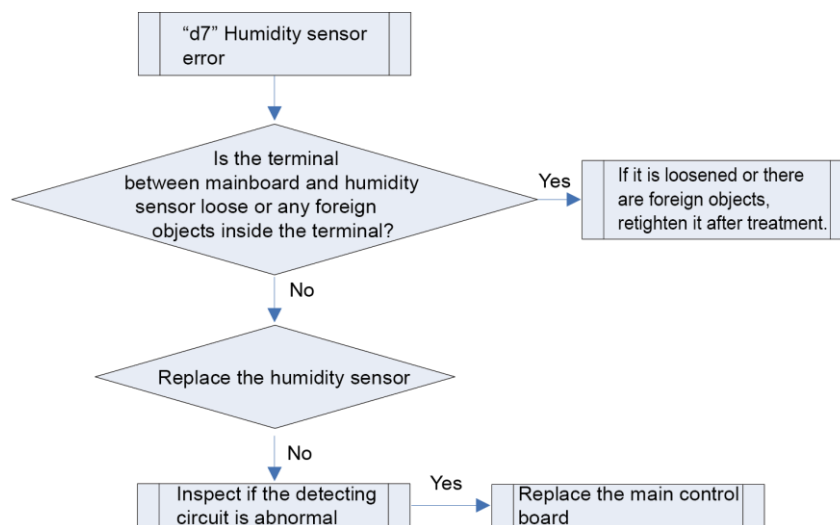
Error judgment condition and method:

Sample the AD value of temperature sensor through temperature sensor detecting circuit and judge the range of AD value. If the sampling AD value exceeds upper limit and lower limit in 5 seconds continuously, report the error.

Possible reason:

- Poor contact between humidity sensor and terminal in mainboard interface
- Humidity sensor is abnormal
- Detecting circuit is abnormal

Troubleshooting:



1.2.6 “d9” Jumper cap error

Error display: IDU wired controller and IDU receive light board will display



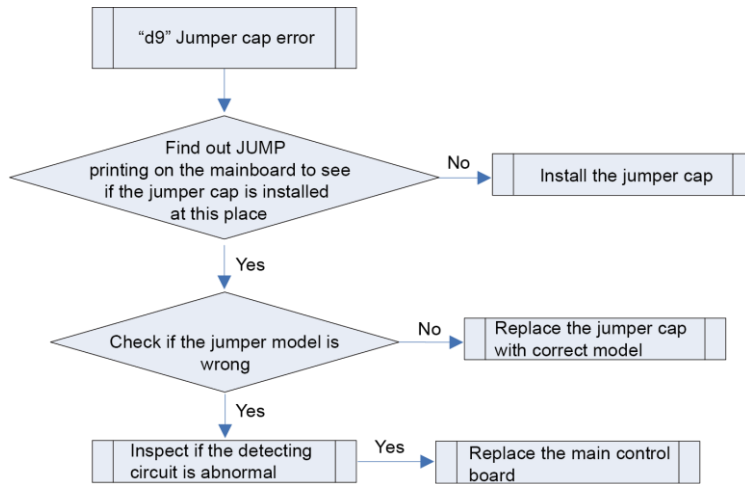
Error judgment condition and method:

Possible reason:

If jumper cap model doesn't match with mainboard, report the error

- Jumper cap is not installed
- Jumper cap model is wrong
- Detecting circuit is abnormal

Troubleshooting:



1.2.7 “dA” IDU network address error

Error display: IDU wired controller and IDU receive light board will display



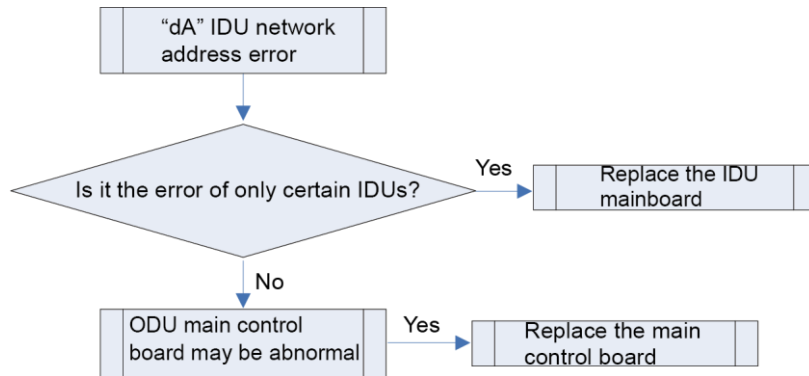
Error judgment condition and method:

Through testing the IDU address chip and IP address, if address chip cannot be read, IDU IP is 0 or IP is in conflict, report the error.

Possible reason:

- ODU allocated address is wrong
- IDU treatment is wrong
- Address chip is abnormal

Troubleshooting:



1.2.8 “dH” wired controller circuit board error

Error display: IDU wired controller and IDU receive light board will display

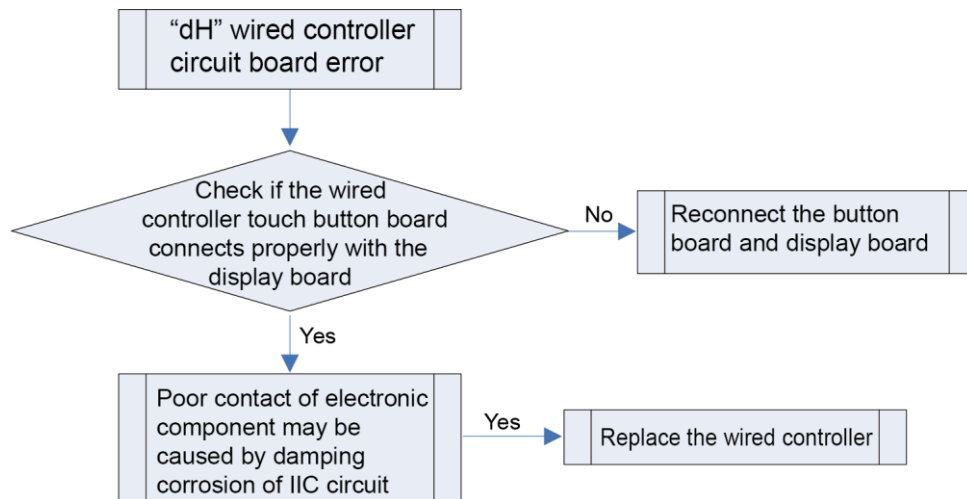


Error judgment condition and method:

Wired controller IIC communication is abnormal

Possible reason:

- Communication of wired controller touch button board and display board IIC is abnormal;
- Read and write of wired controller memory chip IIC is abnormal (when memory chip is existed);

Troubleshooting:**1.2.9 “dC” Capacity DIP switch setting error**

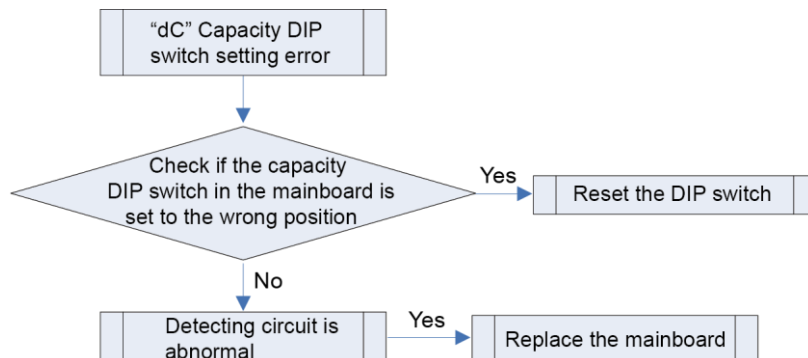
Error display: IDU wired controller and IDU receive light board will display

**Error judgment condition and method:**

If capacity DIP switch is set to the wrong position, report the error.

Possible reason:

- Capacity DIP switch is set to the wrong position
- Detecting circuit is abnormal

Troubleshooting:**1.2.10 “dL” Air outlet temperature sensor error**

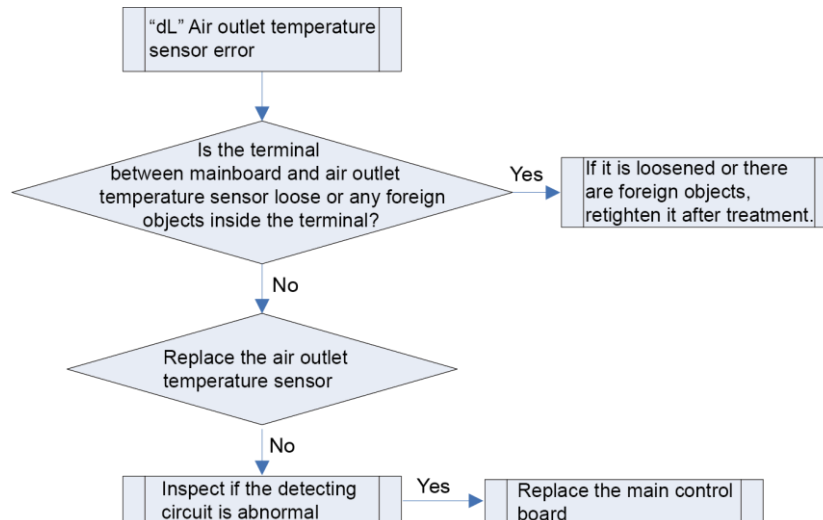
Error display: IDU wired controller and IDU receive light board will display

**Error judgment condition and method:**

Sample the AD value of temperature sensor through temperature sensor detecting circuit and judge the range of AD value. If the sampling AD value exceeds upper limit and lower limit in 5 seconds continuously, report the error.

Possible reason:

- Poor contact between air outlet temperature sensor and terminal in mainboard interface
- Air outlet temperature sensor is abnormal
- Detecting circuit is abnormal

Troubleshooting:**1.2.11 “db” Project debugging**

Error display: ODU mainboard, IDU wired controller and IDU receive light board will display

**Error judgment condition and method:**

This is a status code of project debugging, not an error code. When IDU or ODU displays this code, it means the unit is under debugging status and the IDU cannot be operated.

Troubleshooting: ——

Possible reason: ——

1.2.12 “L1” Indoor fan protection

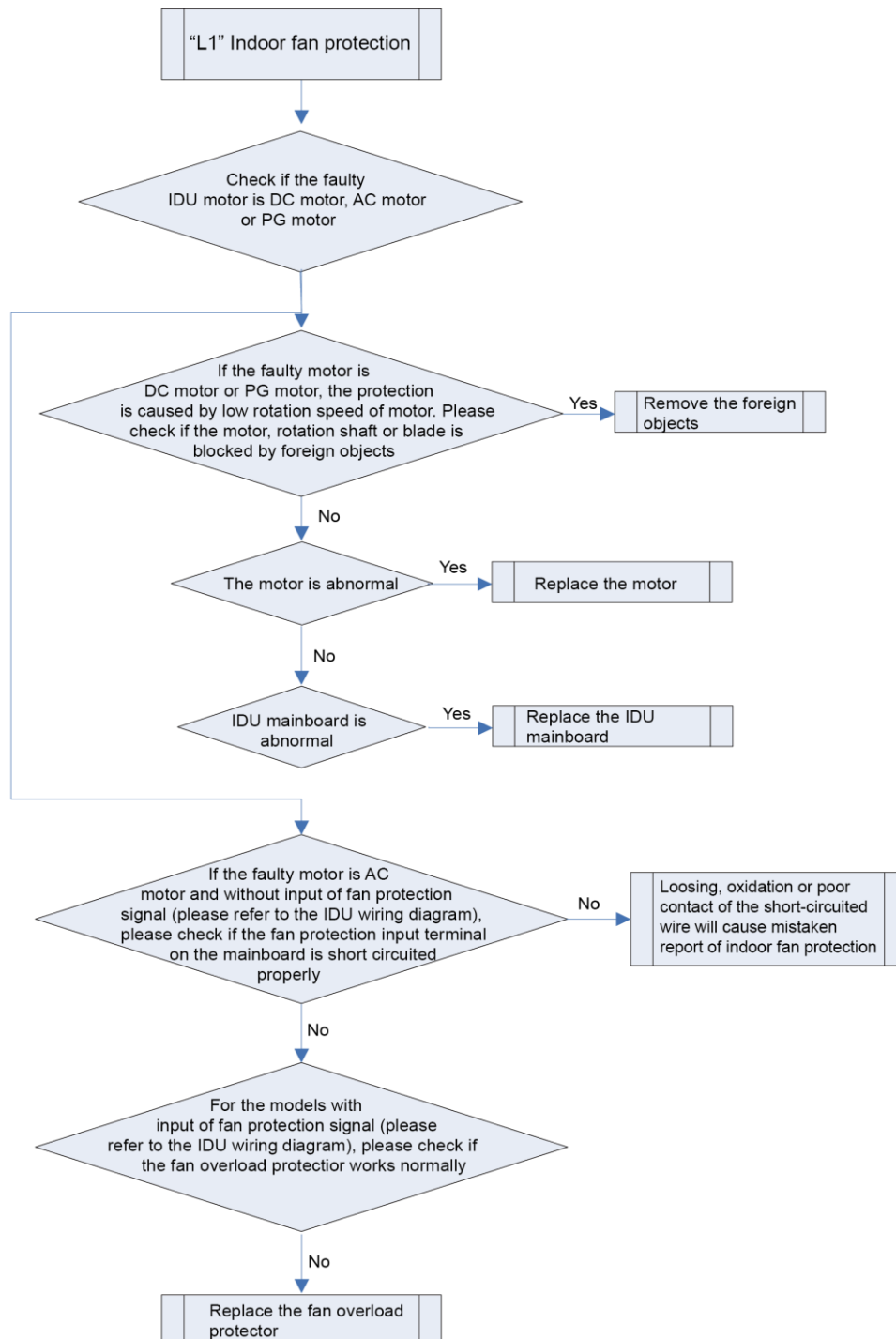
Error display: IDU wired controller and IDU receive light board will display

**Error judgment condition and method:**

Check if the rotation speed of IDU is too slow, or it stops rotation, or protection signal of outdoor fan is transferred. If yes, it is judged that indoor fan protection occurs.

Possible reason:

- Motor stops operation or it is blocked
- IDU mainboard is abnormal

Troubleshooting:**1.2.13 "L3" Water full protection**

Error display: IDU wired controller and IDU receive light board will display

**Error judgment condition and method:**

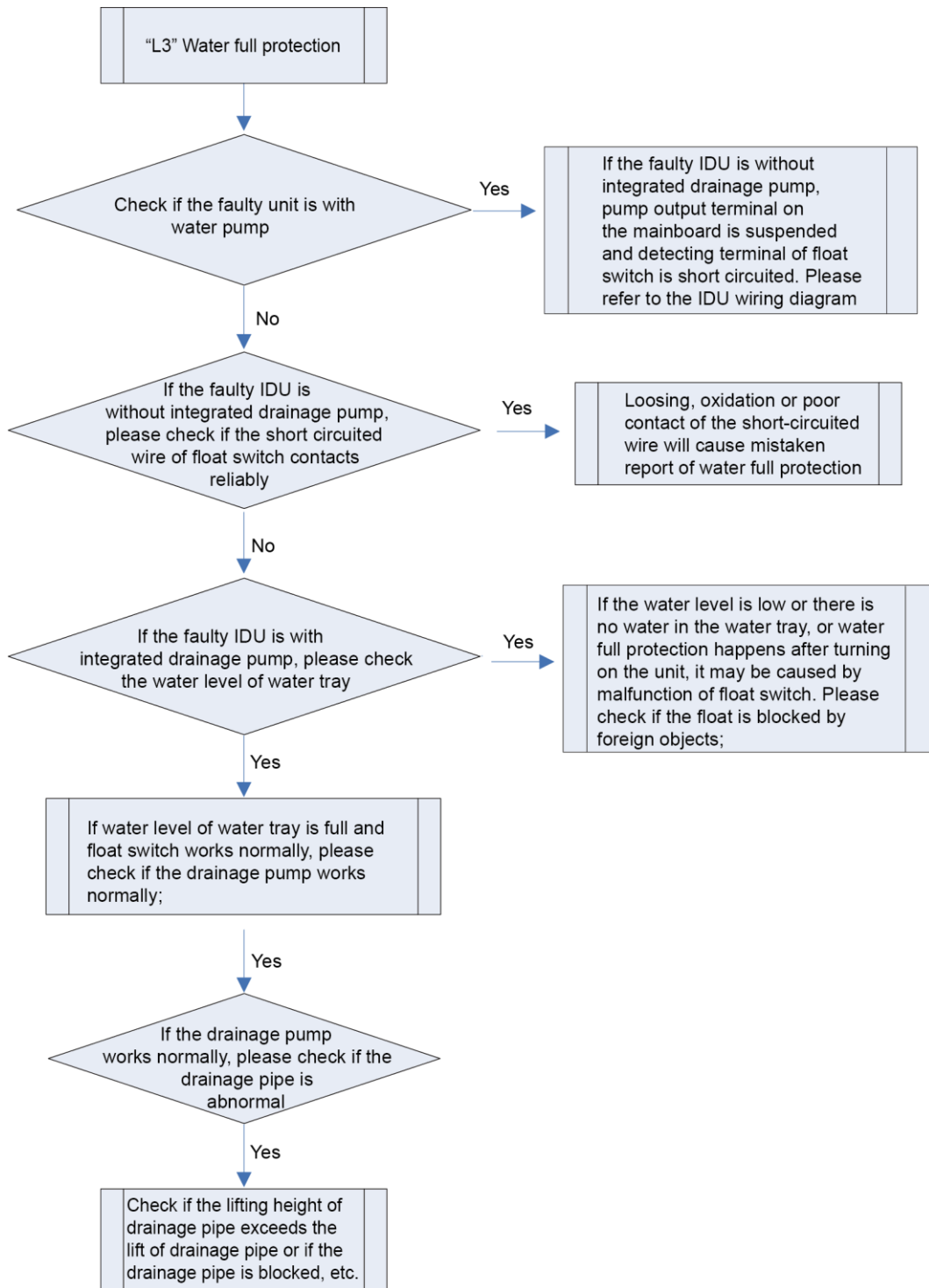
Check the status of IDU float switch. When water level is too high, float switch is activated, so water full protection happens.

Possible reason:

- IDU is installed improperly
- Drainage pump is broken

- Float switch operates abnormally
- IDU mainboard is abnormal

Troubleshooting:



1.2.14 “L4” Power supply overcurrent protection

Error display: IDU wired controller and IDU receive light board will display



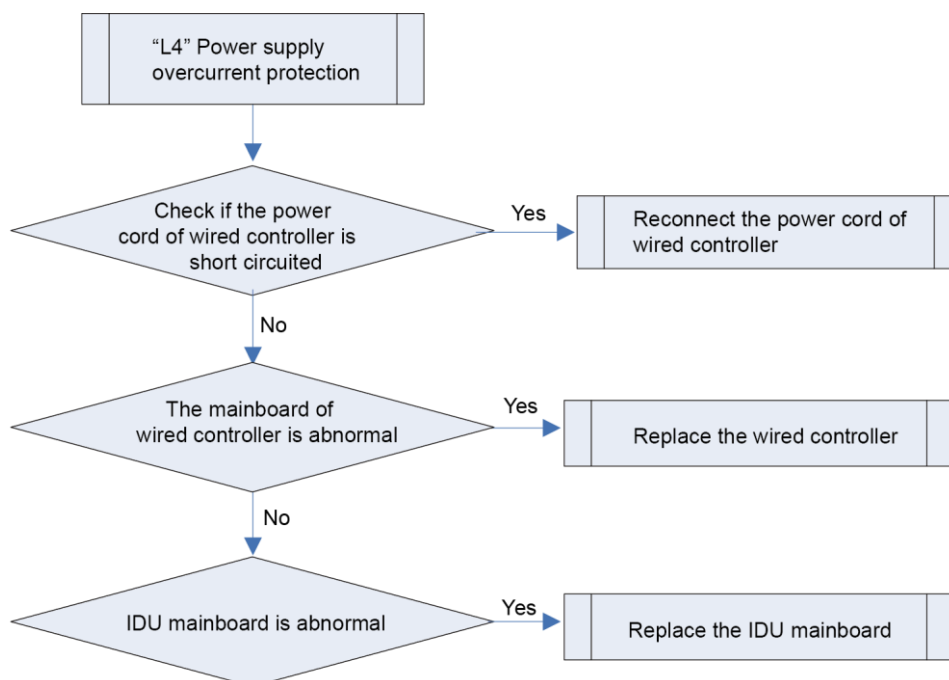
Error judgment condition and method:

Check if the power supply current from IDU to wired controller is normal. If power supply current is too big, it is judged that the current is abnormal.

Possible reason:

- Power supply conducting wire of wired controller is short circuited
- IDU mainboard is abnormal
- Mainboard of wired controller is abnormal

Troubleshooting:



1.2.15 “L5” Freeze protection

Error display: IDU wired controller and IDU receive light board will display

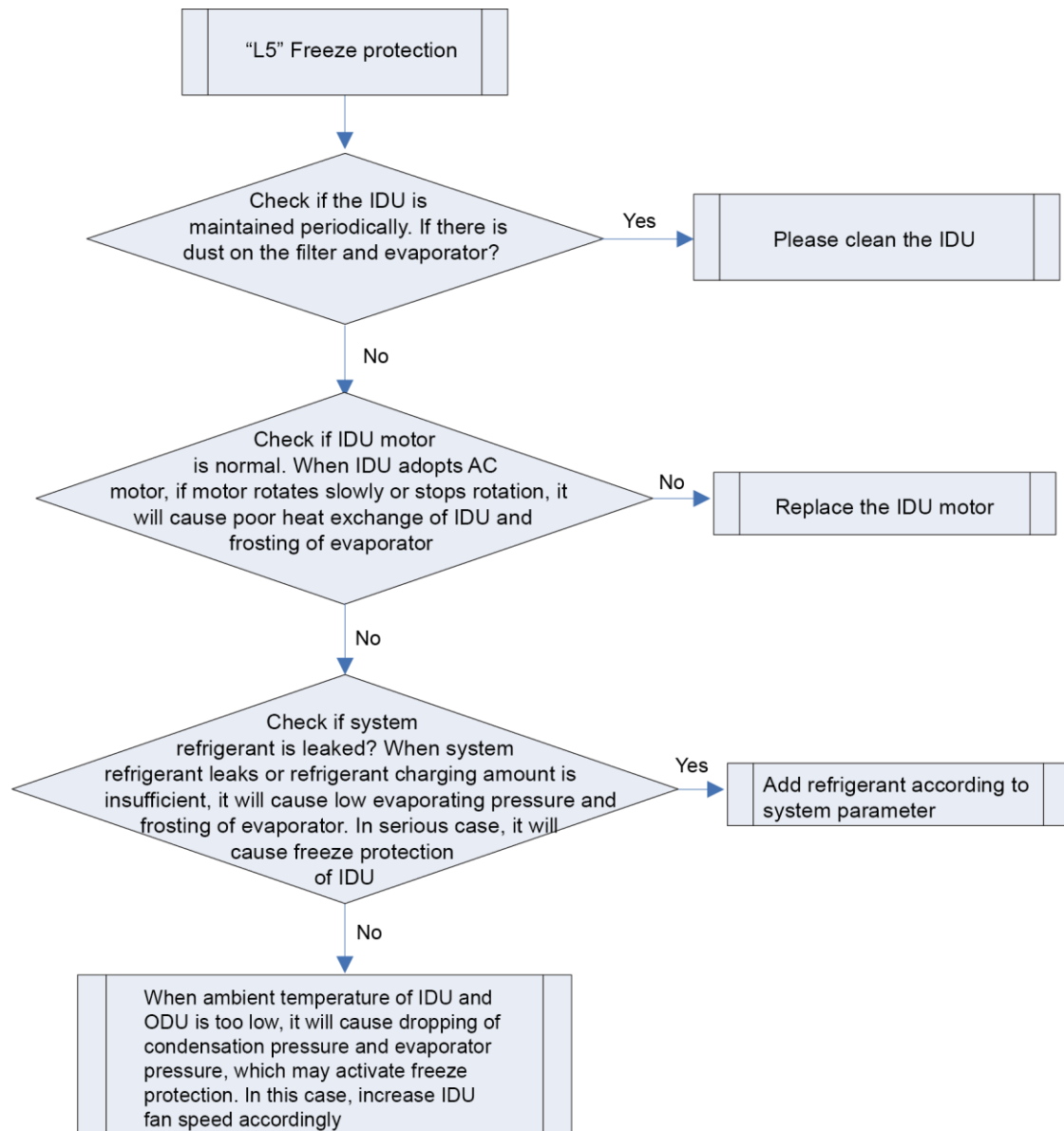


Error judgment condition and method:

Check IDU pipe temperature. When pipe temperature is too low, freeze protection will be activated to prevent freezing damage of evaporator.

Possible reason:

- IDU filter and evaporator are dirty
- IDU motor is blocked
- Refrigerant amount is insufficient
- Ambient temperature of IDU and ODU is too low

Troubleshooting:**1.2.16 “L7” No master IDU**

Error display: IDU wired controller and IDU receive light board will display



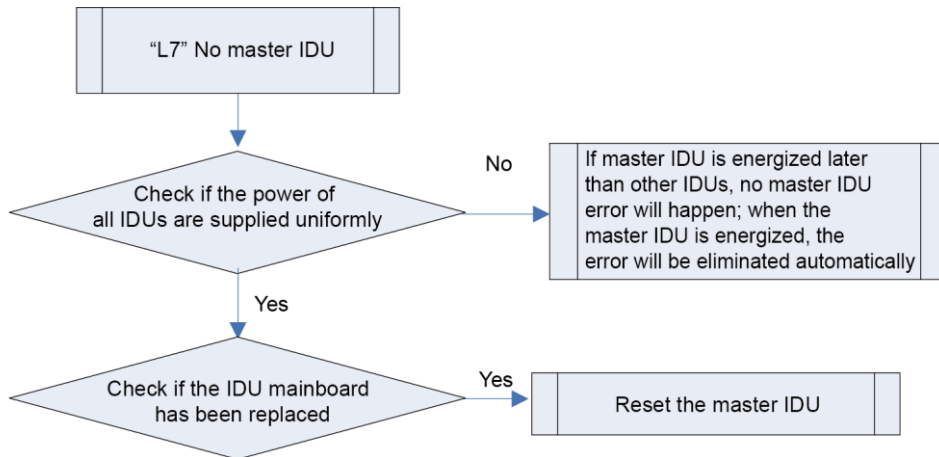
Error judgment condition and method:

No master IDU error will happen when there is no master IDU in the system.

Possible reason:

- Master IDU is offline
- The mainboard of master IDU is replaced
- The mainboard of master IDU has error

Troubleshooting:



1.2.17 “L9” Group-controlled IDU quantity inconsistency

Error display: IDU wired controller and IDU receive light board will display



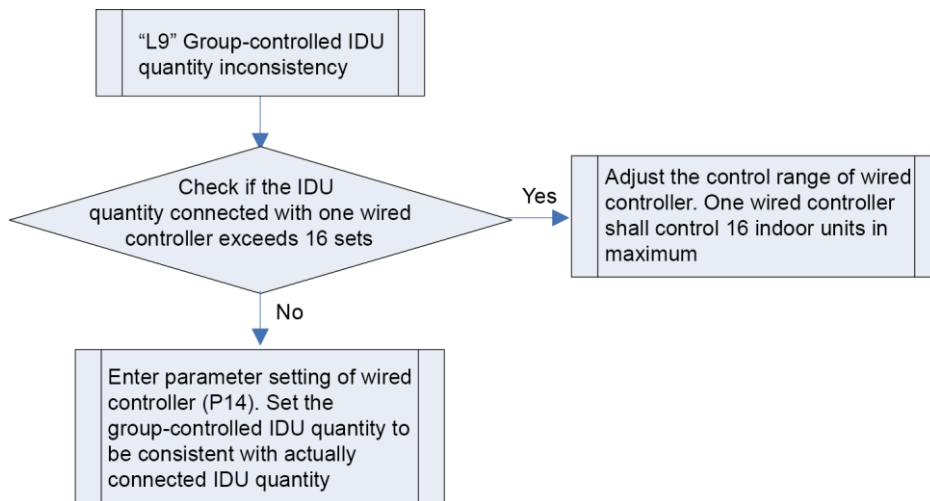
Error judgment condition and method:

If the IDU quantity connected with wired controller exceeds 16 sets or actually connected IDU quantity is inconsistent with the set group-controlled IDU quantity.

Possible reason:

- IDU quantity connected with one wired controller exceeds 16 sets;
- Actually connected IDU quantity is inconsistent with the set group-controlled IDU quantity.

Troubleshooting:



1.2.18 “LA” Group-controlled IDU series inconsistency

Error display: IDU wired controller and IDU receive light board will display



Error judgment condition and method:

Wired controller detects that the IDUs connected with itself belong to different series.

Possible reason:

- IDUs connected with one wired controller belong to different series.

Troubleshooting:

Make sure the IDUs connected with one wired controller belong to the same series.

1.2.19 “LC” Mismatch of IDU and ODU models

Error display: IDU wired controller and IDU receive light board will display

**Error judgment condition and method:**

When some IDUs or devices which cannot be identified by some ODUs are installed in the system, mismatch error of IDU and ODU models will occur.

Possible reason:

- Mismatch of IDU and ODU

Troubleshooting:

When some IDUs or devices which cannot be identified by some ODUs are installed in the system (E.g. floor heating device is installed in modular DC inverter multiple VRF system), the error will occur. Please remove the relevant IDU devices or replace the ODU with suitable model.

1.2.20 “Ld” Protection for Indoor Fan(Fan 2)

Error display: ODU main board and IDU wired controller will display

**Error judgment condition and method:**

Check the error code on the display board, if it displays Ld, that's the Protection for Indoor Fan(Fan 2).

Possible reasons:

- The fan is damaged.
- Poor contact between main control board and drive board communication terminal.
- Fan motor or main board is abnormal.

Troubleshooting:

- 1) Check if the fan is blocked.
- 2) Check the terminal between main board and fan motor to see if it is loose or any foreign objects inside?
- 3) Replace the main control board and drive board in turn, then replace it after confirming the faulted board.

1.2.21 “o1” Low Bus bar Voltage of Indoor Unit

Error display: ODU main board and IDU wired controller will display

**Error judgment condition and method:**

Check the error code on the display board, if it displays o1 and indoor fan stops running, that's the Low Bus bar Voltage of Indoor Unit.

Possible reasons:

- Power supply is abnormal.
- Fan drive board is abnormal.

Troubleshooting:

- 1) Check whether the power supply is in the normal range required by the unit.
- 2) If the power supply is normal, check the drive board is damaged, please replace the drive board.

1.2.22 “o2” High Bus bar Voltage of Indoor Unit

Error display: ODU main board and IDU wired controller will display

**Error judgment condition and method:**

Check the error code on the display board, if it displays o2 and indoor fan stops running, that's the High Bus bar Voltage of Indoor Unit.

Possible reasons:

- Power supply is abnormal.
- Fan drive board is abnormal.

Troubleshooting:

- 1) Check whether the power supply is in the normal range required by the unit.
- 2) If the power supply is normal, check the drive board is damaged, please replace the drive board.

1.2.23 “oC” Charging Circuit Malfunction of Indoor Unit

Error display: ODU main board and IDU wired controller will display

**Error judgment condition and method:**

Check the error code on the display board, if it displays oC and indoor fan stops running, that's the Charging Circuit Malfunction of Indoor Unit.

Possible reasons:

- Power supply is abnormal.
- Fan drive board is abnormal.

Troubleshooting:

- 1) Check whether the power supply is in the normal range required by the unit.
- 2) If the power supply is normal, check the drive board is damaged, please replace the drive board.

1.2.24 “o0” Other Drive Malfunction

Error display: ODU main board and IDU wired controller will display:

**Error judgment condition and method:**

Check the error code on the display board, if it displays o0 and indoor fan stops running, that's the Charging Circuit Malfunction of Indoor Unit

Possible reasons:

- Power supply is abnormal.
- Fan drive board is abnormal.
- Fan motor is abnormal.

Troubleshooting:

- 1) Check whether the power supply is in the normal range required by the unit.
- 2) If the power supply is normal, check the drive board is damaged, please replace the drive board.
- 3) Check if the fan motor is damaged, please replace the fan motor.

2 After-sales Emergency Measures

When some unrecoverable fault occurs to one module which is connected with several others in parallel, the following emergency measures are recommended to guarantee the heating or cooling capacity of the indoor units and the service life of modules except the faulted one are not affected.

Step 1: set all indoor units under "Off" mode and cut off the power supply to the indoor and outdoor units.

Step 2: shut off all cutoff valves of the faulted outdoor unit, including the cutoff valves of the liquid/gas pipe as well as the oil balancing valve.

Step 3: cut off the air switch of the module.

Step 4: remove the communication line between the faulted module and other modules which are still kept connected through the communication line.

Step 5: readjust the address and quantity settings on the main board of the modules except the faulted one.

Step 6: power and restart the unit.

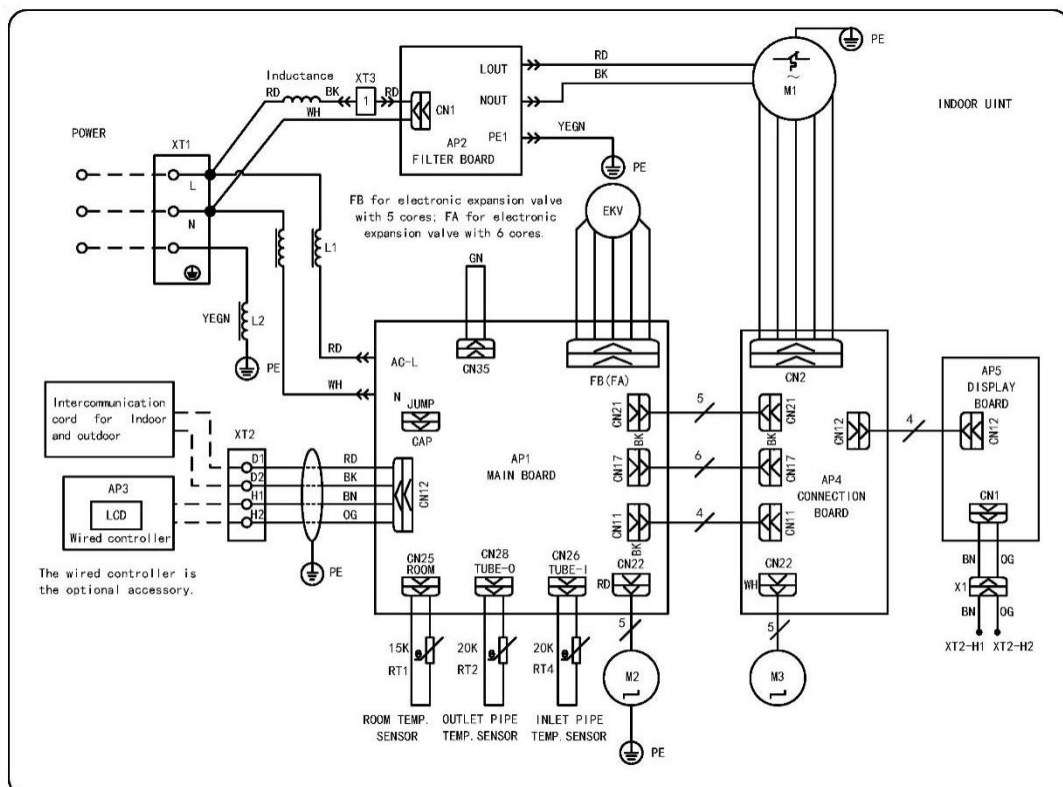
3 Wiring Diagram

NOTE:

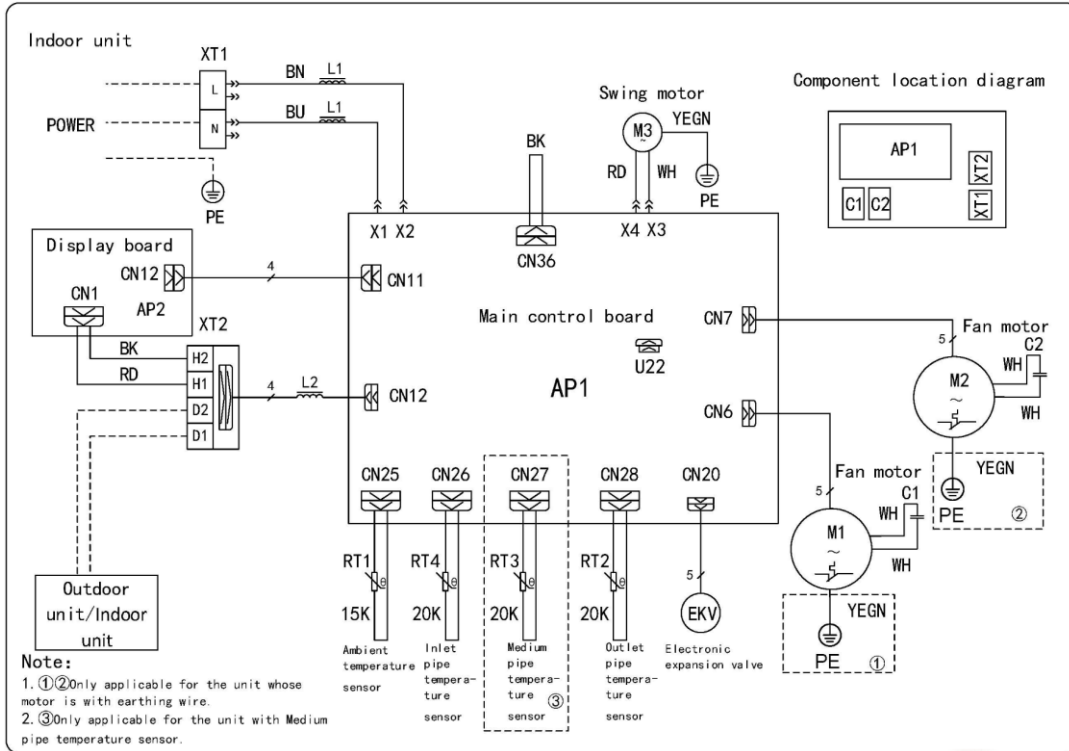
This drawing is just for reference; please always refer to the electric wiring stuck to the unit for actual wiring.

3.1 Floor Standing Type

GMV-ND100L/A-T, GMV-ND140L/A-T:

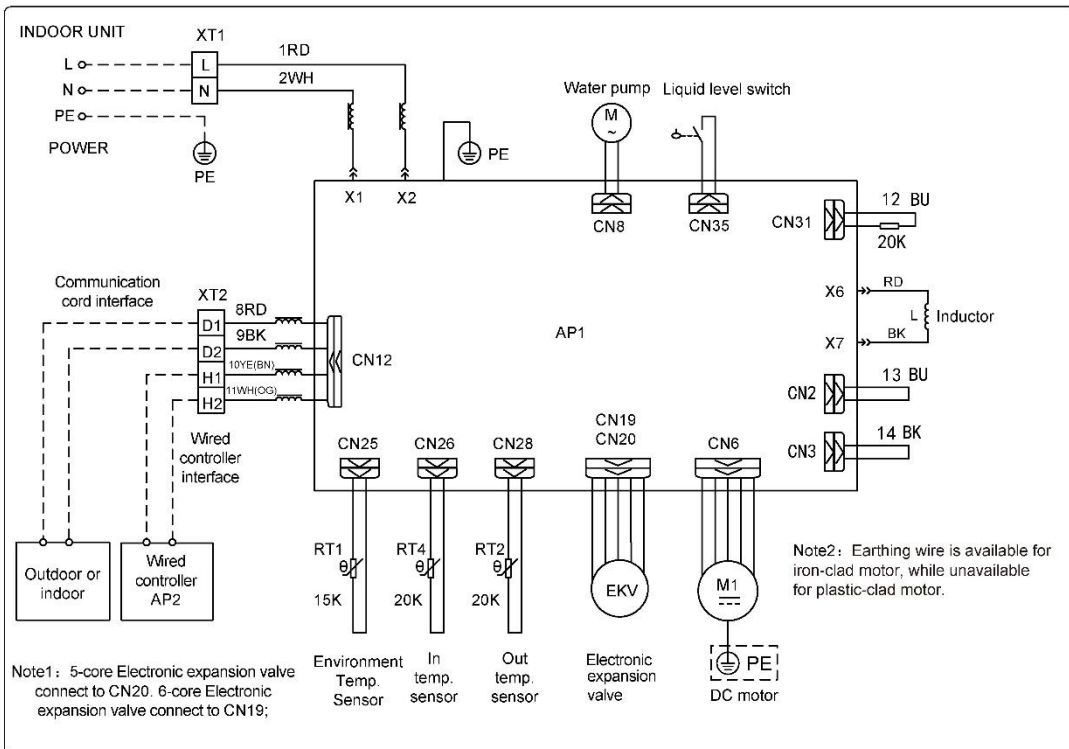


GMV-N280L/A-D:

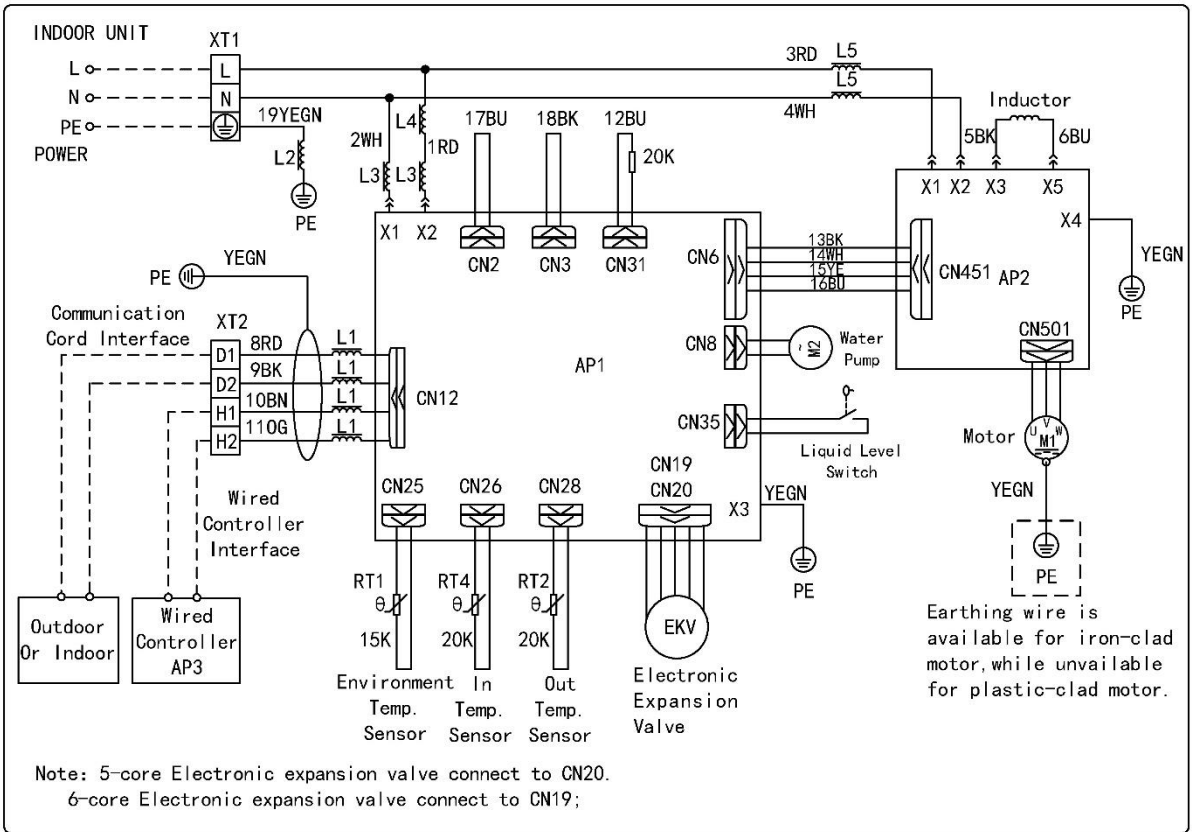


3.2 High Static Pressure Duct Type

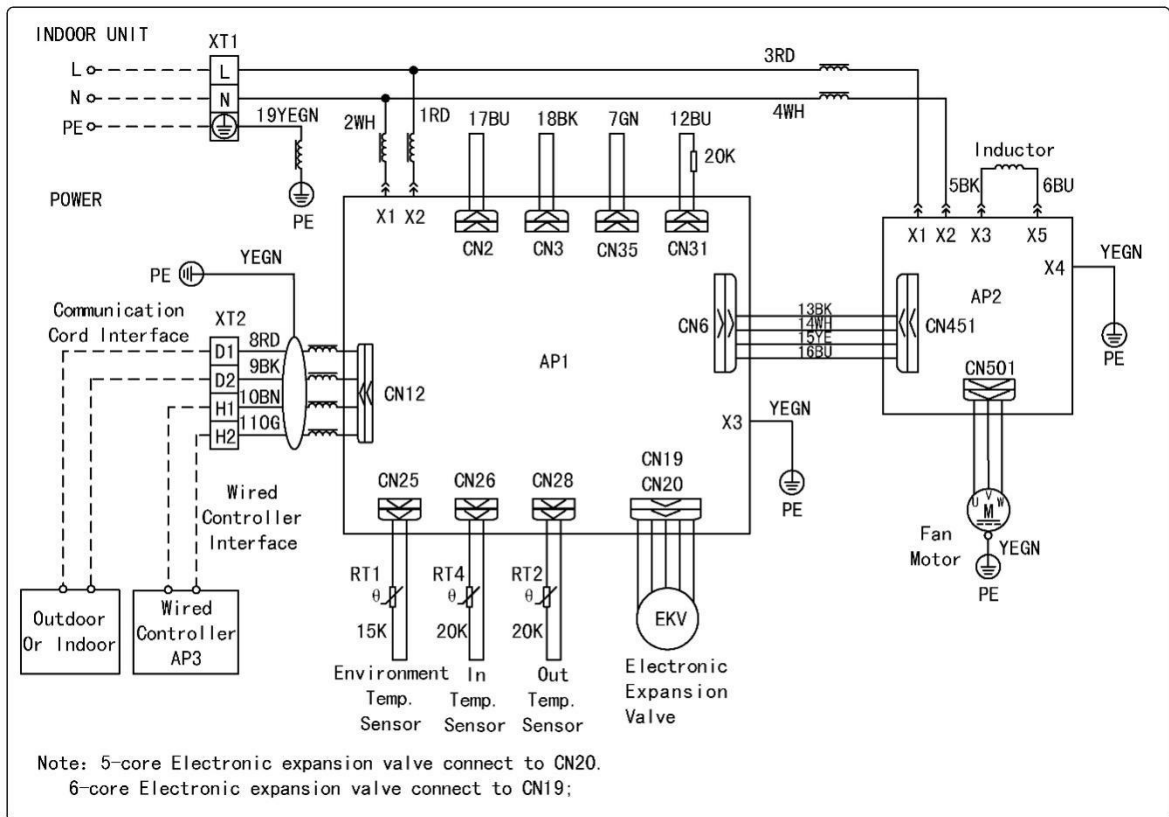
GMV-ND56PHS/A-T, GMV-ND63PHS/A-T, GMV-ND71PHS/A-T, GMV-ND80PHS/A-T, GMV-ND90PHS/A-T, GMV-ND100PHS/A-T, GMV-ND112PHS/A-T, GMV-ND125PHS/A-T, GMV-ND140PHS/A-T:



GMV-ND160PHS/A-T:

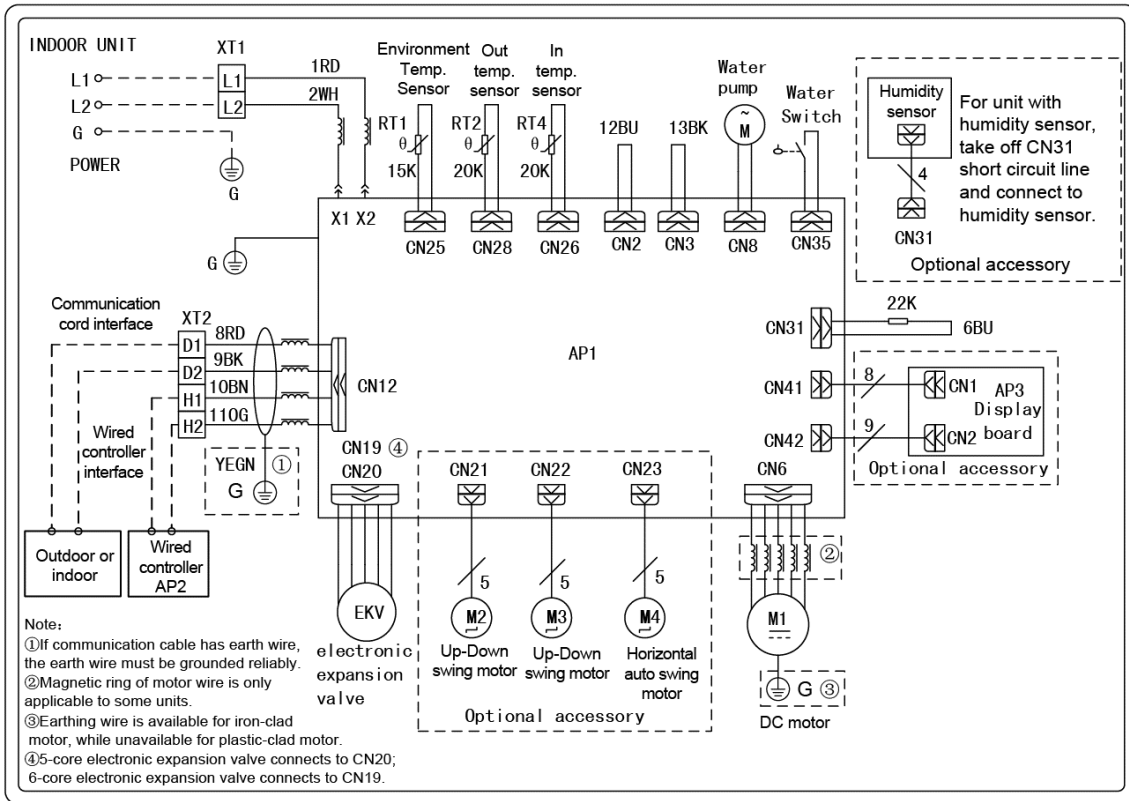


GMV-ND224PH/A-T, GMV-ND280PH/A-T:

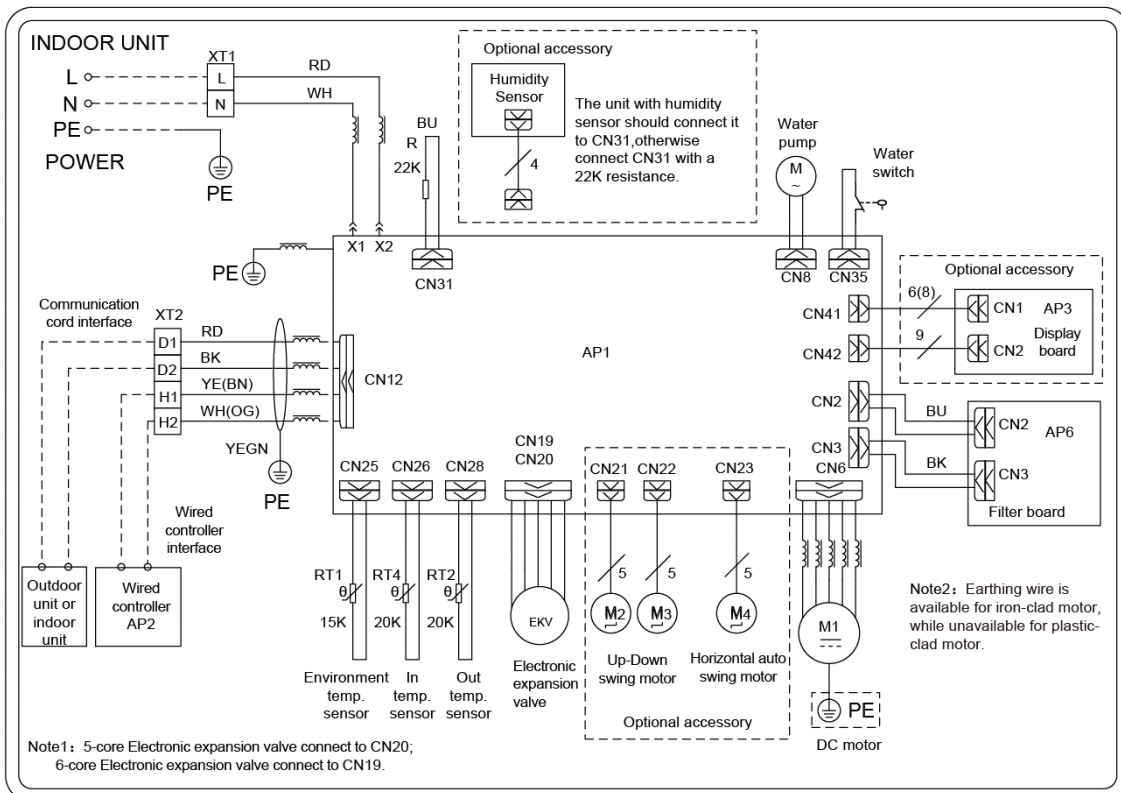


3.3 Low Static Pressure Duct Type

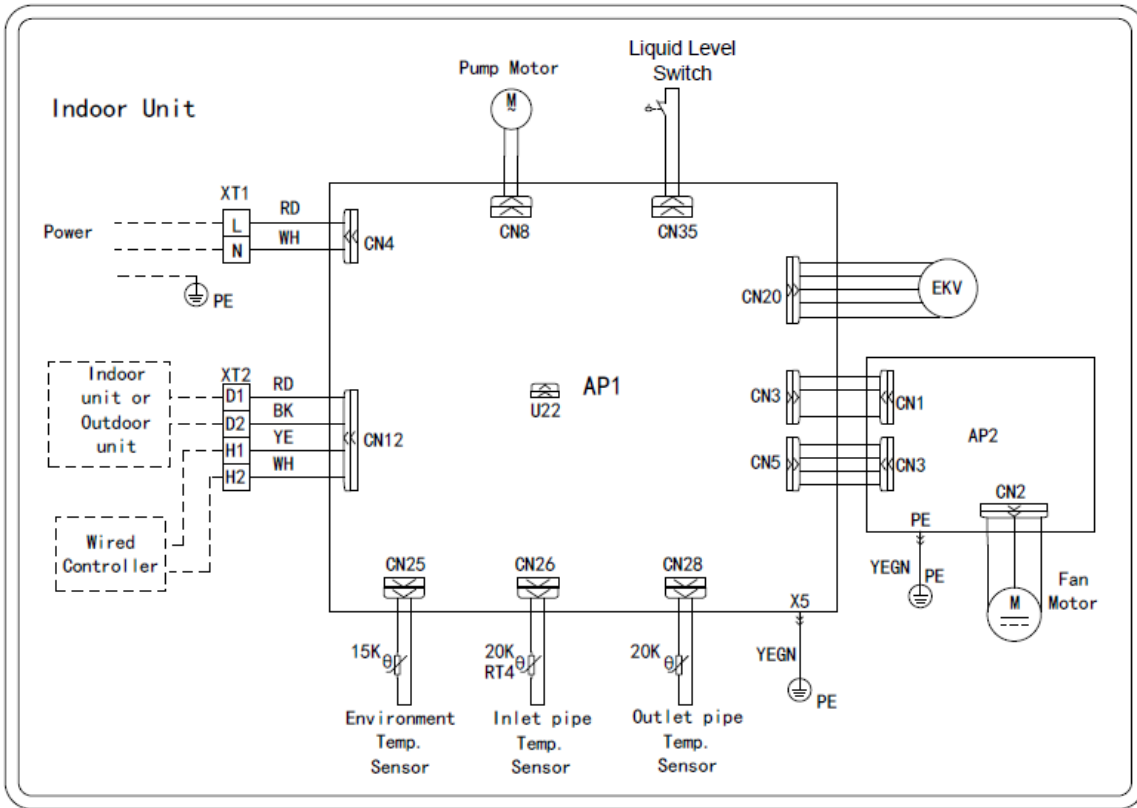
GMV-ND22PLS/A-T, GMV-ND25PLS/A-T, GMV-ND28PLS/A-T, GMV-ND32PLS/A-T,
 GMV-ND36PLS/A-T, GMV-ND40PLS/A-T, GMV-ND45PLS/A-T, GMV-ND50PLS/A-T,
 GMV-ND56PLS/A-T, GMV-ND63PLS/A-T, GMV-ND71PLS/A-T, GMV-ND80PLS/A-T:



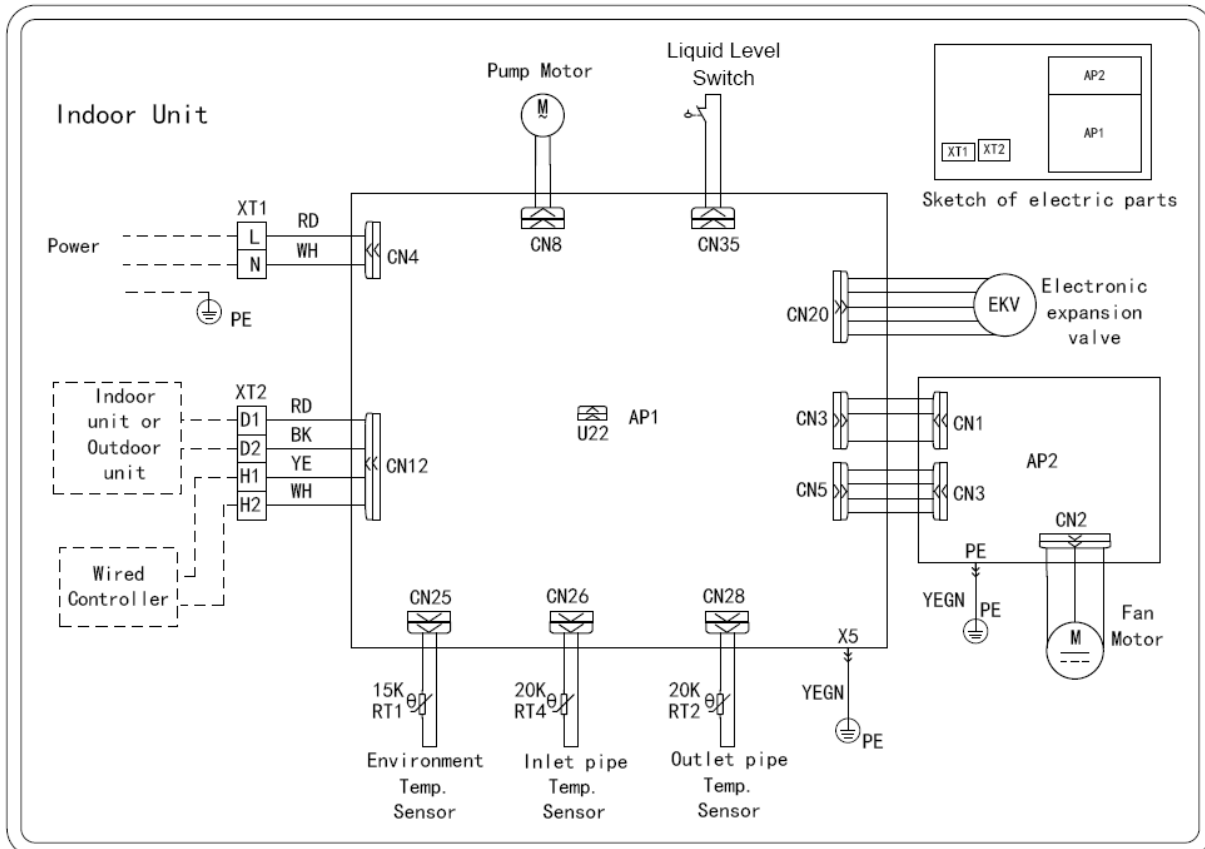
GMV-ND90PLS/A-T, GMV-ND100PLS/A-T, GMV-ND112PLS/A-T, GMV-ND125PLS/A-T,
 GMV-ND140PLS/A-T:



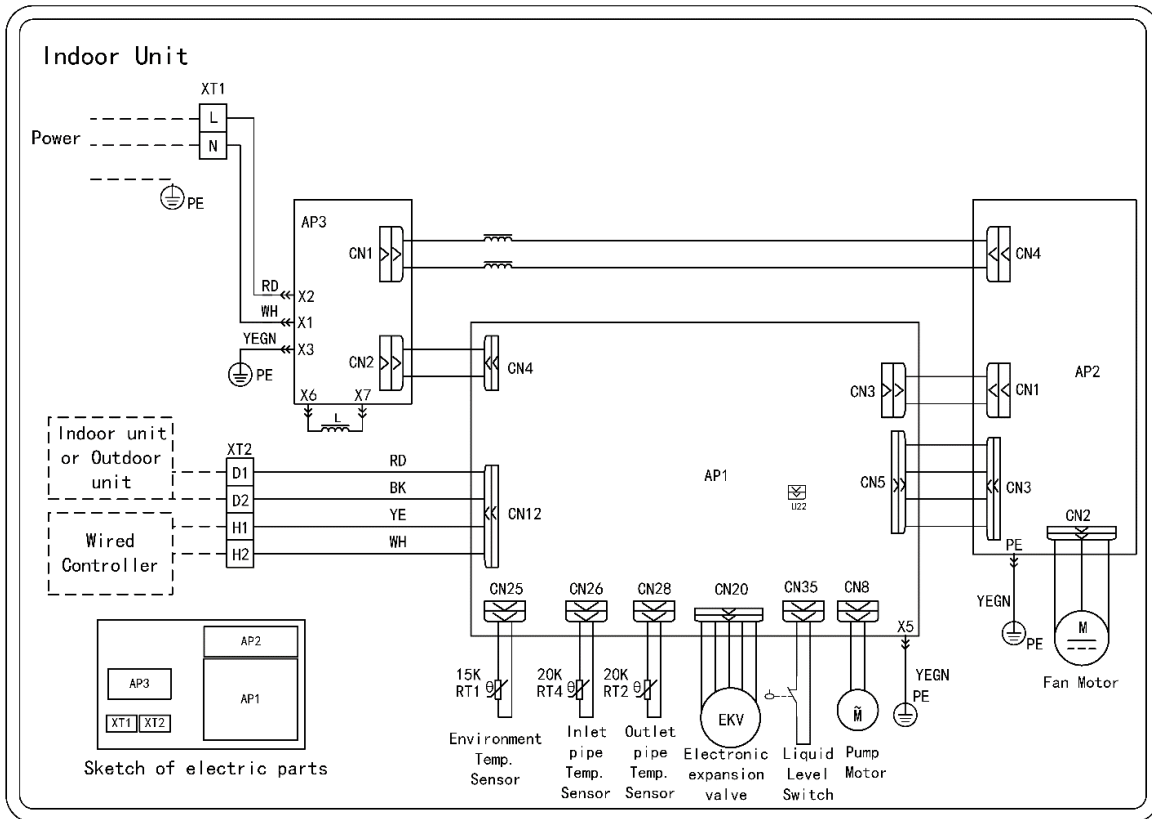
GMV-ND18PLS/C-T, GMV-ND22PLS/C-T, GMV-ND25PLS/C-T, GMV-ND28PLS/C-T, GMV-ND32PLS/C-T, GMV-ND36PLS/C-T, GMV-ND40PLS/C-T, GMV-ND45PLS/C-T, GMV-ND50PLS/C-T, GMV-ND56PLS/C-T, GMV-ND63PLS/C-T, GMV-ND71PLS/C-T:



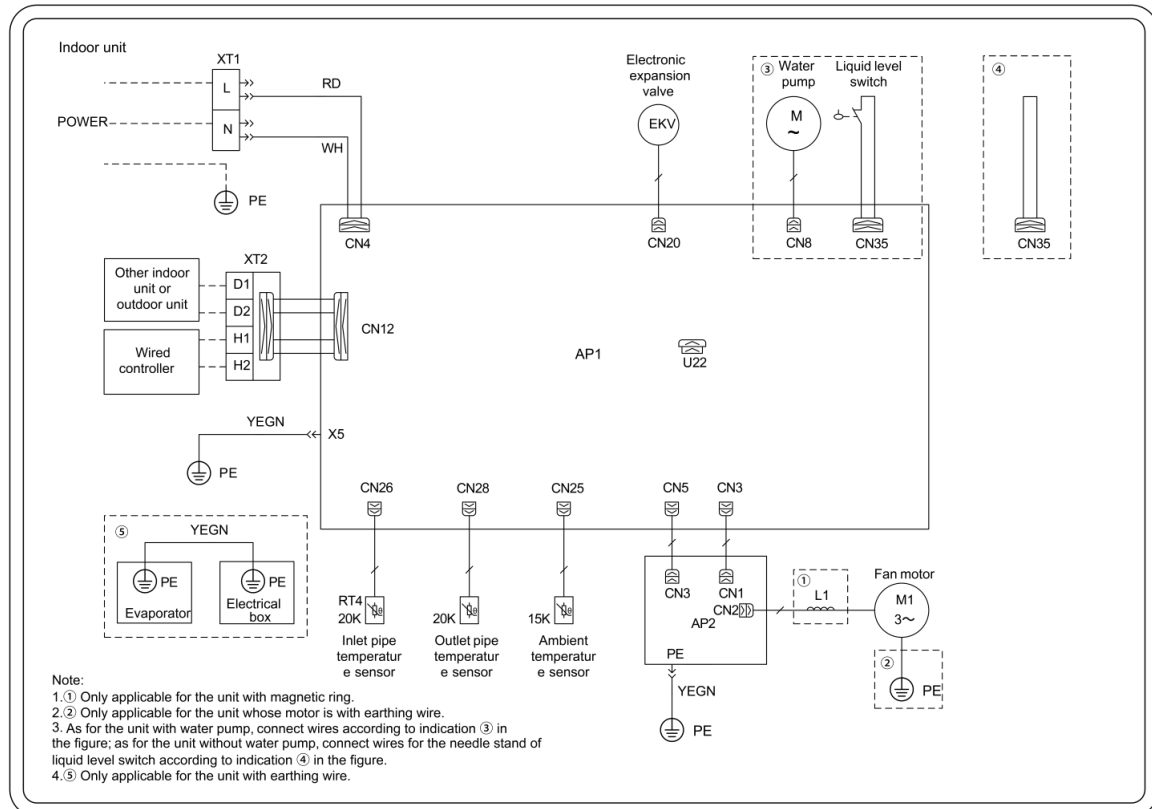
GMV-ND80PLS/C-T:



GMV-ND90PLS/C-T, GMV-ND100PLS/C-T, GMV-ND112PLS/C-T, GMV-ND125PLS/C-T, GMV-ND140PLS/C-T:

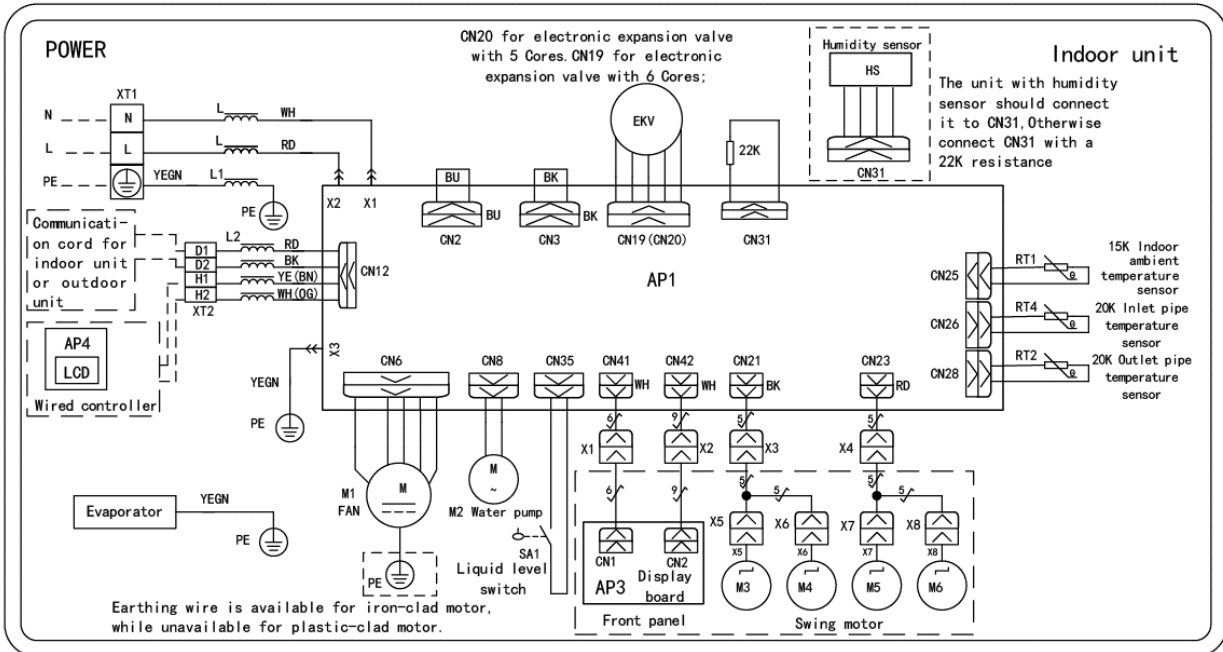


GMV-ND18PLS/C1-T, GMV-ND22PLS/C1-T, GMV-ND25PLS/C1-T, GMV-ND28PLS/C1-T, GMV-ND32PLS/C1-T, GMV-ND36PLS/C1-T, GMV-ND40PLS/C1-T, GMV-ND45PLS/C1-T, GMV-ND50PLS/C1-T, GMV-ND56PLS/C1-T, GMV-ND63PLS/C1-T, GMV-ND71PLS/C1-T, GMV-ND80PLS/C1-T:

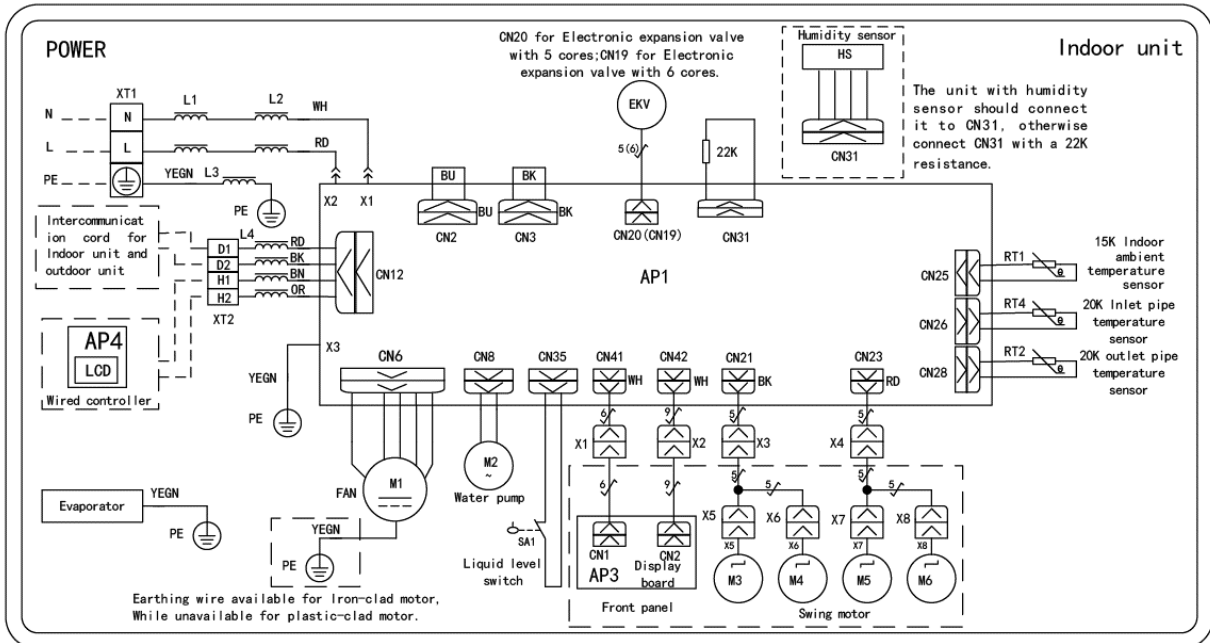


3.4 4-way Cassette Type

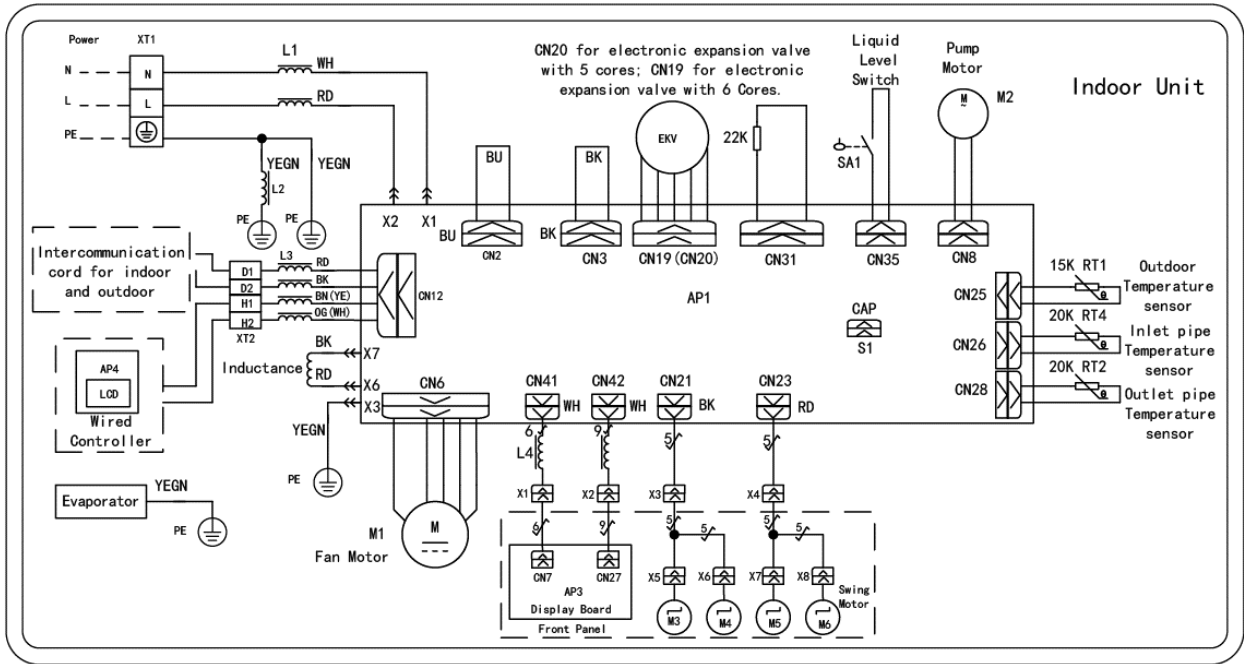
GMV-ND28T/A-T, GMV-ND36T/A-T, GMV-ND45T/A-T, GMV-ND50T/A-T, GMV-ND56T/A-T, GMV-ND63T/A-T, GMV-ND71T/A-T, GMV-ND80T/A-T:



GMV-ND90T/A-T, GMV-ND100T/A-T, GMV-ND112T/A-T, GMV-ND125T/A-T, GMV-ND140T/A-T:

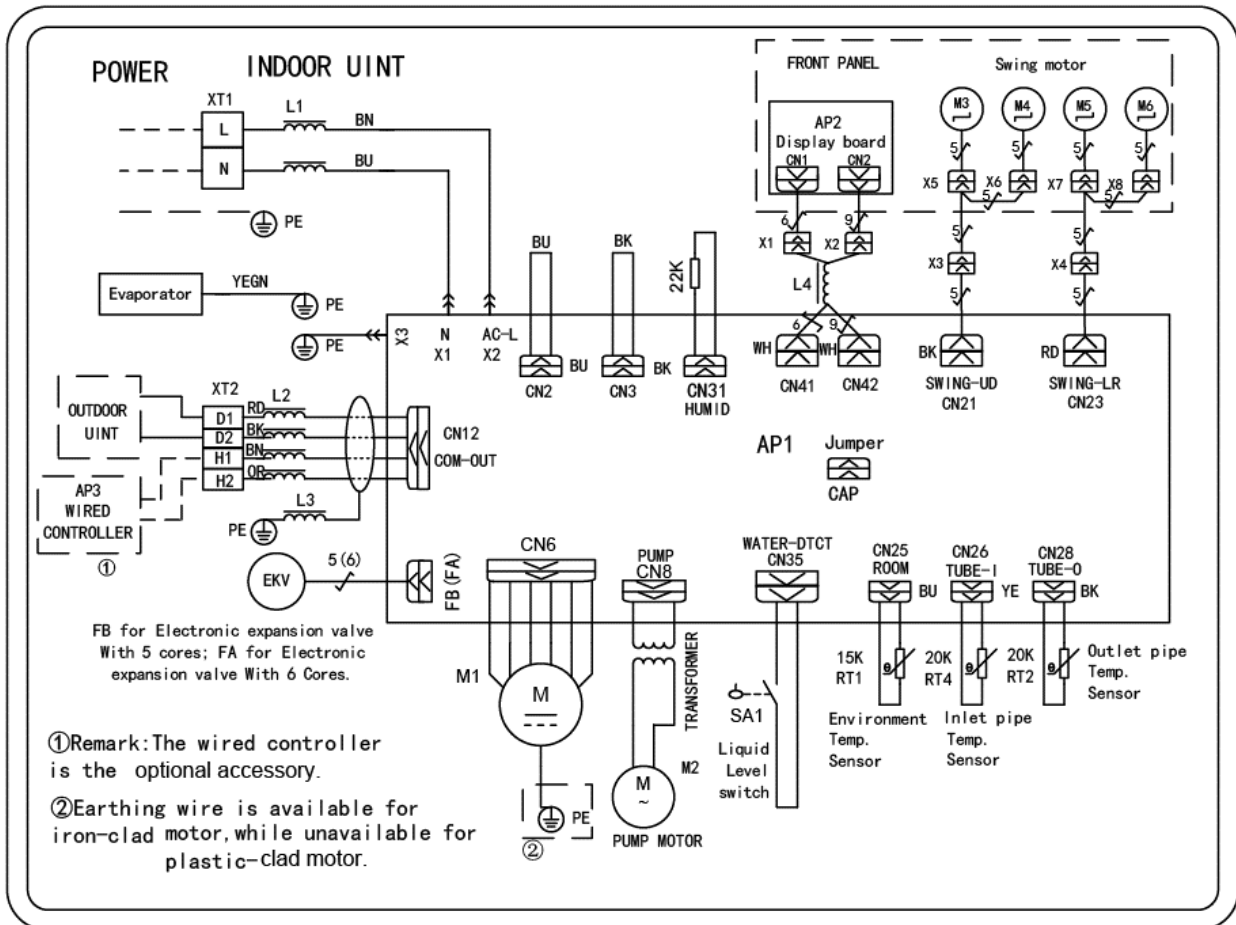


GMV-ND160T/A-T:



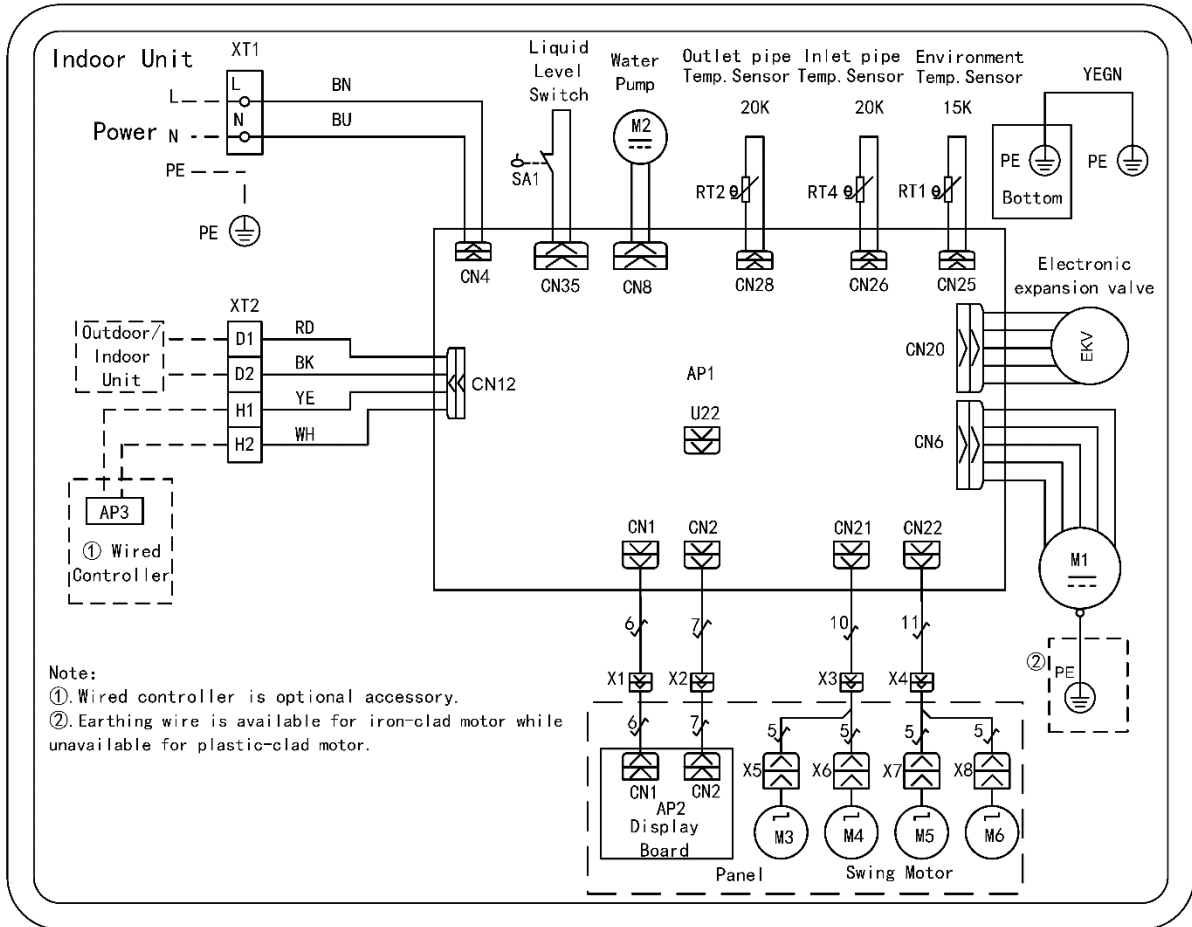
3.5 Compact 4-way Cassette Type

GMV-ND22T/B-T, GMV-ND28T/B-T, GMV-ND36T/B-T, GMV-ND45T/B-T, GMV-ND50T/B-T, GMV-ND56T/B-T:



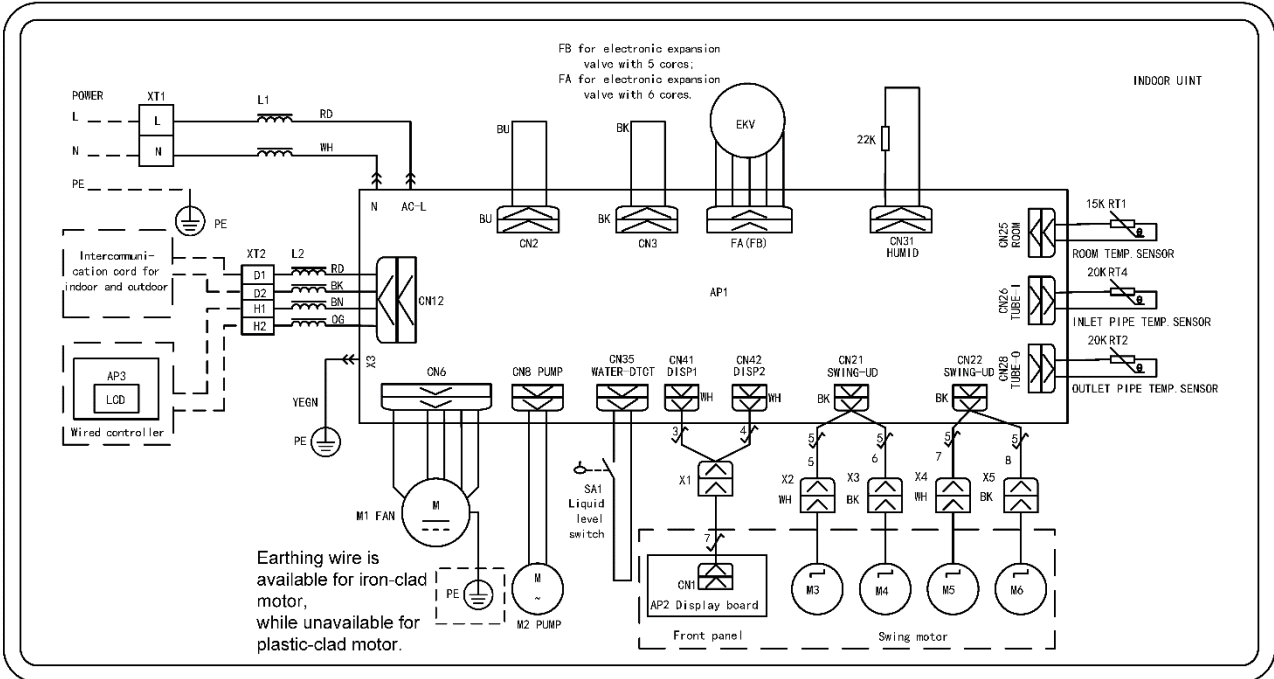
3.6 360° Air Discharge Compact Cassette Type

GMV-ND15T/E-T, GMV-ND18T/E-T, GMV-ND22T/E-T, GMV-ND28T/E-T, GMV-ND36T/E-T,
GMV-ND45T/E-T, GMV-ND50T/E-T, GMV-ND56T/E-T

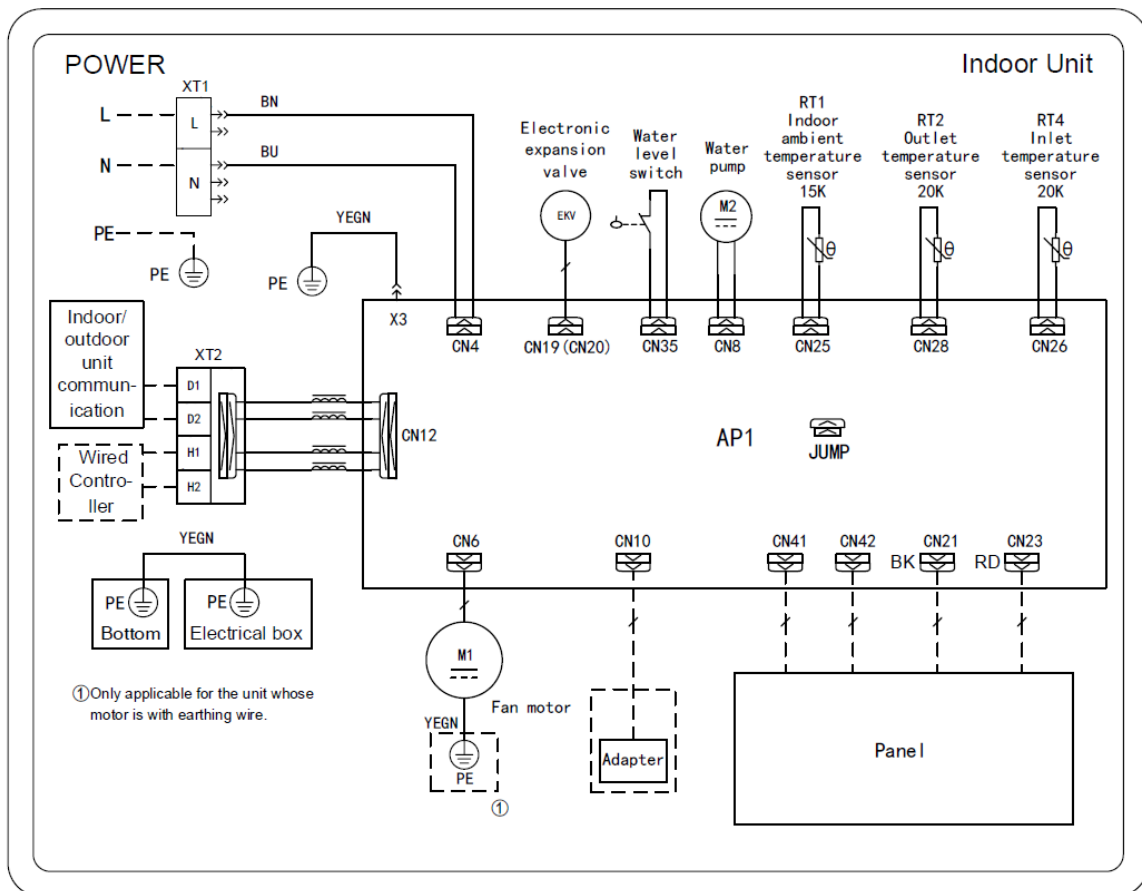


3.7 2-way Cassette Type

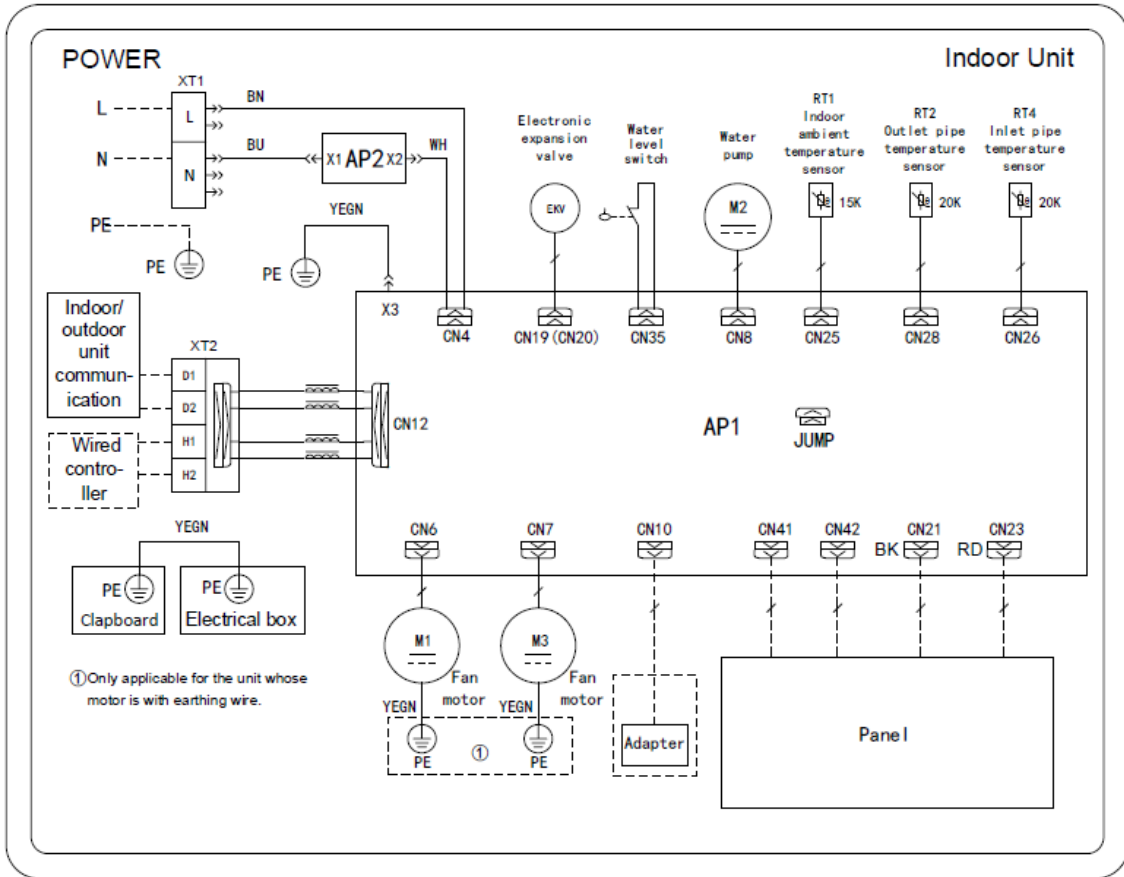
GMV-ND28TS/A-T, GMV-ND36TS/A-T, GMV-ND45TS/A-T, GMV-ND50TS/A-T, GMV-ND56TS/A-T, GMV-ND63TS/A-T, GMV-ND71TS/A-T:



GMV-ND28TS/B-T, GMV-ND36TS/B-T, GMV-ND45TS/B-T, GMV-ND50TS/B-T, GMV-ND56TS/B-T, GMV-ND63TS/B-T, GMV-ND71TS/B-T, GMV-ND80TS/B-T:

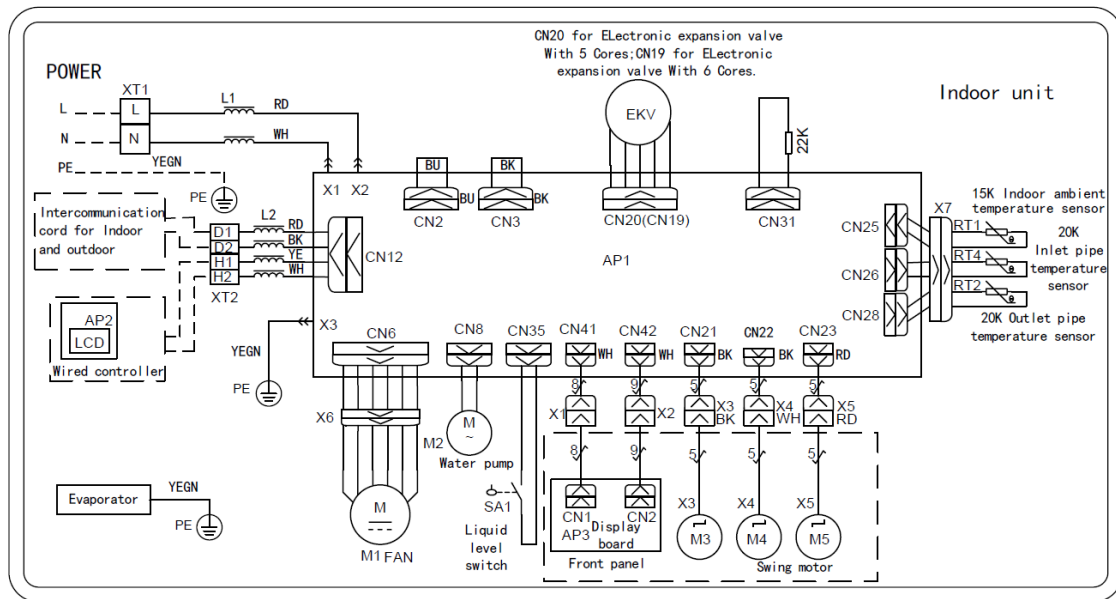


GMV-ND90TS/B-T, GMV-ND100TS/B-T, GMV-ND112TS/B-T, GMV-ND125TS/B-T,
GMV-ND140TS/B-T, GMV-ND160TS/B-T:

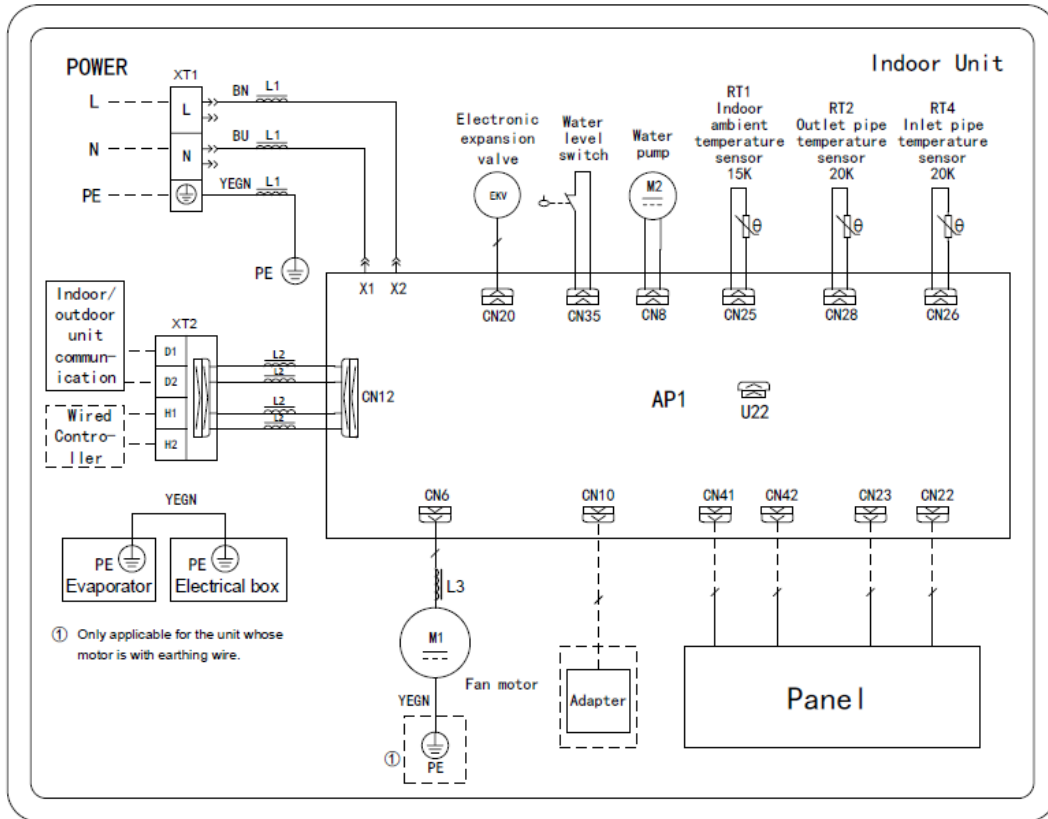


3.8 1-way Cassette Type

GMV-ND22TD/A-T, GMV-ND28TD/A-T, GMV-ND36TD/A-T, GMV-ND45TD/A-T, GMV-ND50TD/A-T,
GMV-ND56TD/A-T:

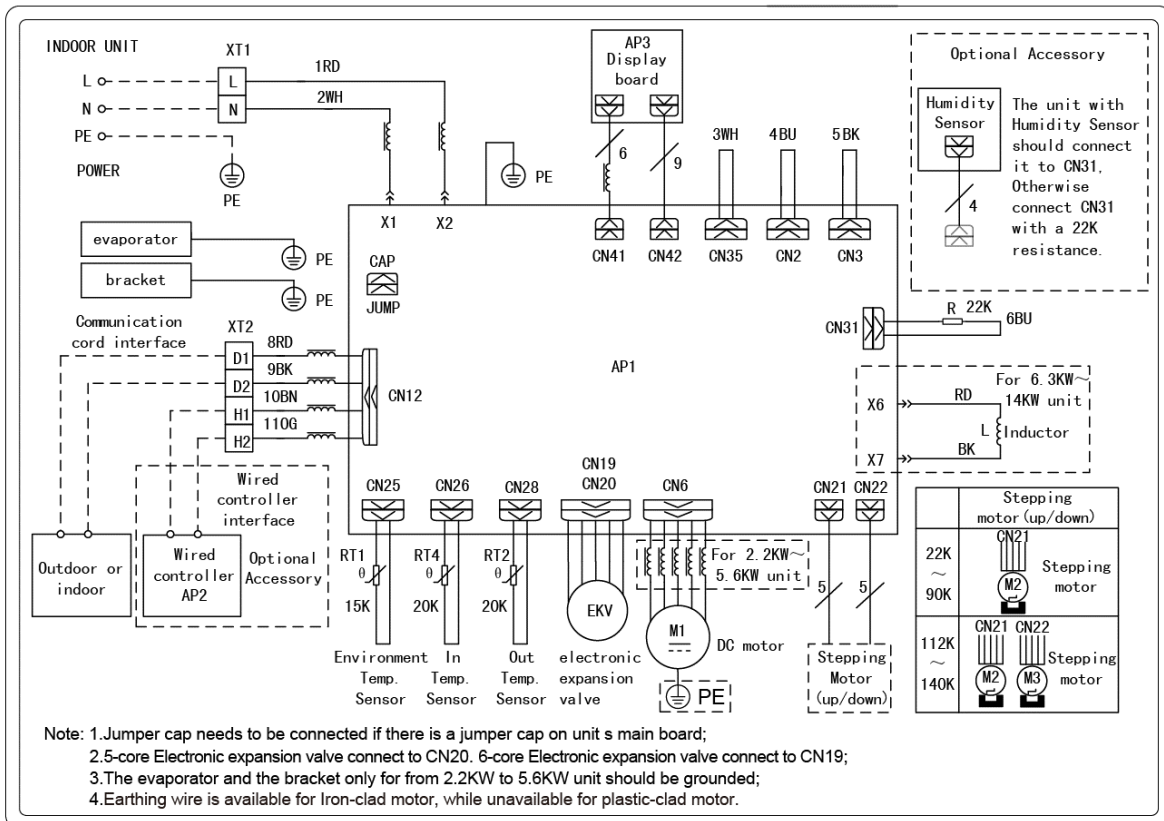


GMV-ND63TD/B-T, GMV-ND71TD/B-T, GMV-ND80TD/B-T:

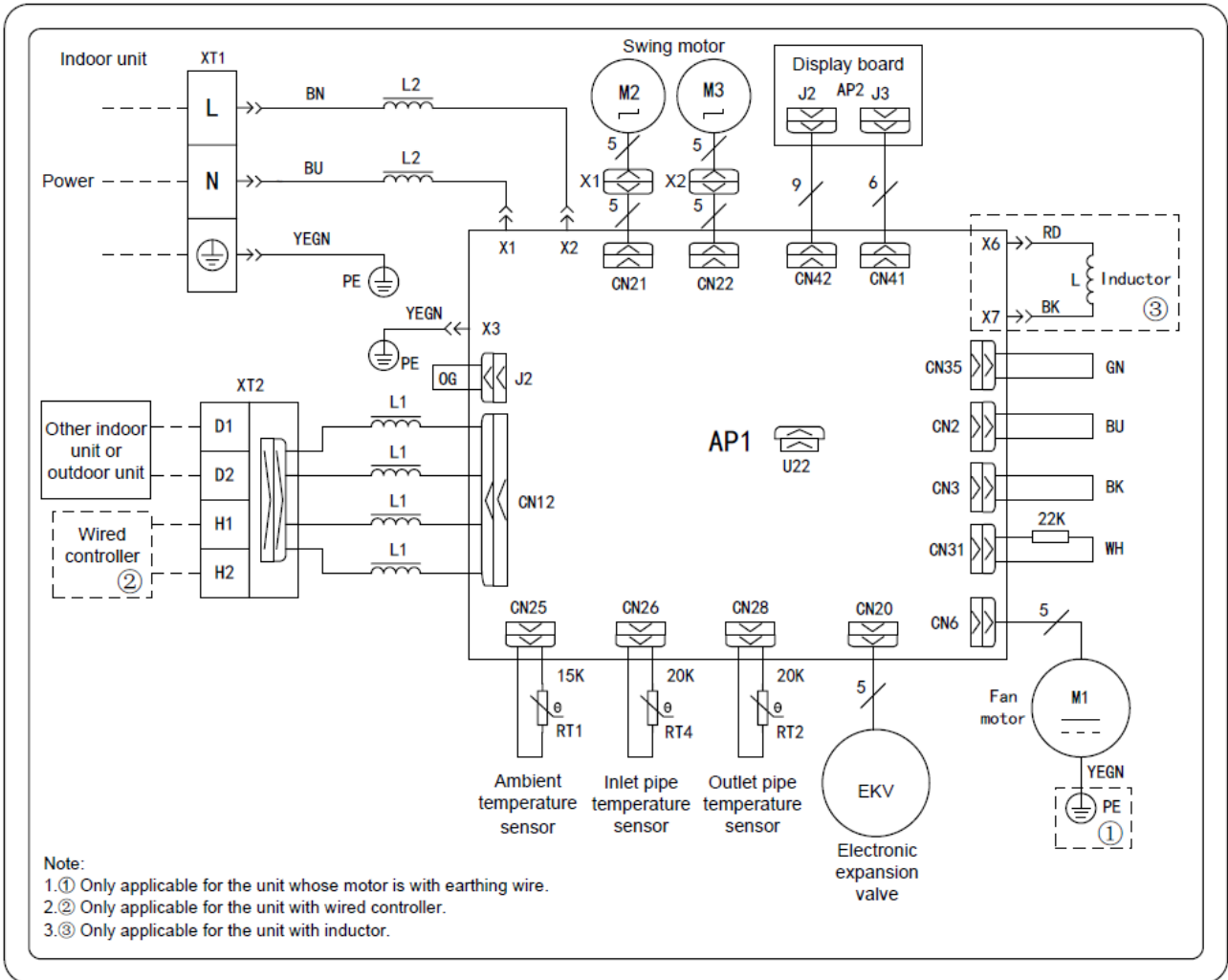


3.9 Floor Ceiling Type

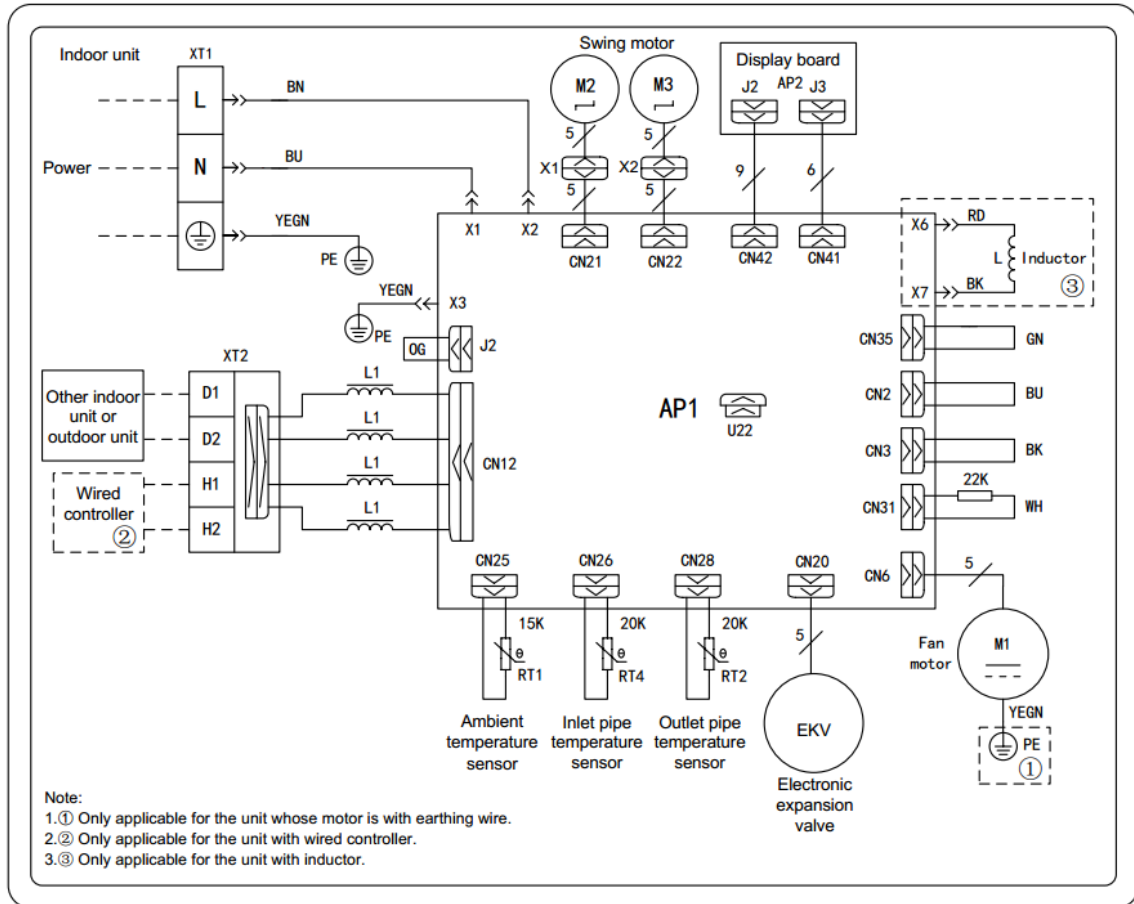
GMV-ND28ZD/A-T, GMV-ND36ZD/A-T, GMV-ND50ZD/A-T, GMV-ND56ZD/A-T, GMV-ND63ZD/A-T, GMV-ND71ZD/A-T, GMV-ND90ZD/A-T, GMV-ND112ZD/A-T, GMV-ND125ZD/A-T, GMV-ND140ZD/A-T, GMV-ND160ZD/A-T:



GMV-ND28ZD/B-T, GMV-ND36ZD/B-T, GMV-ND50ZD/B-T, GMV-ND56ZD/B-T, GMV-ND112ZD/B-T, GMV-ND125ZD/B-T, GMV-ND140ZD/B-T, GMV-ND160ZD/B-T:

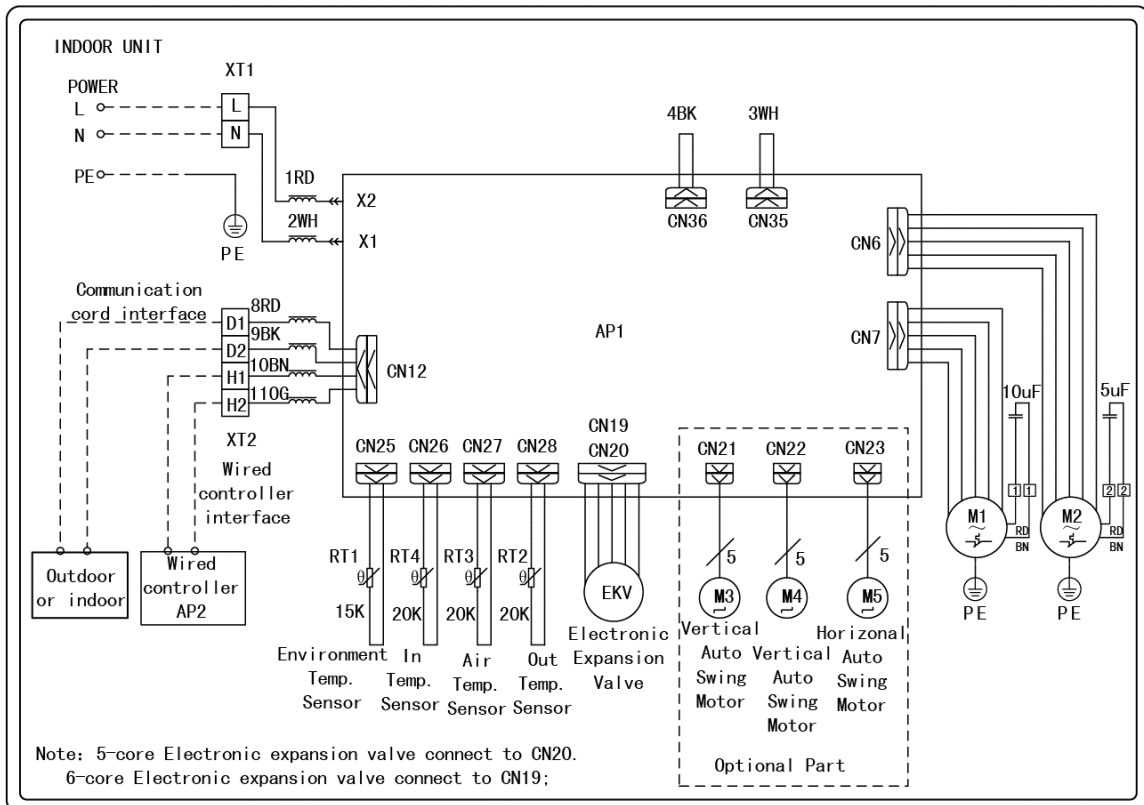


GMV-ND63ZD/B-T, GMV-ND71ZD/B-T, GMV-ND90ZD/B-T:

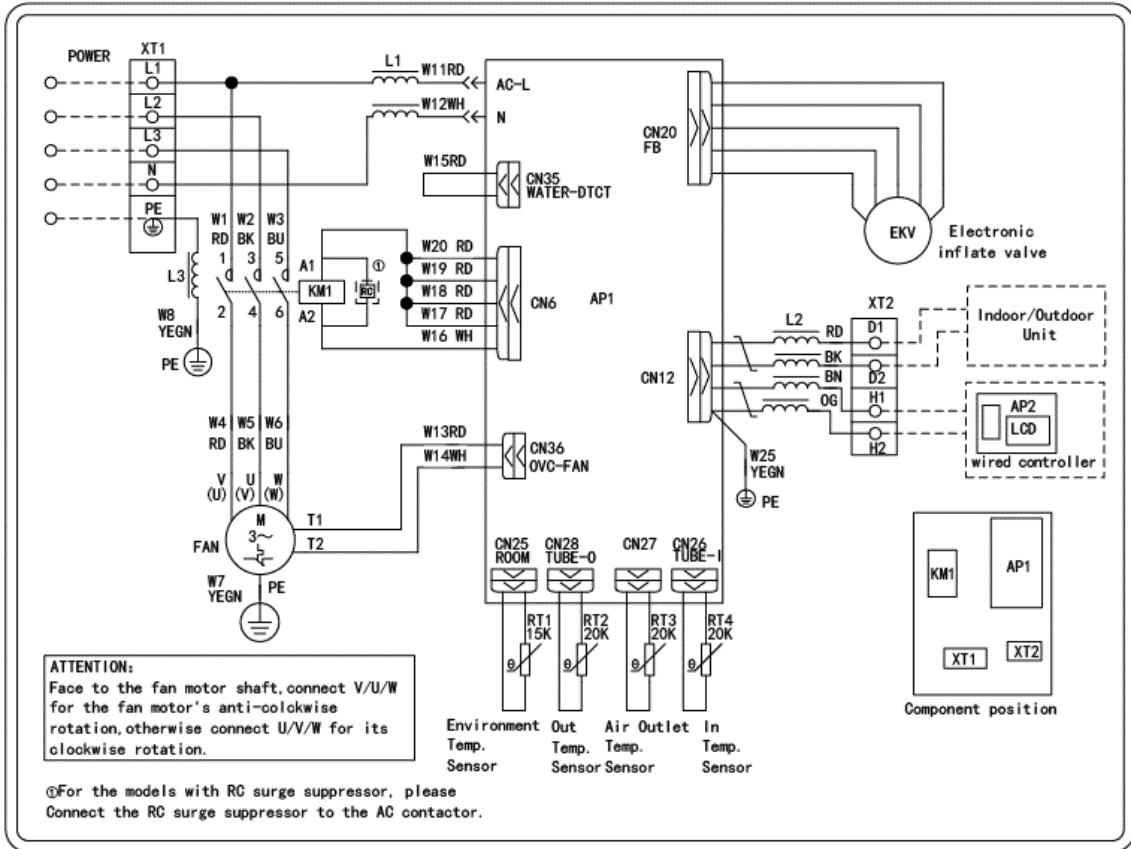


3.10 Fresh air Processing Unit

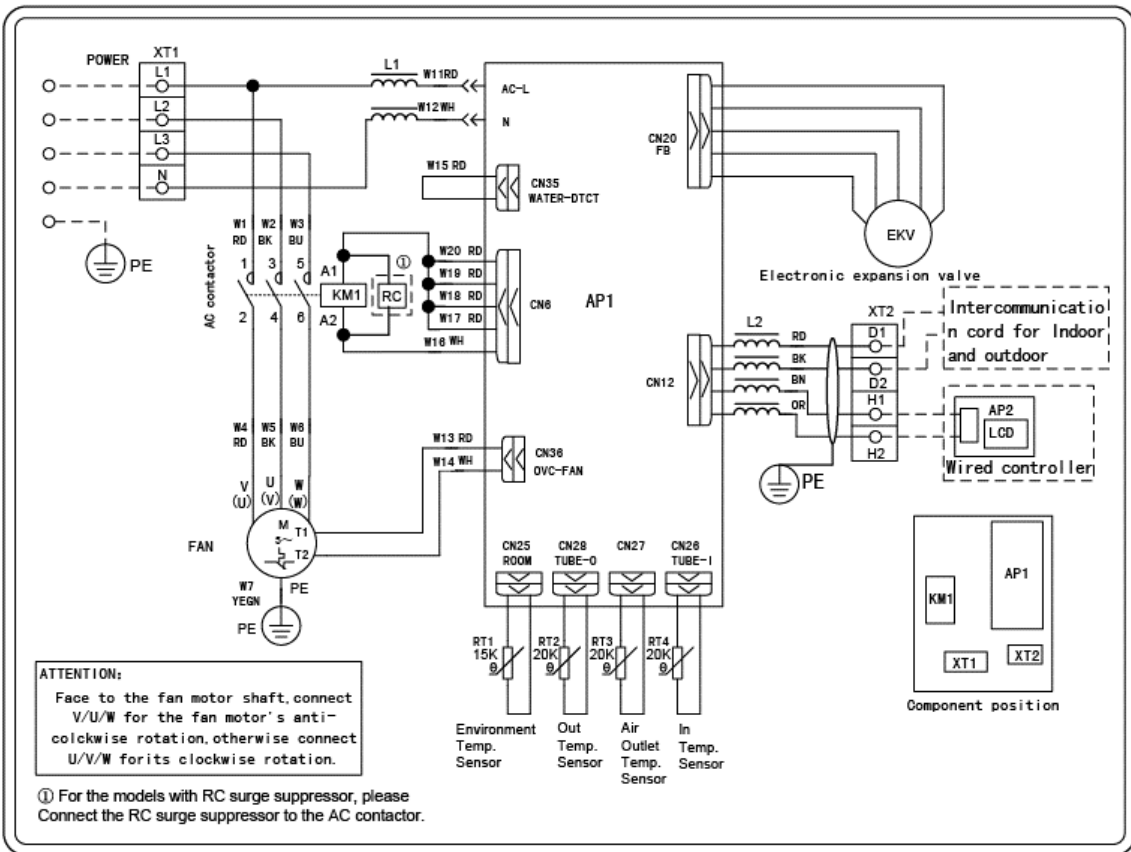
GMV-NX140P/A(X1.2)-K:



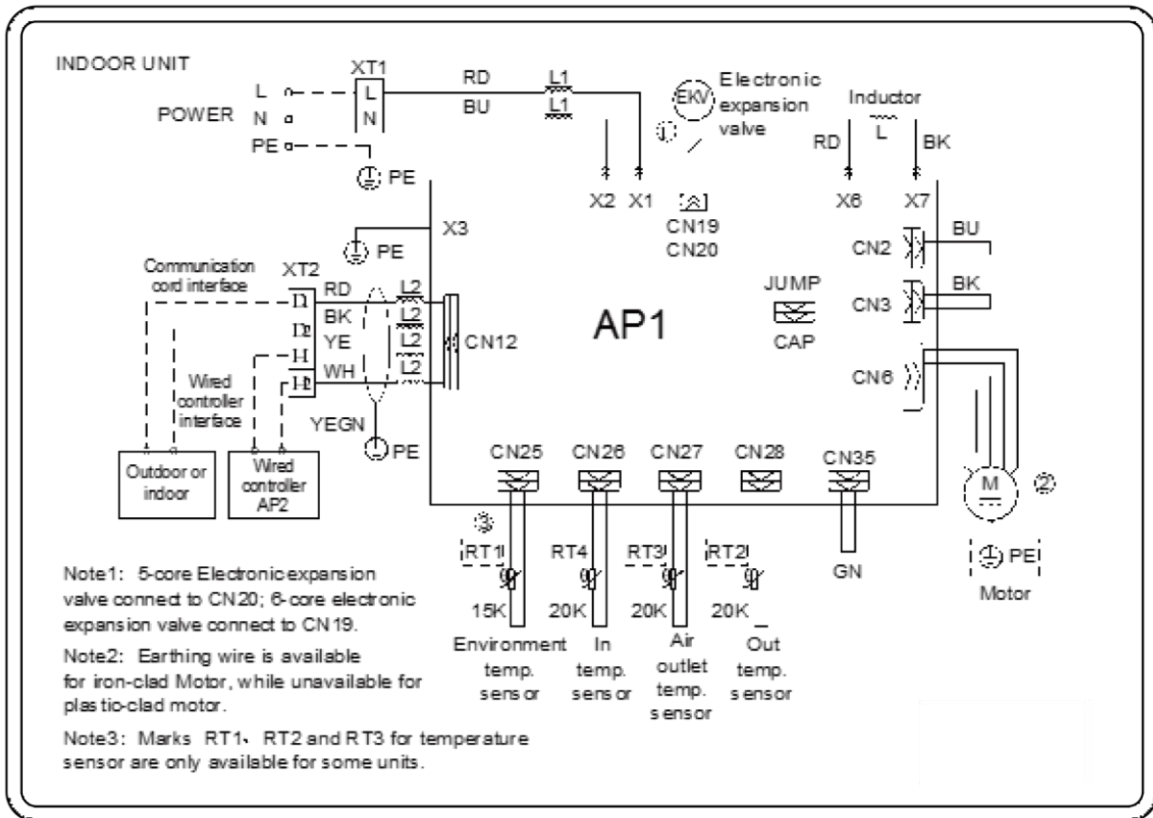
GMV-NX224P/A(X2.0)-M, GMV-NX280P/A(X2.5)-M, GMV-NX280P/A(X3.0)-M:



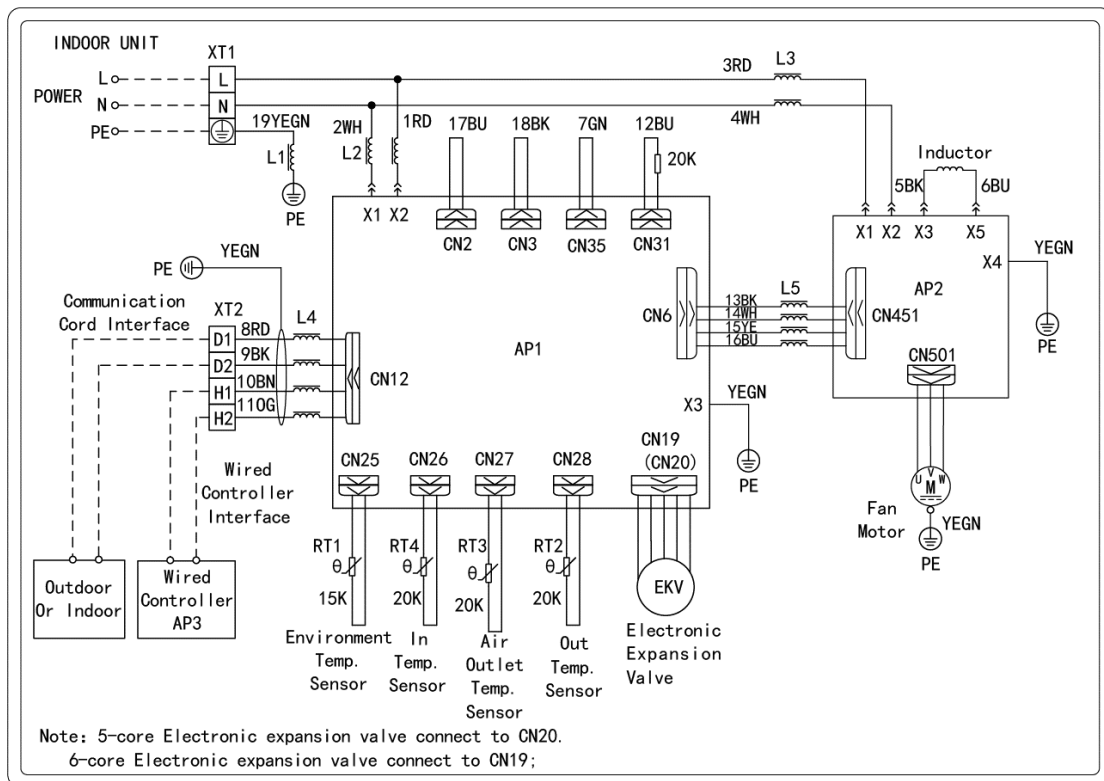
GMV-NX450P/A(X4.0)-M:



GMV-NDX125P/A-T, GMV-NDX140P/A-T:

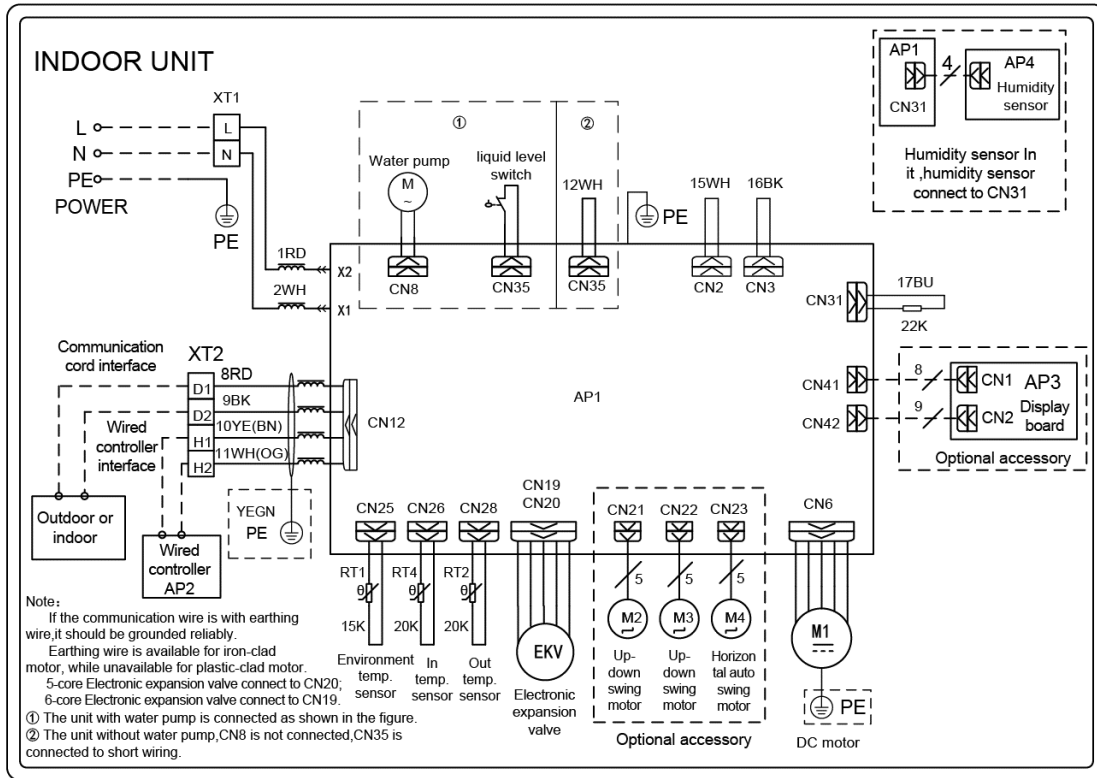


GMV-NDX224P/A-T, GMV-NDX250P/A-T, GMV-NDX280P/A-T:



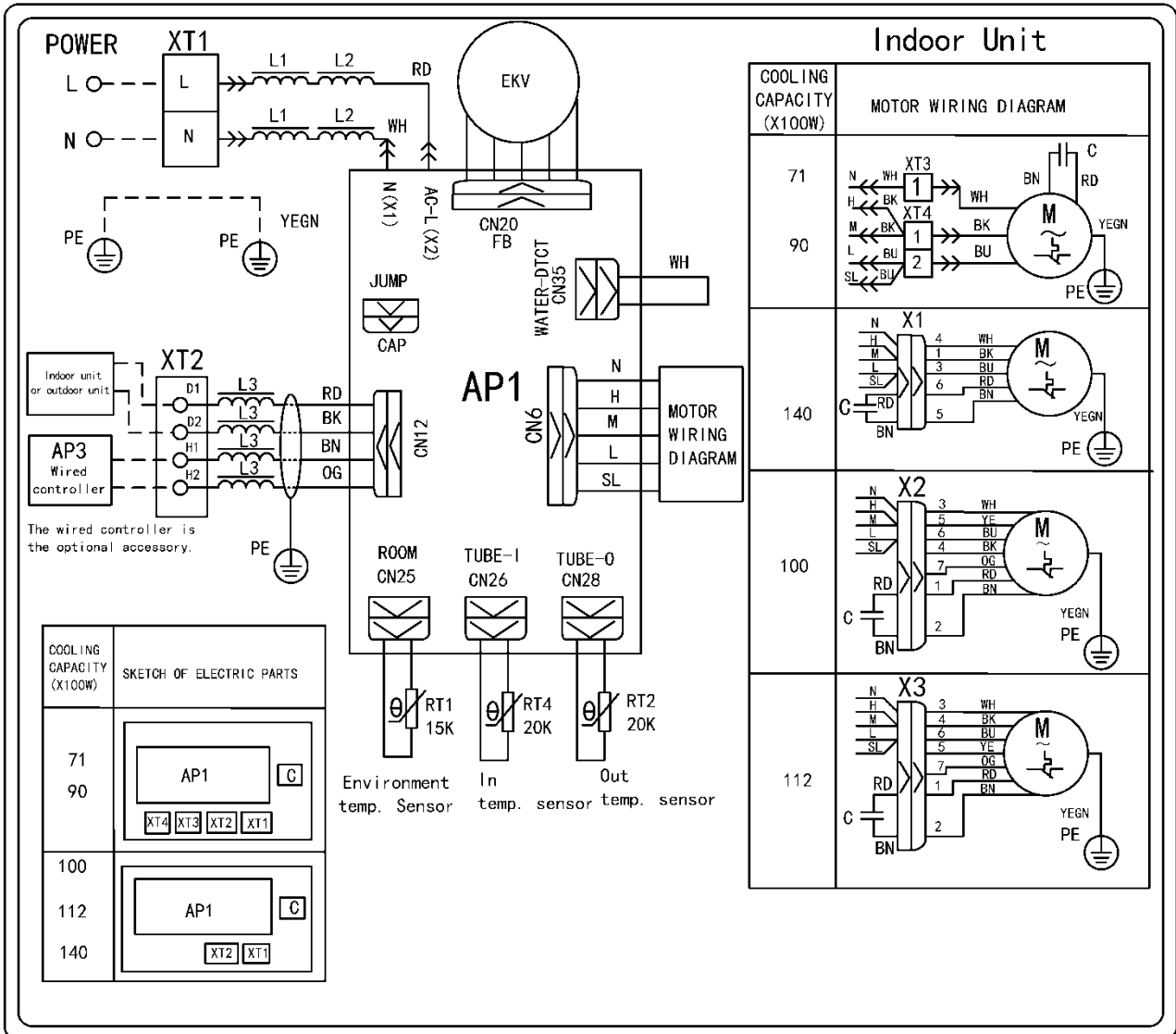
3.11 Slim Duct Type

GMV-ND22PL/B-T, GMV-ND25PL/B-T, GMV-ND28PL/B-T, GMV-ND32PL/B-T, GMV-ND36PL/B-T, GMV-ND40PL/B-T, GMV-ND45PL/B-T, GMV-ND50PL/B-T, GMV-ND56PL/B-T, GMV-ND63PL/B-T, GMV-ND72PL/B-T, GMV-ND22PLS/B1-T, GMV-ND25PLS/B1-T, GMV-ND28PLS/B1-T, GMV-ND32PLS/B1-T, GMV-ND36PLS/B1-T, GMV-ND40PLS/B1-T, GMV-ND45PLS/B1-T, GMV-ND50PLS/B1-T, GMV-ND56PLS/B1-T, GMV-ND63PLS/B1-T, GMV-ND71PLS/B1-T:



3.12 Air Handler Type Indoor Unit

GMV-NR71A/A-D, GMV-NR90A/A-D, GMV-NR100A/A-D, GMV-NR112A/A-D, GMV-NR140A/A-D:

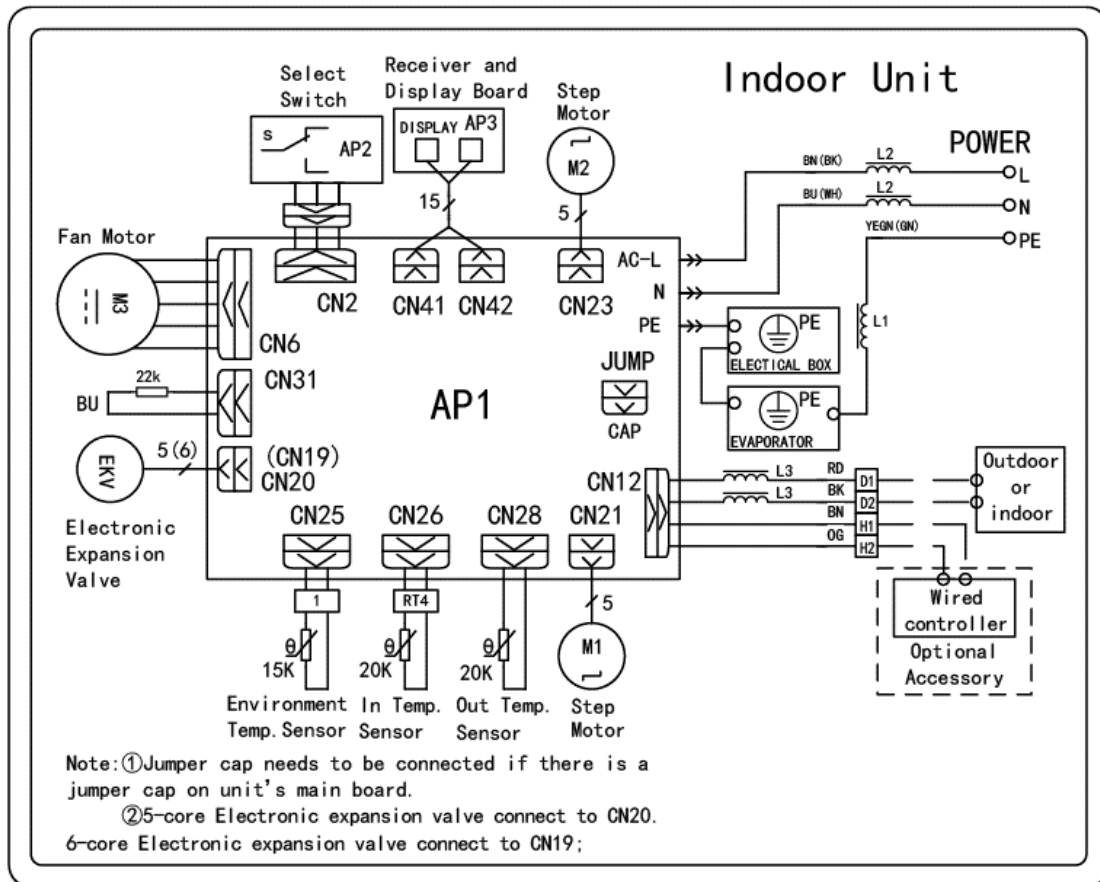


COOLING CAPACITY (X100W)	MOTOR WIRING DIAGRAM
71	
90	
140	
100	
112	

COOLING CAPACITY (X100W)	SKETCH OF ELECTRIC PARTS
71	
90	
100	
112	
140	

3.13 Console Type Indoor Unit

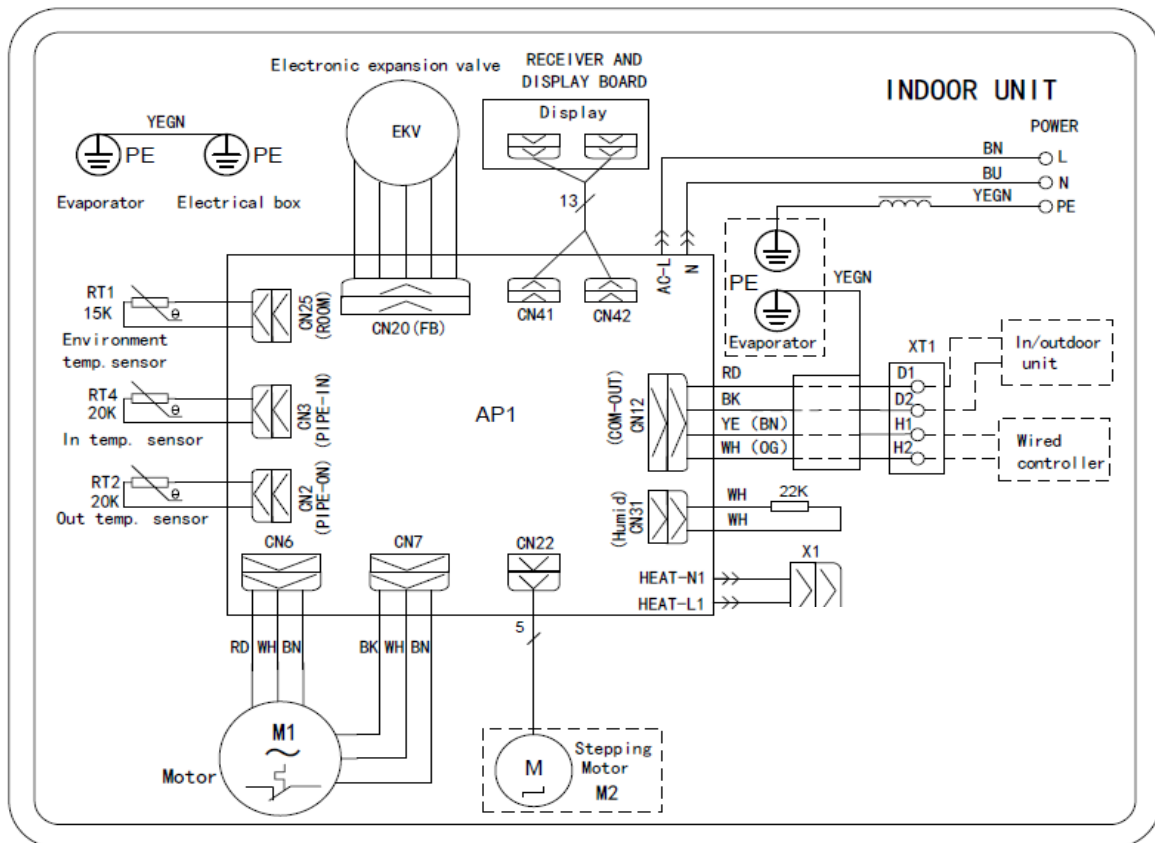
GMV-ND22C/A-T, GMV-ND28C/A-T, GMV-ND36C/A-T, GMV-ND45C/A-T, GMV-ND50C/A-T:



3.14 Wall Mounted Type Indoor Unit

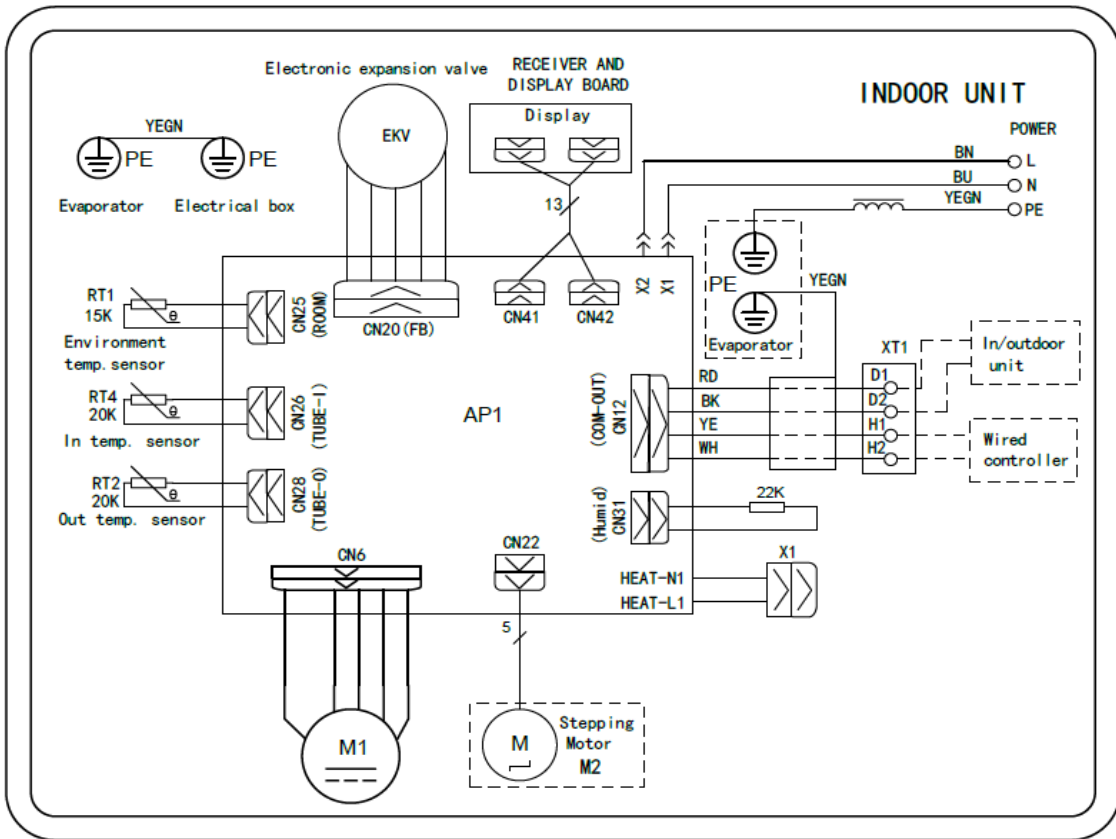
GMV-N22G/A3A-K, GMV-N28G/A3A-K, GMV-N36G/A3A-K, GMV-N45G/A3A-K,
 GMV-N50G/A3A-K, GMV-N56G/A3A-K, GMV-N63G/A3A-K, GMV-N71G/A3A-K;
 GMV-N22G/B3A-K, GMV-N28G/B3A-K, GMV-N36G/B3A-K, GMV-N45G/B3A-K,
 GMV-N50G/B3A-K, GMV-N56G/B3A-K, GMV-N63G/B3A-K, GMV-N71G/B3A-K;
 GMV-N22G/A2A-K, GMV-N28G/A2A-K, GMV-N36G/A2A-K, GMV-N45G/A2A-K,
 GMV-N50G/A2A-K, GMV-N56G/A2A-K, GMV-N63G/A2A-K, GMV-N71G/A2A-K;
 GMV-N22G/A4A-K, GMV-N28G/A4A-K, GMV-N36G/A4A-K, GMV-N45G/A4A-K,
 GMV-N50G/A4A-K, GMV-N56G/A4A-K, GMV-N63G/A4A-K, GMV-N71G/A4A-K;
 GMV-N22G/A8A-K, GMV-N28G/A8A-K, GMV-N36G/A8A-K, GMV-N45G/A8A-K,
 GMV-N50G/A8A-K, GMV-N56G/A8A-K, GMV-N63G/A8A-K, GMV-N71G/A8A-K;
 GMV-N22G/C9A-K, GMV-N28G/C9A-K, GMV-N36G/C9A-K, GMV-N45G/C9A-K,
 GMV-N50G/C9A-K, GMV-N56G/C9A-K, GMV-N63G/C9A-K, GMV-N71G/C9A-K;
 GMV-N22G/E3A-K, GMV-N28G/E3A-K, GMV-N36G/E3A-K, GMV-N45G/E3A-K,
 GMV-N50G/E3A-K, GMV-N56G/E3A-K, GMV-N63G/E3A-K, GMV-N71G/E3A-K;
 GMV-N22G/A3A-D, GMV-N28G/A3A-D, GMV-N36G/A3A-D, GMV-N45G/A3A-D,
 GMV-N50G/A3A-D, GMV-N56G/A3A-D, GMV-N63G/A3A-D, GMV-N71G/A3A-D;

GMV-N22G/A2A-D, GMV-N28G/A2A-D, GMV-N36G/A2A-D, GMV-N45G/A2A-D,
 GMV-N50G/A2A-D, GMV-N56G/A2A-D, GMV-N63G/A2A-D, GMV-N71G/A2A-D;
 GMV-N22G/A4A-D, GMV-N28G/A4A-D, GMV-N36G/A4A-D, GMV-N45G/A4A-D,
 GMV-N50G/A4A-D, GMV-N56G/A4A-D, GMV-N63G/A4A-D, GMV-N71G/A4A-D;
 GMV-N22G/A8A-D, GMV-N28G/A8A-D, GMV-N36G/A8A-D, GMV-N45G/A8A-D,
 GMV-N50G/A8A-D, GMV-N56G/A8A-D, GMV-N63G/A8A-D, GMV-N71G/A8A-D;
 GMV-N22G/C9A-D, GMV-N28G/C9A-D, GMV-N36G/C9A-D, GMV-N45G/C9A-D,
 GMV-N50G/C9A-D, GMV-N56G/C9A-D, GMV-N63G/C9A-D, GMV-N71G/C9A-D;
 GMV-N22G/E3A-D, GMV-N28G/E3A-D, GMV-N36G/E3A-D, GMV-N45G/E3A-D,
 GMV-N50G/E3A-D, GMV-N56G/E3A-D, GMV-N63G/E3A-D, GMV-N71G/E3A-D;
 GMV-N22G/B3A-D, GMV-N28G/B3A-D, GMV-N36G/B3A-D, GMV-N45G/B3A-D,
 GMV-N50G/B3A-D, GMV-N56G/B3A-D, GMV-N63G/B3A-D, GMV-N71G/B3A-D;

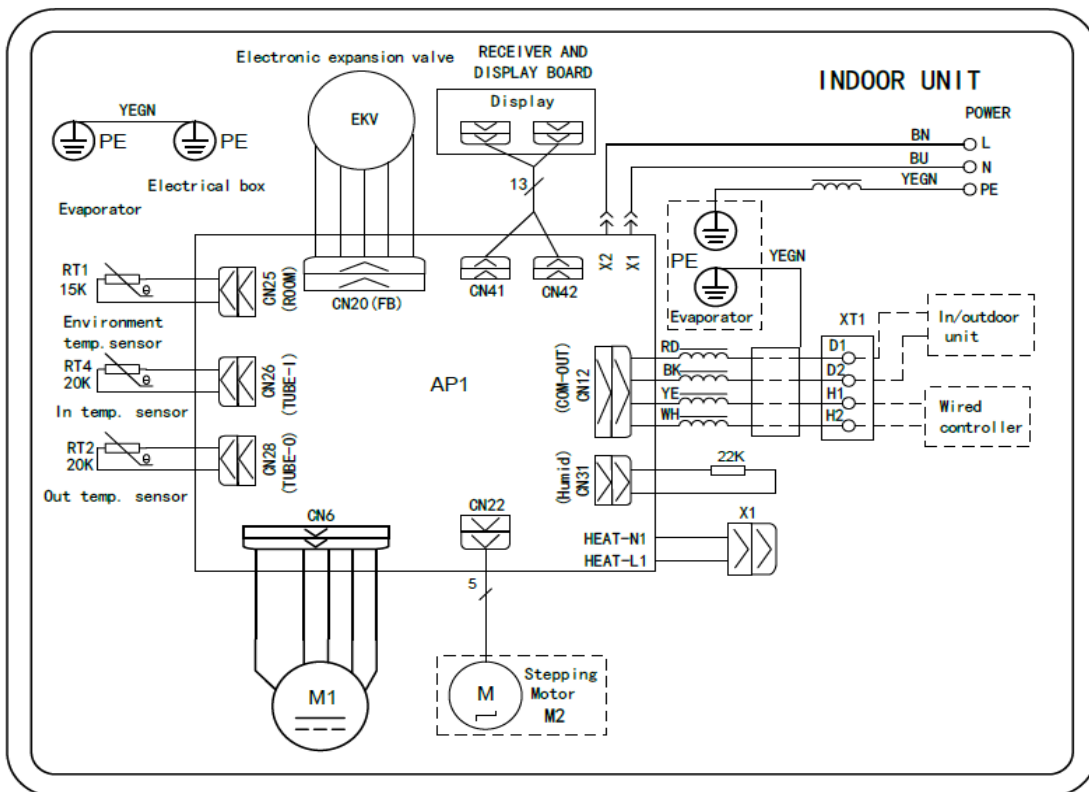


GMV-ND22G/A3A-T, GMV-ND28G/A3A-T, GMV-ND36G/A3A-T

GMV-ND22G/A8A-T, GMV-ND28G/A8A-T, GMV-ND36G/A8A-T



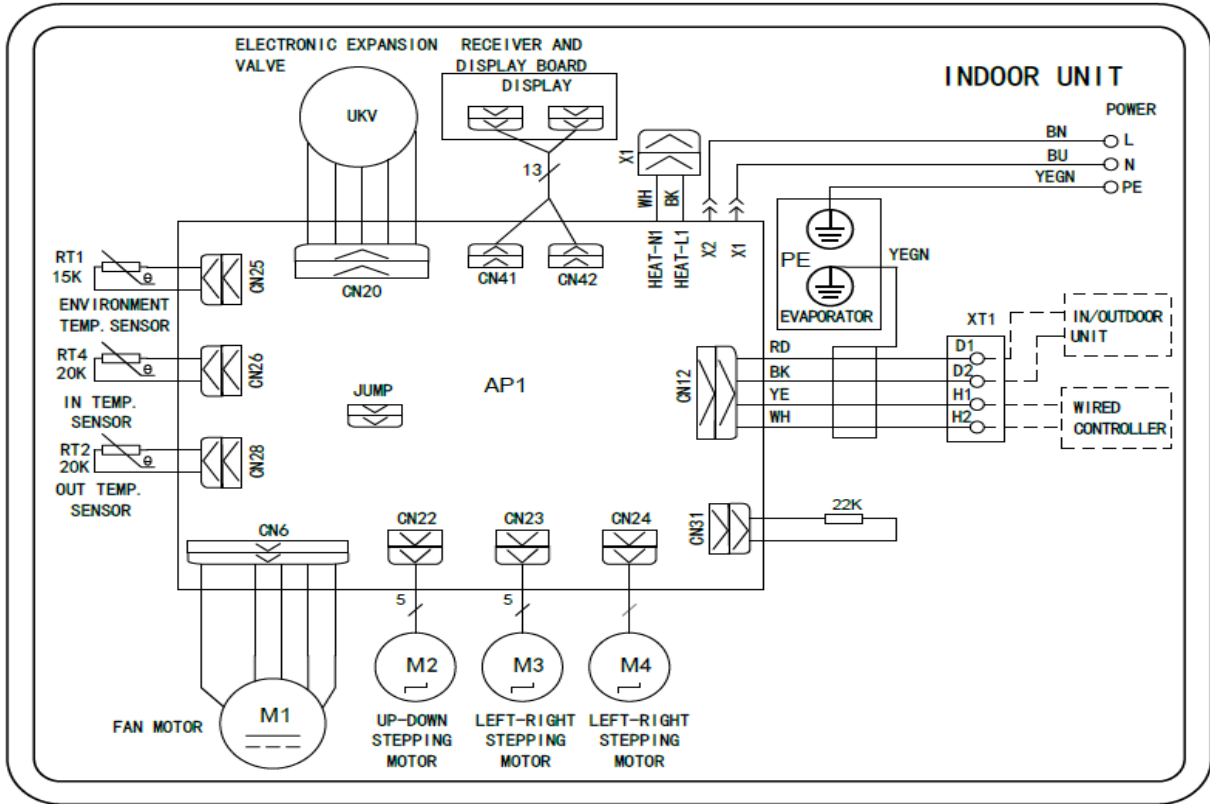
GMV-ND45G/A3A-T, GMV-ND50G/A3A-T, GMV-ND56G/A3A-T, GMV-ND63G/A3A-T, GMV-ND71G/A3A-T, GMV-ND45G/A8A-T, GMV-ND50G/A8A-T, GMV-ND56G/A8A-T, GMV-ND63G/A8A-T, GMV-ND71G/A8A-T



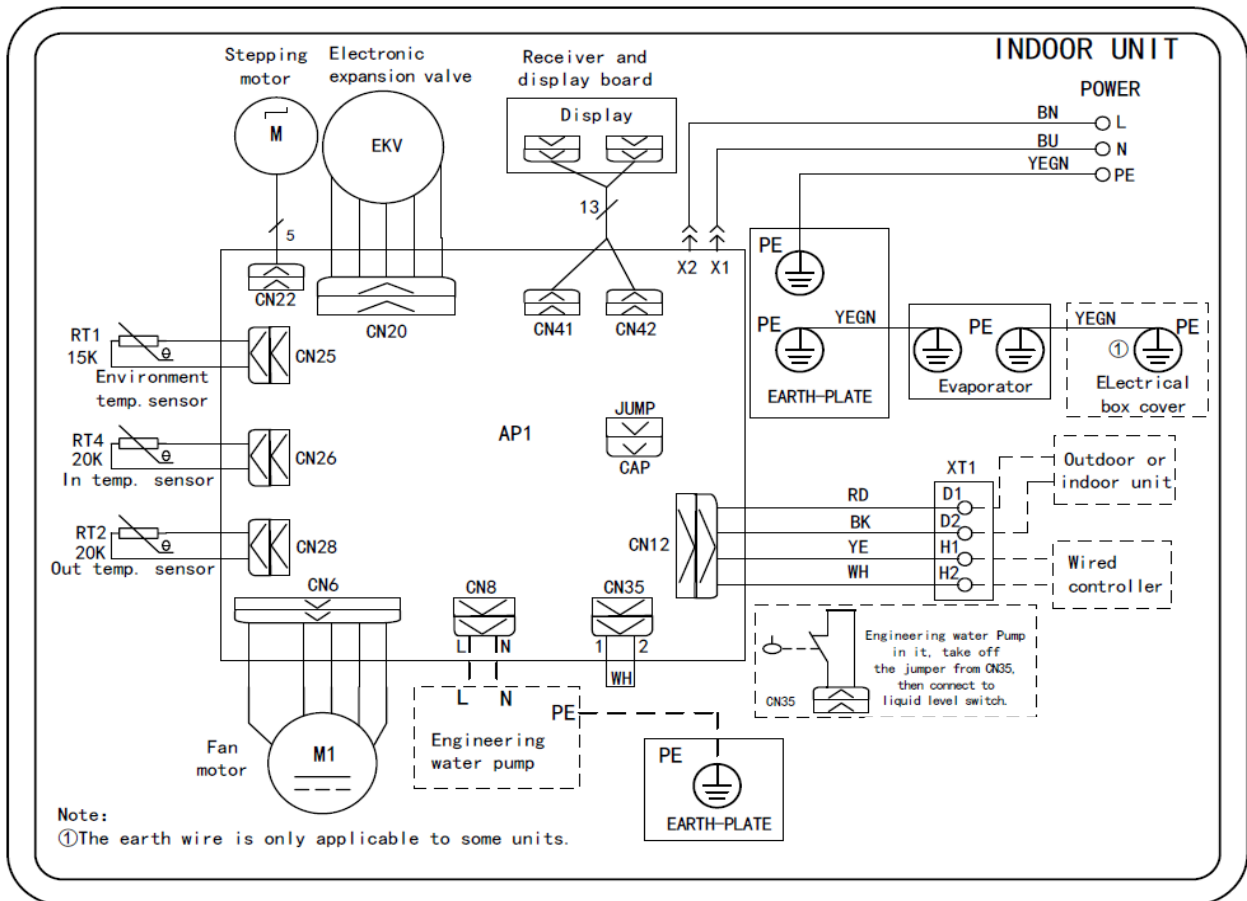
GMV-ND80G/A3A-T, GMV-ND90G/A3A-T, GMV-ND100G/A3A-T

GMV-ND80G/A8A-T, GMV-ND90G/A8A-T, GMV-ND100G/A8A-T

GMV-ND80G/B4B-T, GMV-ND90G/B4B-T, GMV-ND100G/B4B-T

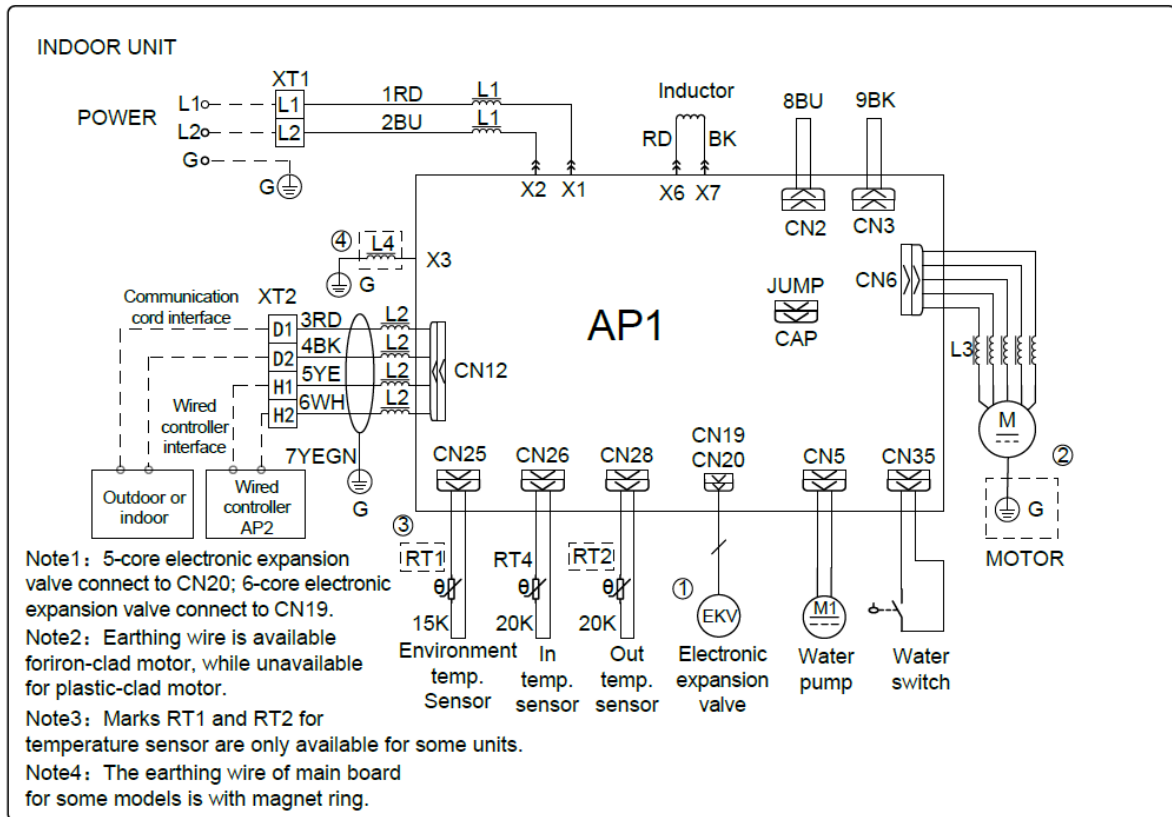


- GMV-ND15G/B6B-T, GMV-ND18G/B6B-T, GMV-ND22G/B6B-T, GMV-ND28G/B6B-T,
- GMV-ND36G/B6B-T, GMV-ND45G/B6B-T, GMV-ND50G/B6B-T, GMV-ND56G/B6B-T,
- GMV-ND63G/B6B-T, GMV-ND71G/B6B-T
- GMV-ND15G/B4B-T, GMV-ND18G/B4B-T, GMV-ND22G/B4B-T, GMV-ND28G/B4B-T,
- GMV-ND36G/B4B-T, GMV-ND45G/B4B-T, GMV-ND50G/B4B-T, GMV-ND56G/B4B-T,
- GMV-ND63G/B4B-T, GMV-ND71G/B4B-T
- GMV-ND22G/C4B-T, GMV-ND28G/C4B-T, GMV-ND36G/C4B-T, GMV-ND45G/C4B-T,
- GMV-ND50G/C4B-T, GMV-ND56G/C4B-T, GMV-ND63G/C4B-T, GMV-ND71G/C4B-T
- GMV-ND22G/C2B-T, GMV-ND28G/C2B-T, GMV-ND36G/C2B-T, GMV-ND45G/C2B-T,
- GMV-ND50G/C2B-T, GMV-ND56G/C2B-T, GMV-ND63G/C2B-T, GMV-ND71G/C2B-T
- GMV-ND22G/D2B-T, GMV-ND28G/D2B-T, GMV-ND36G/D2B-T, GMV-ND45G/D2B-T,
- GMV-ND50G/D2B-T, GMV-ND56G/D2B-T, GMV-ND63G/D2B-T, GMV-ND71G/D2B-T

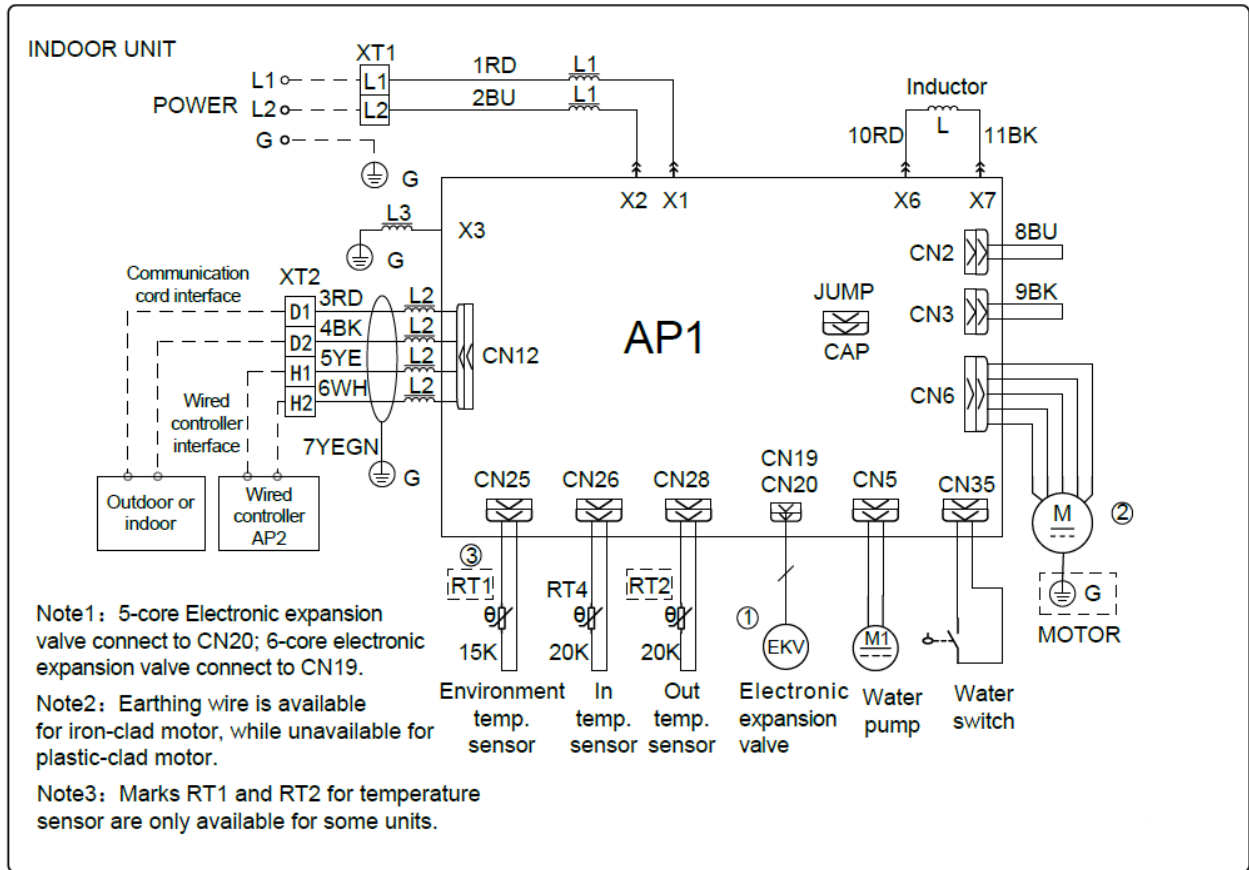


3.15 Super High Static Pressure Duct Type Indoor Unit

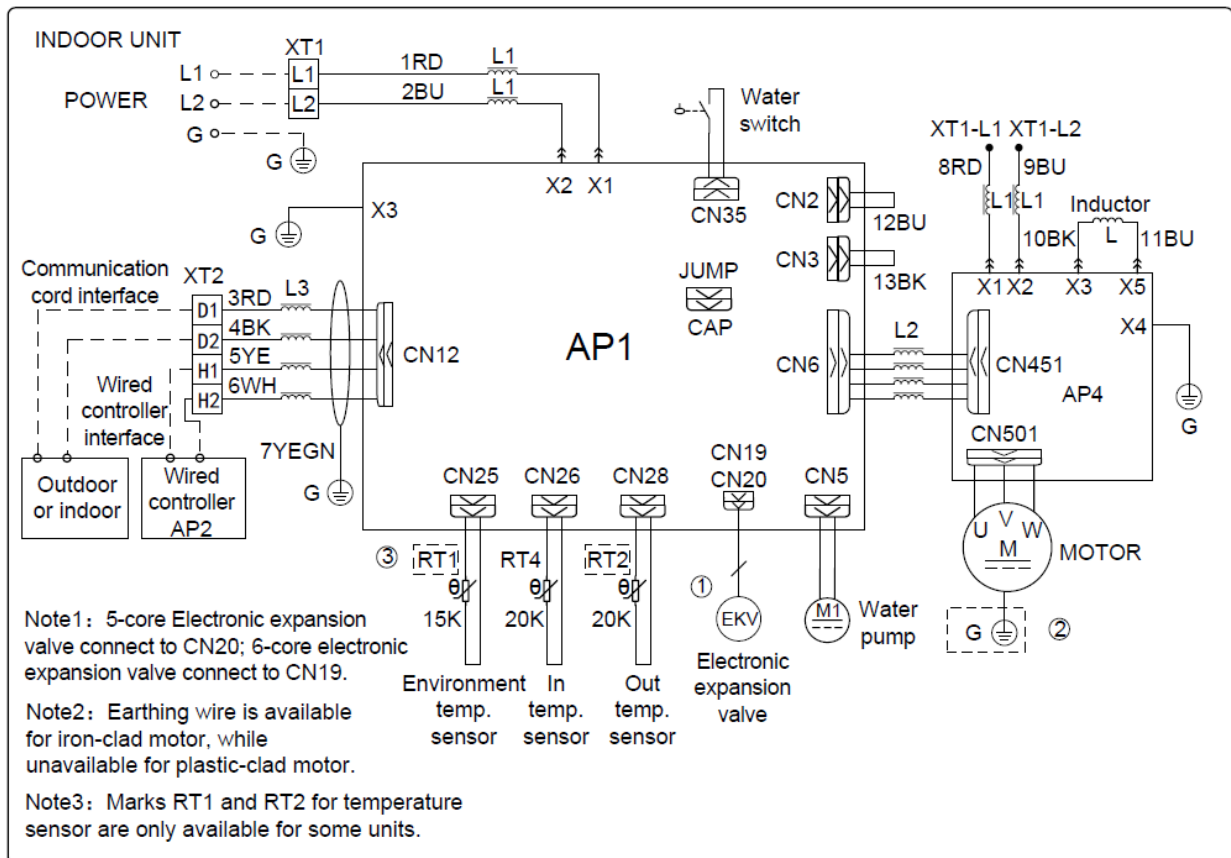
GMV-ND22PHS/B-T, GMV-ND25PHS/B-T, GMV-ND28PHS/B-T, GMV-ND32PHS/B-T, GMV-ND36PHS/B-T, GMV-ND40PHS/B-T, GMV-ND45PHS/B-T, GMV-ND50PHS/B-T, GMV-ND56PHS/B-T, GMV-ND63PHS/B-T, GMV-ND71PHS/B-T, GMV-ND80PHS/B-T:



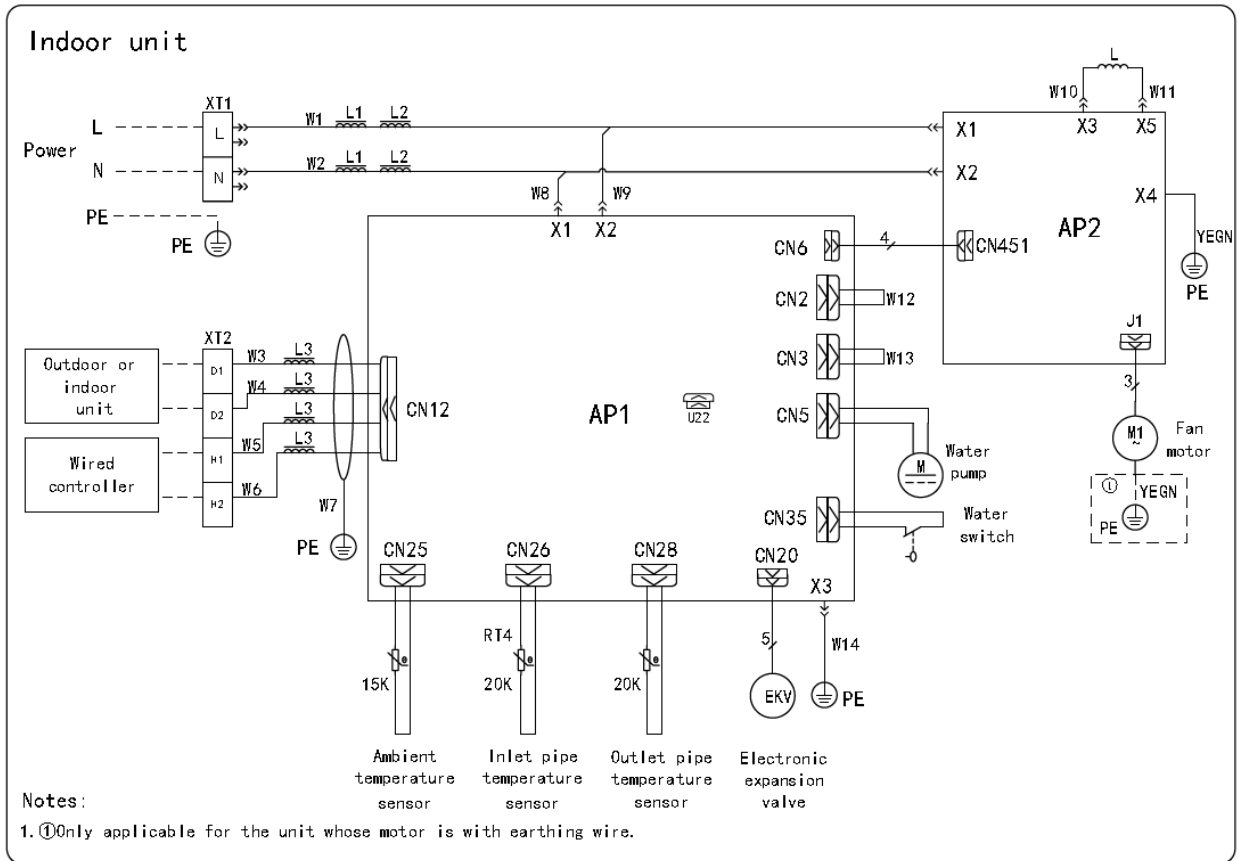
GMV-ND90PHS/B-T, GMV-ND100PHS/B-T, GMV-ND112PHS/B-T, GMV-ND125PHS/B-T:



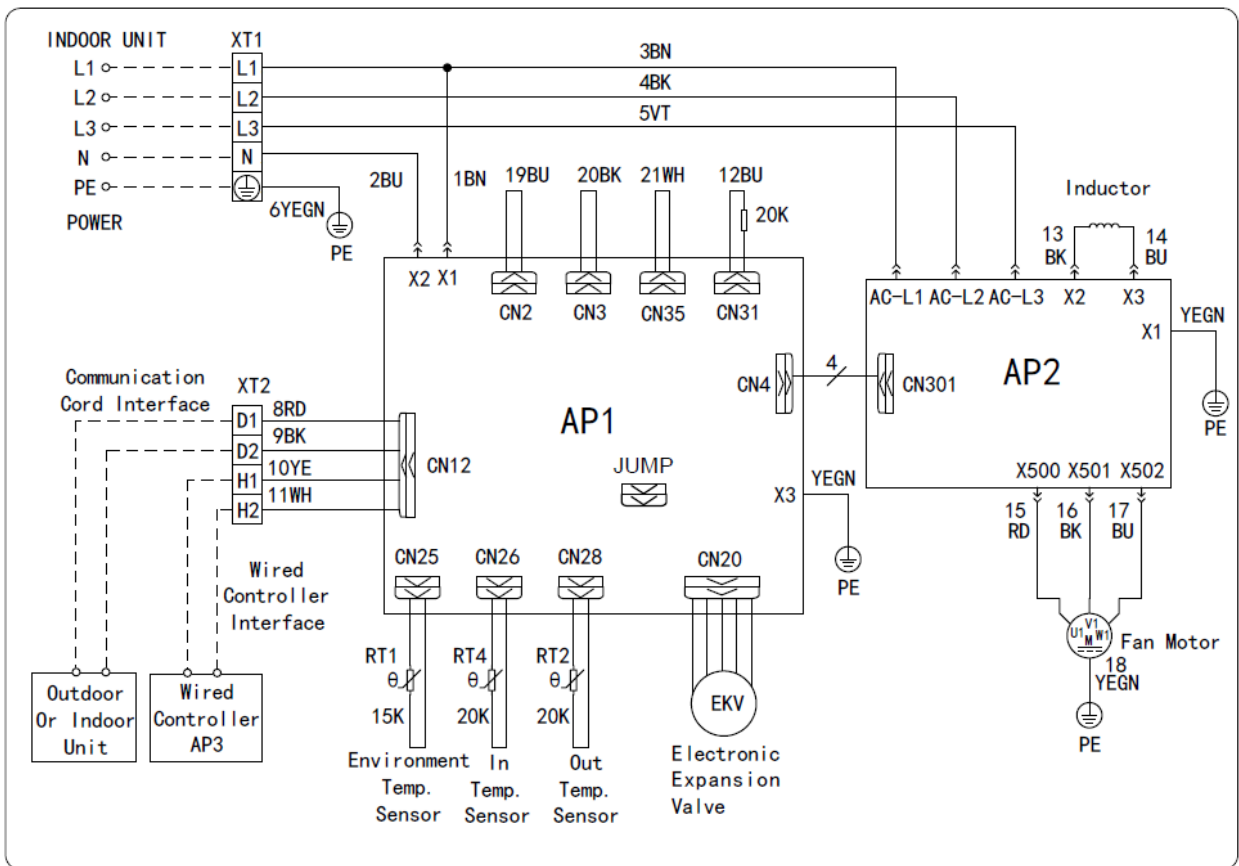
GMV-ND140PHS/B-T, GMV-ND160PHS/B-T:



GMV-ND180PHS/B-T:

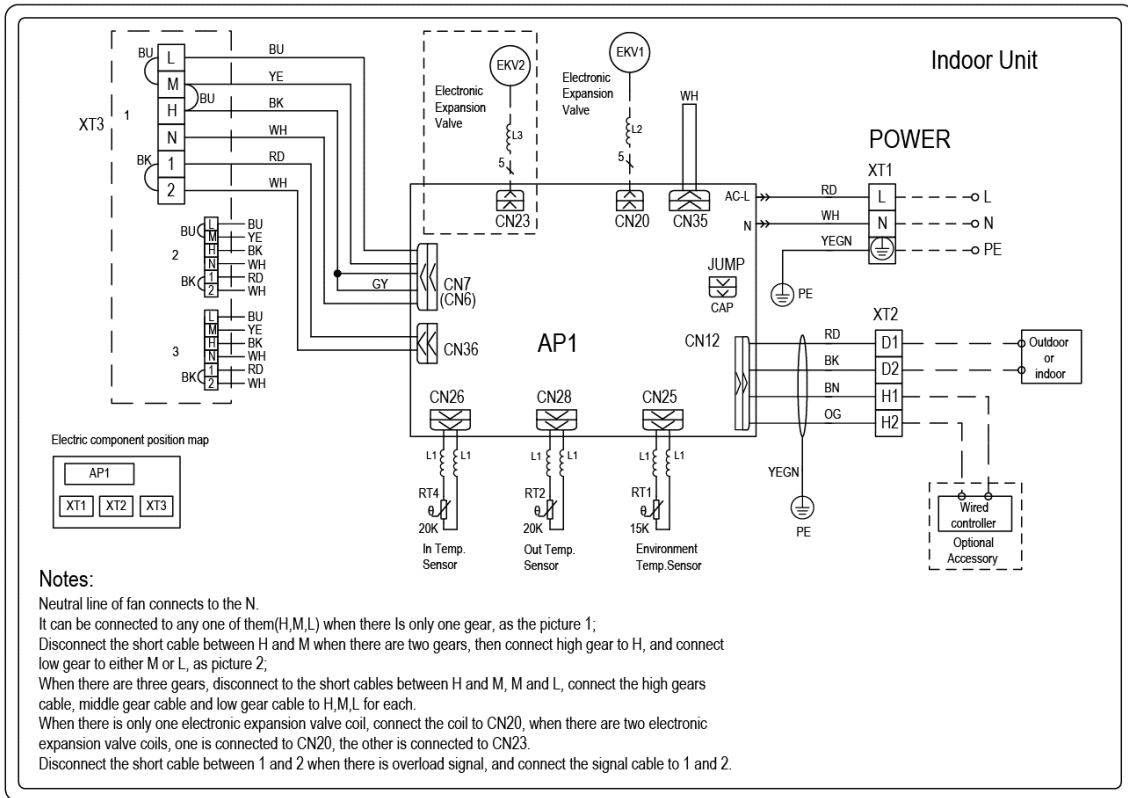


GMV-ND400PH/AR-X、GMV-ND450PH/AR-X、GMV-N560PH/AR-M

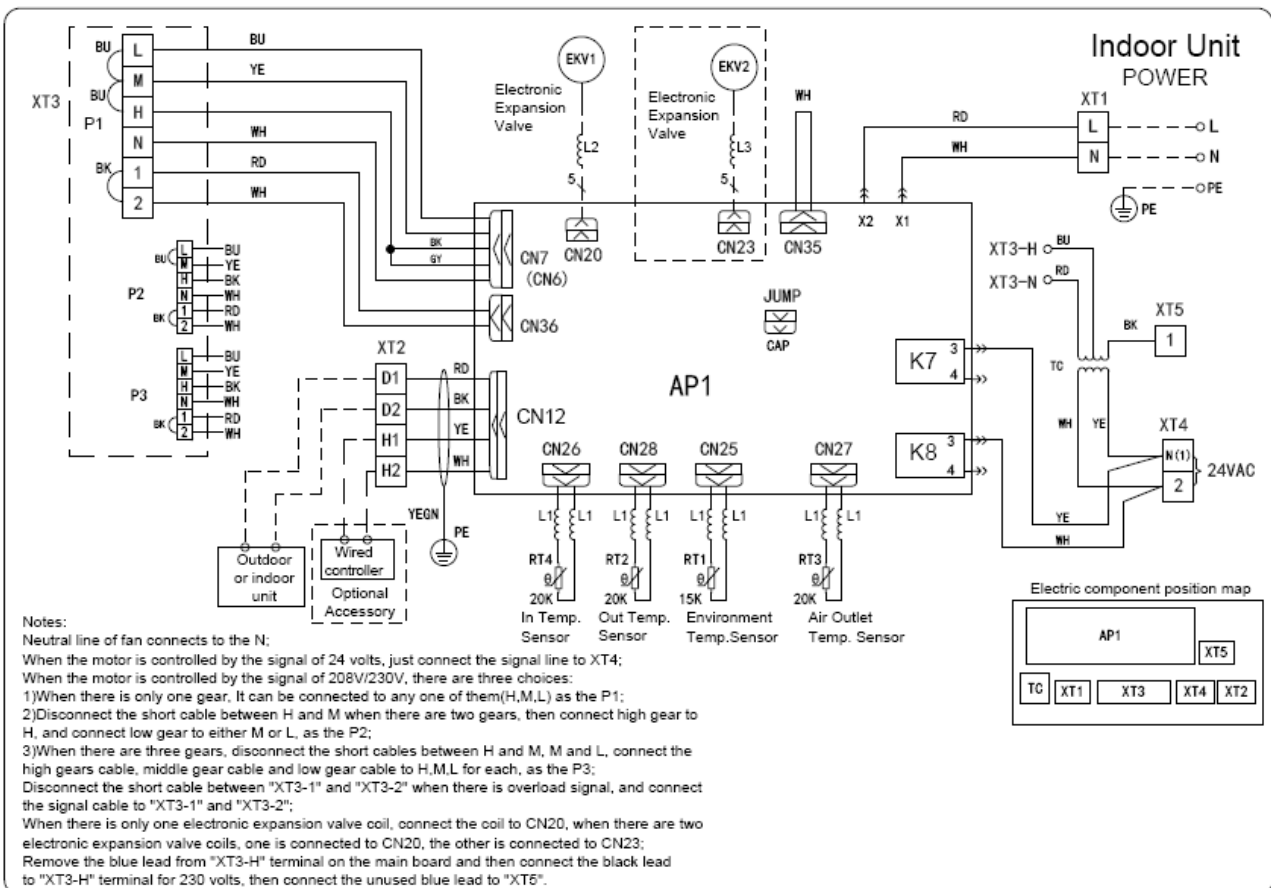


3.16 AHU-KIT Type

GMV-N36U/A-T, GMV-N71U/A-T, GMV-N140U/A-T, GMV-N280U/A-T, GMV-N560U/A-T:

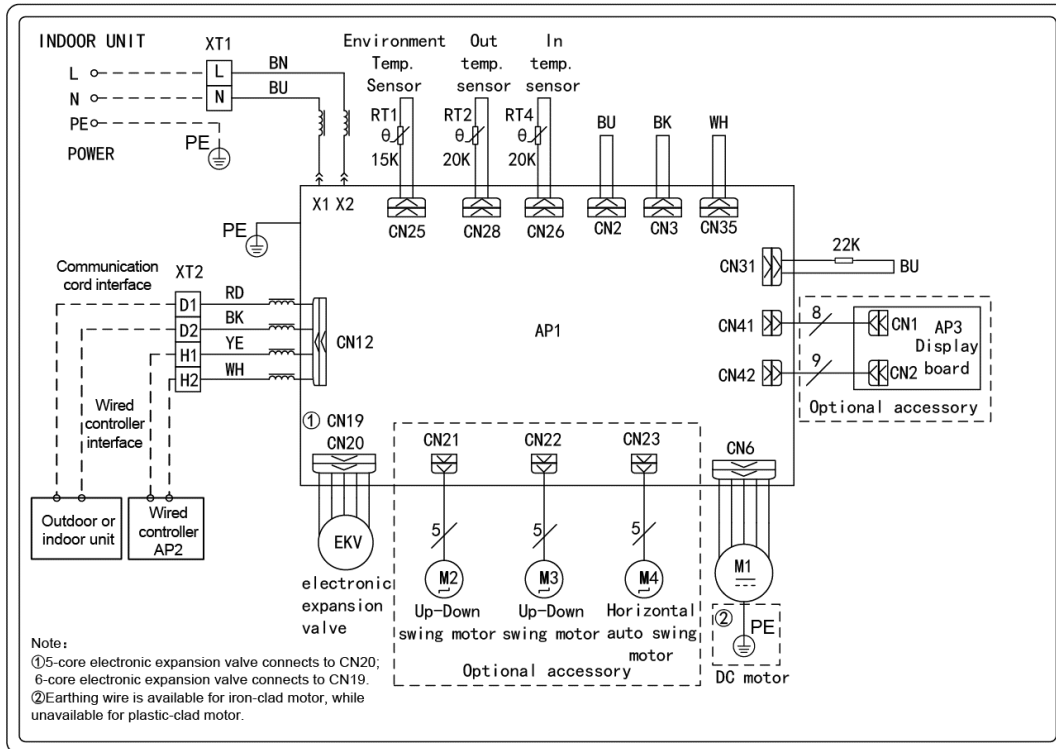


GMV-N36U/B-T, GMV-N71U/B-T, GMV-N140U/B-T, GMV-N280U/B-T, GMV-N560U/B-T,
 GMV-N36U/C-T, GMV-N71U/C-T, GMV-N140U/C-T, GMV-N280U/C-T, GMV-N560U/C-T:



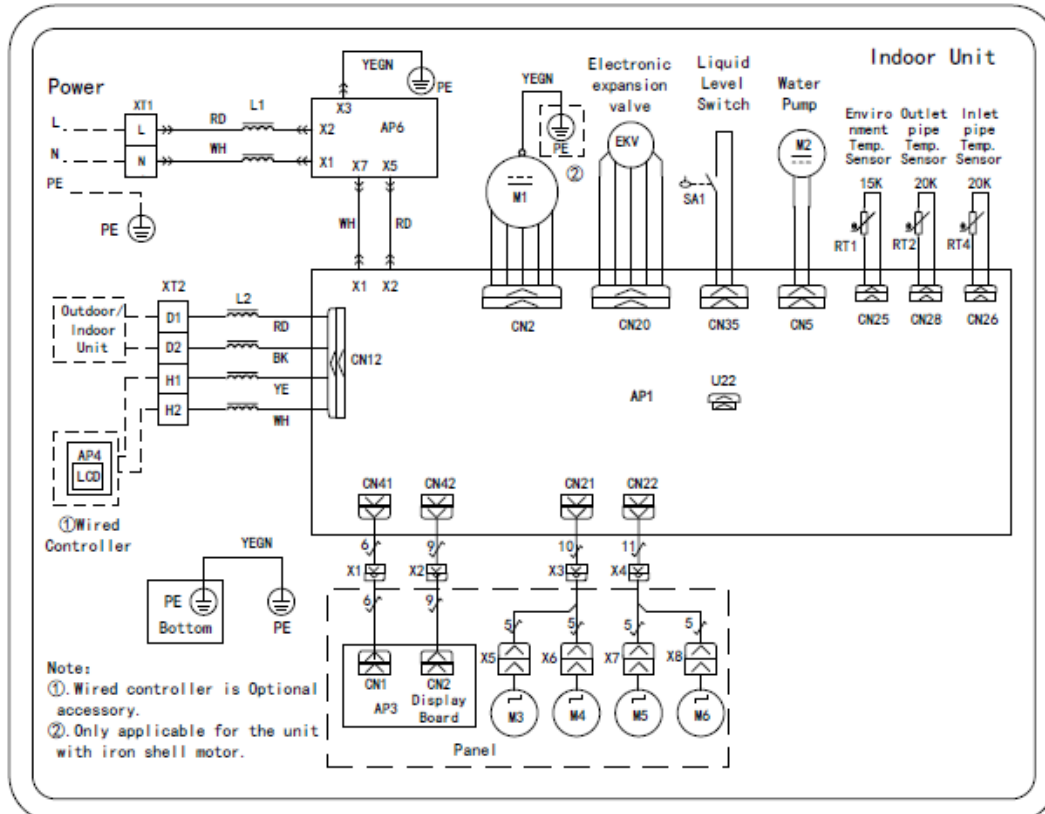
3.17 Concealed Floor Standing Type

GMV-ND22ZA/A-T, GMV-ND28ZA/A-T, GMV-ND36ZA/A-T, GMV-ND45ZA/A-T, GMV-ND56ZA/A-T, GMV-ND63ZA/A-T, GMV-ND71ZA/A-T:

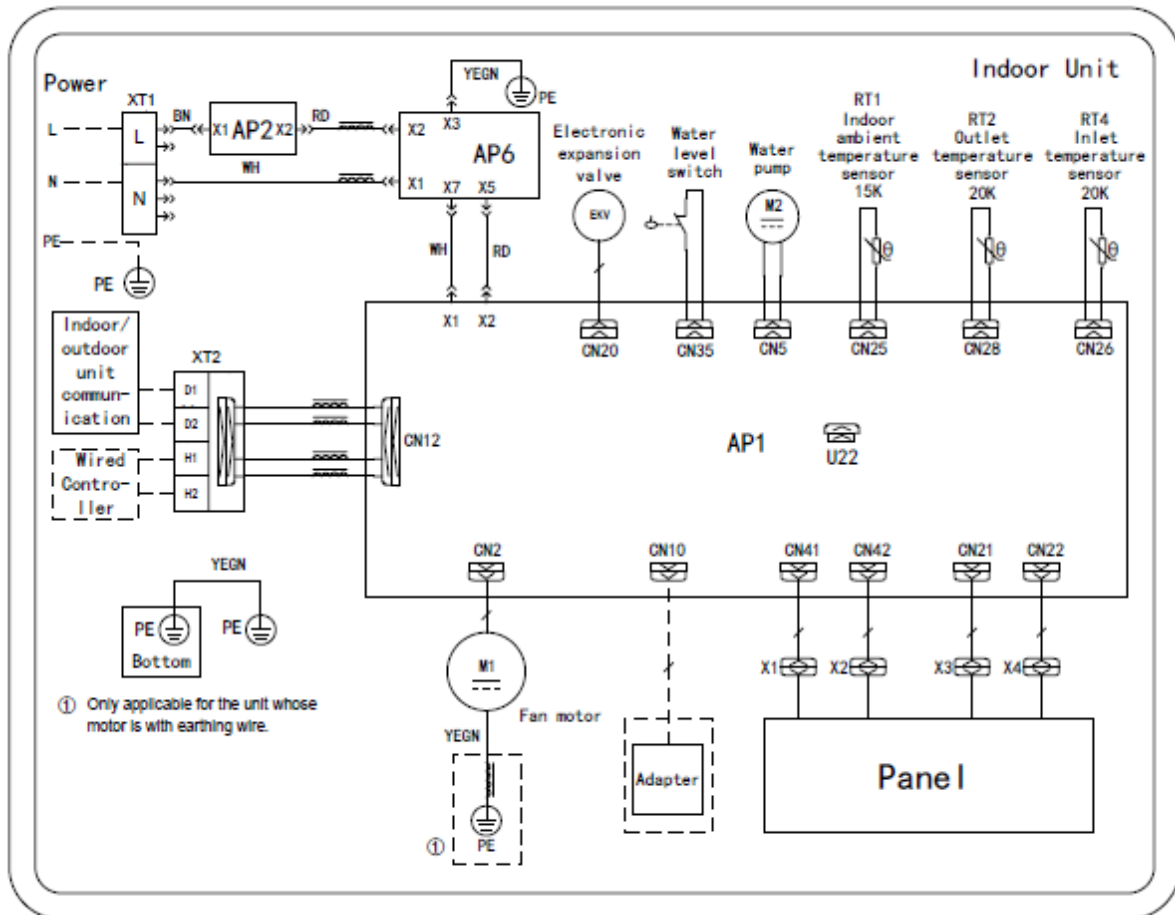


3.18 360° Air Discharge Cassette Type

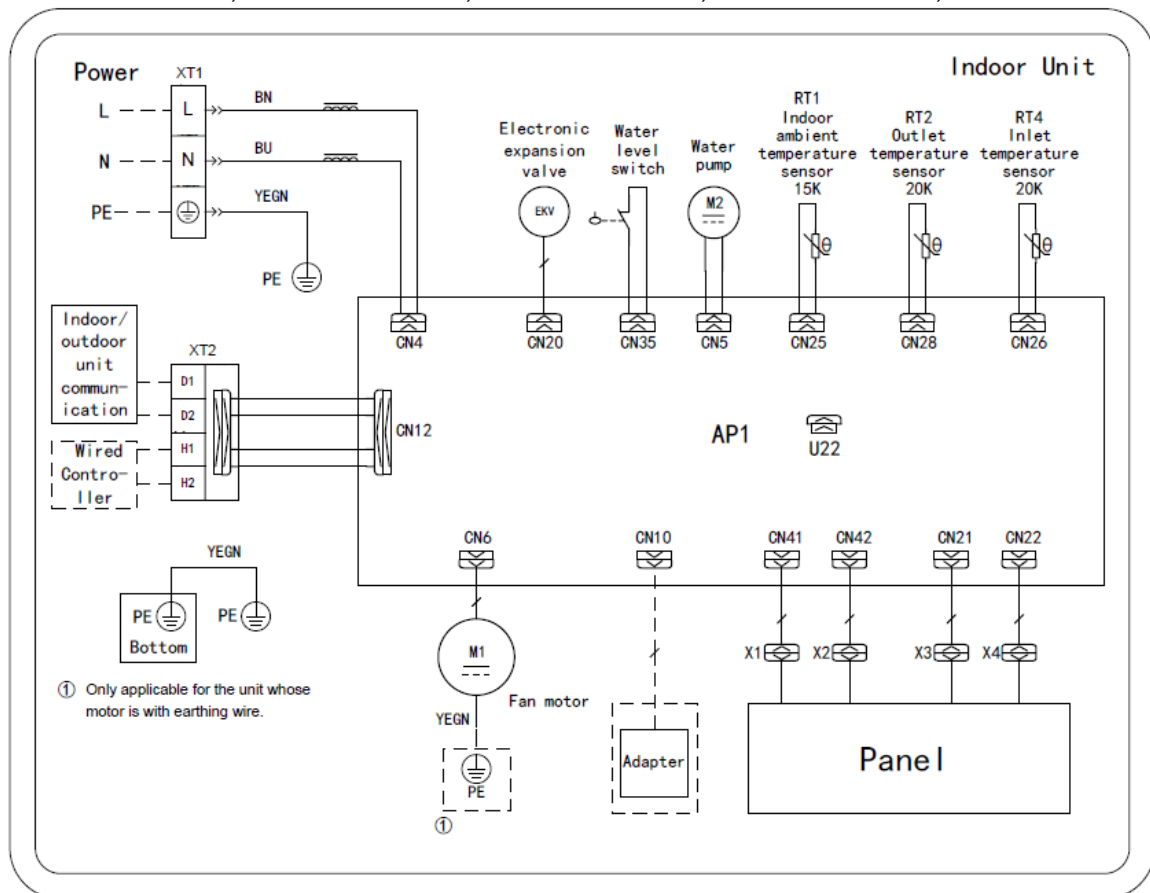
GMV-ND22T/C-T, GMV-ND28T/C-T, GMV-ND36T/C-T, GMV-ND45T/C-T, GMV-ND50T/C-T, GMV-ND56T/C-T, GMV-ND63T/C-T, GMV-ND71T/C-T, GMV-ND80T/C-T, GMV-ND90T/C-T, GMV-ND100T/C-T, GMV-ND112T/C-T, GMV-ND125T/C-T, GMV-ND140T/C-T,



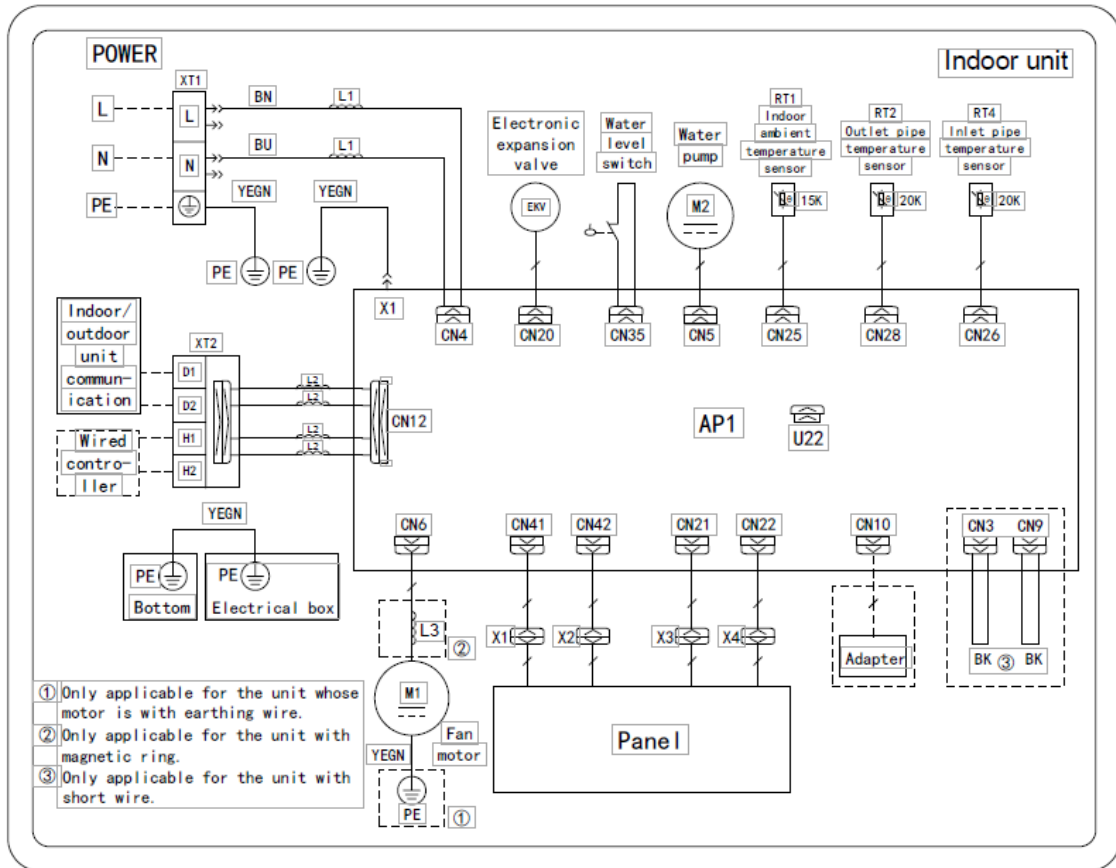
GMV-ND160T/C-T



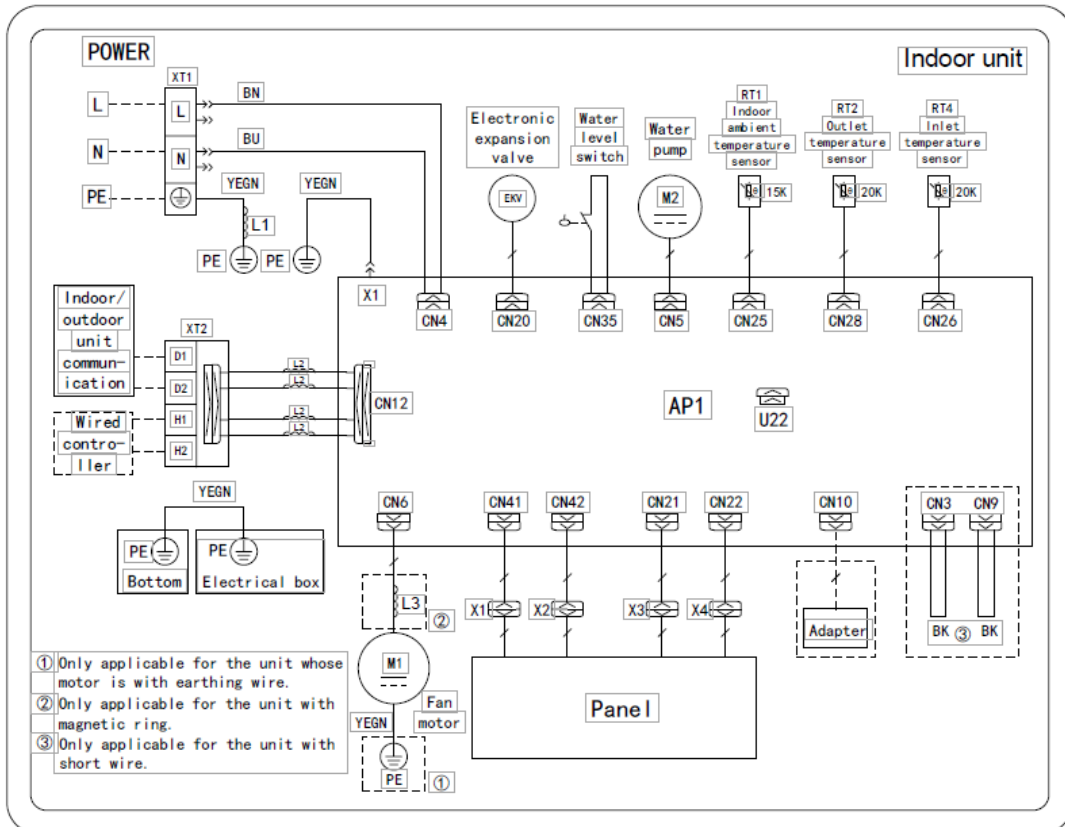
GMV-ND22T/C1-T, GMV-ND28T/C1-T, GMV-ND36T/C1-T, GMV-ND45T/C1-T, GMV-ND50T/C1-T:



GMV-ND22T/D1-T,GMV-ND28T/D1-T,GMV-ND36T/D1-T,GMV-ND45T/D1-T,GMV-ND50T/D1-T,GMV-ND56T/D1-T,GMV-ND63T/D1-T,GMV-ND71T/D1-T:

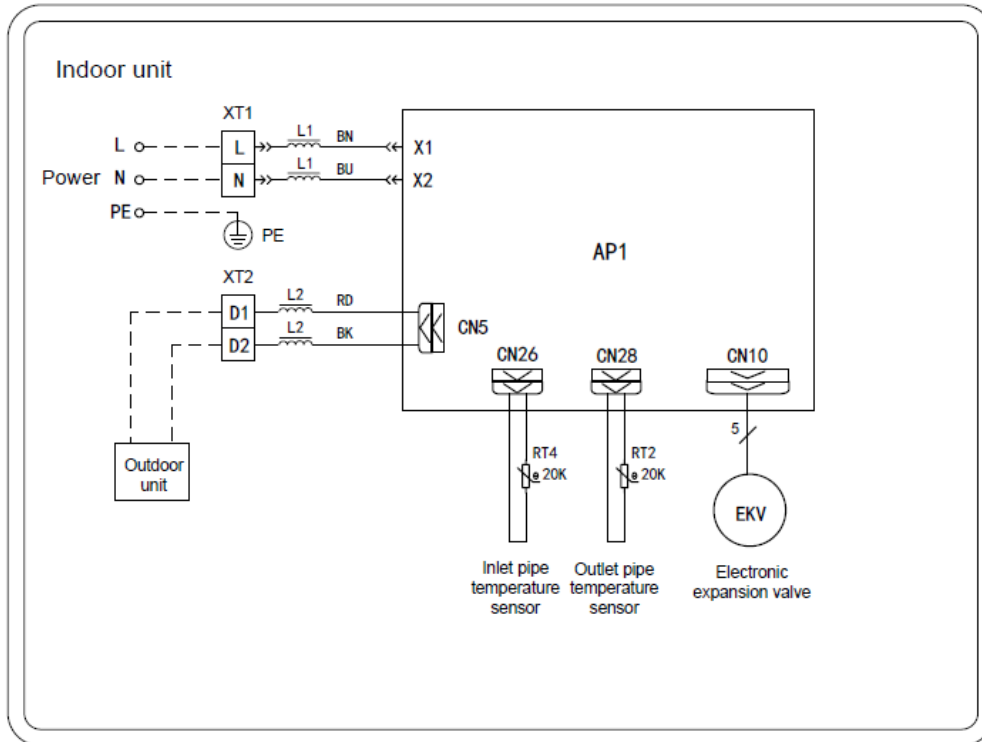


GMV-ND80T/D1-T,GMV-ND90T/D1-T,GMV-ND100T/D1-T,GMV-ND112T/D1-T,GMV-ND125T/D1-T,GMV-ND140T/D1-T:



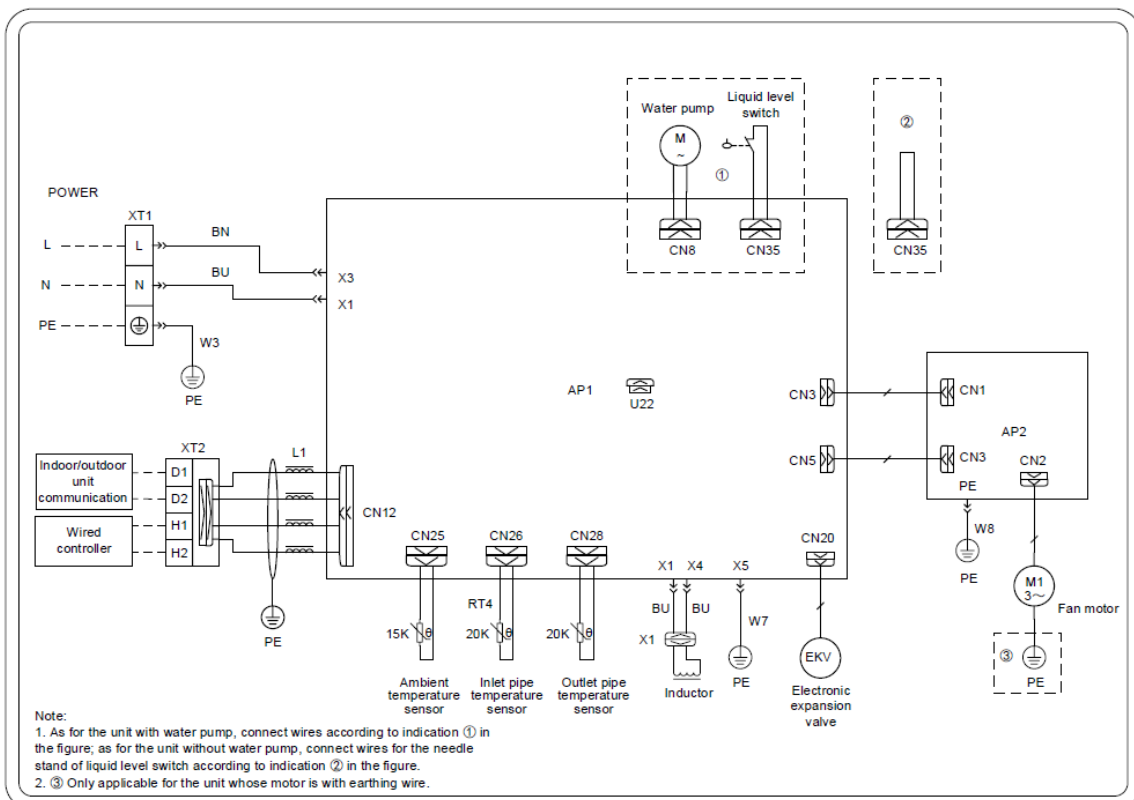
3.19 Heat Storage Module

XRZ180L/A-T

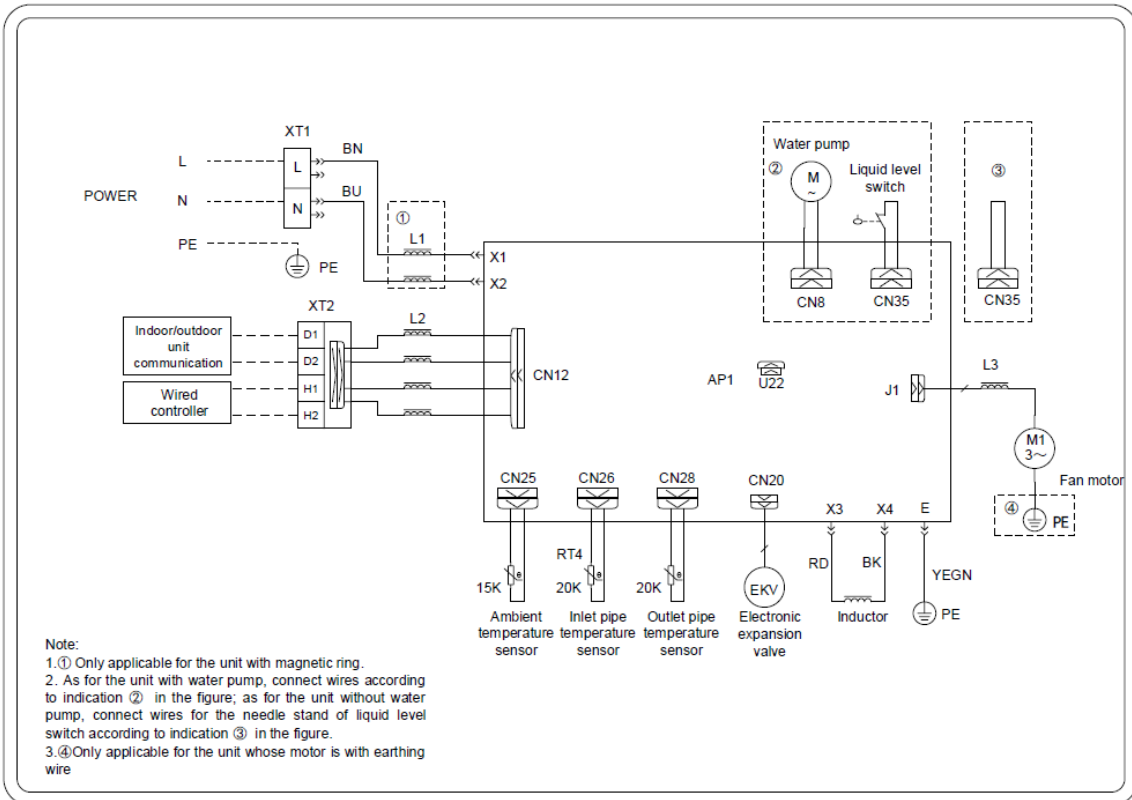


3.20 High Static Pressure Duct Type Indoor Unit

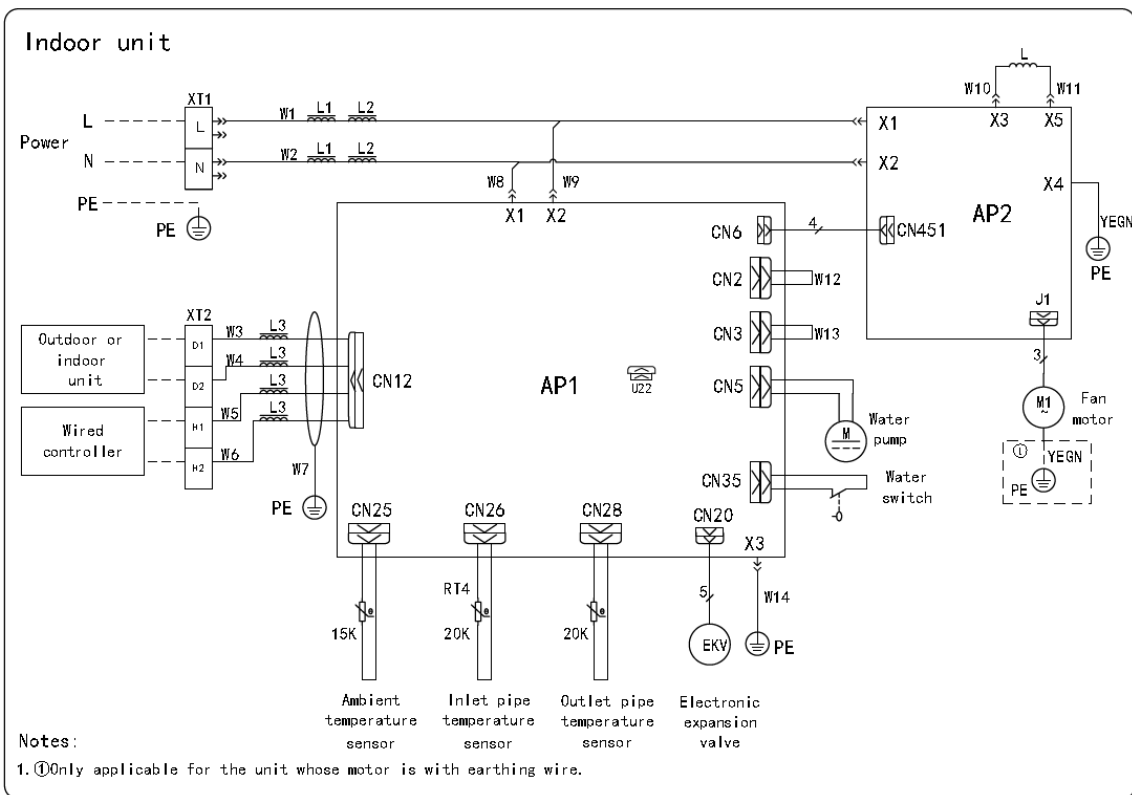
GMV-ND22PHS/D-T, GMV-ND25PHS/D-T, GMV-ND28PHS/D-T, GMV-ND32PHS/D-T, GMV-ND36PHS/D-T, GMV-ND40PHS/D-T, GMV-ND45PHS/D-T, GMV-ND50PHS/D-T, GMV-ND56PHS/D-T, GMV-ND63PHS/D-T, GMV-ND71PHS/D-T, GMV-ND80PHS/D-T:



GMV-ND90PHS/D-T, GMV-ND100PHS/D-T, GMV-ND112PHS/D-T, GMV-ND125PHS/D-T, GMV-ND140PHS/D-T, GMV-ND160PHS/D-T:

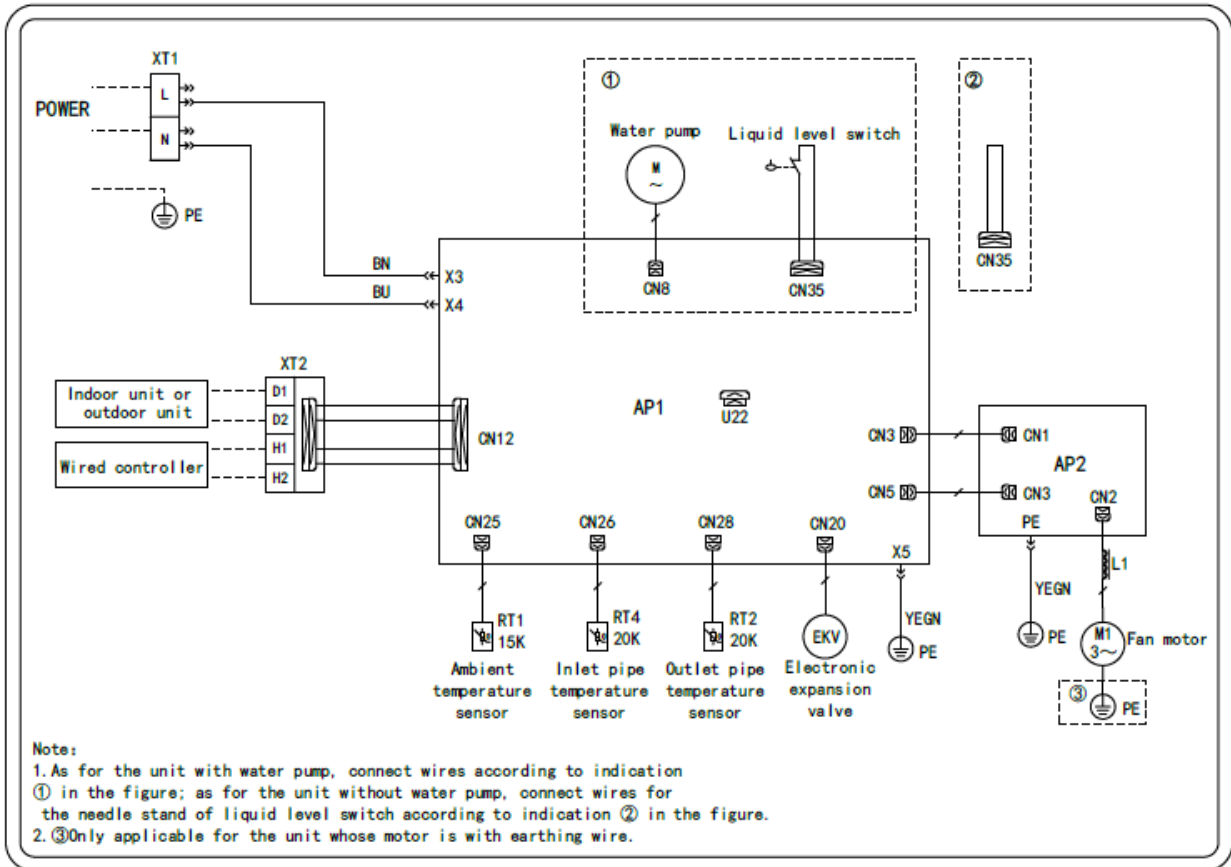


GMV-ND180PHS/D-T:

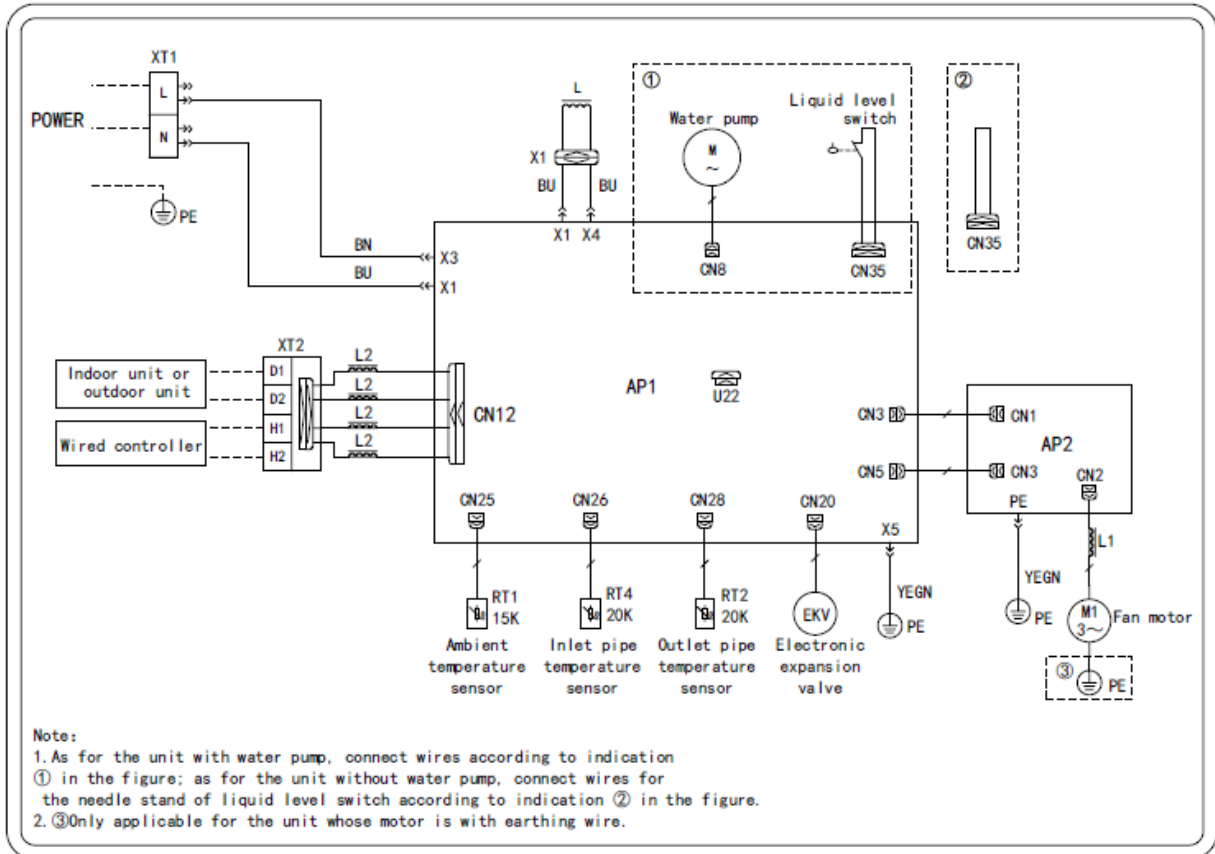


3.2.1 Middle Static Pressure Duct Type Indoor Unit

GMV-ND56~80PMS/A1-T:

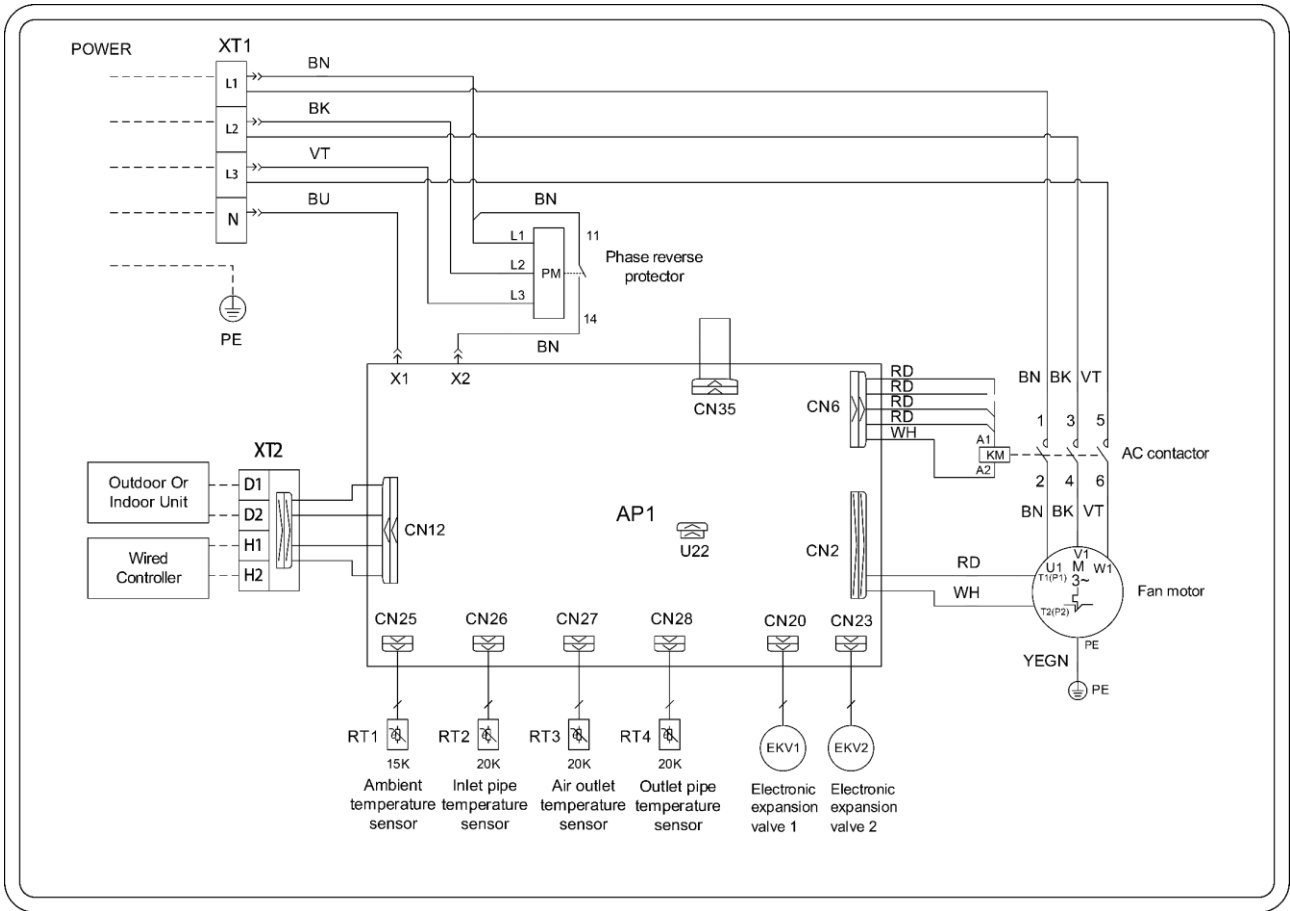


GMV-ND90~140PMS/A1-T:



3.22 VRF Rooftop Packaged Unit

GMV-N790GK/HA-M, GMV-N790GK/HA-H:



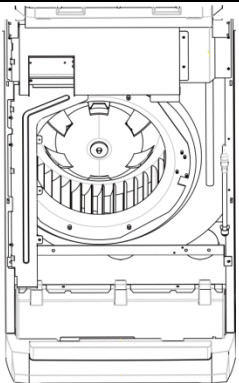
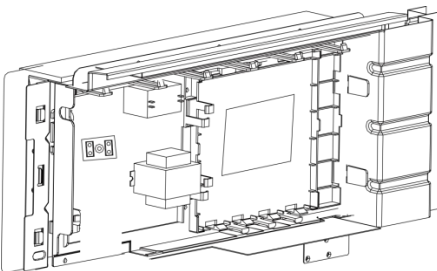
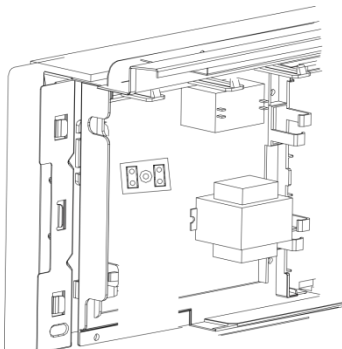
4 Disassembly and Assembly Procedure of Main Parts

4.1 Floor Standing Type

Note:



The following steps are specific for GMV-ND100L/A-T and GMV-ND140L/A-T.






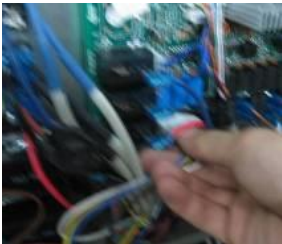
Removal and Assembly of electric box		
Remarks: Before removing the electric box, make sure to cut off the power firstly.		
Step	Illustration	Handling Instruction
1. Loosen the buckles on both sides of the bottom panel.		Cut off the power supply of indoor unit. Loosen the buckles on both sides of the bottom panel.

Removal and Assembly of electric box		
Remarks: Before removing the electric box, make sure to cut off the power firstly.		
Step	Illustration	Handling Instruction
2. Unscrew the screws on the bottom panel and then pull it out outwards.		Unscrew the screws on the bottom panel and then pull it out outwards.
3. Unscrew the screws on the electric box and then open the cover of it.		Unscrew the screws on the electric box and then open the cover of it.
4. Connect the power cord and the connection pipe.		Connect the power cord and the connection pipe.

Note:

The following steps are specific for GMV-N280L/A-D.

Removal operation of IDU motor		
Process	Photo	Operation Instruction
1 Unscrew the fixing screws in the middle panel.		Use screwdriver or other related tools
2 Take out the air inlet panel, and then take out the filter parts		Manual operation

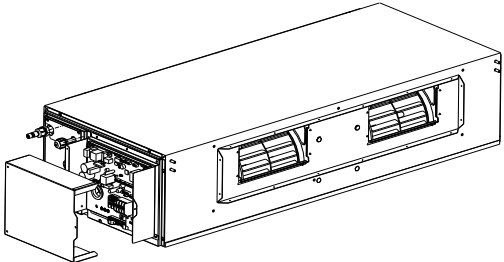
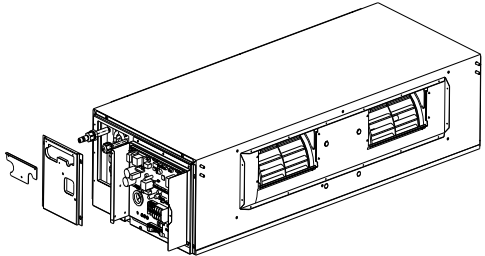
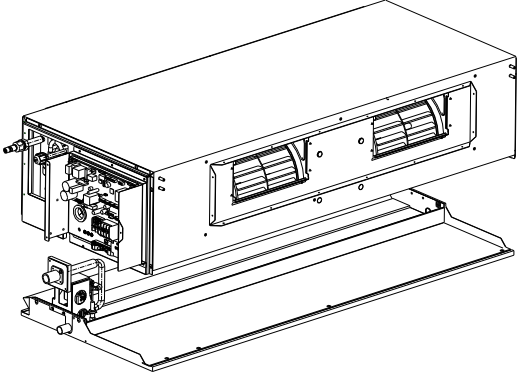
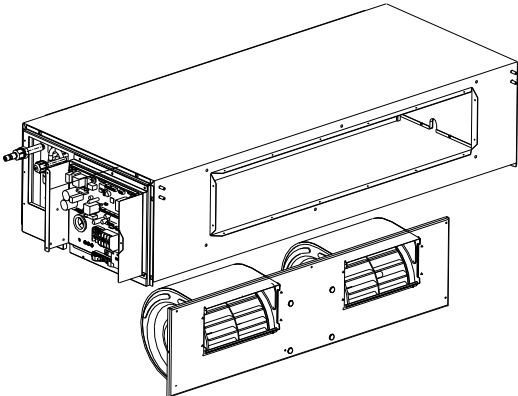
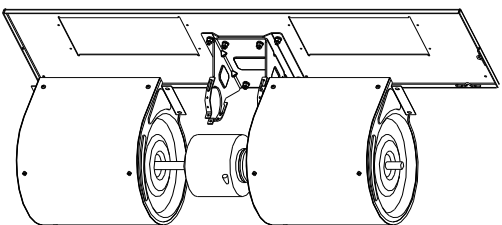
Removal operation of IDU motor		
Process	Photo	Operation Instruction
3 Remove the fixing nuts for fan motor		screwdriver or other related tools
4 Take out the fan blade		Manual operation Note: prevent sudden exertion during operation to avoid injury.
5 Remove the motor, and take out the fixing nuts, etc.		Use screwdriver or other related tools
6 Remove the press wire plate, and then take out the motor.		Note: before removing the motor, take apart the press wire plate first, otherwise the motor cannot be removed. Moreover, note to take out the motor wire from the electric box, so as to remove the motor. The process is as below.
7 Take out the fixing screws of electric box cover, and then take out the electric box cover.		Use screwdriver or other related tools
8 Take out the wire of motor		Please refer to the wire connection of circuit diagram for removing the motor.

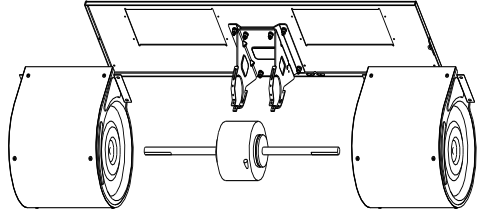
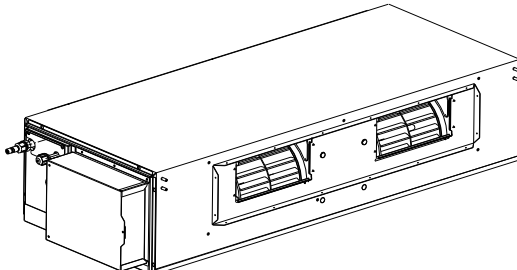
During installation, please operate reversely according to the above steps.

4.2 High Static Pressure Duct Type

Note:

The following steps are specific for GMV-ND71PHS/A-T units. For other units, the assembly and disassembly procedure is similar except the specifications of centrifugal fans and motors.

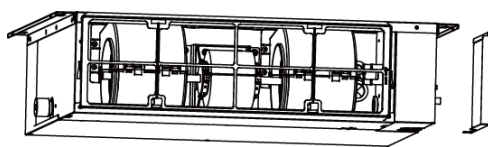
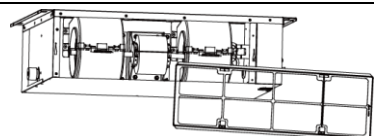
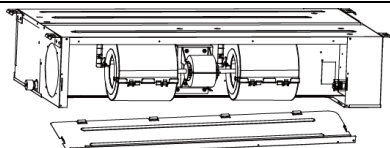
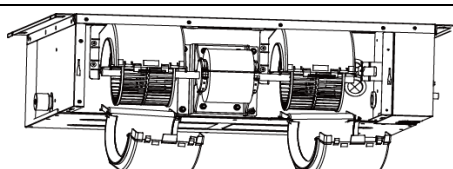
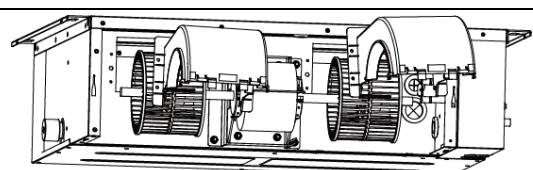
Motor and fan		
Precondition: The power supply has been disconnected.		
Step	Diagram	Operation Procedure
1. Remove the line connecting to the motor.		<ul style="list-style-type: none"> ●Use a screwdriver to unscrew the electric box cover. ●Remove from the master board the line connecting to the motor and remove the tie.
2. Disassemble the seal plate and cover plate.		<ul style="list-style-type: none"> ●Use a screwdriver to unscrew the seal plate and cover plate and then remove them.
3. Remove the cover plate component.		<ul style="list-style-type: none"> ●Use a screwdriver to unscrew the cover plate component.
4. Disassemble the centrifugal fan.		<ul style="list-style-type: none"> ●Use a screwdriver to unscrew the centrifugal fan.
5. Remove the motor and centrifugal fan.		<ul style="list-style-type: none"> ●Use a screwdriver to unscrew the centrifugal fan. ●Loosen the fasteners of the motor and remove the motor from the support. ●For motors that are accompanied with supports, the supports need removing as well.

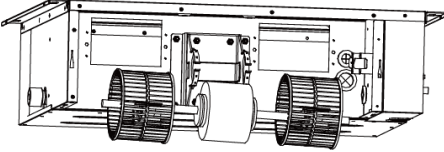
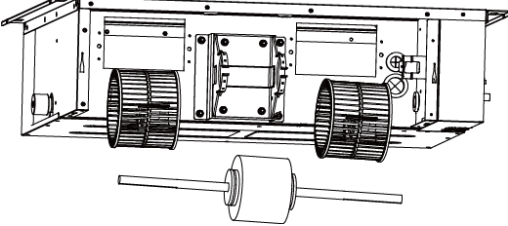
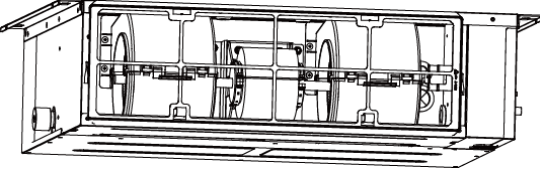
Motor and fan		
Precondition: The power supply has been disconnected.		
Step	Diagram	Operation Procedure
6. Remove the centrifugal fan.		<ul style="list-style-type: none"> ●Use a hexagon to unscrew the fan and remove the centrifugal fan from the motor axle.
7. Install a new motor.		<ul style="list-style-type: none"> ●Assemble units based on the reverse order of this procedure and power on the units for test.

4.3 Low Static Pressure Duct Type

Note:

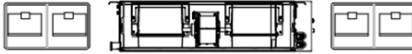
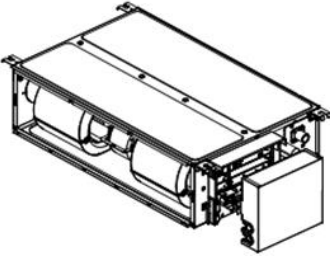
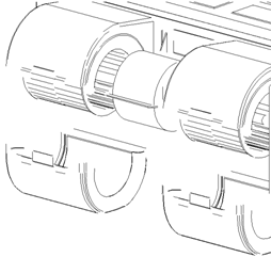
The following steps are specific for GMV-ND22PLS/A-T units. For GMV-ND22PLS/A-T~ GMV-ND140PLS/A-T units, the assembly and disassembly procedure is similar except the numbers of centrifugal fans and motors.

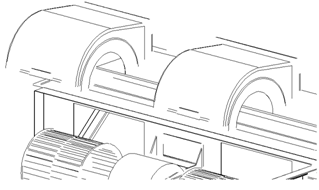
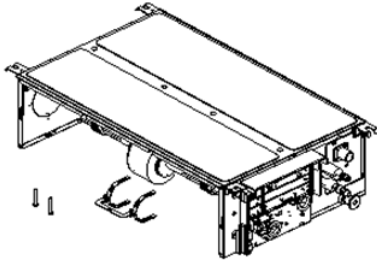
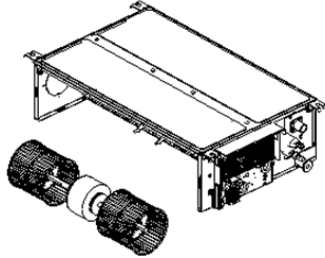
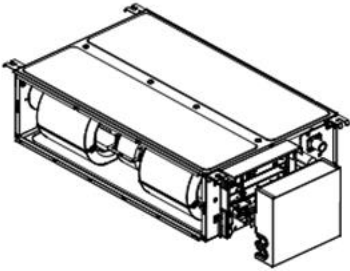
Motor and fan		
Precondition: The power supply has been disconnected.		
Step	Diagram	Operation Procedure
1. Remove the line connecting to the motor.		<ul style="list-style-type: none"> ●Use a screwdriver to unscrew the electric box cover. ●Remove from the master board the line connecting to the motor and remove the tie.
2. Remove the filter.		<ul style="list-style-type: none"> ●Remove the filter from the air return frame.
3. Remove the air return cover plate.		<ul style="list-style-type: none"> ●Use a screwdriver to unscrew the air return cover plate.
4. Remove the rear volute casing.		<ul style="list-style-type: none"> ●Loosen the fasteners that connect the rear volute casing with the front volute casing and remove the rear volute casing.
5. Remove the front volute casing.		<ul style="list-style-type: none"> ●Use a screwdriver to unscrew the front volute casing and then remove the volute casing.

Motor and fan		
Precondition: The power supply has been disconnected.		
Step	Diagram	Operation Procedure
6. Loosen the centrifugal fan and motor.		<ul style="list-style-type: none"> ●Use a hexagon to unscrew the centrifugal fan and loosen the fasteners of the motor.
7. Remove the motor.		<ul style="list-style-type: none"> ●Remove the motor from the support and remove the centrifugal fan from the motor axle. Then, remove the motor. ●For motors that are accompanied with supports, the supports need removing as well.
8. Install a new motor.		<ul style="list-style-type: none"> ●Assemble units based on the reverse order of this procedure and power on the units for test.

Note:

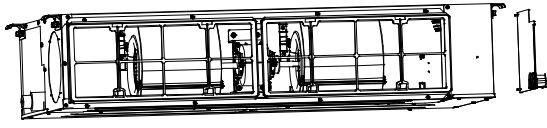
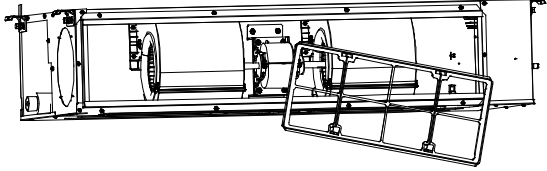
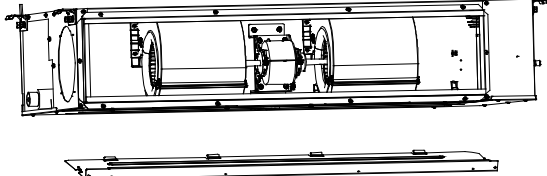
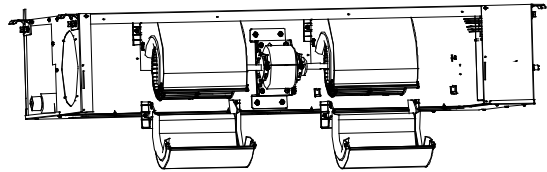
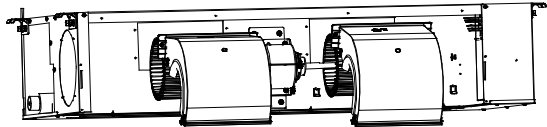
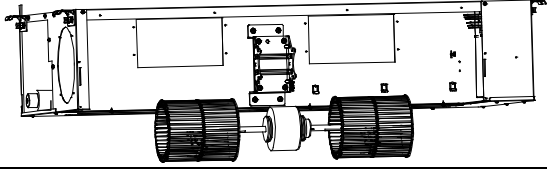
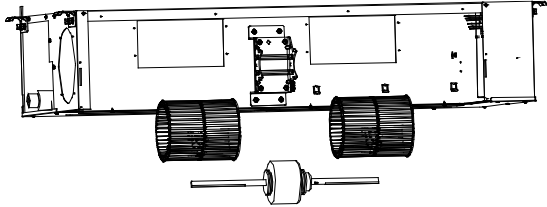
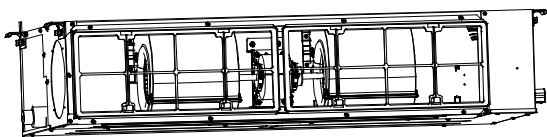
The following steps are specific for GMV-ND22PLS/C-T units. For GMV-ND18PLS/C-T~ GMV-ND71PLS/C-T and GMV-ND18PLS/C1-T~GMV-ND80PLS/C1-T units, the assembly and disassembly procedure is similar except the numbers of louvers and motors.

Motor and fan		
Precondition: The power supply has been disconnected.		
Step	Diagram	Operation Procedure
1.Remove the air return filter.		<ul style="list-style-type: none"> ●Draw the air return filter to both sides respectively at the return air inlet.
2. Remove the cover plate of the electric box.		<ul style="list-style-type: none"> ●Disconnect the power supply of the IDUs, use a screwdriver to unscrew the cover plate of the electric box, and then remove the line connecting to the motor.
3. Remove the rear volute casing.		<ul style="list-style-type: none"> ●Loosen the fasteners that connect the rear volute casing with the front volute casing and remove the rear volute casing.

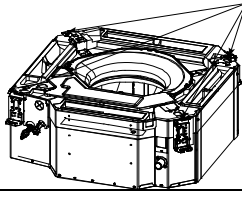
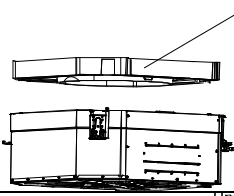
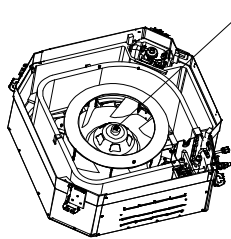
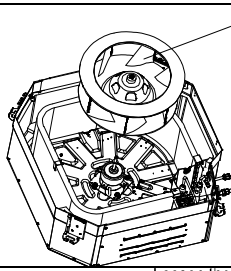
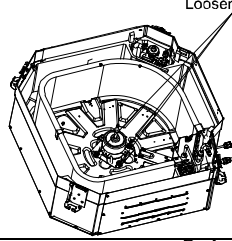
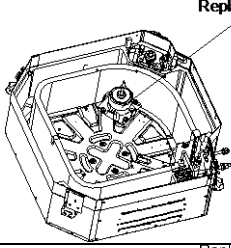
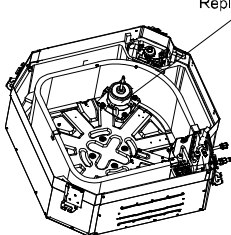
Motor and fan		
Precondition: The power supply has been disconnected.		
Step	Diagram	Operation Procedure
4. Remove the front volute casing.		<ul style="list-style-type: none"> ●Use a screwdriver to unscrew the front volute casing and then remove the volute casing.
5. Remove the louver and motor.		<ul style="list-style-type: none"> ●Use a screwdriver to unscrew the louver and loosen the fasteners of the motor.
6. Install a new motor.		<ul style="list-style-type: none"> ●Remove the motor from the support and remove the louver from the motor. Then, remove the motor. ●Install a new motor.
7. Install units in a reverse order of this procedure.		<ul style="list-style-type: none"> ●Assemble units based on the reverse order of this procedure and power on the units for test.

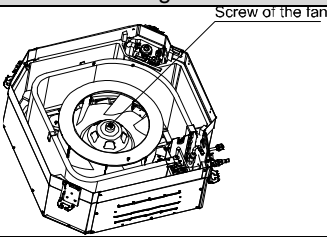
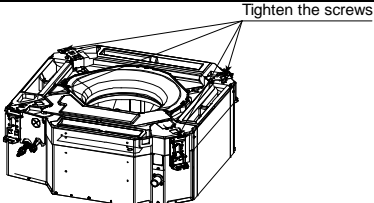
Note:

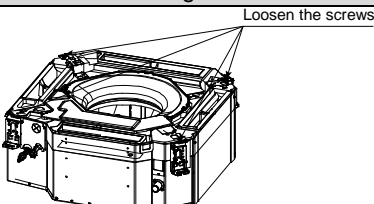
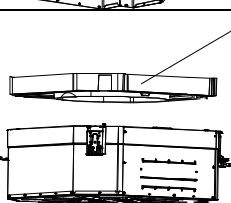
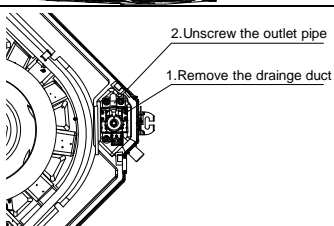
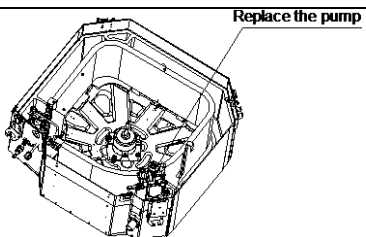
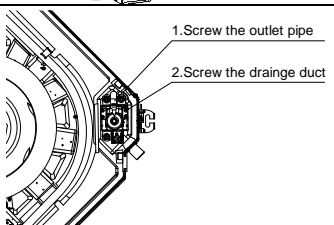
The following steps are specific for GMV-ND80PLS/C-T units. For GMV-ND80PLS/C-T~ GMV-ND140PLS/C-T units, the assembly and disassembly procedure is similar except the numbers of centrifugal fans and motors.

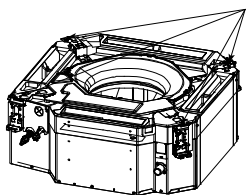
Motor and fan		
Precondition: The power supply has been disconnected.		
Step	Diagram	Operation Procedure
1. Remove the line connecting to the motor.		<ul style="list-style-type: none"> ●Use a screwdriver to unscrew the electric box cover. ●Remove from the master board the line connecting to the motor and remove the tie.
2. Remove the filter.		<ul style="list-style-type: none"> ●Remove the filter from the air return frame.
3. Remove the air return cover plate.		<ul style="list-style-type: none"> ●Use a screwdriver to unscrew the air return cover plate.
4. Remove the rear volute casing.		<ul style="list-style-type: none"> ●Loosen the fasteners that connect the rear volute casing with the front volute casing and remove the rear volute casing.
5. Remove the front volute casing.		<ul style="list-style-type: none"> ●Use a screwdriver to unscrew the front volute casing and then remove the volute casing.
6. Loosen the centrifugal fan and motor.		<ul style="list-style-type: none"> ●Use a hexagon to unscrew the centrifugal fan and loosen the fasteners of the motor.
7. Remove the motor.		<ul style="list-style-type: none"> ●Remove the motor from the support and remove the centrifugal fan from the motor axle. Then, remove the motor. ●For motors that are accompanied with supports, the supports need removing as well.
8. Install a new motor.		<ul style="list-style-type: none"> ●Assemble units based on the reverse order of this procedure and power on the units for test.

4.4 4-way Cassette Type

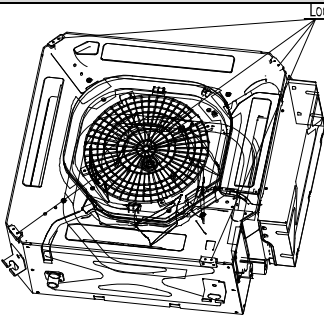
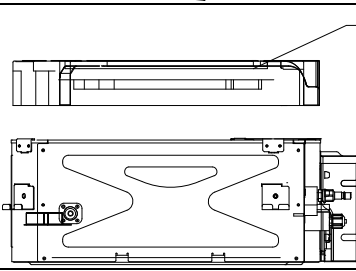
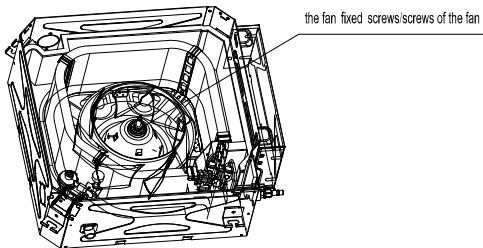
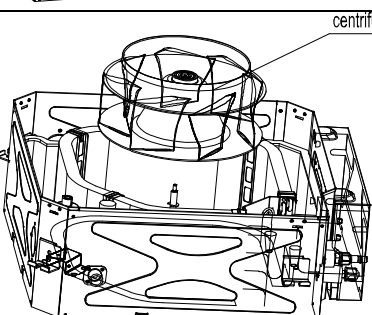
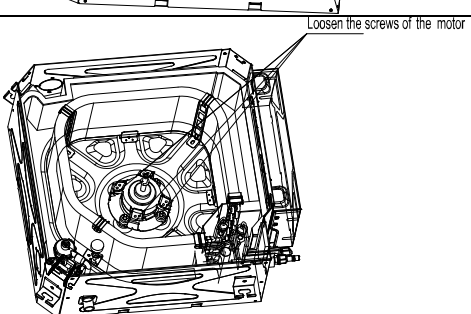
Motor and fan		
Step	Diagram	Operation Procedure
1. Unscrew the water tray.	 <p>Loosen the screws</p>	<ul style="list-style-type: none"> ● Use a screwdriver to unscrew the water tray.
2. Remove the water tray.	 <p>Water tray</p>	<ul style="list-style-type: none"> ● Remove the water tray.
3. Unscrew the centrifugal fan.	 <p>Unscrew of the fan</p>	<ul style="list-style-type: none"> ● Use a wrench to unscrew the centrifugal fan.
4. Remove the centrifugal fan.	 <p>Centrifugal fan</p>	<ul style="list-style-type: none"> ● Remove the centrifugal fan.
5. Unscrew the motor.	 <p>Loosen the screws of the motor</p>	<ul style="list-style-type: none"> ● Use a screwdriver to unscrew the motor.
6. Replace the motor with a new one.	 <p>Replace the motor with a new one</p>	<ul style="list-style-type: none"> ● Replace the motor with a new one.
7. Screw the motor.	 <p>Replace the motor with a new one</p>	<ul style="list-style-type: none"> ● Use a screwdriver to screw the motor.

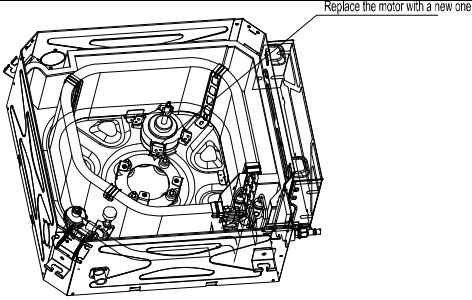
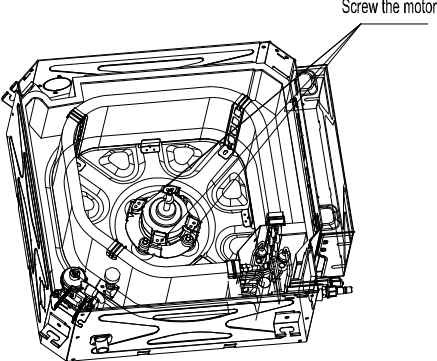
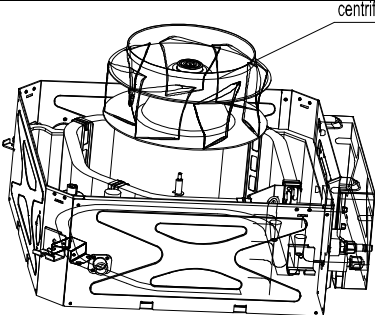
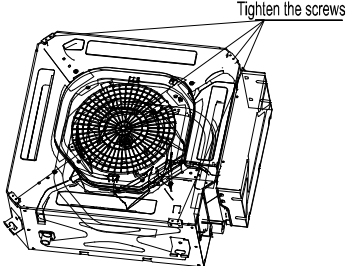
Motor and fan		
Step	Diagram	Operation Procedure
8. Install and screw the centrifugal fan.		<ul style="list-style-type: none"> ● Install the centrifugal fan and use a wrench to screw the centrifugal fan.
9. Install and screw the water tray.		<ul style="list-style-type: none"> ● Use a screwdriver to screw the water tray

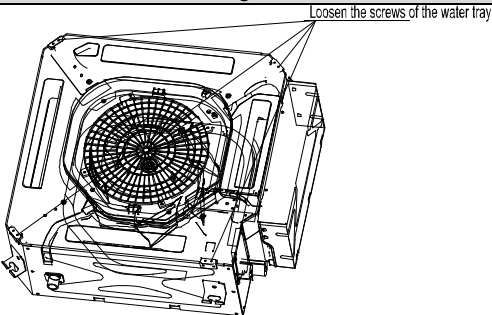
Pump		
Step	Diagram	Operation Procedure
1. Unscrew the water tray.		<ul style="list-style-type: none"> ● Use a screwdriver to unscrew the water tray.
2. Remove the water tray.		<ul style="list-style-type: none"> ● Replace the water tray.
3. Remove the drainage duct and unscrew the pump.		<ul style="list-style-type: none"> ● Remove the drainage duct and use a screwdriver to unscrew the pump.
4. Replace the pump.		<ul style="list-style-type: none"> ● Replace the pump.
5. Connect the drainage duct and screw the new pump.		<ul style="list-style-type: none"> ● Connect the drainage duct and use a screwdriver to screw the new pump.

Pump		
Step	Diagram	Operation Procedure
6. Install and screw the water tray.		<ul style="list-style-type: none"> ●Use a screwdriver to screw the water tray.

4.5 Compact 4-way Cassette Type

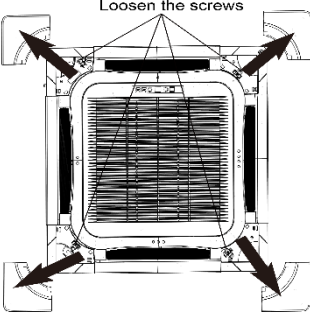
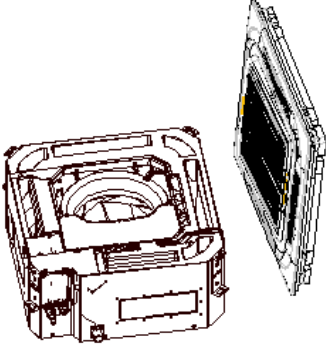
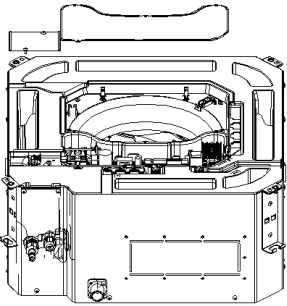
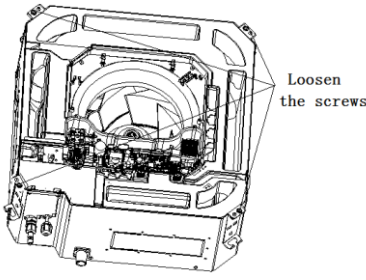
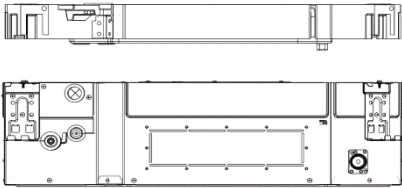
Motor and fan		
Step	Diagram	Operation Procedure
1. Unscrew the water tray.		<ul style="list-style-type: none"> ●Use a screwdriver to unscrew the water tray.
2. Remove the water tray.		<ul style="list-style-type: none"> ●Remove the water tray.
3. Unscrew the centrifugal fan.		<ul style="list-style-type: none"> ●Use a wrench to unscrew the centrifugal fan.
4. Remove the centrifugal fan.		<ul style="list-style-type: none"> ●Remove the centrifugal fan.
5. Unscrew the motor.		<ul style="list-style-type: none"> ●Use a screwdriver to unscrew the motor.

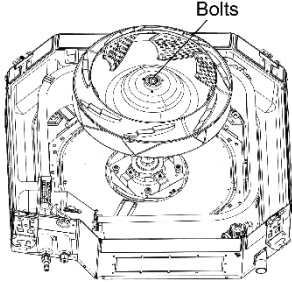
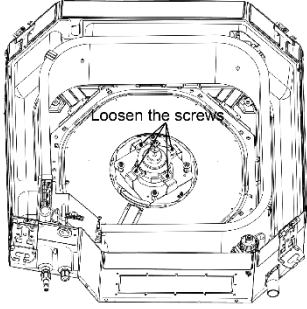
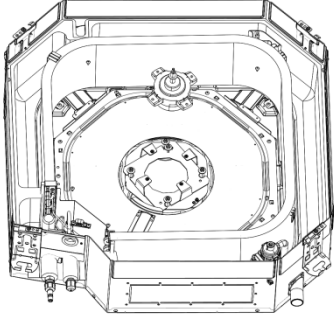
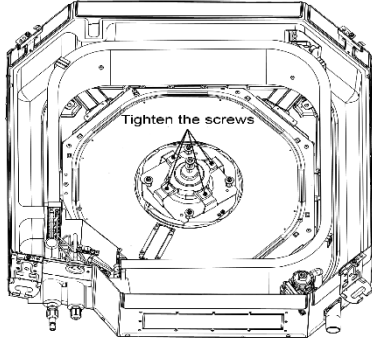
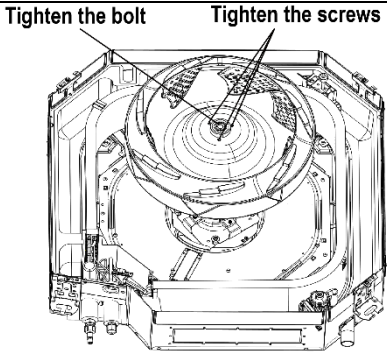
Motor and fan		
Step	Diagram	Operation Procedure
6. Replace the motor with a new one.		<ul style="list-style-type: none"> ● Replace the motor with a new one.
7. Screw the motor.		<ul style="list-style-type: none"> ● Use a screwdriver to screw the motor.
8. Install and screw the centrifugal fan.		<ul style="list-style-type: none"> ● Install the centrifugal fan and use a wrench to screw the centrifugal fan.
9. Install and screw the water tray.		<ul style="list-style-type: none"> ● Use a screwdriver to screw the water tray

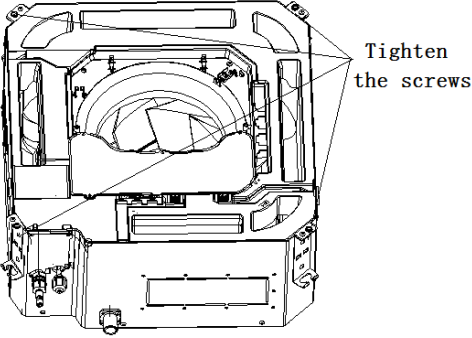
Pump		
Step	Diagram	Operation Procedure
1. Unscrew the water tray.		<ul style="list-style-type: none"> ● Use a screwdriver to unscrew the water tray.

Motor and fan		
Step	Diagram	Operation Procedure
2. Remove the water tray.	<p>water tray</p>	<ul style="list-style-type: none"> ● Replace the water tray.
3. Remove the drainage duct and unscrew the pump.	<p>1.Remove the drainage duct 2.Use a screwdriver to unscrew the pump</p>	<ul style="list-style-type: none"> ● Remove the drainage duct and use a screwdriver to unscrew the pump.
4. Replace the pump.	<p>Replace the pump</p>	<ul style="list-style-type: none"> ● Replace the pump.
5. Connect the drainage duct and screw the new pump.	<p>2.Connect the drainage duct 1.screw the pump</p>	<ul style="list-style-type: none"> ● Connect the drainage duct and use a screwdriver to screw the new pump.
6. Install and screw the water tray.	<p>Tighten the screws</p>	<ul style="list-style-type: none"> ● Use a screwdriver to screw the water tray.

4.6 360° Air Discharge Compact Cassette Type

Motor and fan		
Step	Diagram	Operation Procedure
1. Remove the front panel.	 <p>Loosen the screws</p>	<ul style="list-style-type: none"> ● Turn off the power supply of indoor unit. ● Push the 4 corner plates in the directions shown by the arrows. ● Loosen the screws and remove the front panel.
		
2. Remove the cover of electric box and the clamp of power cord.		<ul style="list-style-type: none"> ● Remove the motor wire and water pump of the electric box.
3. Remove the water tray.	 <p>Loosen the screws</p>	<ul style="list-style-type: none"> ● Loosen the screws in the 4 corners and then remove the water tray.
		

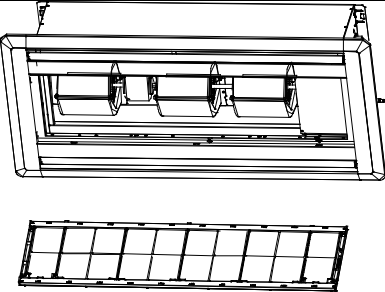
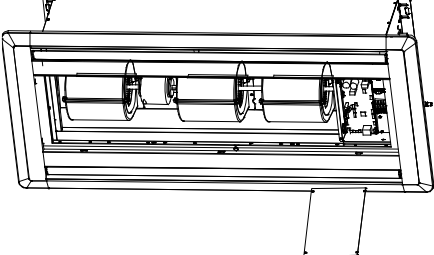
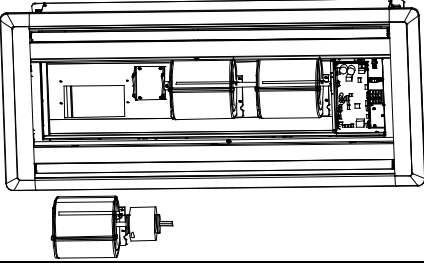
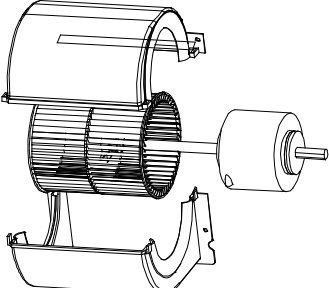
Motor and fan		
Step	Diagram	Operation Procedure
4. Remove the fan.		<ul style="list-style-type: none"> ●Use a screwdriver to remove the clamping band of motor. Then remove the fan.
5. Remove motor.		<ul style="list-style-type: none"> ●Use a screwdriver to unscrew the 4 screws of motor. Then remove the motor.
		
6. Replace and install the motor.		<ul style="list-style-type: none"> ●Remove the motor from motor support and then replace with a new motor. ●Tighten the 4 screws of motor with a screwdriver.
7. Install the fan.		<ul style="list-style-type: none"> ●Direct the hole of fan to the motor shaft and then mount on the fan. ●Tighten the clamping band of motor with a wrench.

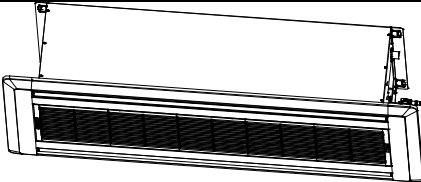
Motor and fan		
Step	Diagram	Operation Procedure
8. Install the water tray.		<ul style="list-style-type: none"> ●Direct the 4 corners of water tray to the 4 corners of the unit and then press them. Use a screwdriver to tighten the screws in the 4 corners. ●Connect the power cord and water pump wire. ●Place back the cover of electric box and the clamp of power cord. Then tighten the screws with a screwdriver.

4.7 2-way Cassette Type

Note:

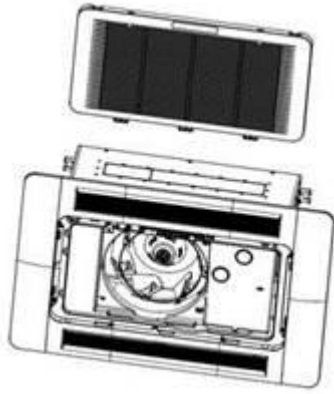
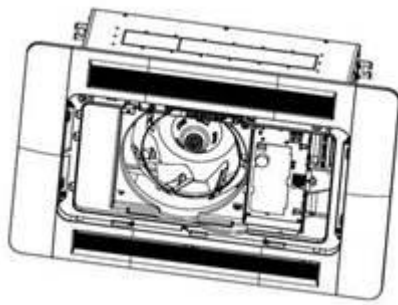
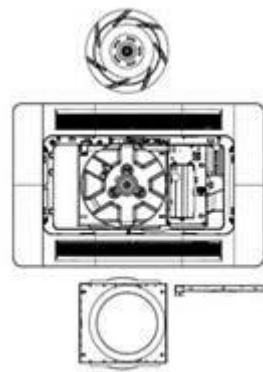
The following steps are specific for GMV-ND50TS/A-T units. For other units, the assembly and disassembly procedure is similar except the numbers of centrifugal fans and motors.

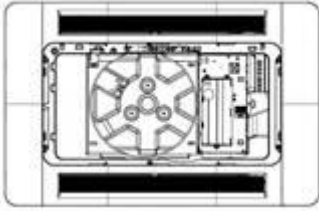
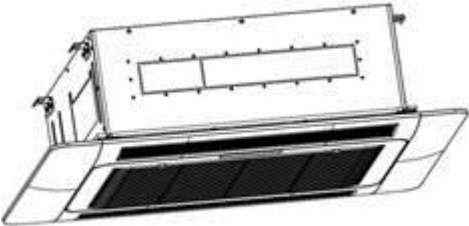
Removal of Fan Motor		
Precondition: The power supply has been disconnected.		
Step	Diagram	Operation Procedure
1. Remove the grille		<ul style="list-style-type: none"> ●Slip the fasteners on the panel, open the grille, remove it
2. Remove the line connecting to the motor.		<ul style="list-style-type: none"> ●Use a screwdriver to unscrew the electric box cover. ●Remove from the master board the line connecting to the motor and remove the tie.
3. Remove the motor, Remove the motor from the support		<ul style="list-style-type: none"> ●Use a screwdriver to unscrew the motor, volute casing subassembly and joint slack. ●Loosen the fasteners of the motor, remove the motor from the support ●Remove the volute casing subassembly as well
4. Remove the centrifugal fan		<ul style="list-style-type: none"> ●Remove the volute casing ●Use a hexagon to unscrew the centrifugal fan, remove it from motor axle

Removal of Fan Motor		
Precondition: The power supply has been disconnected.		
Step	Diagram	Operation Procedure
5. Replace the motor with a new one.		<ul style="list-style-type: none"> ● Assemble units based on the reverse order of this procedure and power on the units for test.

Note:

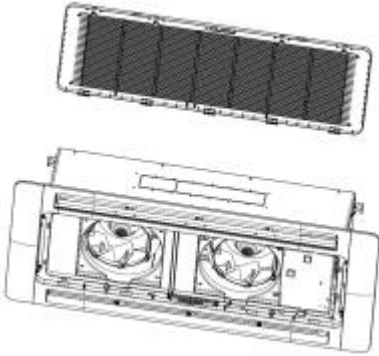
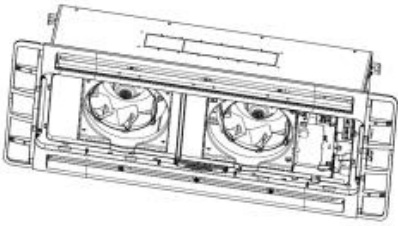
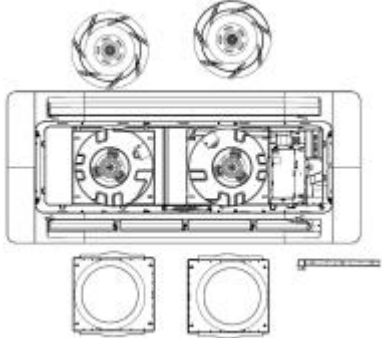
The following steps are specific for GMV-ND80TS/B-T units. For other units, the assembly and disassembly procedure is similar except the numbers of centrifugal fans and motors.

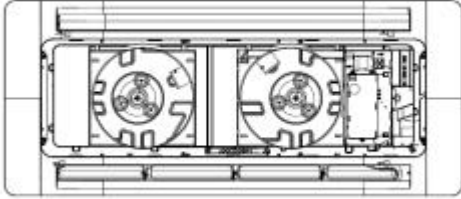
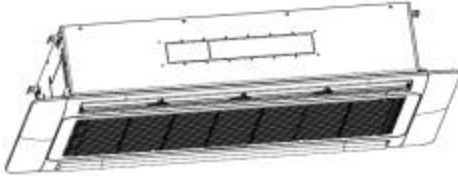
Removal of Fan Motor		
Precondition: The power supply has been disconnected.		
Step	Diagram	Operation Procedure
1. Remove the grille		<ul style="list-style-type: none"> ● Slide the buckle in the middle of the panel to open the panel grille
2. Remove the line connecting to the motor.		<ul style="list-style-type: none"> ● Use a screwdriver to unscrew the fixing screws of the electric box cover. ● Find the motor wire, unplug from the main board, and remove the fasteners.
3. Remove the fan and guide ring		<ul style="list-style-type: none"> ● Loosen the fixed guide ring and screw with a screwdriver ● Remove the guide ring and the wire board ● Unscrew the nut fixing the fan with a wrench, then remove the fan

Removal of Fan Motor		
Precondition: The power supply has been disconnected.		
Step	Diagram	Operation Procedure
4. Remove motor.		<ul style="list-style-type: none"> • The wrench loosens the fixing motor nut • Cut off the fasteners that fixed the motor wire • Remove the motor
5. Replace with a new motor		<ul style="list-style-type: none"> • Assemble units based on the reverse order of this procedure and power on the units for test.

Note:

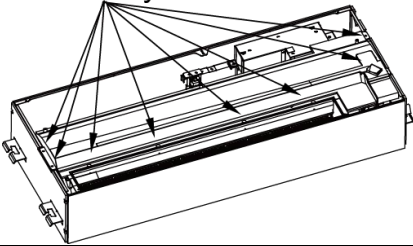
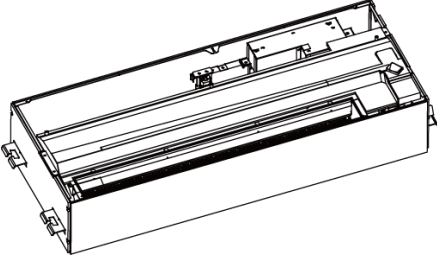
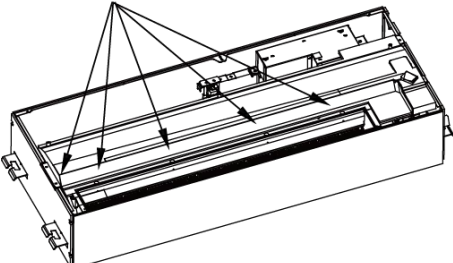
The following steps are specific for GMV-ND160TS/B-T units. For other units, the assembly and disassembly procedure is similar except the numbers of centrifugal fans and motors.

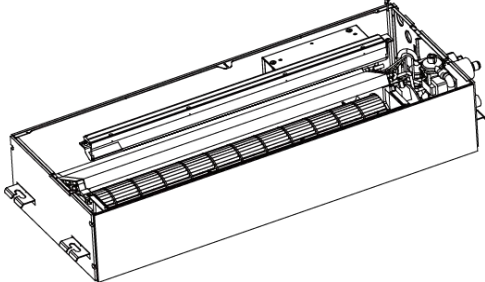
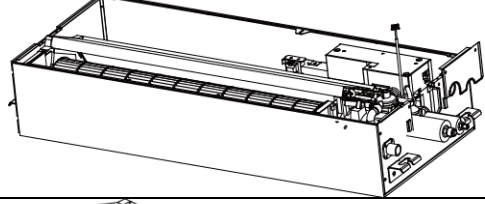
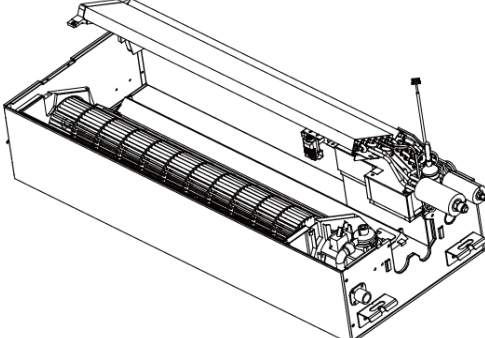
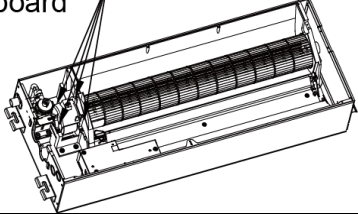
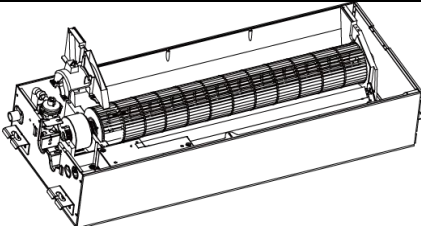
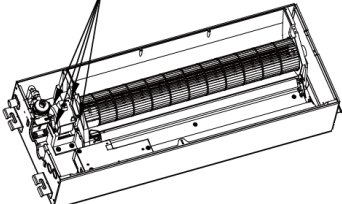
Removal of Fan Motor		
Precondition: The power supply has been disconnected.		
Step	Diagram	Operation Procedure
1. Remove the grille		<ul style="list-style-type: none"> • Slide the buckle in the middle of the panel to open the panel grille
2. Remove the line connecting to the motor.		<ul style="list-style-type: none"> • Use a screwdriver to unscrew the fixing screws of the electric box cover. • Find the motor wire, unplug from the main board, and remove the fasteners.
3. Remove the fan and guide ring		<ul style="list-style-type: none"> • Loosen the fixed guide ring and screw with a screwdriver • Remove the guide ring and the wire board • Unscrew the nut fixing the fan with a wrench, then remove the fan

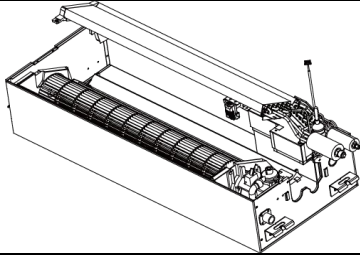
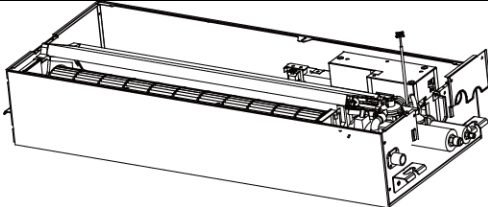
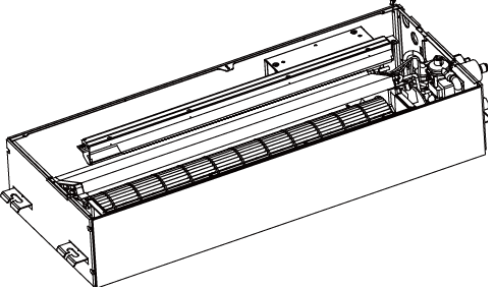
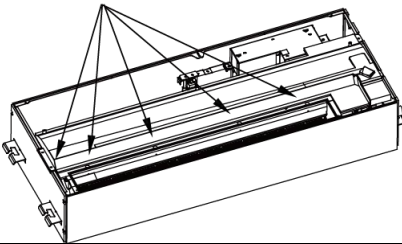
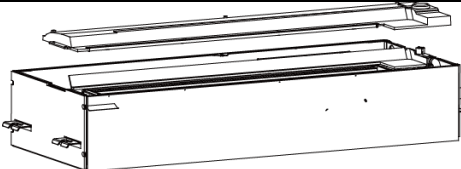
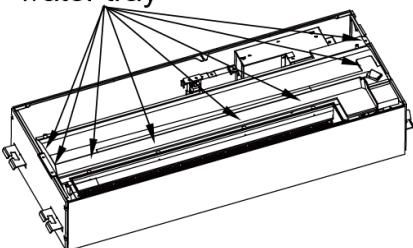
Removal of Fan Motor		
Precondition: The power supply has been disconnected.		
Step	Diagram	Operation Procedure
4. Remove motor.		<ul style="list-style-type: none"> • The wrench loosens the fixing motor nut • Cut off the fasteners that fixed the motor wire • Remove the motor
5. Replace with a new motor		<ul style="list-style-type: none"> • Assemble units based on the reverse order of this procedure and power on the units for test.

4.8 1-way Cassette Type

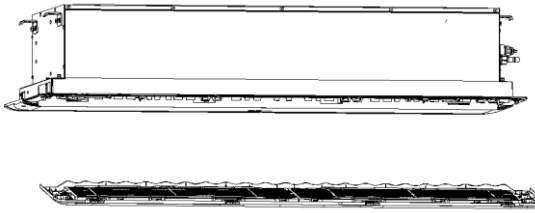
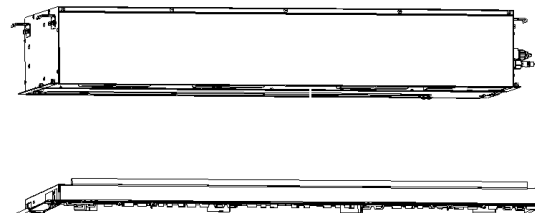
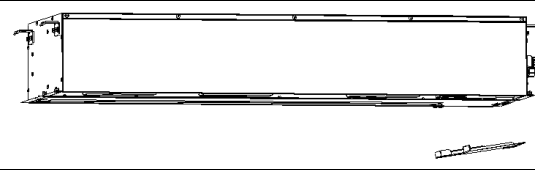
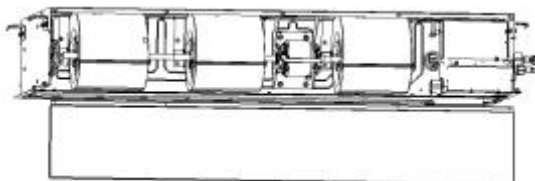
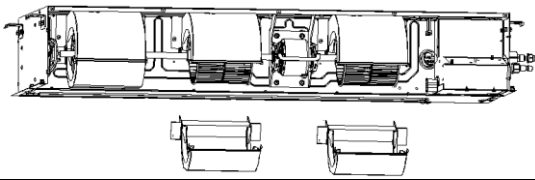
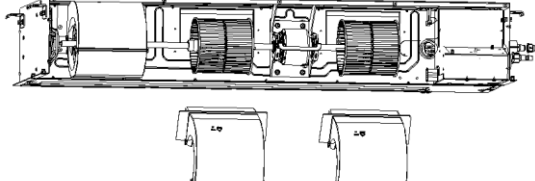
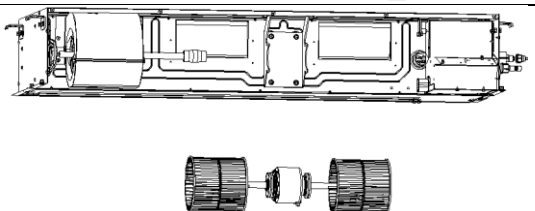
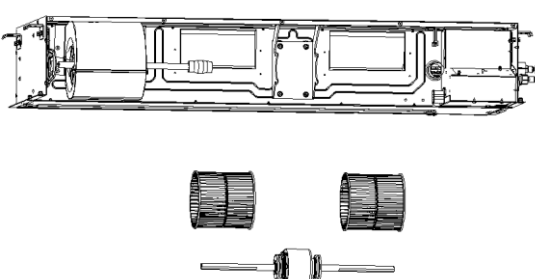
GMV-ND**TD/A-T:


Motor and fan		
Step	Diagram	Operation Procedure
1. Unscrew the water tray.	<p>Unscrew the water tray</p> 	<ul style="list-style-type: none"> • Use a screwdriver to unscrew the water tray.
2. Remove the water tray.		<ul style="list-style-type: none"> • Remove the water tray.
3. Unscrew the volute tongue.	<p>Unscrew the volute</p> 	<ul style="list-style-type: none"> • Use a screwdriver to unscrew the volute tongue.

Motor and fan		
Step	Diagram	Operation Procedure
4. Remove the volute tongue.		<ul style="list-style-type: none"> ●Remove the volute tongue.
5. Unscrew the outlet board.		<ul style="list-style-type: none"> ●Use a screwdriver to unscrew the outlet board and then remove the board.
6. Remove the evaporator.		<ul style="list-style-type: none"> ●Remove the evaporator.
7. Unscrew the motor pressing board.	<p>Unscrew the motor pressing board</p> 	<ul style="list-style-type: none"> ●Use a screwdriver to unscrew the motor pressing board.
8. Remove the pressing board and replace the motor.		<ul style="list-style-type: none"> ●Remove the pressing board and replace the motor.
9. Screw the motor pressing board.	<p>Screw the motor pressing board</p> 	<ul style="list-style-type: none"> ●Use a screwdriver to screw the motor pressing board.

Motor and fan		
Step	Diagram	Operation Procedure
10. Install the evaporator.		●Install the evaporator.
11. Screw the outlet board.		●Use a screwdriver to screw the outlet board.
12. Put the volute tongue back to position.		●Put the volute tongue back to position.
13. Screw the volute tongue.	<p>Screw the volute</p> 	●Use a screwdriver to screw the volute tongue.
14. Install the water tray.		●Install the water tray.
15. Screw the water tray.	<p>Screw the water tray</p> 	●Use a screwdriver to screw the water tray.

GMV-ND**TD/B-T:

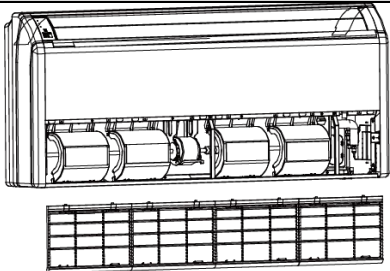
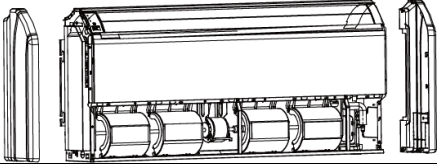
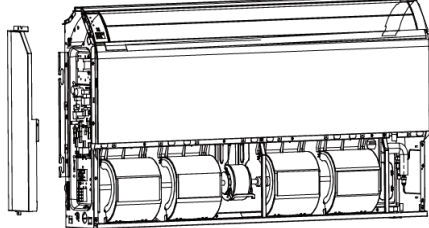
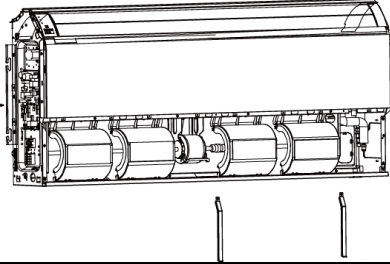
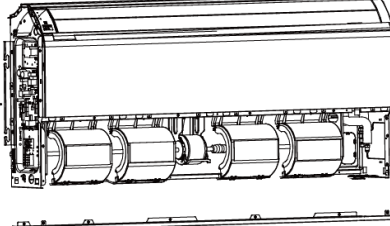
Motor and fan		
Precondition: The power supply has been disconnected.		
Step	Diagram	Operation Procedure
1. Remove the air return grille.		<ul style="list-style-type: none"> ● Press out all the grille tabs and then remove the grille.
2. Remove the panel		<ul style="list-style-type: none"> ● Use a screwdriver to unscrew the panel and then remove the panel.
3. Remove the electric box cover and the line connecting to the motor.		<ul style="list-style-type: none"> ● Use a screwdriver to unscrew the electric box cover. ● Remove from the motherboard the line connecting to the motor and remove the tie.
4. Remove the cover plate.		<ul style="list-style-type: none"> ● Use a screwdriver to unscrew the cover plate and then remove the cover plate.
5. Remove the volute casing(lower).		<ul style="list-style-type: none"> ● Use a screwdriver to unscrew the volute casing(lower) and then remove it.
6. Remove the volute casing(upper).		<ul style="list-style-type: none"> ● Use a screwdriver to unscrew the volute casing(upper) and then remove it.
7. Remove the centrifugal fan		<ul style="list-style-type: none"> ● Loosen the fasteners that connect the coupler with the motor axle and remove the centrifugal fan.the volute casing.
8. Remove the motor.		<ul style="list-style-type: none"> ● Remove the motor from the support and remove the centrifugal fan from the motor axle. Then, remove the motor. ● For motors that are accompanied with supports, the supports need removing as well.

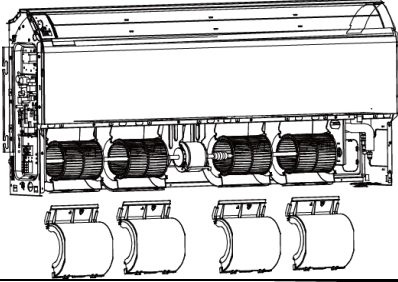
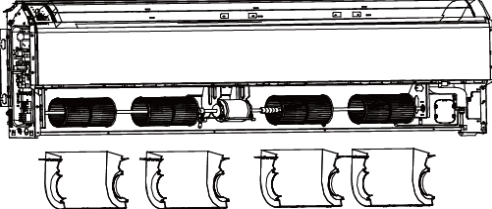
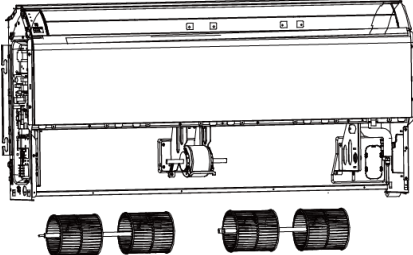
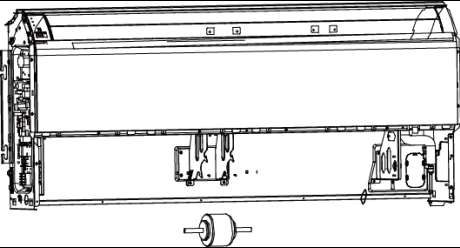
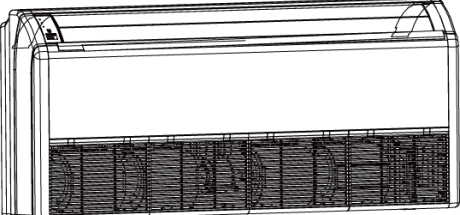
Motor and fan		
Precondition: The power supply has been disconnected.		
Step	Diagram	Operation Procedure
9. Install a new motor.		<ul style="list-style-type: none"> ● Assemble units based on the reverse order of this procedure and power on the units for test.

4.9 Floor Ceiling Type

4.9.1 GMV-ND**ZD/A-T

The following steps are specific for GMV-ND140ZD/A-T units. For other units, the assembly and disassembly procedure is similar except the numbers of centrifugal fans and motors.

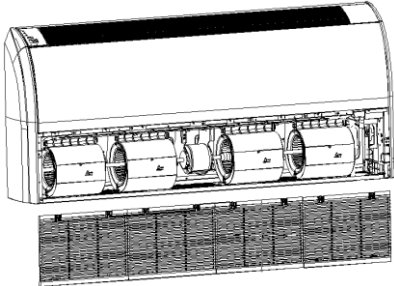
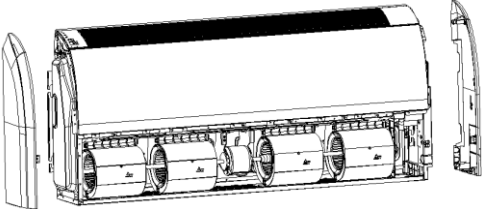
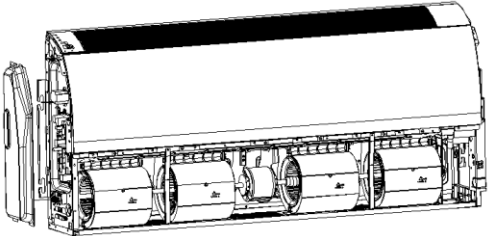
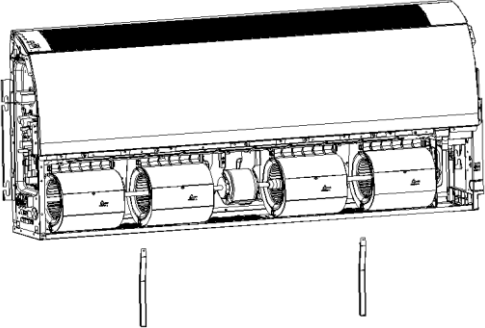
Motor and fan		
Precondition: The power supply has been disconnected.		
Step	Diagram	Operation Procedure
1. Remove the air return grille.		<ul style="list-style-type: none"> ● Loosen the fasteners of the air return grille and then remove the grille.
2. Remove the left and right cover plates.		<ul style="list-style-type: none"> ● Use a screwdriver to unscrew the left and right cover plates and then remove the cover plates.
3. Remove the electric box cover and the line connecting to the motor.		<ul style="list-style-type: none"> ● Use a screwdriver to unscrew the electric box cover. ● Remove from the master board the line connecting to the motor and remove the tie.
4. Remove the limit board.		<ul style="list-style-type: none"> ● Use a screwdriver to unscrew the limit board and then remove the board.
5. Remove the rear connecting board.		<ul style="list-style-type: none"> ● Use a screwdriver to unscrew the rear connecting board and then remove the board.

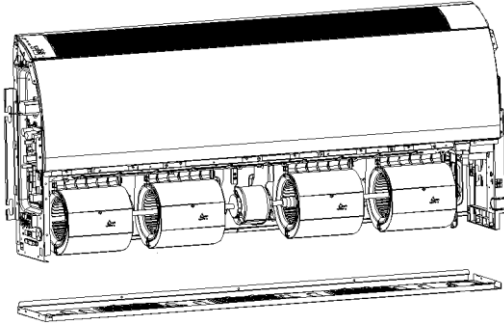
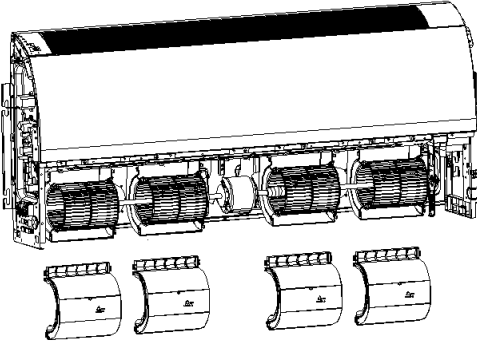
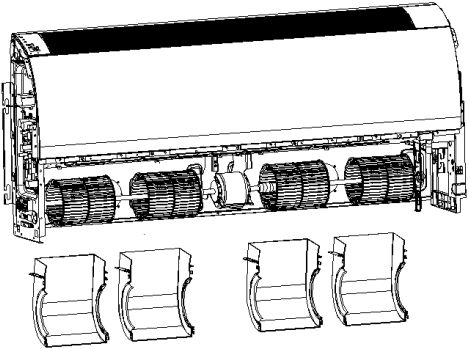
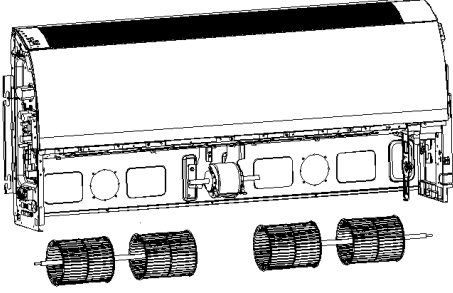
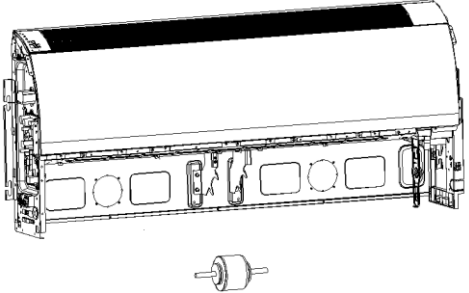
Motor and fan		
Precondition: The power supply has been disconnected.		
Step	Diagram	Operation Procedure
6. Remove the rear volute casing.		<ul style="list-style-type: none"> Loosen the fasteners that connect the rear volute casing with the front volute casing and remove the rear volute casing.
7. Remove the front volute casing.		<ul style="list-style-type: none"> Use a screwdriver to unscrew the front volute casing and then remove the volute casing.
8. Remove the centrifugal fan.		<ul style="list-style-type: none"> Loosen the fasteners that connect the coupler with the motor axle and remove the centrifugal fan.
9. Remove the motor.		<ul style="list-style-type: none"> Remove the motor from the support and remove the centrifugal fan from the motor axle. Then, remove the motor. For motors that are accompanied with supports, the supports need removing as well.
10. Install a new motor.		<ul style="list-style-type: none"> Assemble units based on the reverse order of this procedure and power on the units for test.

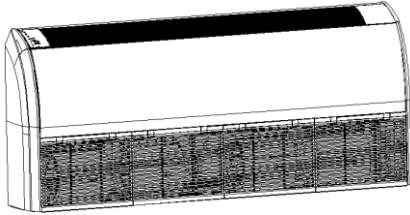
4.9.2 GMV-ND**ZD/B-T

Note:

The following steps are specific for GMV-ND140ZD/B-T units. For other units, the assembly and disassembly procedure is similar except the numbers of centrifugal fans and motors.

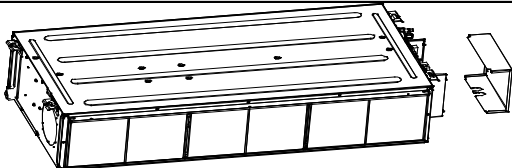
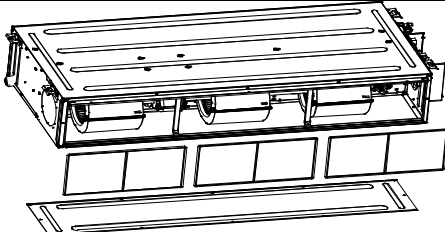
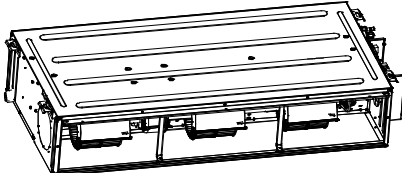
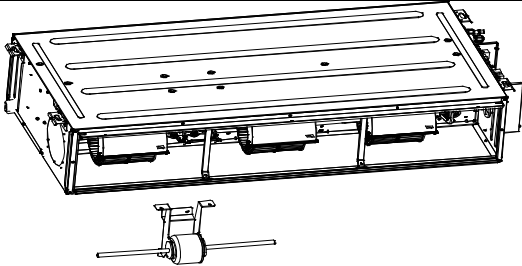
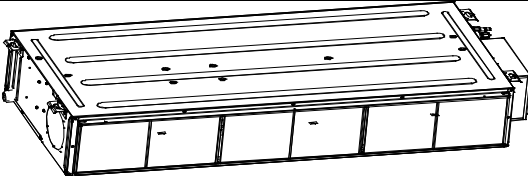
Motor and fan		
Precondition: The power supply has been disconnected.		
Step	Diagram	Operation Procedure
1. Remove the air return grille.		<ul style="list-style-type: none"> Loosen the fasteners of the air return grille and then remove the grille.
2. Remove the left and right cover plates.		<ul style="list-style-type: none"> Use a screwdriver to unscrew the left and right cover plates and then remove the cover plates.
3. Remove the electric box cover and the line connecting to the motor.		<ul style="list-style-type: none"> Use a screwdriver to unscrew the electric box cover. Remove from the master board the line connecting to the motor and remove the tie.
4. Remove the limit board.		<ul style="list-style-type: none"> Use a screwdriver to unscrew the limit board and then remove the board.

Motor and fan		
Precondition: The power supply has been disconnected.		
Step	Diagram	Operation Procedure
5. Remove the rear connecting board.		<ul style="list-style-type: none"> ●Use a screwdriver to unscrew the rear connecting board and then remove the board.
6. Remove the rear volute casing.		<ul style="list-style-type: none"> ●Loosen the fasteners that connect the rear volute casing with the front volute casing and remove the rear volute casing.
7. Remove the front volute casing.		<ul style="list-style-type: none"> ●Use a screwdriver to unscrew the front volute casing and then remove the volute casing.
8. Remove the centrifugal fan.		<ul style="list-style-type: none"> ●Loosen the fasteners that connect the coupler with the motor axle and remove the centrifugal fan.
9. Remove the motor.		<ul style="list-style-type: none"> ●Remove the motor from the support and remove the centrifugal fan from the motor axle. Then, remove the motor. ●For motors that are accompanied with supports, the supports need removing as well.

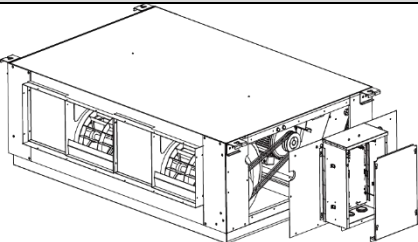
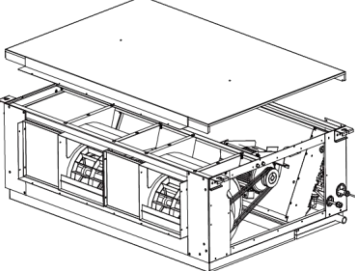
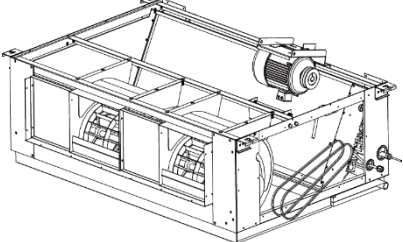
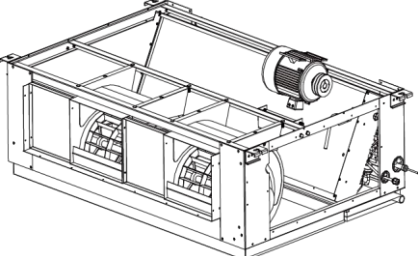
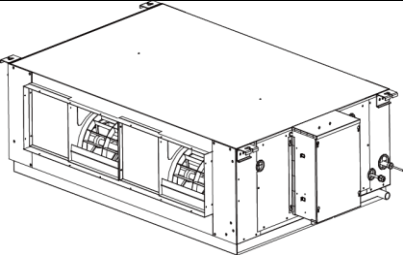
Motor and fan		
Precondition: The power supply has been disconnected.		
Step	Diagram	Operation Procedure
10. Install a new motor.		<ul style="list-style-type: none"> ●Assemble units based on the reverse order of this procedure and power on the units for test.

4.10 Fresh air Processing Unit

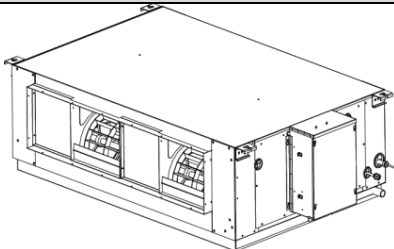
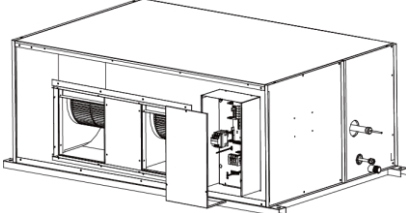
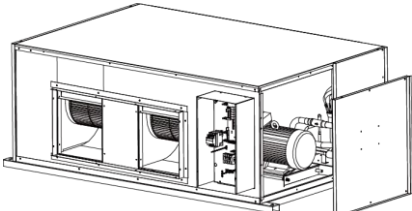
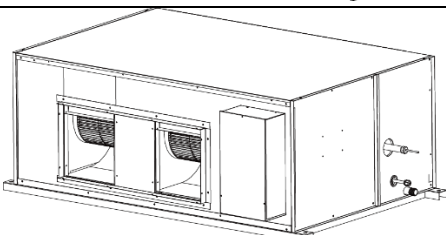
GMV-NX140P/A (X1.2)-K:

Motor and fan		
Precondition: The power supply has been disconnected.		
Step	Diagram	Operation Procedure
1. Remove the line connecting to the motor.		<ul style="list-style-type: none"> ●Use a screwdriver to unscrew the electric box cover. ●Remove from the master board the line connecting to the motor and remove the tie.
2. Remove the filter. And the air return cover plate.		<ul style="list-style-type: none"> ●Remove the filter from the air return frame. ●Use a screwdriver to unscrew the air return cover plate.
3. Remove the rear propeller housing and Remove the front propeller housing.		<ul style="list-style-type: none"> ●Loosen the fasteners that connect the rear propeller housing with the front propeller housing and remove the rear propeller housing. ●Use a screwdriver to unscrew the front propeller housing and then remove the propeller housing.
4. Remove the motor.		<ul style="list-style-type: none"> ●Remove the motor from the support and remove the louver from the motor axle. Then, remove the motor.
5. Install a new motor.		<ul style="list-style-type: none"> ●Assemble units based on the reverse order of this procedure and power on the units for test.

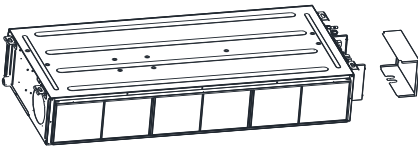
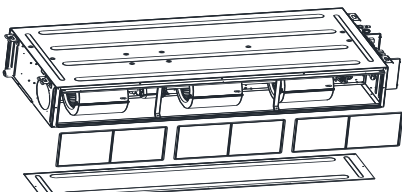
GMV-NX224P/A(X2.0)-M, GMV-NX280P/A(X2.5)-M, GMV-NX280P/A(X3.0)-M:

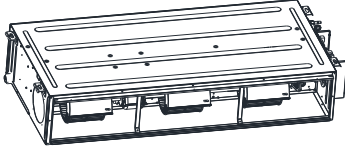
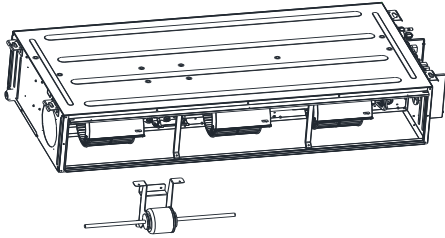
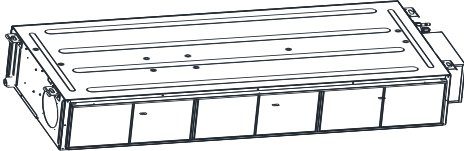
Motor and fan		
Precondition: The power supply has been disconnected.		
Step	Diagram	Operation Procedure
1.Remove the line connecting to the motor.		<ul style="list-style-type: none"> ●Use a screwdriver to unscrew the electric box cover. ●Remove from the master board the line connecting to the motor and remove the tie.
2. Remove the cover plate assembly		<ul style="list-style-type: none"> ●Use a screwdriver to unscrew the bolt to fixture the cover plate.
3. loosen the strap, Remove the motor cover plate		<ul style="list-style-type: none"> ●loosen the strap, Use a screwdriver to unscrew the bolt to fixture the cover plate.
4. Remove the motor.		<ul style="list-style-type: none"> ●Remove the motor from the support and remove the louver from the motor axle. Then, remove the motor.
5.Install a new motor.		<ul style="list-style-type: none"> ●Assemble units based on the reverse order of this procedure and power on the units for test.

GMV-NX450P/A(X4.0)-M:

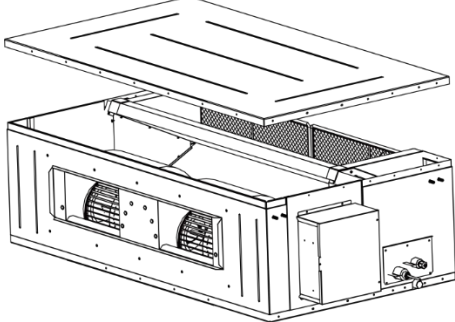
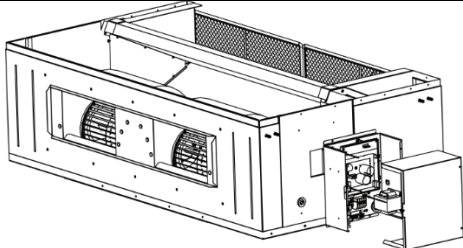
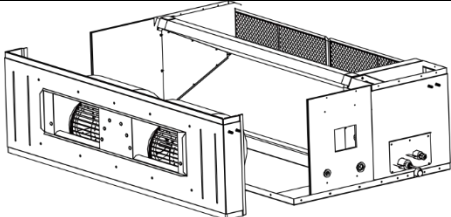
Motor and fan		
Precondition: The power supply has been disconnected.		
Step	Diagram	Operation Procedure
1. Remove the line connecting to the motor.		<ul style="list-style-type: none"> ●Use a screwdriver to unscrew the electric box cover. ●Remove from the master board the line connecting to the motor and remove the tie.
2. Remove the cover plate assembly		<ul style="list-style-type: none"> ●Use a screwdriver to unscrew the bolt to fixture the cover plate
3. Remove the motor.		<ul style="list-style-type: none"> ●Remove the motor from the support and remove the centrifugal fan from the motor axle. Then, remove the motor. ●For motors that are accompanied with supports, the supports need removing as well
4. Install a new motor.		<ul style="list-style-type: none"> ●Assemble units based on the reverse order of this procedure and power on the units for test.

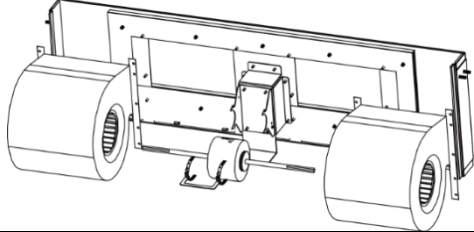
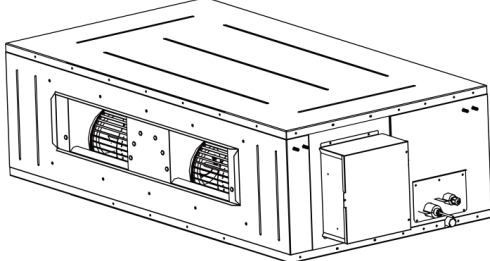
GMV-NDX125P/A-T, GMV-NDX140P/A-T:

Motor and fan		
Precondition: The power supply has been disconnected.		
Step	Diagram	Operation Procedure
1. Remove the line connecting to the motor.		<ul style="list-style-type: none"> ●Use a screwdriver to unscrew the electric box cover. ●Remove from the master board the line connecting to the motor and remove the tie.
2. Remove the filter. And the air return cover plate.		<ul style="list-style-type: none"> ●Remove the filter from the air return frame. ●Use a screwdriver to unscrew the air return cover plate.

Motor and fan		
Precondition: The power supply has been disconnected.		
Step	Diagram	Operation Procedure
3. Remove the rear propeller housing and Remove the front propeller housing.		<ul style="list-style-type: none"> ●Loosen the fasteners that connect the rear propeller housing with the front propeller housing and remove the rear propeller housing. ●Use a screwdriver to unscrew the front propeller housing and then remove the propeller housing.
4. Remove the motor.		<ul style="list-style-type: none"> ●Remove the motor from the support and remove the louver from the motor axle. Then, remove the motor.
5. Install a new motor.		<ul style="list-style-type: none"> ●Assemble units based on the reverse order of this procedure and power on the units for test.

GMV-NDX224P/A-T, GMV-NDX250P/A-T, GMV-NDX280P/A-T:

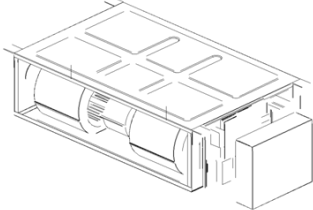
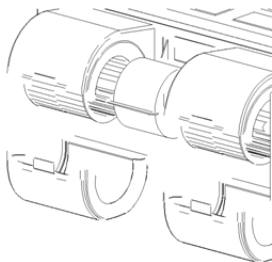
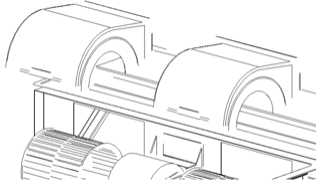
Motor and fan		
Precondition: The power supply has been disconnected.		
Step	Diagram	Operation Procedure
1. Remove the cover plate component.		<ul style="list-style-type: none"> ●Use a screwdriver to unscrew the cover plate component.
2. Remove the line connecting to the motor.		<ul style="list-style-type: none"> ●Use a screwdriver to unscrew the electric box cover. ●Remove from the master board the line connecting to the motor and remove the tie.
3. Disassemble the centrifugal fan.		<ul style="list-style-type: none"> ●Use a screwdriver to unscrew the centrifugal fan.

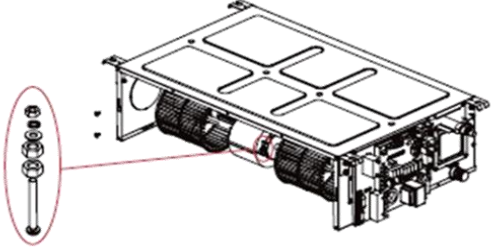
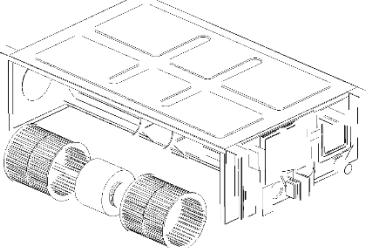
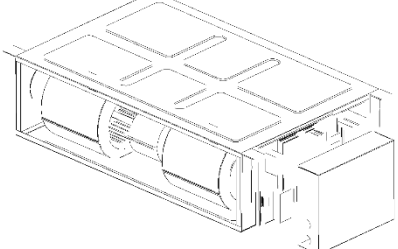
Motor and fan		
Precondition: The power supply has been disconnected.		
Step	Diagram	Operation Procedure
4. Remove the centrifugal fan.		<ul style="list-style-type: none"> ●Use a hexagon to unscrew the centrifugal fan and remove the centrifugal louver from the motor axle.
5. Install a new motor.		<ul style="list-style-type: none"> ●Assemble units based on the reverse order of this procedure and power on the units for test.

4.11 Slim Duct Type

Note:

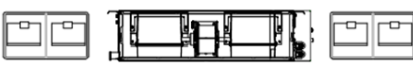
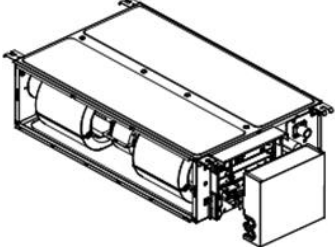
The following steps are specific for GMV-ND22PL/B-T units. For other units, the assembly and disassembly procedure is similar except the numbers of louvers and motors.

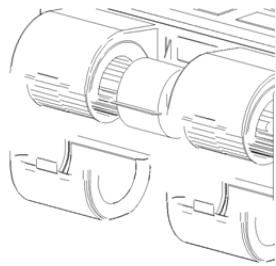
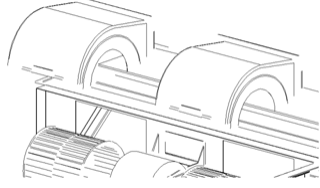
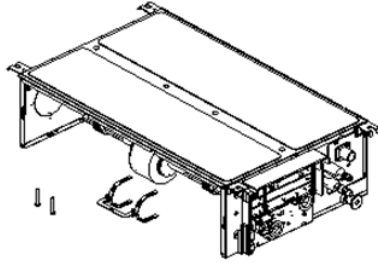
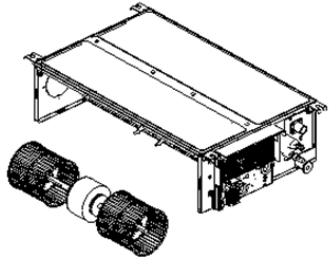
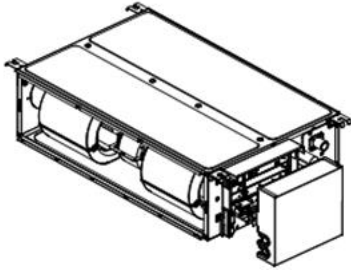
Motor and fan		
Precondition: The power supply has been disconnected.		
Step	Diagram	Operation Procedure
1. Remove the cover plate of the electric box.		<ul style="list-style-type: none"> ●Disconnect the power supply of the IDUs, use a screwdriver to unscrew the cover plate of the electric box, and then remove the line connecting to the motor.
2. Remove the rear volute casing.		<ul style="list-style-type: none"> ●Loosen the fasteners that connect the rear volute casing with the front volute casing and remove the rear volute casing.
3. Remove the front volute casing.		<ul style="list-style-type: none"> ●Use a screwdriver to unscrew the front volute casing and then remove the volute casing.

Motor and fan		
Precondition: The power supply has been disconnected.		
Step	Diagram	Operation Procedure
4. Remove the louver and motor.		<ul style="list-style-type: none"> ●Use a screwdriver to unscrew the louver and loosen the fasteners of the motor.
5. Install a new motor.		<ul style="list-style-type: none"> ●Remove the motor from the support and remove the louver from the motor. Then, remove the motor. ●Install a new motor.
6. Install units in a reverse order of this procedure.		<ul style="list-style-type: none"> ●Assemble units based on the reverse order of this procedure and power on the units for test.

Note:

The following steps are specific for GMV-ND22PLS/C-T units. For other units, the assembly and disassembly procedure is similar except the numbers of louvers and motors.

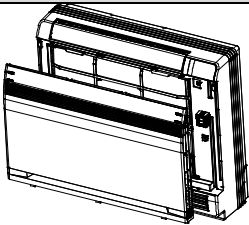
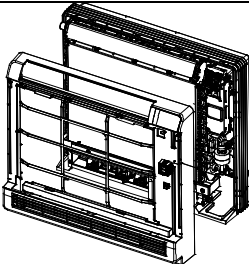
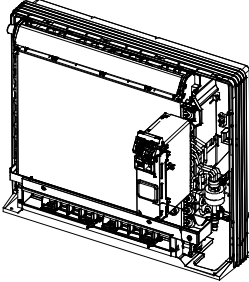
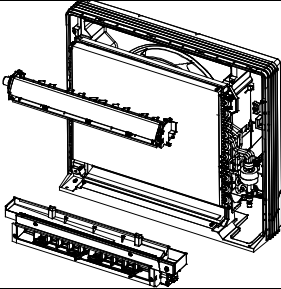
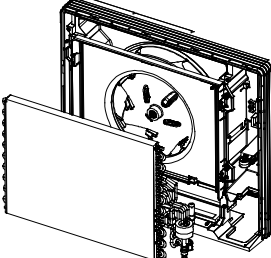
Motor and fan		
Precondition: The power supply has been disconnected.		
Step	Diagram	Operation Procedure
1. Remove the air return filter.		<ul style="list-style-type: none"> ●Draw the air return filter to both sides respectively at the return air inlet.
2. Remove the cover plate of the electric box.		<ul style="list-style-type: none"> ●Disconnect the power supply of the IDUs, use a screwdriver to unscrew the cover plate of the electric box, and then remove the line connecting to the motor.

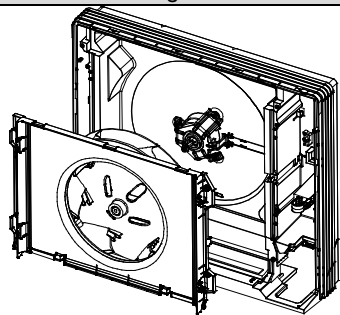
Motor and fan		
Precondition: The power supply has been disconnected.		
Step	Diagram	Operation Procedure
3. Remove the rear volute casing.		<ul style="list-style-type: none"> ●Loosen the fasteners that connect the rear volute casing with the front volute casing and remove the rear volute casing.
4. Remove the front volute casing.		<ul style="list-style-type: none"> ●Use a screwdriver to unscrew the front volute casing and then remove the volute casing.
5. Remove the louver and motor.		<ul style="list-style-type: none"> ●Use a screwdriver to unscrew the louver and loosen the fasteners of the motor.
6. Install a new motor.		<ul style="list-style-type: none"> ●Remove the motor from the support and remove the louver from the motor. Then, remove the motor. ●Install a new motor.
7. Install units in a reverse order of this procedure.		<ul style="list-style-type: none"> ●Assemble units based on the reverse order of this procedure and power on the units for test.

4.12 Console Type Indoor Unit

Note:

The following steps are specific for GMV-ND22C/A-T units. For other units, the assembly and disassembly procedure is similar except the numbers of louvers and motors.

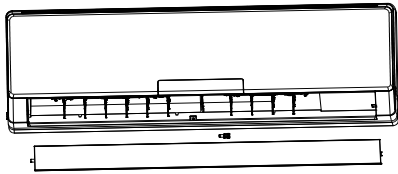
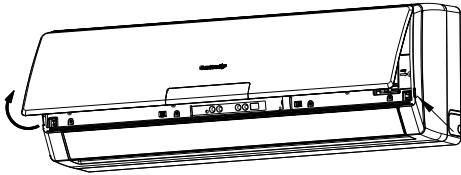
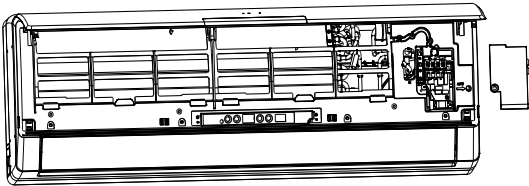
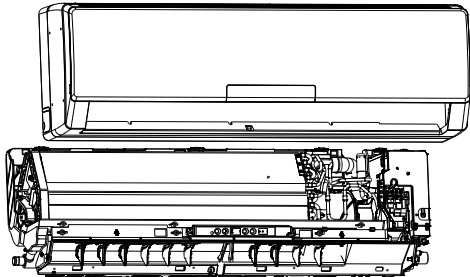
Removal of Fan Motor		
Remark: before removing, making sure power is disconnected.		
Step	Diagram	Operation Procedure
1. Open the panel		<ul style="list-style-type: none"> ● Press clasps at both sides to "OPEN" position.
2. Remove filter and front case		<ul style="list-style-type: none"> ● Remove 5 screws fixing the front case.
3. Remove electric box		<ul style="list-style-type: none"> ● Open electric box cover, loosen all connection wires and then remove screws.
4. Remove water tray and swing motor		<ul style="list-style-type: none"> ● Remove 2 screws fixing water tray and swing motor respectively.
5. Remove evaporator		<ul style="list-style-type: none"> ● Remove the fixer fixing the evaporator, press 2 clasps at left side and then remove the evaporator.

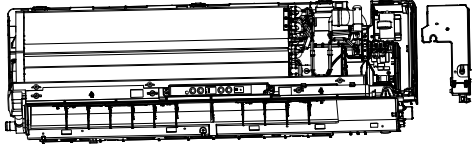
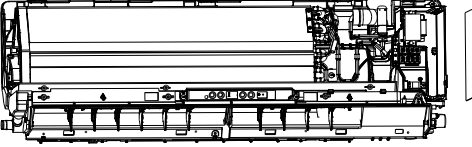
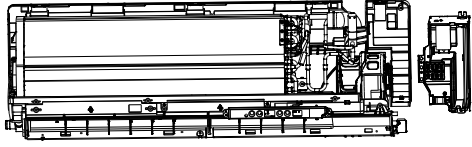
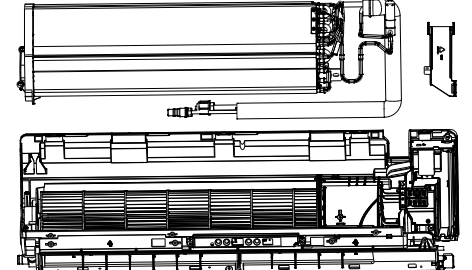
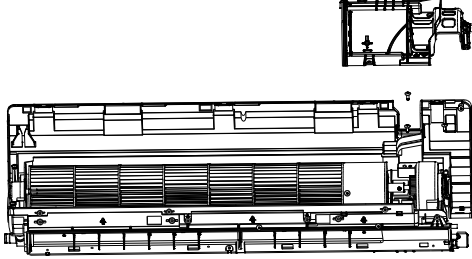
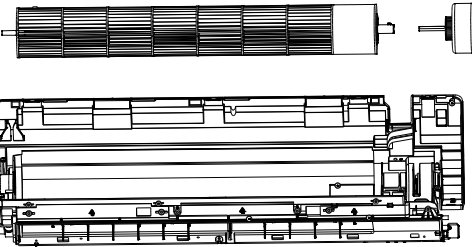
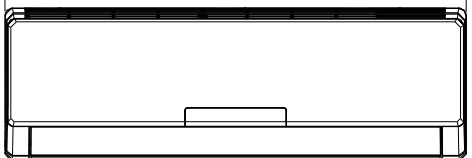
Removal of Fan Motor		
Remark: before removing, making sure power is disconnected.		
Step	Diagram	Operation Procedure
6. Remove reversion loop and centrifugal blade		<ul style="list-style-type: none"> ●Remove 4 screws fixing the reversion loop and then remove the reversion loop' remove nuts on blade and then remove the centrifugal blade.

4.13 Wall Mounted type Indoor Unit

Note:

The following steps are specific for GMV-N22G/A3A-K units. For other units, the assembly and disassembly procedure is similar except the numbers of louvers and motors.

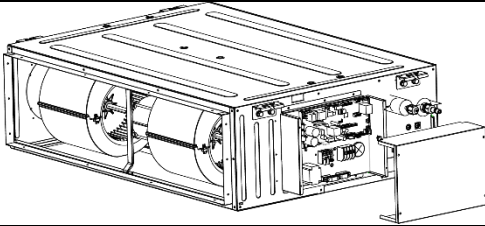
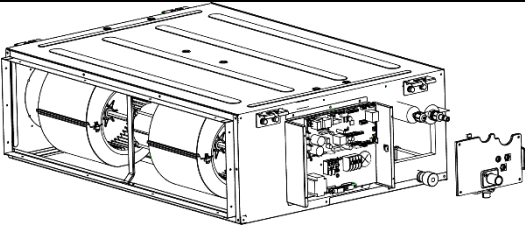
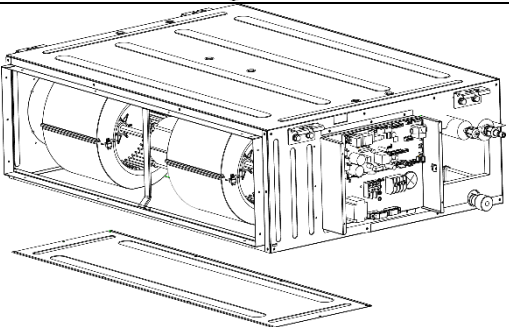
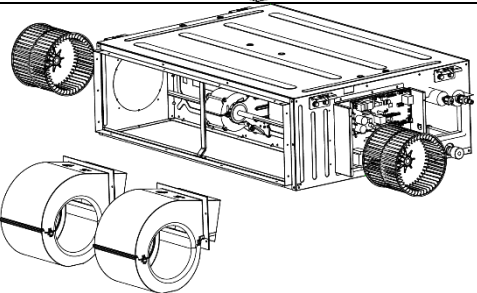
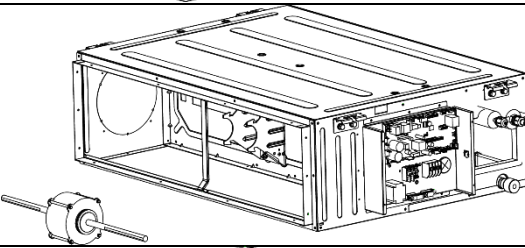
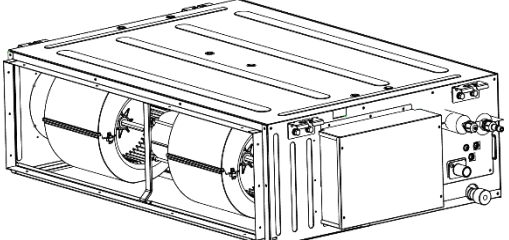
Removal of Fan Motor		
Remark: before removing, making sure power is disconnected.		
Step	Diagram	Operation Procedure
1. Remove the louver		<ul style="list-style-type: none"> ●Take off the axle bush of the louver. ●Remove the louver.
2. Open the front panel		<ul style="list-style-type: none"> ●Hold the indents on both sides of the panel and pull it out in the direction shown by the arrow.
3. Remove the electrical box cover 2		<ul style="list-style-type: none"> ●Unscrew the screws fixing the electrical box cover with a screwdriver. Take off the box cover 2. ●Detach the ambient temperature sensor from the conduit.
4. Remove the front panel assembly		<ul style="list-style-type: none"> ●Unscrew the screws fixing the front panel assembly. ●Remove the front panel assembly.

Removal of Fan Motor		
Remark: before removing, making sure power is disconnected.		
Step	Diagram	Operation Procedure
5. Remove the electrical box cover 1		<ul style="list-style-type: none"> ● Press on the buckle of the box cover 1 and then take off the cover.
6. Remove the main board		<ul style="list-style-type: none"> ● Release the wiring terminals connected to the main board. ● Remove the main board.
7. Remove the electrical box		<ul style="list-style-type: none"> ● Unscrew the screws fixing the electrical box with a screwdriver. ● Remove the electrical box.
8. Remove the evaporator		<ul style="list-style-type: none"> ● Use a screwdriver to unscrew the screws fixing the press plate of connection pipe on the back of the unit and take off the press plate. ● Unscrew the screws of evaporator with a screwdriver and then remove the evaporator.
9. Remove motor's pressing plate		<ul style="list-style-type: none"> ● Unscrew the fixing screws of the pressing plate with a screwdriver and then remove it.
10. Remove the motor and fan		<ul style="list-style-type: none"> ● Take off the motor and fan directly. ● Use a screwdriver to unscrew the screws connecting the motor and the fan.
11. Install a new motor.		<ul style="list-style-type: none"> ● Assemble units based on the reverse order of this procedure and power on the units for test.

4.14 Super High Static Pressure Duct Type Indoor Unit

Note:

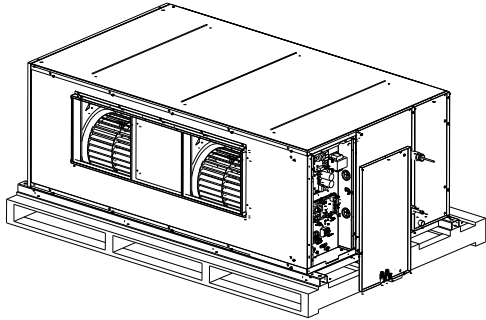
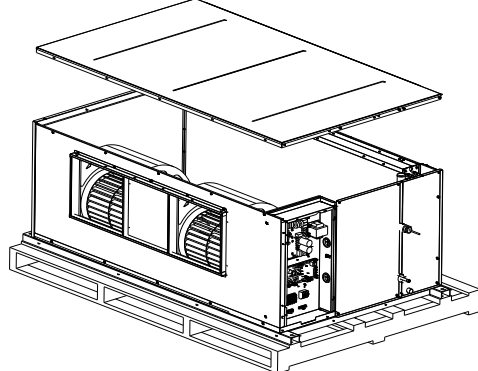
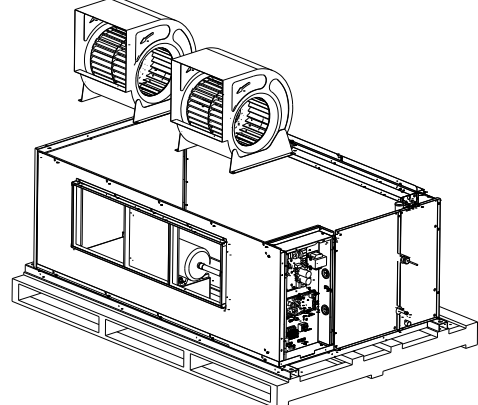
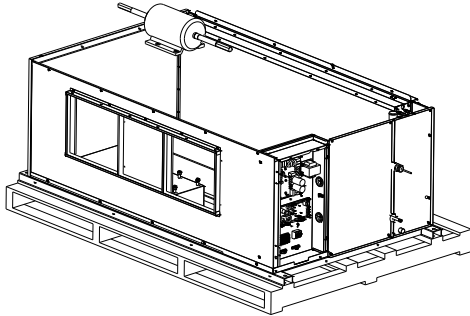
The following steps are specific for GMV-ND22PHS/B-T units. For other units, the assembly and disassembly procedure is similar except the specifications of centrifugal fans and motors.

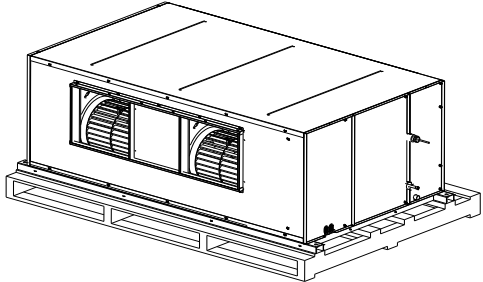
Motor and fan		
Precondition: The power supply has been disconnected.		
Step	Diagram	Operation Procedure
1. Remove the line connecting to the motor.		<ul style="list-style-type: none"> ●Use a screwdriver to unscrew the electric box cover. ●Remove from the master board the line connecting to the motor and remove the tie.
2. Disassemble the seal plate and cover plate.		<ul style="list-style-type: none"> ●Use a screwdriver to unscrew the seal plate and cover plate and then remove them.
3. Remove the grille		<ul style="list-style-type: none"> ●Use a screwdriver to unscrew the cover plate component.
4. Remove the centrifugal fan.		<ul style="list-style-type: none"> ●Use a screwdriver to unscrew the front volute casing and then remove the volute casing.
5. Remove the motor.		<p>Remove the motor from the support and remove the centrifugal fan from the motor axle. Then, remove the motor.</p> <ul style="list-style-type: none"> ●For motors that are accompanied with supports, the supports need removing as well.
6. Install a new motor.		<ul style="list-style-type: none"> ●Assemble units based on the reverse order of this procedure and power on the units for test.

Note:

The following steps are specific for GMV-ND450PH/AR-X units. For other units, the assembly and

disassembly procedure is similar except the specifications of centrifugal fans and motors.

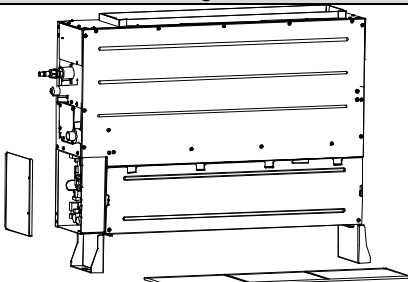
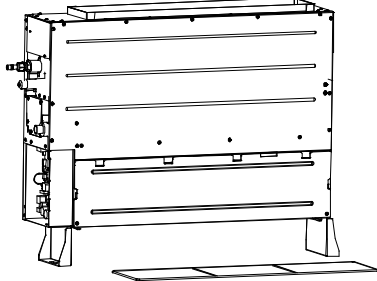
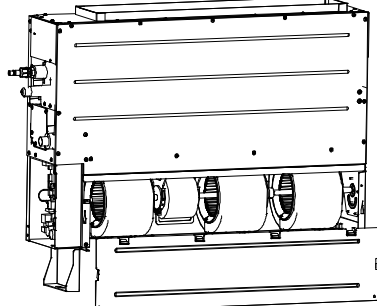
Motor and fan		
Precondition: The power supply has been disconnected.		
Step	Diagram	Operation Procedure
1. Remove the line connecting to the motor.		<ul style="list-style-type: none"> ●Use a screwdriver to unscrew the electric box cover. ●Remove from the master board the line connecting to the motor and remove the tie.
2. Disassemble the cover plate.		<ul style="list-style-type: none"> ●Use a screwdriver to unscrew the cover plate and then remove them.
3. Remove the centrifugal fan.		<ul style="list-style-type: none"> ●Use a screwdriver to unscrew the front volute casing and then remove the volute casing.
4. Remove the motor.		<p>Remove the motor from the support and remove the centrifugal fan from the motor axle. Then, remove the motor.</p> <ul style="list-style-type: none"> ●For motors that are accompanied with supports, the supports need removing as well.

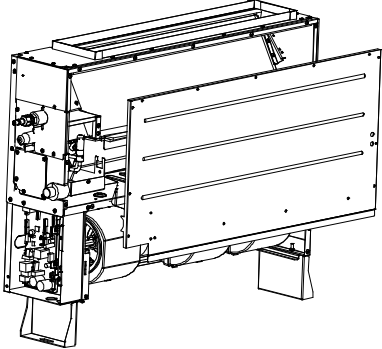
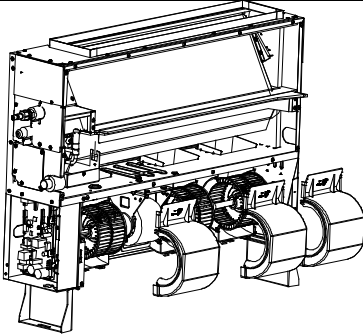
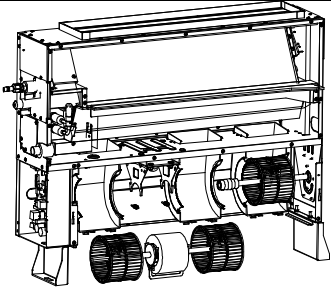
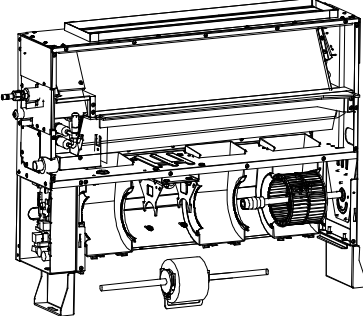
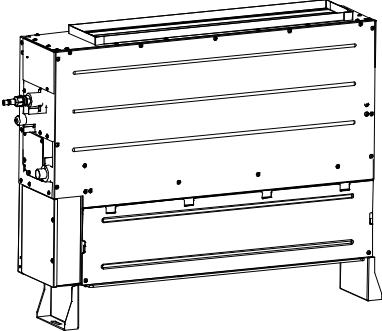
Motor and fan		
Precondition: The power supply has been disconnected.		
Step	Diagram	Operation Procedure
5. Install a new motor.		<ul style="list-style-type: none"> ● Assemble units based on the reverse order of this procedure and power on the units for test.

4.15 Concealed Floor Standing Type

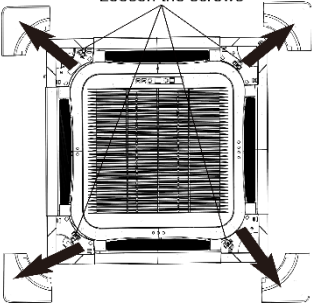
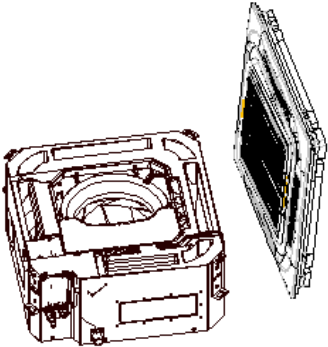
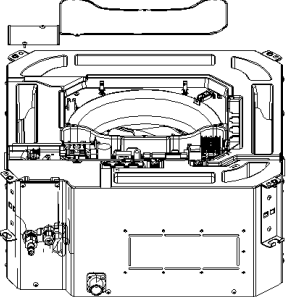
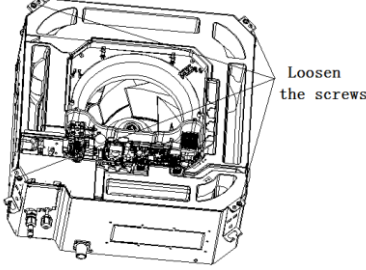
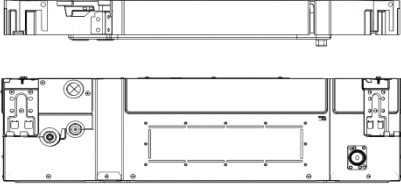
Note:

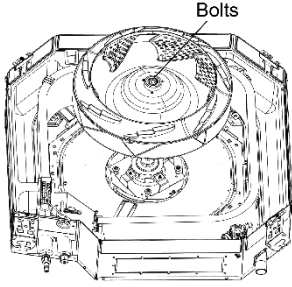
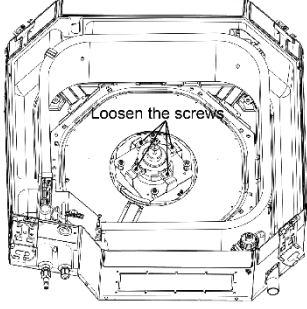
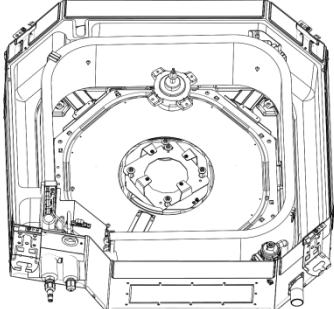
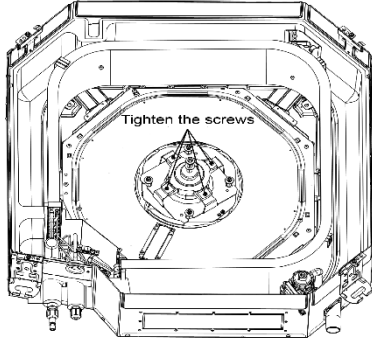
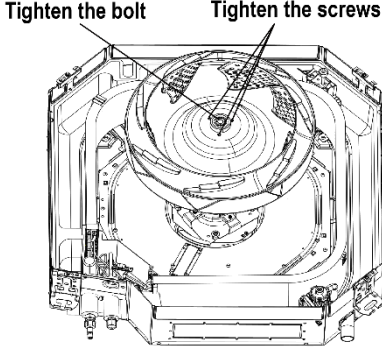
The following steps are specific for GMV-ND56ZA/A-T units. For other units, the assembly and disassembly procedure is similar except the specifications of centrifugal fans and motors.

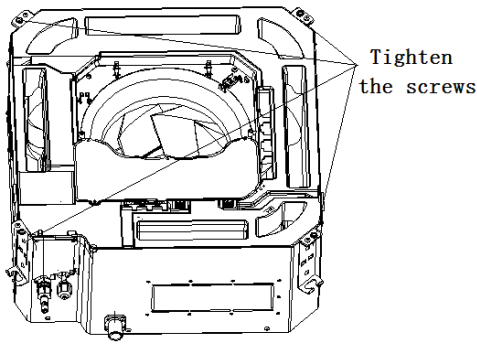
Motor and fan		
Precondition: The power supply has been disconnected.		
Step	Diagram	Operation Procedure
1. Remove the line connecting to the motor.		<ul style="list-style-type: none"> ● Use a screwdriver to unscrew the electric box cover. ● Remove from the master board the line connecting to the motor and remove the tie.
2. Remove the filter.		<ul style="list-style-type: none"> ● Remove the filter from the air return frame.
3. Remove the air return cover plate.		<ul style="list-style-type: none"> ● Use a screwdriver to unscrew the air return cover plate.

Motor and fan		
Precondition: The power supply has been disconnected.		
Step	Diagram	Operation Procedure
4. Remove the bottom cover plate.		<ul style="list-style-type: none"> ●Use a screwdriver to unscrew the air return cover plate.
5. Remove the rear volute casing.		<ul style="list-style-type: none"> ●Loosen the fasteners that connect the rear volute casing with the front volute casing and remove the rear volute casing.
6. Loosen the centrifugal fan and motor.		<ul style="list-style-type: none"> ●Use a hexagon to unscrew the centrifugal fan and loosen the fasteners of the motor.
7. Remove the motor.		<ul style="list-style-type: none"> ●Remove the motor from the support and remove the centrifugal fan from the motor axle. Then, remove the motor. ●For motors that are accompanied with supports, the supports need removing as well.
8. Install a new motor.		<ul style="list-style-type: none"> ●Assemble units based on the reverse order of this procedure and power on the units for test.

4.16 360° Air Discharge Cassette Type

Motor and fan		
Step	Diagram	Operation Procedure
1. Remove the front panel.		<ul style="list-style-type: none"> ● Turn off the power supply of indoor unit. ● Push the 4 corner plates in the directions shown by the arrows. ● Loosen the screws and remove the front panel.
		
2. Remove the cover of electric box and the clamp of power cord.		<ul style="list-style-type: none"> ● Remove the motor wire and water pump of the electric box.
3. Remove the water tray.		<ul style="list-style-type: none"> ● Loosen the screws in the 4 corners and then remove the water tray.
		

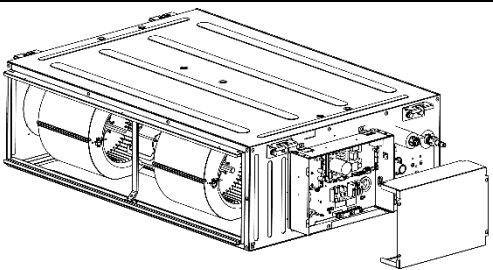
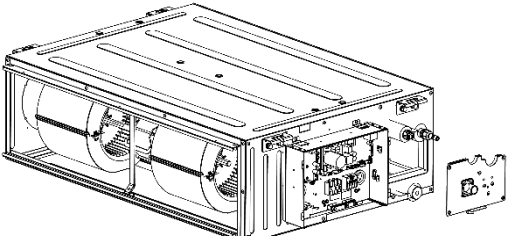
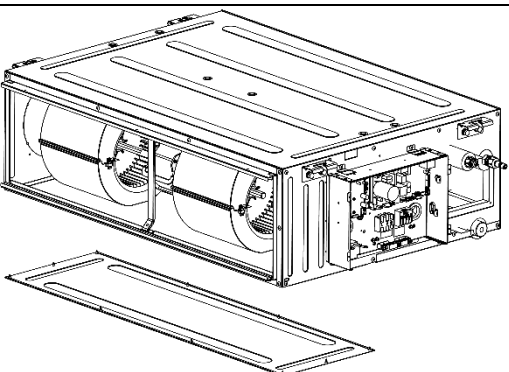
Motor and fan		
Step	Diagram	Operation Procedure
4. Remove the fan.		<ul style="list-style-type: none"> ●Use a screwdriver to remove the clamping band of motor. Then remove the fan.
5. Remove motor.		<ul style="list-style-type: none"> ●Use a screwdriver to unscrew the 4 screws of motor. Then remove the motor.
		
6. Replace and install the motor.		<ul style="list-style-type: none"> ●Remove the motor from motor support and then replace with a new motor. ●Tighten the 4 screws of motor with a screwdriver.
7. Install the fan.		<ul style="list-style-type: none"> ●Direct the hole of fan to the motor shaft and then mount on the fan. ●Tighten the clamping band of motor with a wrench.

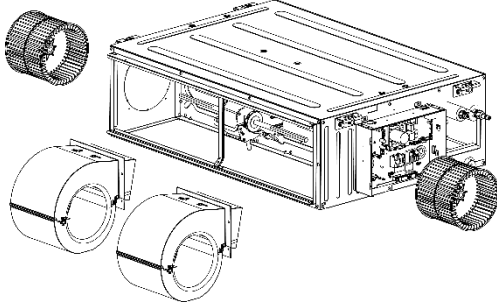
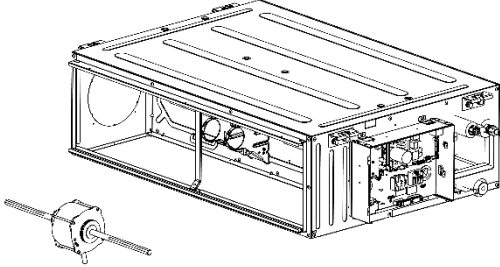
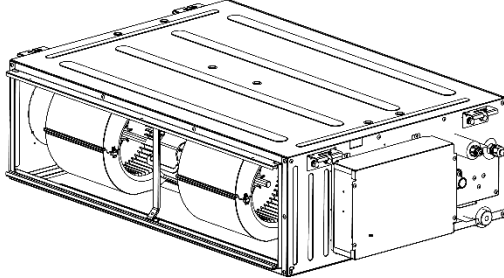
Motor and fan		
Step	Diagram	Operation Procedure
8. Install the water tray.		<ul style="list-style-type: none"> ●Direct the 4 corners of water tray to the 4 corners of the unit and then press them. Use a screwdriver to tighten the screws in the 4 corners. ●Connect the power cord and water pump wire. ●Place back the cover of electric box and the clamp of power cord. Then tighten the screws with a screwdriver.

4.17 High Static Pressure Duct Type Indoor Unit

Note:

The following steps are specific for GMV-ND80PHS/D-T units. For other units, the assembly and disassembly procedure is similar except the specifications of centrifugal fans and motors.

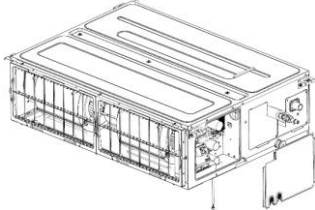
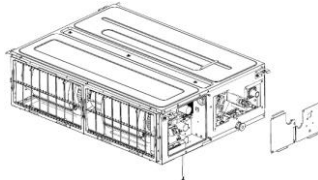
Motor and fan		
Precondition: The power supply has been disconnected.		
Step	Diagram	Operation Procedure
1. Remove the line connecting to the motor.		<ul style="list-style-type: none"> ●Use a screwdriver to unscrew the electric box cover. ●Remove from the master board the line connecting to the motor and remove the tie.
2. Disassemble the seal plate and cover plate.		<ul style="list-style-type: none"> ●Use a screwdriver to unscrew the seal plate and cover plate and then remove them.
3. Remove the grille		<ul style="list-style-type: none"> ●Use a screwdriver to unscrew the cover plate component.

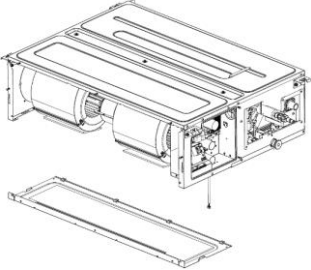
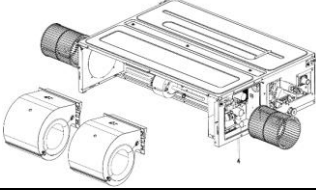
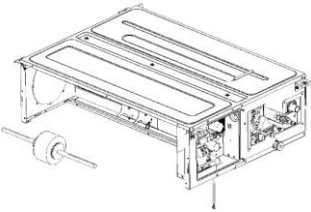
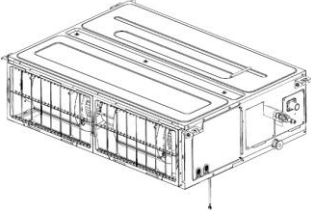
Motor and fan		
Precondition: The power supply has been disconnected.		
Step	Diagram	Operation Procedure
4. Remove the centrifugal fan.		<ul style="list-style-type: none"> ● Use a screwdriver to unscrew the front volute casing and then remove the volute casing.
5. Remove the motor.		<p>Remove the motor from the support and remove the centrifugal fan from the motor axle. Then, remove the motor.</p> <ul style="list-style-type: none"> ● For motors that are accompanied with supports, the supports need removing as well.
6. Install a new motor.		<ul style="list-style-type: none"> ● Assemble units based on the reverse order of this procedure and power on the units for test.

4.18 Middle Static Pressure Duct Type Indoor Unit

Note:

The following steps are specific for GMV-ND71PMS/A1-T units. For other units, the assembly and disassembly procedure is similar except the specifications of centrifugal fans and motors.

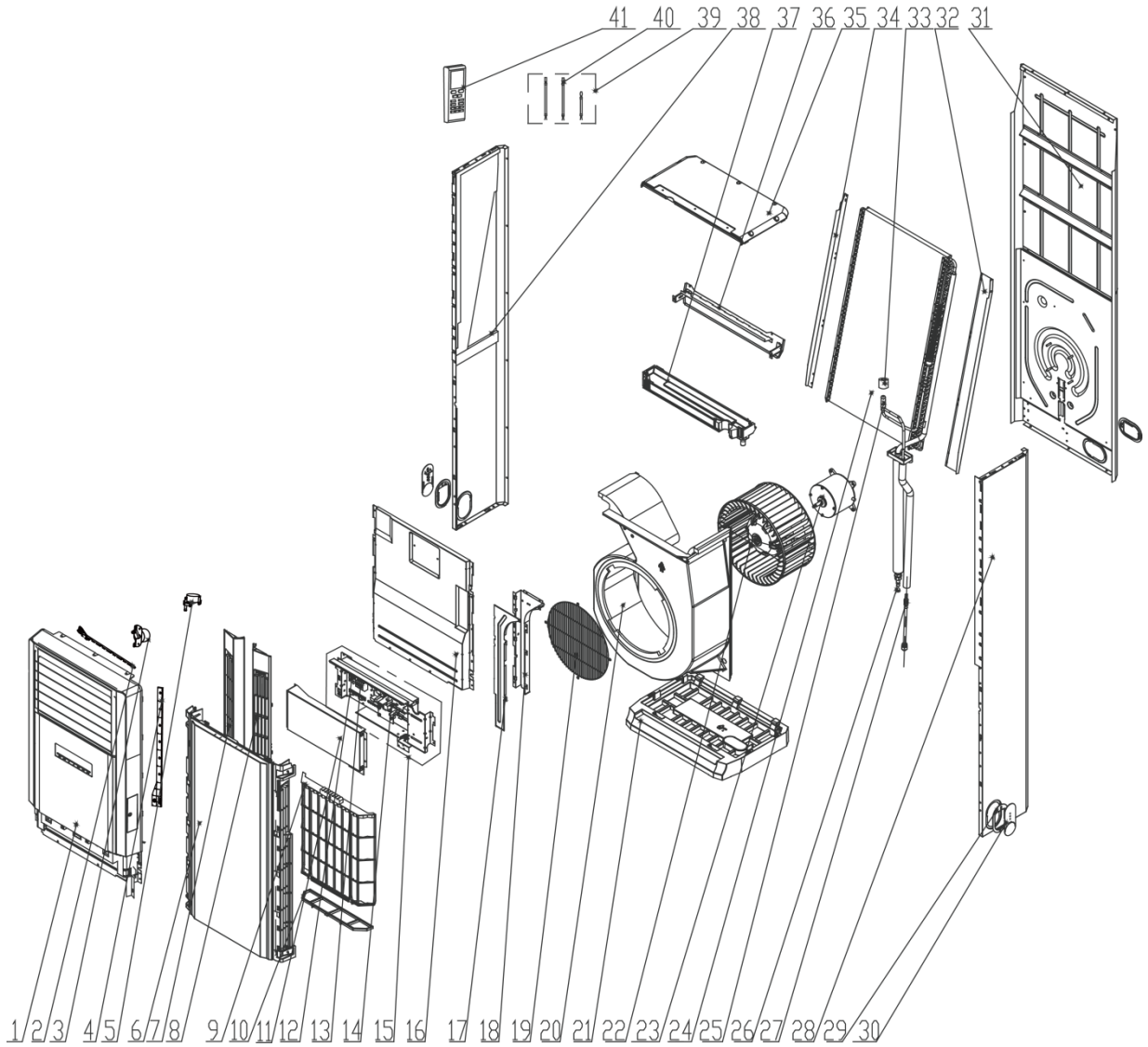
Motor and fan		
Precondition: The power supply has been disconnected.		
Step	Diagram	Operation Procedure
1. Remove the line connecting to the motor.		<ul style="list-style-type: none"> ● Use a screwdriver to unscrew the electric box cover. ● Remove from the master board the line connecting to the motor and remove the tie.
2. Disassemble the seal plate and cover plate.		<ul style="list-style-type: none"> ● Use a screwdriver to unscrew the seal plate and cover plate and then remove them.

Motor and fan		
Precondition: The power supply has been disconnected.		
Step	Diagram	Operation Procedure
3. Remove the grille		<ul style="list-style-type: none"> ● Use a screwdriver to unscrew the cover plate component.
4. Remove the centrifugal fan.		<ul style="list-style-type: none"> ● Use a screwdriver to unscrew the front volute casing and then remove the volute casing.
5. Remove the motor.		<p>Remove the motor from the support and remove the centrifugal fan from the motor axle. Then, remove the motor.</p> <ul style="list-style-type: none"> ● For motors that are accompanied with supports, the supports need removing as well.
6. Install a new motor.		<ul style="list-style-type: none"> ● Assemble units based on the reverse order of this procedure and power on the units for test.

5 Exploded Views and Part List

5.1 Floor Standing Type

Exploded View of GMV-ND100L/A-T, GMV-ND140L/A-T:

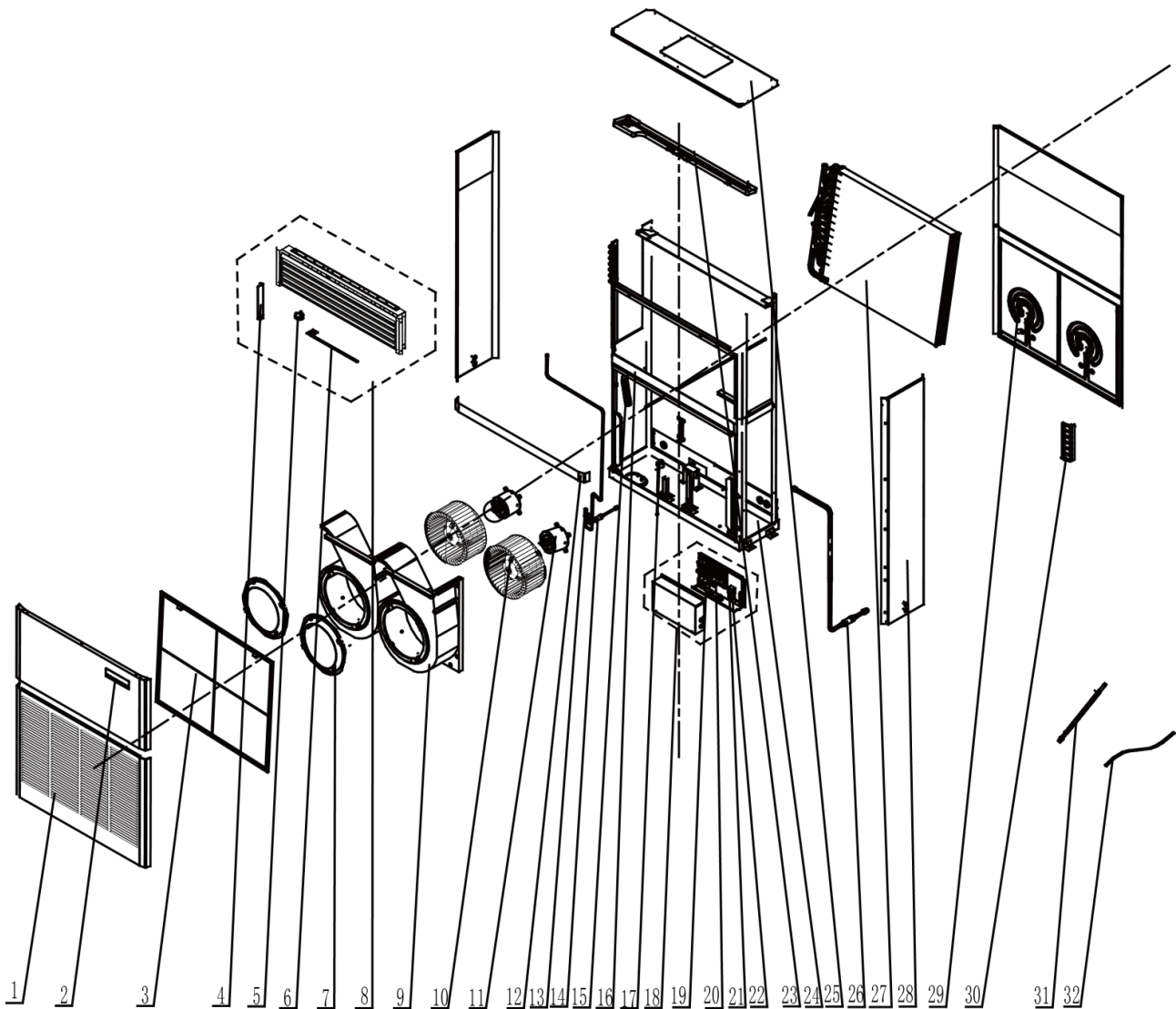


No.	Model	GMV-ND100L/A-T	GMV-ND140L/A-T	Qty
	Product Code	CM300N0060	CM300N0070	
	Part Name	Part Code	Part Code	
1	Air Outlet Panel Assy	20004505	20004505	1
2	Swing Lever	10584218	10584218	1
3	Stepping Motor	15214005	15214005	1
4	Guide blade Lever	10584089	10584089	1
5	Stepping Motor	1521400803	1521400803	1
6	Air Intake Panel Assy	20004536	20004536	1
7	Left Side board	0130451901	0130430401	1
8	Right Side Plate of Air Inlet	0130451801	0130430301	1
9	Filter Sub-Assy(Upper)	11124100	11124100	1
10	Filter(Lower)	11124012	11124012	2
11	Electric Box Cover Sub-Assy	01404388	01404388	1
12	Terminal Board	42010259	42010259	1

No.	Model	GMV-ND100L/A-T	GMV-ND140L/A-T	Qty
	Product Code	CM300N0060	CM300N0070	
	Part Name	Part Code	Part Code	
13	Terminal Board	4201800002601	4201800002601	1
14	Main Board	30226000004	30226000004	1
15	Electric Box Assy	02404122	02404122	1
16	Air Guard Assy	01354100012	01354100012	1
17	Cover of Pass Wire slot	01744109	01744109	1
18	Pass Wire slot	02164010	02164010	-
19	Protective Covering	01474027	01474027	1
20	Propeller Housing	12104057	12104057	1
21	Chassis	22224020	22224020	1
22	Centrifugal Fan	10314401	10314401	1
23	Fan Motor	1501442502	1501442502	1
24	Evaporator Sub-Assy	01034024	01034054	1
25	Electronic Expansion Valve	07334468	07334468	1
26	Filter Sub-Assy	07210028	07210028	2
27	Strainer	07213050	07213050	-
28	Right Side Plate Sub-Assy	0130451801	0130451801	1
29	Rear Cover	2224422101	2224422101	3
30	Baffle Plate	2611408801	2611408801	3
31	Rear Plate Sub-Assy	01304500	01304500	1
32	Right Air Guard	01364507	01364507	1
33	Electronic Expansion Valve Fitting	4304413219	4304413219	1
34	Left Air Guard	01364506	01364506	-
35	Top Cover Sub-Assy	01364506	01364506	1
36	Breakwater Sub-Assy	01364154P	01364154P	1
37	Water Tray Sub-Assy	12314811	12314811	1
38	Left Side Plate Sub-Assy	0130451901	0130451901	-
39	Sensor Sub-Assy	39008000115G	39008000115G	1
40	Temp Sensor	34030048	34030048	1
41	Remote Controller	30510589	30510589	1

Above data is subject to change without notice, pls reference the SP in global service website.

Exploded View of GMV-N280L/A-D:



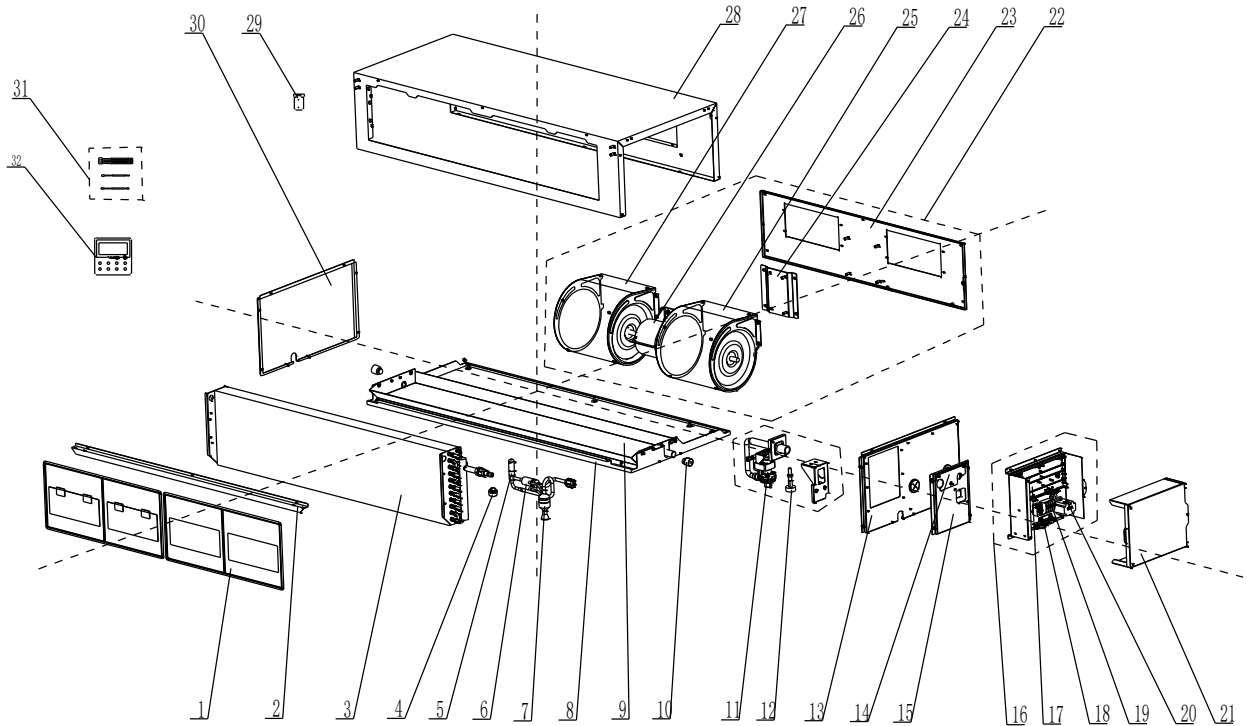
List of parts and components:

No.	Material name	QTY	Material code
1	Air intake Panel	1	01534805
2	Display Board	1	30296000044
3	Filter Sub-Assy	1	11723201
4	Air Louver	12	10514801
5	Synchronous Motor	1	15014803
6	Swing lever	2	10584801
7	Diversion Circle	2	10374435
8	Air Outlet Frame Assy	1	000141060008
9	Propeller housing Assy	2	12103202
10	Centrifugal Fan	2	10314401
11	Fan Motor	2	1501442410
12	Decorative Cover	1	26114802
13	Electronic Expansion Valve	1	072009060088
14	Bidirection Strainer	2	07220016
15	Drainage Pipe Sub-assy	1	05238201
16	Decorative Rim Sub-Assy	1	26114800
17	Electric Expand Valve Fitting	1	4304413205

No.	Material name	QTY	Material code
18	Electric Box Assy	1	100002060154
19	Capacitor CBB61S	2	3301074709
20	Main Board	1	300002060041
21	Terminal Board	1	4201800002601
22	Terminal Board	1	42000100000101
23	Water Tray Assy	1	01283231
24	Chassis Sub-assy	1	017000060029P
25	Top Cover Plate Sub-Assy	1	01254805
26	Strainer	1	07413900026
27	Evaporator Assy	1	011001060037
28	Side Plate	2	01304805
29	Rear plate assy 2	1	01313237
30	Decorative Board	2	26114803R
31	Corrugated Pipe	1	05010057
32	Drain Pipe	1	05230022

5.2 High Static Pressure Duct Type

Exploded View of GMV-ND56PHS/A-T, GMV-ND63PHS/A-T, GMV-ND71PHS/A-T, GMV-ND80PHS/A-T:

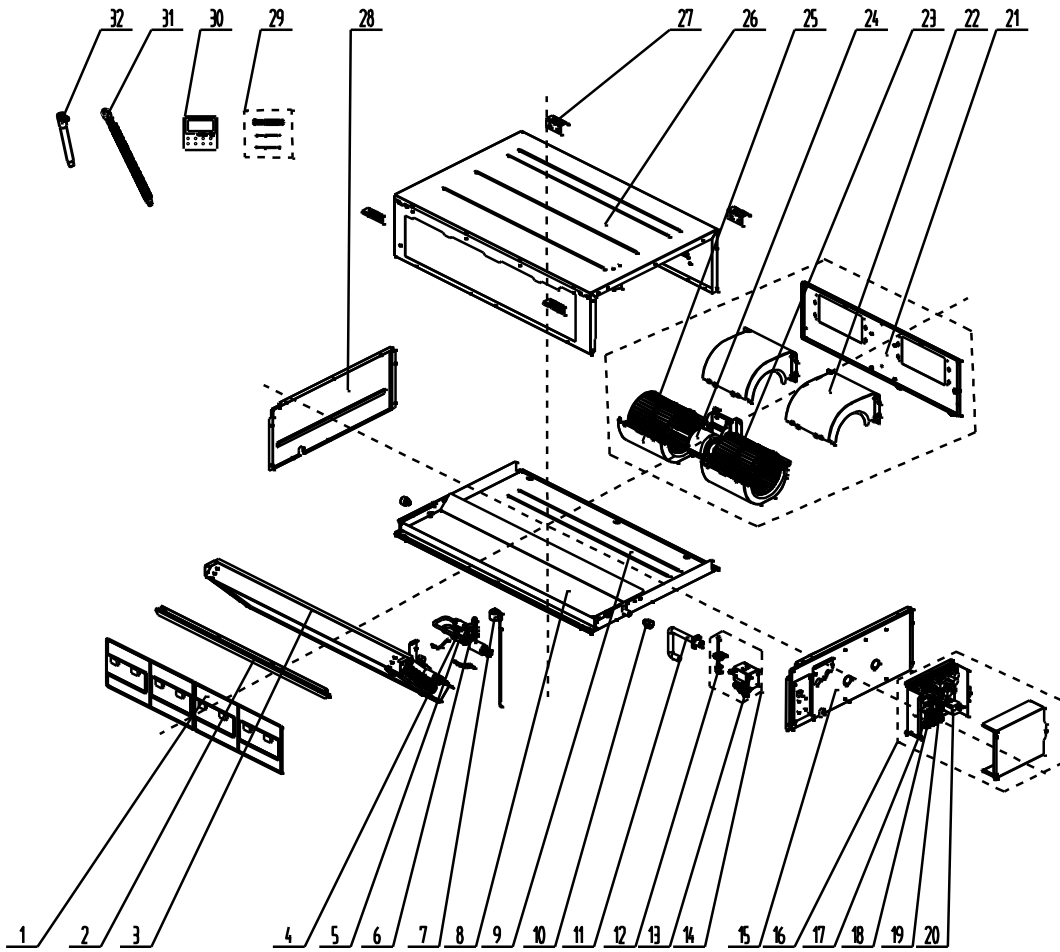


No.	Name of part	For the following unit	
		Unit	Product Code
		GMV-ND56PHS/A-T	CM800N3690
		GMV-ND63PHS/A-T	CM800N3700
		GMV-ND71PHS/A-T	CM800N3540
		GMV-ND80PHS/A-T	CM800N3710
		Part code	Quantity
1	Filter Sub-Assy	11125303	2
2	Guide groove of the filter screen	02285301	1
3	Evaporator Assy	01024100090	1
4	Electric Expand Valve Fitting	4304413215	1
5	Electronic Expansion Valve	07334466	1
6	Strainer	0721304401	1
7	Filter	0721200102	1
8	Lower Cover Plate Sub-Assy	01265304	1
9	Water Tray Assy	01285317	1
10	Choke Plug of Drain Pipe	76712455	2
11	Water Pump	4313822001	1
12	Water Level Switch	430024000005	1
13	Right Side Plate	0131410006301	1
14	Seal plate	01494100008	1
15	Cover Plate	01264100036	1

No.	Name of part	For the following unit	
		Unit	Product Code
		GMV-ND56PHS/A-T	CM800N3690
		GMV-ND63PHS/A-T	CM800N3700
		GMV-ND71PHS/A-T	CM800N3540
		GMV-ND80PHS/A-T	CM800N3710
		Part code	Quantity
16	Electric Box Assy	01394100255	1
17	Main Board	30226000027	1
18	Terminal Board	42000100000101	1
19	Terminal Board	4201800002601	1
20	Inductance	43128000014	1
21	Electric Box Cover	012020060474	1
22	Centrifugal fan assy	15405200029	1
23	Blower Mounting Plate Sub-Assy	01325200039	1
24	Supporter	01804100140	1
25	Blower	15012454	1
26	Brushless DC Motor	15705200006	1
27	Blower	15012458	1
28	Top Cover Board Assy	01265226	1
29	Hook	02112446	4
30	Left Side Plate Assy	01314155	1
31	Sensor Sub-assy	39004169G	1
32	Display Board	30296000040	1

Above data is subject to change without notice, pls reference the SP in global service website.

Exploded View of GMV-ND90PHS/A-T, GMV-ND100PHS/A-T, GMV-ND112PHS/A-T, GMV-ND125PHS/A-T, GMV-ND140PHS/A-T:

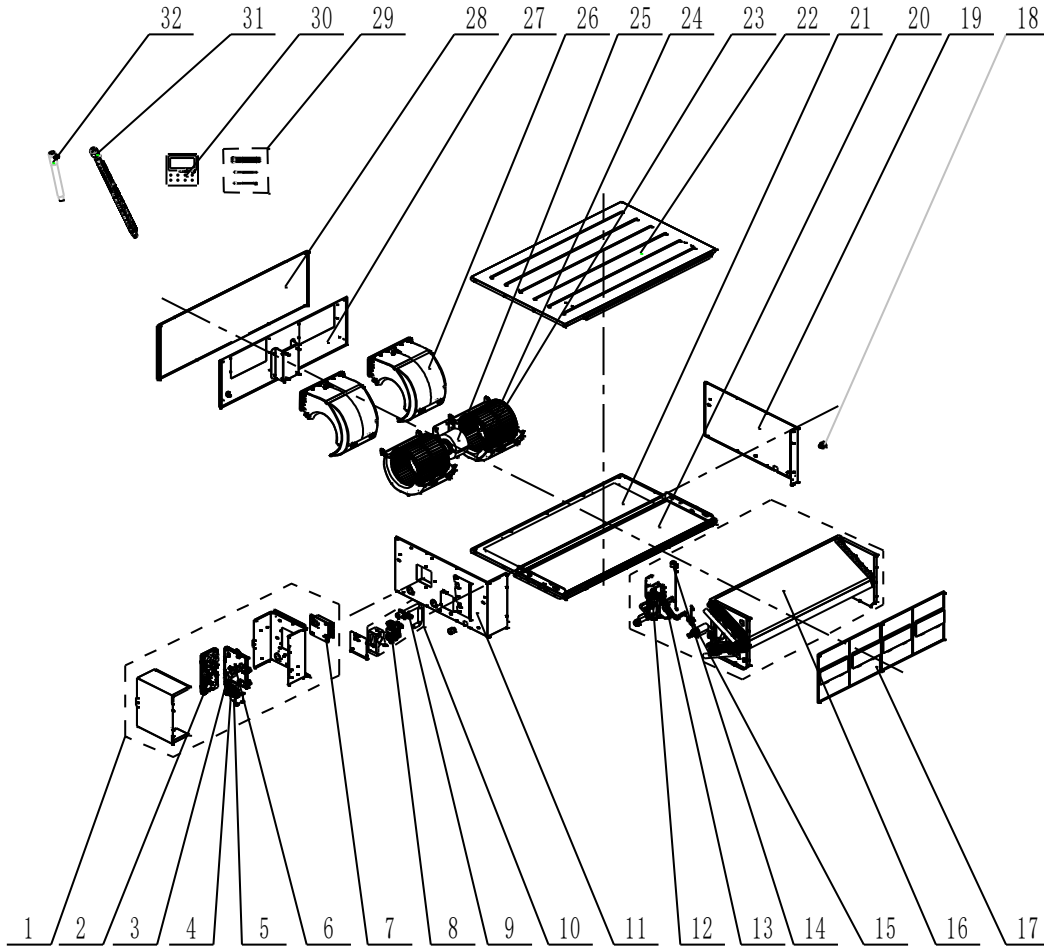


No.	Name of part	For the following unit	
		Unit	Product Code
		GMV-ND90PHS/A-T	CM800N3550
		GMV-ND100PHS/A-T	CM800N3650
		GMV-ND112PHS/A-T	CM800N3660
		GMV-ND125PHS/A-T	CM800N3670
		GMV-ND140PHS/A-T	CM800N3680
		Part code	Quantity
1	Filter Sub-Assy	111253031	2
2	Air Intake Side Board	01375301	1
3	Evaporator Assy	01024100068	1
4	Strainer	0741410000601	2
5	Strainer	07220005	1
6	Electronic Expansion Valve	07334468	1
7	Electric Expand Valve Fitting	4304413215	1
8	Water Tray Assy	01285323_AF152	1
9	Lower Cover Plate Sub-Assy	15265301_AF152	1
10	Choke Plug of Drain Pipe	76712455	2

No.	Name of part	For the following unit	
		Unit	Product Code
		GMV-ND90PHS/A-T	CM800N3550
		GMV-ND100PHS/A-T	CM800N3650
		GMV-ND112PHS/A-T	CM800N3660
		GMV-ND125PHS/A-T	CM800N3670
		GMV-ND140PHS/A-T	CM800N3680
		Part code	Quantity
11	Pump Drainpipe	05235301	1
12	Water Level Switch	45020216	1
13	Water Pump	43138220	1
14	Water Pump Assy	1540520005401	1
15	Right Side Plate Sub-Assy	000130060105	1
16	Electric Box Assy	01394100255	1
17	Terminal Board	4201800002601	1
18	Main Board	30226000027	1
19	Terminal Board	42000100000101	1
20	Inductance	43128000014	1
21	Blower Mounting Plate Sub-Assy	01325200044	1
22	Propeller Housing(Upper)	26904100051	2
23	Centrifugal Fan	10424100001	2
24	Brushless DC Motor	1570940000603	1
25	Propeller Housing(Lower)	26904100052	2
26	Top Cover Board Sub-assy	017011000016	1
27	Hook	02112466	4
28	Left Side Plate Sub-Assy	01315307	1
29	Sensor Sub-assy	39004169G	1
30	Display Board	30296000040	1
31	Corrugated Pipe	05015408	1
32	Drain Hose	05232046	1

Above data is subject to change without notice, pls reference the SP in global service website.

Exploded View of GMV-ND160PHS/A-T:

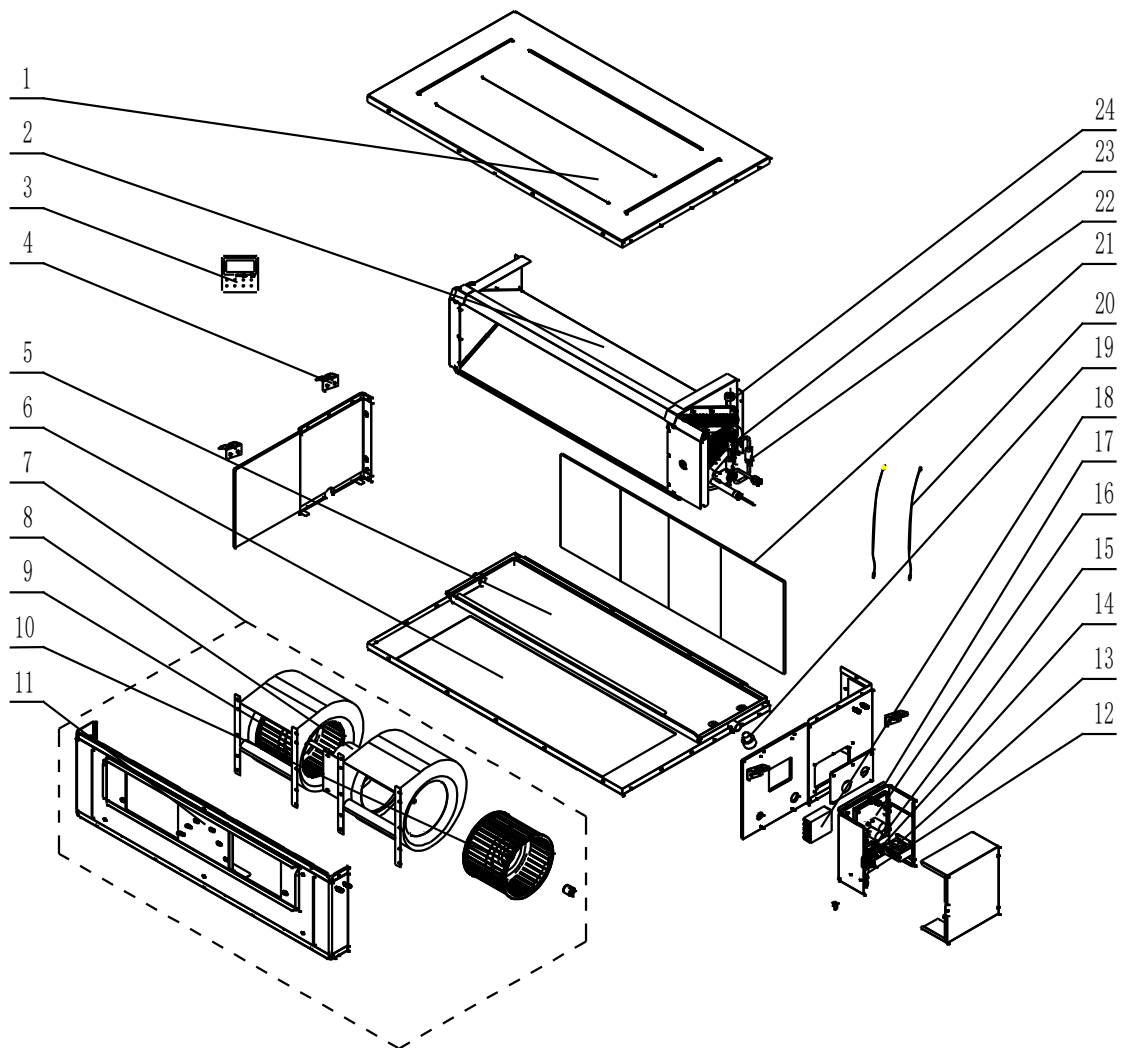


No.	Model	GMV-ND160PHS/A-T	Qty.
	Product Code	CM810N0250	
	Part Name	Part Code	
1	Electric Box Assy	100002070512	1
2	Main Board	30226000064	1
3	Terminal board	42000100000202	1
4	Terminal Board	4201800002601	1
5	Reactor	43138000047	1
6	Main Board	30221000018	1
7	Radiator	49018000068	1
8	Water Pump	4313822001	1
9	Pump Drainpipe	05235301	1
10	Water Pump Assy	15405200081	1
11	Right Side Plate Assy	01314100108	1
12	Strainer	0741410000601	2
13	Electronic Expansion Valve	07334468	1
14	Electric Expand Valve Fitting	4304413215	1
15	Liquid Level Switch	43002400000501	1
16	Evaporator Assy	01024100156	1
17	Filter Sub-Assy	111253036	2
18	Choke Plug of Drain Pipe	76712455	2
19	Left Side Plate Sub-Assy	01315200064	1

No.	Model	GMV-ND160PHS/A-T	Qty.
	Product Code	CM810N0250	
	Part Name	Part Code	
20	Water Tray Assy	01285200025	1
21	Bottom Cover Plate Assy	01265200045	1
22	Top Cover Board Sub-assy	01265200082	1
23	Centrifugal Fan	10425200002	2
24	Propeller Housing(Lower)	26905200011	2
25	Brushless DC Motor	15709400008	1
26	Propeller Housing(Upper)	26905200010	2
27	Blower Mounting Plate Sub-Assy	01325200057	1
28	Front Side Plate Sub-Assy	01315200091	1
29	Sensor Sub-assy	39008000103G	1
30	Display Board	30296000040	1
31	Corrugated Pipe	035030000005	1
32	Drain Hose	05232046	1

Above data is subject to change without notice, pls reference the SP in global service website.

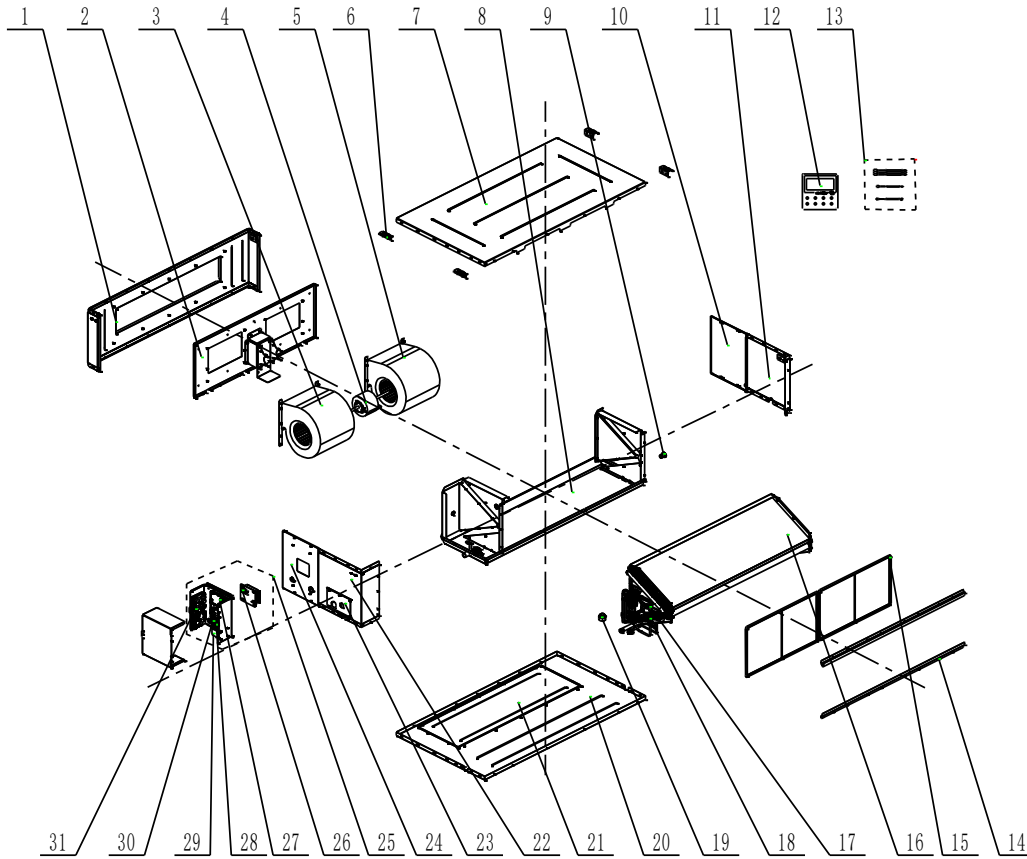
GMV-ND224PH/A-T:



No.	Name of part	For the following unit	
		Unit	Product Code
		GMV-ND224PH/A-T	CM800N3721
		Part code	Quantity
1	Top Cover Board Assy	01265359	1
2	Evaporator Assy	01024100119	1
3	Display Board	30296000040	1
4	Hook	02112466	4
5	Water Tray Assy	000069060067	1
6	Bottom Cover Plate Assy	01265357	1
7	Centrifugal fan assy	15404100051	1
8	Brushless DC Motor	15704100009	1
9	Motor	15705306	1
10	Motor	15705307	1
11	Front Side Plate assy	01314627	1
12	Main Board	30226000064	1
13	Reactor	43130189	1
14	Terminal Board	4201800002601	1
15	Terminal Board	42000100000202	1
16	Main Board	30221000023	1
17	Electric Box Assy	01394100450	1
18	Radiator	9018000068	1
19	Choke Plug of Water Pipe	76815200002	2
20	Sensor Sub-assy	39008000103G	1
21	Filter Sub-Assy	11725211	2
22	Strainer	0741410000601	2
23	Electronic Expansion Valve	07331139	1
24	Electric Expand Valve Fitting	4304413205	1

Above data is subject to change without notice, pls reference the SP in global service website.

Exploded View of GMV-ND280PH/A-T:



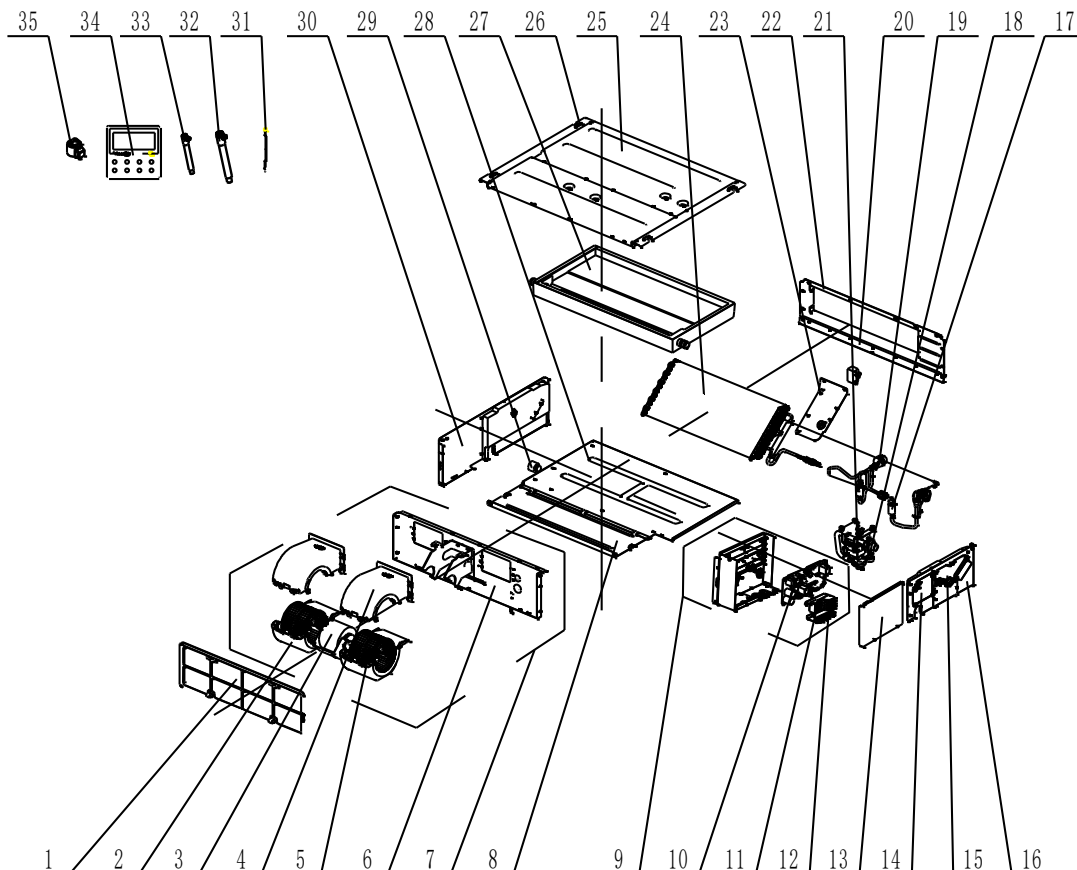
No.	Name of part	For the following unit	
		Unit	Product Code
		GMV-ND280PH/A-T	CM800N3731
		Part code	Quantity
1	Front Side Plate Sub-Assy	01314314	1
2	Blower Mounting Plate Sub-Assy	01324100066	1
3	Blower(Right)	1570411801	1
4	Brushless DC Motor	15704100009	1
5	Blower(Left)	15704118	1
6	Hook	02112466	4
7	Top cover	01264214	1
8	Water Tray Sub-Assy	017055060087P	1
9	Rubber Plug	76815200002	1
10	Left Side Plate 1	01314318	1
11	Left Side Plate 2	01314307	1
12	Display Board	30296000040	1
13	Sensor Sub-assy	39008000103G	1
14	filter guide groove	02284105	2
15	Filter Sub-Assy	11724102	2
16	Evaporator Assy	01024100124	1
17	Electronic Expansion Valve	07331139	1
18	Strainer	0741410000601	2

No.	Name of part	For the following unit	
		Unit	Product Code
		GMV-ND280PH/A-T	CM800N3731
		Part code	Quantity
19	Electric Expand Valve Fitting	4304413205	1
20	Bottom Cover Plate	01264212	1
21	Access plate	02224152	1
22	Right Side Plate 2	01314310	1
23	Seal Of Connection Pipe sub-assy	01494709	1
24	Right Side Plate 1	01314100089	1
25	Electric Box Assy	01394100450	1
26	Radiator	49018000068	1
27	Main Board	30221000023	1
28	Terminal Board	4201800002601	1
29	Reactor	43130189	1
30	Terminal board	42000100000202	1
31	Main Board	30226000064	1

Above data is subject to change without notice, pls reference the SP in global service website.

5.3 Low Static Pressure Duct Type

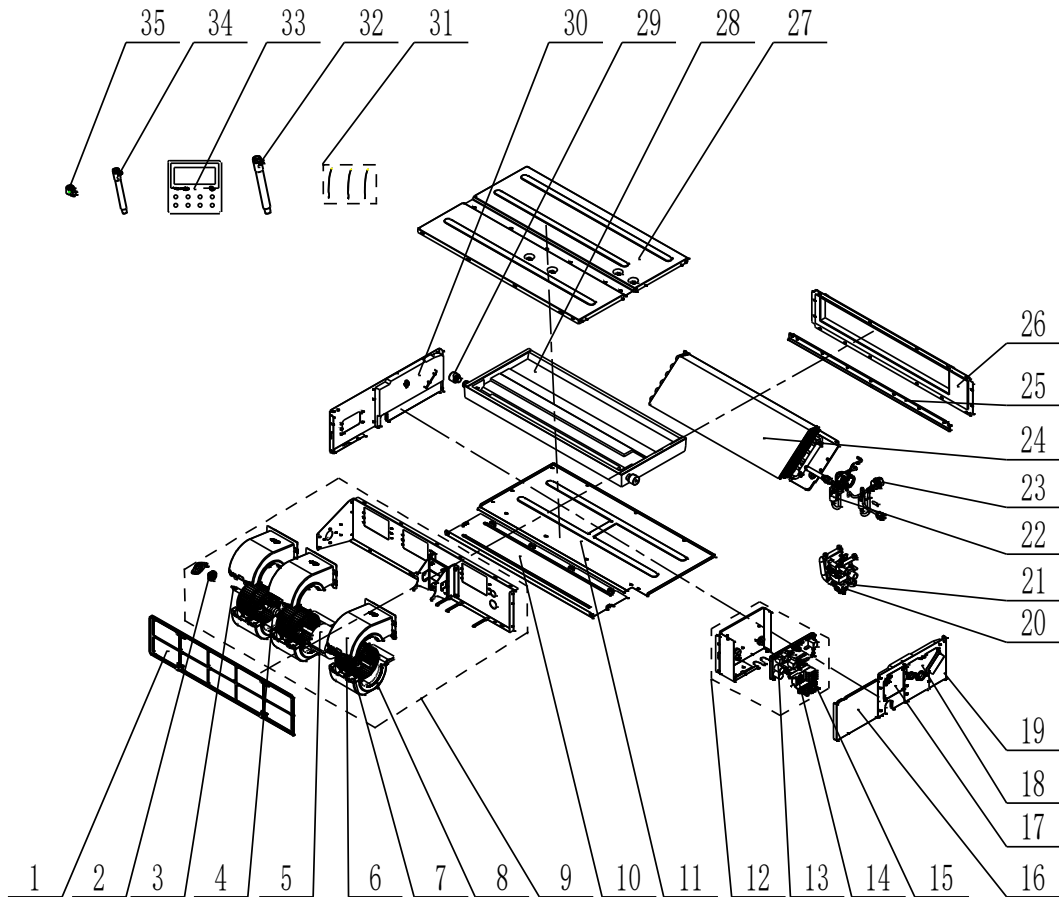
Exploded View of GMV-ND22PLS/A-T, GMV-ND25PLS/A-T, GMV-ND28PLS/A-T, GMV-ND32PLS/A-T, GMV-ND36PLS/A-T:



No.	Name of part	For the following unit		For the following unit	
		Unit	Product Code	Unit	Product Code
		GMV-ND22PLS/A-T	CM800N3370	GMV-ND32PLS/A-T	CM800N3390
		GMV-ND25PLS/A-T	CM800N3380	GMV-ND36PLS/A-T	CM800N3500
		GMV-ND28PLS/A-T	CM800N3490	-	-
		Part code	Quantity	Part code	Quantity
1	Filter Sub-Assy	11725209	1	11725209	1
2	Rear Volute Casing	26905206	2	26905206	2
3	Brushless DC Motor	15704100001	2	15704100001	2
4	Front Volute Casing	26905205	1	26905205	1
5	Centrifugal Fan	10425200	1	10425200	1
6	Supporter(Fan motor)	01804100140	1	01804100140	1
7	Centrifugal fan assy	15404100022	1	15404100022	1
8	Cover board (Blower)	01265300	1	01265300	1
9	Electric Box Assy	01394100204	1	01394100204	1
10	Main Board	30226000029	1	30226000029	1
11	Terminal Board	42011106	1	42011106	1
12	Terminal Board	4201800002601	1	4201800002601	1
13	Electric Box Cover	01424100035	1	01424100035	1
14	Sealplate sub-assy (drainage)	01495315	1	01495315	1
15	Sealplate sub-assy (outlet)	01495316	2	01495316	2
16	Left Side Plate Assy	01315200087	1	01315200087	1
17	Strainer	07213050	1	07213050	1
18	Water Level Switch	45020216	1	45020216	1
19	Electronic Expansion Valve	07334463	1	07334463	1
20	Cover of air outlet	01265298	1	01265298	1
21	Water Pump	43138000068	1	43138000068	1
22	Air Outlet Frame Assy	01374636	1	01374636	1
23	Sealplate sub-assy (evaporator)	01495317	1	01495317	1
24	Evaporator Assy	01024100108	1	01024100109	1
25	Top cover	01265326	2	01265326	2
26	Supporter	01804100145	1	01804100145	1
27	Water Tray Assy	01285332	1	01285332	1
28	Bottom Cover Plate	01265299	2	01265299	2
29	Choke Plug of Drain Pipe	76815214	1	76815214	1
30	Right Side Plate Assy	01315335	2	01315335	2
31	Sensor Sub-assy	39004168G	1	39004168G	1
32	Drain Hose	05232046	1	05232046	1
33	Pump Drainpipe	200070000008	1	200070000008	1
34	Display Board	30296000040	1	30296000040	1
35	Electric Expand Valve Fitting	4304413215	1	4304413215	1

Above data is subject to change without notice, pls reference the SP in global service website.

Exploded View of GMV-ND40PLS/A-T, GMV-ND45PLS/A-T, GMV-ND50PLS/A-T:

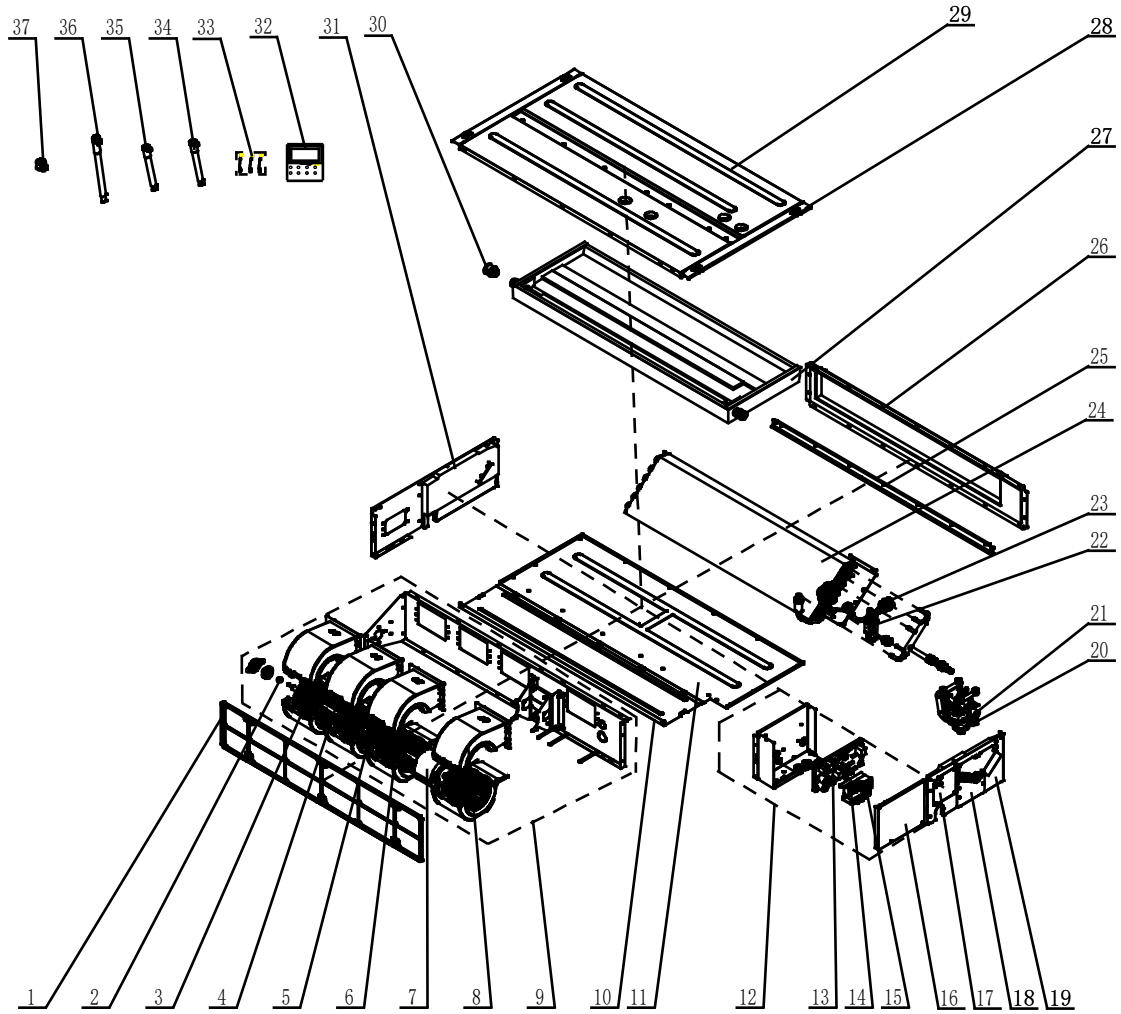


No.	Name of part	For the following unit	
		Unit	Product Code
		GMV-ND40PLS/A-T	CM800N3400
		GMV-ND45PLS/A-T	CM800N3410
		GMV-ND50PLS/A-T	CM800N3420
		Part code	Quantity
1	Filter Sub-Assy	11725210	1
2	Fan Bearing	76512210	1
3	Rotary Axis Sub-Assy	73018020	1
4	Joint Slack	73018731	1
5	Brushless DC Motor	15704100001	1
6	Front Volute Casing	26905205	3
7	Centrifugal Fan	10425200	3
8	Rear Volute Casing	26905206	3
9	Centrifugal fan assy	15404100023	1
10	Cover board (Blower)	01265333	1
11	Bottom Cover Plate	01265332	1
12	Electric Box Assy	01394100204	1
13	Main Board	30226000029	1
14	Terminal Board	42011106	1

No.	Name of part	For the following unit	
		Unit	Product Code
		GMV-ND40PLS/A-T	CM800N3400
		GMV-ND45PLS/A-T	CM800N3410
		GMV-ND50PLS/A-T	CM800N3420
	Part code	Quantity	
15	Terminal Board	4201800002601	1
16	Electric Box Cover	01424100035	1
17	Sealplate sub-assy (drainage)	01495315	1
18	Sealplate sub-assy (outlet)	01495316	1
19	Left Side Plate Assy	01315200087	1
20	Water Pump	43138000068	1
21	Water Level Switch	45020216	1
22	Strainer	0741410000601	2
23	Electronic Expansion Valve	07334466	1
24	Evaporator Assy	01024100110	1
25	Cover of Air Outlet	01265331	1
26	Air Outlet Frame Assy	01374637	1
27	Top cover	01265329	1
28	Water Tray Assy	01285333	1
29	Choke Plug of Drain Pipe	76815214	2
30	Right Side Plate Assy	01305263	1
31	Sensor Sub-assy	39004168G	1
32	Drain Hose	05232046	1
33	Display Board	30296000040	1
34	Pump Drainpipe	200070000008	1
35	Electric Expand Valve Fitting	4304413215	1

Above data is subject to change without notice, pls reference the SP in global service website.

Exploded View of GMV-ND56PLS/A-T、GMV-ND63PLS/A-T:

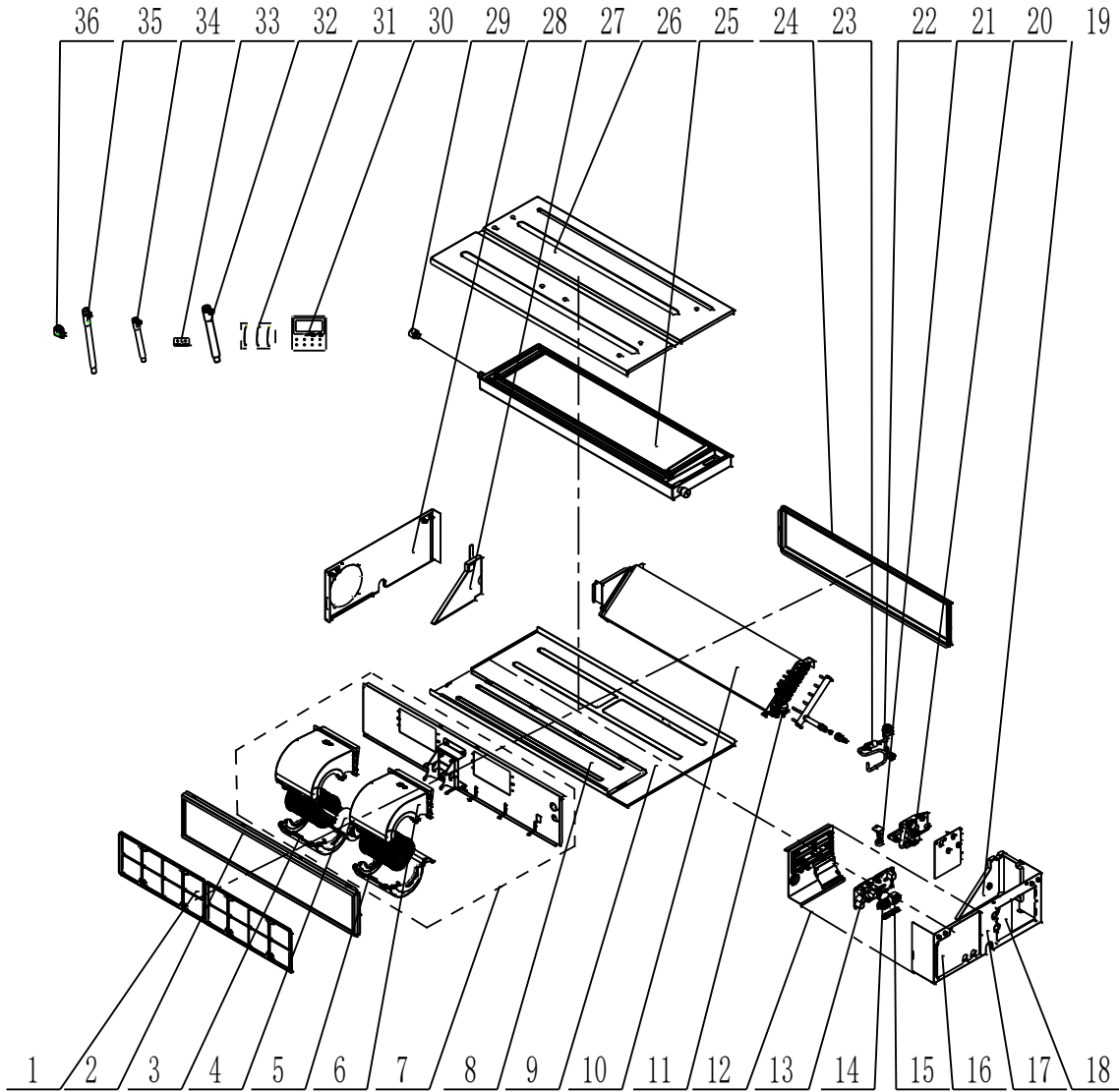


No.	Name of part	For the following unit		For the following unit	
		Unit	Product Code	Unit	Product Code
		GMV-ND56PLS/A-T	CM800N3510	GMV-ND63PLS/A-T	CM800N3430
		Part code	Quantity	Part code	Quantity
1	Filter Sub-Assy	11725208	1	11725208	1
2	Fan Bearing	76512210	1	76512210	1
3	Centrifugal Fan	10425200	3	10425200	3
4	Rotary Axis Sub-Assy	7301800029	1	7301800029	1
5	Joint Slack	73018731	1	73018731	1
6	Rear Volute Casing	26905206	3	26905206	3
7	Fan Motor	15704100001	1	15704100001	1
8	Front Volute Casing	26905205	3	26905205	3
9	Centrifugal fan assy	15404100024	1	15404100024	1
10	Cover board (Fan motor)	01265338	1	01265338	1
11	Bottom Cover Plate	01265337	1	01265337	1
12	Main Board	30226000029	1	30226000029	1
13	Terminal Board	42011106	1	42011106	1
14	Electric Box Assy	01394100204	1	01394100204	1

No.	Name of part	For the following unit		For the following unit	
		Unit	Product Code	Unit	Product Code
		GMV-ND56PLS/A-T	CM800N3510	GMV-ND63PLS/A-T	CM800N3430
		Part code	Quantity	Part code	Quantity
15	Terminal Board	4201800002601	1	4201800002601	1
16	Electric Box Cover	01424100035	1	01424100035	1
17	Sealplate sub-assy (drainage)	01495315	1	01495315	1
18	Sealplate sub-assy (outlet)	01495316	1	01495316	1
19	Left Side Plate Assy	01315200087	1	01315200087	1
20	Water Level Switch	45020216	1	45020216	1
21	Water Pump	43138000068	1	43138000068	1
22	Strainer	0741410000601	2	0741410000601	2
23	Electronic Expansion Valve	07334466	1	07334466	1
24	Evaporator Assy	01024100111	1	01024100111	1
25	Cover of Air Outlet	01265335	1	01265335	1
26	Air Outlet Frame Assy	01374635	1	01374635	1
27	Water Tray Assy	01285334	1	01285334	1
28	Supporter	01895225	2	01895225	2
29	Top Cover Board Assy	01265339	1	1265339	1
30	Choke Plug of Drain Pipe	76815214	2	76815214	2
31	Right Side Plate Assy	01305263	1	01305263	1
32	Display Board	30296000040	1	30296000040	1
33	Sensor Sub-assy	39004168G	1	9004168G	1
34	Drain Hose Sub-Assy	05232050	1	05232050	1
35	Pump Drainpipe	200070000008	1	200070000008	1
36	Corrugated Pipe	05015408	1	05015408	1
37	Electric Expand Valve Fitting	4304413215	1	4304413215	1

Above data is subject to change without notice, pls reference the SP in global service website.

Exploded View of GMV-ND71PLS/A-T, GMV-ND80PLS/A-T:

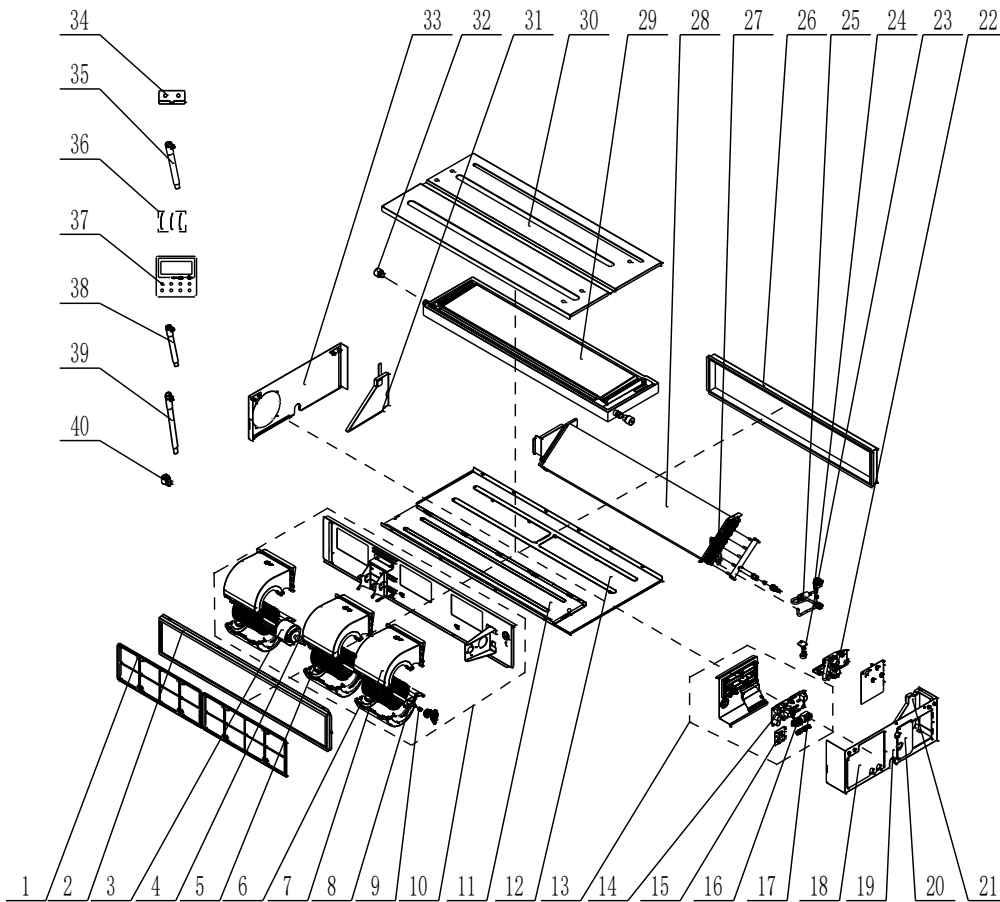


No.	Name of part	For the following unit	
		Unit	Product Code
		GMV-ND71PLS/A-T	CM800N3520
		GMV-ND80PLS/A-T	CM800N3440
		Part code	Quantity
1	Filter Sub-Assy	11725207	2
2	Air Intake Side Board Sub-assy	02225265	1
3	Rear volute casing	26905209	2
4	Brushless DC Motor	15704100001	1
5	Centrifugal fan blade	1041410101	2
6	Front volute casing	26905208	2
7	Centrifugal fan assy	15404100014	1
8	Cover Of Air-In	01265346	1
9	Bottom Cover Plate	01265348	1
10	Evaporator Assy	01024100112	1
11	Strainer	07415210	1

No.	Name of part	For the following unit	
		Unit	Product Code
		GMV-ND71PLS/A-T	CM800N3520
		GMV-ND80PLS/A-T	CM800N3440
		Part code	Quantity
12	Electric Box Assy	01394100205	1
13	Main Board	30226000029	1
14	Terminal Board	4201800002601	1
15	Terminal Board	42011106	1
16	Electric Box Cover	01425262	1
17	Left Side Plate Assy	01315299	1
18	Seal Of Connection Pipe sub-assy	01495238	1
19	Left Air Guard Sub-Assy	12505217	1
20	Water Pump	4313822001	1
21	Water Level Switch	45020216	1
22	Electronic Expansion Valve	07334466	1
23	Strainer	0741410000601	1
24	Air Outlet Side Board assy	02225264	1
25	Water Tray Assy	01285276	1
26	Top Cover Board Assy	01265350	1
27	Right Air Guard Sub-Assy	12505216	1
28	Right Side Plate Assy	01315298	1
29	Choke Plug of Drain Pipe	76815214	2
30	Display Board	30296000040	1
31	Sensor Sub-assy	39004169G	1
32	Drain Hose Sub-Assy	05232050	1
33	Hook	02112466	4
34	Pump Drainpipe	04615487	1
35	Corrugated Pipe	05015408	1
36	Electric Expand Valve Fitting	4304413215	1

Above data is subject to change without notice, pls reference the SP in global service website.

Exploded View of GMV-ND90PLS/A-T, GMV-ND100PLS/A-T, GMV-ND112PLS/A-T, GMV-ND125PLS/A-T, GMV-ND140PLS/A-T:

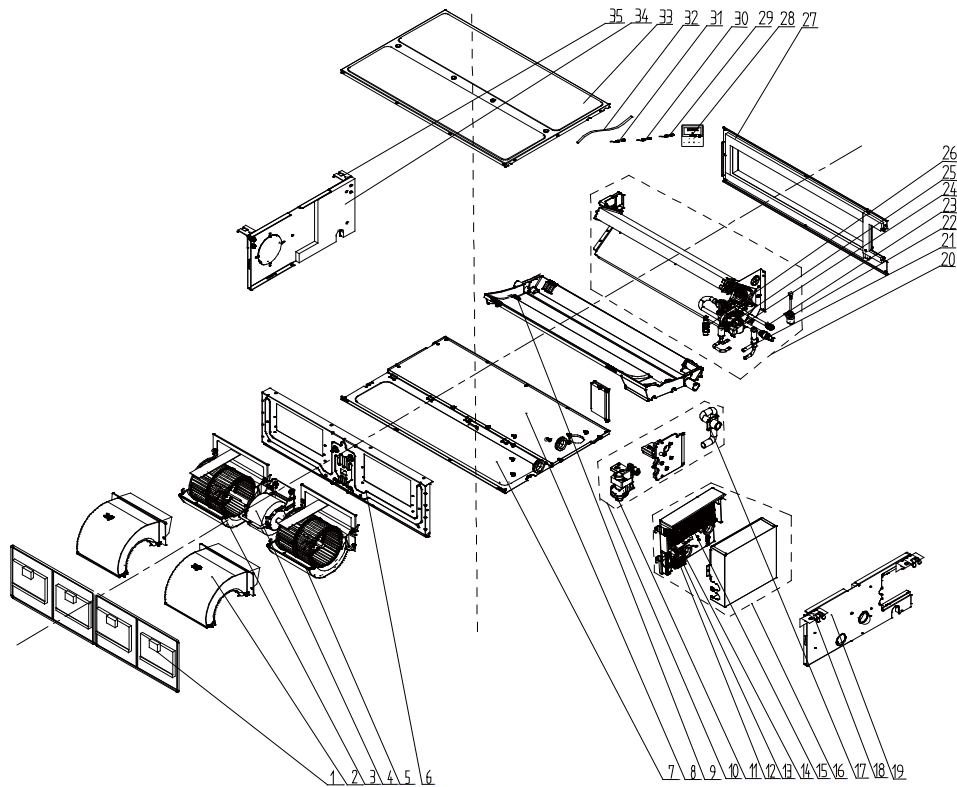


No.	Name of part	For the following unit		For the following unit	
		Unit	Product Code	Unit	Product Code
		GMV-ND90PLS/A-T	CM800N3450	GMV-ND125PLS/A-T	CM800N3480
		GMV-ND100PLS/A-T	CM800N3460	GMV-ND140PLS/A-T	CM800N3470
		GMV-ND112PLS/A-T	CM800N3530	-	-
		Part code	Quantity	Part code	Quantity
1	Filter Sub-Assy	11725206	2	11725206	2
2	Air Intake Side Board Assy	02225271	1	02225271	1
3	Brushless DC Motor	1570520000501	1	1570520000501	1
4	Joint Slack	73018731	1	73018731	1
5	Centrifugal fan blade	1041410101	3	1041410101	3
6	Rear volute casing	26905209	3	26905209	3
7	Front volute casing	26905208	3	26905208	3
8	Rotary Axis Sub-Assy	73018000030	1	73018000030	1
9	Fan Bearing	7651221001	1	7651221001	1
10	Centrifugal fan Assy	1540410001501	1	1540410001501	1
11	Cover Of Air-In	01265344	1	01265344	1
12	Bottom Cover Plate	01265343	1	01265343	1
13	Electric Box Assy	01394100242	1	01394100242	1

No.	Name of part	For the following unit		For the following unit	
		Unit	Product Code	Unit	Product Code
		GMV-ND90PLS/A-T	CM800N3450	GMV-ND125PLS/A-T	CM800N3480
		GMV-ND100PLS/A-T	CM800N3460	GMV-ND140PLS/A-T	CM800N3470
		GMV-ND112PLS/A-T	CM800N3530	-	-
		Part code	Quantity	Part code	Quantity
14	Main Board	30226000030	1	30226000030	1
15	Filter Board	30226000051	1	30226000051	1
16	Terminal Board	42011106	1	42011106	1
17	Terminal Board	4201800002601	1	4201800002601	1
18	Electric Box Cover	01425262	1	01425262	1
19	Right Side Plate Assy	01314100055	1	01314100055	1
20	Seal Of Connection Pipe sub-assy	01495238	1	01495238	1
21	Left Air Guard Sub-Assy	12505217	1	12505217	1
22	Water Pump	4313822001	1	4313822001	1
23	Water Level Switch	45020216	1	45020216	1
24	Electronic Expansion Valve	07334468	1	07334468	1
25	Strainer	0741410000601	1	0741410000601	1
26	Border Plate of Air outlet Sub-Assy	02225270	1	02225270	1
27	Strainer	07415210	1	07415210	1
28	Evaporator Assy	01024100106	1	01024100107	1
29	Water Tray Assy	01285275	1	01285275	1
30	Top Cover Board Assy	0126534901	1	0126534901	1
31	Right Air Guard Sub-Assy	12505216	1	12505216	1
32	Choke Plug of Drain Pipe	76815214	2	76815214	2
33	Left Side Plate Assy	01315299	1	01315299	1
34	Hook	02112466	4	02112466	4
35	Drain Hose Sub-Assy	05232050	1	05232050	1
36	Sensor Sub-assy	39004169G	1	39004169G	1
37	Display Board	30296000040	1	30296000040	1
38	Pump Drainpipe	04615487	1	04615487	1
39	Corrugated Pipe	05015408	1	05015408	1
40	Electric Expand Valve Fitting	4304413215	1	4304413215	1

Above data is subject to change without notice, pls reference the SP in global service website.

Exploded View of GMV-ND18PLS/C-T、GMV-ND22PLS/C-T、GMV-ND25PLS/C-T、
GMV-ND28PLS/C-T:

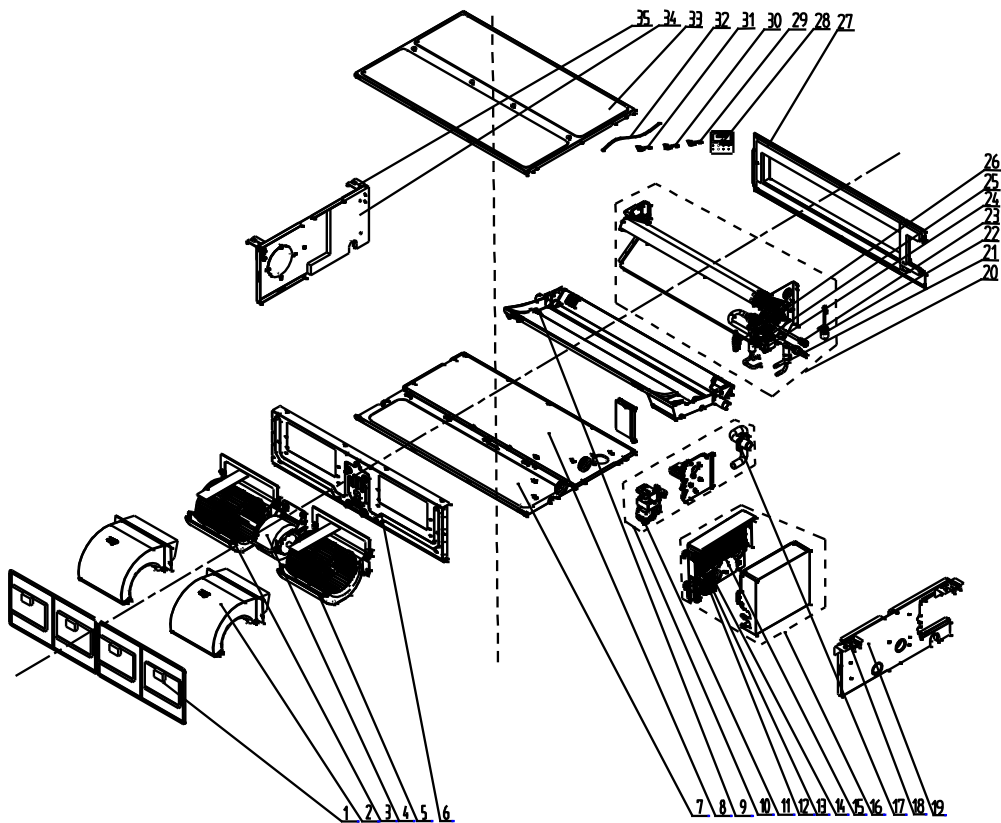


No.	Name of part	For the following unit	
		Unit	Product Code
		GMV-ND18PLS/C-T	CM810N2030
		GMV-ND22PLS/C-T	CM810N1800
		GMV-ND25PLS/C-T	CM810N1810
		GMV-ND28PLS/C-T	CM810N1770
		Part code	Quantity
1	Filter Sub-Assy	111001000082	2
2	Propeller Housing(Upper)	26905200018	2
3	Centrifugal Fan	10425200003	2
4	Brushless DC Motor	150104060010	1
5	Propeller Housing(Lower)	26905200019	2
6	Blower Mounting Plate Sub-Assy	01325200034	1
7	Cover Plate(Air return)	01265200055	1
8	Bottom Cover Plate Assy	01265200065	1
9	Water Tray Assy	01285200020	1
10	Water Pump Assy	000104060009	1
11	Water Pump	812007060016	1
12	Electric Box Assy	100002063081	1
13	Main Board	300002060297	1
14	Terminal Board	42200006000401	1
15	Terminal Board	42011106	1
16	Main Board	300002060289	1
17	Drainage Pipe(Rubber)	760022000001	1
18	Hook 2	01344100034	2
19	Left Side Plate Assy	000080000009	1
20	Evaporator Assy	01025200185	1

No.	Name of part	For the following unit	
		Unit	Product Code
		GMV-ND18PLS/C-T	CM810N2030
		GMV-ND22PLS/C-T	CM810N1800
		GMV-ND25PLS/C-T	CM810N1810
		GMV-ND28PLS/C-T	CM810N1770
		Part code	Quantity
21	Electronic Expansion Valve	07334463	1
22	Liquid Level Switch	430024000005	1
23	Sealing Cap(Pressure Warning)	26112192	1
24	Electric Expand Valve Fitting	4304413253	1
25	Strainer	07213050	1
26	Strainer	0721200102	1
27	Air Outlet Frame Assy	01374100057	1
28	Display Board	30296000040	1
29	Temperature Sensor	3900005910	1
30	Temperature Sensor	390000595	1
31	Temperature Sensor	390000456	1
32	Drain Hose Sub-Assy	007008000001	1
33	Top Cover Board Assy	01265200066	1
34	Right Side Plate Assy	01315200053	1
35	Hook	01344100034	2

Above data is subject to change without notice, pls reference the SP in global service website.

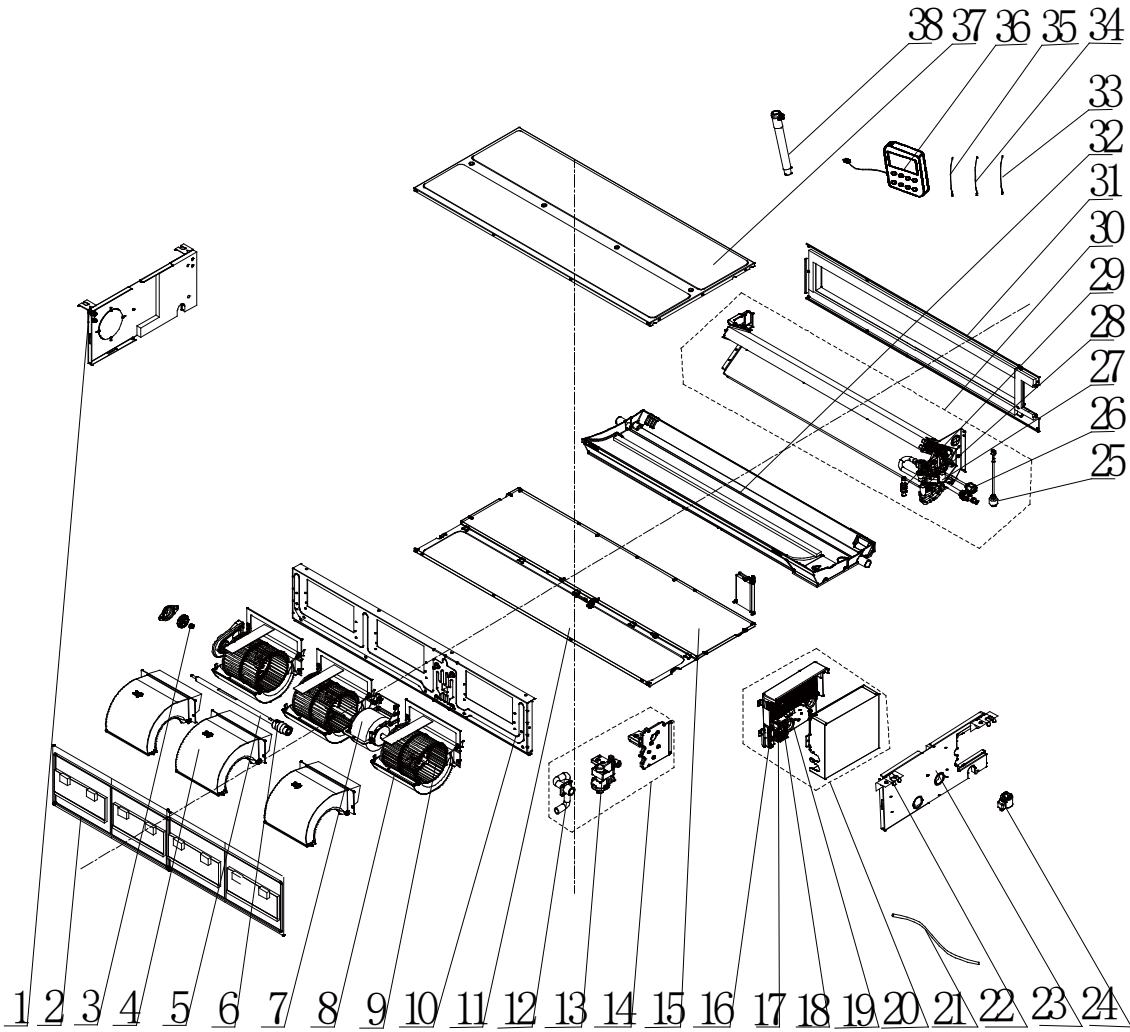
Exploded View of GMV-ND32PLS/C-T、GMV-ND36PLS/C-T:



No.	Name of part	For the following unit	
		Unit	Product Code
		GMV-ND32PLS/C-T	CM810N1820
		GMV-ND36PLS/C-T	CM810N1760
		Part code	Quantity
1	Filter Sub-Assy	111001000082	2
2	Propeller Housing(Upper)	26905200018	2
3	Centrifugal Fan	10425200003	2
4	Brushless DC Motor	150104060010	1
5	Propeller Housing(Lower)	26905200019	2
6	Blower Mounting Plate Sub-Assy	01325200034	1
7	Cover Plate(Air return)	01265200055	1
8	Bottom Cover Plate Assy	01265200065	1
9	Water Tray Assy	01285200020	1
10	Water Pump Assy	000104060009	1
11	Water Pump	812007060016	1
12	Electric Box Assy	100002063081	1
13	Main Board	300002060297	1
14	Terminal Board	42200006000401	1
15	Terminal Board	42011106	1
16	Main Board	300002060289	1
17	Drainage Pipe(Rubber)	760022000001	1
18	Hook 2	01344100034	2
19	Left Side Plate Assy	000080000009	1
20	Evaporator Assy	01024100192	1
21	Electronic Expansion Valve	07334463	1
22	Liquid Level Switch	430024000005	1
23	Sealing Cap(Pressure Warning)	26112192	1
24	Electric Expand Valve Fitting	4304413253	1
25	Strainer	07213050	1
26	Strainer	0721200102	1
27	Air Outlet Frame Assy	01374100057	1
28	Display Board	30296000040	1
29	Temperature Sensor	3900005910	1
30	Temperature Sensor	390000595	1
31	Temperature Sensor	390000456	1
32	Drain Hose Sub-Assy	007008000001	1
33	Top Cover Board Assy	01265200066	1
34	Right Side Plate Assy	01315200053	1
35	Hook	01344100034	2

Above data is subject to change without notice, pls reference the SP in global service website.

Exploded View of GMV-ND40PLS/C-T、GMV-ND45PLS/C-T:

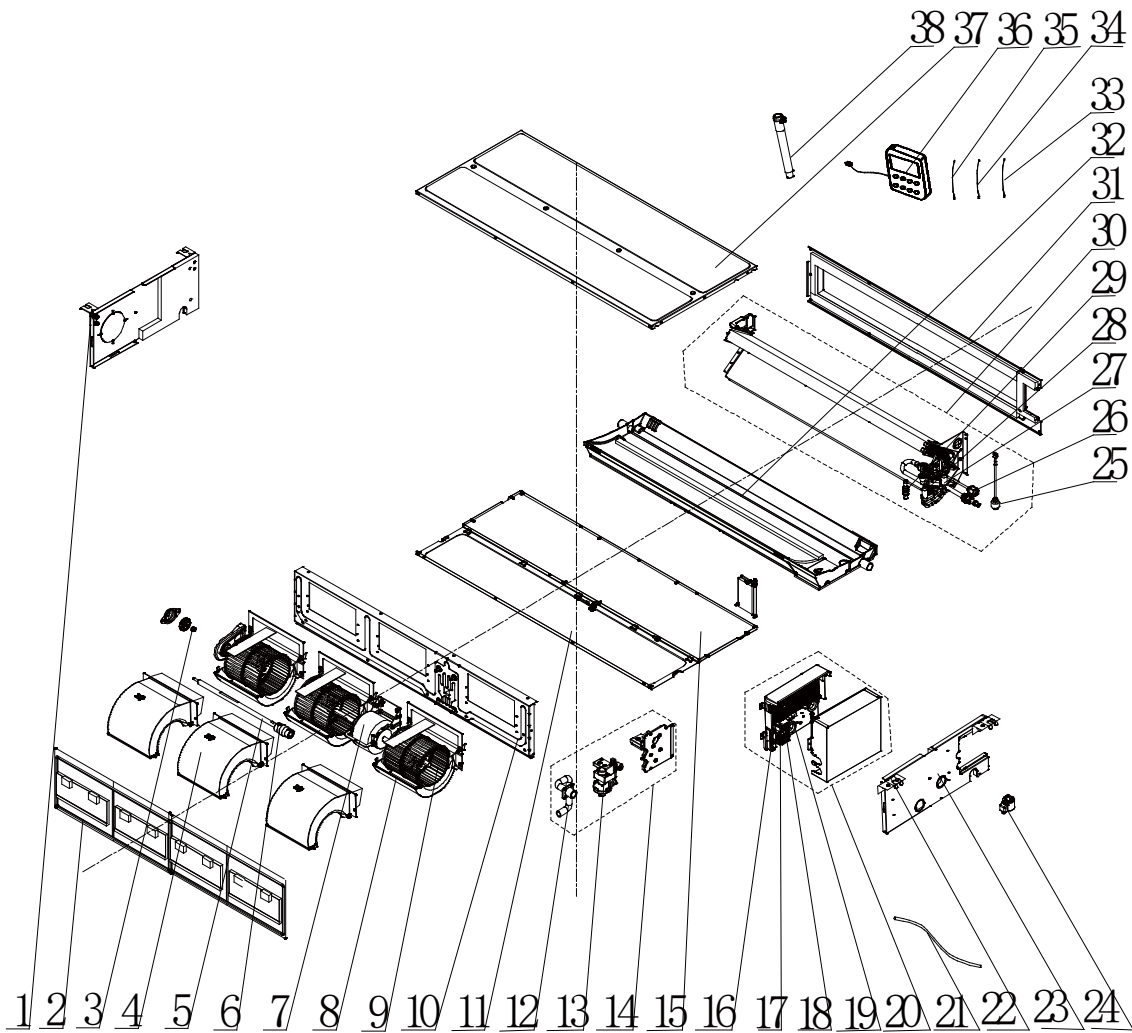


No.	Name of part	For the following unit	
		Unit	Product Code
		GMV-ND40PLS/C-T	CM810N1830
		GMV-ND45PLS/C-T	CM810N1740
		Part code	Quantity
1	Hook	01344100034	2
2	Filter Sub-Assy	111253038	2
3	Fan Bearing	7651221001	1
4	Propeller Housing(Upper)	26905200018	3
5	Rotary Axis Sub-Assy	73018761	1
6	Joint Slack	73018731	1
7	Brushless DC Motor	150104060010	1
8	Propeller Housing(Lower)	26905200019	3
9	Centrifugal Fan	10425200003	3
10	Blower Mounting Plate Sub-Assy	01325200035	1
11	Cover Of Air-In	01265200073	1
12	Drainage Pipe(Rubber)	760022000001	1
13	Water Pump	812007060016	1
14	Water Pump Assy	000104060009	1
15	Bottom Cover Plate Assy	01265200071	1
16	Main Board	300002060297	1
17	Terminal Board	42200006000401	1

No.	Name of part	For the following unit	
		Unit	Product Code
		GMV-ND40PLS/C-T	CM810N1830
		GMV-ND45PLS/C-T	CM810N1740
		Part code	Quantity
18	Terminal Board	42011106	1
19	Main Board	300002060289	1
20	Electric Box Assy	100002063081	1
21	Drain Hose Sub-Assy	007008000001	1
22	Hook 2	01344100034	2
23	Left Side Plate Assy	000080000009	1
24	Electric Expand Valve Fitting	4304413253	1
25	Liquid Level Switch	430024000005	1
26	Sealing Cap(Pressure Warning)	26112192	1
27	Strainer	07213050	1
28	Electronic Expansion Valve	07334466	1
29	Strainer	0721200102	1
30	Evaporator Assy	01024100193	1
31	Air Outlet Frame Assy	01374100058	1
32	Water Tray Assy	01285200022	1
33	Temperature Sensor	3900005910	1
34	Temperature Sensor	390000595	1
35	Temperature Sensor	390000456	1
36	Display Board	30296000040	1
37	Top Cover Board Assy	01265200068	1
38	Corrugated Pipe	/	/

Above data is subject to change without notice, pls reference the SP in global service website.

Exploded View of GMV-ND50PLS/C-T、GMV-ND56PLS/C-T、GMV-ND63PLS/C-T:

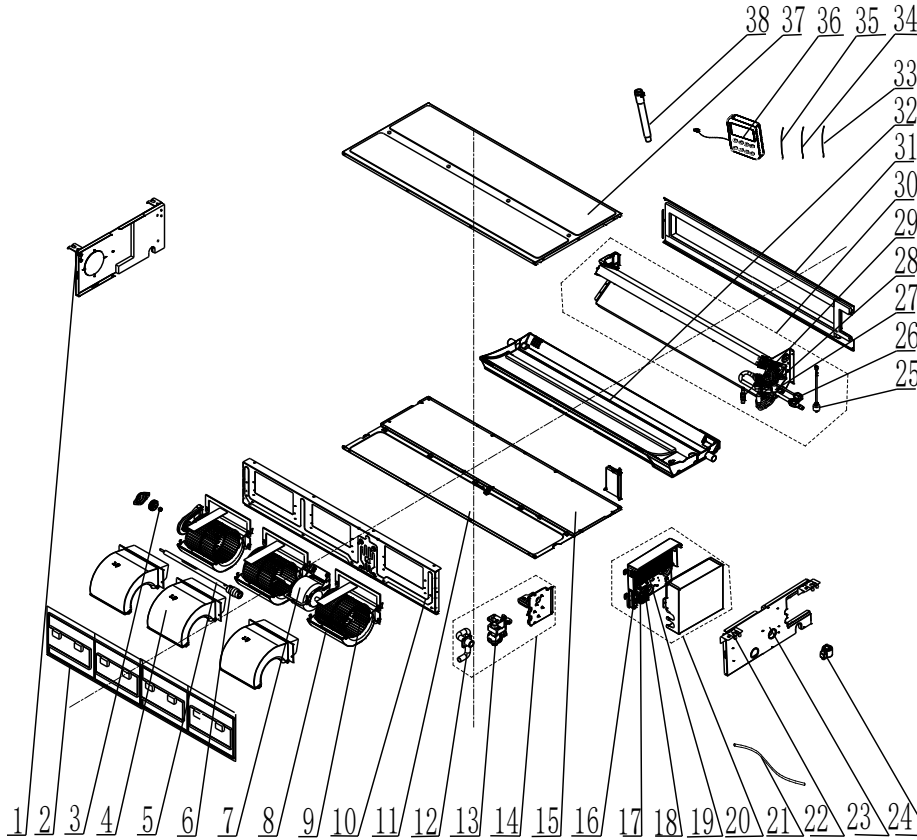


No.	Name of part	For the following unit	
		Unit	Product Code
		GMV-ND50PLS/C-T	CM810N1840
		GMV-ND56PLS/C-T	CM810N1850
		GMV-ND63PLS/C-T	CM810N1730
		Part code	Quantity
1	Hook	01344100034	2
2	Filter Sub-Assy	111253038	2
3	Fan Bearing	7651221001	1
4	Propeller Housing(Upper)	26905200018	3
5	Rotary Axis Sub-Assy	73018761	1
6	Joint Slack	73018731	1
7	Brushless DC Motor	150104060009	1
8	Propeller Housing(Lower)	26905200019	3
9	Centrifugal Fan	10425200003	3
10	Blower Mounting Plate Sub-Assy	01325200035	1
11	Cover Of Air-In	01265200073	1
12	Drainage Pipe(Rubber)	76002200001	1
13	Water Pump	812007060016	1
14	Water Pump Assy	000104060009	1
15	Bottom Cover Plate Assy	01265200071	1
16	Main Board	300002060299	1

No.	Name of part	For the following unit	
		Unit	Product Code
		GMV-ND50PLS/C-T	CM810N1840
		GMV-ND56PLS/C-T	CM810N1850
		GMV-ND63PLS/C-T	CM810N1730
		Part code	Quantity
17	Terminal Board	42200006000401	1
18	Terminal Board	42011106	1
19	Main Board	300002060289	1
20	Electric Box Assy	100002063082	1
21	Drain Hose Sub-Assy	007008000001	1
22	Hook 2	01344100034	2
23	Left Side Plate Assy	000080000009	1
24	Electric Expand Valve Fitting	4304413253	1
25	Liquid Level Switch	430024000005	1
26	Sealing Cap(Pressure Warning)	2611219201	1
27	Strainer	07213050	1
28	Electronic Expansion Valve	07334466	1
29	Strainer	0721200102	1
30	Evaporator Assy	01024100194	1
31	Air Outlet Frame Assy	01374100058	1
32	Water Tray Assy	01285200022	1
33	Temperature Sensor	3900005910	1
34	Temperature Sensor	390000595	1
35	Temperature Sensor	390000456	1
36	Display Board	30296000040	1
37	Top Cover Board Assy	01265200068	1
38	Corrugated Pipe	05015408	1

Above data is subject to change without notice, pls reference the SP in global service website.

Exploded View of GMV-ND71PLS/C-T:

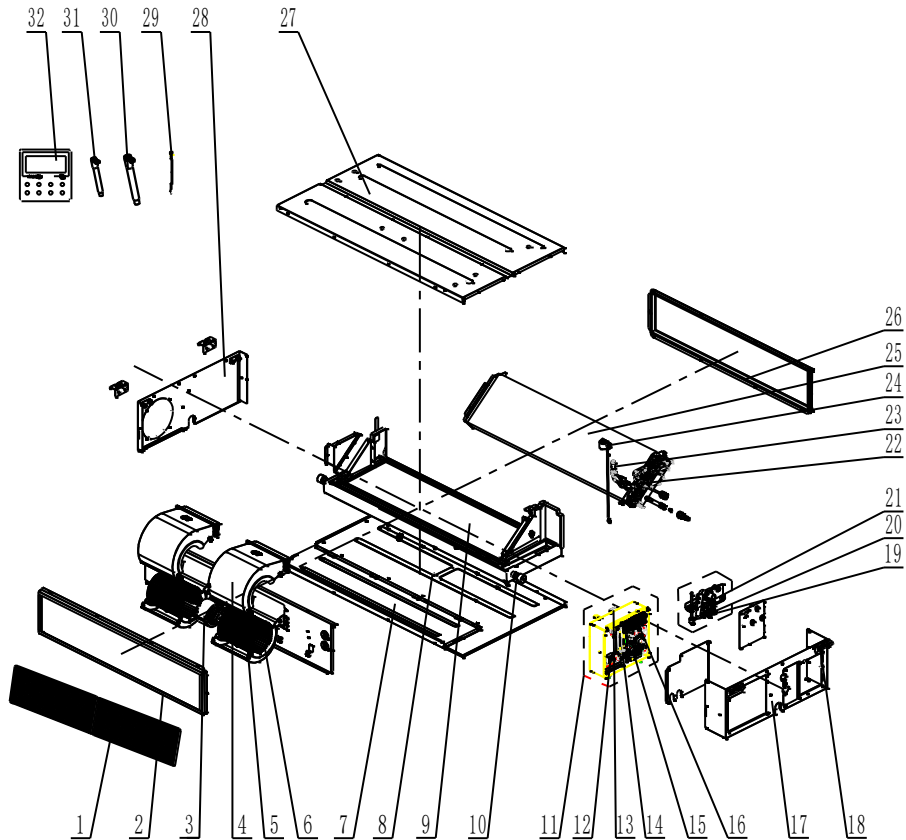


No.	Name of part	For the following unit	
		Unit	Product Code
		GMV-ND71PLS/C-T	CM810N1750
		Part code	Quantity
1	Hook	01344100034	2
2	Filter Sub-Assy	111253039	2
3	Fan Bearing	7651221001	1
4	Propeller Housing(Upper)	26905200018	4
5	Brushless DC Motor	150104060011	1
6	Centrifugal Fan	10425200003	4
7	Propeller Housing(Lower)	26905200019	4
8	Joint Slack	73018731	2
9	Rotary Axis Sub-Assy	73018761	2
10	Blower Mounting Plate Sub-Assy	01325200053	1
11	cover plate Assy for air returning	011657060059	1
12	Drainage Pipe(Rubber)	760022000001	1
13	Water Pump	812007060016	1
14	Water Pump Assy	000104060009	1
15	Bottom Cover Plate Assy	01265200093	1
16	Main Board	300002060300	1
17	Terminal Board	42011106	1
18	Terminal Board	42200006000401	1
19	Main Board	300002060289	1
20	Electric Box Assy	100002063083	1
21	Electric Expand Valve Fitting	4304413253	1

No.	Name of part	For the following unit	
		Unit	Product Code
		GMV-ND71PLS/C-T	CM810N1750
		Part code	Quantity
22	Hook 2	01344100034	2
23	Left Side Plate Assy	00008000009	1
24	Corrugated Pipe	05015408	1
25	Water Tray Assy	01285200029	1
26	Liquid Level Switch	430024000005	1
27	Sealing Cap(Pressure Warning)	2611219201	1
28	Strainer	0721200102	1
29	Electronic Expansion Valve	07334466	1
30	Strainer	07213050	1
31	Evaporator Assy	01024100195	1
32	Air Outlet Frame Assy	01374100059	1
33	Temperature Sensor	3900005910	1
34	Temperature Sensor	390000595	1
35	Temperature Sensor	390000456	1
36	Display Board	30296000040	1
37	Drain Hose Sub-Assy	007008000001	1
38	Top Cover Board Assy	0126520009201	1

Above data is subject to change without notice, pls reference the SP in global service website.

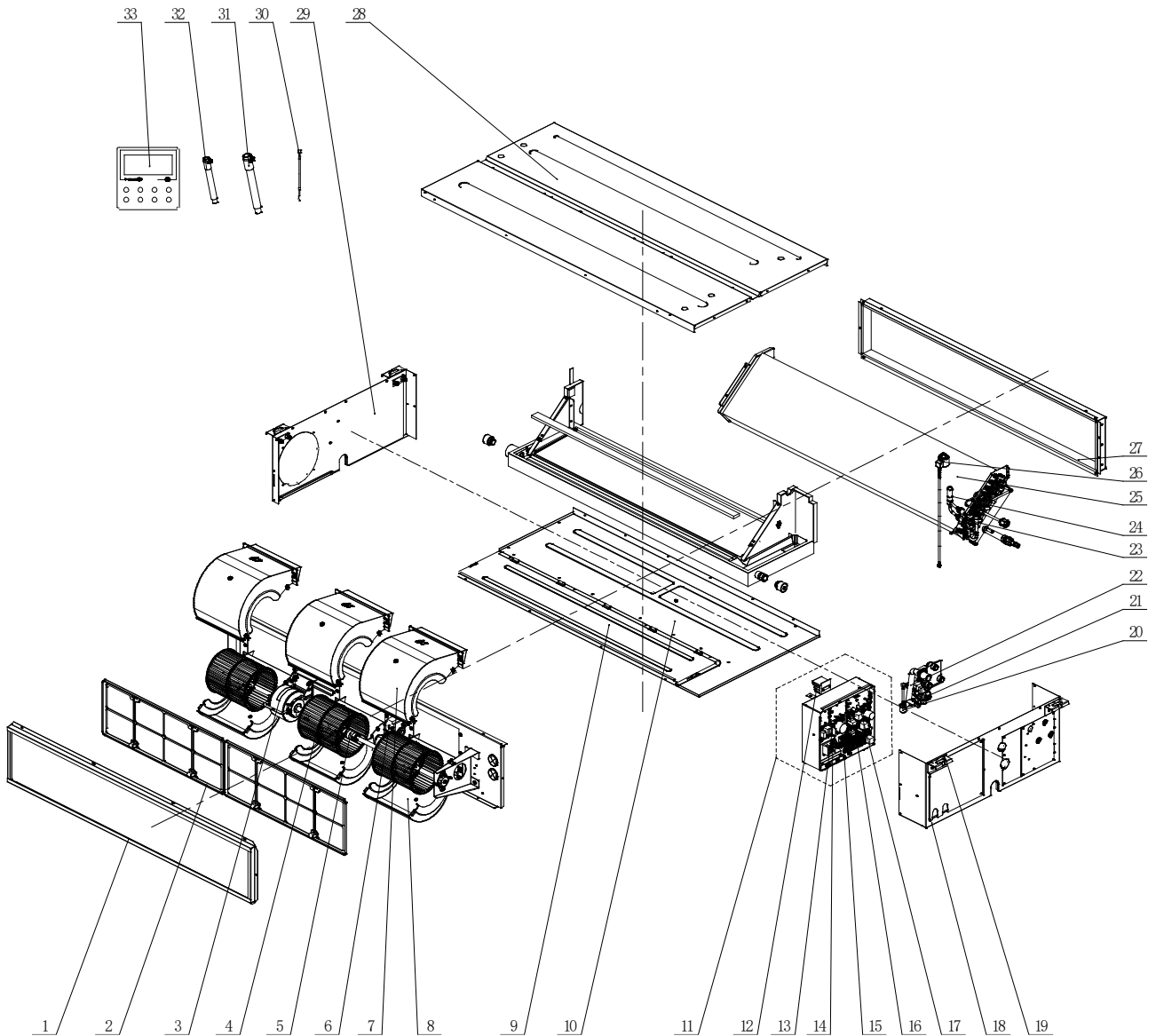
Exploded View of GMV-ND80PLS/C-T:



No.	Name of part	For the following unit	
		Unit	Product Code
		GMV-ND80PLS/C-T	CM810N1920
		Part code	Quantity
1	Filter Sub-Assy	11725207	2
2	Air Intake Side Board Sub-assy	02225265	1
3	Brushless DC Motor	150104060011	1
4	Volute Casing	200230060003	2
5	Centrifugal Fan	103003060003	2
6	Volute Casing	200230060004	2
7	Cover Of Air-In	01265346	1
8	Bottom Cover Plate	01265348	1
9	Water Tray Assy	01285276	1
10	Choke Plug of Drain Pipe	76815214	2
11	Electric Box Assy	100006060003	1
12	Terminal Board	42011106	1
13	Radiator	430034060043	1
14	Terminal Board	42200006000401	1
15	Main Board	300002060289	1
16	Main Board	300002060499	1
17	Right Side Plate Assy	01315298	1
18	Hook	02112466	4
19	Water Pump	4313822001	1
20	Water Level Switch	43002400000502	1
21	Pump Drainpipe	04615487	1
22	Strainer	0721304401	2
23	Electronic Expansion Valve	07334466	1
24	Electric Expand Valve Fitting	4304413215	1
25	Evaporator Assy	011001060429	1
26	Air Outlet Side Board assy	02225264	1
27	Top Cover Board Assy	01265350	1
28	Left Side Plate Assy	01315299	1
29	Sensor Sub-assy	39004169G	1
30	Drain Hose	05232046	1
31	Corrugated Pipe	05015408	1
32	Display Board	30296000040	1

Above data is subject to change without notice, pls reference the SP in global service website.

Exploded View of GMV-ND90PLS/C-T, GMV-ND100PLS/C-T, GMV-ND112PLS/C-T

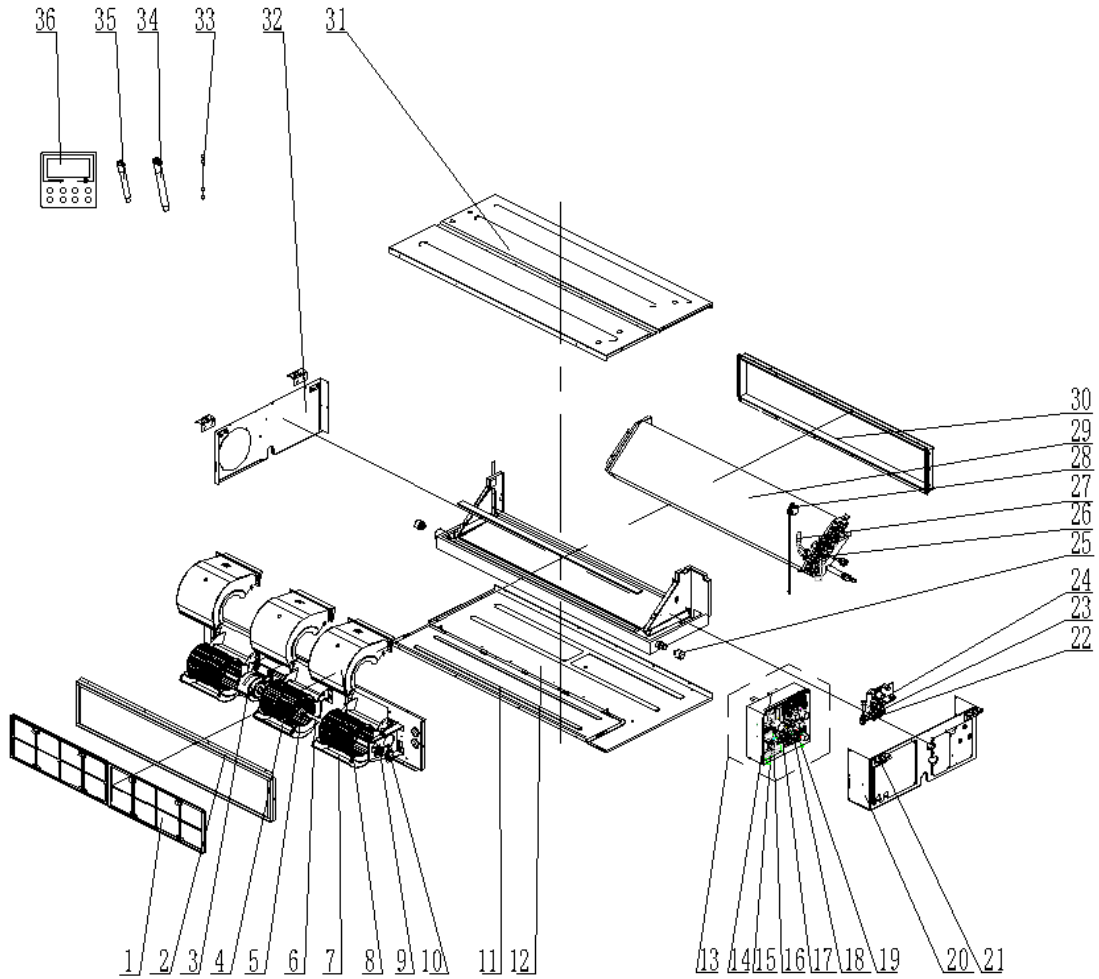


No.	Name of part	For the following unit	
		Unit	Product Code
		GMV-ND90PLS/C-T	CM810N1960
		GMV-ND100PLS/C-T	CM810N1970
		GMV-ND112PLS/C-T	CM810N1950
		Part code	Quantity
1	Filter Sub-Assy	11725206	2
2	Air Intake Side Board Sub-Assy	02225261	1
3	Brushless DC Motor	150104060015	1
4	Centrifugal Fan	103003060003	3
5	Joint Slack	73018731	1
6	Inductance	4312800001403	1
7	Volute Casing	200230060004	3
8	Volute Casing	200230060003	3
9	Cover Of Air-In	01265344	1

No.	Name of part	For the following unit	
		Unit	Product Code
		GMV-ND90PLS/C-T	CM810N1960
		GMV-ND100PLS/C-T	CM810N1970
		GMV-ND112PLS/C-T	CM810N1950
	Part code	Quantity	
10	Bottom Cover Plate	01265343	1
11	Electric Box Assy	100002064928	1
12	Radiator	430034060043	1
13	Filter Board	300020060016	1
14	Terminal Board	42011106	1
15	Terminal Board	42200006000401	1
16	Main Board	300002060459	1
17	Main Board	300002060399	1
18	Right Side Plate Assy	01315282	1
19	Hook	02112466	4
20	Water Pump	4313822001	1
21	Water Level Switch	43002400000502	1
22	Pump Drainpipe	04615487	1
23	Strainer	0721304401	2
24	Electronic Expansion Valve	07334468	1
25	Evaporator Assy	011001060474	1
26	Electric Expand Valve Fitting	4304413215	1
27	Air Outlet Side Board Assy	02225270	1
28	Top Cover Board Assy	0126534901	1
29	Left Side Plate Assy	01315299	1
30	Sensor Sub-Assy	39004169G	1
31	Drain Hose Sub-Assy	05232050	1
32	Corrugated Pipe	05015408	1
33	Display Board	30296000040	1

Above data is subject to change without notice, pls reference the SP in global service website.

Exploded View of GMV-ND125PLS/C-T, GMV-ND140PLS/C-T:

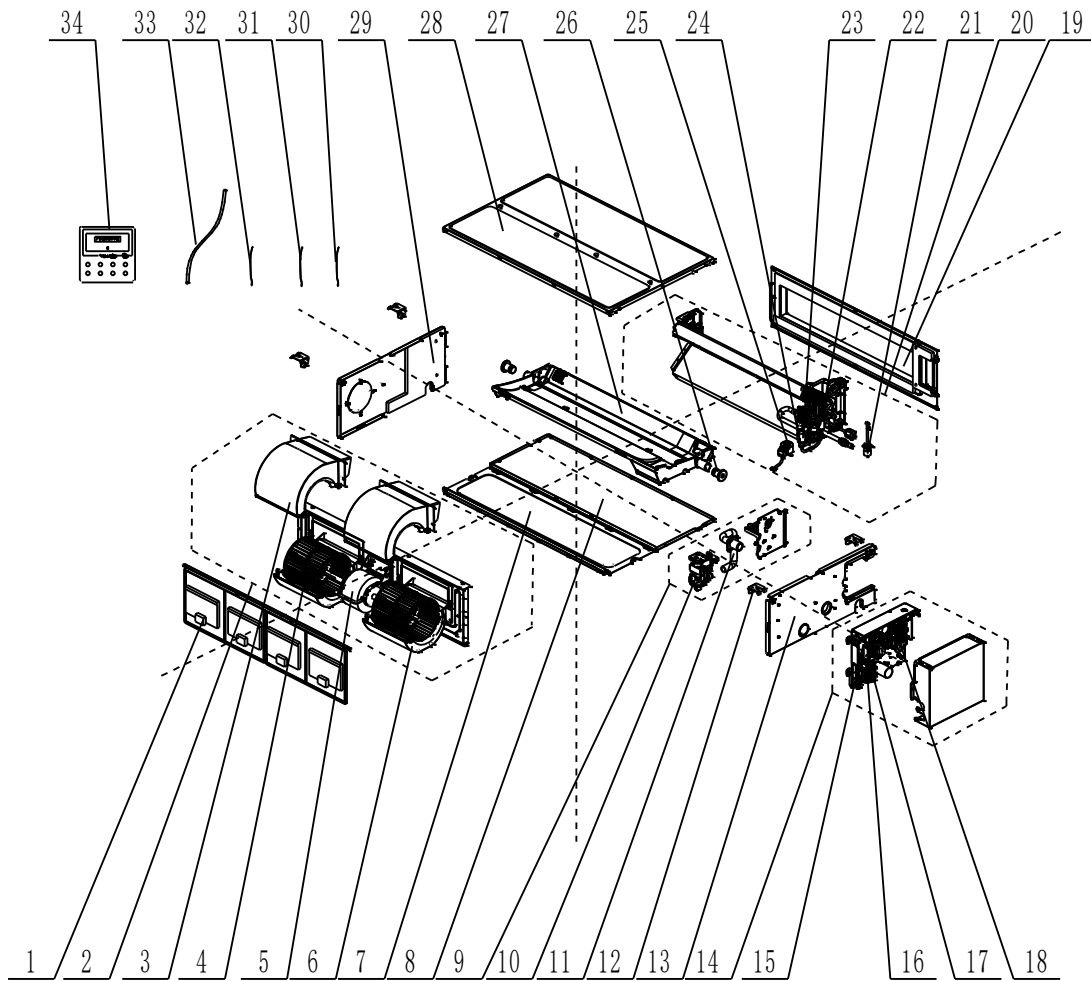


No.	Name of part	For the following unit	
		Unit	Product Code
		GMV-ND125PLS/C-T	CM810N1940
		GMV-ND140PLS/C-T	CM810N1930
		Part code	Quantity
1	Filter Sub-Assy	11725206	2
2	Air Intake Side-Board Sub-Assy	02225261	1
3	Brushless DC Motor	150104060015	1
4	Centrifugal Fan	103003060003	3
5	Joint Slack	73018731	1
6	Rotary Axis Sub-Assy	700003060004	1
7	Volute Casing	200230060004	3
8	Volute Casing	200230060003	3
9	Bearing Holder Sub-Assy	26151139	1
10	Support Of Motor Bearing	02285200001	1
11	Cover Of Air-In	01265344	1
12	Bottom Cover Plate	01265343	1
13	Electric Box Assy	100002064928	1
14	Radiator	430034060043	1

No.	Name of part	For the following unit	
		Unit	Product Code
		GMV-ND125PLS/C-T	CM810N1940
		GMV-ND140PLS/C-T	CM810N1930
		Part code	Quantity
15	Terminal Board	42011106	1
16	Filter Board	300020060016	1
17	Terminal Board	42200006000401	1
18	Main Board	300002060459	1
19	Main Board	300002060399	1
20	Right Side Plate Assy	01315282	1
21	Hook	02112466	4
22	Water Level Switch	43002400000502	1
23	Water Pump	4313822001	1
24	Pump Drainpipe	04615487	1
25	Choke Plug of Drain Pipe	76815214	-
26	Strainer	0721304401	1
27	Electronic Expansion Valve	07334468	1
28	Electric Expand Valve Fitting	4304413215	1
29	Evaporator Assy	011001060443	1
30	Air Intake Side Board Assy	02225271	1
31	Top Cover Board Assy	0126534901	1
32	Left Side Plate Assy	01315299	1
33	Sensor Sub-Assy	39004169G	1
34	Drain Hose Sub-Assy	05232050	1
35	Corrugated Pipe	05015408	1
36	Display Board	30296000040	1

Above data is subject to change without notice, pls reference the SP in global service website.

Exploded View of GMV-ND18PLS/C1-T、GMV-ND22PLS/C1-T、GMV-ND25PLS/C1-T、GMV-ND28PLS/C1-T、GMV-ND32PLS/C1-T、GMV-ND36PLS/C1-T:

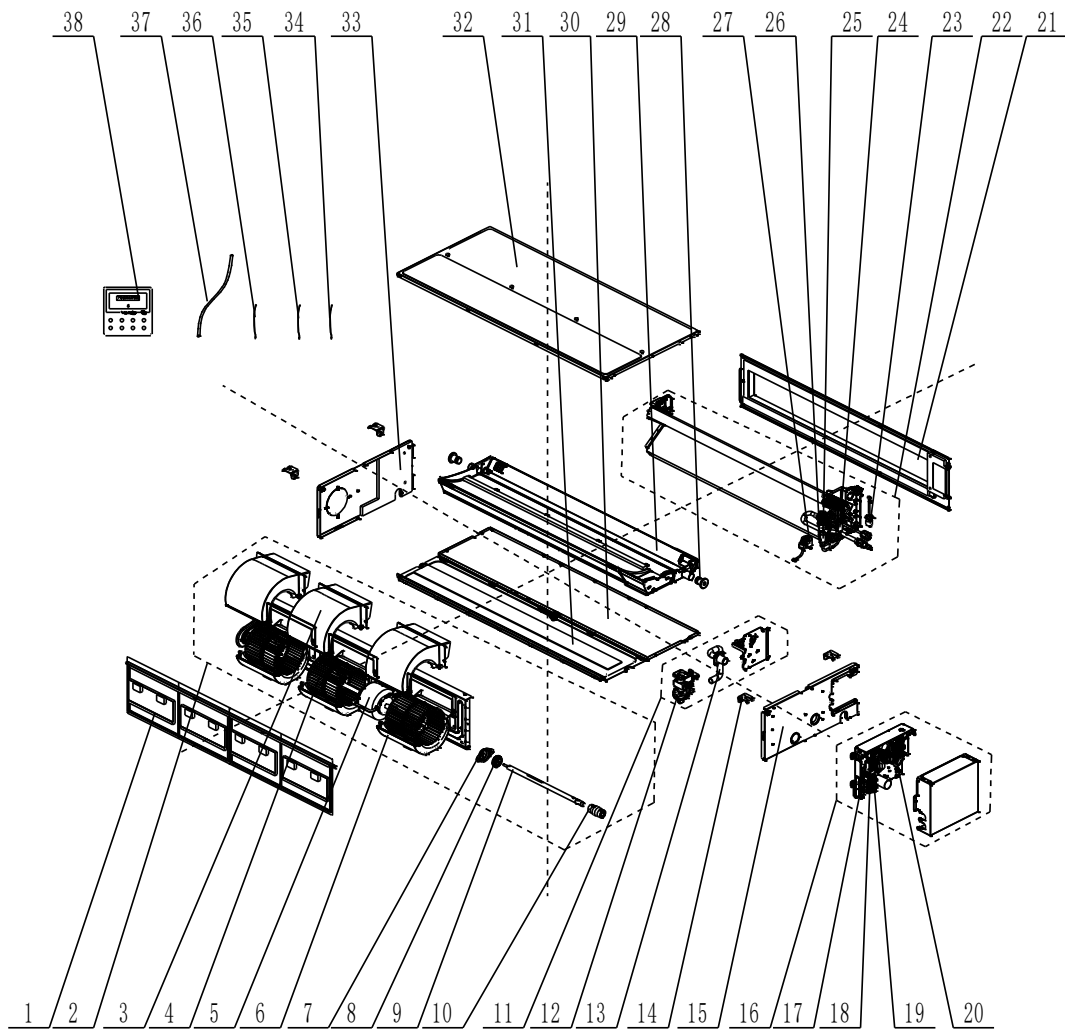


No.	Name of part	For the following unit			
		Unit	Product Code	Unit	Product Code
		GMV-ND18PLS/C1-T	CM810N2610	GMV-ND32PLS/C1-T	CM810N2640
		GMV-ND22PLS/C1-T	CM810N2620	GMV-ND36PLS/C1-T	CM810N2570
		GMV-ND25PLS/C1-T	CM810N2630	—	—
		GMV-ND28PLS/C1-T	CM810N2580	—	—
		Part code	Quantity	Part code	Quantity
1	Filter Sub-Assy	111001000082	2	111001000082	2
2	Centrifugal fan assy	000052060087	1	000052060087	1
3	Propeller Housing(Upper)	26905200018	2	26905200018	2
4	Centrifugal Fan	10425200003	2	10425200003	2
5	Brushless DC Motor	150104060010	1	150104060010	1
6	Propeller Housing(Lower)	26905200019	2	26905200019	2
7	Cover Plate Sub-Assy	011657000030	1	011657000030	1
8	Cover Plate (Top)	01265200055	1	01265200055	1
9	Water Pump Assy	000104060009	1	000104060009	1
10	Water Pump	812007060016	1	812007060016	1
11	Drainage Pipe(Rubber)	760022000001	1	760022000001	1
12	Hook 2	01344100034	4	01344100034	4
13	Left Side Plate Sub-Assy	017037000010	1	017037000010	1

No.	Name of part	For the following unit			
		Unit	Product Code	Unit	Product Code
		GMV-ND18PLS/C1-T	CM810N2610	GMV-ND32PLS/C1-T	CM810N2640
		GMV-ND22PLS/C1-T	CM810N2620	GMV-ND36PLS/C1-T	CM810N2570
		GMV-ND25PLS/C1-T	CM810N2630	—	—
		GMV-ND28PLS/C1-T	CM810N2580	—	—
		Part code	Quantity	Part code	Quantity
14	Electric Box Assy	100002075991	1	100002075991	1
15	Fan board	300094000024	1	300094000024	1
16	Terminal Board	42011106	1	42011106	1
17	Terminal Board	42200006005404	1	42200006005404	1
18	Main Board	300002061887	1	300002061887	1
19	Air Outlet Frame Sub-assy	017043060003	1	017043060003	1
20	Evaporator Assy	011001060833	1	011001060834	1
21	Water Level Switch	430024060005	1	430024060005	1
22	Strainer	07213050	1	07213050	1
23	Electronic Expansion Valve	072009000006	1	072009000006	1
24	Strainer	035021060019	1	035021060019	1
25	Electric Expand Valve Fitting	4304000111	1	4304000111	1
26	Rubber Plug	76815200002	2	76815200002	2
27	Water Tray	26905200023	1	26905200023	1
28	Top Cover Board Sub-assy	01265200067	1	01265200067	1
29	Right Side Plate Sub-Assy	01315200052	1	01315200052	1
30	Temperature Sensor	3900005910	1	3900005910	1
31	Temperature Sensor	390000595	1	390000595	1
32	Temperature Sensor	390000456	1	390000456	1
33	Drain Hose Sub-Assy	007008000001	1	007008000001	1
34	Display Board	300001060921	1	300001060921	1

Above data is subject to change without notice, pls reference the SP in global service website.

Exploded View of GMV-ND40PLS/C1-T、GMV-ND45PLS/C1-T、GMV-ND50PLS/C1-T、GMV-ND56PLS/C1-T、GMV-ND63PLS/C1-T:

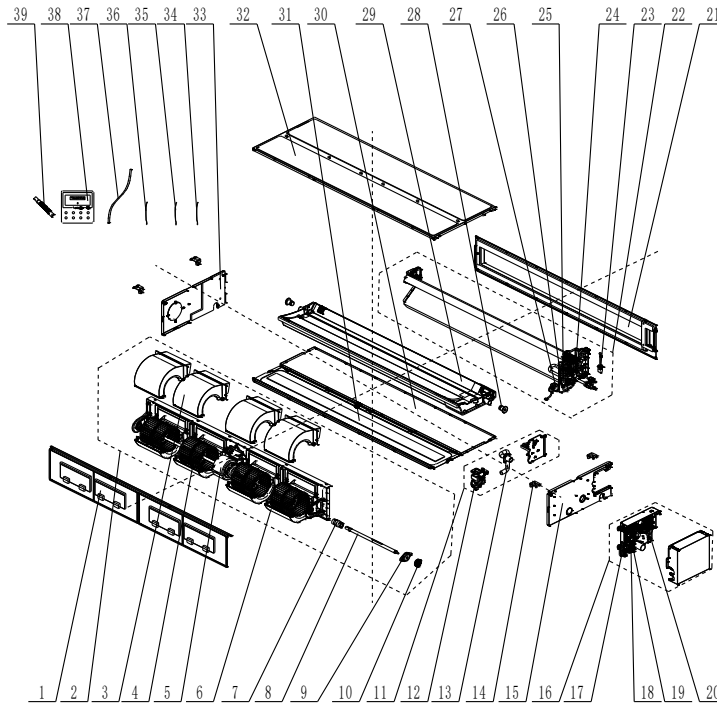


No.	Name of part	For the following unit			
		Unit	Product Code	Unit	Product Code
		GMV-ND40PLS/C1-T	CM810N2650	GMV-ND56PLS/C1-T	CM810N2600
		GMV-ND45PLS/C1-T	CM810N2660	GMV-ND63PLS/C1-T	CM810N2550
		GMV-ND50PLS/C1-T	CM810N2560	—	—
	Part code	Quantity	Part code	Quantity	
1	Filter Sub-Assy	111253038	2	111253038	2
2	Centrifugal fan assy	000052060089	1	000052060089	1
3	Propeller Housing(Upper)	26905200018	3	26905200018	3
4	Centrifugal Fan	10425200003	3	10425200003	3
5	Brushless DC Motor	150104060010	1	150104060009	1
6	Propeller Housing(Lower)	26905200019	3	26905200019	3
7	Support Of Motor Bearing	02285200001	1	02285200001	1
8	Bearing Holder Sub-assy	26151139	1	26151139	1
9	Rotary Axis Sub-Assy	73018761	1	73018761	1
10	Joint Slack	73018731	1	73018731	1
11	Water Pump Assy	000104060009	1	000104060009	1
12	Water Pump	812007060016	1	812007060016	1

No.	Name of part	For the following unit			
		Unit	Product Code	Unit	Product Code
		GMV-ND40PLS/C1-T	CM810N2650	GMV-ND56PLS/C1-T	CM810N2600
		GMV-ND45PLS/C1-T	CM810N2660	GMV-ND63PLS/C1-T	CM810N2550
		GMV-ND50PLS/C1-T	CM810N2560	—	—
	Part code	Quantity	Part code	Quantity	
13	Drainage Pipe(Rubber)	760022000001	1	760022000001	1
14	Hook 2	01344100034	4	01344100034	4
15	Left Side Plate Sub-Assy	017037000010	1	017037000010	1
16	Electric Box Assy	100002075991	1	100002075992	1
17	Fan board	300094000024	1	300094000025	1
18	Terminal Board	42011106	1	42011106	1
19	Terminal Board	42200006005404	1	42200006005404	1
20	Main Board	300002061887	1	300002061887	1
21	Air Outlet Frame Sub-assy	017043060001	1	017043060001	1
22	Evaporator Assy	011001060835	1	011001060836	1
23	Water Level Switch	430024060005	1	430024060005	1
24	Strainer	07213050	1	07213050	1
25	Electronic Expansion Valve	072009000005	1	072009000005	1
26	Strainer	035021060019	1	035021060019	1
27	Electric Expand Valve Fitting	4304000111	1	4304000111	1
28	Rubber Plug	76815200002	2	76815200002	2
29	Water Tray	26905200024	1	26905200024	1
30	Bottom Cover Plate	01265200072	1	01265200072	1
31	Cover Plate Sub-Assy	011657000032	1	011657000032	1
32	Top Cover Board Sub-assy	01265200069	1	01265200069	1
33	Right Side Plate Sub-Assy	01315200052	1	01315200052	1
34	Temperature Sensor	3900005910	1	3900005910	1
35	Temperature Sensor	390000595	1	390000595	1
36	Temperature Sensor	390000456	1	390000456	1
37	Drain Hose Sub-Assy	007008000001	1	007008000001	1
38	Display Board	300001060921	1	300001060921	1

Above data is subject to change without notice, pls reference the SP in global service website.

Exploded View of GMV-ND71PLS/C1-T、GMV-ND80PLS/C1-T:



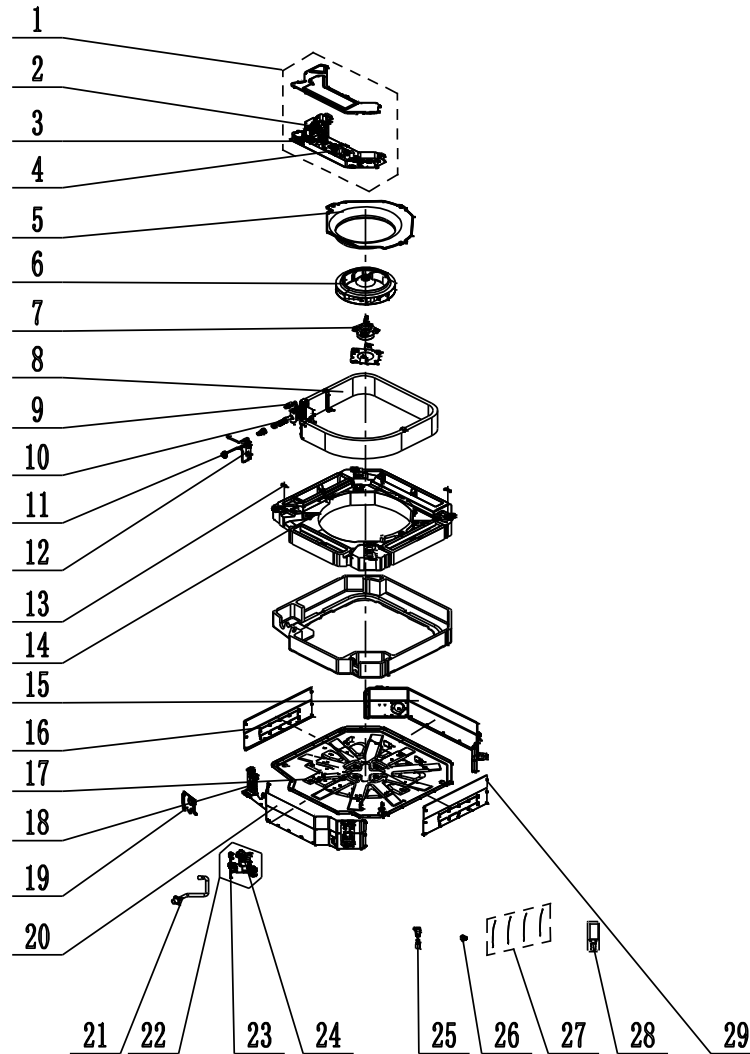
No.	Name of part	For the following unit	
		Unit	Product Code
		GMV-ND71PLS/C1-T	CM810N2590
		GMV-ND80PLS/C1-T	CM810N2540
		Part code	Quantity
1	Filter Sub-Assy	111253039	2
2	Centrifugal fan assy	000052060088	1
3	Propeller Housing(Upper)	26905200018	4
4	Centrifugal Fan	10425200003	4
5	Brushless DC Motor	150104060011	1
6	Propeller Housing(Lower)	26905200019	4
7	Joint Slack	73018731	2
8	Rotary Axis Sub-Assy	73018761	2
9	Support Of Motor Bearing	02285200001	2
10	Bearing Holder Sub-assy	26151139	2
11	Water Pump Assy	000104060009	1
12	Water Pump	812007060016	1
13	Drainage Pipe(Rubber)	760022000001	1
14	Hook 2	01344100034	4
15	Left Side Plate Sub-Assy	017037000010	1
16	Electric Box Assy	100002075993	1
17	Fan board	300094000026	1
18	Terminal Board	42011106	1
19	Terminal Board	42200006005404	1
20	Main Board	300002061887	1
21	Air Outlet Frame Sub-assy	017043060037	1
22	Evaporator Assy	011001062201	1
23	Water Level Switch	430024060005	1
24	Strainer	07213050	1

No.	Name of part	For the following unit	
		Unit	Product Code
		GMV-ND71PLS/C1-T	CM810N2590
		GMV-ND80PLS/C1-T	CM810N2540
		Part code	Quantity
25	Electronic Expansion Valve	072009000005	1
26	Strainer	035021060019	1
27	Electric Expand Valve Fitting	4304000111	1
28	Rubber Plug	76815200002	2
29	Water Tray	26905200031	1
30	Bottom Cover Plate	01265200084	1
31	Cover Plate Sub-Assy	011657060059	1
32	Top Cover Board Sub-assy	0126520009401	1
33	Right Side Plate Sub-Assy	01315200052	1
34	Temperature Sensor	3900005910	1
35	Temperature Sensor	390000595	1
36	Temperature Sensor	390000456	1
37	Drain Hose Sub-Assy	007008000001	1
38	Display Board	300001060921	1
39	Corrugated Pipe	05015408	1

Above data is subject to change without notice, pls reference the SP in global service website.

5.4 4-way Cassette Type

Exploded View of GMV-ND28T/A-T, GMV-ND36T/A-T, GMV-ND45T/A-T, GMV-ND50T/A-T

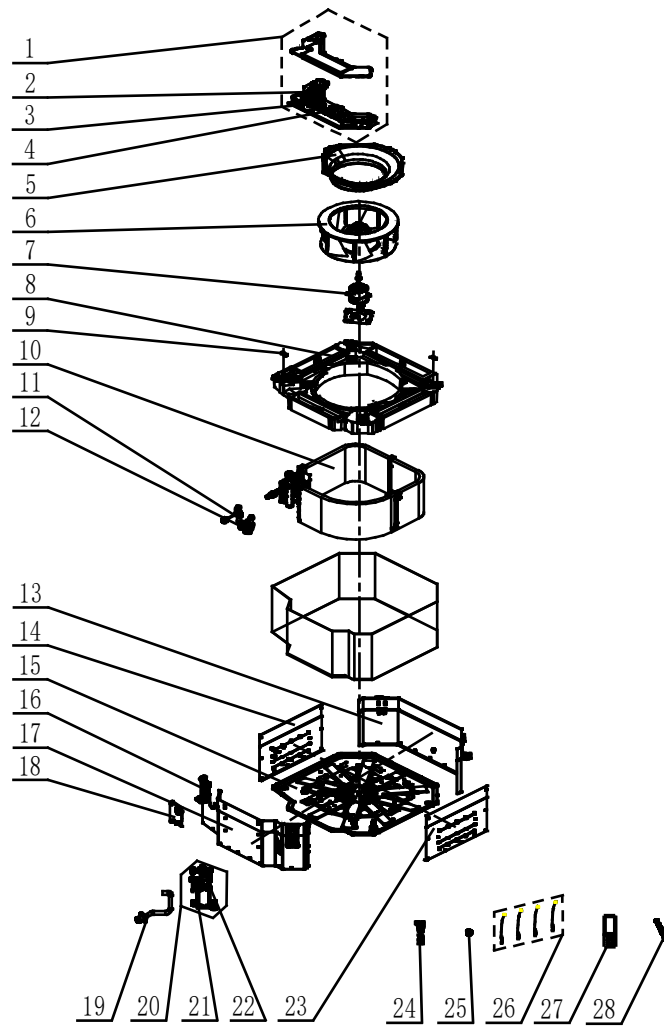


No.	Name of part	For the following unit		For the following unit	
		Unit	Product Code	Unit	Product Code
		GMV-ND28T/A-T	CM500N0380	GMV-ND45T/A-T	CM500N0400
		GMV-ND36T/A-T	CM500N0390	GMV-ND50T/A-T	CM500N0410
		Part code	Quantity	Part code	Quantity
1	Electric Box Assy	01394100209	1	01394100209	1
2	Terminal Board	42200000001501	1	42200000001501	1
3	Terminal Board	4201800002601	1	4201800002601	1
4	Main Board	30226000029	1	30226000029	1
5	Diversions Circle	10372701	1	10372701	1
6	Centrifugal Fan	10312721	1	10312721	1
7	Brushless DC Motor	1570410000703	1	1570410000703	1
8	Evaporator Assy	01024100113(36) 01024100118(28)	1	01024100114	1
9	Strainer	07415200002	1	07415200002	1

No.	Name of part	For the following unit		For the following unit	
		Unit	Product Code	Unit	Product Code
		GMV-ND28T/A-T	CM500N0380	GMV-ND45T/A-T	CM500N0400
		GMV-ND36T/A-T	CM500N0390	GMV-ND50T/A-T	CM500N0410
		Part code	Quantity	Part code	Quantity
10	Corrugated Pipe	05025112(36) 0502513401(28)	1	05025134	1
11	Electronic Expansion Valve	07334463	1	07334463	1
12	Strainer	07414100006	1	07414100006	1
13	Hook	02112721	2	02112721	2
14	Water Tray Assy	01289400013	1	01289400013	1
15	Rear Side Plate	01302732	1	01302732	1
16	Left Side Plate	01302733	1	01302733	1
17	Base Plate Assy	01222701	1	01222701	1
18	Body Installing Plate	01332701	4	01332701	4
19	Tube Exit Plate Assy	01382717	1	01382717	1
20	Front Side Plate	01302731	1	01302731	1
21	Pump Drainpipe	05232721	1	05232721	1
22	Water Pump Assy	15409405	1	15409405	1
23	Water Level Switch	45020216	1	45020216	1
24	Water Pump	43138000068	1	43138000068	1
25	Drain Hose Sub-Assy	007008000001	1	007008000001	1
26	Electric Expand Valve Fitting	4304413215	1	4304413215	1
27	Sensor Sub-assy	39008000013G	1	39008000013G	1
28	Remote Controller	30510589	1	30510589	1
29	Right Side Plate	01302734	1	01302734	1

Above data is subject to change without notice, pls refer the SP in global service website.

Exploded View of GMV-ND56T/A-T, GMV-ND63T/A-T, GMV-ND71T/A-T, GMV-ND80T/A-T, GMV-ND90T/A-T, GMV-ND100T/A-T, GMV-ND112T/A-T, GMV-ND125T/A-T, GMV-ND140T/A-T.



No.	Name of part	For the following unit	
		Unit	Product Code
		GMV-ND56T/A-T	CM500N0420
		GMV-ND63T/A-T	CM500N0430
		GMV-ND71T/A-T	CM500N0440
		GMV-ND80T/A-T	CM500N0450
		Part code	Quantity
1	Electric Box Assy	01394100209	1
2	Terminal Board	42200000001501	1
3	Terminal Board	4201800002601	1
4	Main Board	30226000029	1
5	Diversion Circle	10372701	1
6	Centrifugal Fan	10312705	1
7	Brushless DC Motor	1570940000401	1
8	Water Tray Assy	01289400013	1
9	Hook	02112721	2
10	Evaporator Assy	01024100115	1

No.	Name of part	For the following unit	
		Unit	Product Code
		GMV-ND56T/A-T	CM500N0420
		GMV-ND63T/A-T	CM500N0430
		GMV-ND71T/A-T	CM500N0440
		GMV-ND80T/A-T	CM500N0450
		Part code	Quantity
11	Strainer	0741410000601	2
12	Electronic Expansion Valve	07334466	1
13	Rear Side Plate	01302714	1
14	Left Side Plate	01302725	1
15	Base Plate Assy	01222701	1
16	Body Installing Plate	01332701	4
17	Front Side Plate	01302718	1
18	Tube Exit Plate Assy	01382715	1
19	Pump Drainpipe	05230026	1
20	Water Pump Assy	01332751	1
21	Water Level Switch	45020216	1
22	Water Pump	43138000068	1
23	Right Side Plate	01302716	1
24	Drain Hose Sub-Assy	05339400001	1
25	Electric Expand Valve Fitting	4304413215	1
26	Sensor Sub-Assy	39008000013G	1
27	Remote Controller	30510589	1
28	Corrugated Pipe	05015408	1

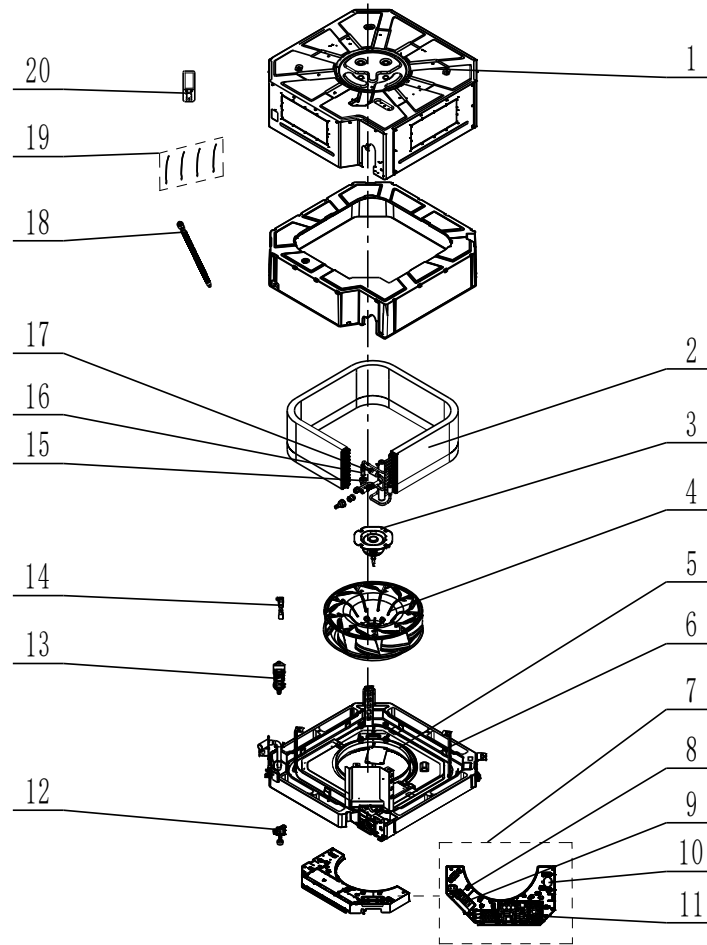
Above data is subject to change without notice, pls refer the SP in global service website.

No.	Name of part	For the following unit	
		Unit	Product Code
		GMV-ND90T/A-T	CM500N0460
		GMV-ND100T/A-T	CM500N0470
		GMV-ND112T/A-T	CM500N0480
		GMV-ND125T/A-T	CM500N0490
		GMV-ND140T/A-T	CM500N0500
Part code	Quantity		
1	Electric Box Assy	01394100209	1
2	Terminal Board	42200000001501	1
3	Terminal Board	4201800002601	1
4	Main Board	30226000029	1
5	Diversion Circle	10372722	1
6	Centrifugal Fan	10310101	1
7	Brushless DC Motor	1570940000301	1

No.	Name of part	For the following unit	
		Unit	Product Code
		GMV-ND90T/A-T	CM500N0460
		GMV-ND100T/A-T	CM500N0470
		GMV-ND112T/A-T	CM500N0480
		GMV-ND125T/A-T	CM500N0490
		GMV-ND140T/A-T	CM500N0500
		Part code	Quantity
8	Water Tray Assy	01289400013	1
9	Hook	02112721	2
10	Evaporator Assy	01024100116	1
11	Strainer	0741410000601	2
12	Electronic Expansion Valve	07334468	1
13	Rear Side Plate	01302723	1
14	Left Side Plate	01302725	1
15	Base Plate Assy	01222701	1
16	Body Installing Plate	01332701	4
17	Front Side Plate	01302721	1
18	Tube Exit Plate Assy	01382715	1
19	Pump Drainpipe	05230026	1
20	Water Pump Assy	15404100047	1
21	Water Level Switch	45020216	1
22	Water Pump	43138000068	1
23	Right Side Plate	01302727	1
24	Drain Hose Sub-Assy	05339400001	1
25	Electric Expand Valve Fitting	4304413215	1
26	Sensor Sub-Assy	39008000012G	1
27	Remote Controller	30510589	1
28	Corrugated Pipe	05015408	1

Above data is subject to change without notice, pls reference the SP in global service website.

Exploded View of GMV-ND160T/A-T:



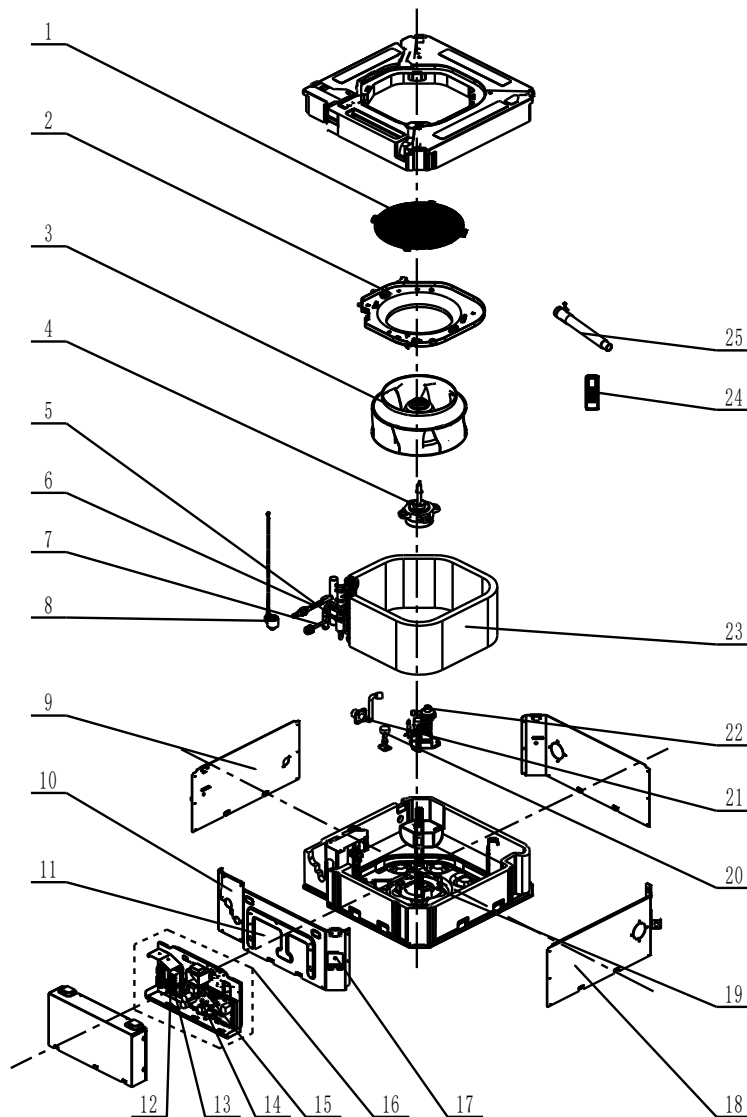
No.	Name of part	For the following unit	
		Unit	Product Code
		GMV-ND160T/A-T	CM500N0660
		Part code	Quantity
1	Shell Assy	01519400001	1
2	Evaporator Assy	01024100103	1
3	Brushless DC Motor	15709400002	1
4	Centrifugal Fan	10429401	1
5	Diversion Circle	10479401	1
6	Water Tray Assy	01289400002	1
7	Electric Box Assy	01394100298	1
8	Terminal Board	4201800002601	1
9	Terminal Board	42200000001501	1
10	Inductance	43128000014	1
11	Main Board	30226000027	1
12	Liquid Level Switch	4501801203	1
13	Water Pump	4313822001	1
14	Drain Hose Sub-Assy	05339400001	1
15	Electric Expand Valve Fitting	4304413219	1

No.	Name of part	For the following unit	
		Unit	Product Code
		GMV-ND160T/A-T	CM500N0660
		Part code	Quantity
16	Electronic Expansion Valve	07334468	1
17	Strainer	0741410000601	2
18	Corrugated Pipe	035030000005	1
19	Sensor Sub-assy	39008000012G	1
20	Remote Controller	30510589	1

Above data is subject to change without notice, pls reference the SP in global service website.

5.5 Compact 4-way Cassette Type

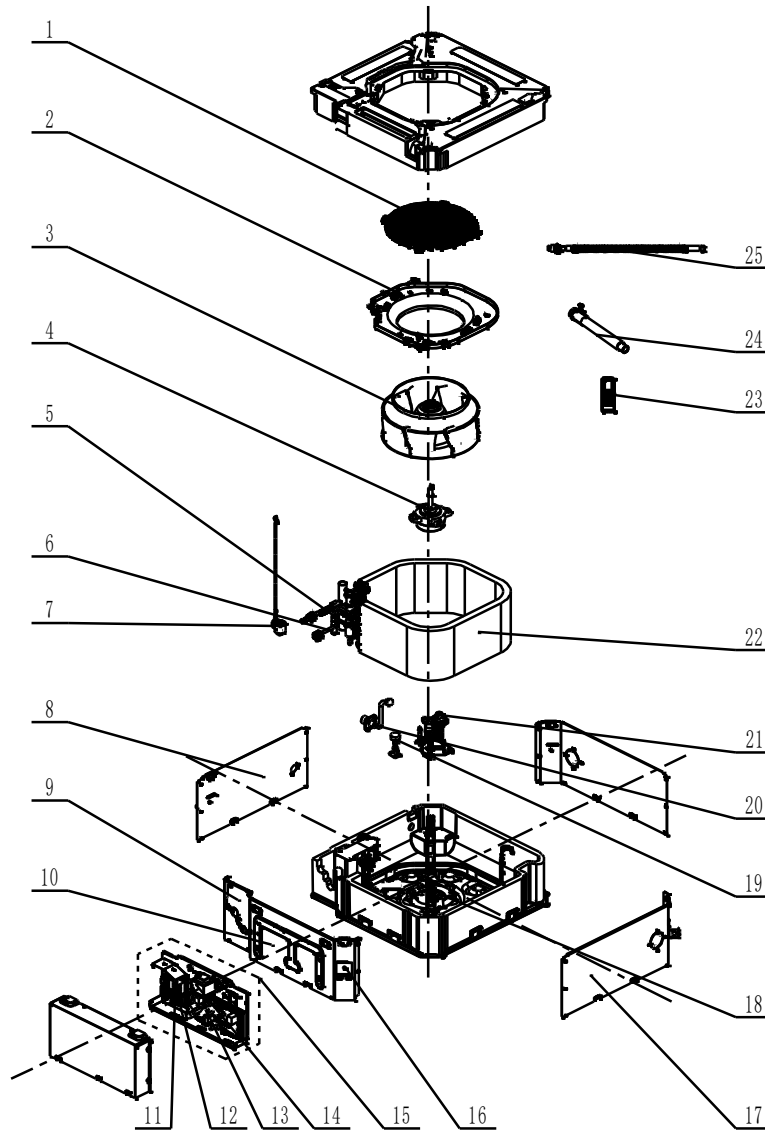
Exploded View of GMV-ND22T/B-T, GMV-ND28T/B-T, GMV-ND36T/B-T, GMV-ND45T/B-T, GMV-ND50T/B-T



No.	Name of part	For the following unit		For the following unit	
		Unit	Product Code	Unit	Product Code
		GMV-ND22T/B-T	CM500N0610	GMV-ND36T/B-T	CM500N0630
		GMV-ND28T/B-T	CM500N0620	GMV-ND45T/B-T	CM500N0640
		-	-	GMV-ND50T/B-T	CM500N0600
		Part Code	Quantity	Part Code	Quantity
1	Rear Grill	26909400007	1	26909400007	1
2	Diversion Circle	10479400001	1	10479400001	1
3	Centrifugal Fan	10429400001	1	10429400001	1
4	Brushless DC Motor	1570940000401	1	1570940000401	1
5	Strainer	0741410000601	2	0741410000601	2
6	Corrugated Pipe	0502513401	1	05025112	1
7	Electronic Expansion Valve	07334463	1	07334463	1
8	Electric Expand Valve Fitting	4304413215	1	4304413215	1
9	Left Side Plate Sub-Assy	01319400012	1	01319400012	1
10	Cover Plate Sub-Assy	01269400006	1	01269400006	1
11	Front Side Plate Sub-Assy	01319400014	1	01319400014	1
12	Terminal Board	42011106	1	42011106	1
13	Terminal Board	4201800002601	1	4201800002601	1
14	Main Board	30226000029	1	30226000029	1
15	Transformer	43118000015	1	43118000015	1
16	Electric Box Assy	01394100456	1	01394100456	1
17	Body Installing Support	01332705	4	01332705	4
18	Right Side Plate Sub-Assy	01319400013	2	01319400013	2
19	Base Plate Assy	02229400007	1	02229400007	1
20	Liquid Level Switch	450102013	1	450102013	1
21	Pump Drainpipe	04269400001	1	04269400001	1
22	Water Pump	43138000024	1	43138000024	1
23	Evaporator Assy	01024100137	1	01024100149	1
24	Remote Controller	30510589	1	30510589	1
25	Drain Hose	05232046	1	05232046	1

Above data is subject to change without notice, pls reference the SP in global service website.

Exploded View of GMV-ND56T/B-T:



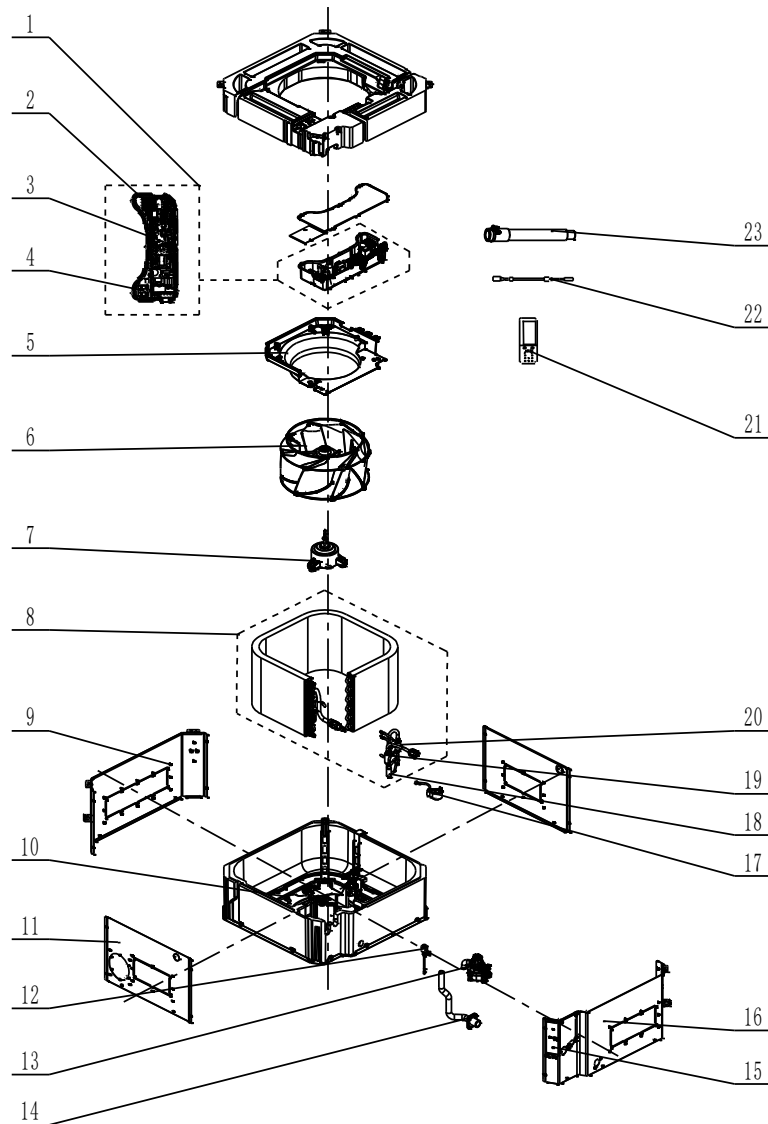
No.	Name of part	For the following unit	
		Unit	Product Code
		GMV-ND56T/B-T	CM500N0650
		Part Code	Quantity
1	Rear Grill	26909400007	1
2	Diversion Circle	10479400001	1
3	Centrifugal Fan	10429400001	1
4	Brushless DC Motor	1570940000401	1
5	Strainer	0741410000601	2
6	Electronic Expansion Valve	07334463	1
7	Electric Expand Valve Fitting	4304413215	1
8	Left Side Plate Sub-Assy	01319400012	1
9	Cover Plate Sub-Assy	01269400006	1
10	Front Side Plate Sub-Assy	01319400014	1
11	Terminal Board	42011106	1
12	Terminal Board	4201800002601	1
13	Main Board	30226000029	1
14	Transformer	43118000015	1

No.	Name of part	For the following unit	
		Unit	Product Code
		GMV-ND56T/B-T	CM500N0650
		Part Code	Quantity
15	Electric Box Assy	01394100456	1
16	Body Installing Support	01332705	4
17	Right Side Plate Sub-Assy	01319400013	2
18	Base Plate Assy	02229400007	1
19	Liquid Level Switch	450102013	1
20	Pump Drainpipe	04269400001	1
21	Water Pump	43138000024	1
22	Evaporator Assy	01024100152	1
23	Remote Controller	30510589	1
24	Drain Hose	05232046	1
25	Corrugated Pipe	05015408	1

Above data is subject to change without notice, pls reference the SP in global service website.

5.6 360° Air Discharge Compact Cassette Type

Exploded View of GMV-ND15T/E-T, GMV-ND18T/E-T, GMV-ND22T/E-T, GMV-ND28T/E-T, GMV-ND36T/E-T, GMV-ND45T/E-T, GMV-ND50T/E-T

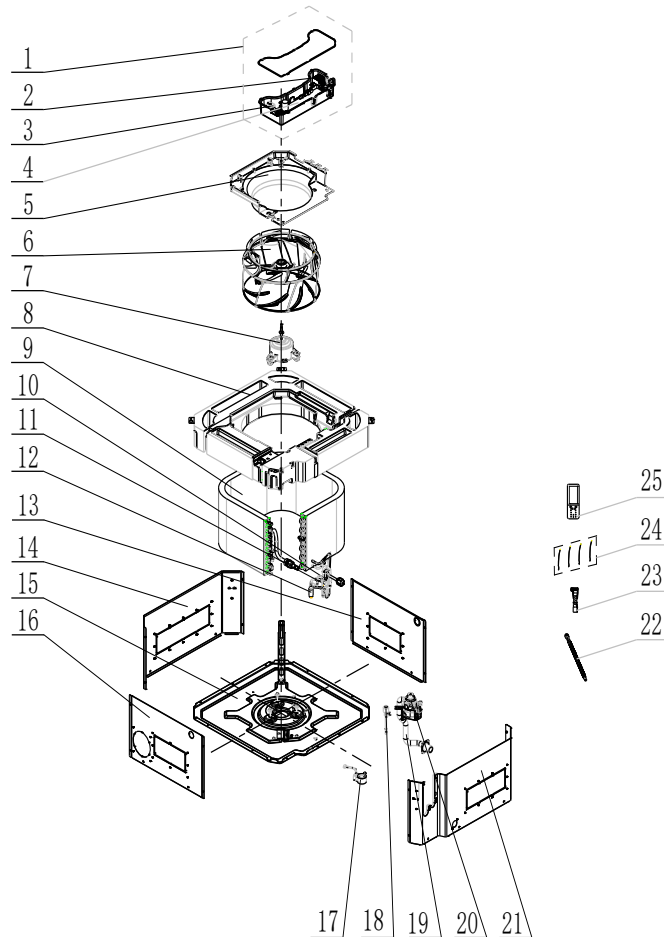


No.	Name of part	For the following unit		For the following unit	
		Unit	Product Code	Unit	Product Code
		GMV-ND15T/E-T	CM500N1690	GMV-ND36T/E-T	CM500N1330
		GMV-ND18T/E-T	CM500N1700	GMV-ND45T/E-T	CM500N1310
		GMV-ND22T/E-T	CM500N1350	GMV-ND50T/E-T	CM500N1320
		GMV-ND28T/E-T	CM500N1340	-	-
		Part Code	Quantity	Part Code	Quantity
1	Electric Box Assy	100002062898	1	100002062898	1
2	Terminal Board	42200006000401	1	42200006000401	1
3	Main Board	300002000782	1	300002000782	1
4	Terminal Board	42011106	1	42011106	1
5	Flow Guide Loop	200150060003	1	200150060003	1
6	Centrifugal Fan	103003060008	1	103003060008	1
7	Brushless DC Motor	150104060012	1	150104060012	1
8	Evaporator Assy	01100106037302	1	01100106037301	1

No.	Name of part	For the following unit		For the following unit	
		Unit	Product Code	Unit	Product Code
		GMV-ND15T/E-T	CM500N1690	GMV-ND36T/E-T	CM500N1330
		GMV-ND18T/E-T	CM500N1700	GMV-ND45T/E-T	CM500N1310
		GMV-ND22T/E-T	CM500N1350	GMV-ND50T/E-T	CM500N1320
		GMV-ND28T/E-T	CM500N1340	-	-
		Part Code	Quantity	Part Code	Quantity
9	Side Plate	012010060175	1	012010060175	1
10	Seat Board Sub-Assy	017080060023	1	017080060023	1
11	Side Plate	12010060177	2	12010060177	2
12	Liquid Level Switch	430024000005	1	430024000005	1
13	Water Pump PSB-0.024/1.2-A	4313800005802	1	4313800005802	1
14	Drain Pipe	200070060005	1	200070060005	1
15	Mounting Rack Sub-Assy	017044060011	4	017044060011	4
16	Side Plate	012010060176	1	012010060176	1
17	Electric expand valve fitting	43040001	1	43040001	1
18	Electronic Expansion Valve	072009000006	1	072009000006	1
19	Strainer	07213032	1	07213032	1
20	Strainer	07216221	1	07216221	1
21	Remote Controller	30510589	1	30510589	1
22	Sensor Sub-assy	39008000115G	1	39008000115G	1
23	Drain Hose	05232046	1	05232046	1

Above data is subject to change without notice, pls reference the SP in global service website.

Exploded View of GMV-ND56T/E-T

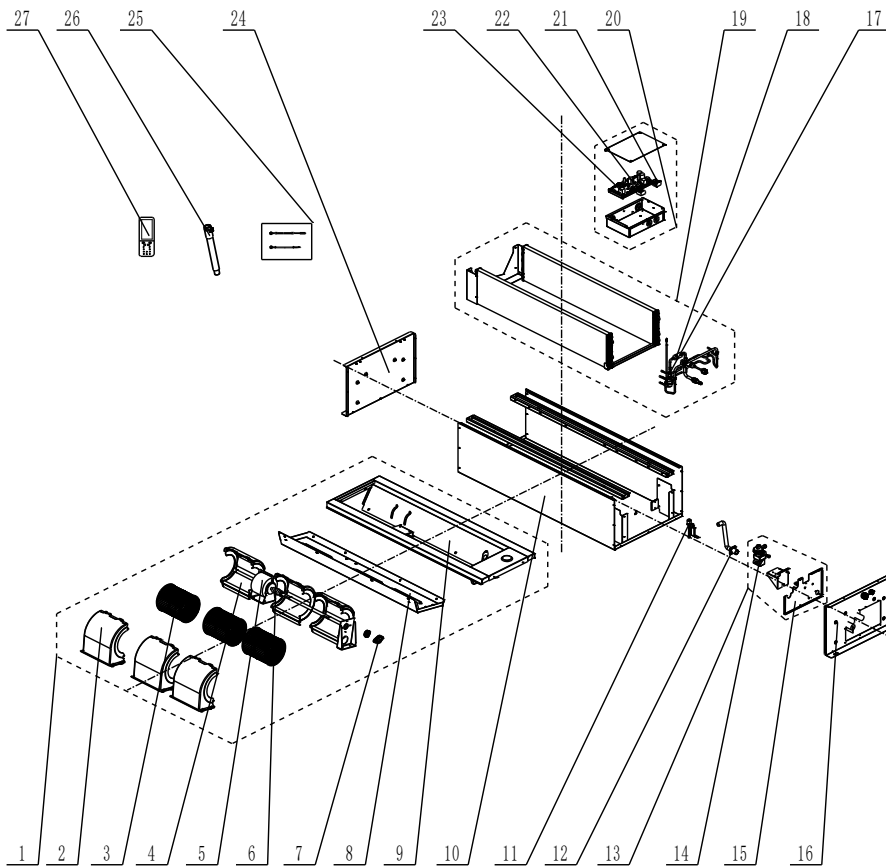


No.	Name of part	For the following unit	
		Unit	Product Code
		GMV-ND56T/E-T	CM500N1300
		Part Code	Quantity
1	Electric Box Assy	100002062898	1
2	Terminal Board	42200006000401	1
3	Terminal Board	42011106	1
4	Main Board	300002000782	1
5	Flow Guide Loop	200150060003	1
6	Centifugal Fan	103003060008	1
7	Brushless DC Motor	150104060012	1
8	Water Tray Assy	000069060065	1
9	Evaporator Assy	011001060373	1
10	Strainer	07216221	1
11	Strainer	07213032	2
12	Electronic Expansion Valve	072009000006	1
13	Side Plate	01201006017701	1
14	Side Plate	012010060175	1
15	Seat Board Sub-Assy	017080060023	4
16	Side Plate	012010060177	1
17	Electric Expand Valve Fitting	43040001	1
18	Liquid Level Switch	430024000005	1
19	Drain Pipe	200070060005	1
20	Water Pump	4313800005802	1
21	Side Plate	017110060042	1
22	Corrugated Pipe	05015408	1
23	Drain Hose Sub-Assy	007008000001	1
24	Sensor Sub-Assy	39008000115G	1
25	Remote Controller	30510589	1

Above data is subject to change without notice, pls reference the SP in global service website.

5.7 2-way Cassette Type

Exploded View of GMV-ND28TS/A-T, GMV-ND36TS/A-T, GMV-ND45TS/A-T, GMV-ND50TS/A-T

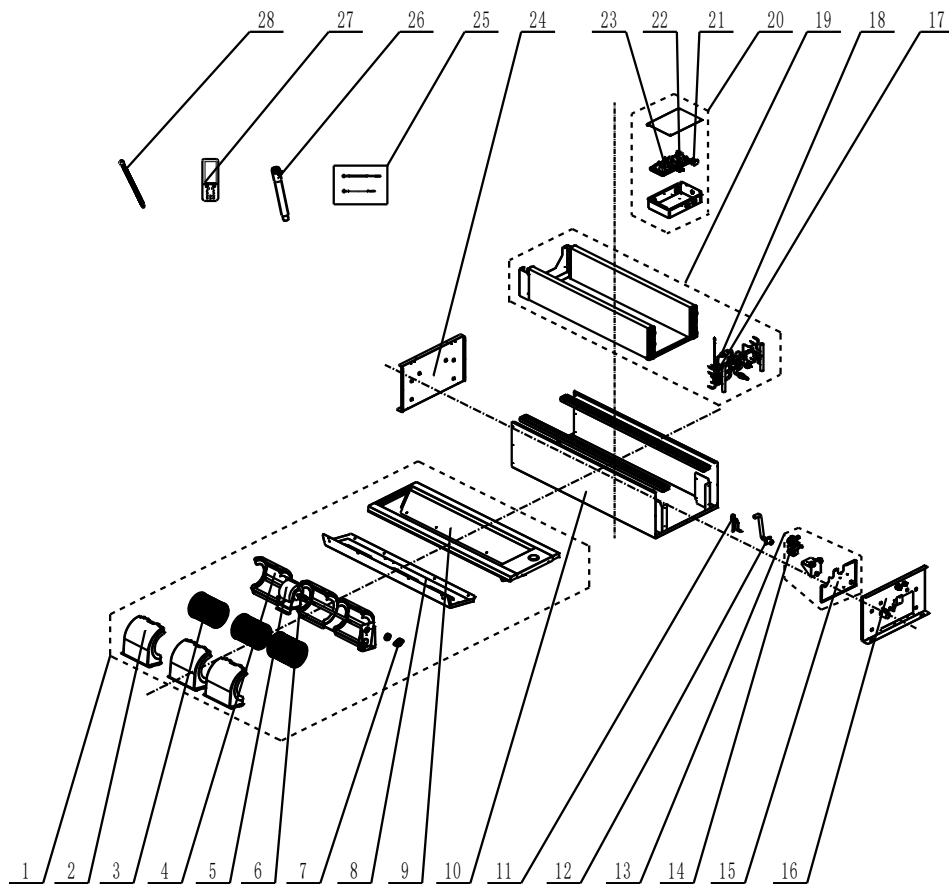


No.	Name of part	For the following unit	
		Unit	Product Code
		GMV-ND28TS/A-T	CM500N0680
		GMV-ND36TS/A-T	CM500N0690
		GMV-ND45TS/A-T	CM500N0700
		GMV-ND50TS/A-T	CM500N0710
		Part Code	Quantity
1	Centrifugal fan assy	15404100048	1
2	Front Volute Casing	22202030	3
3	Centrifugal fan	10319051	3
4	Rear Volute Casing	22202029	3
5	Brushless DC Motor	15704100003	1
6	Joint Slack	73018731	1
7	Support Of Motor Bearing	02285200001	1
8	Water Tray Sub-Assy	01284100137	1
9	Water Tray Sub-Assy2	01284100134	1
10	Base Plate Assy	02224100027	1
11	Liquid Level Switch	43002400000501	1
12	Pump Drainpipe	04615487	1
13	Tube Exit Plate Assy	01344100056	1
14	Water Pump	43138220	1
15	Tube-exit Plate	01344100031	1
16	Right Side Plate	012056060211	1
17	Electronic Expansion Valve	07334494	1

No.	Name of part	For the following unit	
		Unit	Product Code
		GMV-ND28TS/A-T	CM500N0680
		GMV-ND36TS/A-T	CM500N0690
		GMV-ND45TS/A-T	CM500N0700
		GMV-ND50TS/A-T	CM500N0710
		Part Code	Quantity
18	Strainer	0741410000601	2
19	Evaporator Assy	01024100094	1
20	Electric Box Assy	100002061253	1
21	Terminal Board	42011106	1
22	Terminal Board	42200006000401	1
23	Main Board	30226000029	1
24	Left Side Plate	01314100066	1
25	Sensor Sub-assy	39008000013G	1
26	Drain Hose	05232046	1
27	Remote Controller	30510589	1

Above data is subject to change without notice, pls reference the SP in global service website.

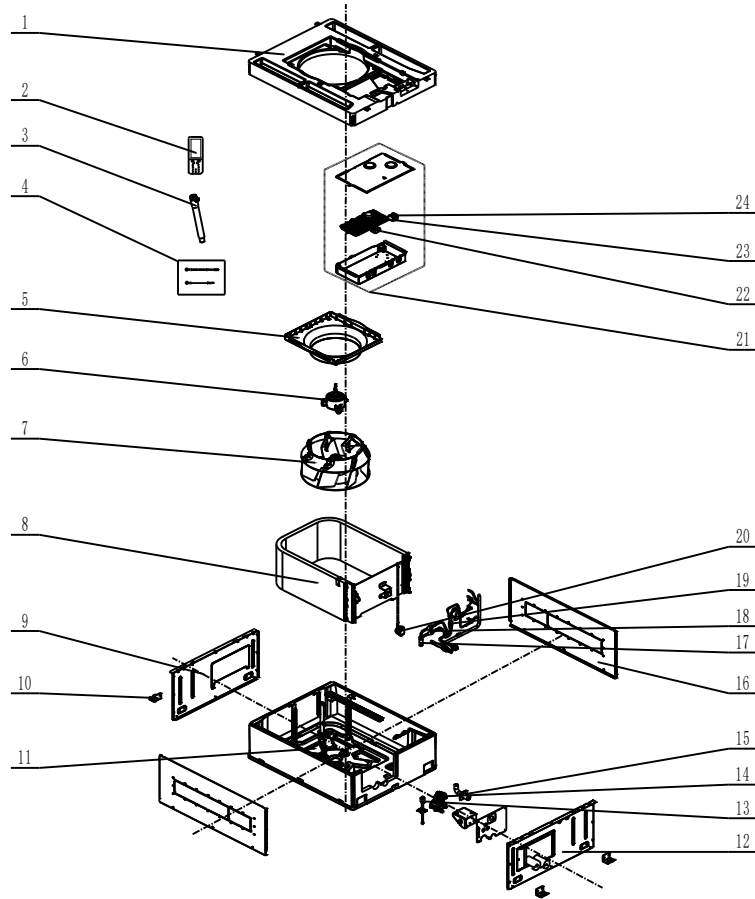
Exploded View of GMV-ND56TS/A-T, GMV-ND63TS/A-T, GMV-ND71TS/A-T



No.	Name of part	For the following unit	
		Unit	Product Code
		GMV-ND56TS/A-T	CM500N0720
		GMV-ND63TS/A-T	CM500N0730
		GMV-ND71TS/A-T	CM500N0740
	Part Code	Quantity	
1	Centrifugal fan assy	15404100048	1
2	Front Volute Casing	22202030	3
3	Centrifugal fan	10319051	3
4	Rear Volute Casing	22202029	3
5	Brushless DC Motor	15704100003	1
6	Joint Slack	73018731	1
7	Support Of Motor Bearing	02285200001	1
8	Water Tray Sub-Assy	01284100137	1
9	Water Tray Sub-Assy2	01284100134	1
10	Base Plate Assy	02224100027	1
11	Liquid Level Switch	43002400000501	1
12	Pump Drainpipe	04615487	1
13	Tube Exit Plate Assy	01344100056	1
14	Water Pump	43138220	1
15	Tube-exit Plate	01344100031	1
16	Right Side Plate	012056060211	1
17	Electronic Expansion Valve	07334493	1
18	Strainer	0741410000601	2
19	Evaporator Assy	01024100093	1
20	Electric Box Assy	100002061253	1
21	Terminal Board	42011106	1
22	Terminal Board	42200006000401	1
23	Main Board	30226000029	1
24	Left Side Plate	01314100066	1
25	Sensor Sub-assy	39008000013G	1
26	Drain Hose	05232046	1
27	Remote Controller	30510589	1
28	Corrugated Pipe	05015408	1

Above data is subject to change without notice, pls reference the SP in global service website.

Exploded View of GMV-ND28TS/B-T, GMV-ND36TS/B-T, GMV-ND45TS/B-T, GMV-ND50TS/B-T:

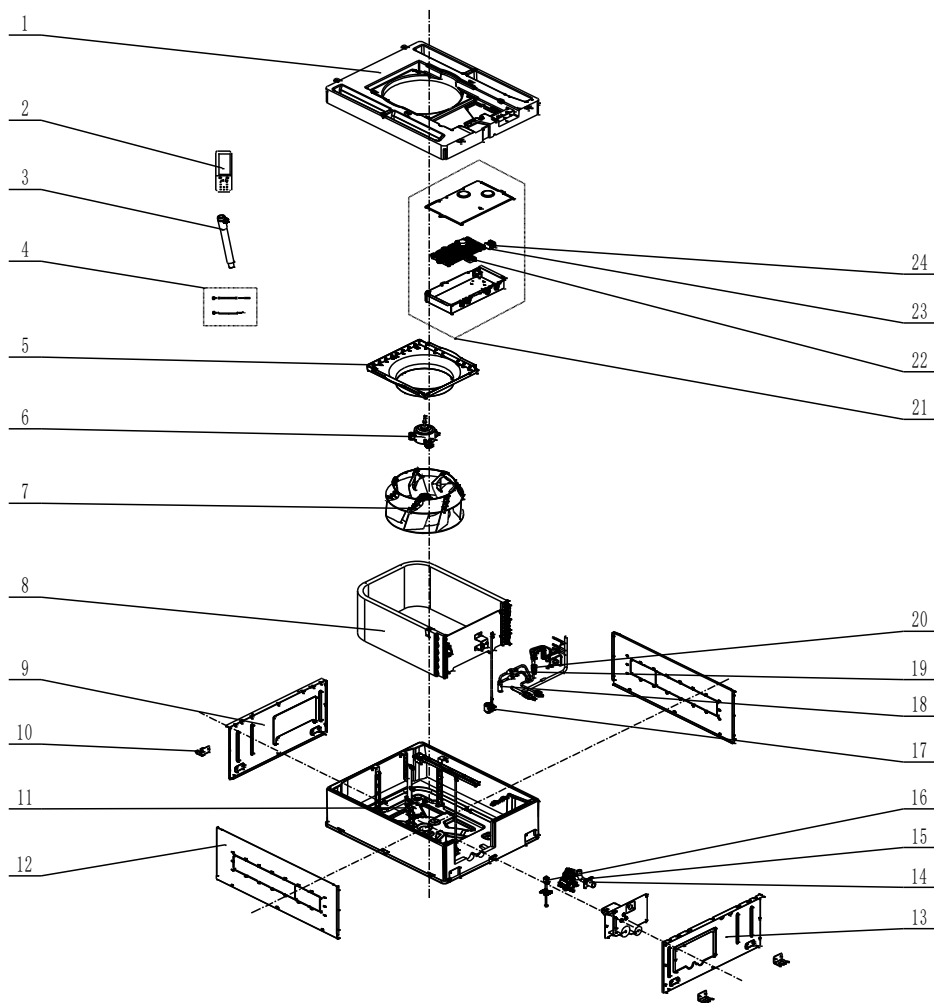


No.	Name of part	For the following unit		For the following unit	
		Unit	Product Code	Unit	Product Code
		GMV-ND28TS/B-T	CM500N1770	GMV-ND36TS/B-T	CM500N1760
		-	-	GMV-ND45TS/B-T	CM500N1780
		-	-	GMV-ND50TS/B-T	CM500N1750
		Part Code	Quantity	Part Code	Quantity
1	Foam Sub- Assy	120011060018	1	120011060018	1
2	Remote Controller	30510589	1	30510589	1
3	Drain Hose	05232046	1	05232046	1
4	Sensor Sub-assy	39008000012G	1	39008000012G	1
5	Diversion Circle	200150060023	1	200150060023	1
6	Brushless DC Motor	15010406001201	1	15010406001201	1
7	Centrifugal Fan	103003060022	1	103003060022	1
8	Evaporator Assy	011001061914	1	011001061838	1
9	Left Side Plate	012055060289	1	012055060289	1
10	Hook	012045060010	4	012045060010	4
11	Seat Board Sub-Assy	017080060159	1	017080060159	1
12	Right Side Plate	012056060340	1	012056060340	1
13	Water Level Switch	45020216	1	45020216	1
14	Water Pump	43138000058	1	43138000058	1
15	Drainage Pipe Assy	000406060029	1	000406060029	1
16	Side Plate	012010061411	2	012010061411	2
17	Electronic Expansion Valve	072009060047	1	072009060047	1
18	Strainer	0721304401	2	0721304401	2

No.	Name of part	For the following unit		For the following unit	
		Unit	Product Code	Unit	Product Code
		GMV-ND28TS/B-T	CM500N1770	GMV-ND36TS/B-T	CM500N1760
		-	-	GMV-ND45TS/B-T	CM500N1780
		-	-	GMV-ND50TS/B-T	CM500N1750
		Part Code	Quantity	Part Code	Quantity
19	Strainer	035021060019	1	035021060019	1
20	Electric Expand Valve Fitting	4304413215	1	4304413215	1
21	Electric Box Assy	100002073715	1	100002073715	1
22	Terminal Board	42200006005404	1	42200006005404	1
23	Main Board	300002060505	1	300002060505	1
24	Terminal Board	42011106	1	42011106	1

Above data is subject to change without notice, pls reference the SP in global service website.

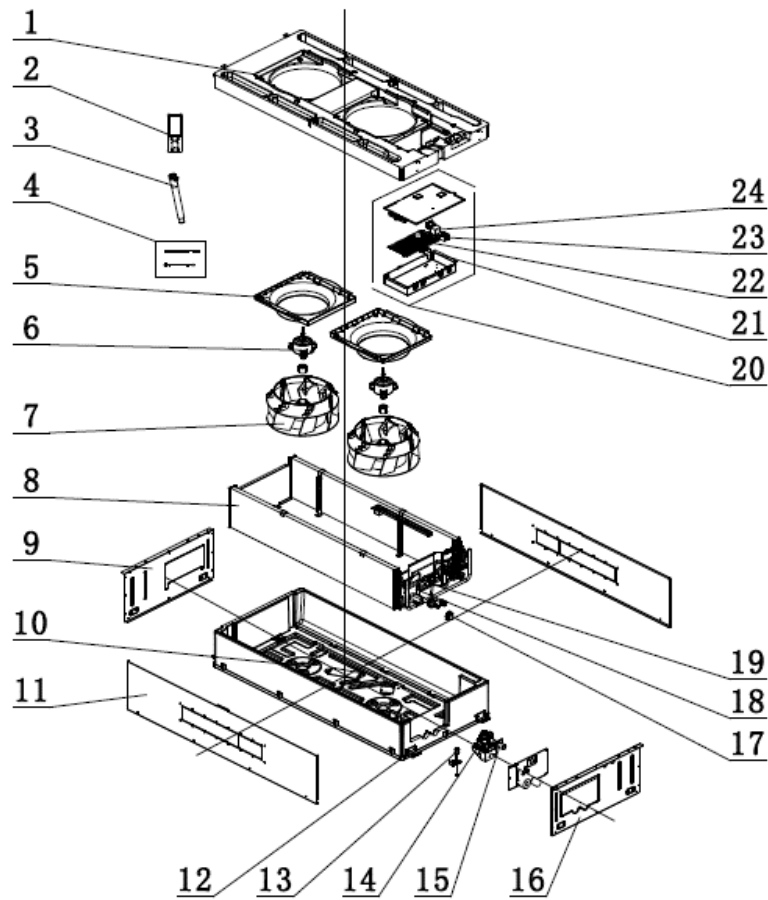
Exploded View of GMV-ND56TS/B-T, GMV-ND63TS/B-T, GMV-ND71TS/B-T, GMV-ND80TS/B-T:



No.	Name of part	For the following unit	
		Unit	Product Code
		GMV-ND56TS/B-T	CM500N1790
		GMV-ND63TS/B-T	CM500N1800
		GMV-ND71TS/B-T	CM500N1810
		GMV-ND80TS/B-T	CM500N1740
		Part Code	Quantity
1	Foam Sub- Assy	120011060018	1
2	Remote Controller	30510589	1
3	Drain Hose	05232046	1
4	Sensor Sub-assy	39008000012G	1
5	Diversion Circle	200150060023	1
6	Brushless DC Motor	15010406001201	1
7	Centrifugal Fan	103003060022	1
8	Evaporator Assy	011001061520	1
9	Left Side Plate	012055060289	1
10	Hook	012045060010	4
11	Seat Board Sub-Assy	017080060159	1
12	Side Plate	012010061411	2
13	Right Side Plate	012056060340	1
14	Drainage Pipe Assy	000406060029	1
15	Water Pump	43138000058	1
16	Water Level Switch	45020216	1
17	Electric Expand Valve Fitting	4304413215	1
18	Electronic Expansion Valve	072009060046	1
19	Strainer	0721304401	2
20	Strainer	035021060019	1
21	Electric Box Assy	100002073715	1
22	Terminal Board	42200006005404	1
23	Main Board	300002060505	1
24	Terminal Board	42011106	1

Above data is subject to change without notice, pls reference the SP in global service website.

Exploded View of GMV-ND90TS/B-T, GMV-ND100TS/B-T, GMV-ND112TS/B-T, GMV-ND125TS/B-T, GMV-ND140TS/B-T, GMV-ND160TS/B-T:

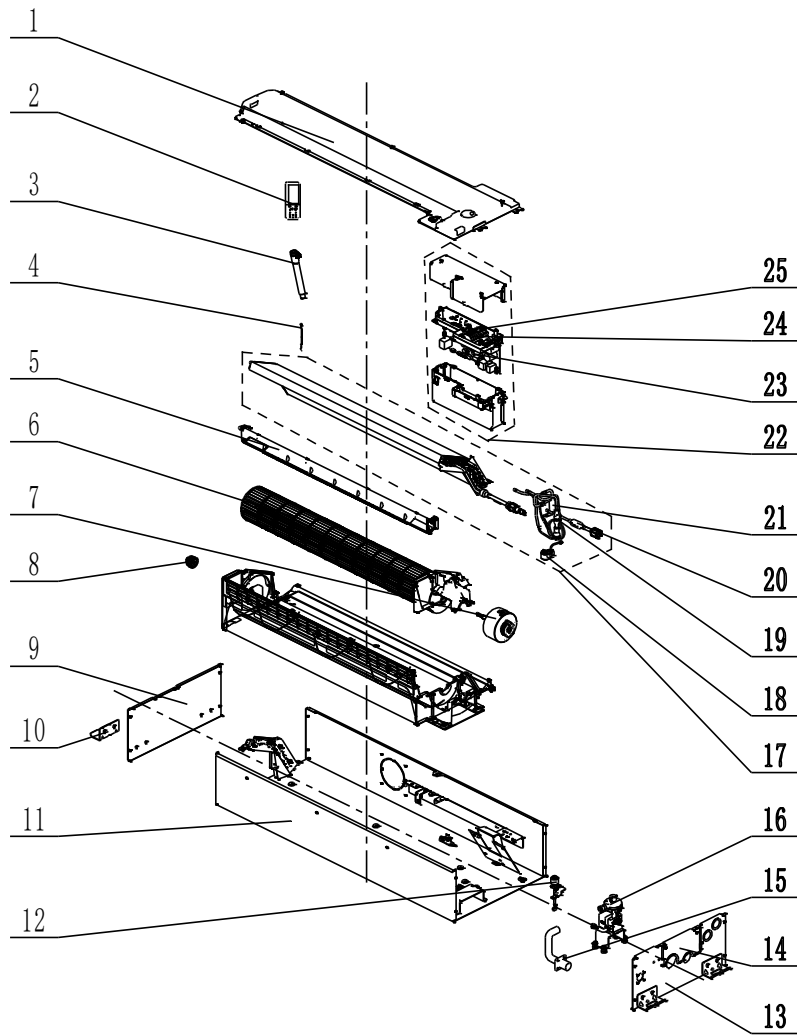


No.	Name of part	For the following unit	
		Unit	Product Code
		GMV-ND90TS/B-T	CM500N2400
		GMV-ND100TS/B-T	CM500N2380
		GMV-ND112TS/B-T	CM500N2390
		GMV-ND125TS/B-T	CM500N2370
		GMV-ND140TS/B-T	CM500N2410
		GMV-ND160TS/B-T	CM500N2330
		Part Code	Quantity
1	Foam Sub- Assy	120011060014	1
2	Remote Controller	30510589	1
3	Drain Hose	05232046	1
4	Sensor Sub-assy	39008000012G	1
5	Diversion Circle	200150060023	2
6	Brushless DC Motor	15010406001202 15010406001204	2
7	Centrifugal Fan	103003060022	2
8	Evaporator Assy	011001061259 (90~140) 011001061634 (160)	1
9	Left Side Plate	012055060289	1
10	Seat Board Sub-Assy	017080060137	1
11	Side Plate	012010061077	2
12	Hook	012045060010	4
13	Water Level Switch	45020216	1

No.	Name of part	For the following unit	
		Unit	Product Code
		GMV-ND90TS/B-T	CM500N2400
		GMV-ND100TS/B-T	CM500N2380
		GMV-ND112TS/B-T	CM500N2390
		GMV-ND125TS/B-T	CM500N2370
		GMV-ND140TS/B-T	CM500N2410
		GMV-ND160TS/B-T	CM500N2330
		Part Code	Quantity
14	Water Pump	43138000058	1
15	Drain Pipe Assy	000406060029	1
16	Right Side Plate Sub-Assy	012056060340	1
17	Electric Expand Valve Fitting	4304413215	1
18	Electronic Expansion Valve	072009060045	1
19	Strainer	0721304401	2
20	Electric Box Assy	100002079861	1
21	Terminal Board	42200006005404	1
22	Main Board	300002060505	1
23	Terminal Board	42011106	1
24	Filter Board	30226000065	1

5.8 1-way Cassette Type

Exploded View of GMV-ND22TD/A-T, GMV-ND28TD/A-T, GMV-ND36TD/A-T:

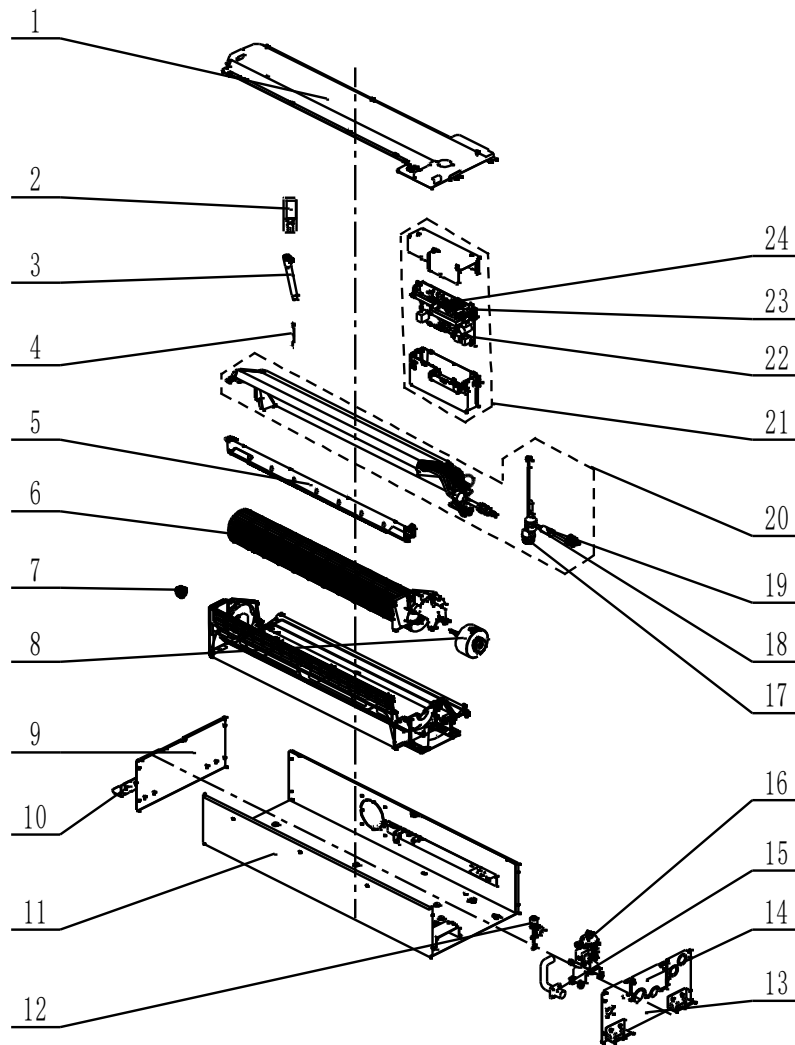


No.	Name of part	For the following unit		For the following unit	
		Unit	Product Code	Unit	Product Code
		GMV-ND22TD/A-T	CM502N0142	GMV-ND36TD/A-T	CM502N0112
		GMV-ND28TD/A-T	CM502N0102	-	-
		Part code	Quantity	Part code	Quantity
1	Water Tray Sub-Assy	01284100011	1	01284100011	1
2	Remote Controller	30510589	1	30510589	1
3	Drain Hose	05232046	1	05232046	1
4	Temperature Sensor	39008000079G	1	39008000079G	1
5	Helicoid Tongue sub-assy	02224100007	1	02224100007	1
6	Cross Flow Fan	10454100001	1	10454100001	1
7	Brushless DC Motor	1501214301	1	1501214301	1
8	O-Gasket of Cross Fan Bearing	76512203	1	76512203	1
9	Left Side Plate	01314100019	1	01314100019	1
10	Hook	02112466	4	02112466	4
11	Chassis Assy	01194100007	1	01194100007	1

No.	Name of part	For the following unit		For the following unit	
		Unit	Product Code	Unit	Product Code
		GMV-ND22TD/A-T	CM502N0142	GMV-ND36TD/A-T	CM502N0112
		GMV-ND28TD/A-T	CM502N0102	-	-
		Part code	Quantity	Part code	Quantity
12	Liquid Level Switch	43002400000501	1	43002400000501	1
13	Right Side Plate	01314100018	1	01314100018	1
14	Tube-exit Plate	01344100018	1	01344100018	1
15	Pump Drainpipe	26905288	1	26905288	1
16	Water Pump	81200706001601	1	81200706001601	1
17	Evaporator Assy	01100106095501	1	011001060955	1
18	Electric expand valve fitting	43040001	1	43040001	1
19	Strainer	0721200102	1	0721200102	1
20	Strainer	07213050	1	07213050	1
21	Electronic Expansion Valve	072009000006	1	072009000006	1
22	Electric Box Assy	100002067511	1	100002067511	1
23	Main Board	30226000029	1	30226000029	1
24	Terminal Board	42200006000401	1	42200006000401	1
25	Terminal Board	42000100000101	1	42000100000101	1

Above data is subject to change without notice, pls reference the SP in global service website.

Exploded View of GMV-ND45TD/A-T, GMV-ND50TD/A-T:

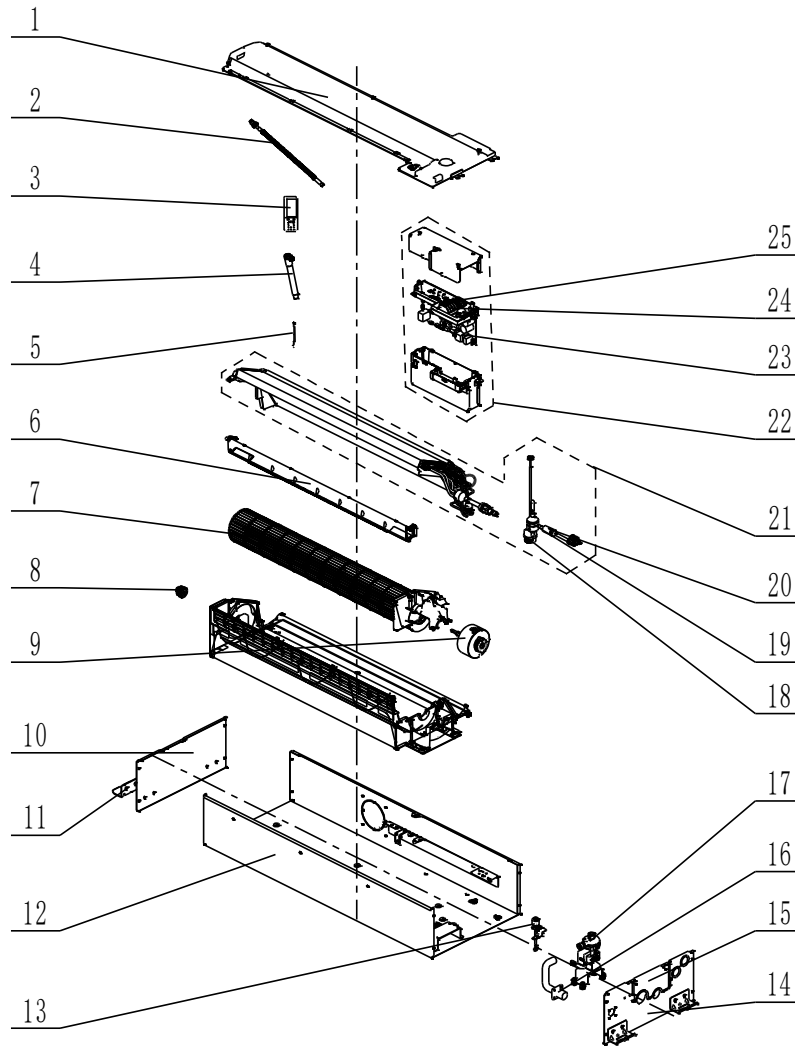


No.	Name of part	For the following unit	
		Unit	Product Code
		GMV-ND45TD/A-T	CM502N0122
		GMV-ND50TD/A-T	CM502N0132
		Part code	Quantity
1	Water Tray Sub-Assy	01284100011	1
2	Remote Controller	30510589	1
3	Drain Hose	05232046	1
4	Temperature Sensor	39008000079G	1
5	Helicoid Tongue sub-assy	02224100007	1
6	Cross Flow Fan	10454100001	1
7	O-Gasket of Cross Fan Bearing	76512203	1
8	Brushless DC Motor	1501214301	1
9	Left Side Plate	01314100019	1
10	Hook	02112466	4
11	Chassis Assy	01194100007	1

No.	Name of part	For the following unit	
		Unit	Product Code
		GMV-ND45TD/A-T	CM502N0122
		GMV-ND50TD/A-T	CM502N0132
		Part code	Quantity
12	Liquid Level Switch	43002400000501	1
13	Right Side Plate	01314100018	1
14	Tube-exit Plate	01344100018	1
15	Pump Drainpipe	26905288	1
16	Water Pump	4313822001	1
17	Electronic Expansion Valve	07334494	1
18	Strainer	07415210	1
19	Strainer	0741410002501	1
20	Evaporator Assy	01024100014	1
21	Electric Box Assy	01394100396	1
22	Main Board	30226000029	1
23	Terminal Board	4201800002601	1
24	Terminal Board	42000100000101	1

Above data is subject to change without notice, pls reference the SP in global service website.

Exploded View of GMV-ND56TD/A-T:

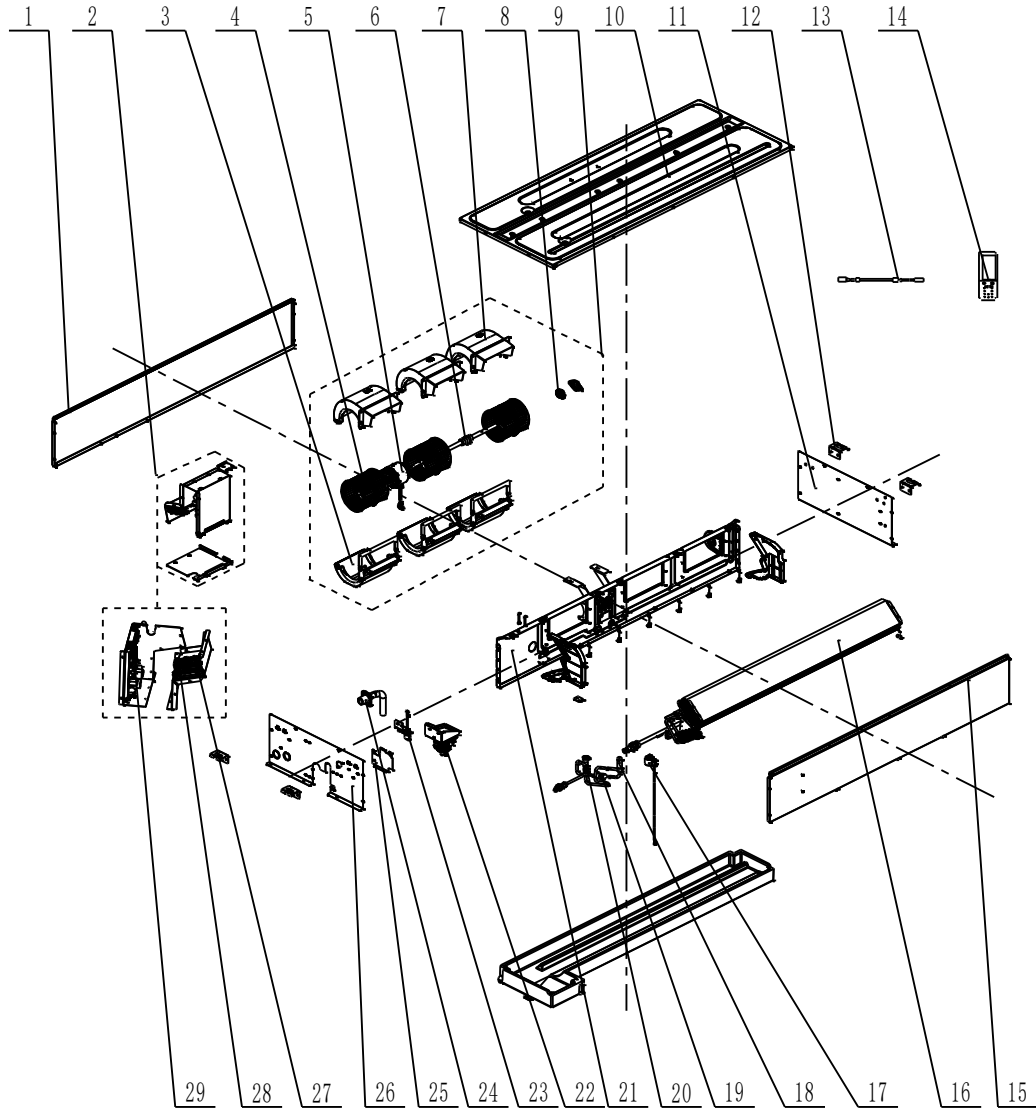


No.	Name of part	For the following unit	
		Unit	Product Code
		GMV-ND56TD/A-T	CM502N0172
		Part code	Quantity
1	Water Tray Sub-Assy	01284100011	1
2	Corrugated Pipe	05015408	1
3	Remote Controller	30510589	1
4	Drain Hose	05232046	1
5	Temperature Sensor	39008000079G	1
6	Helicoid Tongue sub-assy	02224100007	1
7	Cross Flow Fan	10454100001	1
8	O-Gasket of Cross Fan Bearing	76512203	1
9	Brushless DC Motor	1501214301	1
10	Left Side Plate	01314100019	1
11	Hook	02112466	4
12	Chassis Assy	01194100007	1
13	Liquid Level Switch	43002400000501	1

No.	Name of part	For the following unit	
		Unit	Product Code
		GMV-ND56TD/A-T	CM502N0172
		Part code	Quantity
14	Right Side Plate	01314100018	1
15	Tube-exit Plate	01344100018	1
16	Pump Drainpipe	26905288	1
17	Water Pump	4313822001	1
18	Electronic Expansion Valve	07334494	1
19	Strainer	07415210	1
20	Strainer	0741410002501	1
21	Evaporator Assy	011001000470	1
22	Electric Box Assy	01394100396	1
23	Main Board	30226000029	1
24	Terminal Board	4201800002601	1
25	Terminal Board	42000100000101	1

Above data is subject to change without notice, pls reference the SP in global service website.

Exploded View of GMV-ND63TD/B-T, GMV-ND71TD/B-T, GMV-ND80TD/B-T:



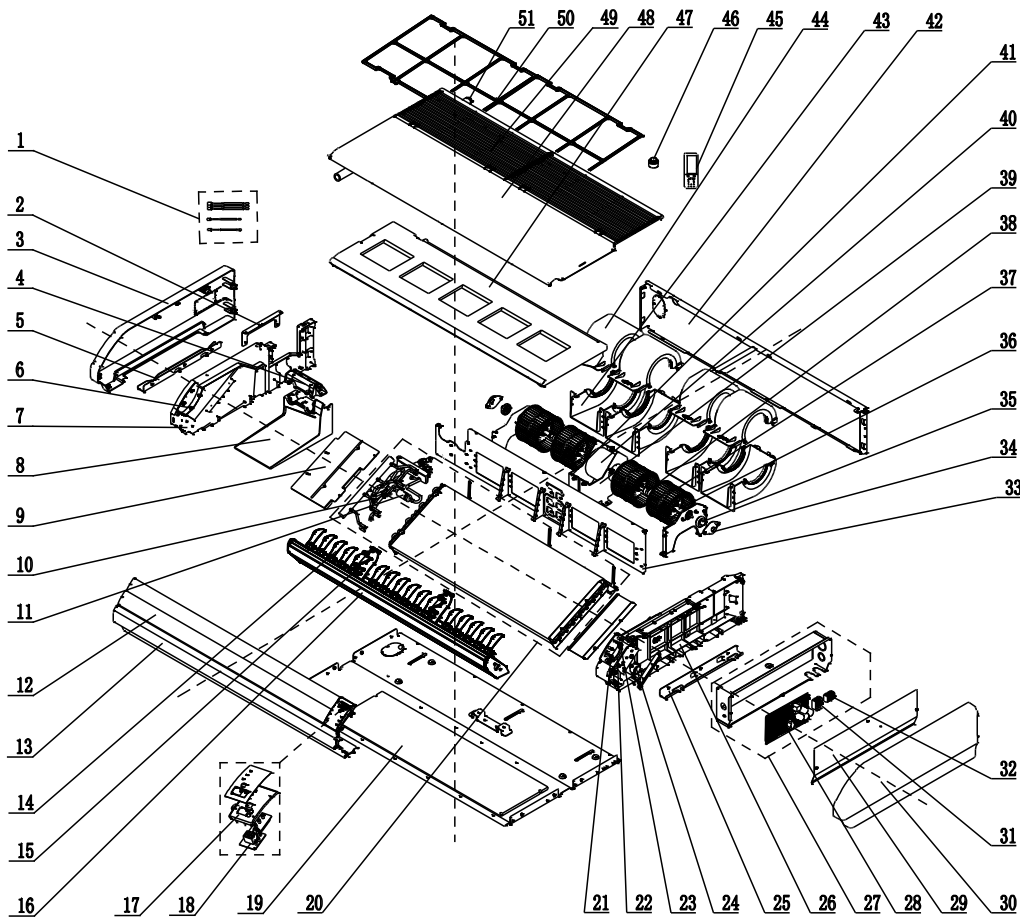
No.	Name of part	For the following unit	
		Unit	Product Code
		GMV-ND63TD/B-T	CM503N1060
		GMV-ND71TD/B-T	CM502N0190
		GMV-ND80TD/B-T	CM502N0200
		Part code	Quantity
1	Behind Cover Plate	012035061674	1
2	Electric Box Assy	100002074743	1
3	Propeller Housing(lower)	26905200019	3
4	Centrifugal Fan	10425200003	3
5	Brushless DC Motor	150104060083	1
6	Joint Slack	73018731	1
7	Propeller Housing(upper)	26905200018	3
8	Bearing Holder Sub-assy	26151139	1
9	Centrifugal Fan Assy	000052060663	1

No.	Name of part	For the following unit	
		Unit	Product Code
		GMV-ND63TD/B-T	CM503N1060
		GMV-ND71TD/B-T	CM502N0190
		GMV-ND80TD/B-T	CM502N0200
		Part code	Quantity
10	Top Cover	012148060440	1
11	Left Side Plate	012055060503	1
12	Hook	012045060010	4
13	Sensor Sub-assy	390002000005	1
14	Remote Controller	30510589	1
15	Front Cover Plate	012035061673	1
16	Evaporator Assy	011001062307	1
17	Electronic Expansion Valve Fitting	4304413251	1
18	Electronic Expansion Valve	072009060046	1
19	Strainer	035021060019	1
20	Strainer	0721304401	1
21	Blower Mounting Plate Sub-Assy	017004060049	1
22	Water Pump	4313800005804	1
23	Liquid Level Switch	43002400000502	1
24	Pump Drainpipe	26909400069	1
25	Seal Plate Assy	000112060127	1
26	Right Side Plate	012056060558	1
27	Terminal Board(3-bit)	422000060013	1
28	Terminal Board(4-bit)	42200006005404	1
29	Main Board	300002061896	1

Above data is subject to change without notice, pls reference the SP in global service website.

5.9 Floor Ceiling Type

Exploded View of GMV-ND28ZD/A-T, GMV-ND36ZD/A-T, GMV-ND50ZD/A-T, GMV-ND56ZD/A-T :

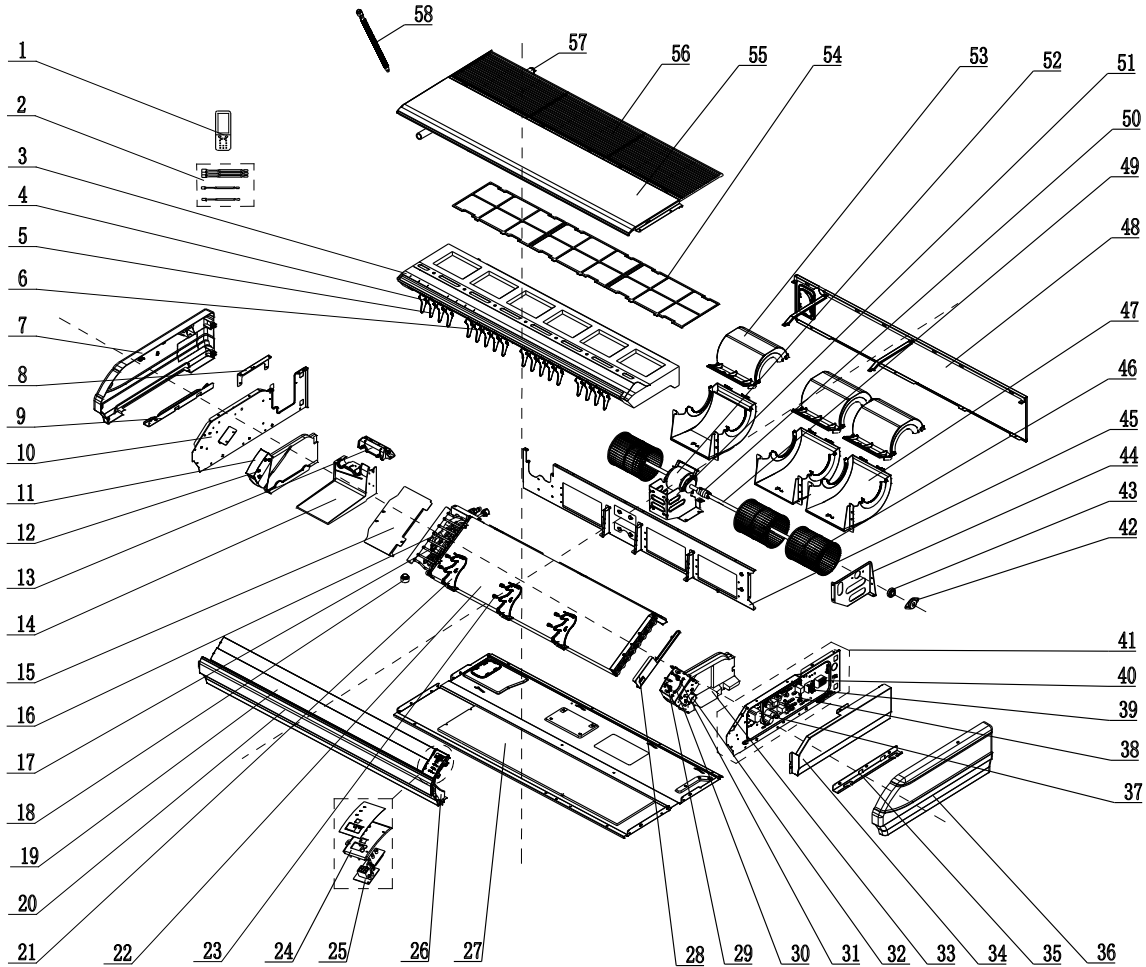


No.	Name of part	For the following unit	
		Unit	Product Code
		GMV-ND28ZD/A-T	CM600N0350
		GMV-ND36ZD/A-T	CM600N0360
		GMV-ND50ZD/A-T	CM600N0320
		GMV-ND56ZD/A-T	CM600N0400
		Part code	Quantity
1	Sensor Sub-Assy	39008000101G	1
2	Connection Board	02229406	1
3	Right Cover Plate	26909444	1
4	Plate Board of Water Releasing Flume	26909442	1
5	Installation Supporting Frame(right)	01809402	1
6	Axile Bush	10542704	2
7	Right Cover Plate	26909446	1
8	Water Releasing Flume	02284106P	1
9	Connected Board (Evaporator)	01344115	1
10	Electronic Expansion Valve	07334463	1
11	Strainer	0741410000601	2
12	Guide Louver	10619403	2
13	Front Connection Board	01349414P	1
14	Air Louver	10619404	16
15	Rotating Shaft 3	26909430	4
16	Guide Louver Supporter Sub-Assy	0180941601	1

No.	Name of part	For the following unit	
		Unit	Product Code
		GMV-ND28ZD/A-T	CM600N0350
		GMV-ND36ZD/A-T	CM600N0360
		GMV-ND50ZD/A-T	CM600N0320
		GMV-ND56ZD/A-T	CM600N0400
		Part code	Quantity
17	Fixed Mount(Display board)	26909426R	1
18	Display Board	30294000009	1
19	Rear Side Plate Sub-Assy	01319400009	1
20	Evaporator Assy Rotating Shaft 1	01024100096	1
21		26909413	1
22	Connecting Rod	26909411	1
23	Rotating Shaft 2	26909412	1
24	Stepping Motor	1521240206	1
25	Installation Supporting Frame(left)	01809401	1
26	Left Side Plate Sub-Assy	01319428	1
27	Electric Box Assy	01394100343	1
28	Main Board	30226000029	1
29	Electric Box Cover	01429420	1
30	Left Cover Plate	26909443	1
31	Terminal Board	42011106	1
32	Terminal Board	4201800002601	1
33	Mid-clapboard sub-Assy	01249416	1
34	Support Of Motor Bearing	01792408	2
35	O-Gasket of Bearing	76512404	1
36	Rotary Axis Sub-Assy	73018000037	2
37	Centrifugal Fan	10425200	4
38	Joint Slack	73018731	2
39	Supporter 2	01809400024	1
40	Brushless DC Motor	15704100001	1
41	Supporter 1	01809400023	1
42	Rear Connection board	01349422	1
43	Front Volute Casing	26905205	4
44	Rear Volute Casing	26905206	4
45	Remote Controller	30510589	1
46	Electric expand valve fitting	4304413203	1
47	Water Tray Assy	01289404	1
48	Top Cover Board Sub-assy	01269409	1
49	Front Grill	26909447	1
50	Filter Sub-Assy	11729402	1
51	Drainage Pipe Sub-assy	05235434	1

Above data is subject to change without notice, pls reference the SP in global service website.

Exploded View of GMV-ND63ZD/A-T, GMV-ND71ZD/A-T, GMV-ND90ZD/A-T:



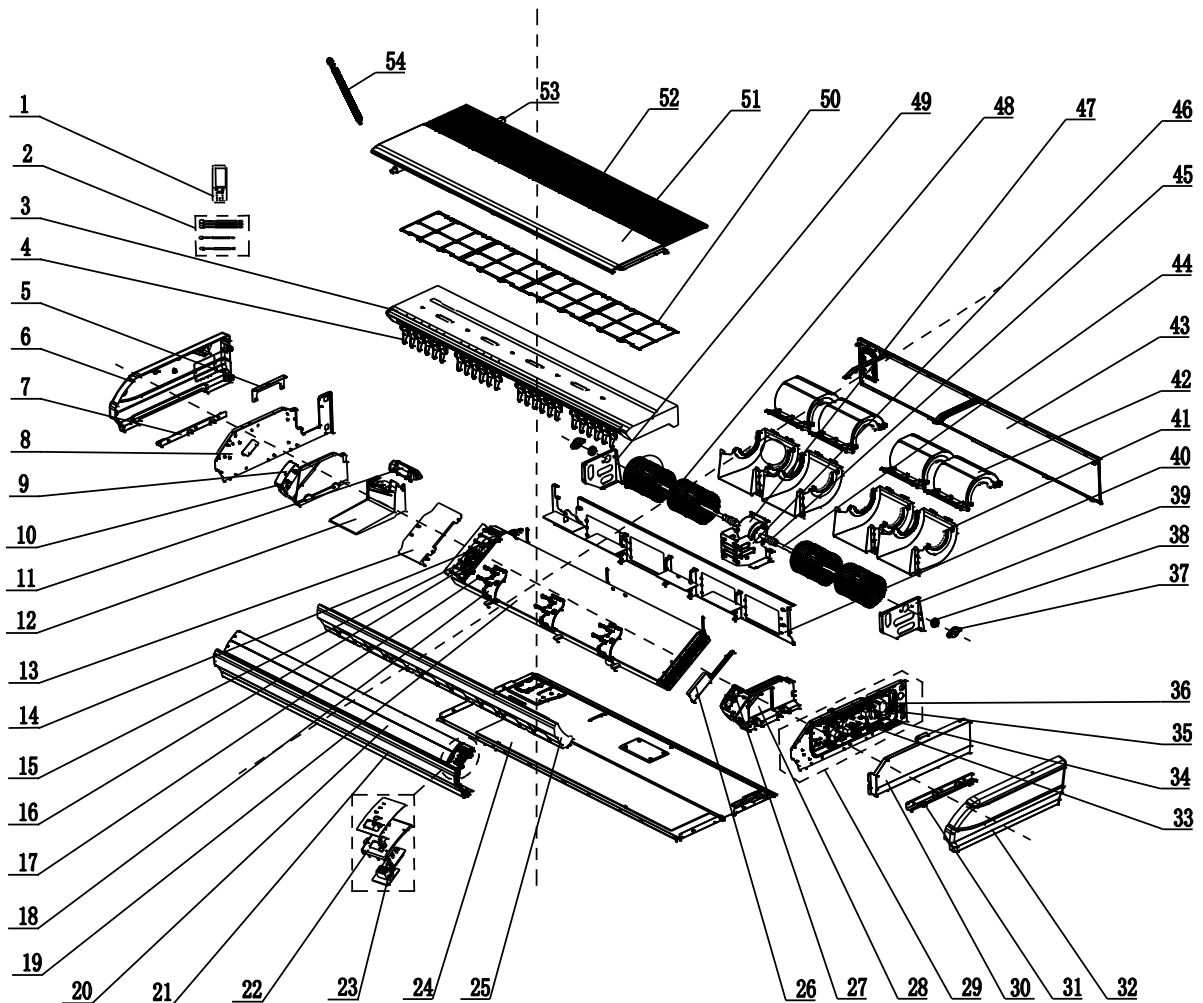
No.	Name of part	For the following unit	
		Unit	Product Code
		GMV-ND63ZD/A-T	CM600N0410
		GMV-ND71ZD/A-T	CM600N0370
		GMV-ND90ZD/A-T	CM600N0330
		Part code	Quantity
1	Remote Controller	30510589	1
2	Sensor Sub-assy	39008000100G	1
3	Water Tray Assy	01289405	1
4	Swing Lever	10582008	2
5	Air Louver	26909418	18
6	Swing Lever	10582009	2
7	Right Cover Plate	26909422	1
8	Connection Board	02229406	1
9	Installation Supporting Frame	01809402	1
10	Right Side Plate Sub-Assy	01319408	1
11	Right Foam Assy	12509425	1
12	Axile Bush	10542704	2
13	Plate Board of Water Releasing Flume	26909442	1

No.	Name of part	For the following unit	
		Unit	Product Code
		GMV-ND63ZD/A-T	CM600N0410
		GMV-ND71ZD/A-T	CM600N0370
		GMV-ND90ZD/A-T	CM600N0330
		Part code	Quantity
14	Water Releasing Flume	26909441	1
15	connected board (evaporator)	01344108	1
16	Strainer	0741410000601	2
17	Electronic Expansion Valve	07334466	1
18	Electric expand valve fitting	4304413203	1
19	Guide Louver	26909432	2
20	Front Connection Board	01349408P	1
21	Supporter	26909409	3
22	Evaporator Assy	01024100104	1
23	Rotating Shaft	26909430	6
24	Fixed Mount	26909426R	1
25	Display Board	30294000009	1
26	Front Connection Board Foam Assy	12509424	1
27	Rear Side Plate Sub-Assy	01319400006	1
28	Water Releasing Flume	02289402P	1
29	Rotating Shaft	26909413	1
30	Connecting Rod	26909411	1
31	Rotating Shaft	26909412	1
32	Stepping Motor	1521240206	1
33	Left Foam Assy	12509408	1
34	Electric Box Cover	01429400019	1
35	Installation Supporting Frame	01809421	1
36	Left Cover Plate	26909416	1
37	Inductance	43128000014	1
38	Main Board	30226000027	1
39	Terminal Board	42011106	1
40	Terminal Board	4201800002601	1
41	Electric Box Assy	01394100344	1
42	Support Of Motor Bearing	01792408	1
43	O-Gasket of Bearing	76512404	1
44	Bracket 1	01809404	1
45	Clapboard Sub-Assy	01249400002	1
46	Centrifugal fan	1041410101	3
47	Front volute casing	26905208	3
48	Rear Connection board	01349418	1

No.	Name of part	For the following unit	
		Unit	Product Code
		GMV-ND63ZD/A-T	CM600N0410
		GMV-ND71ZD/A-T	CM600N0370
		GMV-ND90ZD/A-T	CM600N0330
		Part code	Quantity
49	Rotary Axis Sub-Assy	73018052	1
50	Joint Slack	73018731	1
51	Motor Support Sub-Assy	01809400029	1
52	Brushless DC Motor	15705200005	1
53	Rear volute casing	26909419	3
54	Filter Sub-Assy	26909435	1
55	Top Cover Board Sub-assy	01269405	1
56	Front grill	26909434	3
57	Drainage Pipe Sub-assy	05235434	1
58	Corrugated Pipe	05015408	1

Above data is subject to change without notice, pls reference the SP in global service website.

Exploded View of GMV-ND112ZD/A-T, GMV-ND125ZD/A-T, GMV-ND140ZD/A-T:

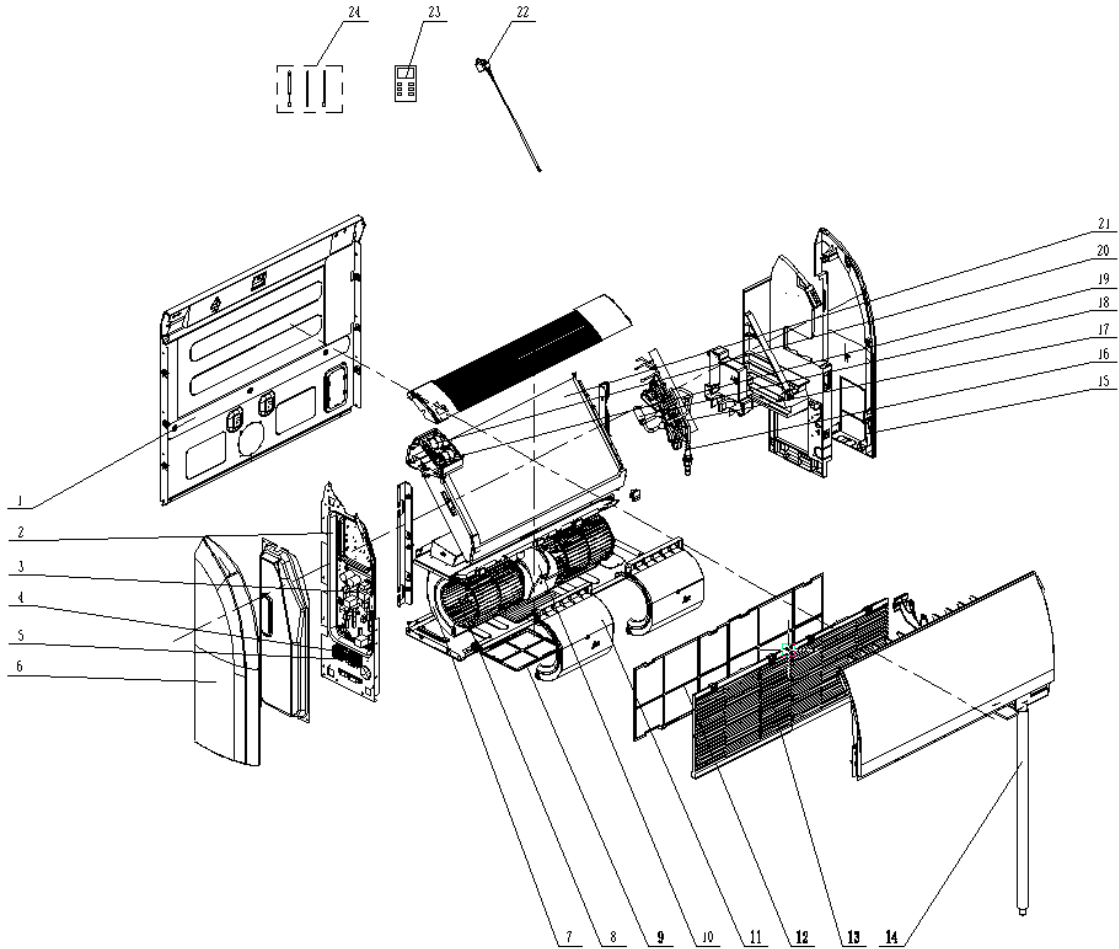


No.	Name of part	For the following unit	
		Unit	Product Code
		GMV-ND112ZD/A-T	CM600N0380
		GMV-ND125ZD/A-T	CM600N0390
		GMV-ND140ZD/A-T	CM600N0340
		GMV-ND160ZD/A-T	CM600N0500
		Part code	Quantity
1	Remote Controller	30510589	1
2	Sensor Sub-assy	39008000100G	1
3	Water Tray Assy	01289401	1
4	Air Louver	26909418	24
5	Connection Board	02229406	1
6	Right Cover Plate	26909422	1
7	Installation Supporting Frame	01809402	1
8	Right Side Plate Sub-Assy	01319408	1
9	Right Foam Assy	12509425	1
10	Axile Bush	10542704	2
11	Plate Board of Water Releasing Flume	26909442	1
12	Water Releasing Flume	26909441	1
13	connected board (evaporator)	01344108	1
14	Strainer	0741410000601	2
15	Electronic Expansion Valve	07334468	1
16	Electric expand valve fitting	4304413203	1
17	Rotating Shaft	26909430	6
18	Supporter	26909409	3
19	Evaporator Assy	01024100105	1
20	Guide Louver	10619405	2
21	Front Connection Board	01349404P	1
22	Fixed Mount	26909426R	1
23	Display Board	30294000009	1
24	Rear Side Plate Sub-Assy	01319442	1
25	Front Connection Board Foam Assy	12509434	1
26	Water Releasing Flume	02289402P	1
27	Stepping Motor	1521240206	2
28	Left Foam Assy	12509437	1
29	Electric Box Assy	01394100344	1
30	Electric Box Cover	01429410P	1
31	Installation Supporting Frame	01809421	1
32	Left Cover Plate	26909416	1
33	Main Board	30226000027	1
34	Terminal Board	42011106	1

No.	Name of part	For the following unit	
		Unit	Product Code
		GMV-ND112ZD/A-T	CM600N0380
		GMV-ND125ZD/A-T	CM600N0390
		GMV-ND140ZD/A-T	CM600N0340
		GMV-ND160ZD/A-T	CM600N0500
		Part code	Quantity
35	Terminal Board	4201800002601	1
36	Inductance	43128000014	1
37	Support Of Motor Bearing	01792408	2
38	O-Gasket of Bearing	76512404	2
39	Bracket 1	01809404	1
40	Clapboard Sub-Assy	01249400006	1
41	Front volute casing	26905208	4
42	Rear volute casing	26909419	4
43	Rear Connection board	01349419	1
44	Rotary Axis Sub-Assy	73018052	2
45	Joint Slack	73018731	2
46	Motor Support Sub-Assy	0180940002901	1
47	Brushless DC Motor	15709400005	1
48	Centrifugal fan	1041410101	4
49	Supporter	01809403	1
50	Filter	11126002	1
51	Top Cover Board Sub-assy	01269400002	1
52	Front Grill sub-assy	01579401	4
53	Drainage Pipe Sub-assy	05235434	1
54	Corrugated Pipe	05015408	1

Above data is subject to change without notice, pls reference the SP in global service website.

Exploded View of GMV-ND28ZD/B-T, GMV-ND36ZD/B-T, GMV-ND50ZD/B-T, GMV-ND56ZD/B-T:

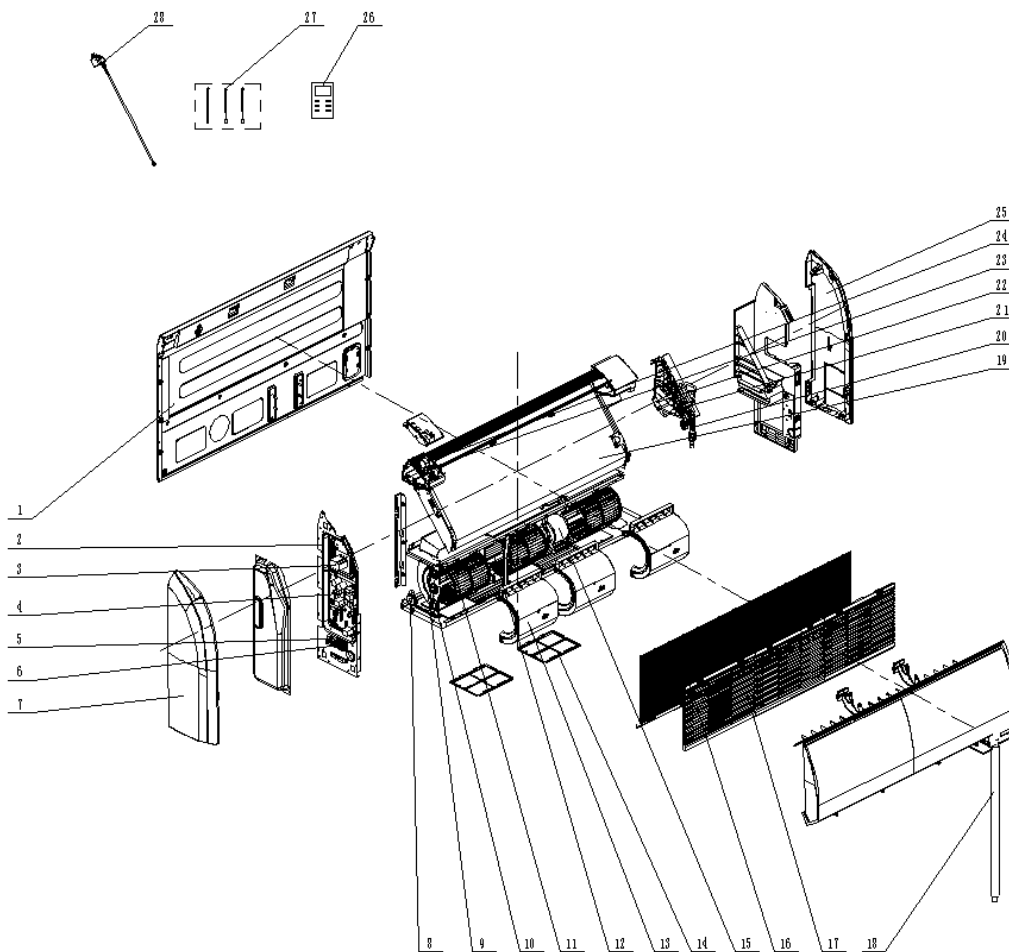


No.	Name of part	For the following unit		For the following unit	
		Unit	Product Code	Unit	Product Code
		GMV-ND28ZD/B-T	CM600N0570	GMV-ND50ZD/B-T	CM600N0510
		GMV-ND36ZD/B-T	CM600N0540	GMV-ND56ZD/B-T	CM600N0580
		Part code	Quantity	Part code	Quantity
1	Seat Board Sub-Assy	017080000040	1	017080000040	1
2	Electric Box Assy	100002071168	1	100002071168	1
3	Main Board	300002061964	1	300002061964	1
4	Terminal Board	42200006005404	1	42200006005404	1
5	Terminal board	42000100000204	1	42000100000204	1
6	Left Side Plate	2690940007001	1	2690940007001	1
7	Propeller Housing(Lower)	200230000001	2	200230000001	2
8	Centrifugal Fan	103003000001	2	103003000001	2
9	Filter Sub-Assy	111001000001	1	111001000001	1
10	Brushless DC Motor	150104060083	1	150104060083	1
11	Propeller Housing(Upper)	200230000002	2	200230000002	2
12	Filter Sub-Assy	1110010000072	2	1110010000072	2
13	Front Grill	20022600000401	2	20022600000401	2
14	Drainage Pipe Sub-Assy	05235434	1	05235434	1
15	Right Side Plate	2690940007101	1	2690940007101	1
16	Corrugated Pipe	0502513401	1	0502513401	1
17	Strainer	0721304401	2	0721304401	2
18	Electronic Expansion Valve	072009060047	1	072009060047	1

No.	Name of part	For the following unit		For the following unit	
		Unit	Product Code	Unit	Product Code
		GMV-ND28ZD/B-T	CM600N0570	GMV-ND50ZD/B-T	CM600N0510
		GMV-ND36ZD/B-T	CM600N0540	GMV-ND56ZD/B-T	CM600N0580
		Part code	Quantity	Part code	Quantity
19	Display Board	30294000009	1	30294000009	1
20	Stepping Motor	1521240215	2	1521240215	2
21	Evaporator Assy	011001061891(28) 011001061663(36)	1	011001061584(50) 011001061892(56)	1
22	Electric Expand Valve Fitting	4304413219	1	4304413219	1
23	Remote Controller	30510589	1	30510589	1
24	Sensor Sub-Assy	39008000101G	1	39008000101G	1

Above data is subject to change without notice, pls reference the SP in global service website.

Exploded View of GMV-ND63ZD/B-T, GMV-ND71ZD/B-T:

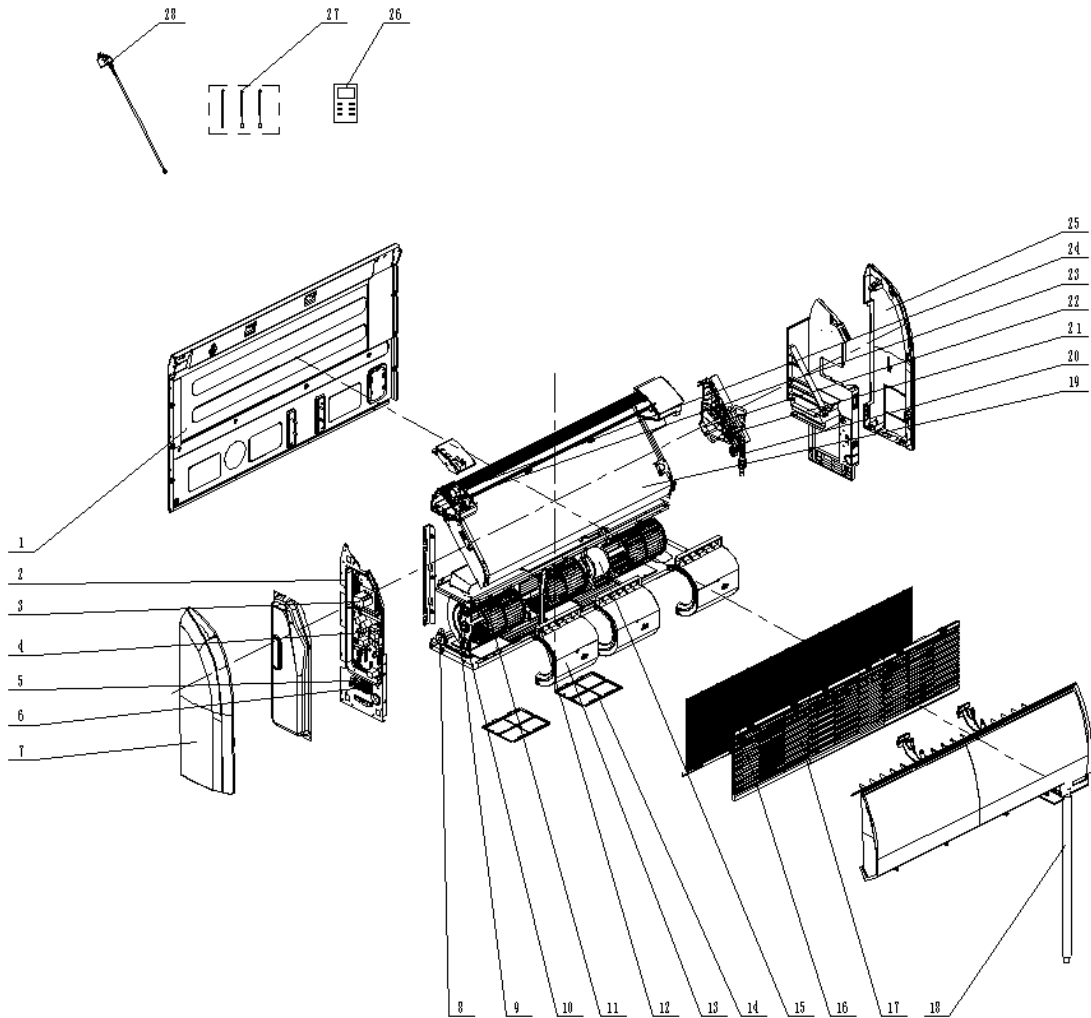


No.	Name of part	For the following unit	
		Unit	Product Code
		GMV-ND63ZD/B-T	CM600N0590
		GMV-ND71ZD/B-T	CM600N0550
		Part code	Quantity
1	Seat Board Sub-Assy	017080000052	1
2	Electric Box Assy	100002070924	1
3	Inductance	43128000014	1
4	Main Board	300002061965	1
5	Terminal Board	42200006005404	1

No.	Name of part	For the following unit	
		Unit	Product Code
		GMV-ND63ZD/B-T	CM600N0590
		GMV-ND71ZD/B-T	CM600N0550
	Part code	Quantity	
6	Terminal board	42000100000204	1
7	Left Side Plate	2690940007001	1
8	Support of Motor Bearing	01792408	1
9	Propeller Housing(Lower)	200230000001	3
10	O-Gasket of Baring	76512404	1
11	Centrifugal Fan	103003000001	3
12	Roller Wheel	700004500433	1
13	Propeller Housing(Upper)	200230000002	3
14	Filter Sub-Assy	111001000001	2
15	Brushless DC Motor	1570520000501	1
16	Filter Sub-Assy	117294000004	3
17	Front Grill	2690940007201	3
18	Drainage Pipe Sub-Assy	05235434	1
19	Evaporator Assy	011001061608	1
20	Corrugated Pipe	0502511204	1
21	Strainer	0721304401	2
22	Electric Expand Valve	072009060046	1
23	Display Board	302940000009	1
24	Stepping Motor	1521240215	2
25	Right Side Plate	2690940007101	1
26	Remote Controller	30510589	1
27	Sensor Sub-Assy	39008000101G	1
28	Electric Expand Valve Fitting	4304413206	1

Above data is subject to change without notice, pls reference the SP in global service website.

Exploded View of GMV-ND90ZD/B-T:

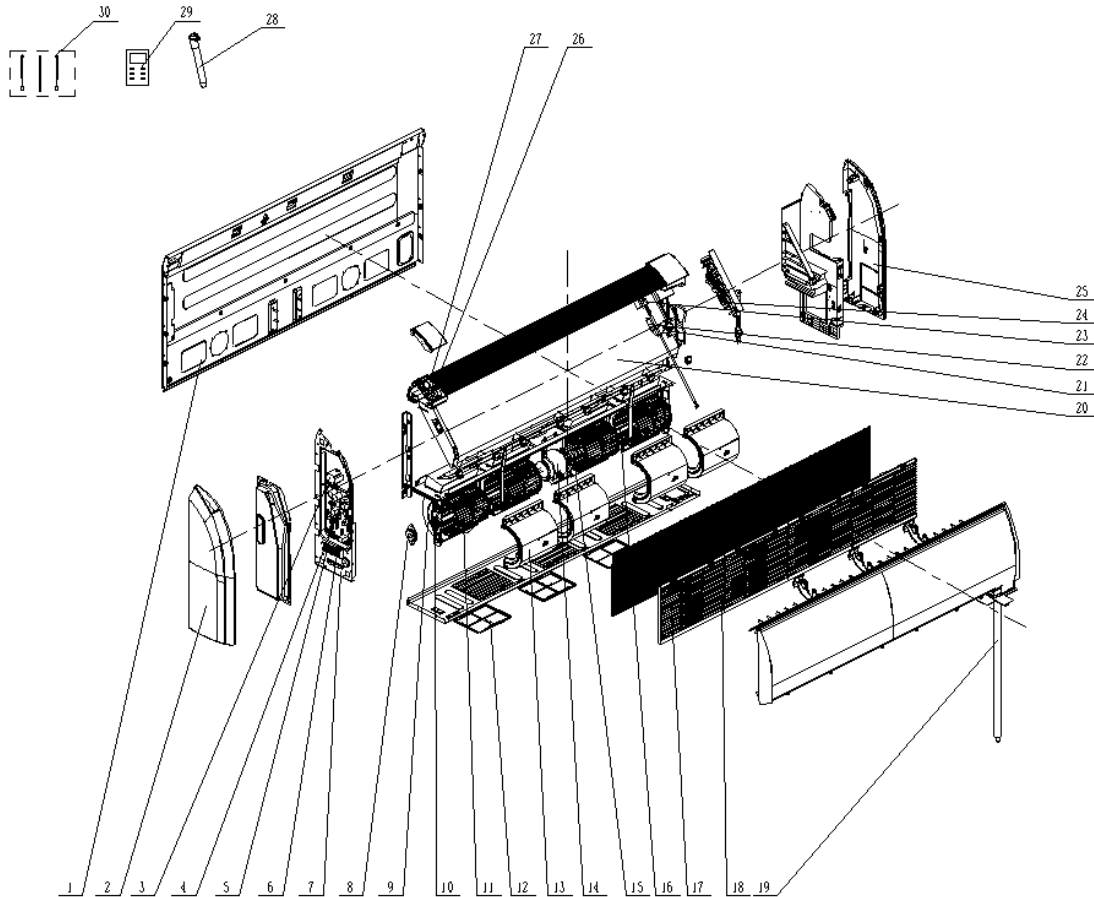


No.	Name of part	For the following unit	
		Unit	Product Code
		GMV-ND90ZD/B-T	CM600N0520
		Part code	Quantity
1	Seat Board Sub-Assy	017080000052	1
2	Electric Box Assy	100002070924	1
3	Inductance	43128000014	1
4	Main Board	300002061965	1
5	Terminal Board	42200006005404	1
6	Terminal board	42000100000204	1
7	Left Side Plate	2690940007001	1
8	Support of Motor Bearing	01792408	1
9	Propeller Housing(Lower)	200230000001	3
10	O-Gasket of Baring	76512404	1
11	Centrifugal Fan	103003000001	3
12	Roller Wheel	700004500433	1
13	Propeller Housing(Upper)	200230000002	3
14	Filter Sub-Assy	111001000001	2
15	Brushless DC Motor	1570520000501	1
16	Filter Sub-Assy	11729400004	3
17	Front Grill	2690940007201	3

No.	Name of part	For the following unit	
		Unit	Product Code
		GMV-ND90ZD/B-T	CM600N0520
		Part code	Quantity
18	Drainage Pipe Sub-Assy	05235434	1
19	Evaporator Assy	011001061579	1
20	Corrugated Pipe	0502511201	1
21	Strainer	0721304401	2
22	Electric Expand Valve	072009060046	1
23	Display Board	30294000009	1
24	Stepping Motor	1521240215	2
25	Right Side Plate	2690940007101	1
26	Remote Controller	30510589	1
27	Sensor Sub-Assy	39008000101G	1
28	Electric Expand Valve Fitting	4304413206	1

Above data is subject to change without notice, pls reference the SP in global service website.

Exploded View of GMV-ND112ZD/B-T, GMV-ND125ZD/B-T:

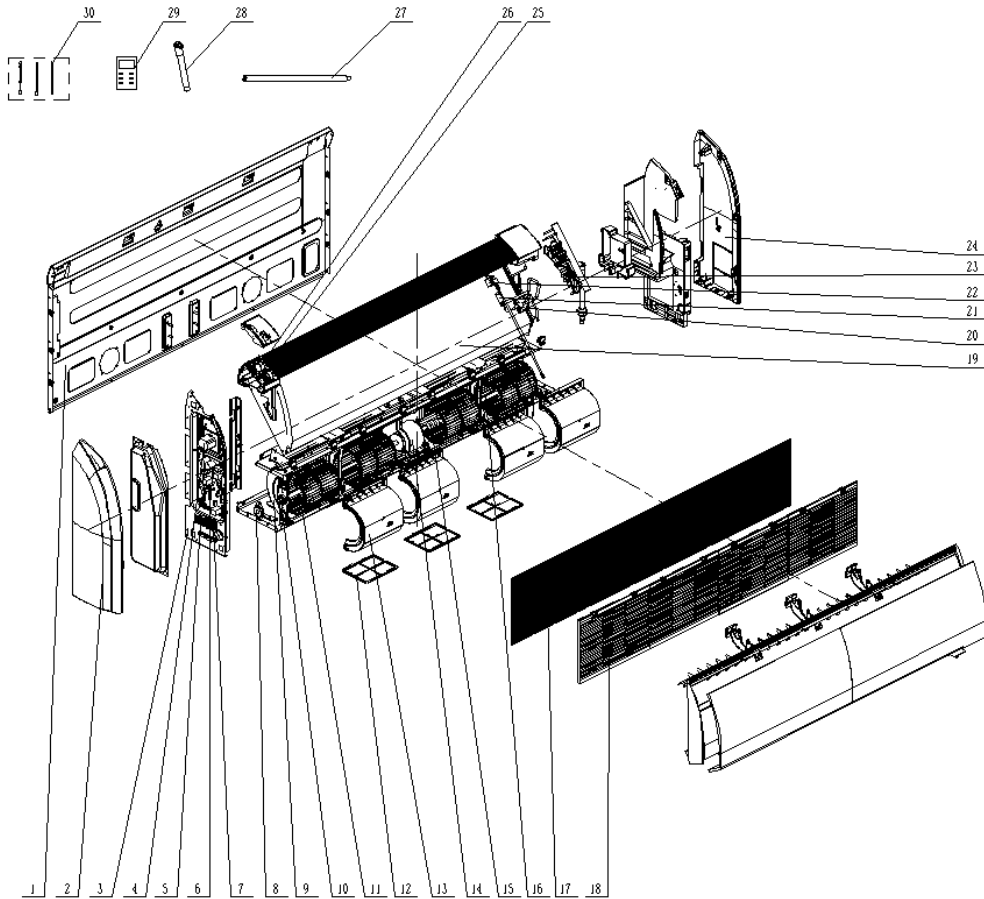


No.	Name of part	For the following unit	
		Unit	Product Code
		GMV-ND112ZD/B-T	CM600N0610
		GMV-ND125ZD/B-T	CM600N0530
		Part code	Quantity
1	Seat Board Sub-Assy	017080060020	1
2	Left Side Plate	2690940007001	1
3	Inductance	43128000014	1

No.	Name of part	For the following unit	
		Unit	Product Code
		GMV-ND112ZD/B-T	CM600N0610
		GMV-ND125ZD/B-T	CM600N0530
	Part code	Quantity	
4	Main Board	30002061965	1
5	Terminal Board	42200006005404	1
6	Terminal Board	42000100000204	1
7	Electric Box Assy	100002070925	1
8	Support Of Motor Bearing	01792408	2
9	Propeller Housing(Lower)	200230000001	4
10	Bearing Holder Sub-assy	26909400050	2
11	Centifugal Fan	103003000001	4
12	Filter Sub-Assy	111001000001	3
13	Propeller Housing(Upper)	200230000002	4
14	Brushless DC Motor	15709400005	1
15	Joint Slack	73018731	2
16	Roller Wheel	700004000001	2
17	Filter Sub-Assy	11729400004	4
18	Front Grill	2690940007201	4
19	Drainage Pipe Sub-assy	05235434	1
20	Evaporator Assy	011001061609	1
21	Strainer	0721304401	2
22	Electronic Expansion Valve	072009060045	1
23	Electric expand valve fitting	4304413203	1
24	Strainer	035021060019	1
25	Right Side Plate	2690940007101	1
26	Display Board	30294000009	1
27	Stepping Motor	1521240215	2
28	Corrugated Pipe	0502511201	1
29	Sensor Sub-assy	39008000100G	1
30	Remote Controller	30510589	1

Above data is subject to change without notice, pls reference the SP in global service website.

Exploded View of GMV-ND140ZD/B-T, GMV-ND160ZD/B-T:



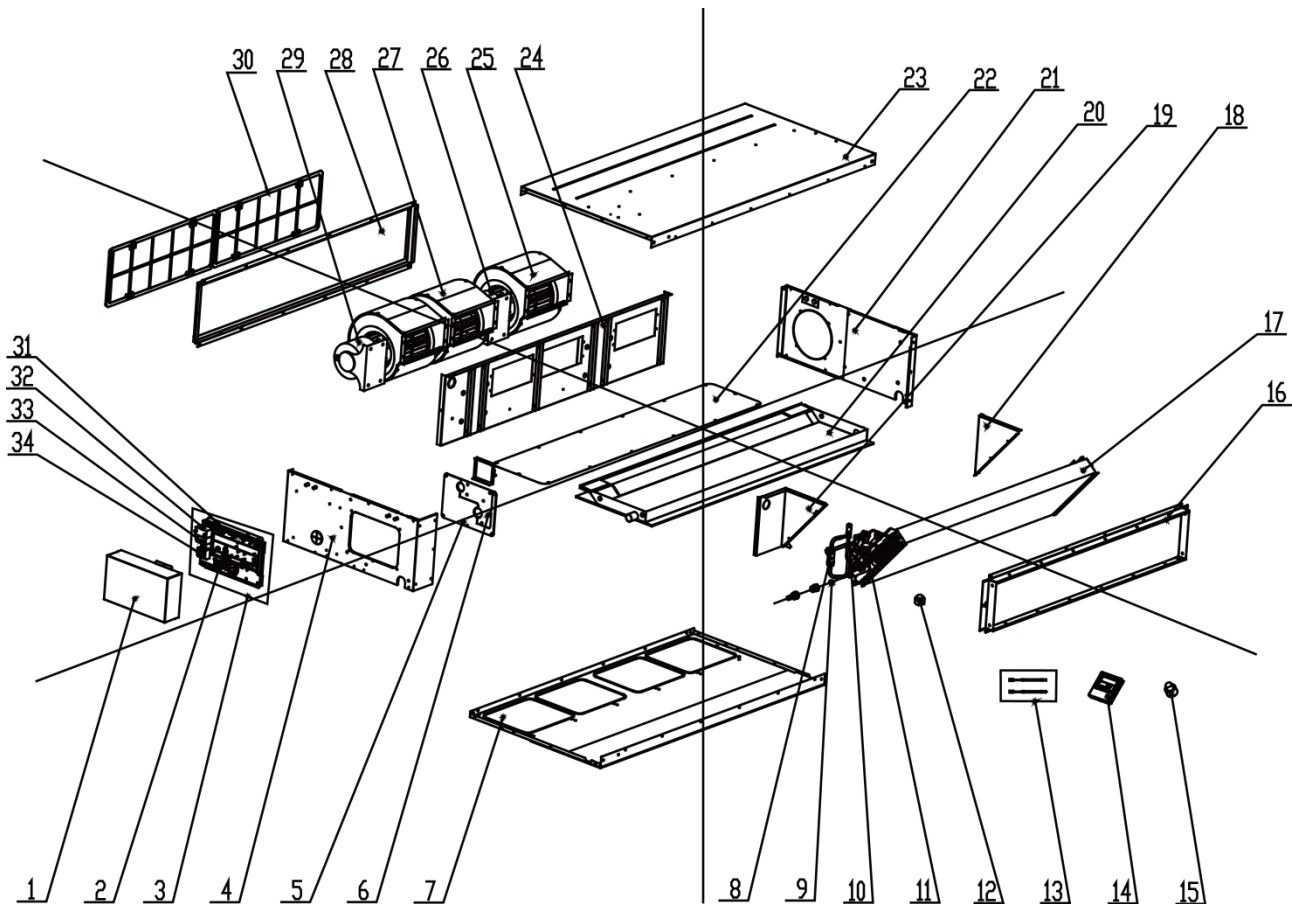
No.	Name of part	For the following unit	
		Unit	Product Code
		GMV-ND140ZD/B-T	CM600N0600
		GMV-ND160ZD/B-T	CM600N0560
		Part code	Quantity
1	Seat Board Sub-Assy	017080060020	1
2	Left Side Plate	2690940007001	1
3	Electric Box Assy	100002070925	1
4	Inductance	43128000014	1
5	Terminal Board	42200006005404	1
6	Main Board	300002061965	1
7	Terminal Board	42000100000204	1
8	Support Of Motor Bearing	01792408	2
9	Propeller Housing(Lower)	200230000001	4
10	Bearing Holder Sub-assy	26909400050	2
11	Centifugal Fan	103003000001	4
12	Filter Sub-Assy	111001000001	3
13	Propeller Housing(Upper)	200230000002	4
14	Brushless DC Motor	15709400005	1
15	Joint Slack	73018731	2
16	Roller Wheel	700004000001	2
17	Filter Sub-Assy	11729400004	4
18	Front Grill	2690940007201	4
19	Evaporator Assy	011001061569(160) 011001061836(140)	1

No.	Name of part	For the following unit	
		Unit	Product Code
		GMV-ND140ZD/B-T	CM600N0600
		GMV-ND160ZD/B-T	CM600N0560
		Part code	Quantity
20	Strainer	0721304401	1
21	Electronic Expansion Valve	072009060045	1
22	Electric Expand Valve Fitting	4304413203	1
23	Strainer	035021060019	1
24	Right Side Plate	2690940007101	1
25	Display Board	30294000009	1
26	Stepping Motor	1521240215	2
27	Drainage Pipe Sub-Assy	05235434	1
28	Corrugated Pipe	035030000005	1
29	Remote Controller	30510589	1
30	Sensor Sub-Assy	39008000100G	1

Above data is subject to change without notice, pls reference the SP in global service website.

5.10 Fresh air Processing Unit

Exploded View of GMV-NX140P/A(X1.2)-K:

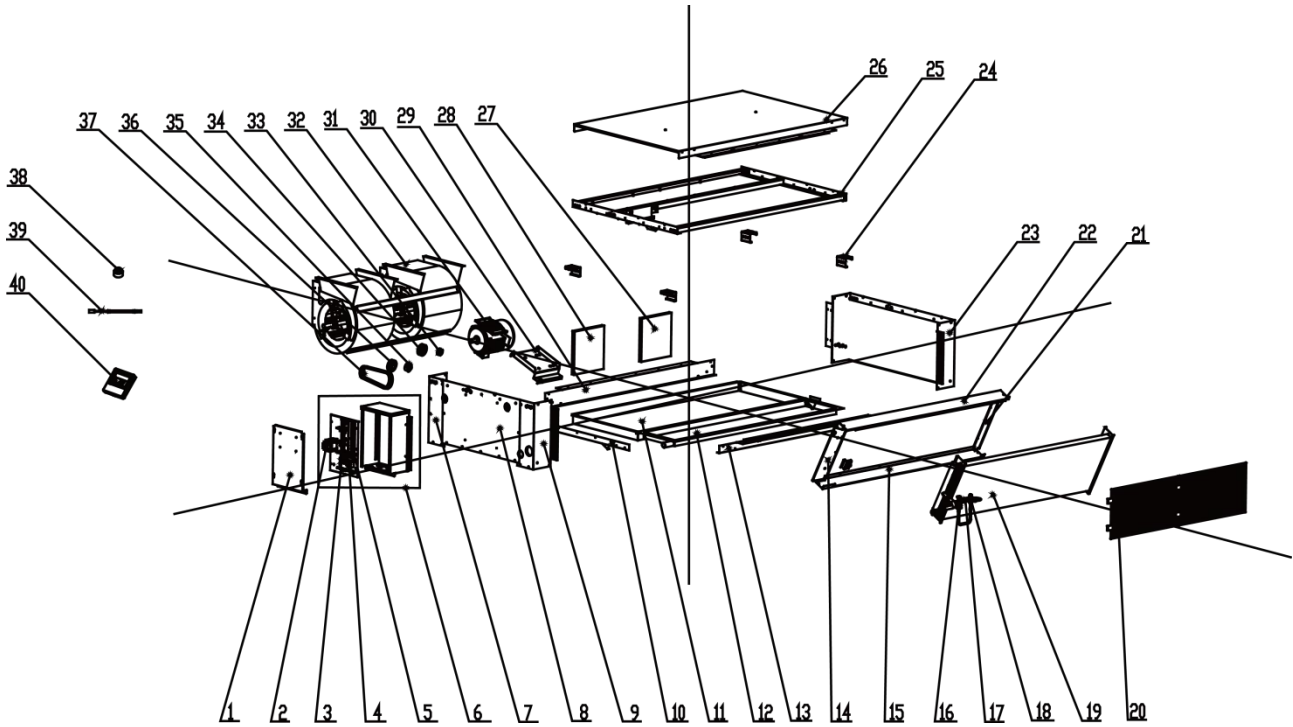


No.	Model	GMV-NX140P/A(X1.2)-K	
	Product Code	CM800N3610	
	Part Name	Part Code	
1	Electric Box Cover	01424100071	1
2	Terminal Board	42011106	1

No.	Model	GMV-NX140P/A(X1.2)-K	Quantity
	Product Code	CM800N3610	
	Part Name	Part Code	
3	Electric Box Assy	01394100199	1
4	Left Side Plate Assy	01314100058	1
5	Seal Of Left Side Plate Sub-Assy	01495212	1
6	Seal Of Connection Pipe	01495213	1
7	Bottom Cover Plate Assy	0125860301	1
8	Strainer	0741410000601	1
9	Filter Sub-Assy	07210028	1
10	Electronic Expansion Valve	07334412	1
11	Filter	07415210	1
12	Electric Expand Valve Fitting	4304413219	1
13	Sensor sub-assy	39004167G	1
14	Display Board	30296106	1
15	Choke Plug of Water Pipe	76712454	1
16	Border Plate of Air Outlet Sub-Assy	01374100036	1
17	Evaporator Assy	01024100061	1
18	Evaporator	01805221	1
19	Left Evaporator Support	01804100006	1
20	Water Tray Assy	01285229	1
21	Right Side Plate Assy	01308679	1
22	Cover Of Air-In	01258602	1
23	Top Cover Board Assy	01264625	1
24	Fan Motor Mounting Plate Sub-Assy	01325293	1
25	Blower	15018603	2
26	Fan Motor	1570520901	1
27	Blower	15018604	1
28	Air intake side-board Sub-assy	01375221	1
29	Fan Motor	1570521001	1
30	Filter Sub-Assy	11725205	2
31	Main Board	30226000052	1
32	Capacitor CBB61	33010056	1
33	Capacitor CBB61	33010064	1
34	Terminal Board	4201800002601	1

Above data is subject to change without notice, pls reference the SP in global service website.

Exploded View of GMV-NX224P/A(X2.0)-M:

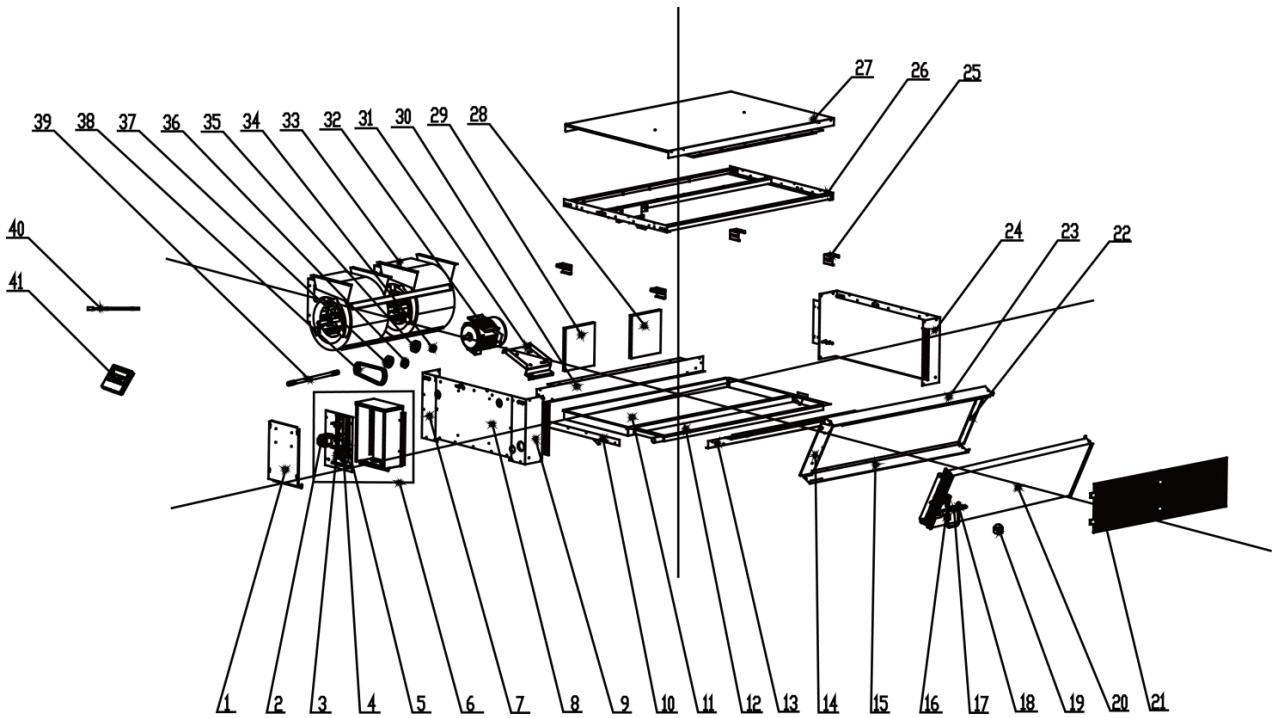


No.	Model	GMV-NX224P/A(X2.0)-M		Quantity
	Product Code	CM800N3620		
	Part Name	Part Code		
1	Electric Box Cover	014191411		1
2	AC Contactor	44010287		1
3	Terminal Board	42000100000401		1
4	Terminal Board	4201800002601		1
5	Main Board	30226000052		1
6	Electric Box Assy	01394100332		1
7	Right Side Plate Sub-Assy	01309105		1
8	Access panel sub-assy	01544126		1
9	Right Side Plate Sub-Assy	01314209		1
10	Side beam assy	01874178		1
11	Chassis Sub-assy	01194136		1
12	Water Collecting Tray Assy	01284142		1
13	Front Frame sub- assy	01874184		1
14	Air Guard	01354112		1
15	Base plate (evaporator)	01079114		1
16	Filter	07415210		1
17	Strainer	0741410000601		1
18	Electronic Expansion Valve	07334390		1
19	Evaporator Assy	1024100064		1
20	Filter Sub-Assy	11129070		2
21	Air Guard	01354111		1
22	Cover Plate Sub-Assy of Evaporator	01094109		1
23	Left Side Plate Assy	01314208		1
24	Hook	02205302		4
25	Suspending Rack	01729165		1
26	Top Cover Assy	01259106		1

No.	Model	GMV-NX224P/A(X2.0)-M		Quantity
	Product Code	CM800N3620		
	Part Name	Part Code		
27	Place with a draught of Connection board	01389079		1
28	Place with a draught of Connection board	01389077		1
29	Rear beam sub-assy	01779108		1
30	Motor Retaining Plate Sub-Assy	01845309		1
31	Fan Motor	157060000701		1
32	Motor	15009059		1
33	Taper Sleeve	10548211		1
34	Belt Wheel	10548158		1
35	Taper Sleeve	10548218		1
36	Belt Wheel	10548150		1
37	Belt	76318317		2
38	Electric Expand Valve Fitting	4304413219		1
39	Sensor sub-assy	39004165G		1
40	Display Board	30296000040		1

Above data is subject to change without notice, pls reference the SP in global service website.

Exploded View of GMV-NX280P/A(X2.5)-M, GMV-NX280P/A(X3.0)-M:

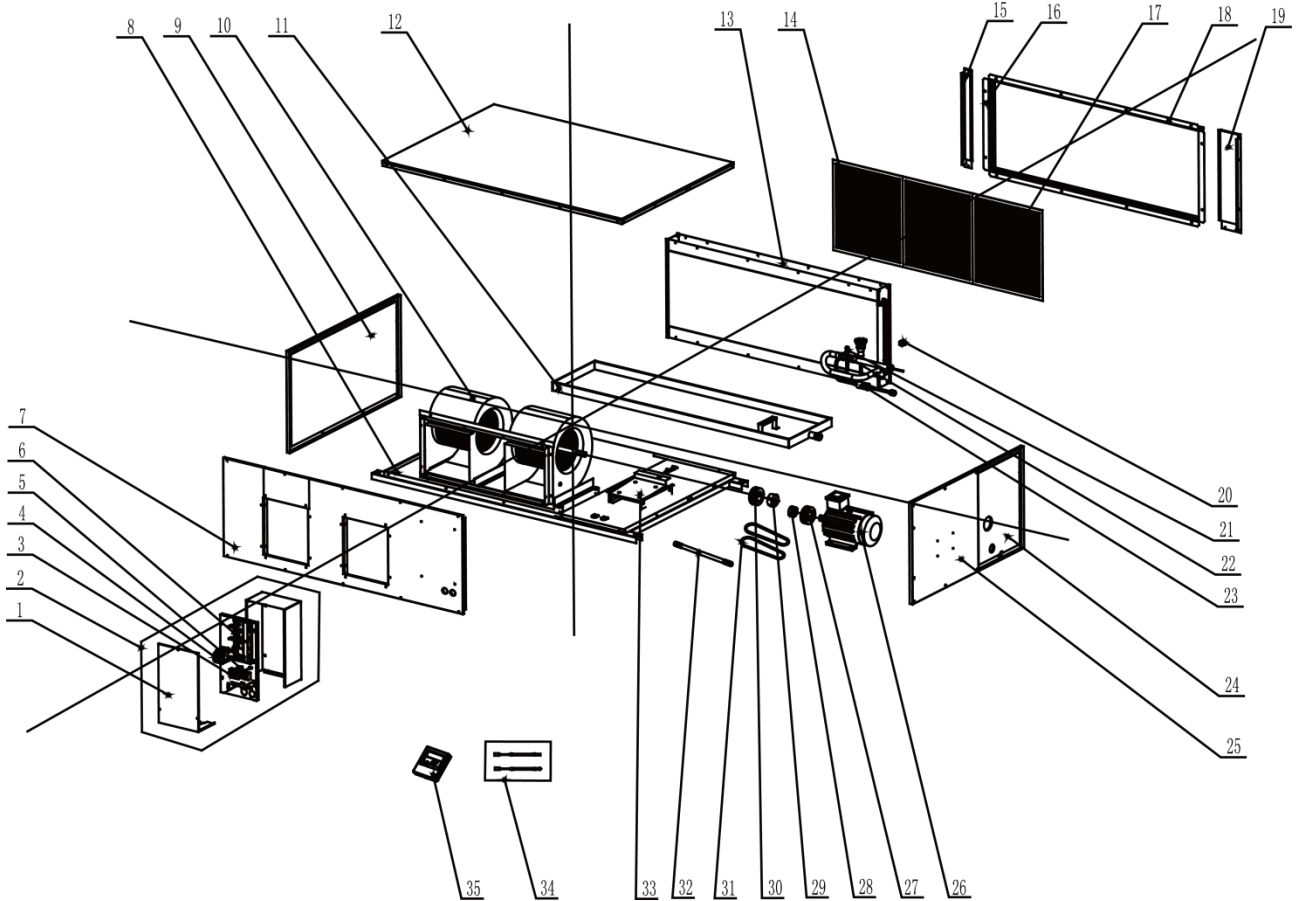


No.	Model	GMV-NX280P/A(X2.5)-M	GMV-NX280P/A(X3.0)-M	Quantity
	Product Code	CM800N3630	CM800N3630	
	Part Name	Part Code	Part Code	
1	Electric Box Cover	014191411	014191411	1
2	AC Contactor	44010287	44010287	1
3	Terminal Board	42000100000401	42000100000401	1
4	Terminal Board	4201800002601	4201800002601	1
5	Main Board	30226000052	30226000052	1
6	Electric Box Assy	01394100332	01394100332	1
7	Right Side Plate Sub-Assy	01309105	01309105	1
8	Access panel sub-assy	01544126	01544126	1

No.	Model	GMV-NX280P/A(X2.5)-M	GMV-NX280P/A(X3.0)-M	Quantity
	Product Code	CM800N3630	CM800N3630	
	Part Name	Part Code	Part Code	
9	Right Side Plate Sub-Assy	01314209	01314209	1
10	Side beam assy	01874178	01874178	1
11	Chassis Sub-assy	01194136	01194136	1
12	Water Collecting Tray Assy	01284142	01284142	1
13	Front Frame sub- assy	01874184	01874184	1
14	Air Guard	01354112	01354112	1
15	Base plate (evaporator)	01079114	01079114	1
16	Filter	07415210	07415210	1
17	Strainer	0741410000601	0741410000601	1
18	Electronic Expansion Valve	07334390	07334390	1
19	Electric Expand Valve Fitting	4304413219	4304413219	1
20	Evaporator Assy	1024100092	1024100092	1
21	Filter Sub-Assy	11129070	11129070	2
22	Air Guard	01354111	01354111	1
23	Cover Plate Sub-Assy of Evaporator	01094109	01094109	1
24	Left Side Plate Assy	01314208	01314208	1
25	Hook	02205302	02205302	4
26	suspending rack	01729165	01729165	1
27	Top Cover Assy	01259106	01259106	1
28	place with a draught of Connection board	01389079	01389079	1
29	place with a draught of Connection board	01389077	01389077	1
30	Rear beam sub-assy	01779108	01779108	1
31	Motor Retaining Plate Sub-Assy	01845309	01845309	1
32	Fan Motor	1570600000701	1570600000701	1
33	Motor	15009059	15009059	1
34	Taper Sleeve	10548211	10548211	1
35	Belt Wheel	10548156	10548157	1
36	Taper Sleeve	10548218	10548218	1
37	Belt Wheel	10548149	10548150	1
38	Belt	76318340	76318317	2
39	Rotating Shaft	10549057	10549057	1
40	Sensor sub-assy	39004165G	39004165G	1
41	Display Board	30296000040	30296000040	1

Above data is subject to change without notice, pls reference the SP in global service website.

Exploded View of GMV-NX450P/A(X4.0)-M:

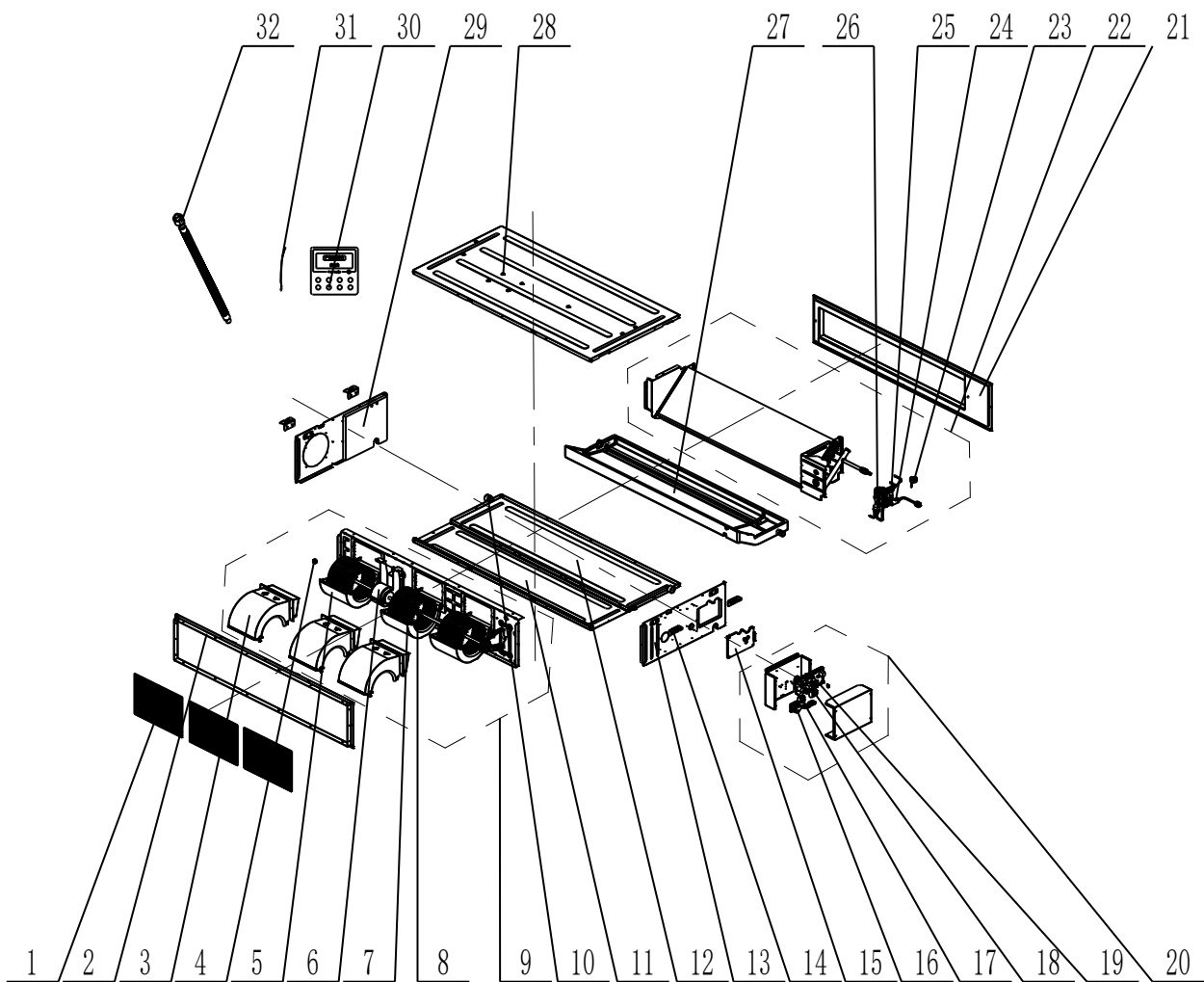


No.	Model	GMV-NX450P/A(X4.0)-M	Quantity
	Product Code	CM800N3740	
	Part Name	Part Code	
1	Electric Box Cover	01425304P	1
2	Electric Box Assy	01394100243	1
3	Terminal Board	42018000593	1
4	AC Contactor	44010287	1
5	Terminal Board	420180002601	1
6	Main Board	30226000052	1
7	Air Outlet Panel sub-assy	01545213	1
8	Base Frame Assy	01286000551	1
9	Side panel sub-assy	01545212	1
10	Motor	15705214	1
11	Water Collecting Tray Assy	01284169	1
12	Top Cover Sub-Assy	01265209	1
13	Evaporator Assy	01024100062	1
14	Filter Sub-Assy	11129079	1
15	Retaining Plate Assy	01845207	1
16	Longitudinal Beam of return air frame	01875208P	2
17	Filter Sub-Assy	11129078	2
18	Return Air Frame Sub-Assy	01375208P	2
19	Retaining Plate Sub-Assy	01845205	1
20	Electric Expand Valve Fitting	4304413219	1
21	Electronic Expansion Valve	07334390	1
22	Filter	07218603	1

No.	Model	GMV-NX450P/A(X4.0)-M	Quantity
	Product Code	CM800N3740	
	Part Name	Part Code	
23	Gas Tube Filter	072190511	1
24	Side panel sub-assy	01545208	1
25	Side panel sub-assy	01545210	1
26	Fan Motor	1570600000501	1
27	Belt Wheel	10548150	1
28	Taper Sleeve	10548213	1
29	Taper Sleeve	10548218	1
30	Belt Wheel	10548158	1
31	Belt	76318342	2
32	Rotating Shaft	02285304	1
33	Retaining Plate	01844100065	1
34	Temperature Sensor	39008000092G	1
35	Display Board	30296000040	1

Above data is subject to change without notice, pls reference the SP in global service website.

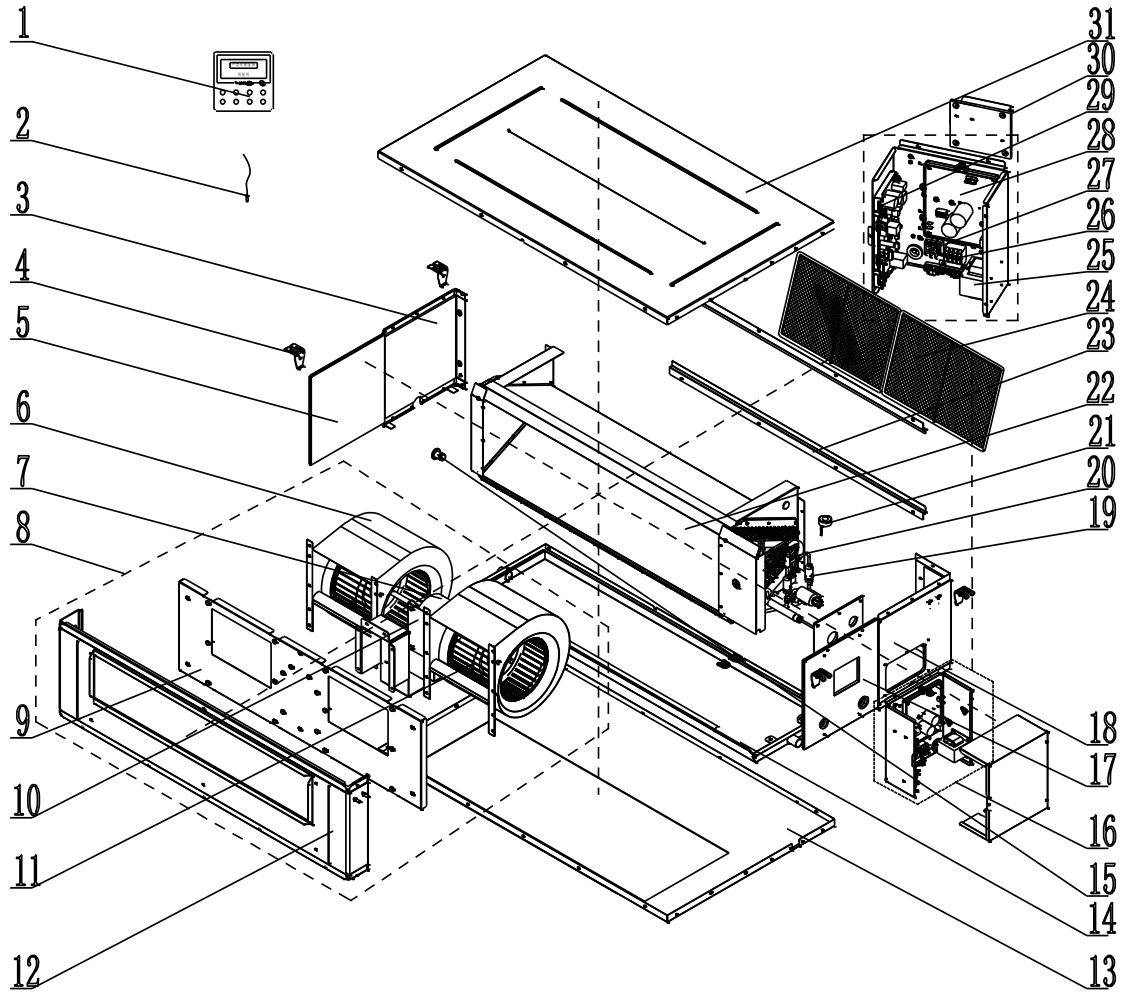
Exploded View of GMV-NDX125P/A-T, GMV-NDX140P/A-T:



No.	Name of part	For the following unit	
		Unit	Product Code
		GMV-NDX125P/A-T	CM810N1220
		GMV-NDX140P/A-T	CM810N1020
	Part code	Quantity	
1	Filter Sub-Assy	111001000052	3
2	Return Air Frame Sub-Assy	017026000003	1
3	Propeller Housing(Upper)	26905200078	3
4	Fan Bearing	7651221001	1
5	Propeller Housing(Lower)	26905200079	3
6	Brushless DC Motor	1570940000601	1
7	Centrifugal Fan	10455200003	3
8	Joint Slack	73018731	1
9	Centrifugal fan assy	000052000028	1
10	Choke Plug of Drain Pipe	76815214	1
11	Cover Plate(Air return)	01265200123	1
12	Bottom Cover Plate	01265200125	1
13	Left Side Plate Assy	01315200147	1
14	Hook	02112466	4
15	Seal plate Assy	01495200039	1
16	Reactor	43138000047	1
17	Terminal Board	42000100000101	1
18	Terminal Board	4201800002601	1
19	Main Board	300002000686	1
20	Electric Box Assy	100002003006	1
21	Air Outlet Frame Assy	01375200023	1
22	Evaporator Assy	011001000023	1
23	Electric Expand Valve Fitting	4304413215	1
24	Strainer	0741410000601	1
25	Electronic Expansion Valve	07334468	1
26	Strainer	07415210	1
27	Foam Sub-assy	12505200021	1
28	Top Cover Board Assy	01264100105	1
29	Right Side Plate Assy	01315200148	1
30	Display Board	30296000040	1
31	Sensor Sub-assy	390002000063	1
32	Corrugated Pipe	05015408	1

Above data is subject to change without notice, pls reference the SP in global service website.

Exploded View of GMV-NDX224P/A-T, GMV-NDX250P/A-T, GMV-NDX280P/A-T:



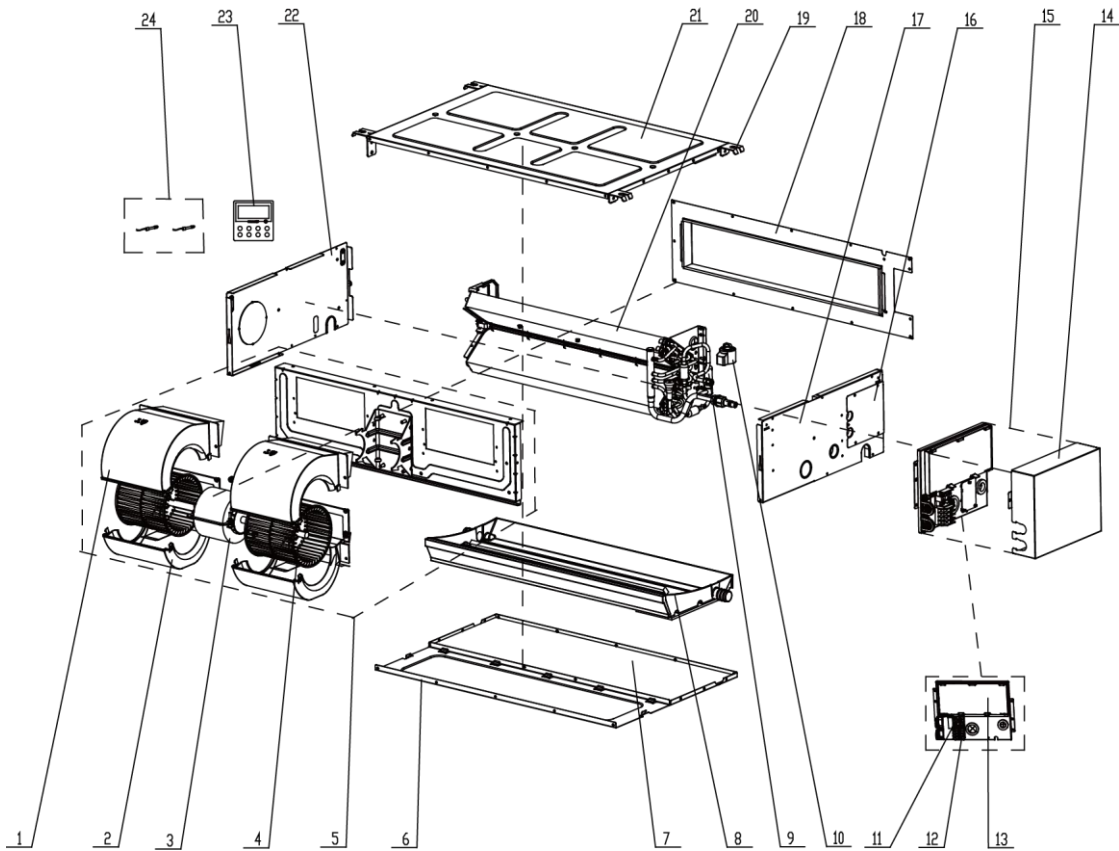
No.	Name of part	For the following unit		For the following unit	
		Unit	Product Code	Unit	Product Code
		GMV-NDX224P/A-T	CM810N0260	GMV-NDX280P/A-T	CM810N0270
		GMV-NDX250P/A-T	CM810N1230	-	-
		Part code	Quantity	Part code	Quantity
1	Display Board	30296000040	1	30296000040	1
2	Sensor sub-assy	39004165G	1	39004165G	1
3	Left side plate assy	01315367	1	01315367	1
4	Hook	02112466	4	02112466	4
5	Left side plate sub-assy 1	01315376	1	01315376	1
6	Motor for Centrifugal Fan	1570530601	1	1570530601	1
7	Brushless DC Motor	15704100009	1	15704100009	1
8	Centrifugal fan assy	15404100075	1	15404100075	1
9	Blower Mounting Plate Sub-Assy	01324100064	1	01324100064	1
10	Motor Support	01805200228	1	01805200228	1
11	Blower(Right)	15705307	1	15705307	1
12	Front Side Plate assy	01314627	1	01314627	1
13	Bottom Cover Plate Assy	01265357	1	01265357	1
14	Water Tray Assy	000069060067	1	000069060067	1
15	Rubber Plug	76815200002	1	76815200002	1

No.	Name of part	For the following unit		For the following unit	
		Unit	Product Code	Unit	Product Code
		GMV-NDX224P/A-T	CM810N0260	GMV-NDX280P/A-T	CM810N0270
		GMV-NDX250P/A-T	CM810N1230	-	-
		Part code	Quantity	Part code	Quantity
16	Electric Box Assy	01394100573	1	01394100573	1
17	Right side plate sub-assy 1	01314100086	1	01314100086	1
18	Right Side Plate Assy	01314321	1	01314321	1
19	Strainer	0741410000601	1	0741410000601	1
20	Electronic Expansion Valve	07331139	1	07331139	1
21	Electric Expand Valve Fitting	4304413205	1	4304413205	1
22	Evaporator Assy	01024100119	1	0102410011901	1
23	filter guide groove	02284107	2	02284107	2
24	Filter Sub-Assy	11725211	2	11725211	2
25	Reactor	43130189	1	43130189	1
26	Terminal Board	4201800002601	1	4201800002601	1
27	Terminal board	4200010000020 2	1	4200010000020 2	1
28	Main Board	30221000023	1	30221000023	1
29	Main Board	30226000090	1	30226000090	1
30	Radiator	49018000068	1	49018000068	1
31	Top Cover Board Assy	01265359	1	01265359	1

Above data is subject to change without notice, pls reference the SP in global service website.

5.11 Slim Duct Type

Exploded View of GMV-ND22PL/B-T, GMV-ND25PL/B-T, GMV-ND28PL/B-T, GMV-ND32PL/B-T
GMV-ND36PL/B-T:

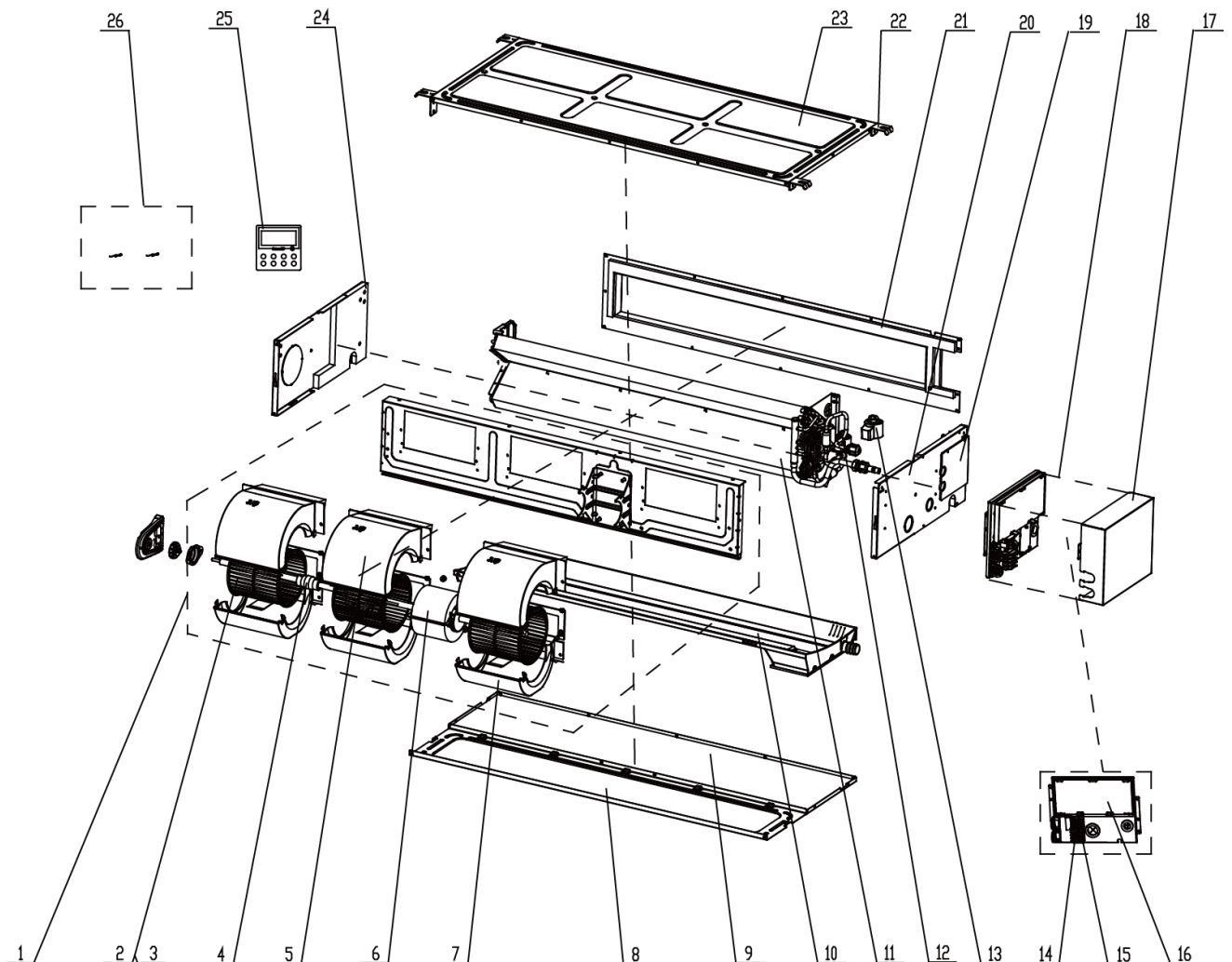


No.	Name of part	For the following unit	
		Unit	Product Code
		GMV-ND22PL/B-T	CM800N3560
		GMV-ND25PL/B-T	CM810N0010
		GMV-ND28PL/B-T	CM810N0020
		GMV-ND32PL/B-T	CM800N3570
		GMV-ND36PL/B-T	CM810N0030
		Part code	Quantity
1	Propeller Housing(Upper)	26905200018	2
2	Propeller Housing(Lower)	26905200019	2
3	Fan Motor	15704100001	1
4	Centrifugal Fan	10425200003	2
5	Centrifugal fan assy	15404100031	1
6	Cover Plate	01265200057	1
7	Bottom Cover Plate Assy	01265200065	1
8	Water Tray Assy	01285200020	1
9	Electronic Expansion Valve	07334463	1
10	Electric Expand Valve Fitting	4304413215	1
11	Terminal Board	42011106	1
12	Terminal Board	4201800002601	1
13	Main Board	30226000029	1
14	Electric Box Cover	01425200023	1
15	Electric Box Assy	01394100160	1

No.	Name of part	For the following unit	
		Unit	Product Code
		GMV-ND22PL/B-T	CM800N3560
		GMV-ND25PL/B-T	CM810N0010
		GMV-ND28PL/B-T	CM810N0020
		GMV-ND32PL/B-T	CM800N3570
		GMV-ND36PL/B-T	CM810N0030
Part code	Quantity		
16	Closing Plate Sub-Assy	01494100010	1
17	Left Side Plate Assy	01314100076	1
18	Air Outlet Frame Assy	01374100057	1
19	Hook	01344100034	4
20	Evaporator Assy	01024100039	1
21	Top Cover Board Assy	01265200066	1
22	Right Side Plate Assy	01315200053	1
23	Display Board	01315200053	1
24	Sensor Sub-assy	39004168G	1

Above data is subject to change without notice, pls reference the SP in global service website.

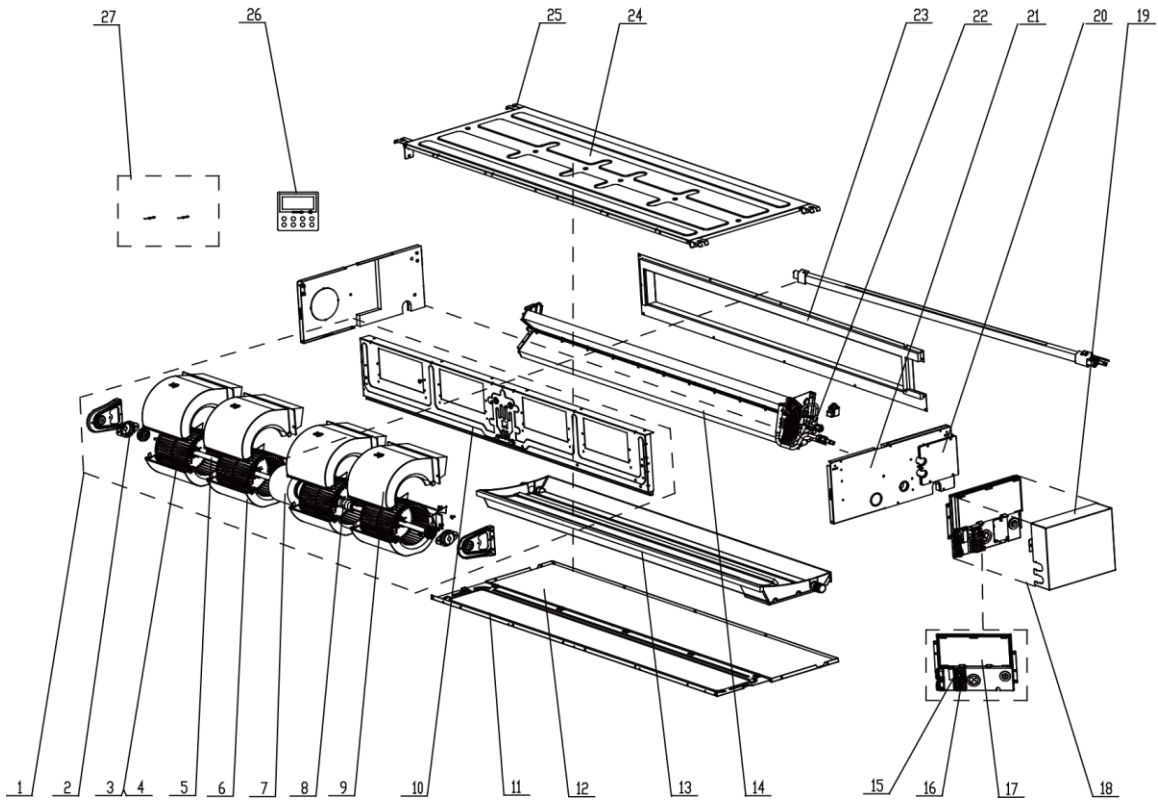
Exploded View of GMV-ND40PL/B-T, GMV-ND45PL/B-T, GMV-ND50PL/B-T, GMV-ND56PL/B-T, GMV-ND63PL/B-T:



No.	Name of part	For the following unit	
		Unit	Product Code
		GMV-ND40PL/B-T	CM800N3580
		GMV-ND45PL/B-T	CM810N0040
		GMV-ND50PL/B-T	CM810N0050
		GMV-ND56PL/B-T	CM800N3590
		GMV-ND63PL/B-T	CM810N0060
		Part code	Quantity
1	Centrifugal fan assy	15404100032	1
2	Centrifugal Fan	10425200003	3
3	Fan Bearing	76512210	1
4	Joint Slack	73018731	1
5	Propeller Housing(Upper)	26905200018	3
6	Fan Motor	15704100001	1
7	Propeller Housing(Lower)	26905200019	3
8	Cover Of Air-in	01265200073	1
9	Bottom Cover Plate Assy	01265200071	1
10	Water Tray Assy	01285200022	1
11	Evaporator Assy	01024100042	1
12	Electronic Expansion Valve	07334466	1
13	Terminal Board	42011106	1
14	Terminal Board	4201800002601	1
15	Main Board	30226000029	1
16	Magnetic Ring	49010104	1
17	Electric Box Cover	01425200023	1
18	Electric Box Assy	01394100241	1
19	Closing Plate Sub-Assy	01494100010	1
20	Left Side Plate Assy	01314100076	1
21	Air Outlet Frame Assy	01374100058	1
22	Hook	01344100034	4
23	Top Cover Board Assy	01265200068	1
24	Right Side Plate Assy	01315200053	1
25	Display Board	30296000040	1
26	Sensor Sub-assy	39004168G	1

Above data is subject to change without notice, pls reference the SP in global service website.

Exploded View of GMV-ND72PL/B-T:

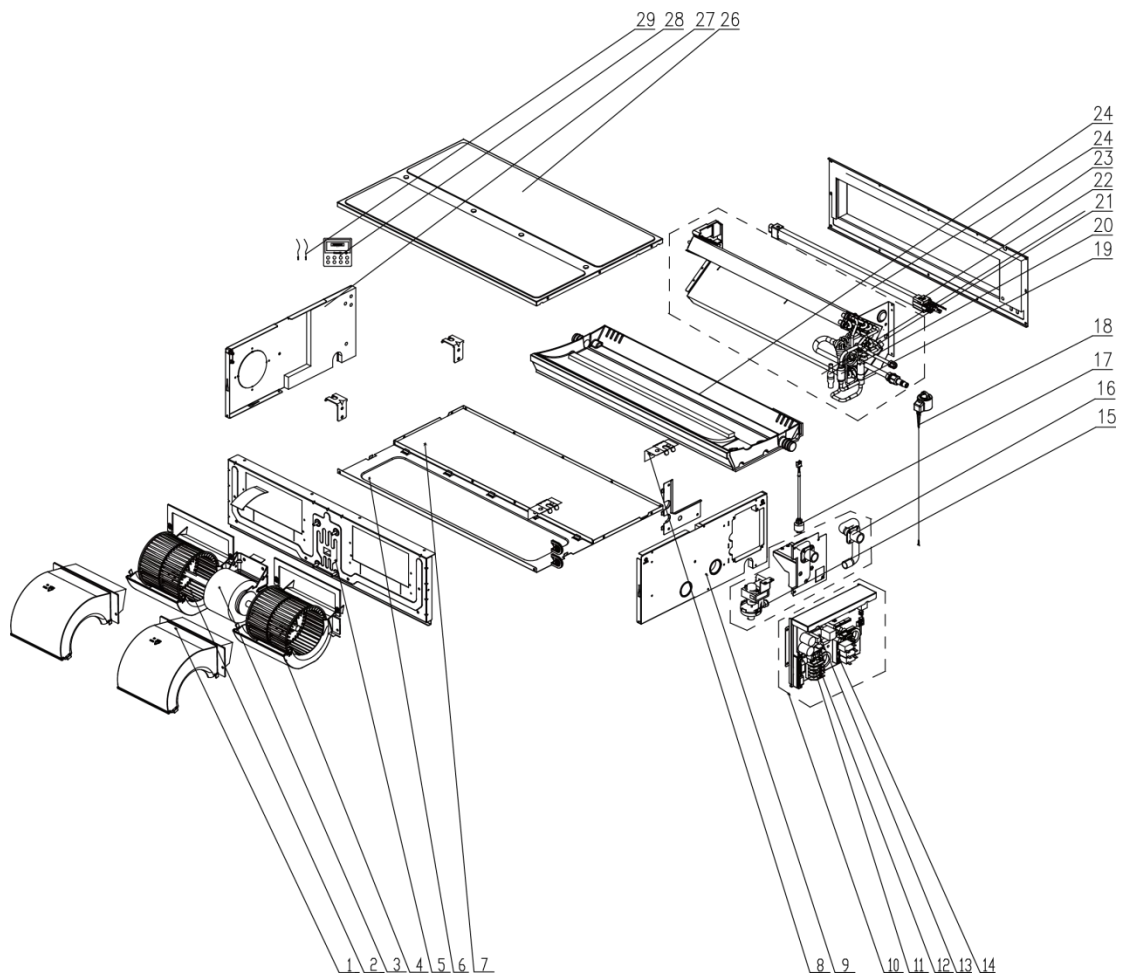


No.	Name of part	For the following unit	
		Unit	Product Code
		GMV-ND72PL/B-T	CM800N3600
		Part code	Quantity
1	Centrifugal fan assy	15404100032	1
2	Bearing Holder Sub-assy	26151139	2
3	Centrifugal Fan	10425200003	4
4	Fan Bearing	76512210	1
5	Rotary Axis Sub-Assy	73018761	2
6	Propeller Housing(Lower)	26905200019	4
7	DC brushless motor	15704100001	1
8	Joint Slack	73018731	2
9	Propeller Housing(Upper)	26905200018	4
10	Blower Mounting Plate Sub-Assy	01325200053	1
11	Cover Of Air-in	01265200085	1
12	Bottom Cover Plate Assy	01265200093	1
13	Water Tray Assy	01285200029	1
14	Evaporator Assy	01024100076	1
15	Terminal Board	42011106	1
16	Terminal Board	4201800002601	1
17	Main Board	30226000029	1
18	Electric Box Assy	01394100241	1
19	Electric Box Cover	01425200023	1
20	Closing Plate Sub-Assy	01494100010	1
21	Right Side Plate Assy	01315200053	1
22	Electronic Expansion Valve	07334466	1
23	Air Outlet Frame Assy	01374100059	1

No.	Name of part	For the following unit	
		Unit	Product Code
		GMV-ND72PL/B-T	CM800N3600
		Part code	Quantity
24	Top Cover Board Assy	0126520009201	1
25	Hook	01344100034	4
26	Display Board	30296000040	1
27	Sensor Sub-assy	39004168G	1

Above data is subject to change without notice, pls reference the SP in global service website.

Exploded View of GMV-ND22PLS/B1-T, GMV-ND25PLS/B1-T, GMV-ND28PLS/B1-T, GMV-ND32PLS/B1-T, GMV-ND36PLS/B1-T:

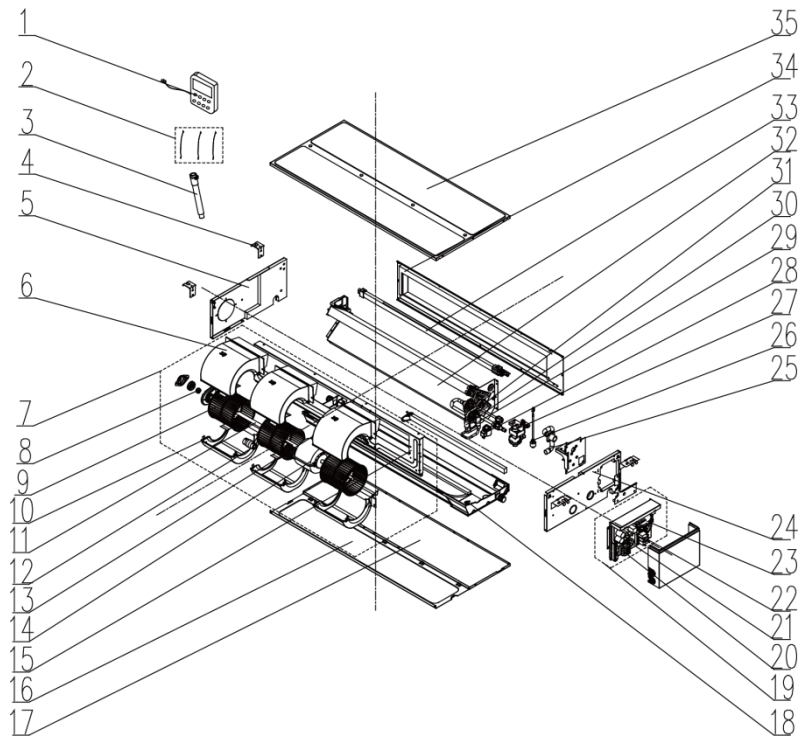


No.	Name of part	For the following unit	
		Unit	Product Code
		GMV-ND22SPL/B1-T	CM810N1580
		GMV-ND25SPL/B1-T	CM810N1570
		GMV-ND28SPL/B1-T	CM810N1340
		GMV-ND32SPL/B1-T	CM810N1560
		GMV-ND36SPL/B1-T	CM810N1330
Part code	Quantity		
1	Propeller Housing(Upper)	26905200018	2
2	Centrifugal Fan	10425200003	2
3	Brushless DC Motor	15704100001	1
4	Propeller Housing(Lower)	26905200019	2

No.	Name of part	For the following unit	
		Unit	Product Code
		GMV-ND22SPL/B1-T	CM810N1580
		GMV-ND25SPL/B1-T	CM810N1570
		GMV-ND28SPL/B1-T	CM810N1340
		GMV-ND32SPL/B1-T	CM810N1560
		GMV-ND36SPL/B1-T	CM810N1330
		Part code	Quantity
5	Blower Mounting Plate Sub-Assy	01325200034	1
6	Cover Plate(Air return)	01265200057	1
7	Bottom Cover Plate Assy	01264100102	1
8	Hook	02112446	2
9	Left Side Plate Assy	01314100136	1
10	Electric Box Assy	01394100602	1
11	Terminal Board	4201800002601	1
12	Terminal Board	42011106	1
13	Main Board	30226000029	1
14	Main Board 2	30227000010	1
15	Water Pump	4313822001	1
16	Pump Drainpipe	26904100172	1
17	Water Level Switch	4501270301	1
18	Electric Expand Valve Fitting	4304413215	1
19	Electronic Expansion Valve	07334463	1
20	Strainer	07213050	1
21	Strainer	0721200102	1
23	Air Outlet Frame Assy	01374100090	1
24	Evaporator Assy	01024100202	1
25	Water Tray Assy	01285200020	1
26	Top Cover Board Assy	01265200066	1
27	Right Side Plate Assy	01315200053	1
28	Sensor Sub-assy	39004168G	1
29	Display Board	30296000026	1

Above data is subject to change without notice, pls reference the SP in global service website.

Exploded View of GMV-ND40PLS/B1-T, GMV-ND45PLS/B1-T, GMV-ND50PLS/B1-T, GMV-ND56PLS/B1-T, GMV-ND63PLS/B1-T:

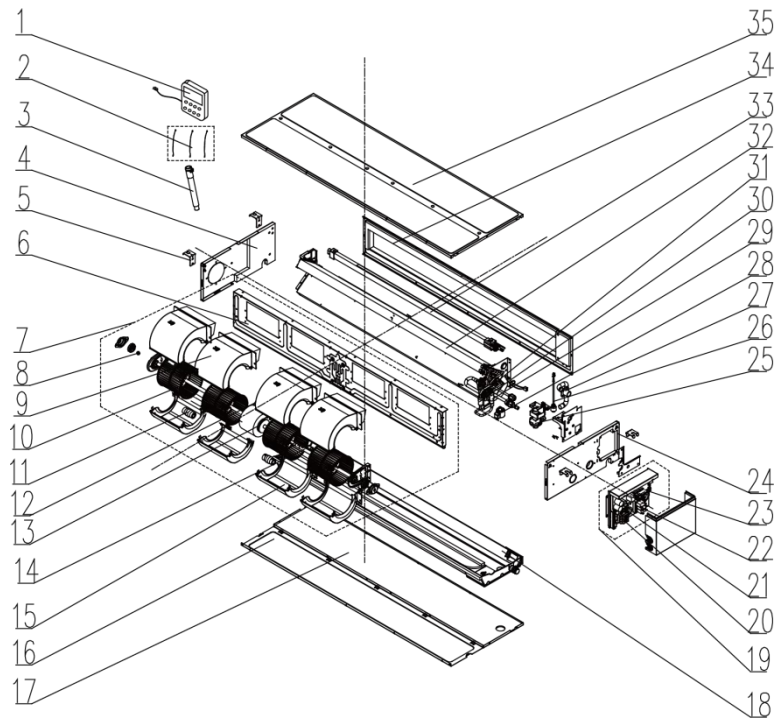


No.	Name of part	For the following unit	
		Unit	Product Code
		GMV-ND40SPL/B1-T	CM810N1550
		GMV-ND45SPL/B1-T	CM810N1350
		GMV-ND50SPL/B1-T	CM810N1540
		GMV-ND56SPL/B1-T	CM810N1530
		GMV-ND63SPL/B1-T	CM810N1360
1	Display Board	300001000054	1
2	Sensor Sub-Assy	390002000005	1
4	Hook	2112446	2
5	Right Side Plate Assy	1315200053	1
6	Propeller Housing(Upper)	26905200018	3
7	Centrifugal Fan Assy	15404100032	1
8	Fan Bearing	76512210	1
9	Centrifugal Fan	10425200003	3
10	Propeller Housing(Lower)	26905200019	3
11	Rotary Axis Sub-Assy	73018761	1
12	Joint Slack	73018731	1
13	Motor Support	1805200144	1
14	Brushless DC Motor	1570410000102	1
15	Blower Mounting Plate Sub-Assy	1325200035	1
16	Cover Of Air-In	1265200073	1
17	Bottom Cover Plate Assy	1264100103	1
18	Water Tray Assy	1285200022	1
19	Electric Box Assy	1394100615	1
20	Terminal Board	42011106	1
21	Terminal Board	4201800002601	1
23	Main Board	30226000029	1

No.	Name of part	For the following unit			
		Unit	Product Code		
				GMV-ND40SPL/B1-T	CM810N1550
				GMV-ND45SPL/B1-T	CM810N1350
				GMV-ND50SPL/B1-T	CM810N1540
				GMV-ND56SPL/B1-T	CM810N1530
		GMV-ND63SPL/B1-T	CM810N1360		
24	Left Side Plate Assy	1314100136	1		
25	Drain Hose Sub-Assy	5232050	1		
26	Water Level Switch	4501270303	1		
27	Water Pump	4313822002	1		
28	Electric Expand Valve Fitting	4304413253	1		
29	Electronic Expansion Valve	7334466	1		
30	Strainer	721200102	1		
31	Strainer	7213050	1		
32	Evaporator Assy	1024100211	1		
34	Air Outlet Frame Assy	1374100091	1		
35	Top Cover Board Assy	1265200068	1		

Above data is subject to change without notice, pls reference the SP in global service website.

Exploded View of GMV-ND71PLS/B1-T:



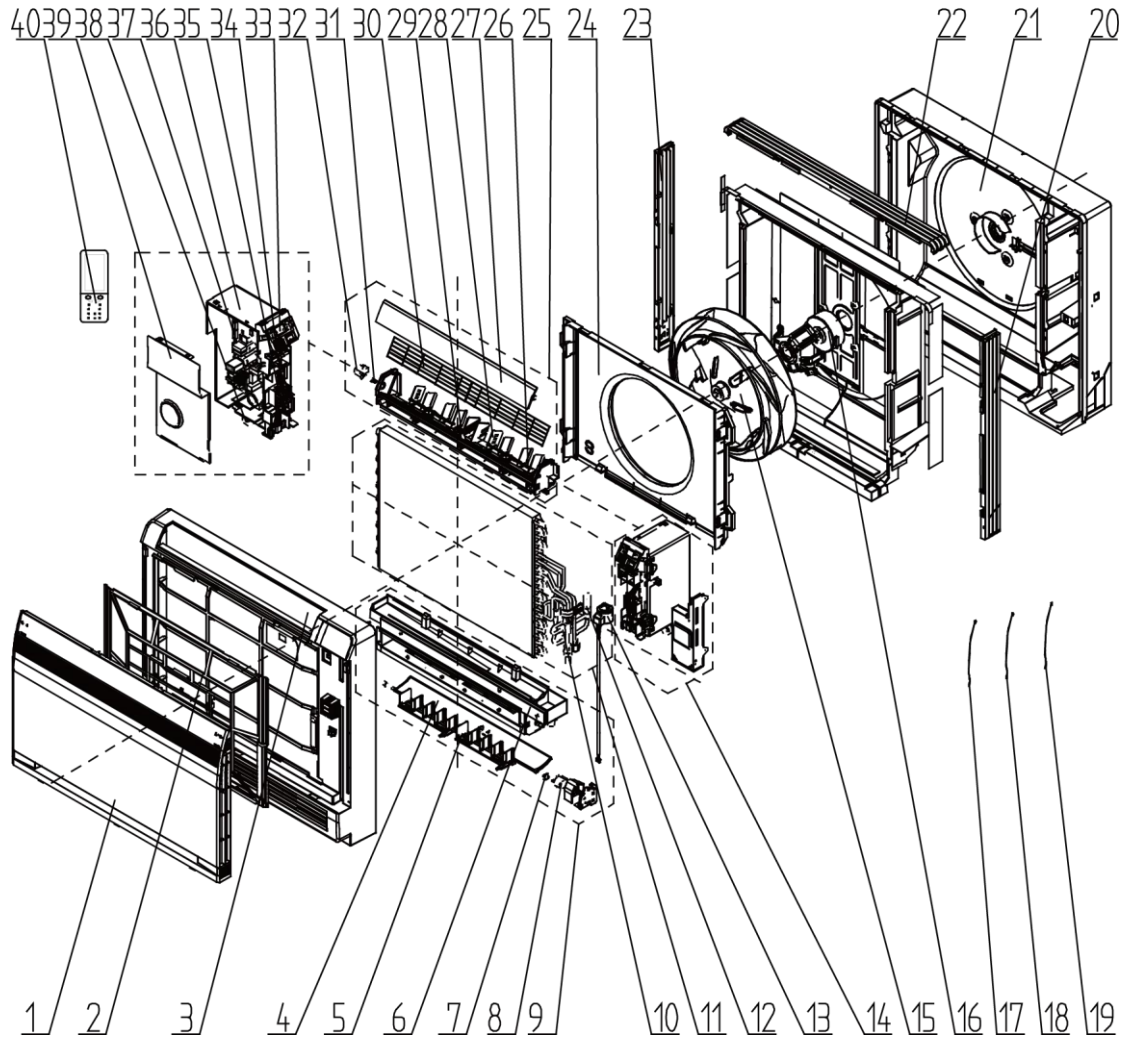
No.	Name of part	For the following unit	
		Unit	Product Code
			GMV-ND40SPL/B1-T
1	Display Board	30296000026	1
2	Sensor Sub-Assy	39004168G	1
3	Corrugated Pipe	05010051	1
4	Right Side Plate Assy	01315200053	1
5	Hook	02112446	2
6	Blower Mounting Plate Sub-Assy	01325200053	1
7	Centrifugal fan assy	15404100038	1

No.	Name of part	For the following unit	
		Unit	Product Code
		GMV-ND40SPL/B1-T	CM810N1550
8	Fan Bearing	76512210	1
9	Propeller Housing(Upper)	26905200018	4
10	Centrifugal Fan	10425200003	4
11	Joint Slack	73018731	2
12	Motor Support	01805200144	1
13	Brushless DC Motor	15704100001	1
14	Rotary Axis Sub-Assy	73018761	2
15	Propeller Housing(Lower)	26905200019	4
16	Cover Of Air-In	01265200085	1
17	Bottom Cover Plate Assy	01264100104	1
18	Water Tray Assy	01285200029	1
19	Electric Box Assy	01394100602	1
20	Terminal Board	4201800002601	1
21	Terminal Board	42011106	1
22	Main Board 2	30227000010	1
23	Main Board	30226000029	1
24	Left Side Plate Assy	01314100136	1
25	Water Pump	4313822001	1
26	Water Level Switch	4501270301	1
27	Drain Hose Sub-Assy	05232050	1
28	Electric Expand Valve Fitting	4304413215	1
29	Electronic Expansion Valve	07334466	1
30	Strainer	07213050	1
31	Strainer	0721200102	1
32	Evaporator Assy	01024100197	1
34	Air Outlet Frame Assy	01374100092	1
35	Top Cover Board Assy	01265200092	1

Above data is subject to change without notice, pls reference the SP in global service website.

5.12 Console Type Indoor Unit

Exploded View of GMV-ND22C/A-T, GMV-ND28C/A-T, GMV-ND36C/A-T, GMV-ND45C/A-T, GMV-ND50C/A-T:



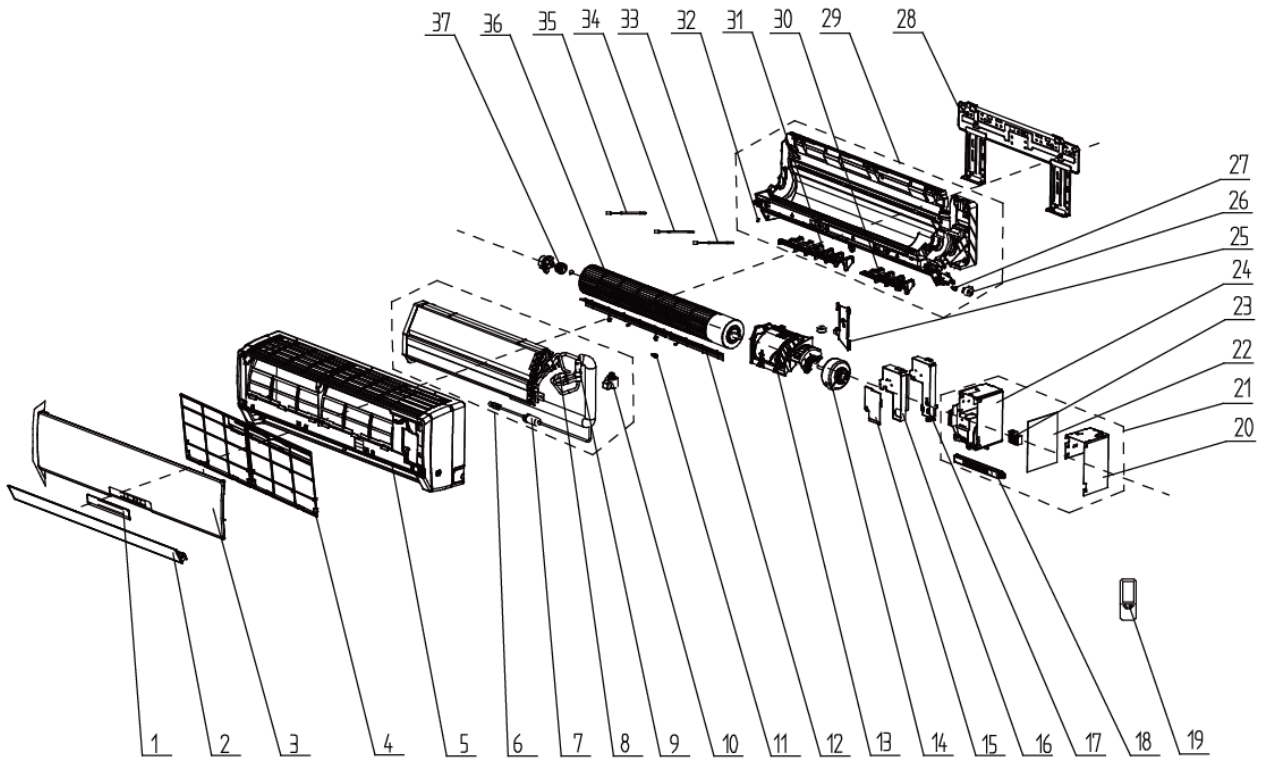
No.	Name of part	For the following unit	
		Unit	Product Code
		GMV-ND22C/A-T	CM400N0140
		GMV-ND28C/A-T	CM400N0070
		GMV-ND36C/A-T	CM400N0080
		GMV-ND45C/A-T	CM400N0150
		GMV-ND50C/A-T	CM400N0090
		Part code	Quantity
1	Front Panel Assy	20012756	1
2	Filter Sub-Assy	11122139	1
3	Front Case Assy	20012601	1
4	Air Louver(lower)	10512146	1
5	Air Louver(lower)	10512144	2
6	Water Tray	20182140	1
7	Axis(lower step motor)	10542034	1
8	Stepping Motor	1521210101	1
9	Water Tray Assy	20182141	1
10	Strainer	7213029	1
11	Evaporator Assy	1024100143	1

No.	Name of part	For the following unit	
		Unit	Product Code
		GMV-ND22C/A-T	CM400N0140
		GMV-ND28C/A-T	CM400N0070
		GMV-ND36C/A-T	CM400N0080
		GMV-ND45C/A-T	CM400N0150
		GMV-ND50C/A-T	CM400N0090
		Part code	Quantity
12	Electronic Expansion Valve	7334282	1
13	Electric Expand Valve Fitting	4304000102	1
14	Electric Box Assy	1394100489	1
15	Centrifugal Fan	1394100489	1
16	Brushless DC Motor	15704100012	1
17	Temperature Sensor	3900005910	1
18	Temperature Sensor	390000597	1
19	Temperature Sensor	3900019824	1
20	Let Side Plate	20052011	1
21	Rear Case	22202461	1
22	Top Side Plate	20052013	1
23	Right Side Plate	20052012	1
24	Diversion Circle	10371212	1
25	Louver Motor Sub-assy	21100001	1
26	Swing Lever	10582096	2
27	Guide Louver (upper)	10512145	1
28	Air Louver(upper)	10512143	2
29	Shaft of Guide Louver	10542020	2
30	Rear Grill	1472024	1
31	Crank	73012005	1
32	Stepping Motor	1521210101	1
33	Display Board	30568131	1
34	Pinboard	30278000001	1
35	Terminal Board	42010268	1
36	Electric Board	20112116	1
37	Main Board	30226000080	1
38	Magnetic Ring	49010104	1
39	Shield Cover of Electric Box Sub-assy	01592169	1
40	Remote Controller	30510589	1

Above data is subject to change without notice, pls reference the SP in global service website.

5.13 Wall Mounted type Indoor Unit

Exploded View of GMV-N22G/A3A-K, GMV-N28G/A3A-K:

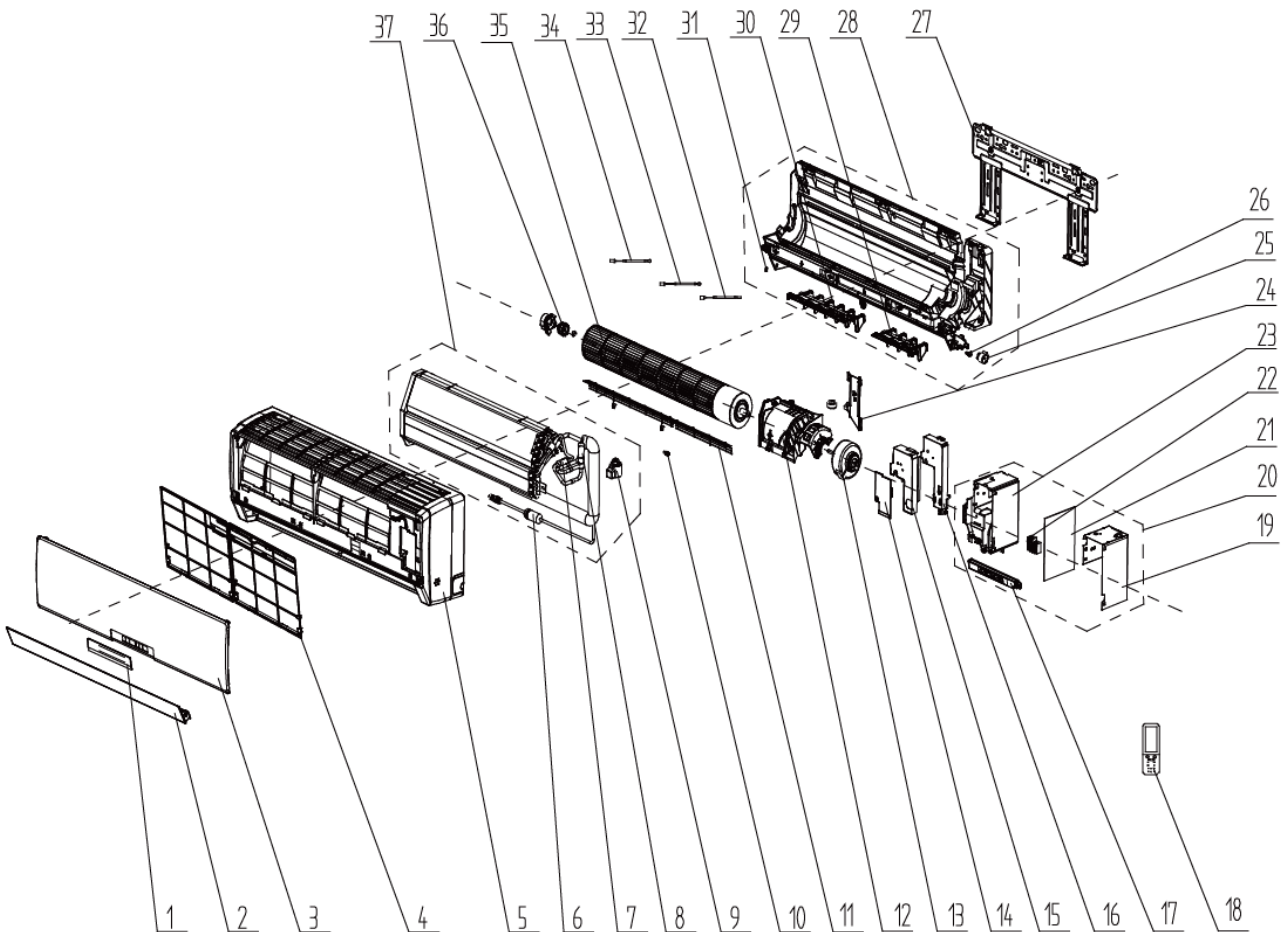


No.	Name of part	For the following unit	
		Unit	Product Code
		GMV-N22G/A3A-K	CM100N1350
		GMV-N28G/A3A-K	CM100N1340
		Part code	Quantity
1	Receiver Window	22432230	1
2	Guide Louver	10512157	1
3	Front Panel B1	20012122S	1
4	Filter Sub-Assy	1112220403	1
5	Front Case Sub-assy	2001213931	1
6	Evaporator Assy	1024100097	2
7	Strainer	07414100006	4
8	Strainer	07213050	4
9	Electronic Expansion Valve	07334463	4
10	Electric Expand Valve Fitting	4304413217	2
11	Axile Bush	10542036	1
12	Rear Grill	01472013	1
13	Motor Press Plate	26904100117	1
14	Fan Motor	1501208905	1
15	Electric Box Cover2	2012207504	1
16	Shield Cover of Electric Box Sub-assy	01592073	1
17	Electric Box Cover1	2224213502	1
18	Display Board	30565007	2
19	Remote Controller	30510589	1
20	Lower Shield Sub-assy of Electric Box	01592072	2
21	Electric Box Assy	01394100451	1
22	Main Board	30226000061	2

No.	Name of part	For the following unit	
		Unit	Product Code
		GMV-N22G/A3A-K	CM100N1350
		GMV-N28G/A3A-K	CM100N1340
		Part code	Quantity
23	Terminal Board	42010268	2
24	Electric Box	2011216702	2
25	Connecting pipe clamp	26112164	1
26	Stepping Motor	1521212901	2
27	Crank	10582070	2
28	Wall Mounting Frame	01252021	1
29	Rear Case Sub-Assy	2220294712	2
30	Air Louver 1	10512164	2
31	Air Louver 2	10512165	2
32	Left Axile Bush	10512037	2
33	Temperature Sensor	390000454	1
34	Temperature Sensor	39000076G	1
35	Temperature Sensor	390002072G	1
36	Cross Flow Fan	10454101	1
37	O-Gasket of Cross Fan Bearing	76512203	3

Above data is subject to change without notice, pls reference the SP in global service website.

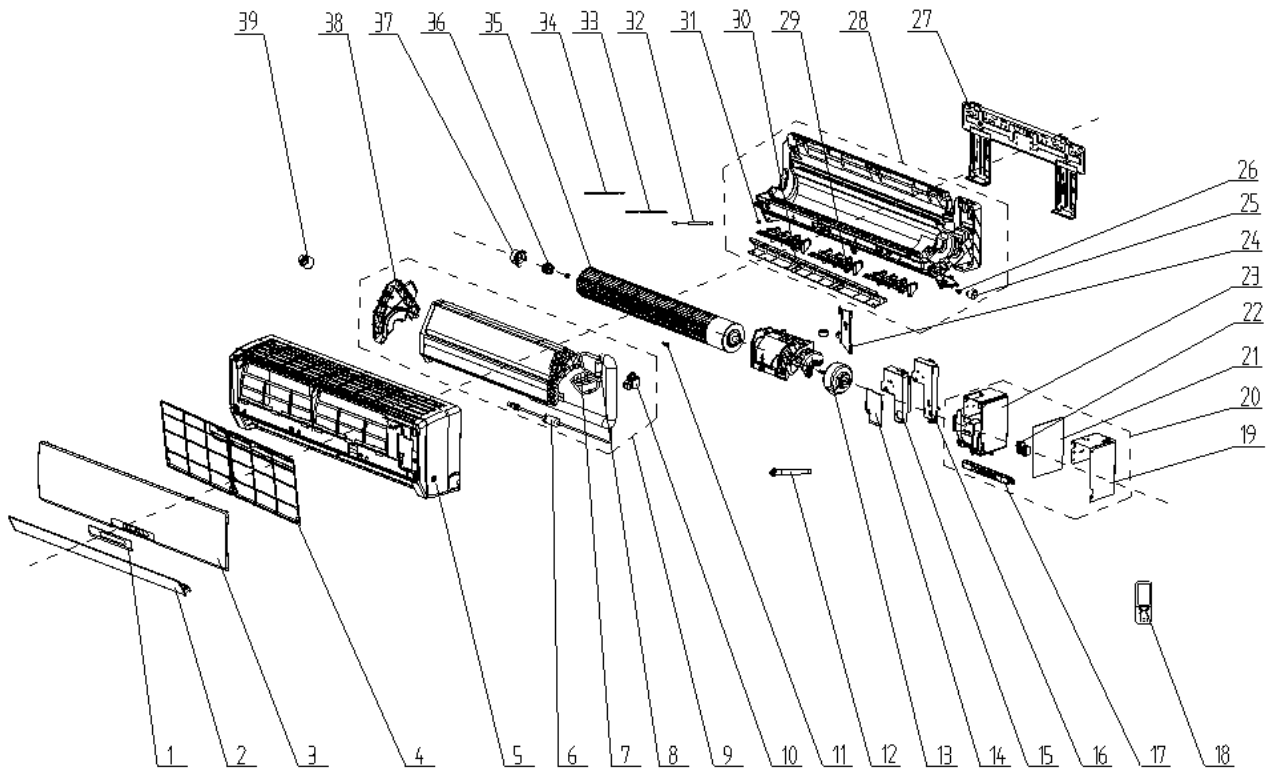
GMV-N36G/A3A-K, GMV-N45G/A3A-K, GMV-N50G/A3A-K:



No.	Name of part	For the following unit	
		Unit	Product Code
		GMV-N36G/A3A-K	CM100N1360
		GMV-N45G/A3A-K	CM100N1370
		GMV-N50G/A3A-K	CM100N1330
		Part code	Quantity
1	Receiver Window	22432173	1
2	Guide Louver	10512115	1
3	Front Panel Assy	20012260	1
4	Filter Sub-Assy	1112000000	2
5	Front Case Sub-assy	20022172	1
6	Strainer	07414100006	1
7	Strainer	7213050	1
8	Electronic Expansion Valve	7334466	1
9	Electric Expand Valve Fitting	4304000000	1
10	Axile Bush	10542036	1
11	Mesh Enclosure(Air Outlet)	1472015	1
12	Motor Press Plate	26904264	1
13	Fan Motor	1501000000	1
14	Electric Box Cover	2011000000	1
15	Shield Cover of Electric Box	1592092	1
16	Electric Box Cover1	2012000000	1
17	Display Board	30565038	1
18	Remote Controller	30510589	1
19	Lower Shield of Electric Box	1592091	1
20	Electric Box Assy	1394000000	1
21	Main Board	30230000000	1
22	Terminal Board	42010268	1
23	Electric Box	2011000000	1
24	Connecting pipe clamp	26112164	1
25	SteppingMotor	15012086	1
26	Crank	10582070	1
27	Wall Mounting Frame	1252218	1
28	Rear Case Sub-Assy	2220000000	1
29	Air Louver 1	10512708	1
30	Air Louver 2	10512709	1
31	Left Axile Bush	10512037	1
32	Temperature Sensor	39000076G	1
33	Temperature Sensor	390000454	1
34	Temperature Sensor	390002072G	1
35	Cross Flow Fan	10454102	1
36	O-Gasket of Cross Fan Bearing	76512203	1
37	Evaporator Assy	01024100101	1

Above data is subject to change without notice, pls reference the SP in global service website.

GMV-N56G/A3A-K, GMV-N63G/A3A-K, GMV-N71G/A3A-K:

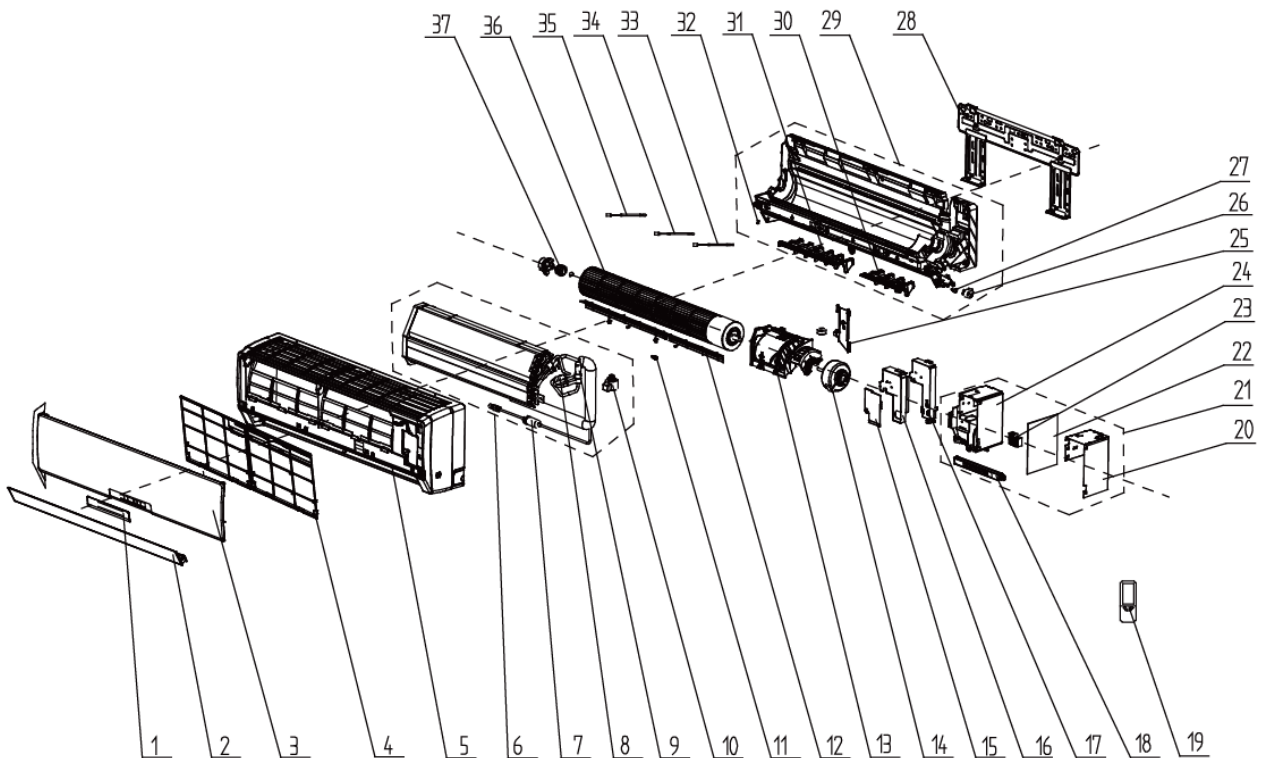


No.	Name of part	For the following unit	
		Unit	Product Code
		GMV-N56G/A3A-K	CM100N1380
		GMV-N63G/A3A-K	CM100N1390
		GMV-N71G/A3A-K	CM100N1340
		Part code	Quantity
1	Receiver Window	22432173	1
2	Guide Louver	10512118	1
3	Front Panel Assy	20012328	1
4	Filter Sub-Assy	11122091	2
5	Front Case Assy	20012329	1
6	Strainer A	0721002201	1
7	Filter Sub-Assy	11120011	1
8	Electronic Expansion Valve	07334466	1
9	Evaporator Assy	011001060267	1
10	Electric Expand Valve Fitting	4304413217	1
11	Axile Bush	10542036	2
12	Drainage Hose	0523001405	1
13	Fan Motor	15012098	1
14	Electric Box Cover2	2011208104	1
15	Shield Cover of Electric Box	01592092	1
16	Electric Box Cover1	20122154	1
17	Display Board	30565038	1
18	Remote Controller	30510589	1
19	Lower Shield of Electric Box	01592091	1
20	Electric Box Assy	01394100336	1
21	Main Board	30226000063	1

No.	Name of part	For the following unit	
		Unit	Product Code
		GMV-N56G/A3A-K	CM100N1380
		GMV-N63G/A3A-K	CM100N1390
		GMV-N71G/A3A-K	CM100N1340
	Part code	Quantity	
22	Terminal Board	4201026805	1
23	Electric Box	01394100336	1
24	Connecting pipe clamp	26112188	1
25	Stepping Motor	1521300101	1
26	Crank	10582070	1
27	Wall Mounting Frame	01252032	1
28	Rear Case Assy	01514100012	1
29	Air Louver 1	10512159	3
30	Helicoid Tongue	26112187	1
31	Left Axile Bush	10512037	1
32	Temperature Sensor	39000076G	1
33	Temperature Sensor	390000456	1
34	Temperature Sensor	390002072	1
35	Cross Flow Fan	10454103	1
36	O-Gasket of Cross Fan Bearing	76512203	1
37	Ring of Bearing	26152025	1
38	Evaporator Support	24212103	1
39	Rubber Plug	76712012	1

Above data is subject to change without notice, pls reference the SP in global service website.

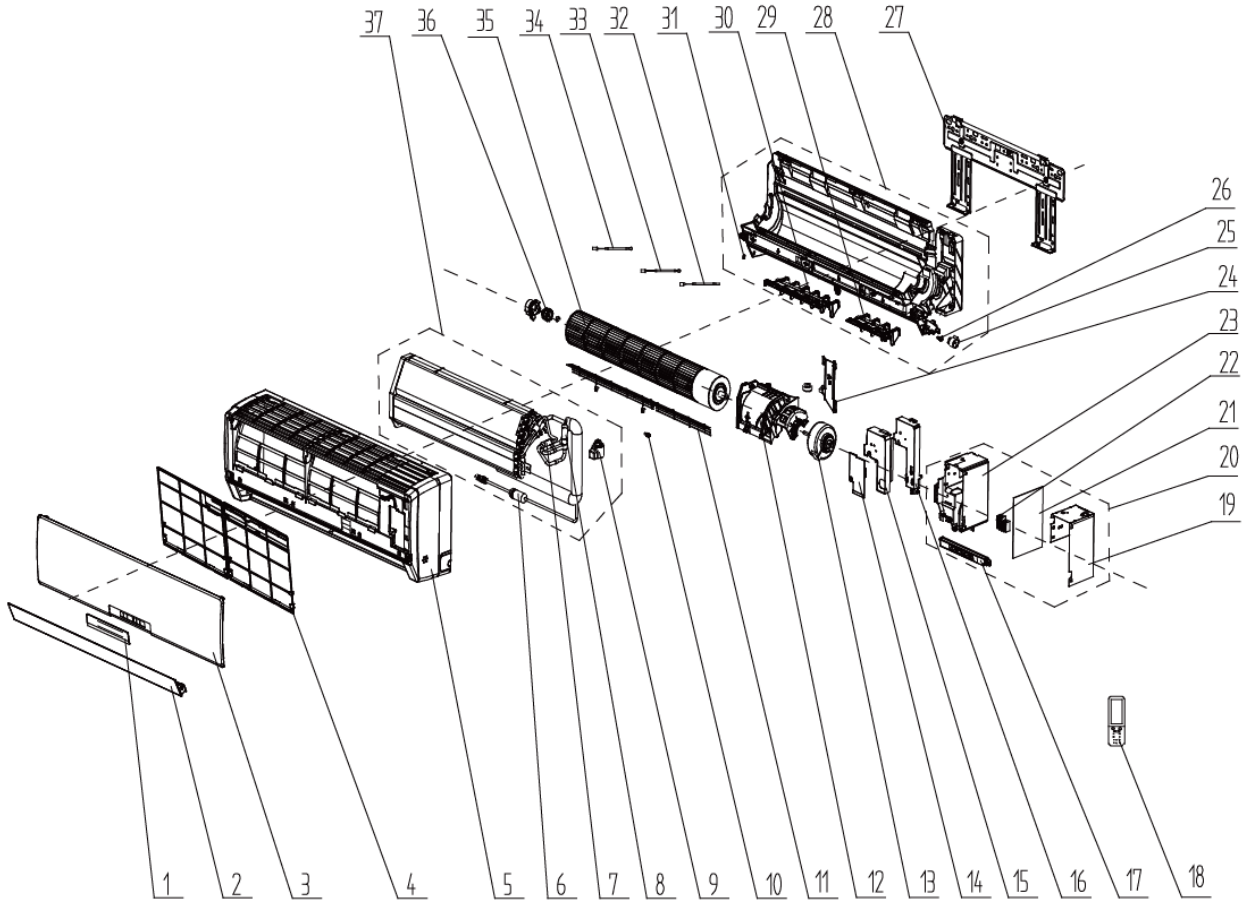
Exploded View of GMV-ND22G/A3A-T、GMV-ND28G/A3A-T:



No.	Name of part	For the following unit	
		Unit	Product Code
		GMV-ND22G/A3A-T	CM100N2560
		GMV-ND28G/A3A-T	CM100N2600
		Part code	Quantity
1	Receiver Window	22432230	1
2	Guide Louver	10512157	1
3	Front Panel A3	20012123C	1
4	Filter Sub-Assy	1112220403	1
5	Front Case Sub-assy	2001213931	1
6	Evaporator Assy	01024100097	2
7	Strainer	07414100006	4
8	Strainer	07213050	4
9	Electronic Expansion Valve	07334463	4
10	Electric Expand Valve Fitting	4304413217	2
11	Axile Bush	10542036	1
12	Rear Grill	01472013	1
13	Motor Press Plate	26904100117	1
14	Fan Motor	1501306804	1
15	Electric Box Cover2	2012207504	1
16	Shield Cover of Electric Box Sub-assy	01592073	1
17	Electric Box Cover1	2224213502	1
18	Display Board	30565007	2
19	Remote Controller	30510589	1
20	Lower Shield Sub-assy of Electric Box	01592072	2
21	Electric Box Assy	01394100451	1
22	Main Board	300002000702	2
23	Terminal Board	42010268	2
24	Electric Box	2011216702	2
25	Connecting pipe clamp	26112164	1
26	Stepping Motor	1521212901	2
27	Crank	10582070	2
28	Wall Mounting Frame	01252021	1
29	Rear Case Sub-Assy	2220294712	2
30	Air Louver 1	10512164	2
31	Air Louver 2	10512165	2
32	Left Axile Bush	10512037	2
33	Temperature Sensor	390000454	1
34	Temperature Sensor	39000076G	1
35	Temperature Sensor	390002072G	1
36	Cross Flow Fan	10454101	1
37	O-Gasket of Cross Fan Bearing	76512203	3

Above data is subject to change without notice, pls reference the SP in global service website.

Exploded View of GMV-ND36G/A3A-T、GMV-ND45G/A3A-T、GMV-ND50G/A3A-T:

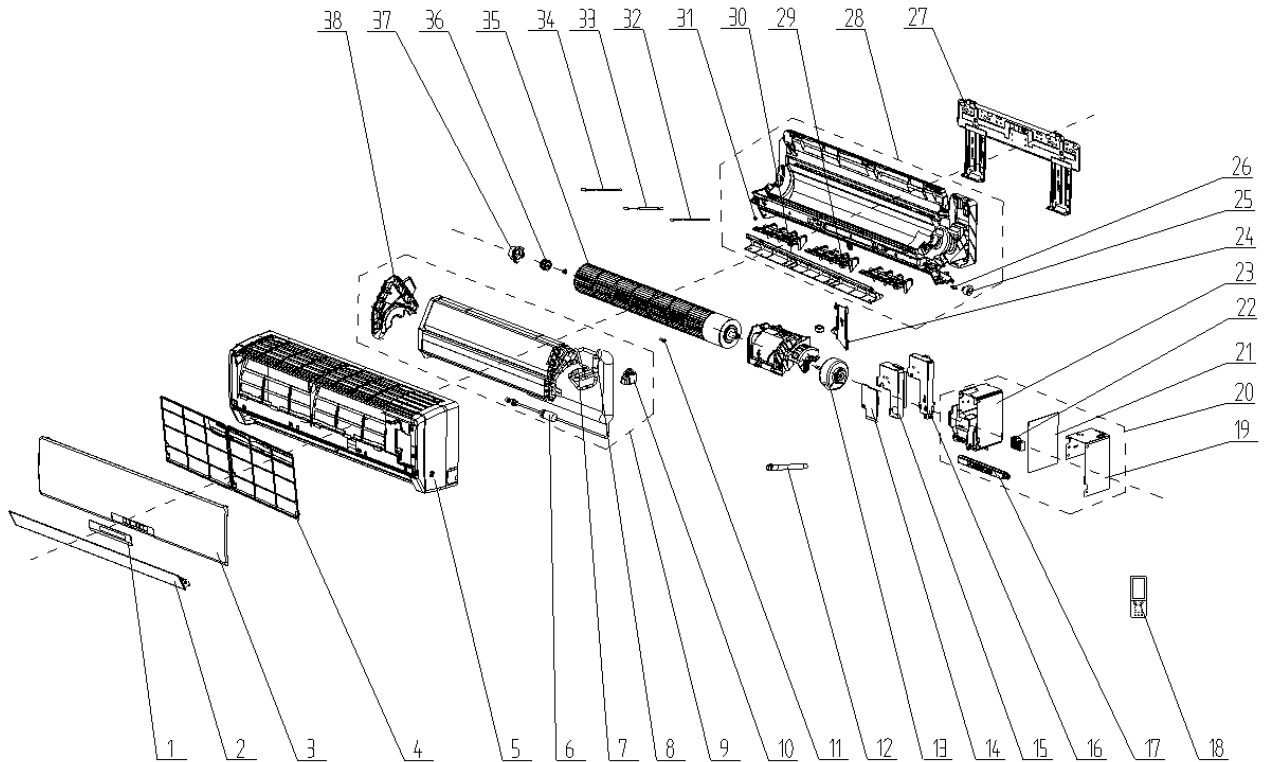


No.	Name of part	For the following unit	
		Unit	Product Code
		GMV-ND36G/A3A-T	CM100N2590
		GMV-ND45G/A3A-T	CM100N2580
		GMV-ND50G/A3A-T	CM100N2610
		Part code	Quantity
1	Receiver Window	22432173	1
2	Guide Louver	10512115	1
3	Front Panel Assy	20022146	1
4	Filter Sub-Assy	1112000000	2
5	Front Case Sub-assy	20022172	1
6	Strainer	07414100006	1
7	Strainer	7213050	1
8	Electronic Expansion Valve	7334466	1
9	Electric Expand Valve Fitting	4304000000	1
10	Axile Bush	10542036	1
11	Mesh Enclosure(Air Outlet)	1472015	1
12	Motor Press Plate	26904264	1
13	Fan Motor	1501246601	1
14	Electric Box Cover	2011000000	1
15	Shield Cover of Electric Box	1592092	1
16	Electric Box Cover1	2012000000	1
17	Display Board	30565038	1
18	Remote Controller	30510589	1

No.	Name of part	For the following unit	
		Unit	Product Code
		GMV-ND36G/A3A-T	CM100N2590
		GMV-ND45G/A3A-T	CM100N2580
		GMV-ND50G/A3A-T	CM100N2610
	Part code	Quantity	
19	Lower Shield of Electric Box	1592091	1
20	Electric Box Assy	1394000000	1
21	Main Board	300002000703	1
22	Terminal Board	42010268	1
23	Electric Box	2011000000	1
24	Connecting pipe clamp	26112164	1
25	Stepping Motor	15012086	1
26	Crank	10582070	1
27	Wall Mounting Frame	1252218	1
28	Rear Case Sub-Assy	2220000000	1
29	Air Louver 1	10512708	1
30	Air Louver 2	10512709	1
31	Left Axile Bush	10512037	1
32	Temperature Sensor	39000076G	1
33	Temperature Sensor	390000454	1
34	Temperature Sensor	390002072G	1
35	Cross Flow Fan	10454102	1
36	O-Gasket of Cross Fan Bearing	76512203	1
37	Evaporator Assy	01024100101	1

Above data is subject to change without notice, pls reference the SP in global service website.

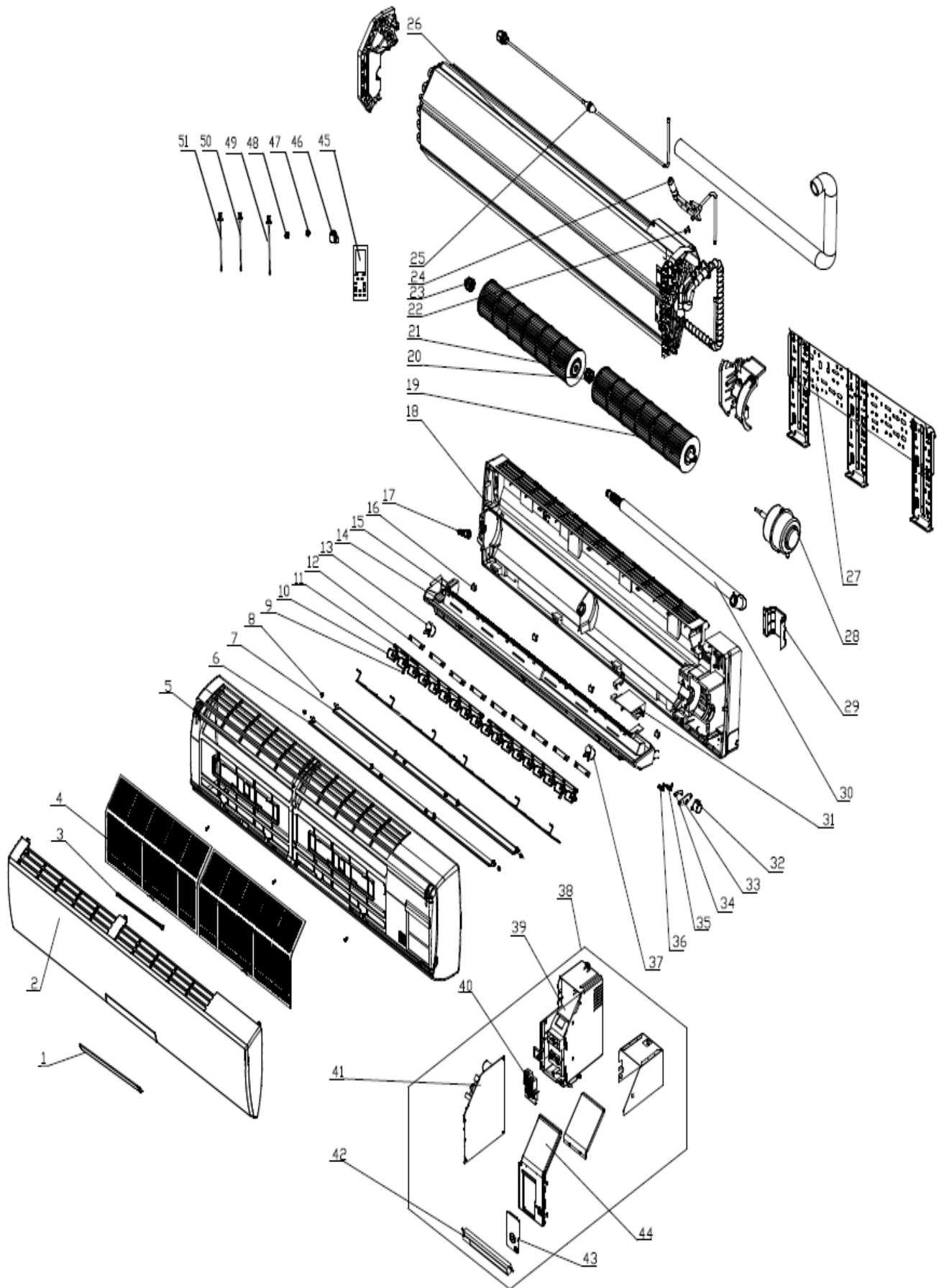
Exploded View of GMV-ND56G/A3A-T、GMV-ND63G/A3A-T、GMV-ND71G/A3A-T:



No.	Name of part	For the following unit	
		Unit	Product Code
		GMV-ND56G/A3A-T	CM100N2570
		GMV-ND63G/A3A-T	CM100N2550
		GMV-ND71G/A3A-T	CM100N2540
		Part code	Quantity
1	Receiver Window	22432173	1
2	Guide Louver	10512118	1
3	Front Panel Assy	20012328	1
4	Filter Sub-Assy	11122091	2
5	Front Case Assy	20012329	1
6	Strainer	07414100006	1
7	Strainer	11120011	1
8	Electronic Expansion Valve	07334466	1
9	Evaporator Assy	01024100100	1
10	Electric Expand Valve Fitting	4304413217	1
11	Axile Bush	10542036	2
12	Drainage Hose	0523001405	1
13	Fan Motor	1501212701	1
14	Electric Box Cover	2011208104	1
15	Shield Cover of Electric Box	01592092	1
16	Electric Box Cover1	20122154	1
17	Display Board	30565038	1
18	Remote Controller	30510589	1
19	Lower Shield of Electric Box	01592091	1
20	Electric Box Assy	100002003094	1
21	Main Board	300002000703	1
22	Terminal Board	4201026805	1
23	Electric Box	2011210801	1
24	Connecting pipe clamp	26112188	1
25	SteppingMotor	1521300101	1
26	Crank	10582070	1
27	Wall Mounting Frame	01252032	1
28	Rear Case Sub-Assy	2220294203	1
29	Air Louver 1	10512159	3
30	Helicoid Tongue	26112187	1
31	Left Axile Bush	10512037	1
32	Temperature Sensor	39000076G	1
33	Temperature Sensor	390000456	1
34	Temperature Sensor	390002072	1
35	Cross Flow Fan	10454103	1
36	O-Gasket of Cross Fan Bearing	76512203	1
37	Ring of Bearing	26152025	1
38	Evaporator Support	24212103	1

Above data is subject to change without notice, pls reference the SP in global service website.

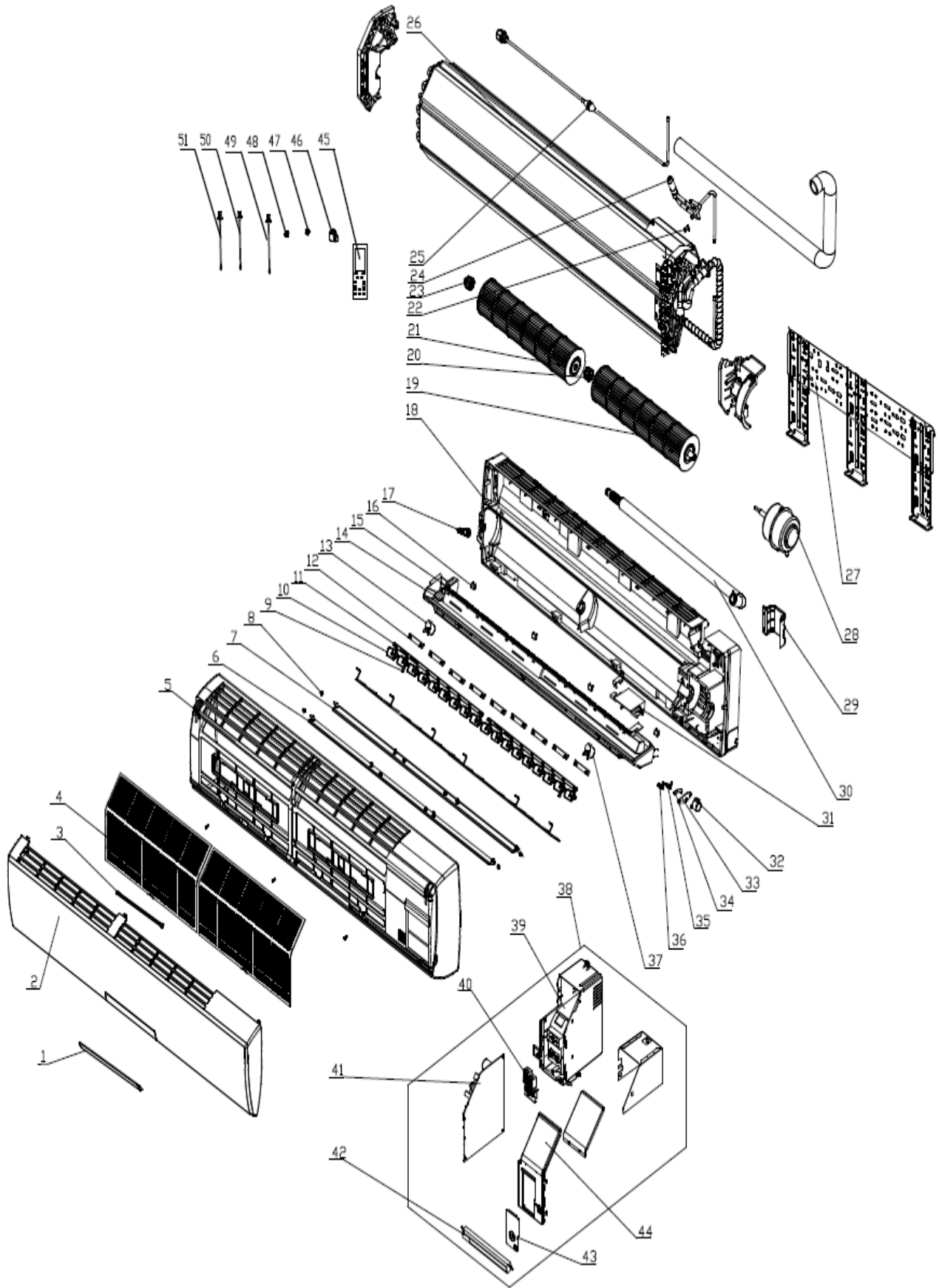
Exploded View of GMV-ND80G/A3A-T、GMV-ND90G/A3A-T、GMV-ND100G/A3A-T、GMV-ND80G/B4B-T、GMV-ND90G/B4B-T、GMV-ND100G/B4B-T:



No.	Name of part	For the following unit	
		Unit	Product Code
		GMV-ND80G/A3A-T	CM100N2620
		GMV-ND90G/A3A-T	CM100N2630
		GMV-ND100G/A3A-T	CM100N2640
		Part code	Quantity
1	Receiver Window	22432164	1
2	Front Panel	20012490S	1
3	Stand Bar	24212120	1
4	Filter Sub-Assy	11122106	2
5	Front Case Sub-assy	209007000027	1
6	Upper Guide Louver	10512166	1
7	Lower Guide Louver	10512167	1
8	Axile Bush	10542704	6
9	Air Louver 2	10512169	2
10	Air Louver 1	10512168	16
11	Connecting Rod	10582086	2
12	Louver Clamp	26112127	9
13	Stepping Motor	1521210701	1
14	Water Tray	20182138	1
15	Air Guider System in Water Tray Assy	10102040	1
16	Screw Cover	242520053	4
17	Rubber Plug (Water Tray)	76712012	1
18	Rear Case Sub-Assy	22202703	1
19	Cross Flow Fan 1	10352039	1
20	Bearing Holder Sub-assy	26152028	1
21	Cross Flow Fan 2	10352040	1
22	Filter Sub-Assy	11120012	1
23	O-Gasket sub-assy of Bearing	76512051	1
24	Strainer A	0721002201	1
25	Electronic Expansion Valve	07334468	1
26	Evaporator Assy	011001000608	1
27	Wall Mounting Frame	01252398	1
28	Fan Motor	1501213401	1
29	Pipe Clamp	26112071	1
30	Drainage Hose	0523001404	1
31	Cover Plate	20122124	1
32	Stepping Motor	1501207902	1
33	Press Plate(Crank)	26112070	1
34	Crank-guide	10582041	1
35	Upper Crank	10562004	1
36	Lower crank	10562005	1
37	Stepping Motor	15012122	1
38	Electric Box Assy	100002003763	1
39	Electric Box	201022502	1
40	Terminal Board	42010268	1
41	Main Board	300002000701	1
42	Display Board	30565087	1
43	Electric Box Cover	201022523	1

No.	Name of part	For the following unit	
		Unit	Product Code
		GMV-ND80G/A3A-T	CM100N2620
		GMV-ND90G/A3A-T	CM100N2630
		GMV-ND100G/A3A-T	CM100N2640
		Part code	Quantity
44	Electric Box Cover	2011204404S	1
45	Remote Controller	30510589	1
46	Electric Expand Valve Fitting	4304413217	1
47	Fan Bearing	7651221001	1
48	Fan Bearing	76512210	1
49	Temperature Sensor	390002072	1
50	Temperature Sensor	39000076G	1
51	Temperature Sensor	390000454	1

Above data is subject to change without notice, pls refer the SP in global service website.

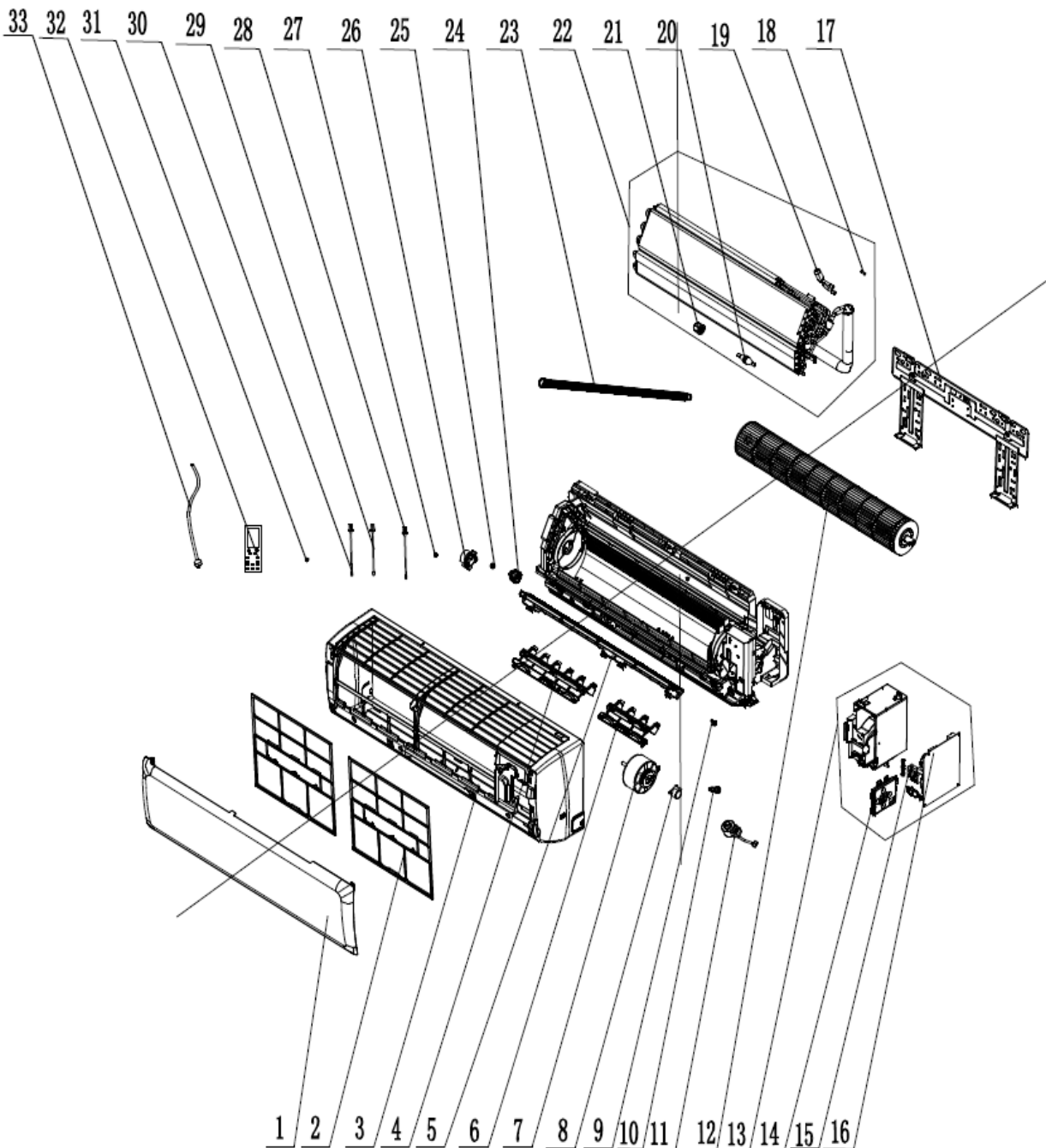


No.	Name of part	For the following unit	
		Unit	Product Code
		GMV-ND80G/B4B-T	CM100N2930
		GMV-ND90G/B4B -T	CM100N2940
		GMV-ND100G/B4B -T	CM100N2840
		Part code	Quantity
1	Receiver Window	22432164	0
2	Front Panel	20022158C	1
3	Stand Bar	2421212001	1
4	Filter Sub-Assy	1112210601	2
5	Front Case Sub-assy	209007060019	1
6	Upper Guide Louver	10512166	1
7	Lower Guide Louver	10512167	1
8	Axile Bush	10542704	6
9	Air Louver 2	10512169	2
10	Air Louver 1	10512168	16
11	Connecting Rod	10582086	2
12	Louver Clamp	26112127	9
13	Stepping Motor	1521210701	1
14	Water Tray	20182138	1
15	Air Guider System in Water Tray Assy	10102040	1
16	Screw Cover	242520053	4
17	Rubber Plug (Water Tray)	76712012	1
18	Rear Case Sub-Assy	22202703	1
19	Cross Flow Fan 1	10352039	1
20	Bearing Holder Sub-assy	26152028	1
21	Cross Flow Fan 2	10352040	1
22	Filter Sub-Assy	11120012	1
23	O-Gasket sub-assy of Bearing	76512051	1
24	Strainer A	0721002201	1
25	Electronic Expansion Valve	07334468	1
26	Evaporator Assy	011001000608	1
27	Wall Mounting Frame	01252398	1
28	Fan Motor	1501213401	1
29	Pipe Clamp	26112071	1
30	Drainage Hose	0523001404	1
31	Cover Plate	2012212402	1
32	Stepping Motor	1501207902	1
33	Press Plate(Crank)	26112070	1
34	Crank-guide	10582041	1
35	Upper Crank	10562004	1
36	Lower crank	10562005	1
37	Stepping Motor	15012122	1
38	Electric Box Assy	100002063782	1
39	Electric Box	201022502	1
45	Remote Controller	30510589	1
46	Electric Expand Valve Fitting	4304413217	1
47	Fan Bearing	7651221001	1
48	Fan Bearing	76512210	1

No.	Name of part	For the following unit	
		Unit	Product Code
		GMV-ND80G/B4B-T	CM100N2930
		GMV-ND90G/B4B -T	CM100N2940
		GMV-ND100G/B4B -T	CM100N2840
Part code	Quantity		
49	Temperature Sensor	390002072	1
50	Temperature Sensor	39000076G	1
51	Temperature Sensor	390000454	1

Above data is subject to change without notice, pls reference the SP in global service website.

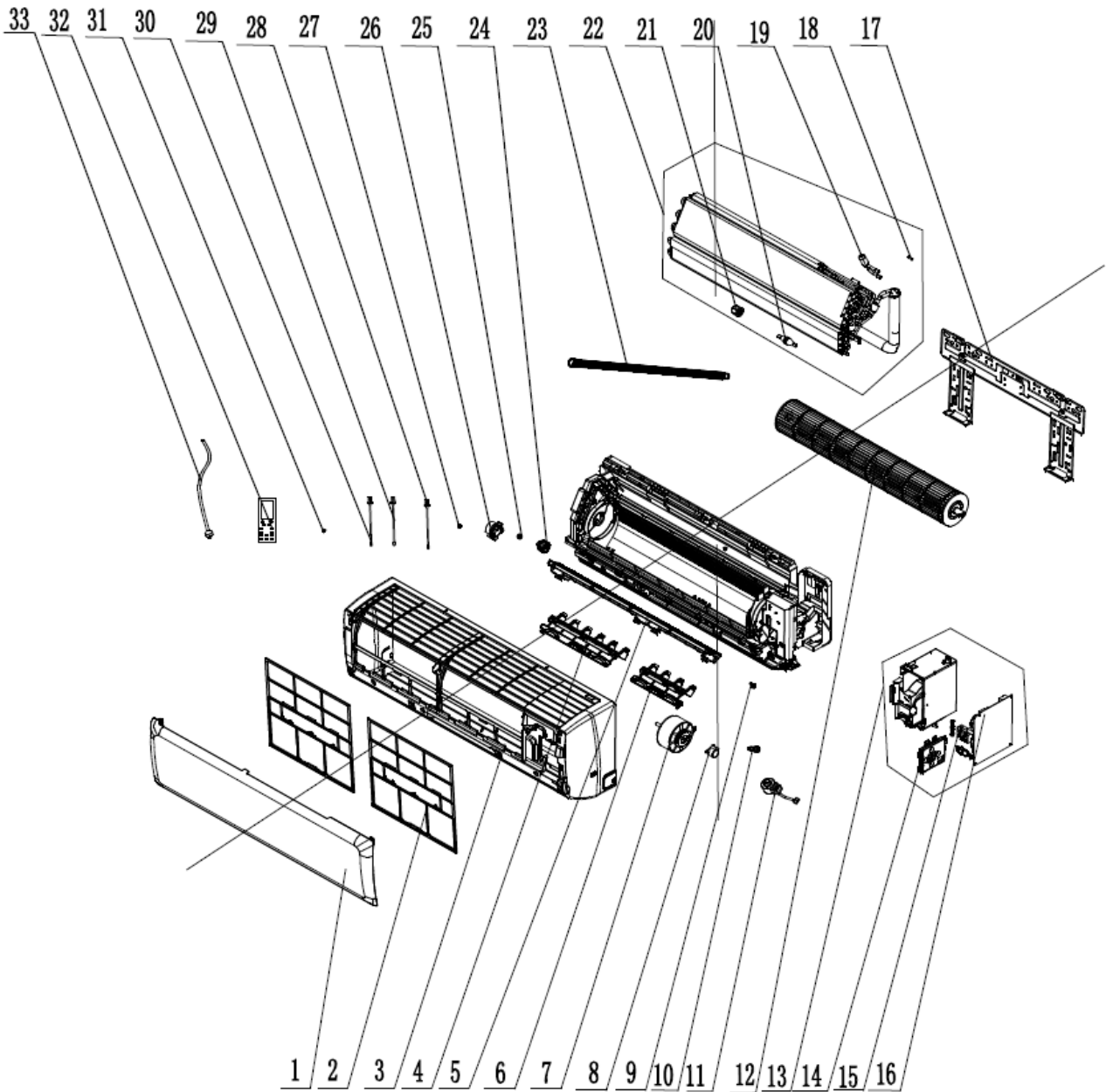
Exploded View of GMV-ND15G/B6B-T, GMV-ND18G/B6B-T, GMV-ND22G/B6B-T, GMV-ND28G/B6B-T, GMV-ND36G/B6B-T:



No.	Name of part	For the following unit	
		Unit	Product Code
		GMV-ND15G/B6B-T	CM100N3300
		GMV-ND18G/B6B-T	CM100N3310
		GMV-ND22G/B6B-T	CM100N3240
		GMV-ND28G/B6B-T	CM100N3270
		GMV-ND36G/B6B-T	CM100N3210
		Part code	Quantity
1	Front Panel	20000300049T	1
2	Filter Sub-Assy	11122468	2
3	Front CaseAssy	00000200045	1
4	Air Louver1	10512723	1
5	Helicoid Tongue	26112436	1
6	Air Louver2	10512724	1
7	Fan Motor	1501246601	1
8	Stepping Motor	1521210710	1
9	Crank	73012005	1
10	Rubber Plug(WaterTray)	76712012	1
11	Electric Expand ValveFitting	4304413216	1
12	Cross Flow Fan	10352056	1
13	Electric Box Assy	100002061039	1
14	Display Board	30565281	1
15	Terminal Board	4201026805	1
16	Main Board	300002061506	1
17	Wall Mounting Frame	01252484	1
18	Filter Sub-Assy	11120011	1
19	Electronic Expansion Valve	07334463	1
20	Strainer A	0721002201	1
21	Sealing Cap(PressureWarning)	2611219201	1
22	Evaporator Assy	011001060163	1
23	Drainage Hose	05230014	1
24	O-Gasket of Cross FanBearing	76512203	1
25	Fan Bearing	7651221001	1
26	Ring of Bearing	26152022	1
27	Left Axile Bush	10512037	1
28	Temperature Sensor	390000454	1
29	Temperature Sensor	39000076G	1
30	Temperature Sensor	390002072	1
31	Axile Bush	10542036	1
32	Remote Controller	30510589	1
33	Power Cord	4002046417	1

Above data is subject to change without notice, pls reference the SP in global service website.

Exploded View of GMV-ND15G/B4B-T、GMV-ND18G/B4B-T、GMV-ND22G/B4B-T、GMV-ND28G/B4B-T、GMV-ND36G/B4B-T:

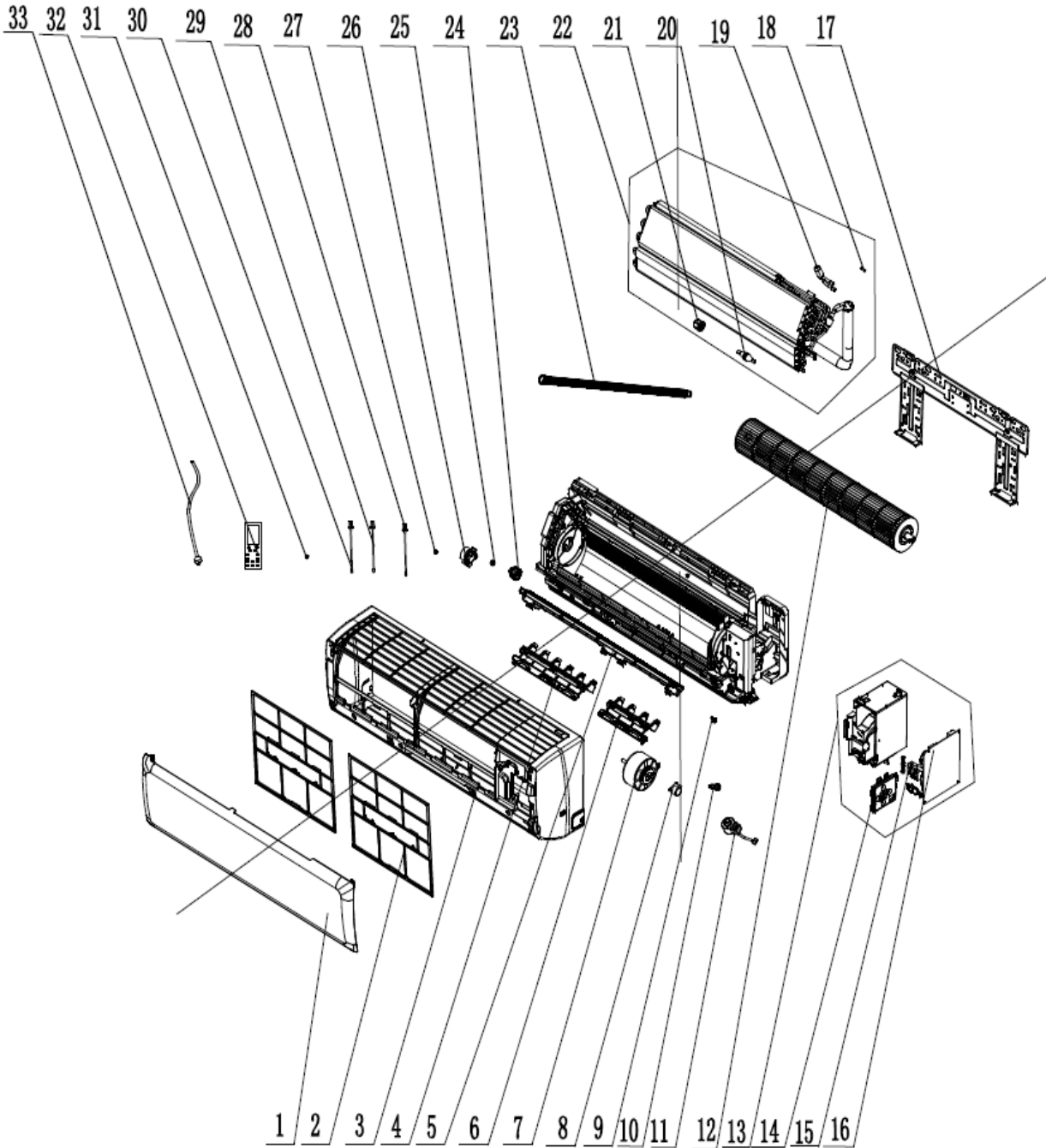


No.	Name of part	For the following unit	
		Unit	Product Code
		GMV-ND15G/B4B-T	CM100N3280
		GMV-ND18G/B4B-T	CM100N3290
		GMV-ND22G/B4B-T	CM100N2770
		GMV-ND28G/B4B-T	CM100N2780
		GMV-ND36G/B4B-T	CM100N2760
		Part code	Quantity
1	Front Panel	20000300027T	1
2	Filter Sub-Assy	11122468	2
3	Front CaseAssy	00000200045	1
4	Air Louver1	10512723	1
5	Helicoid Tongue	26112436	1
6	Air Louver2	10512724	1

No.	Name of part	For the following unit	
		Unit	Product Code
		GMV-ND15G/B4B-T	CM100N3280
		GMV-ND18G/B4B-T	CM100N3290
		GMV-ND22G/B4B-T	CM100N2770
		GMV-ND28G/B4B-T	CM100N2780
		GMV-ND36G/B4B-T	CM100N2760
		Part code	Quantity
7	Fan Motor	1501246601	1
8	Stepping Motor	1521210710	1
9	Crank	73012005	1
10	Rubber Plug(WaterTray)	76712012	1
11	Electric Expand ValveFitting	4304413216	1
12	Cross Flow Fan	10352056	1
13	Electric Box Assy	100002061039	1
14	Display Board	30565260	1
15	Terminal Board	4201026805	1
16	Main Board	300002060244	1
17	Wall Mounting Frame	01252484	1
18	Filter Sub-Assy	11120011	1
19	Electronic Expansion Valve	07334463	1
20	Strainer A	0721002201	1
21	Sealing Cap(PressureWarning)	2611219201	1
22	Evaporator Assy	011001060163	1
23	Drainage Hose	05230014	1
24	O-Gasket of Cross FanBearing	76512203	1
25	Fan Bearing	7651221001	1
26	Ring of Bearing	26152022	1
27	Left Axile Bush	10512037	1
28	Temperature Sensor	390000454	1
29	Temperature Sensor	39000076G	1
30	Temperature Sensor	390002072	1
31	Axile Bush	10542036	1
32	Remote Controller	30510589	1
33	Power Cord	4002046417	1

Above data is subject to change without notice, pls reference the SP in global service website.

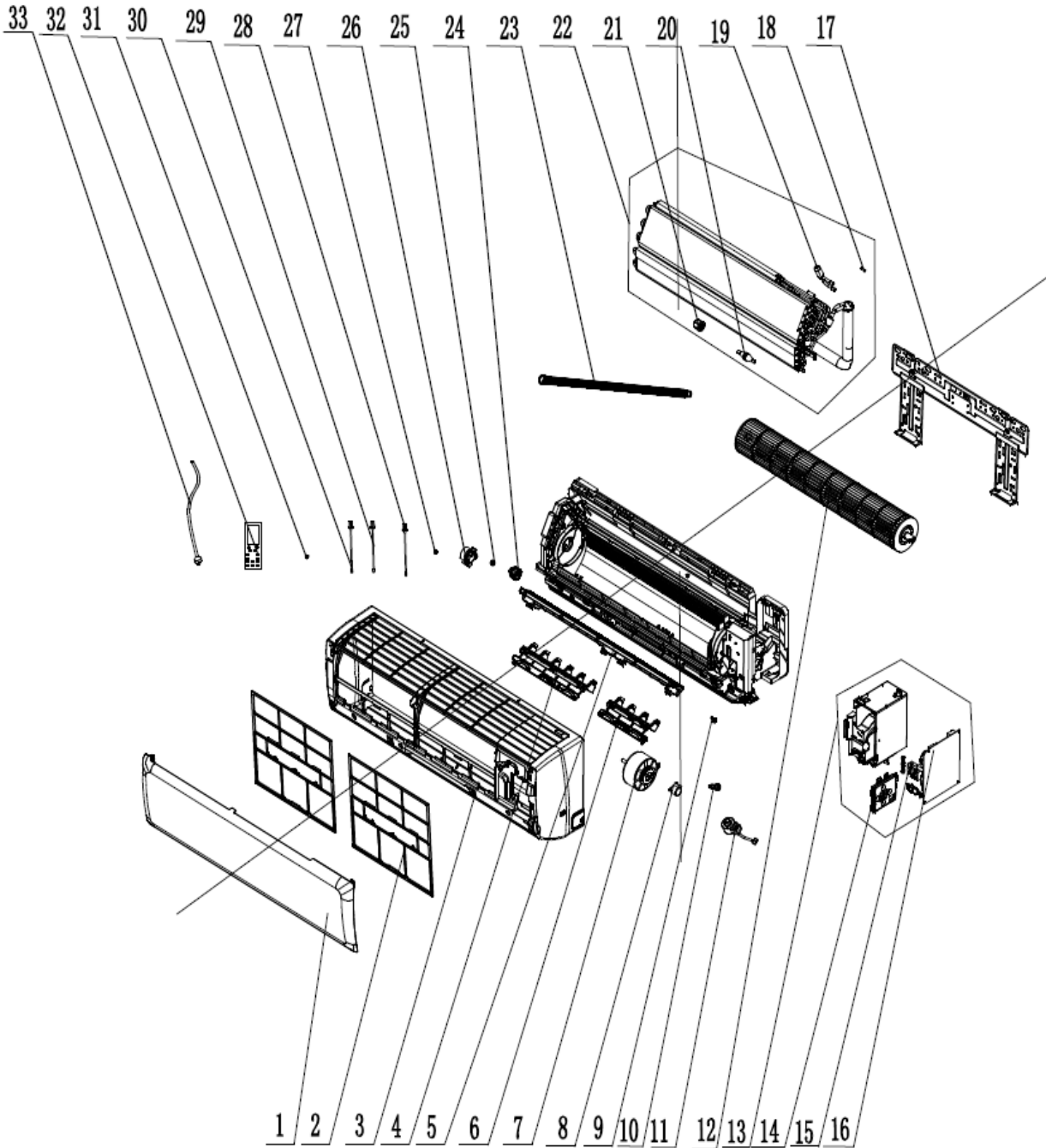
Exploded View of GMV-ND22G/C4B-T、GMV-ND28G/C4B-T、GMV-ND36G/C4B-T:



No.	Name of part	For the following unit	
		Unit	Product Code
		GMV-ND22G/C4B-T	CM100N3140
		GMV-ND28G/C4B-T	CM100N3130
		GMV-ND36G/C4B-T	CM100N3150
	Part code	Quantity	
1	Front Panel	20000300098S	1
2	Filter Sub-Assy	11122468	2
3	Front CaseAssy	00000200045	1
4	Air Louver1	10512723	1
5	Helicoid Tongue	26112436	1
6	Air Louver2	10512724	1
7	Fan Motor	1501246601	1
8	Stepping Motor	1521210710	1
9	Crank	73012005	1
10	Rubber Plug(WaterTray)	76712012	1
11	Electric Expand ValveFitting	4304413216	1
12	Cross Flow Fan	10352056	1
13	Electric Box Assy	100002061039	1
14	Display Board	30565260	1
15	Terminal Board	4201026805	1
16	Main Board	300002060244	1
17	Wall Mounting Frame	01252484	1
18	Filter Sub-Assy	11120011	1
19	Electronic Expansion Valve	07334463	1
20	Strainer A	0721002201	1
21	Sealing Cap(PressureWarning)	2611219201	1
22	Evaporator Assy	011001060163	1
23	Drainage Hose	05230014	1
24	O-Gasket of Cross FanBearing	76512203	1
25	Fan Bearing	7651221001	1
26	Ring of Bearing	26152022	1
27	Left Axile Bush	10512037	1
28	Temperature Sensor	390000454	1
29	Temperature Sensor	39000076G	1
30	Temperature Sensor	390002072	1
31	Axile Bush	10542036	1
32	Remote Controller	30510589	1
33	Power Cord	4002046417	1

Above data is subject to change without notice, pls reference the SP in global service website.

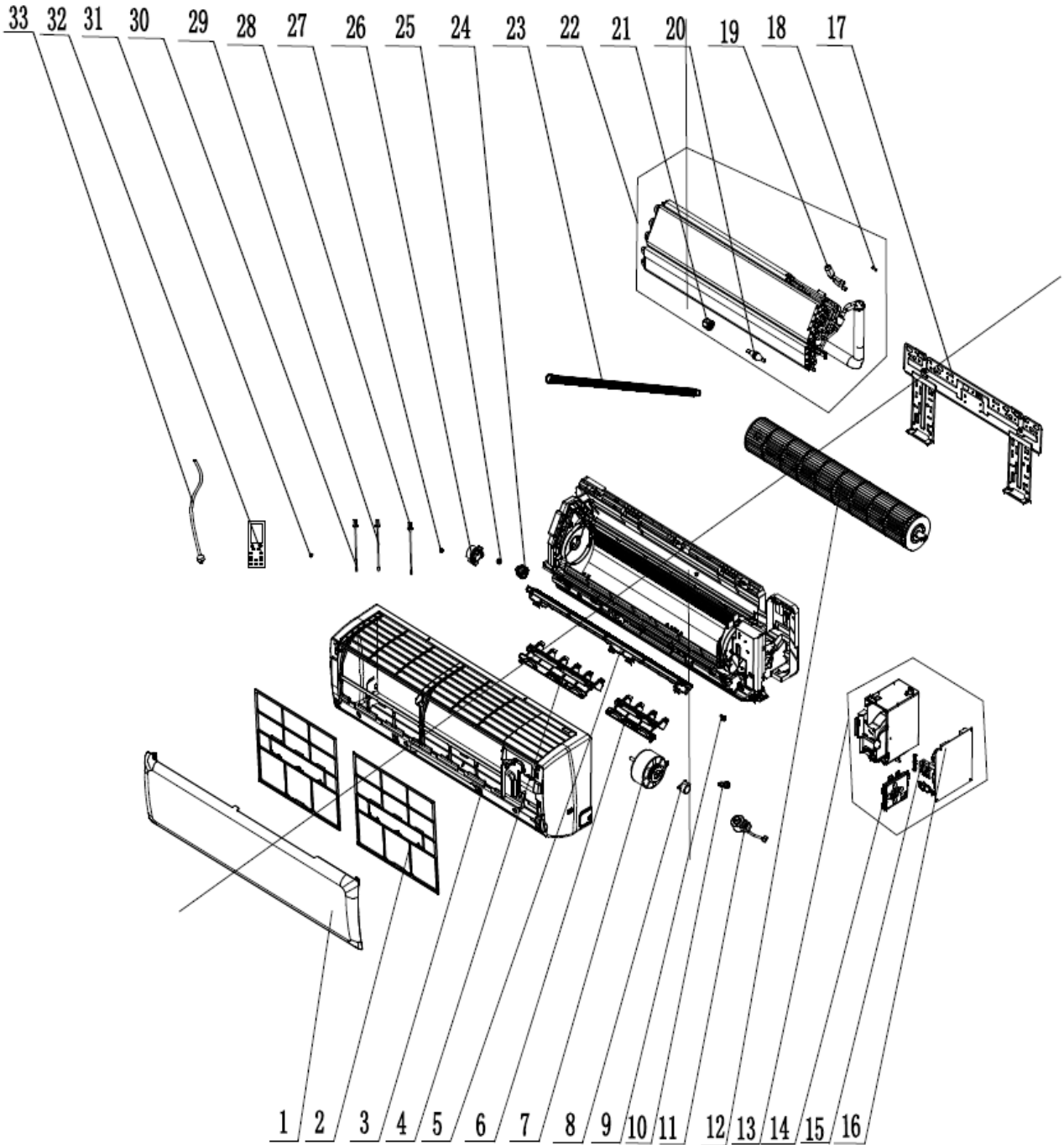
Exploded View of GMV-ND22G/C2B-T、GMV-ND28G/C2B-T、GMV-ND36G/C2B-T:



No.	Name of part	For the following unit	
		Unit	Product Code
		GMV-ND22G/C2B-T	CM100N3040
		GMV-ND28G/C2B-T	CM100N3080
		GMV-ND36G/C2B-T	CM100N3050
	Part code	Quantity	
1	Front Panel	20000300069S	1
2	Filter Sub-Assy	11122468	2
3	Front CaseAssy	00000200045	1
4	Air Louver1	10512723	1
5	Helicoid Tongue	26112436	1
6	Air Louver2	10512724	1
7	Fan Motor	1501246601	1
8	Stepping Motor	1521210710	1
9	Crank	73012005	1
10	Rubber Plug(WaterTray)	76712012	1
11	Electric Expand ValveFitting	4304413216	1
12	Cross Flow Fan	10352056	1
13	Electric Box Assy	100002061039	1
14	Display Board	30565281	1
15	Terminal Board	4201026805	1
16	Main Board	300002060244	1
17	Wall Mounting Frame	01252484	1
18	Filter Sub-Assy	11120011	1
19	Electronic Expansion Valve	07334463	1
20	Strainer A	0721002201	1
21	Sealing Cap(PressureWarning)	2611219201	1
22	Evaporator Assy	011001060163	1
23	Drainage Hose	05230014	1
24	O-Gasket of Cross FanBearing	76512203	1
25	Fan Bearing	7651221001	1
26	Ring of Bearing	26152022	1
27	Left Axile Bush	10512037	1
28	Temperature Sensor	390000454	1
29	Temperature Sensor	39000076G	1
30	Temperature Sensor	390002072	1
31	Axile Bush	10542036	1
32	Remote Controller	30510589	1
33	Power Cord	4002046417	1

Above data is subject to change without notice,pls reference the SP in global service website.

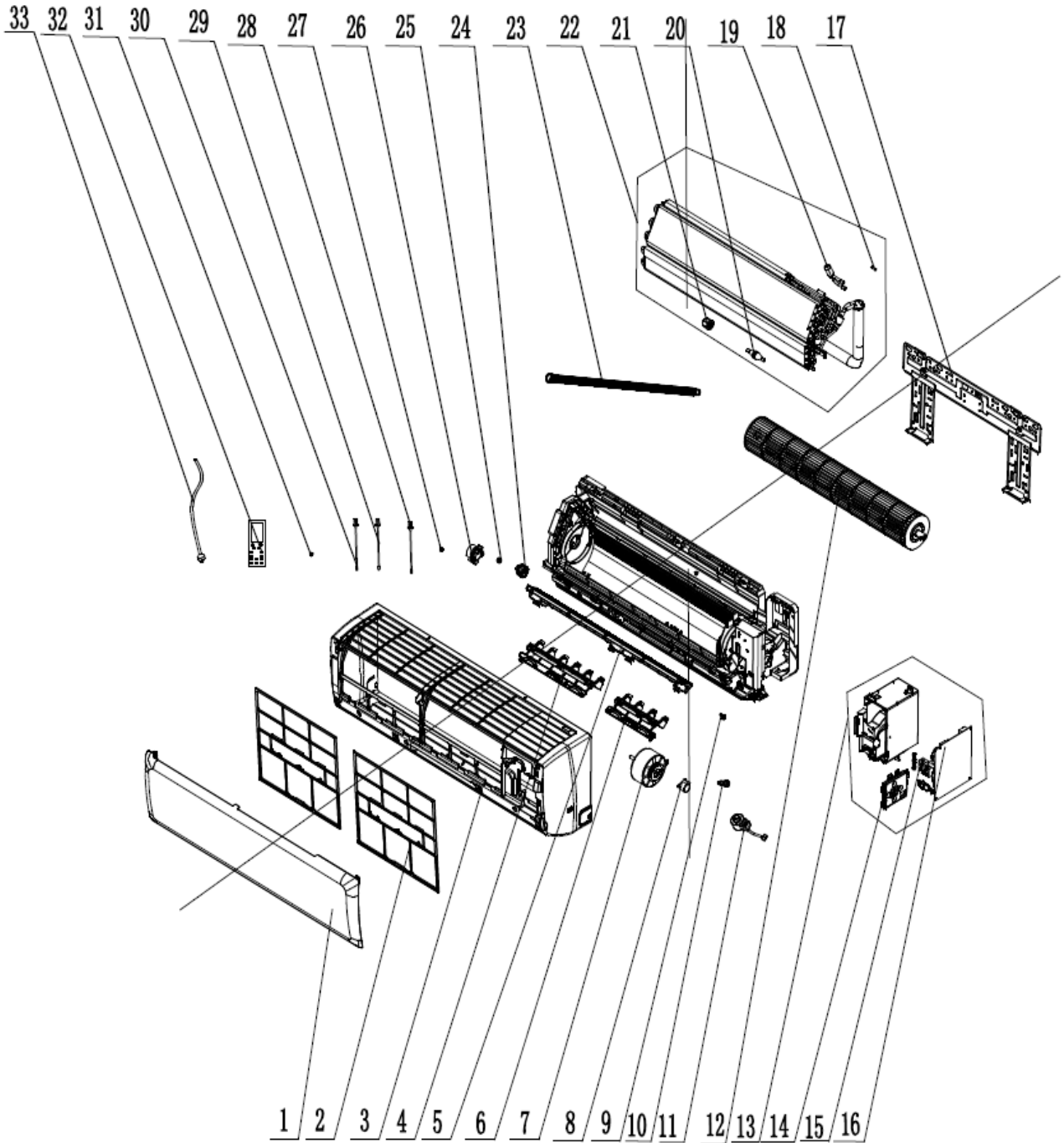
Exploded View of GMV-ND22G/D2B-T、GMV-ND28G/D2B-T、GMV-ND36G/D2B-T:



No.	Name of part	For the following unit	
		Unit	Product Code
		GMV-ND22G/D2B-T	CM100N2850
		GMV-ND28G/D2B-T	CM100N2860
		GMV-ND36G/D2B-T	CM100N2870
	Part code	Quantity	
1	Front Panel	00000300003303	1
2	Filter Sub-Assy	11122468	2
3	Front CaseAssy	00000200000703	1
4	Air Louver1	10512723	1
5	Helicoid Tongue	26112436	1
6	Air Louver2	10512724	1
7	Fan Motor	1501246601	1
8	Stepping Motor	1521210710	1
9	Crank	73012005	1
10	Rubber Plug(WaterTray)	76712012	1
11	Electric Expand ValveFitting	4304413216	1
12	Cross Flow Fan	10352056	1
13	Electric Box Assy	100002061039	1
14	Display Board	30565260	1
15	Terminal Board	4201026805	1
16	Main Board	300002060244	1
17	Wall Mounting Frame	01252484	1
18	Filter Sub-Assy	11120011	1
19	Electronic Expansion Valve	07334463	1
20	Strainer A	0721002201	1
21	Sealing Cap(PressureWarning)	2611219201	1
22	Evaporator Assy	011001060163	1
23	Drainage Hose	05230014	1
24	O-Gasket of Cross FanBearing	76512203	1
25	Fan Bearing	7651221001	1
26	Ring of Bearing	26152022	1
27	Left Axile Bush	10512037	1
28	Temperature Sensor	390000454	1
29	Temperature Sensor	39000076G	1
30	Temperature Sensor	390002072	1
31	Axile Bush	10542036	1
32	Remote Controller	30510589	1
33	Power Cord	4002046417	1

Above data is subject to change without notice,pls reference the SP in global service website.

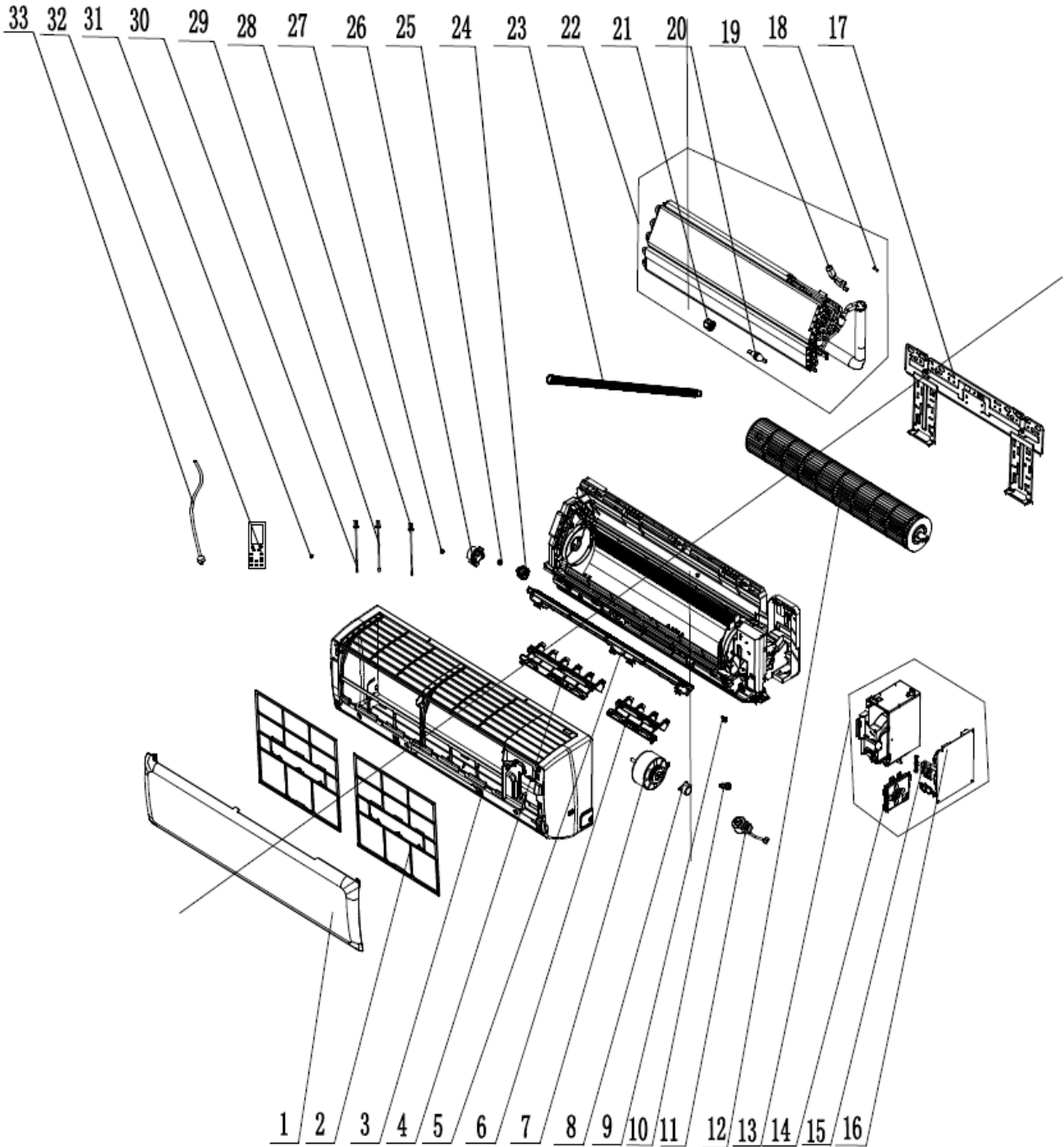
Exploded View of GMV-ND45G/B6B-T、GMV-ND50G/B6B-T:



No.	Name of part	For the following unit	
		Unit	Product Code
		GMV-ND45G/B6B-T	CM100N3250
		GMV-ND50G/B6B-T	CM100N3200
		Part code	Quantity
1	Front Panel	20000300040T	1
2	Filter Sub-Assy	1112208906	2
3	Front CaseAssy	00000200042	1
4	Air Louver1	10512732	1
5	Helicoid Tongue	26112512	1
6	Air Louver2	10512724	0
7	Fan Motor	15012136	1
8	Stepping Motor	1521240212	1
9	Crank	73012005	1
10	Rubber Plug(WaterTray)	76712012	1
11	Electric Expand ValveFitting	4304413216	1
12	Cross Flow Fan	10352060	1
13	Electric Box Assy	100002061356	1
14	Display Board	30565281	1
15	Terminal Board	4201026805	1
16	Main Board	300002061506	1
17	Wall Mounting Frame	01362026	1
18	Filter Sub-Assy	030209060001	1
19	Electronic Expansion Valve	07334466	1
20	Strainer A	0721002201	1
21	Sealing Cap(PressureWarning)	2611219202	1
22	Evaporator Assy	011001060216	1
23	Drainage Hose	05230014	1
24	O-Gasket of Cross FanBearing	76512203	1
25	Fan Bearing	7651221001	1
26	Ring of Bearing	26152025	1
27	Left Axile Bush	10512037	1
28	Temperature Sensor	390000454	1
29	Temperature Sensor	39000076G	1
30	Temperature Sensor	390002072	1
31	Axile Bush	10542036	1
32	Remote Controller	30510589	1
33	Power Cord	4002046417	1

Above data is subject to change without notice,pls reference the SP in global service website.

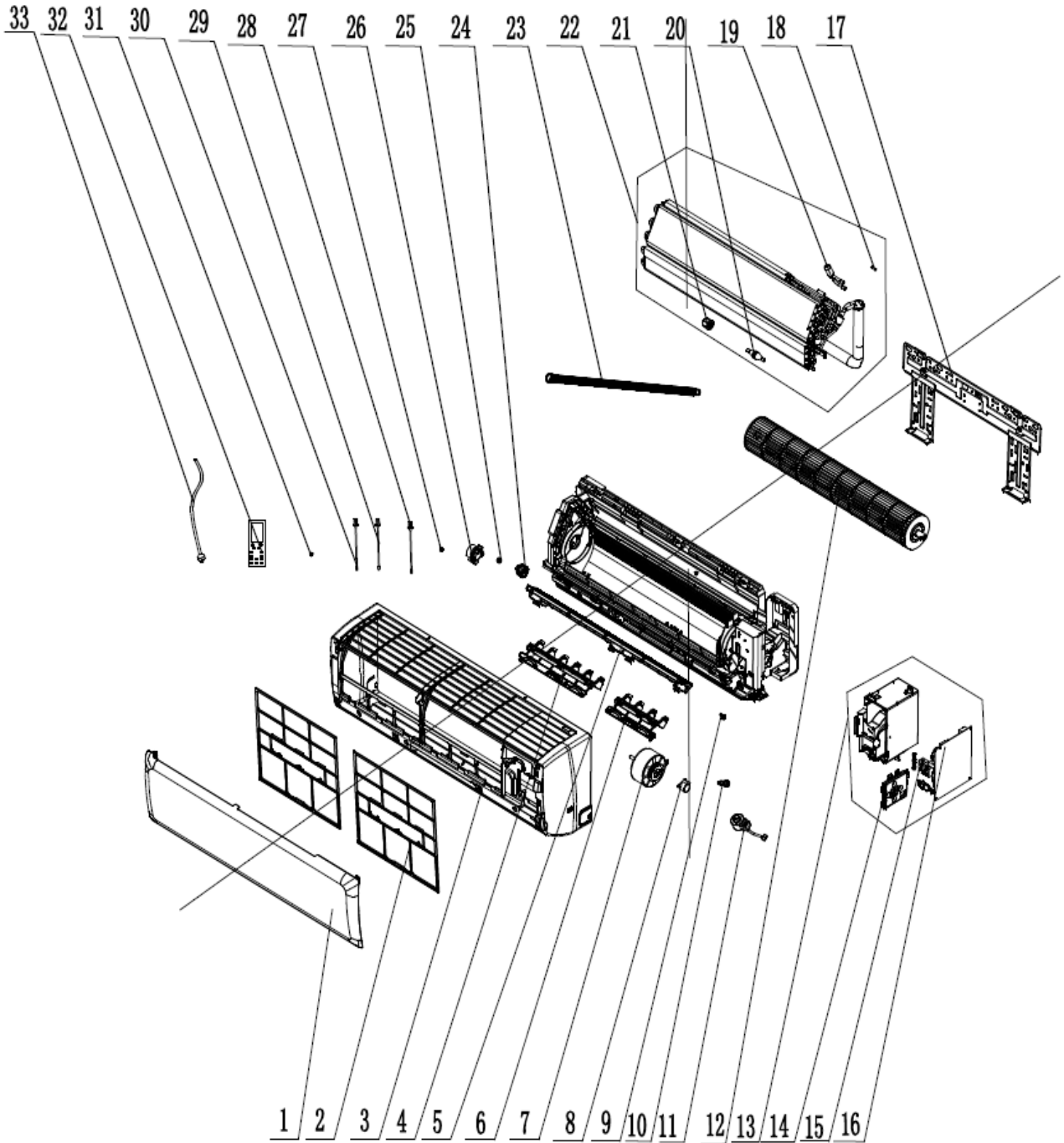
Exploded View of GMV-ND45G/B4B-T、GMV-ND50G/B4B-T:



No.	Name of part	For the following unit	
		Unit	Product Code
		GMV-ND45G/B4B-T	CM100N2790
		GMV-ND50G/B4B-T	CM100N2800
		Part code	Quantity
1	Front Panel	20000300028T	1
2	Filter Sub-Assy	1112208906	2
3	Front CaseAssy	00000200042	1
4	Air Louver1	10512732	1
5	Helicoid Tongue	26112512	1
6	Air Louver2	10512724	0
7	Fan Motor	15012136	1
8	Stepping Motor	1521240212	1
9	Crank	73012005	1
10	Rubber Plug(WaterTray)	76712012	1
11	Electric Expand ValveFitting	4304413216	1
12	Cross Flow Fan	10352060	1
13	Electric Box Assy	100002061356	1
14	Display Board	30565260	1
15	Terminal Board	4201026805	1
16	Main Board	300002060244	1
17	Wall Mounting Frame	01362026	1
18	Filter Sub-Assy	030209060001	1
19	Electronic Expansion Valve	07334466	1
20	Strainer A	0721002201	1
21	Sealing Cap(PressureWarning)	2611219202	1
22	Evaporator Assy	011001060216	1
23	Drainage Hose	05230014	1
24	O-Gasket of Cross FanBearing	76512203	1
25	Fan Bearing	7651221001	1
26	Ring of Bearing	26152025	1
27	Left Axile Bush	10512037	1
28	Temperature Sensor	390000454	1
29	Temperature Sensor	39000076G	1
30	Temperature Sensor	390002072	1
31	Axile Bush	10542036	1
32	Remote Controller	30510589	1
33	Power Cord	4002046417	1

Above data is subject to change without notice,pls reference the SP in global service website.

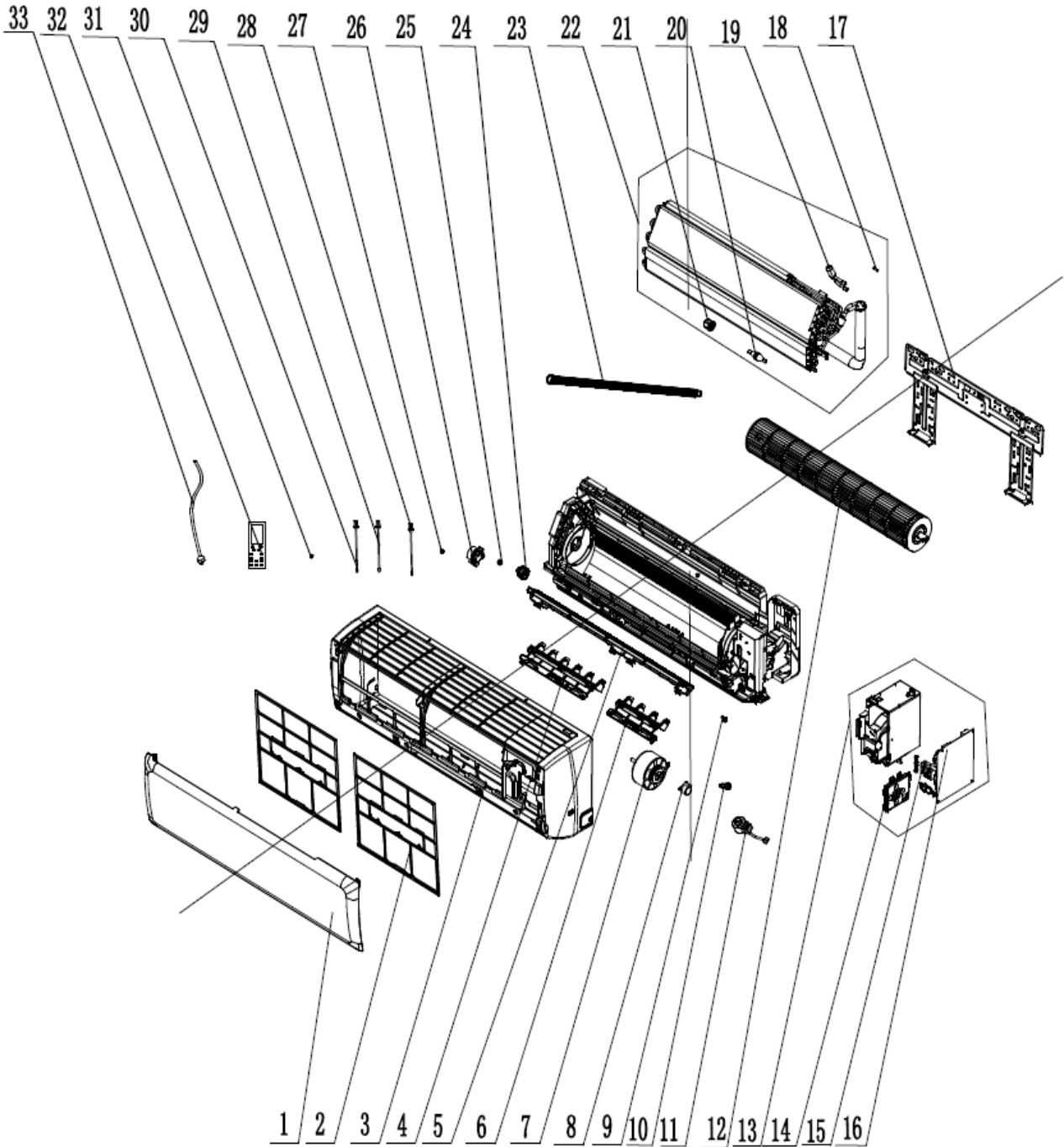
Exploded View of GMV-ND45G/C4B-T、GMV-ND50G/C4B-T:



No.	Name of part	For the following unit	
		Unit	Product Code
		GMV-ND45G/C4B-T	CM100N3120
		GMV-ND50G/C4B-T	CM100N3160
		Part code	Quantity
1	Front Panel	20000300106S	1
2	Filter Sub-Assy	1112208906	2
3	Front CaseAssy	00000200042	1
4	Air Louver1	10512732	1
5	Helicoid Tongue	26112512	1
6	Air Louver2	10512724	0
7	Fan Motor	15012136	1
8	Stepping Motor	1521240212	1
9	Crank	73012005	1
10	Rubber Plug(WaterTray)	76712012	1
11	Electric Expand ValveFitting	4304413216	1
12	Cross Flow Fan	10352060	1
13	Electric Box Assy	100002061356	1
14	Display Board	30565260	1
15	Terminal Board	4201026805	1
16	Main Board	300002060244	1
17	Wall Mounting Frame	01362026	1
18	Filter Sub-Assy	030209060001	1
19	Electronic Expansion Valve	07334466	1
20	Strainer A	0721002201	1
21	Sealing Cap(PressureWarning)	2611219202	1
22	Evaporator Assy	011001060216	1
23	Drainage Hose	05230014	1
24	O-Gasket of Cross FanBearing	76512203	1
25	Fan Bearing	7651221001	1
26	Ring of Bearing	26152025	1
27	Left Axile Bush	10512037	1
28	Temperature Sensor	390000454	1
29	Temperature Sensor	39000076G	1
30	Temperature Sensor	390002072	1
31	Axile Bush	10542036	1
32	Remote Controller	30510589	1
33	Power Cord	4002046417	1

Above data is subject to change without notice,pls reference the SP in global service website.

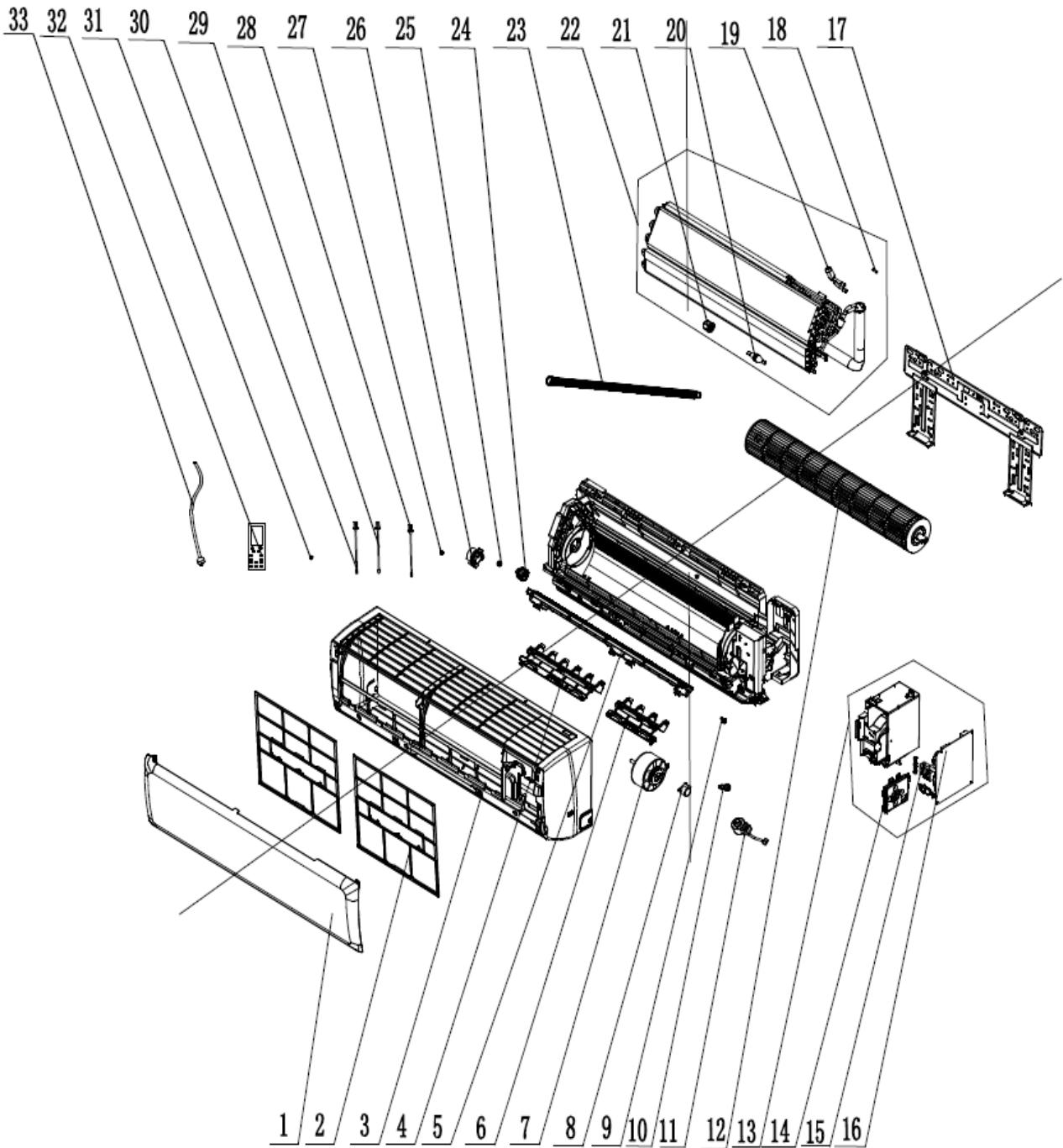
Exploded View of GMV-ND45G/C2B-T、GMV-ND50G/C2B-T:



No.	Name of part	For the following unit	
		Unit	Product Code
		GMV-ND45G/C2B-T	CM100N3060
		GMV-ND50G/C2B-T	CM100N3070
		Part code	Quantity
1	Front Panel	20000300070S	1
2	Filter Sub-Assy	1112208906	2
3	Front CaseAssy	00000200042	1
4	Air Louver1	10512732	1
5	Helicoid Tongue	26112512	1
6	Air Louver2	10512724	0
7	Fan Motor	15012136	1
8	Stepping Motor	1521240212	1
9	Crank	73012005	1
10	Rubber Plug(WaterTray)	76712012	1
11	Electric Expand ValveFitting	4304413216	1
12	Cross Flow Fan	10352060	1
13	Electric Box Assy	100002061356	1
14	Display Board	30565281	1
15	Terminal Board	4201026805	1
16	Main Board	300002060244	1
17	Wall Mounting Frame	01362026	1
18	Filter Sub-Assy	030209060001	1
19	Electronic Expansion Valve	07334466	1
20	Strainer A	0721002201	1
21	Sealing Cap(PressureWarning)	2611219202	1
22	Evaporator Assy	011001060216	1
23	Drainage Hose	05230014	1
24	O-Gasket of Cross FanBearing	76512203	1
25	Fan Bearing	7651221001	1
26	Ring of Bearing	26152025	1
27	Left Axile Bush	10512037	1
28	Temperature Sensor	390000454	1
29	Temperature Sensor	39000076G	1
30	Temperature Sensor	390002072	1
31	Axile Bush	10542036	1
32	Remote Controller	30510589	1
33	Power Cord	4002046417	1

Above data is subject to change without notice,pls reference the SP in global service website.

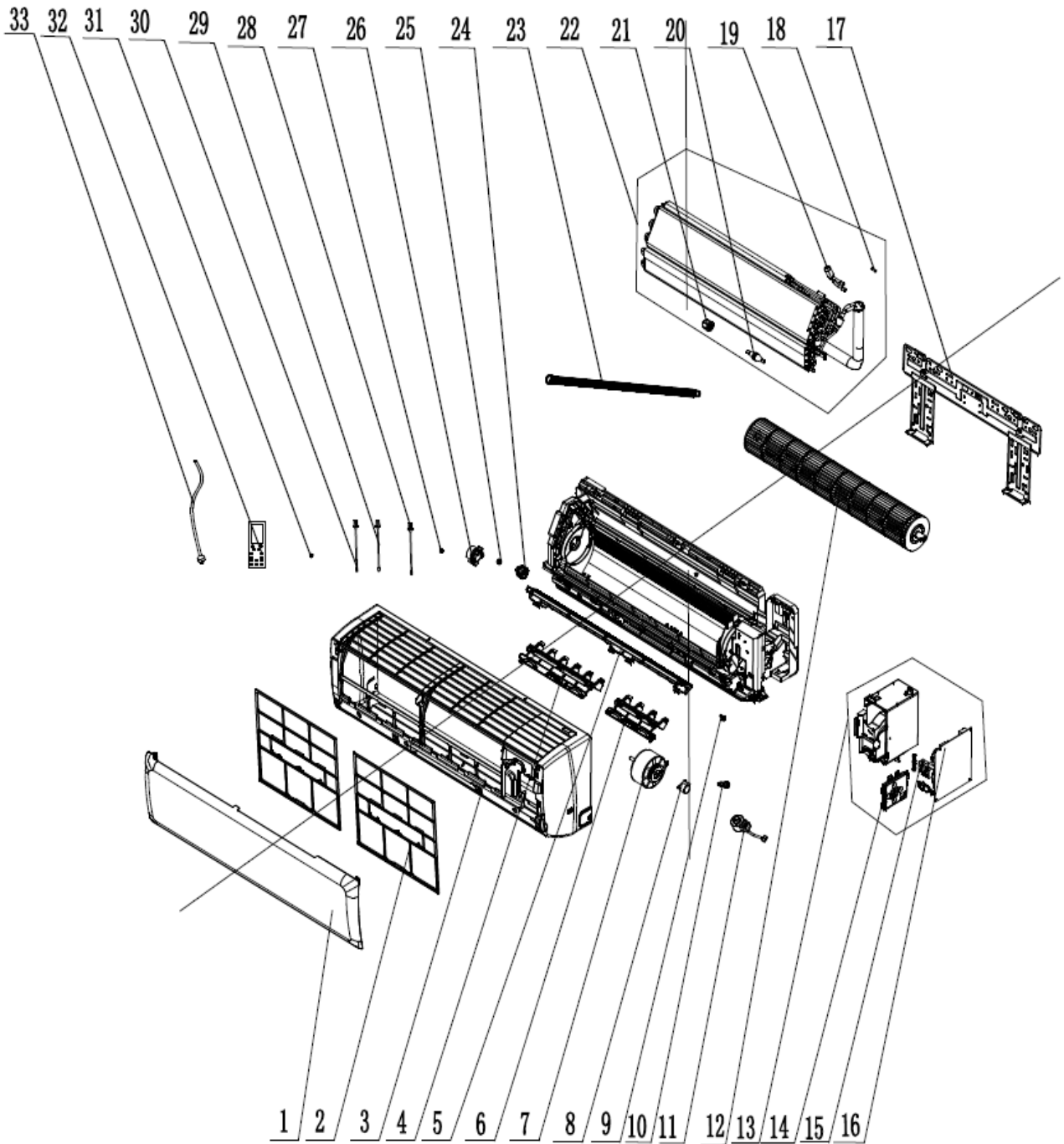
Exploded View of GMV-ND45G/D2B-T、GMV-ND50G/D2B-T:



No.	Name of part	For the following unit	
		Unit	Product Code
		GMV-ND45G/D2B-T	CM100N2880
		GMV-ND50G/D2B-T	CM100N2890
		Part code	Quantity
1	Front Panel	00000300003104	1
2	Filter Sub-Assy	1112208906	2
3	Front CaseAssy	0000020004203	1
4	Air Louver1	10512732	3
5	Helicoid Tongue	26112512	1
6	Air Louver2	10512724	0
7	Fan Motor	15012136	1
8	Stepping Motor	1521240212	1
9	Crank	73012005	1
10	Rubber Plug(WaterTray)	76712012	1
11	Electric Expand ValveFitting	4304413216	1
12	Cross Flow Fan	10352060	1
13	Electric Box Assy	100002061356	1
14	Display Board	30565260	1
15	Terminal Board	4201026805	1
16	Main Board	300002060244	1
17	Wall Mounting Frame	01362026	1
18	Filter Sub-Assy	030209060001	1
19	Electronic Expansion Valve	07334466	1
20	Strainer A	0721002201	1
21	Sealing Cap(PressureWarning)	2611219202	1
22	Evaporator Assy	011001060216	1
23	Drainage Hose	05230014	1
24	O-Gasket of Cross FanBearing	76512203	1
25	Fan Bearing	7651221001	1
26	Ring of Bearing	26152025	1
27	Left Axile Bush	10512037	1
28	Temperature Sensor	390000454	1
29	Temperature Sensor	39000076G	1
30	Temperature Sensor	390002072	1
31	Axile Bush	10542036	1
32	Remote Controller	30510589	1
33	Power Cord	4002046417	1

Above data is subject to change without notice,pls reference the SP in global service website.

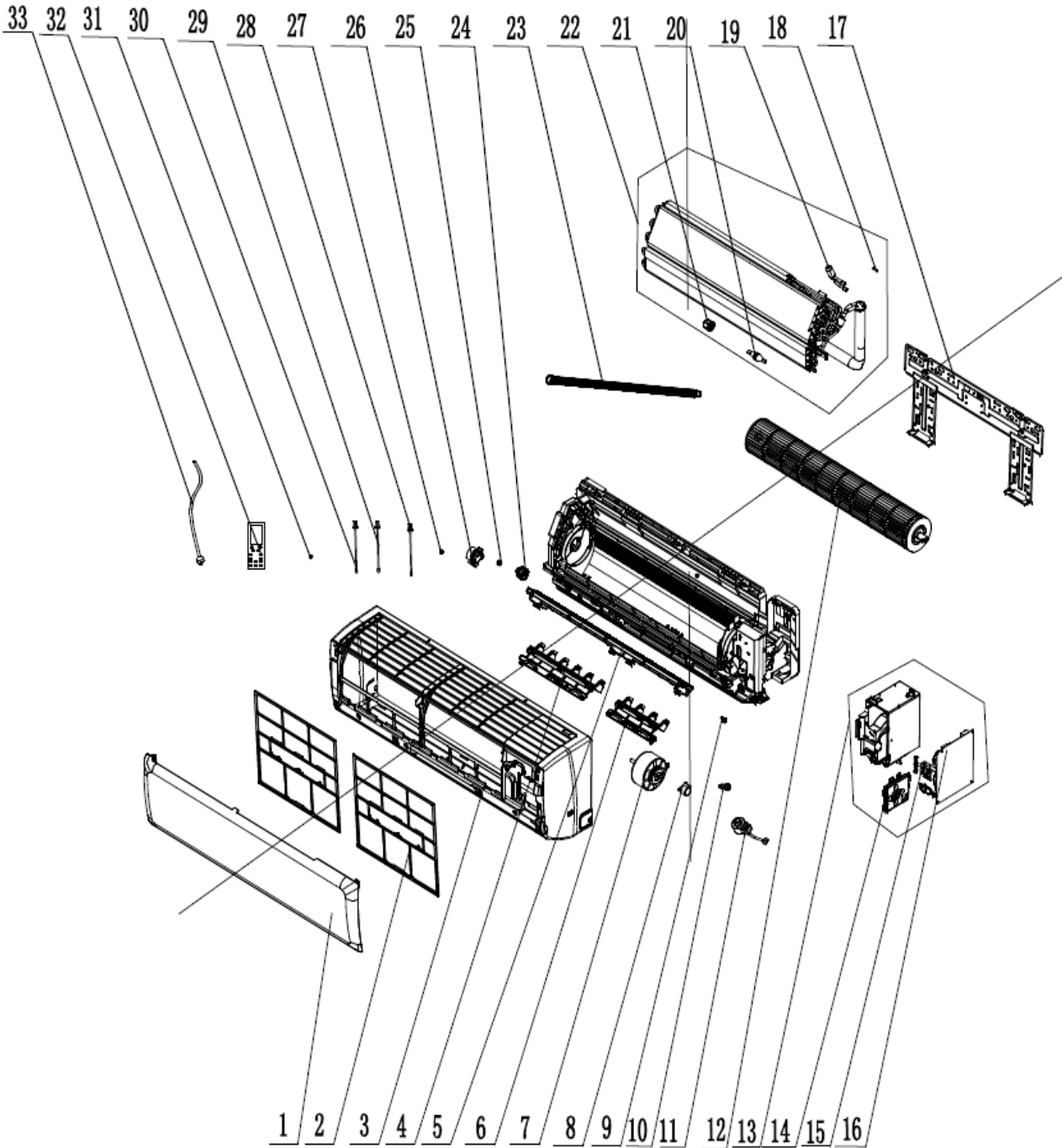
Exploded View of GMV-ND56G/B6B-T、GMV-ND63G/B6B-T、GMV-ND71G/B6B-T:



No.	Name of part	For the following unit	
		Unit	Product Code
		GMV-ND56G/B6B-T	CM100N3240
		GMV-ND63G/B6B-T	CM100N3230
		GMV-ND71G/B6B-T	CM100N3220
	Part code	Quantity	
1	Front Panel	20000300048T	1
2	Filter Sub-Assy	1101200703	2
3	Front CaseAssy	00000200043	1
4	Air Louver 1	10512737	3
5	Helicoid Tongue	26112513	1
6	Air Louver 2	10512724	0
7	Fan Motor	15012136	1
8	Stepping Motor	1521240212	1
9	Crank	73012005	1
10	Rubber Plug(WaterTray)	76712012	1
11	Electric Expand ValveFitting	4304413216	1
12	Cross Flow Fan	10352057	1
13	Electric Box Assy	100002061356	1
14	Display Board	30565281	1
15	Terminal Board	4201026805	1
16	Main Board	300002061506	1
17	Wall Mounting Frame	01252229	1
18	Filter Sub-Assy	030209060001	1
19	Electronic Expansion Valve	07334466	1
20	Strainer A	0721002201	1
21	Sealing Cap(PressureWarning)	2611219202	1
22	Evaporator Assy	011001060225	1
23	Drainage Hose	05230014	1
24	O-Gasket of Cross FanBearing	76512203	1
25	Fan Bearing	7651221001	1
26	Ring of Bearing	26152025	1
27	Left Axile Bush	10512037	1
28	Temperature Sensor	390000454	1
29	Temperature Sensor	39000076G	1
30	Temperature Sensor	390002072	1
31	Axile Bush	10542036	1
32	Remote Controller	30510589	1
33	Power Cord	4002046417	1

Above data is subject to change without notice,pls reference the SP in global service website.

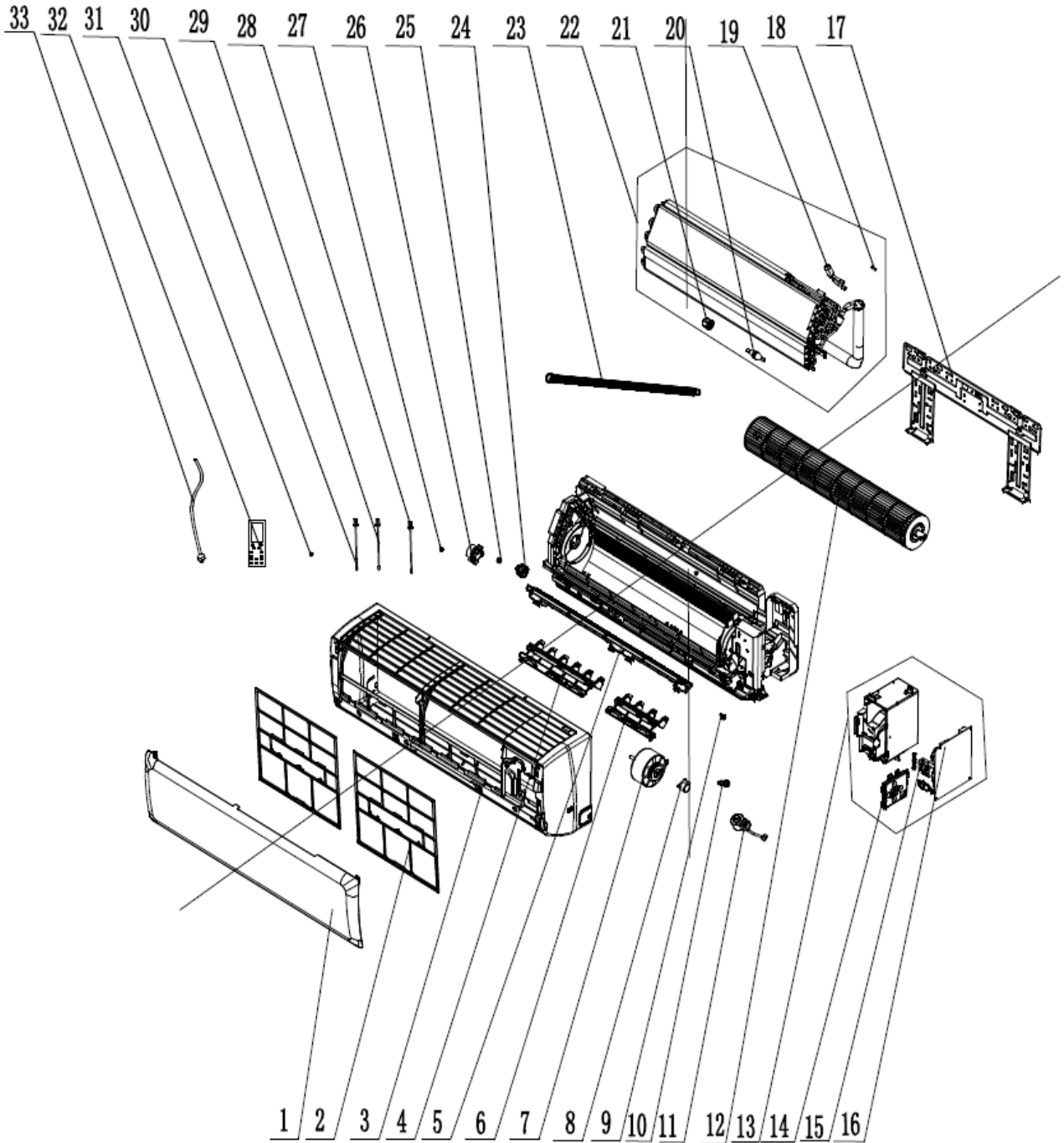
Exploded View of GMV-ND56G/B4B-T、GMV-ND63G/B4B-T、GMV-ND71G/B4B-T:



No.	Name of part	For the following unit	
		Unit	Product Code
		GMV-ND56G/B4B-T	CM100N2810
		GMV-ND63G/B4B-T	CM100N2820
		GMV-ND71G/B4B-T	CM100N2830
	Part code	Quantity	
1	Front Panel	20000300029T	1
2	Filter Sub-Assy	1101200703	2
3	Front CaseAssy	00000200043	1
4	Air Louver 1	10512737	3
5	Helicoid Tongue	26112513	1
6	Air Louver 2	10512724	0
7	Fan Motor	15012136	1
8	Stepping Motor	1521240212	1
9	Crank	73012005	1
10	Rubber Plug(WaterTray)	76712012	1
11	Electric Expand ValveFitting	4304413216	1
12	Cross Flow Fan	10352057	1
13	Electric Box Assy	100002061356	1
14	Display Board	30565260	1
15	Terminal Board	4201026805	1
16	Main Board	300002060244	1
17	Wall Mounting Frame	01252229	1
18	Filter Sub-Assy	030209060001	1
19	Electronic Expansion Valve	07334466	1
20	Strainer A	0721002201	1
21	Sealing Cap(PressureWarning)	2611219202	1
22	Evaporator Assy	011001060225	1
23	Drainage Hose	05230014	1
24	O-Gasket of Cross FanBearing	76512203	1
25	Fan Bearing	7651221001	1
26	Ring of Bearing	26152025	1
27	Left Axile Bush	10512037	1
28	Temperature Sensor	390000454	1
29	Temperature Sensor	39000076G	1
30	Temperature Sensor	390002072	1
31	Axile Bush	10542036	1
32	Remote Controller	30510589	1
33	Power Cord	4002046417	1

Above data is subject to change without notice,pls reference the SP in global service website.

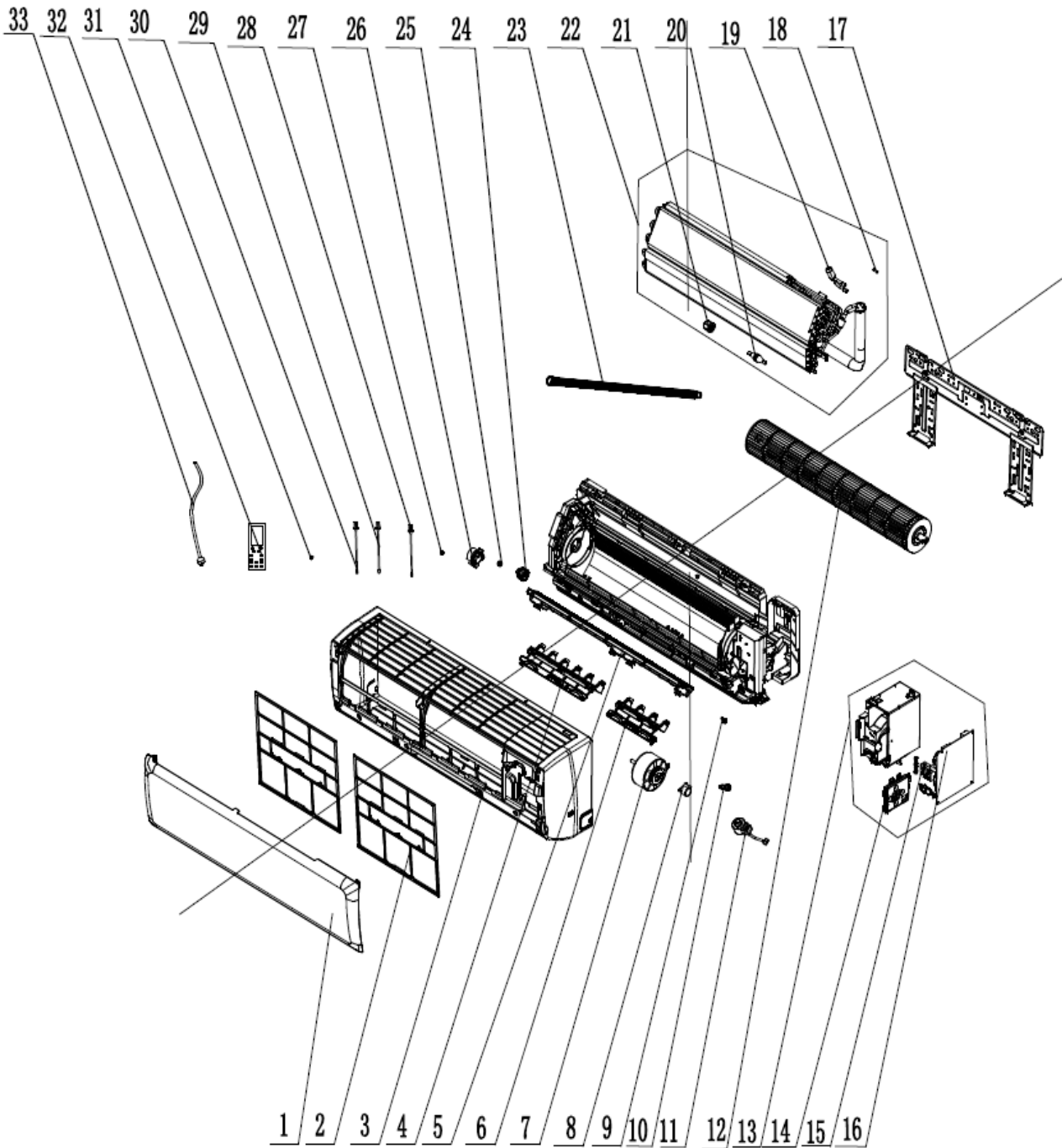
Exploded View of GMV-ND56G/C4B-T、GMV-ND63G/C4B-T、GMV-ND71G/C4B-T:



No.	Name of part	For the following unit	
		Unit	Product Code
		GMV-ND56G/C4B-T	CM100N3170
		GMV-ND63G/C4B-T	CM100N3180
		GMV-ND71G/C4B-T	CM100N3190
		Part code	Quantity
1	Front Panel	20000300099S	1
2	Filter Sub-Assy	1101200703	2
3	Front CaseAssy	00000200043	1
4	Air Louver 1	10512737	3
5	Helicoid Tongue	26112513	1
6	Air Louver 2	10512724	0
7	Fan Motor	15012136	1
8	Stepping Motor	1521240212	1
9	Crank	73012005	1
10	Rubber Plug(WaterTray)	76712012	1
11	Electric Expand ValveFitting	4304413216	1
12	Cross Flow Fan	10352057	1
13	Electric Box Assy	100002061356	1
14	Display Board	30565260	1
15	Terminal Board	4201026805	1
16	Main Board	300002060244	1
17	Wall Mounting Frame	01252229	1
18	Filter Sub-Assy	030209060001	1
19	Electronic Expansion Valve	07334466	1
20	Strainer A	0721002201	1
21	Sealing Cap(PressureWarning)	2611219202	1
22	Evaporator Assy	011001060225	1
23	Drainage Hose	05230014	1
24	O-Gasket of Cross FanBearing	76512203	1
25	Fan Bearing	7651221001	1
26	Ring of Bearing	26152025	1
27	Left Axile Bush	10512037	1
28	Temperature Sensor	390000454	1
29	Temperature Sensor	39000076G	1
30	Temperature Sensor	390002072	1
31	Axile Bush	10542036	1
32	Remote Controller	30510589	1
33	Power Cord	4002046417	1

Above data is subject to change without notice,pls reference the SP in global service website.

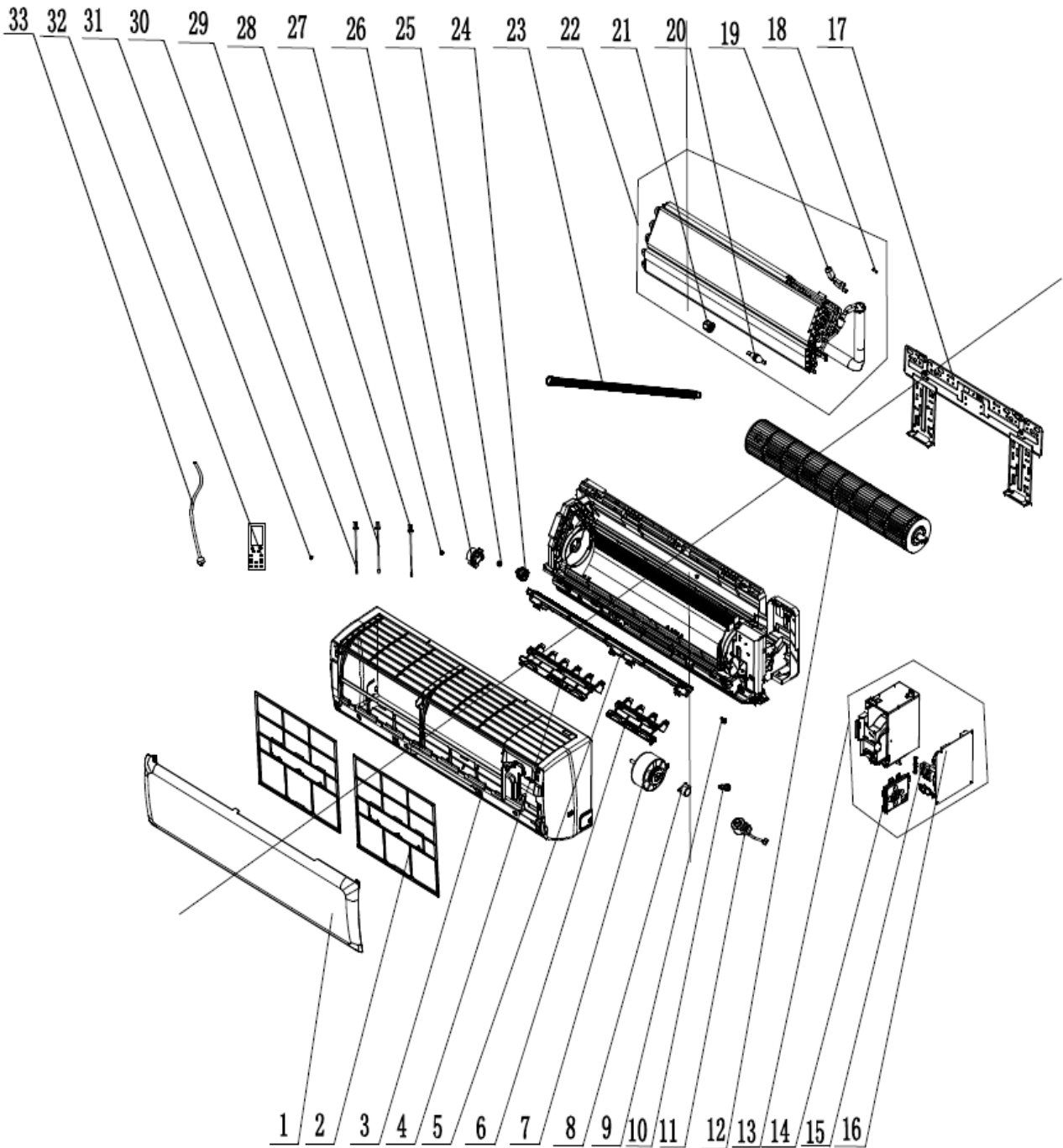
Exploded View of GMV-ND56G/C2B-T、GMV-ND63G/C2B-T、GMV-ND71G/C2B-T:



No.	Name of part	For the following unit	
		Unit	Product Code
		GMV-ND56G/C2B-T	CM100N3110
		GMV-ND63G/C2B-T	CM100N3100
		GMV-ND71G/C2B-T	CM100N3090
	Part code	Quantity	
1	Front Panel	20000300071S	1
2	Filter Sub-Assy	1101200703	2
3	Front CaseAssy	00000200043	1
4	Air Louver 1	10512737	3
5	Helicoid Tongue	26112513	1
6	Air Louver 2	10512724	0
7	Fan Motor	15012136	1
8	Stepping Motor	1521240212	1
9	Crank	73012005	1
10	Rubber Plug(WaterTray)	76712012	1
11	Electric Expand ValveFitting	4304413216	1
12	Cross Flow Fan	10352057	1
13	Electric Box Assy	100002061356	1
14	Display Board	30565281	1
15	Terminal Board	4201026805	1
16	Main Board	300002060244	1
17	Wall Mounting Frame	01252229	1
18	Filter Sub-Assy	030209060001	1
19	Electronic Expansion Valve	07334466	1
20	Strainer A	0721002201	1
21	Sealing Cap(PressureWarning)	2611219202	1
22	Evaporator Assy	011001060225	1
23	Drainage Hose	05230014	1
24	O-Gasket of Cross FanBearing	76512203	1
25	Fan Bearing	7651221001	1
26	Ring of Bearing	26152025	1
27	Left Axile Bush	10512037	1
28	Temperature Sensor	390000454	1
29	Temperature Sensor	39000076G	1
30	Temperature Sensor	390002072	1
31	Axile Bush	10542036	1
32	Remote Controller	30510589	1
33	Power Cord	4002046417	1

Above data is subject to change without notice,pls reference the SP in global service website.

Exploded View of GMV-ND56G/D2B-T、GMV-ND63G/D2B-T、GMV-ND71G/D2B-T:

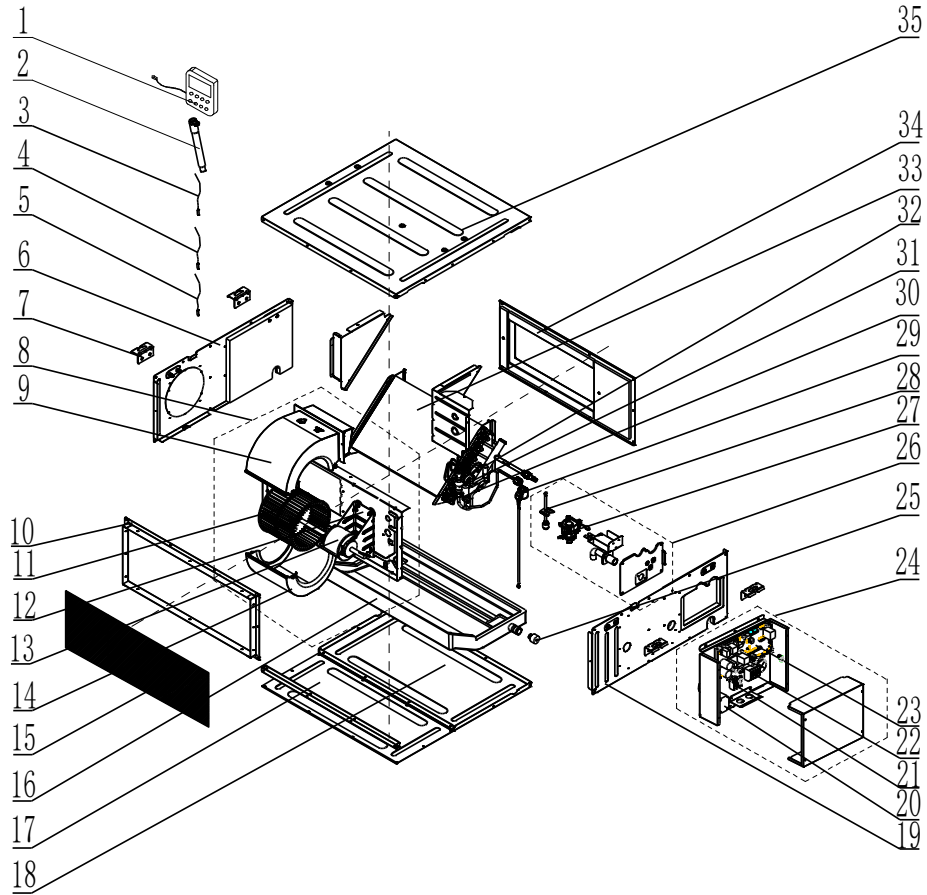


No.	Name of part	For the following unit	
		Unit	Product Code
		GMV-ND56G/D2B-T	CM100N2900
		GMV-ND63G/D2B-T	CM100N2910
		GMV-ND71G/D2B-T	CM100N2920
	Part code	Quantity	
1	Front Panel	0000030023501	1
2	Filter Sub-Assy	1101200703	2
3	Front CaseAssy	0000020017301	1
4	Air Louver 1	10512737	3
5	Helicoid Tongue	26112513	1
6	Air Louver 2	10512724	0
7	Fan Motor	15012136	1
8	Stepping Motor	1521240212	1
9	Crank	73012005	1
10	Rubber Plug(WaterTray)	76712012	1
11	Electric Expand ValveFitting	4304413216	1
12	Cross Flow Fan	10352057	1
13	Electric Box Assy	100002061356	1
14	Display Board	30565260	1
15	Terminal Board	4201026805	1
16	Main Board	300002060244	1
17	Wall Mounting Frame	01252229	1
18	Filter Sub-Assy	030209060001	1
19	Electronic Expansion Valve	07334466	1
20	Strainer A	0721002201	1
21	Sealing Cap(PressureWarning)	2611219202	1
22	Evaporator Assy	011001060225	1
23	Drainage Hose	05230014	1
24	O-Gasket of Cross FanBearing	76512203	1
25	Fan Bearing	7651221001	1
26	Ring of Bearing	26152025	1
27	Left Axile Bush	10512037	1
28	Temperature Sensor	390000454	1
29	Temperature Sensor	39000076G	1
30	Temperature Sensor	390002072	1
31	Axile Bush	10542036	1
32	Remote Controller	30510589	1
33	Power Cord	4002046417	1

Above data is subject to change without notice,pls reference the SP in global service website.

5.14 Super High Static Pressure Duct Type Indoor Unit

Exploded View of GMV-ND22PHS/B-T, GMV-ND25PHS/B-T, GMV-ND28PHS/B-T, GMV-ND32PHS/B-T, GMV-ND36PHS/B-T:

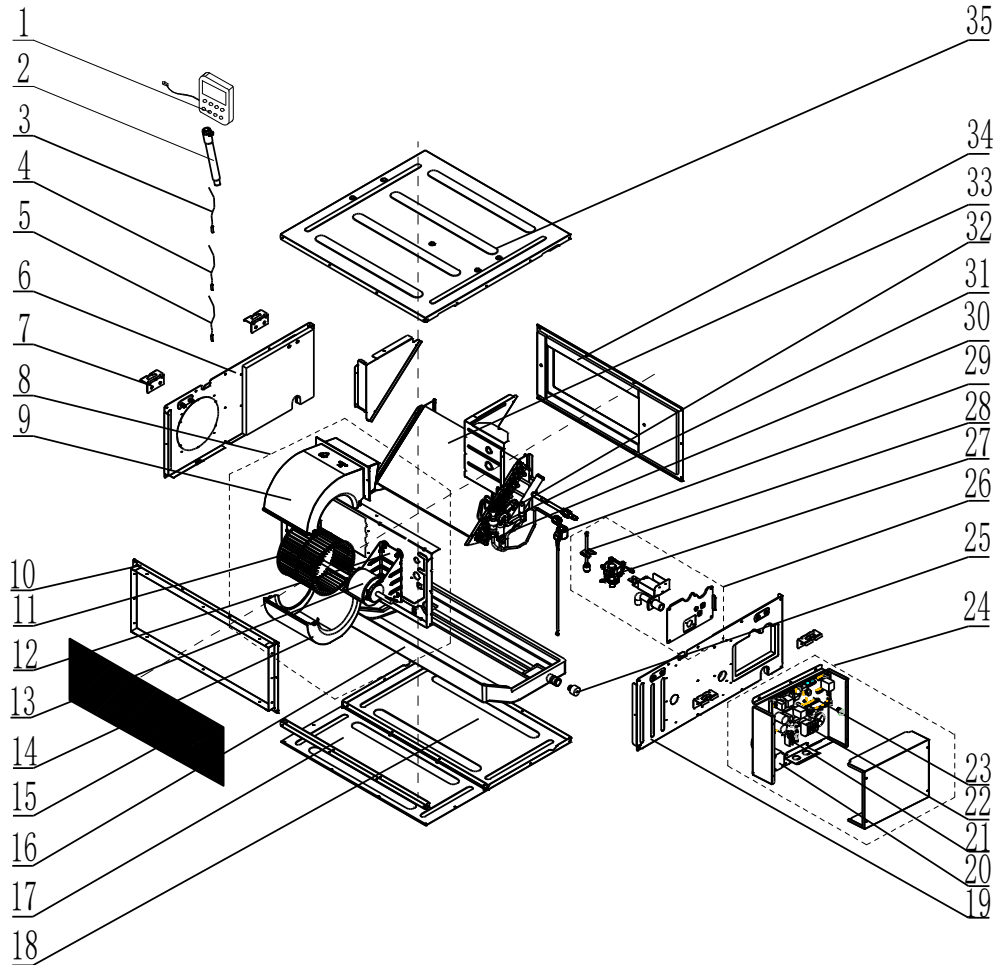


No.	Name of part	For the following unit	
		Unit	Product Code
		GMV-ND22PHS/B-T	CM810N0300
		GMV-ND25PHS/B-T	CM810N0310
		GMV-ND28PHS/B-T	CM810N0320
		GMV-ND32PHS/B-T	CM810N0330
		GMV-ND36PHS/B-T	CM810N0340
		Part code	Quantity
1	Display Board	30296000040	1
2	Drain Hose Sub-Assy	05232050	1
3	Temperature Sensor	390000454	1
4	Temperature Sensor	390000592	1
5	Temperature Sensor	3900005910	1
6	Right Side Plate Assy	01315200148	1
7	Hook	02112466	4
8	Centrifugal Fan Assy	15404100074	1
9	Propeller Housing(Upper)	26905200078	1
10	Centrifugal Fan	10455200003	1
11	Supporter(Fan motor)	0180520027201	1
12	Brushless DC Motor	1570520000501	1
13	Propeller Housing(Lower)	26905200079	1
14	Foam Sub-assy	12505200038	1

No.	Name of part	For the following unit	
		Unit	Product Code
		GMV-ND22PHS/B-T	CM810N0300
		GMV-ND25PHS/B-T	CM810N0310
		GMV-ND28PHS/B-T	CM810N0320
		GMV-ND32PHS/B-T	CM810N0330
		GMV-ND36PHS/B-T	CM810N0340
		Part code	Quantity
15	Filter Sub-Assy	111001000055	1
16	Return Air Frame Sub-Assy	017026000004	1
17	Cover Of Air-In	01265200182	1
18	Bottom Cover Plate	01265200181	1
19	Left Side Plate Assy	01315200147	1
20	Inductance	43128000014	1
21	Terminal Board	4201115402	1
22	Terminal Board	4201800002601	1
23	Main Board	30226000089	1
24	Electric Box Assy	100002000985	1
25	Choke Plug Of Drain Pipe	76815214	2
26	Seal Plate Assy	01495200079	1
27	Water Pump	43138000058	1
28	Water Level Switch	45020216	1
29	Electric Expand Valve Fitting	4304413215	1
30	Strainer	07415210	1
31	Strainer	0741410000601	1
32	Electronic Expansion Valve	07334466	1
33	Evaporator Assy	011001000132(22/28) 01024100206(32/36)	1
34	Air Outlet Frame Assy	01374100070	1
35	Top Cover Board Assy	01264100081	1

Above data is subject to change without notice, pls refer the SP in global service website.

Exploded View of GMV-ND40PHS/B-T, GMV-ND45PHS/B-T, GMV-ND50PHS/B-T:

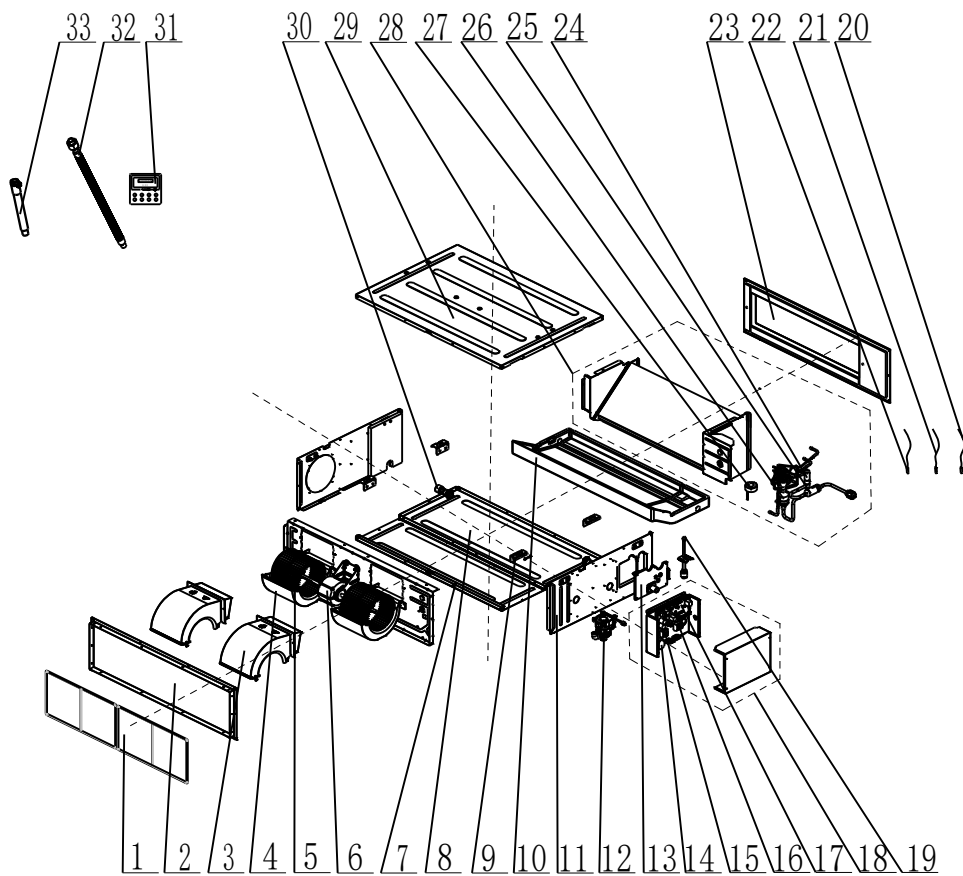


No.	Name of part	For the following unit	
		Unit	Product Code
		GMV-ND40PHS/B-T	CM810N0350
		GMV-ND45PHS/B-T	CM810N0360
		GMV-ND50PHS/B-T	CM810N0370
	Part code	Quantity	
1	Display Board	30296000040	1
2	Drain Hose Sub-Assy	05232050	1
3	Temperature Sensor	390000454	1
4	Temperature Sensor	390000592	1
5	Temperature Sensor	3900005910	1
6	Right Side Plate Assy	01315200148	1
7	Hook	02112466	4
8	Centrifugal Fan Assy	15404100074	1
9	Propeller Housing(Upper)	26905200078	1
10	Return Air Frame Sub-Assy	017026000004	1
11	Centrifugal Fan	10455200003	1
12	Supporter(Fan motor)	0180520027201	1
13	Brushless DC Motor	1570520000501	1
14	Propeller Housing(Lower)	26905200079	1
15	Filter Sub-Assy	111001000055	1
16	Foam Sub-assy	12505200038	1
17	Cover Of Air-In	01265200182	1

No.	Name of part	For the following unit	
		Unit	Product Code
		GMV-ND40PHS/B-T	CM810N0350
		GMV-ND45PHS/B-T	CM810N0360
		GMV-ND50PHS/B-T	CM810N0370
		Part code	Quantity
18	Bottom Cover Plate	01265200181	1
19	Left Side Plate Assy	01315200147	1
20	Inductance	43128000014	1
21	Terminal Board	4201115402	1
22	Terminal Board	4201800002601	1
23	Main Board	30226000089	1
24	Electric Box Assy	100002000985	1
25	Choke Plug Of Drain Pipe	76815214	2
26	Seal Plate Assy	01495200079	1
27	Water Pump	43138000058	1
28	Water Level Switch	45020216	1
29	Electric Expand Valve Fitting	4304413215	1
30	Strainer	07415210	1
31	Strainer	0741410000601	1
32	Electronic Expansion Valve	07334466	1
33	Evaporator Assy	011001000296 01024100171	1
34	Air Outlet Frame Assy	01374100070	1
35	Top Cover Board Assy	01264100081	1

Above data is subject to change without notice, pls refer the SP in global service website.

Exploded View of GMV-ND56PHS/B-T, GMV-ND63PHS/B-T, GMV-ND71PHS/B-T, GMV-ND80PHS/B-T:

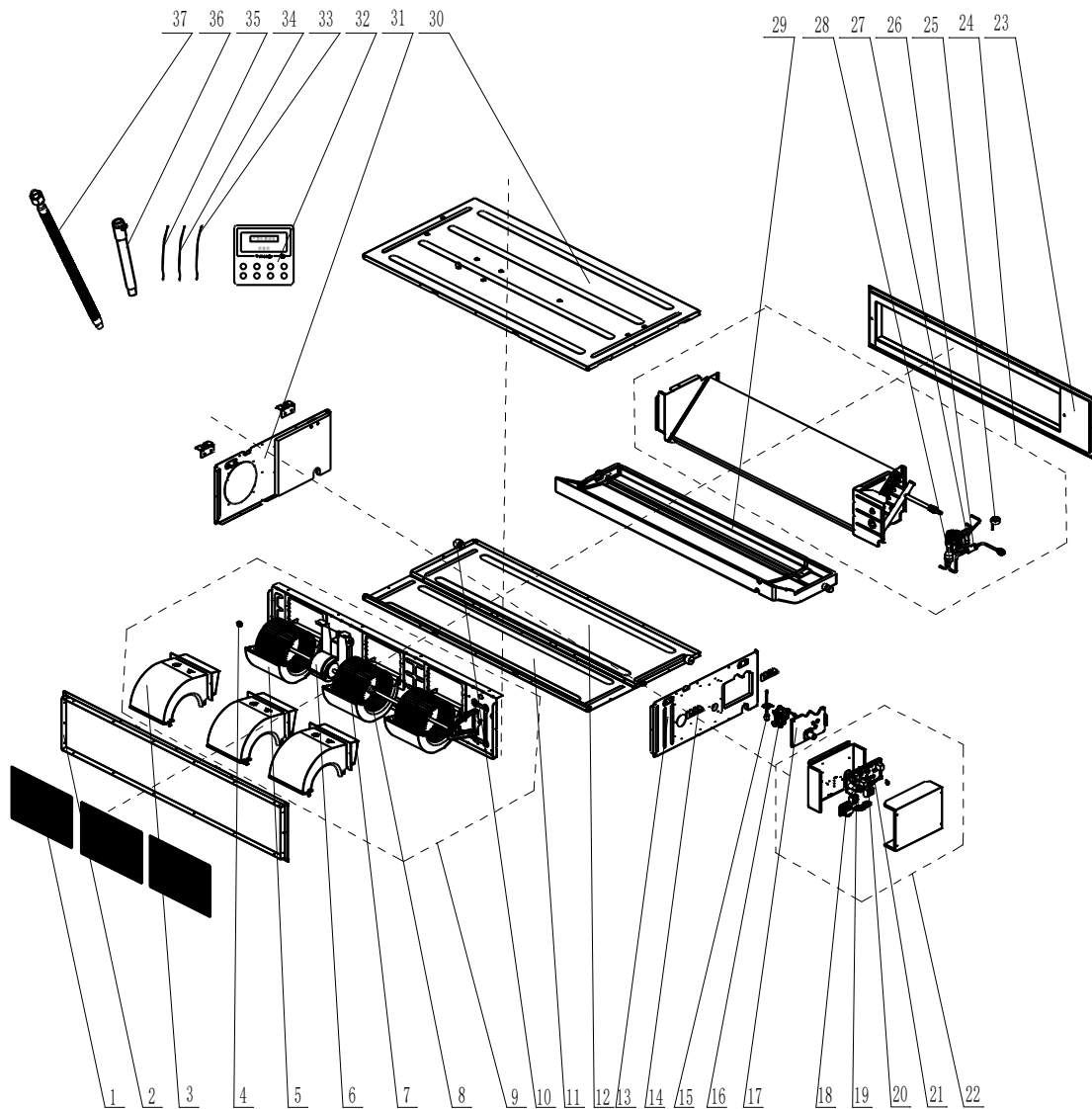


No.	Name of part	For the following unit	
		Unit	Product Code
		GMV-ND56PHS/B-T	CM810N0380
		GMV-ND63PHS/B-T	CM810N0390
		GMV-ND71PHS/B-T	CM810N0400
		GMV-ND80PHS/B-T	CM810N0410
		Part code	Quantity
1	Filter Sub-Assy	111001000045	2
2	Return Air Frame Sub-Assy	017026000002	1
3	Propeller Housing(Upper)	26905200078	2
4	Propeller Housing(Lower)	26905200079	2
5	Centrifugal Fan	10455200003	2
6	Brushless DC Motor	15705200016	1
7	Cover Of Air-In	01265200132	1
8	Bottom Cover Plate	01265200131	1
9	Hook	02112466	4
10	Foam Sub-assy	12505200025	1
11	Left Side Plate Assy	01315200147	1
12	Water Pump	43138000058	1
13	Seal plate Assy	01495200079	1
14	Inductance	43128000014	1
15	Terminal Board	4201115402	1
16	Terminal Board	4201800002601	1
17	Main Board	30226000089	1

No.	Name of part	For the following unit	
		Unit	Product Code
		GMV-ND56PHS/B-T	CM810N0380
		GMV-ND63PHS/B-T	CM810N0390
		GMV-ND71PHS/B-T	CM810N0400
		GMV-ND80PHS/B-T	CM810N0410
		Part code	Quantity
18	Electric Box Assy	100002000985	1
19	Water Level Switch	45020216	1
20	Temperature Sensor	3900005910	1
21	Temperature Sensor	390000592	1
22	Temperature Sensor	390000454	1
23	Air Outlet Frame Assy	01375200026	1
24	Electronic Expansion Valve	07334466	1
25	Strainer	0741410000601	1
26	Strainer	07415210	1
27	Electric Expand Valve Fitting	4304413215	1
28	Evaporator Assy	01024100173	1
29	Top Cover Board Assy	01265200130	1
30	Choke Plug of Drain Pipe	76815214	2
31	Display Board	30296000040	1
32	Corrugated Pipe	05015408	1
33	Drain Hose Sub-Assy	05232050	1

Above data is subject to change without notice, pls refer the SP in global service website.

Exploded View of GMV-ND90PHS/B-T, GMV-ND100PHS/B-T, GMV-ND112PHS/B-T, GMV-ND125PHS/B-T:

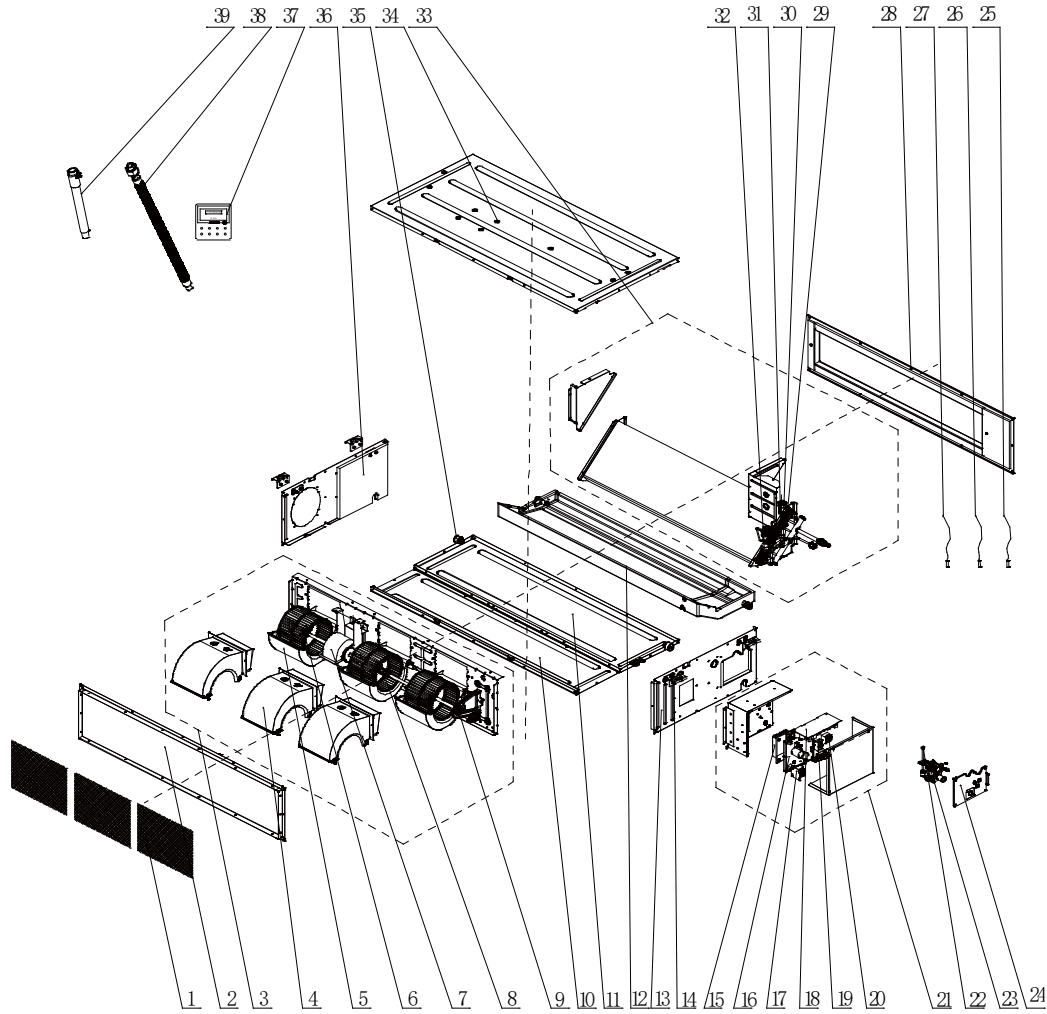


No.	Name of part	For the following unit	
		Unit	Product Code
		GMV-ND90PHS/B-T	CM810N0420
		GMV-ND100PHS/B-T	CM810N0430
		GMV-ND112PHS/B-T	CM810N0440
		GMV-ND125PHS/B-T	CM810N0450
		Part code	Quantity
1	Filter Sub-Assy	111001000052	3
2	Return Air Frame Sub-Assy	017026000003	1
3	Propeller Housing(Upper)	269052000078	3
4	Fan Bearing	76512210	1
5	Propeller Housing(Lower)	269052000079	3
6	Brushless DC Motor	1570940000601	1
7	Centrifugal Fan	104552000003	3
8	Joint Slack	73018731	1
9	Centrifugal Fan Assy	000052000028	1
10	Choke Plug Of Drain Pipe	76815214	2

No.	Name of part	For the following unit	
		Unit	Product Code
		GMV-ND90PHS/B-T	CM810N0420
		GMV-ND100PHS/B-T	CM810N0430
		GMV-ND112PHS/B-T	CM810N0440
		GMV-ND125PHS/B-T	CM810N0450
		Part code	Quantity
11	Cover Plate(Air Return)	01265200123	1
12	Bottom Cover Plate	01265200125	1
13	Left Side Plate Assy	01315200147	1
14	Hook	02112466	4
15	Water Level Switch	45020216	1
16	Water Pump	43138000058	1
17	Seal Plate	01495200078	1
18	Reactor	43138000047	1
19	Terminal board	4201115402	1
20	Terminal Board	4201800002601	1
21	Main Board	300002000009	1
22	Electric Box Assy	100002000984	1
23	Air Outlet Frame Assy	01375200023	1
24	Evaporator Assy	011001000070	1
25	Electric Expand Valve Fitting	4304413215	1
26	Strainer	0741410000601	1
27	Electronic Expansion Valve	07334468	1
28	Strainer	07415210	1
29	Foam Sub-Assy	12505200021	1
30	Top Cover Board Assy	01264100105	1
31	Right Side Plate Assy	01315200148	1
32	Display Board	30296000040	1
33	Temperature Sensor	3900005910	1
34	Temperature Sensor	390000592	1
35	Temperature Sensor	390000454	1
36	Drain Hose Sub-Assy	05232050	1
37	Corrugated Pipe	05015408	1

Above data is subject to change without notice, pls refer the SP in global service website.

Exploded View of GMV-ND140PHS/B-T, GMV-ND160PHS/B-T

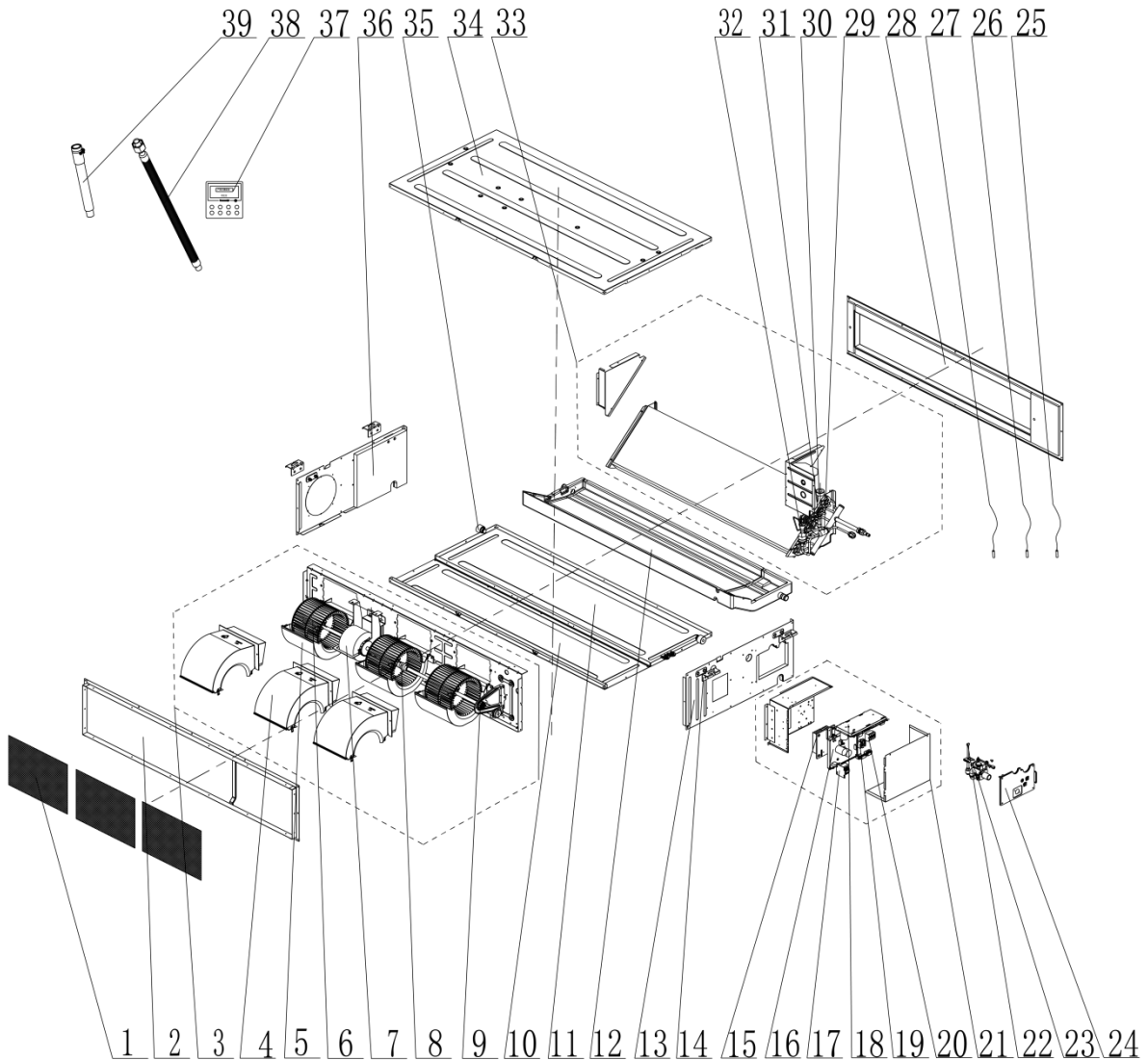


No.	Name of part	For the following unit	
		Unit	Product Code
		GMV-ND140PHS/B-T	CM810N0460
		GMV-ND160PHS/B-T	CM810N0840
		Part code	Quantity
1	Filter Sub-Assy	111001000052	3
2	Return Air Frame Sub-Assy	017026000003	1
3	Centrifugal Fan Assy	000052000029	1
4	Propeller Housing(Upper)	269052000078	3
5	Propeller Housing(Lower)	269052000079	3
6	Centrifugal Fan	104552000003	3
7	Brushless DC Motor	1570940000801	1
8	Joint Slack	73018731	1
9	Fan Bearing	7651221001	1
10	Cover Plate(Air return)	01265200123	1
11	Bottom Cover Plate	01265200125	1
12	Foam Sub-Assy(Water Tray)	125052000021	1
13	Left Side Plate Assy	01314100118	1
14	Hook	02112466	4
15	Radiator	49018000068	1
16	Main Board	30221000033	1
17	Reactor	43138000047	1

No.	Name of part	For the following unit	
		Unit	Product Code
		GMV-ND140PHS/B-T	CM810N0460
		GMV-ND160PHS/B-T	CM810N0840
		Part code	Quantity
18	Main Board	30226000092	1
19	Terminal board	42000100000101	1
20	Terminal Board	4201800002601	1
21	Electric Box Assy	100002001967	1
22	Water Level Switch	45020216	1
23	Water Pump	43138000058	1
24	Seal Plate	01495200078	1
25	Temperature Sensor	3900005910	1
26	Temperature Sensor	390000592	1
27	Temperature Sensor	390000454	1
28	Air Outlet Frame Assy	01375200023	1
29	Strainer	0741410000601	1
30	Electric Expand Valve Fitting	4304413215	1
31	Electronic Expansion Valve	07334468	1
32	Strainer	07415210	1
33	Evaporator Assy	011001000070 011001000238	1
34	Top Cover Board Assy	01264100105	1
35	Choke Plug Of Drain Pipe	76815214	2
36	Right Side Plate Assy	01315200148	1
37	Display Board	30296000040	1
38	Corrugated Pipe	05015408(140) 035030000005(160)	1
39	Drain Hose Sub-Assy	05232050	1

Above data is subject to change without notice, pls reference the SP in global service website.

Exploded View of GMV-ND180PHS/B-T

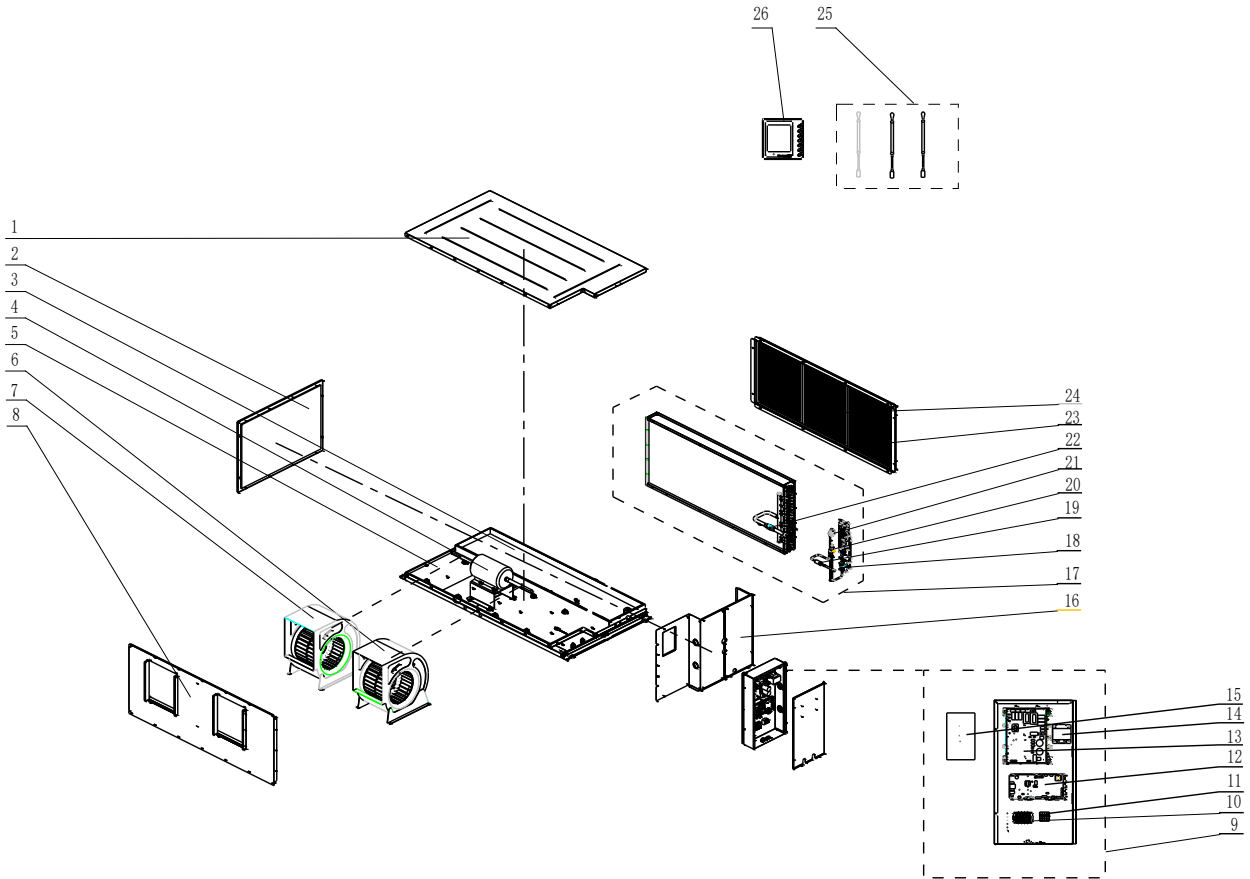


No.	Name of part	For the following unit	
		Unit	Product Code
		GMV-ND180PHS/B-T	CM810N2240
		Part code	Quantity
1	Filter Sub-Assy	111001000052	3
2	Return Air Frame Sub-Assy	017026000003	1
3	Centrifugal fan assy	000052000029	1
4	Propeller Housing(Upper)	26905200078	3
5	Propeller Housing(Lower)	26905200079	3
6	Centrifugal Fan	10455200003	3
7	Brushless DC Motor	1570940000801	1
8	Joint Slack	73018731	1
9	Fan Bearing	7651221001	1
10	Cover Plate(Air return)	01265200123	1
11	Bottom Cover Plate	01265200125	1
12	Foam Sub-assy	12505200021	1
13	Left Side Plate Assy	01314100118	1
14	Hook	02112466	4
15	Radiator	49018000068	1

No.	Name of part	For the following unit	
		Unit	Product Code
		GMV-ND180PHS/B-T	CM810N2240
		Part code	Quantity
16	Main Board	30221000033	1
17	Reactor	43138000047	1
18	Main Board	300002061641	1
19	Terminal Board	42000100000101	1
20	Terminal Board	42200006000401	1
21	Electric Box Assy	100002070712	1
22	Water Level Switch	4502021603	1
23	Water Pump	43138000058	1
24	Seal plate	01495200078	1
25	Temperature Sensor	3900005910	1
26	Temperature Sensor	390000592	1
27	Temperature Sensor	390000454	1
28	Air Outlet Frame Assy	01375200023	1
29	Strainer	0741410000601	1
30	Electric Expand Valve Fitting	4304413253	1
31	Electronic Expansion Valve	07334468	1
32	Strainer	07415210	1
33	Evaporator Assy	011001000237	1
34	Top Cover Board Assy	01264100105	1
35	Choke Plug of Drain Pipe	76815214	2
36	Right Side Plate Assy	01315200148	1
37	Display Board	30296000040	1
38	Corrugated Pipe	035030000005	1
39	Drain Hose Sub-Assy	05232050	1

Above data is subject to change without notice, pls reference the SP in global service website.

Exploded View of GMV-ND400PH/AR-X

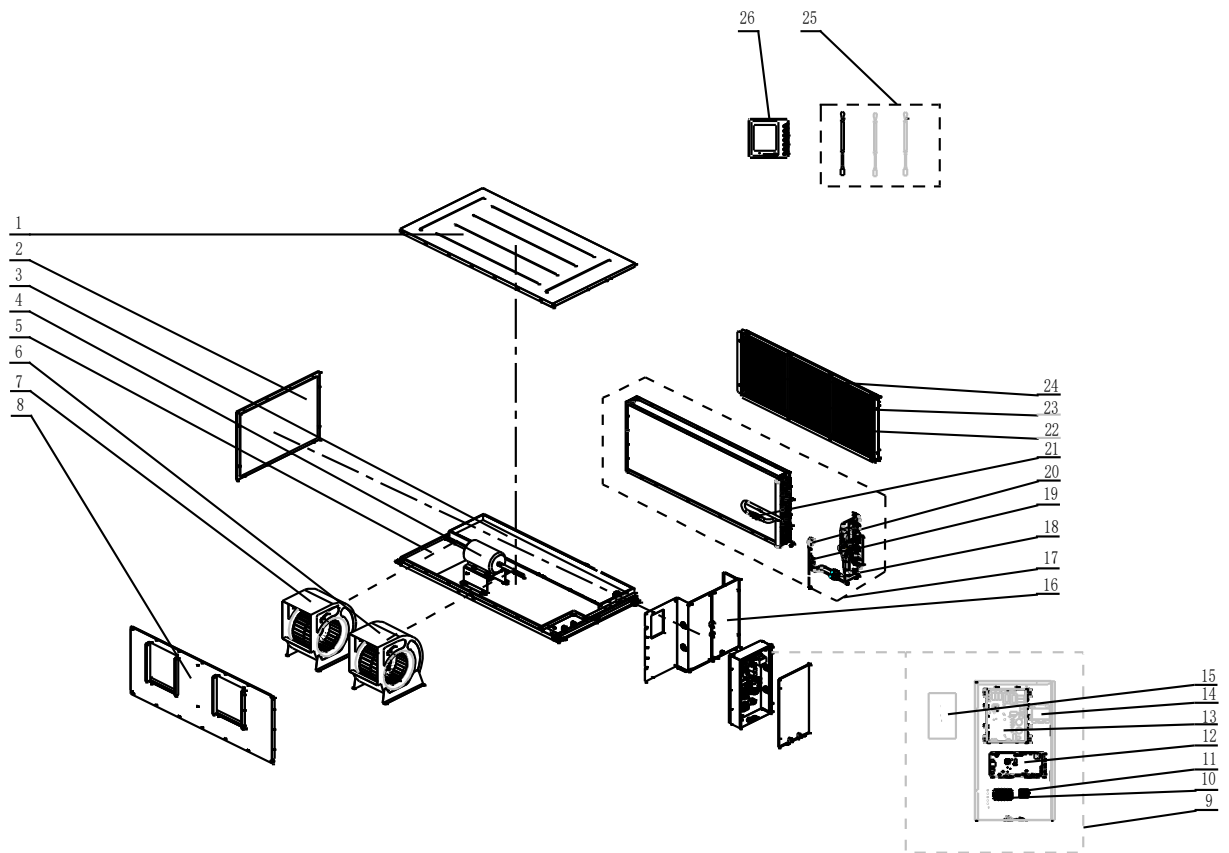


No.	Name of part	For the following unit	
		Unit	Product Code
		GMV-ND400PH/AR-X	CM810N1510
		Part code	Quantity
1	Top Cover Board Sub-assy	017011000039	1
2	Left Side Plate Assy	000080000020	1
3	Water Collecting Tray Assy	0070700000201	1
4	Brushless DC Motor	150104000015	1
5	Hange Frame Assy	000249000001	1
6	Motor for Centrifugal Fan	103004000048	1
7	Motor for Centrifugal Fan	10300400004801	1
8	Air Outlet Panel Sub-assy	000040000029	1
9	Electric Box Assy	100002004015	1
10	Terminal Board	42000100000401	1
11	Terminal Board	4201800002601	1
12	Main Board	30226000092	1
13	Main Board	300002000380	1
14	Reactor	43130189	1
15	Radiator	49018000013	1
16	Right Side Plate Assy	000081000031	1
17	Evaporator Assy	011001000625	1
18	Strainer	07415210	1
19	Bidirection Strainer	07220016	1
20	Electronic Expansion Valve	43044100190	1

No.	Name of part	For the following unit	
		Unit	Product Code
		GMV-ND400PH/AR-X	CM810N1510
		Part code	Quantity
21	Electric Expand Valve Fitting	4304413271	1
22	Filter	07219056	1
23	Filter Sub-assy 1	11129078	2
24	Filter Sub-assy 2	11129079	1
25	Sens or Sub-assy	39008000103G	1
26	Display Board	30296000040	1

Above data is subject to change without notice,pls reference the SP in global service website.

Exploded View of GMV-ND450PH/AR-X:

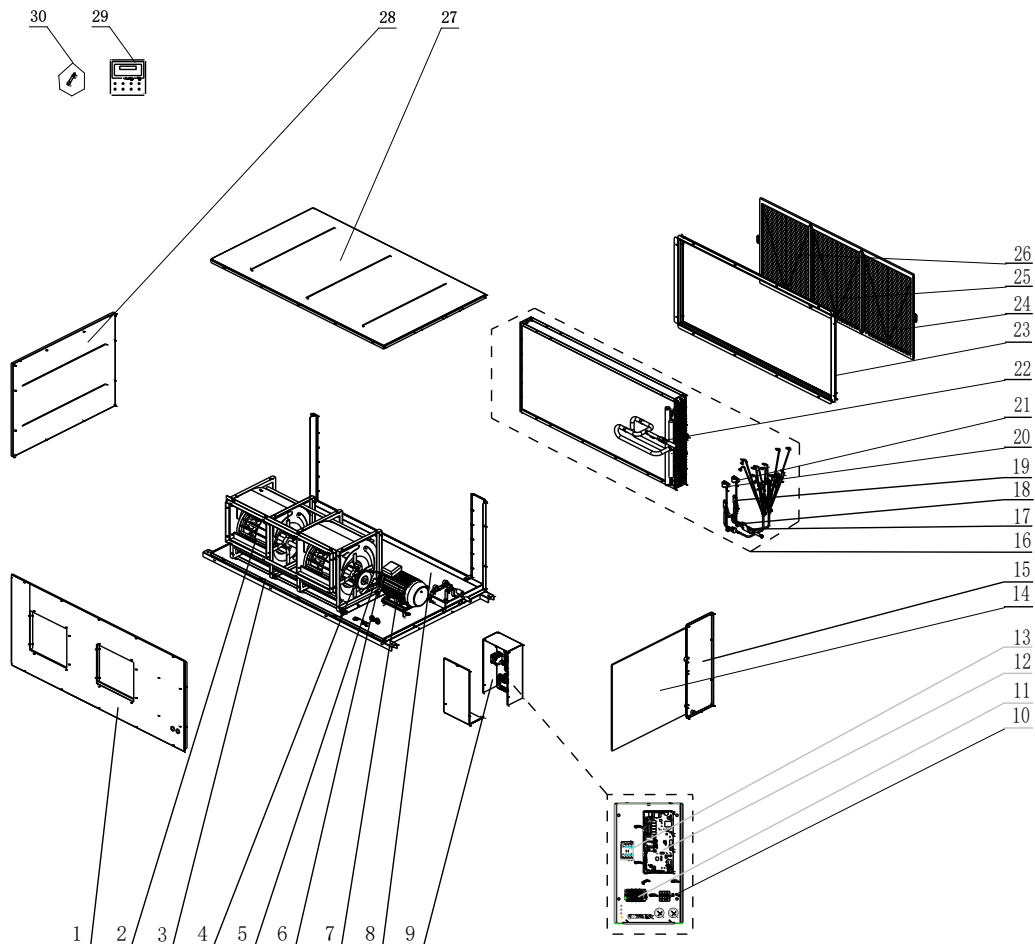


No.	Name of part	For the following unit	
		Unit	Product Code
		GMV-ND450PH/AR-X	CM810N1520
		Part code	Quantity
1	Top Cover Sub-Assy	01265321	1
2	Side panel sub-assy 1	01545305	1
3	Water Collecting Tray Assy	007070000003	1
4	Brushless DC Motor	150104000015	1
5	Base Frame Assy	000043000101	1
6	Motor for Centrifugal Fan	103004000098	1
7	Motor for Centrifugal Fan	10300400009801	1
8	Air Outlet Panel Sub-assy	017097000007P	1
9	Electric Box Assy	100002004015	1

No.	Name of part	For the following unit	
		Unit	Product Code
		GMV-ND450PH/AR-X	CM810N1520
		Part code	Quantity
10	Terminal Board	42000100000401	1
11	Terminal Board	4201800002601	1
12	Main Board	30226000092	1
13	Main Board	300002000380	1
14	Reactor	43130189	1
15	Radiator	49018000013	1
16	Side Plate	017110000069	1
17	Evaporator Assy	011001060033	1
18	Strainer	07415210	1
19	Electronic Expansion Valve	4304413252	1
20	Electric Expand Valve Fitting	43044100190	1
21	Filter	07219056	1
22	Filter Sub-assy 1	11128903	1
23	Filter Sub-assy 2	11128904	2
24	Filter Sub-assy 3	11128905	1
25	Sensor Sub-assy	39008000103G	1
26	Display Board	30296000040	1

Above data is subject to change without notice,pls reference the SP in global service website.

Exploded View of GMV-N560PH/AR-M:

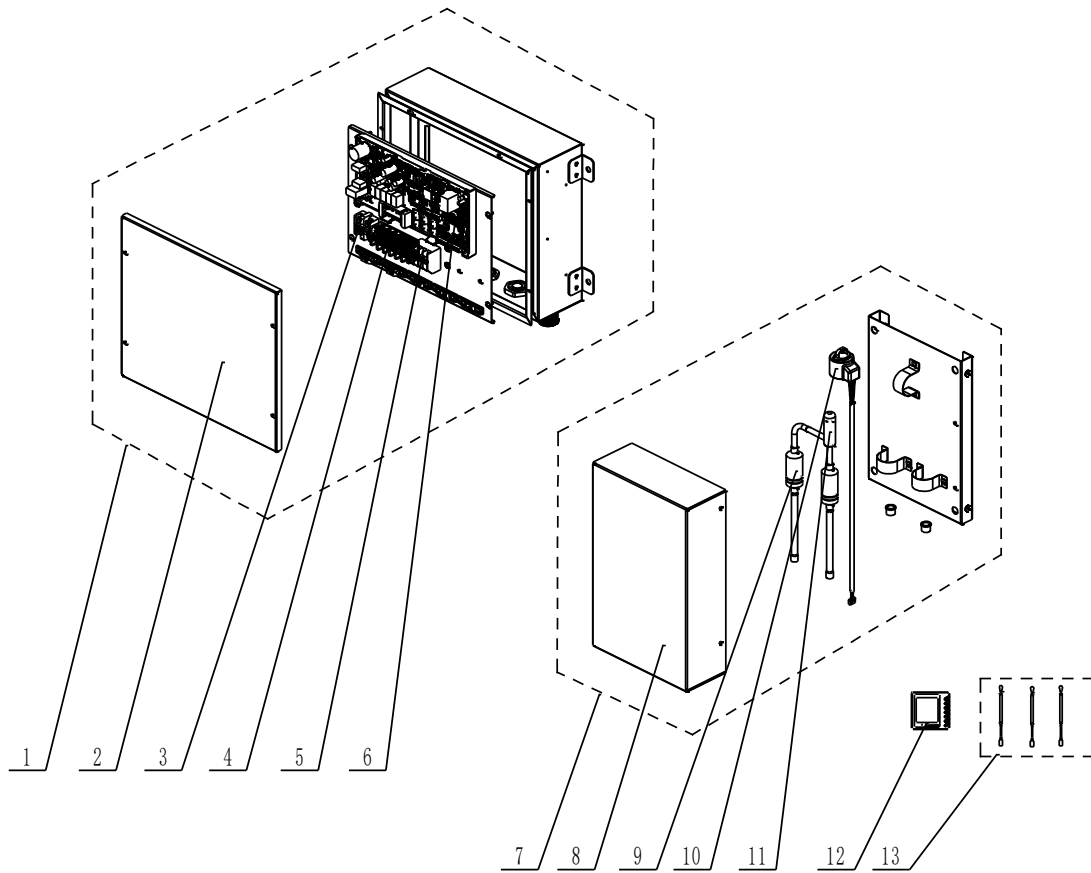


No.	Name of part	For the following unit	
		Unit	Product Code
		GMV-N560PH/AR-M	CM810N1610
		Part code	Quantity
1	Air Outlet Panel Assy	01545317	1
2	Blower	15019241	1
3	Base Frame Assy	000043060052	1
4	Belt Wheel	10548156	1
5	Belt	76318356	2
6	Belt Wheel	10548150	1
7	Fan Motor	150101000061	1
8	Water Collecting Tray Assy	007070060001	1
9	Electric Box Assy	100002060437	1
10	Terminal Board	4201800002601	1
11	Terminal Board	42010052	1
12	Main Board	30226232	1
13	A C Contactor	44010287	1
14	Front Panel Sub-assy	209004060007	1
15	Front Panel Sub-assy	209004060006	1
16	Evaporator Assy	011001060073	1
17	Gas Tube Filter	072190511	1
18	Strainer	07415210	2
19	Electronic Expansion Valve	43044100173	1
20	Electric Expand Valve Fitting	4304413219	1
21	Electric Expand Valve Fitting	4304413220	1
22	Filter	07219056	1
23	Return Air Frame Sub-Assy	01375212P	2
24	Filter Sub-assy 1	11129080	1
25	Filter Sub-assy 2	11129081	1
26	Filter Sub-assy 3	11129082	1
27	Top Cover Sub-assy	01265321	1
28	Side Panel Sub-assy 1	01545311	1
29	Display Board	30296000040	1
30	Sensor Sub-assy	390002060003	1

Above data is subject to change without notice,pls reference the SP in global service website.

5.15 AHU-KIT Type

Exploded View of GMV-N36U/A-T, GMV-N71U/A-T, GMV-N140U/A-T, GMV-N280U/A-T:



GMV-N36U/A-T:

No.	Model	GMV-N36U/A-T	Qty.
	Product Code	CN750N0040	
	Part Name	Part Code	
1	Electric Box Assy	01394100511	1
2	Electric Box Cover	01424100135P	1
3	Terminal Board	42000100000101	1
4	Terminal Board	422000000025	1
5	Terminal Board	4201800002601	1
6	Main Board	30226000081	1
7	Electronic Expansion Valve Assy	030174000026	1
8	Cover Plate	01264100061P	1
9	Strainer	0741410000601	2
10	Electric Expand Valve Fitting	4304413239	1
11	Electronic Expansion Valve	07334463	1
12	Display Board	30296000040	1
13	Sensor Sub-assy	39008000130G	1

GMV-N71U/A-T:

No.	Model	GMV-N71U/A-T	Qty.
	Product Code	CN750N0050	
	Part Name	Part Code	
1	Electric Box Assy	01394100511	1
2	Electric Box Cover	01424100135P	1

No.	Model	GMV-N71U/A-T	Qty.
	Product Code	CN750N0050	
	Part Name	Part Code	
3	Terminal Board	42000100000101	1
4	Terminal Board	422000000025	1
5	Terminal Board	4201800002601	1
6	Main Board	30226000081	1
7	Electronic Expansion Valve Assy	030026000085	1
8	Cover Plate	01264100061P	1
9	Strainer	0741410000601	2
10	Electric Expand Valve Fitting	4304413239	1
11	Electronic Expansion Valve	07334466	1
12	Display Board	30296000040	1
13	Sensor Sub-assy	39008000130G	1

GMV-N140U/A-T:

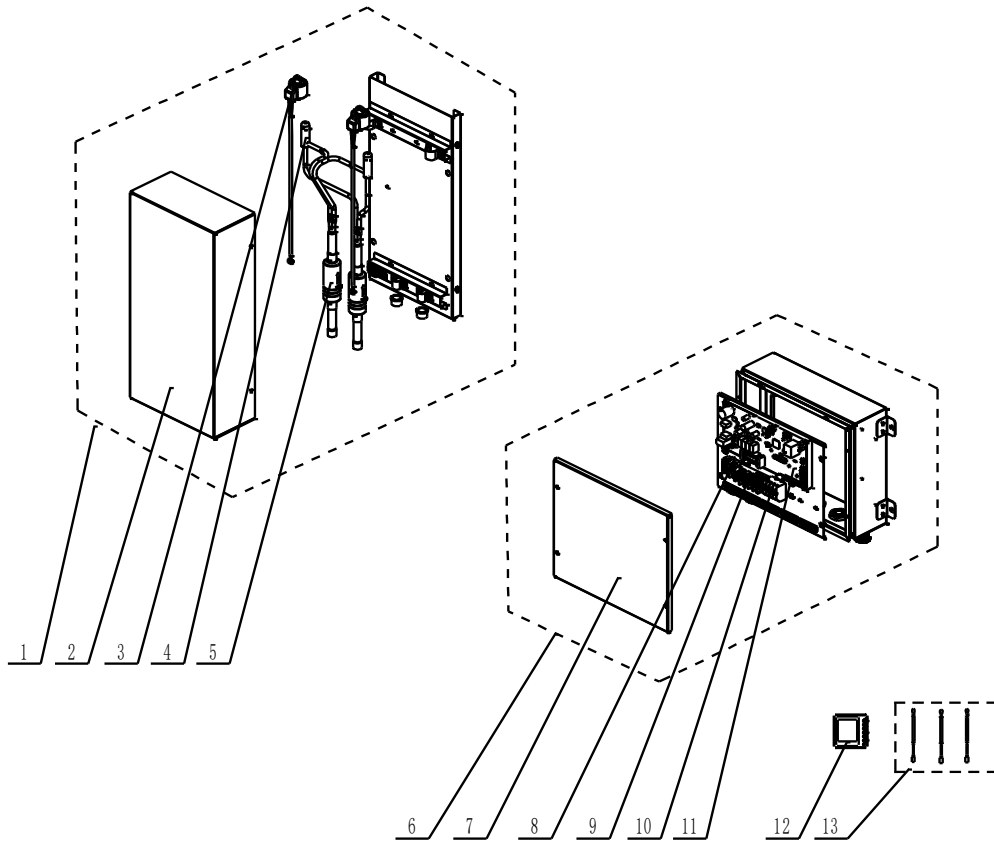
No.	Model	GMV-N140U/A-T	Qty.
	Product Code	CN750N0030	
	Part Name	Part Code	
1	Electric Box Assy	01394100511	1
2	Electric Box Cover	01424100135P	1
3	Terminal Board	42000100000101	1
4	Terminal Board	422000000025	1
5	Terminal Board	4201800002601	1
6	Main Board	30226000081	1
7	Electronic Expansion Valve Assy	43044100225	1
8	Cover Plate	01264100061P	1
9	Strainer	0741410000601	2
10	Electric Expand Valve Fitting	4304413239	1
11	Electronic Expansion Valve	07334412	1
12	Display Board	30296000040	1
13	Sensor Sub-assy	39008000130G	1

GMV-N280U/A-T:

No.	Model	GMV-N280U/A-T	Qty.
	Product Code	CN750N0020	
	Part Name	Part Code	
1	Electric Box Assy	01394100511	1
2	Electric Box Cover	01424100135P	1
3	Terminal Board	42000100000101	1
4	Terminal Board	422000000025	1
5	Terminal Board	4201800002601	1
6	Main Board	30226000081	1
7	Electronic Expansion Valve Assy	43044100214	1
8	Cover Plate	01264100061P	1
9	Strainer	0741410000601	2
10	Electric Expand Valve Fitting	4304413239	1
11	Electronic Expansion Valve	07331139	1
12	Display Board	30296000040	1
13	Sensor Sub-assy	39008000130G	1

Above data is subject to change without notice, pls refer the SP in global service website.

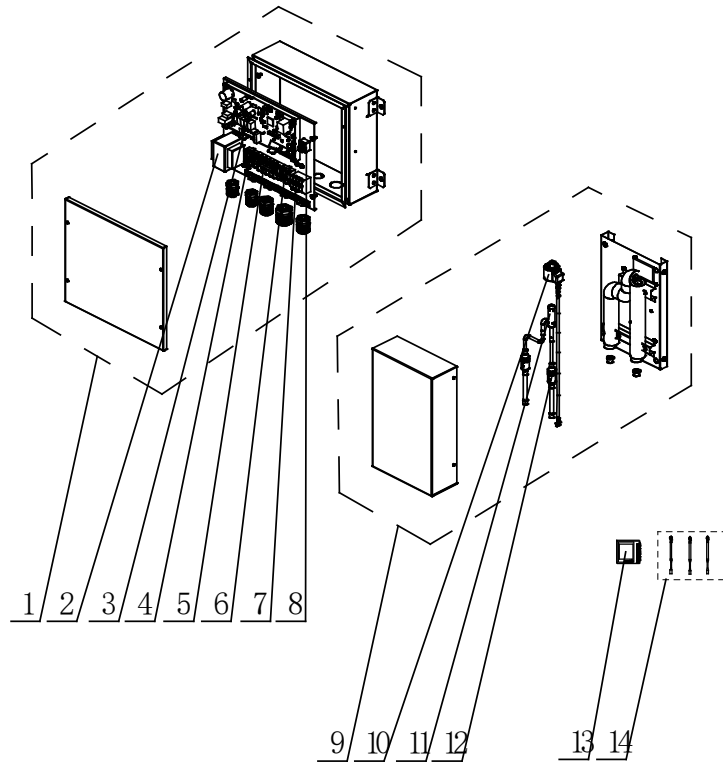
Exploded View of GMV-N560U/A-T



No.	Model	GMV-N5600U/A-T	Qty.
	Product Code	CN750N0010	
	Part Name	Part Code	
1	Electronic Expansion Valve Assy	43044100220	1
2	Cover Plate	01264100063P	1
3	Electric Expand Valve Fitting	4304413239	2
4	Electronic Expansion Valve	07331139	2
5	Bidirection Strainer	0721004401	2
6	Electric Box Assy	01394100511	1
7	Electric Box Cover	01424100135P	1
8	Terminal Board	42000100000101	1
9	Terminal Board	4220000000025	1
10	Terminal Board	4201800002601	1
11	Main Board	30226000081	1
12	Display Board	30296000040	1
13	Sensor Sub-Assy	39008000130G	1

Above data is subject to change without notice, pls refer the SP in global service website.

Exploded View of GMV-N36U/B-T, GMV-N71U/B-T, GMV-N140U/B-T, GMV-N280U/B-T:



GMV-N36U/B-T:

No.	Model	GMV-N36U/B-T	Qty.
	Product Code	CN750N0110	
	Part Name	Part Code	
1	Electric Box Assy	100002060732	1
2	Transformer	43110286	1
3	Main Board	30226000081	1
4	Terminal Board	42000100000101	1
5	Terminal Board	422000000025	1
6	Terminal Board	420001000001	1
7	Terminal Board	4201800002601	1
8	Terminal Board	42011147	1
9	Electronic Expansion Valve assy	030174060015	1
10	Electric Expand Valve Fitting	4304000112	1
11	Electronic Expansion Valve	072009000006	1
12	Strainer	07415200002	2
13	Display Board	30296000040	1
14	Sensor Sub-assy	390002060021	1

GMV-N71U/B-T:

No.	Model	GMV-N71U/B-T	Qty.
	Product Code	CN750N0150	
	Part Name	Part Code	
1	Electric Box Assy	100002060732	1
2	Transformer	43110286	1
3	Main Board	30226000081	1
4	Terminal Board	42000100000101	1
5	Terminal Board	422000000025	1
6	Terminal Board	420001000001	1

No.	Model	GMV-N71U/B-T	Qty.
	Product Code	CN750N0150	
	Part Name	Part Code	
7	Terminal Board	4201800002601	1
8	Terminal Board	42011147	1
9	Electronic Expansion Valve assy	030174060014	1
10	Electric Expand Valve Fitting	4304413239	1
11	Electronic Expansion Valve	072009000001	1
12	Strainer	0741520000201	2
13	Display Board	30296000040	1
14	Sensor Sub-assy	390002060021	1

GMV-N140U/B-T:

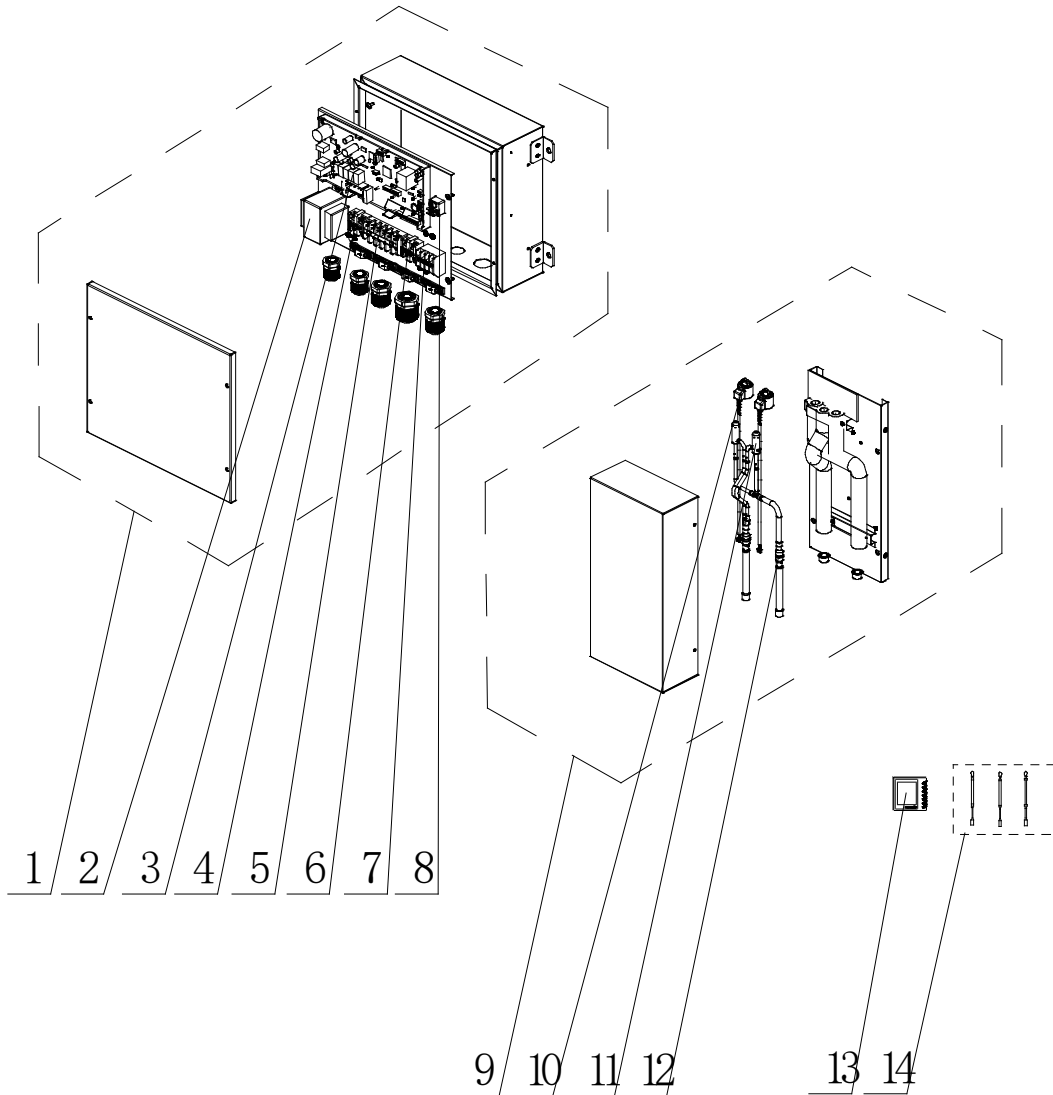
No.	Model	GMV-N140U/B-T	Qty.
	Product Code	CN750N0140	
	Part Name	Part Code	
1	Electric Box Assy	100002060732	1
2	Transformer	43110286	1
3	Main Board	30226000081	1
4	Terminal Board	42000100000101	1
5	Terminal Board	422000000025	1
6	Terminal Board	420001000001	1
7	Terminal Board	4201800002601	1
8	Terminal Board	42011147	1
9	Electronic Expansion Valve assy	030174060012	1
10	Electric Expand Valve Fitting	4304413239	1
11	Electronic Expansion Valve	43044100172	1
12	Strainer	0741520000201	2
13	Display Board	30296000040	1
14	Sensor Sub-assy	390002060021	1

GMV-N280U/B-T:

No.	Model	GMV-N280U/B-T	Qty.
	Product Code	CN750N0120	
	Part Name	Part Code	
1	Electric Box Assy	100002060732	1
2	Transformer	43110286	1
3	Main Board	30226000081	1
4	Terminal Board	42000100000101	1
5	Terminal Board	422000000025	1
6	Terminal Board	420001000001	1
7	Terminal Board	4201800002601	1
8	Terminal Board	42011147	1
9	Electronic Expansion Valve assy	030174060013	1
10	Electric Expand Valve Fitting	4304413239	1
11	Electronic Expansion Valve	43044100190	1
12	Strainer	0741520000201	2
13	Display Board	30296000040	1
14	Sensor Sub-assy	390002060021	1

Above data is subject to change without notice, pls refer the SP in global service website.

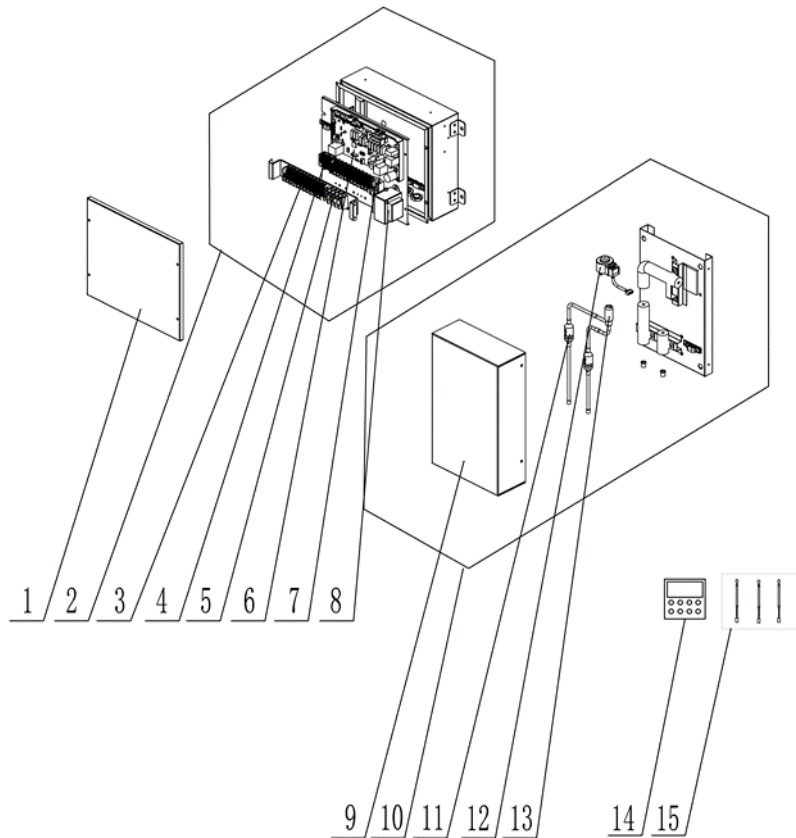
Exploded View of GMV-N560U/B-T:



No.	Model	GMV-N560U/B-T	Qty.
	Product Code	CN750N0130	
	Part Name	Part Code	
1	Electric Box Assy	100002060732	1
2	Transformer	43110286	1
3	Main Board	30226000081	1
4	Terminal Board	42000100000101	1
5	Terminal Board	422000000025	1
6	Terminal Board	420001000001	1
7	Terminal Board	4201800002601	1
8	Terminal Board	42011147	1
9	Electronic Expansion Valve assy	030174060011	1
10	Electric Expand Valve Fitting	4304413239	2
11	Electronic Expansion Valve	43044100190	2
12	Strainer	0721212101	2
13	Display Board	30296000040	1
14	Sensor Sub-assy	390002060021	1

Above data is subject to change without notice, pls refer the SP in global service website.

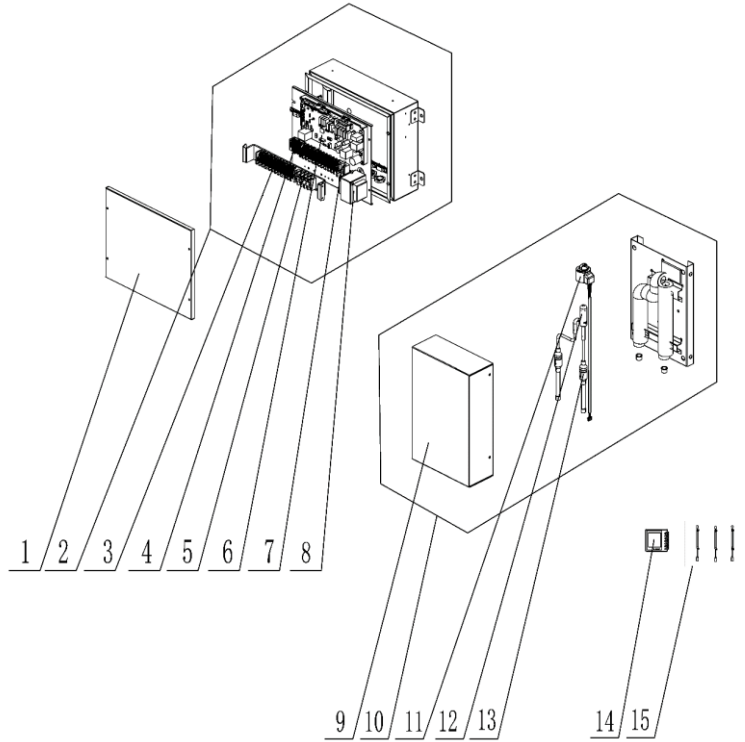
Exploded View of GMV-N36U/C-T:



No.	Model	GMV-N36U/C-T	Qty.
	Product Code	CN750N0190	
	Part Name	Part Code	
1	Electrical Box Cover	01424100135P	1
2	Electric Box Assy	100002066409	1
3	Terminal Board	422000000009	2
4	Terminal Board	42200006000401	1
5	Terminal Board	42200006000901	1
6	Main Board	300002060941	1
7	Terminal Board	42000100000101	1
8	Transformer	450002060013	1
9	Cover Plate	01264100061P	1
10	Electronic Expansion Valve Assy	030174060015	1
11	Strainer	07415200002	2
12	Electric Expand Valve Fitting	4304000112	1
13	Electric Expansion Valve	072009000006	1
14	Display Board	30296000040	1
15	Sensor Sub-Assy	390002060021	1

Above data is subject to change without notice, pls refer the SP in global service website.

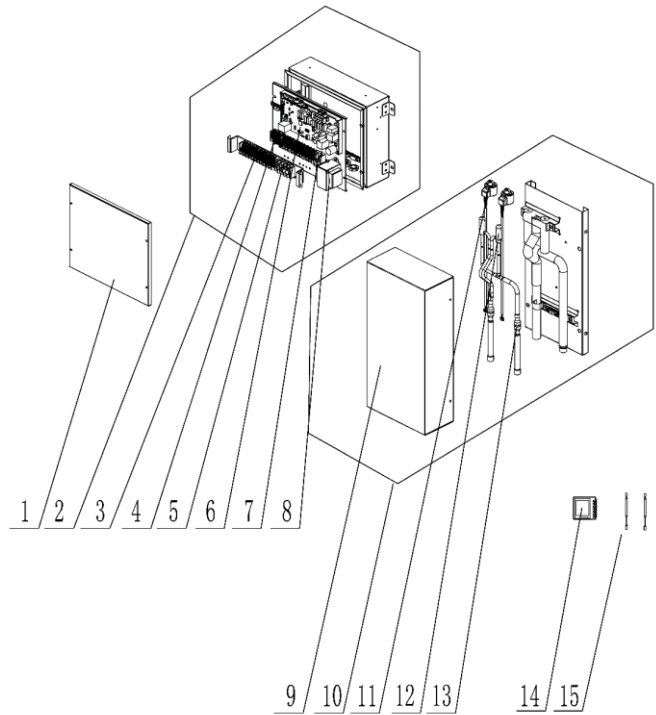
Exploded View of GMV-N71U/C-T, GMV-N140U/C-T, GMV-N280U/C-T:



No.	Name of part	For the following unit	
		Unit	Product Code
		GMV-N71U/C-T	CN750N0200
		GMV-N140U/C-T	CN750N0180
		GMV-N280U/C-T	CN750N0170
		Part code	Quantity
1	Electrical Box Cover	01424100135P	1
2	Electric Box Assy	100002066409	1
3	Terminal Board	422000000009	2
4	Terminal Board	42200006000401	1
5	Terminal Board	42200006000901	1
6	Main Board	300002060941	1
7	Terminal Board	42000100000101	1
8	Transformer	450002060013	1
9	Cover Plate	01264100061P	1
10	Electronic Expansion Valve Assy	030174060013(280) 030174060012(140) 030174060014(71)	1
11	Electric Expand Valve Fitting	4304413239	1
12	Electronic Expansion Valve	43044100190(280) 43044100172(140) 072009000001(71)	1
13	Strainer	0741520000201	2
14	Display Board	30296000040	1
15	Sensor Sub-Assy	390002060021	1

Above data is subject to change without notice, pls refer the SP in global service website.

Exploded View of GMV-N560U/C-T:

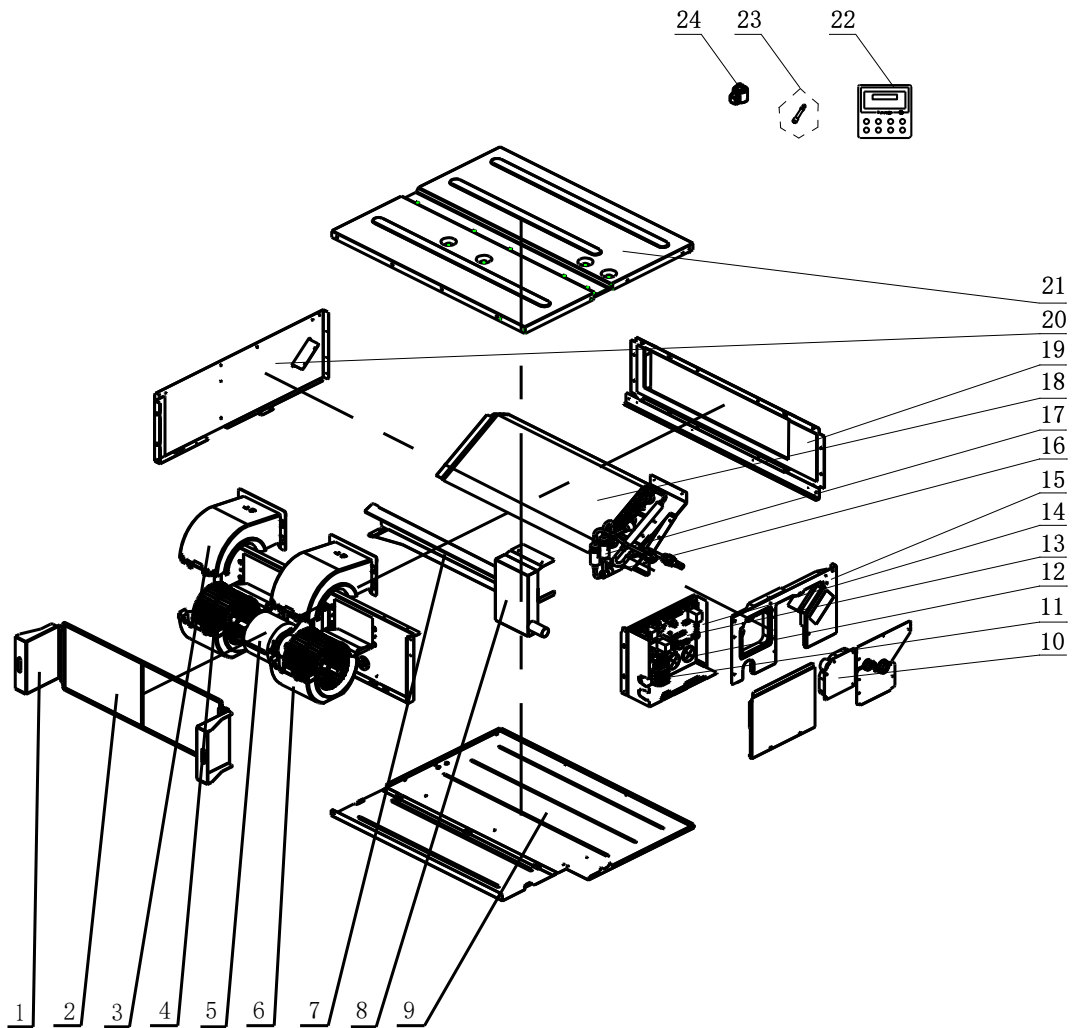


No.	Model	GMV-N560U/C-T	Qty.
	Product Code	CN750N0160	
	Part Name	Part Code	
1	Electrical Box Cover	01424100135P	1
2	Electric Box Assy	100002066409	1
3	Terminal Board	422000000009	2
4	Terminal Board	42200006000401	1
5	Terminal Board	42200006000901	1
6	Main Board	300002060941	1
7	Terminal Board	42000100000101	1
8	Transformer	450002060013	1
9	Cover Plate	01264100063P	1
10	Electronic Expansion Valve assy	030174060011	1
11	Electric Expand Valve Fitting	4304413239	2
12	Electronic Expansion Valve	43044100190	2
13	Strainer	0721212101	2
14	Display Board	30296000040	1
15	Sensor Sub-assy	390002060021	1

Above data is subject to change without notice, pls refer the SP in global service website.

5.16 Concealed Floor Standing Type

Exploded View of GMV-ND22ZA/A-T, GMV-ND28ZA/A-T, GMV-ND36ZA/A-T:

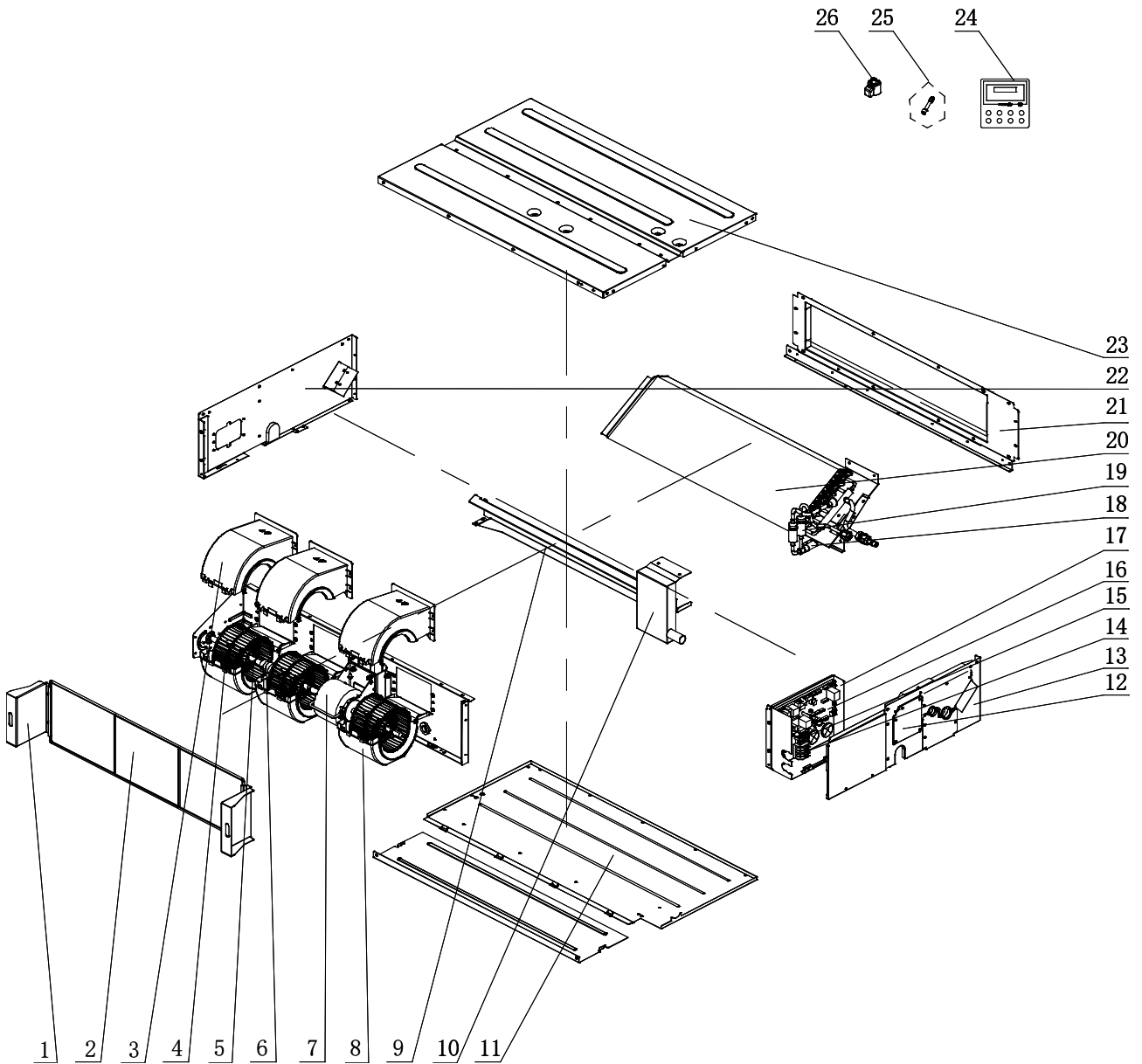


No.	Name of part	For the following unit	
		Unit	Product Code
		GMV-ND22ZA/A-T	CM810N1490
		GMV-ND28ZA/A-T	CM810N1480
		GMV-ND36ZA/A-T	CM810N1460
		Part code	Quantity
1	Supporter	012060002587	2
2	Filter Sub-Assy	111001000102	1
3	Front Volute Casing	26905205	2
4	Centrifugal Fan	10425200	2
5	Brushless DC Motor	15704100001	1
6	Rear Volute Casing	26905206	2
7	Water Tray Assy	000069060002	1
8	Water Tray Assy	000069000112	1
9	Bottom Cover Plate Assy	000133000016	1
10	Sealplate sub-assy (drainage)	01495318	1

No.	Name of part	For the following unit	
		Unit	Product Code
		GMV-ND22ZA/A-T	CM810N1490
		GMV-ND28ZA/A-T	CM810N1480
		GMV-ND36ZA/A-T	CM810N1460
		Part code	Quantity
11	Terminal Board	4201800002601	1
12	Terminal Board	42000100000101	1
13	Main Board	30226000029	1
14	Electric Box Assy	100002004224	1
15	Left Side Plate Assy	01315200087	1
16	Electronic Expansion Valve	07334463	1
17	Strainer	0741410000601	2
18	Evaporate Assy	011001000641	1
19	Air Outlet Frame Assy	000141000028	1
20	Right Side Plate Assy	000081000034	1
21	Top Cover Board Assy	000132000029	1
22	Display Board	30296000040	1
23	Sensor Sub-assy	39004168G	1
24	Electric Expand Valve Fitting	4304413215	1

Above data is subject to change without notice, pls reference the SP in global service website.

Exploded View of GMV-ND45ZA/A-T:

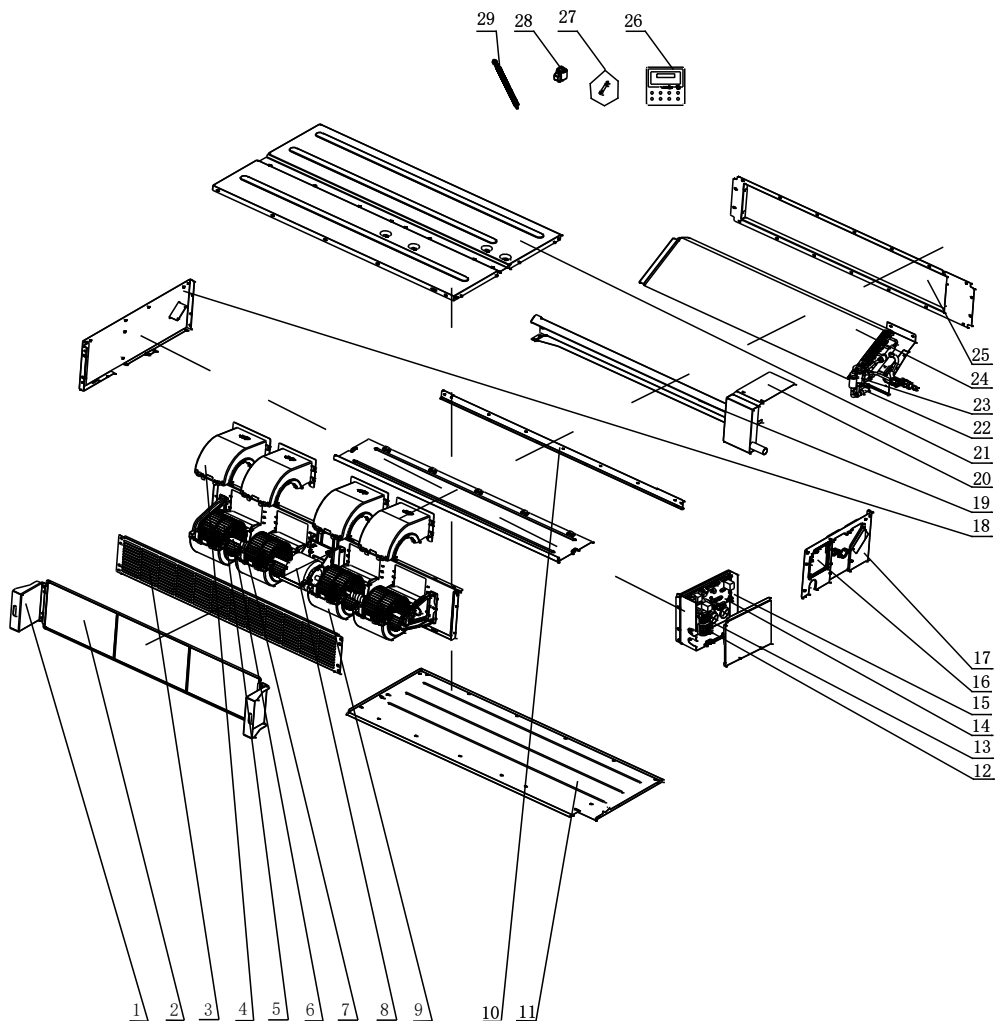


No.	Name of part	For the following unit	
		Unit	Product Code
		GMV-ND45ZA/A-T	CM810N1470
		Part code	Quantity
1	Supporter	012060002587	2
2	Filter Sub-Assy	111001000101	1
3	Front Volute Casing	26905205	3
4	Centrifugal Fan	10425200	3
5	Rotray Axis Sub-Assy	73018020	1
6	Joint Slack	73018731	1
7	Brushless DC Motor	15704100001	1
8	Rear Volute Casing	26905206	3
9	Water Tray Assy	000069060001	1
10	Water Tray Assy	000069000112	1
11	Bottom Cover Plate Assy	000133000015	1
12	Sealplate sub-assy (drainage)	01495318	1

No.	Name of part	For the following unit	
		Unit	Product Code
		GMV-ND45ZA/A-T	CM810N1470
		Part code	Quantity
13	Left Side Plate Assy	01315200087	1
14	Terminal Board	4201800002601	1
15	Terminal Board	42000100000101	1
16	Main Board	30226000029	1
17	Electric Box Assy	100002004224	1
18	Electronic Expansion Valve	07334466	1
19	Strainer	07213050	2
20	Evaporate Assy	011001060025	1
21	Air Outlet Frame Assy	000141000026	1
22	Right Side Plate Assy	000081000032	1
23	Top Cover Board Assy	000132000026	1
24	Display Board	30296000040	1
25	Sensor Sub-assy	39004168G	1
26	Electric Expand Valve Fitting	4304413215	1

Above data is subject to change without notice, pls reference the SP in global service website.

Exploded View of GMV-ND56ZA/A-T, GMV-ND63ZA/A-T,GMV-ND71ZA/A-T:

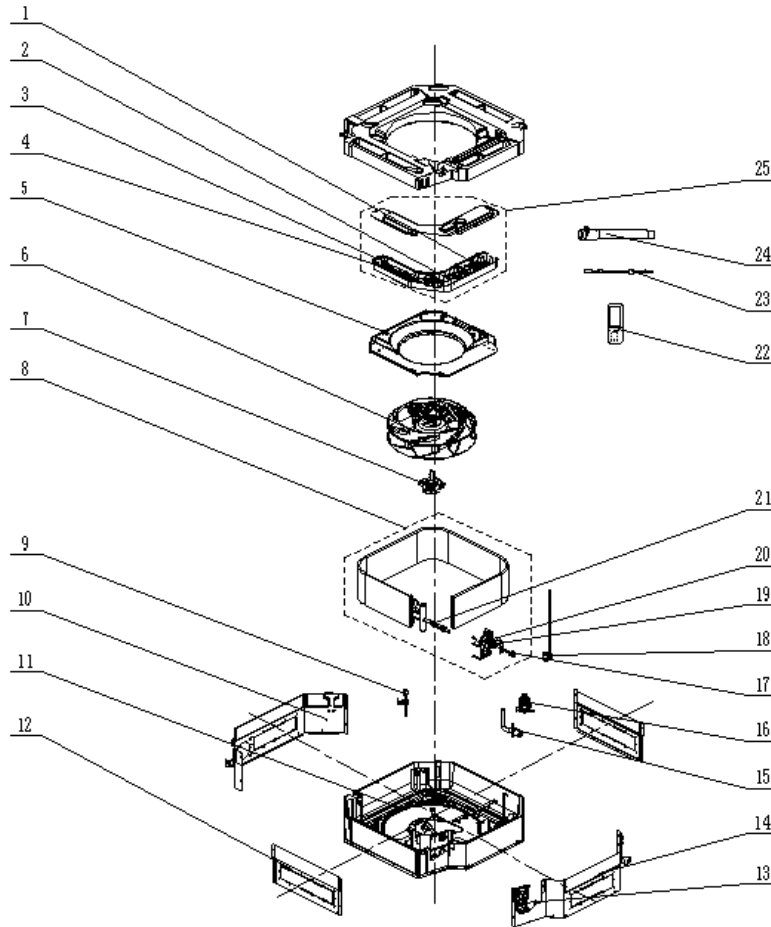


No.	Name of part	For the following unit	
		Unit	Product Code
		GMV-ND56ZA/A-T	CM810N1451
		GMV-ND63ZA/A-T	CM810N1440
		GMV-ND71ZA/A-T	CM810N1430
	Part code	Quantity	
1	Supporter	012060002587	2
2	Filter Sub-Assy	111001060010	1
3	Iron Grill	012051060107	1
4	Front Volute Casing	26905205	4
5	Centrifugal Fan	10425200	4
6	Rotary Axis Sub-Assy	700003060001	2
7	Joint Slack	73018731	2
8	Brushless DC Motor	15704100001	1
9	Rear Volute Casing	26905206	4
10	Cover Plate Sub-Assy	011657060006	1
11	Bottom Cover Plate Assy	000133060002	1
12	Terminal Board	4201800002601	1
13	Terminal Board	42000100000101	1
14	Main Board	30226000029	1
15	Electric Box Sub-Assy	017007000638	1
16	Sealplate sub-assy (drainage)	01495318	1
17	Left Side Plate Assy	01315200087	1
18	Right Side Plate Sub-Assy	000081000034	1
19	Water Tray Assy	000069000112	1
20	Water Tray Assy	000069000112	1
21	Top Cover Board Assy	000132060009	1
22	Electric Expansion Valve Sub-Assy	07334466	1
23	Strainer	0741410000601	2
24	Evaporator Assy	011001060027	1
25	Air Outlet Frame Assy	000141060002	1
26	Display Board	30296000040	1
27	Sensor Sub-assy	39004168G	1
28	Electric Expand Valve Fitting	4304413215	1
29	Corrugated Pipe	05015408	1

Above data is subject to change without notice, pls reference the SP in global service website.

5.17 360° Air Discharge Cassette Type

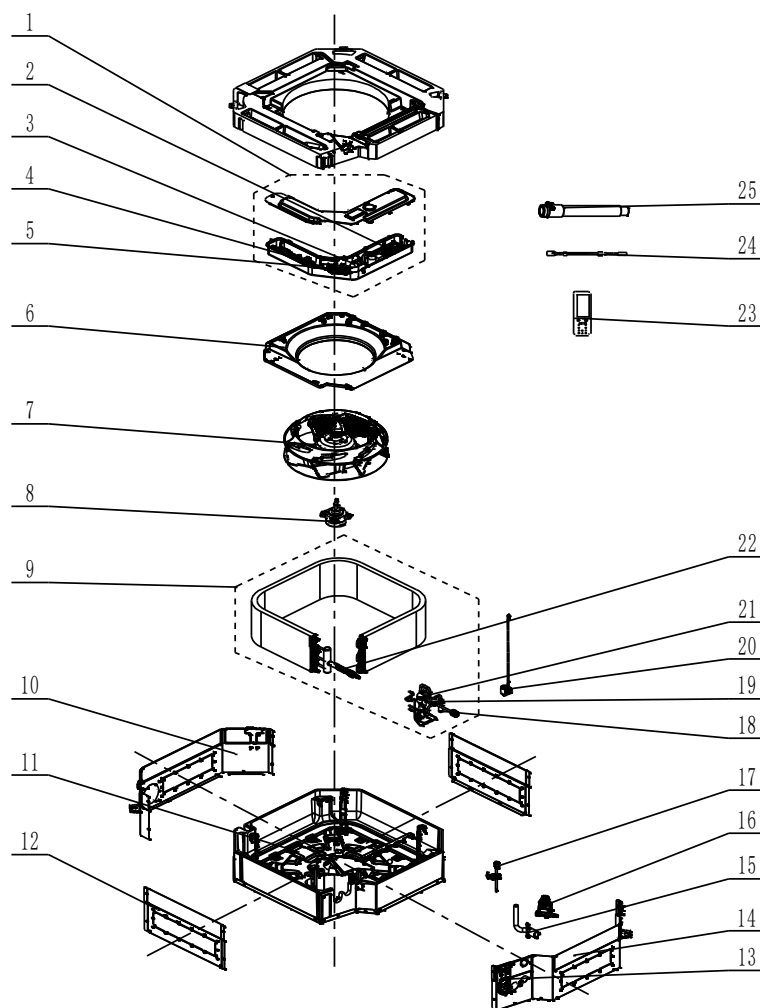
Exploded View of GMV-ND22T/C-T,GMV-ND28T/C-T:



No.	Name of part	For the following unit		For the following unit	
		Unit	Product Code	Unit	Product Code
		GMV-ND22T/C-T	CM500N1680	GMV-ND36T/C-T	CM500N1670
		GMV-ND28T/C-T	CM500N1660	GMV-ND45T/C-T	CM500N1650
		Part code	Quantity	Part code	Quantity
1	Main Board	300002060274	1	300002060274	1
2	Filter Board	30221000021	1	30221000021	1
3	Terminal Board	42011106	1	42011106	1
4	Terminal Board	42200006000401	1	42200006000401	1
5	Diversion Circle	26909400067	1	26909400067	1
6	Centrifugal Fan	10429400004	1	10429400004	1
7	Brushless DC Motor	1570410000702	1	1570410000702	1
8	Evaporator Assy	011001000430	1	011001000404	1
9	Liquid Level Switch	4502021601	1	4502021601	1
10	Side Plate 1	01319400049	1	01319400049	1
11	Seat Board Sub-Assy	02229400011	1	02229400011	1
12	Side Plate 3	01319400051	2	01319400051	2
13	Body Installing Plate	01332701	4	01332701	4
14	Side Plate 2	01319400050	1	01319400050	1
15	Drainage Pipe Sub-assy	26909400055	1	26909400055	1
16	Water Pump	43138000058	1	43138000058	1
17	Electronic Expansion Valve	07334463	1	07334463	1

No.	Name of part	For the following unit		For the following unit	
		Unit	Product Code	Unit	Product Code
		GMV-ND22T/C-T	CM500N1680	GMV-ND36T/C-T	CM500N1670
		GMV-ND28T/C-T	CM500N1660	GMV-ND45T/C-T	CM500N1650
		Part code	Quantity	Part code	Quantity
18	Electric Expand Valve Fitting	4304413252	1	4304413252	1
19	Strainer	07213050	1	07213050	1
20	Strainer	07415210	1	07415210	1
21	Corrugated Pipe	040001000002	1	035030000008	1
22	Remote Controller	30510589	1	30510589	1
23	Sensor Sub-assy	390002000032	1	390002000032	1
24	Drain Hose	05232044	1	05232044	1
25	Electric Box Assy	100002066372	1	100002066372	1

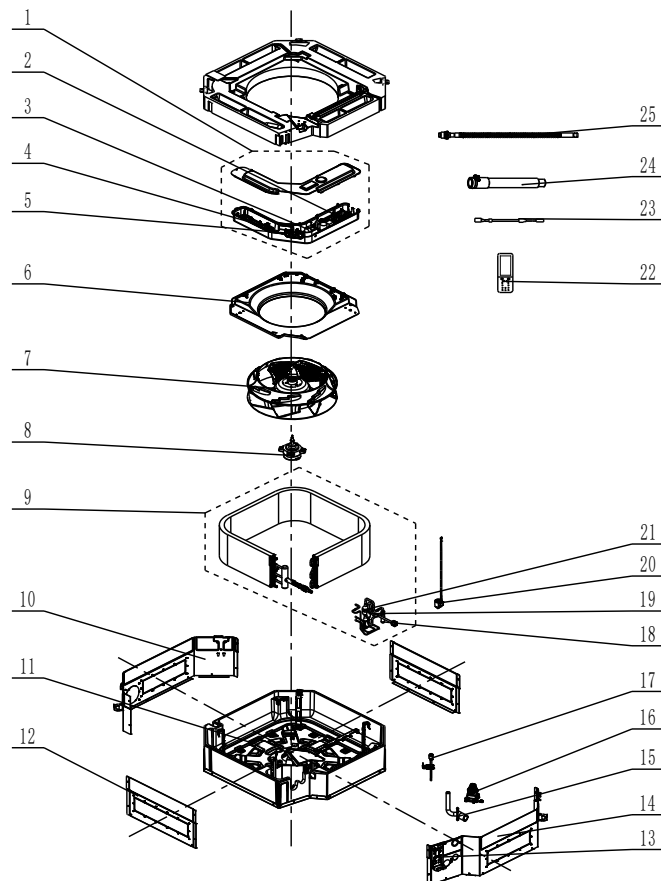
Exploded View of GMV-ND50T/C-T:



No.	Name of part	For the following unit	
		Unit	Product Code
		GMV-ND50T/C-T	CM500N1640
		Part code	Quantity
1	Electric Box Assy	100002066372	1
2	Main Board	300002060274	1
3	Filter Board	30221000021	1
4	Terminal Board	42200006000401	1
5	Terminal Board	42011106	1

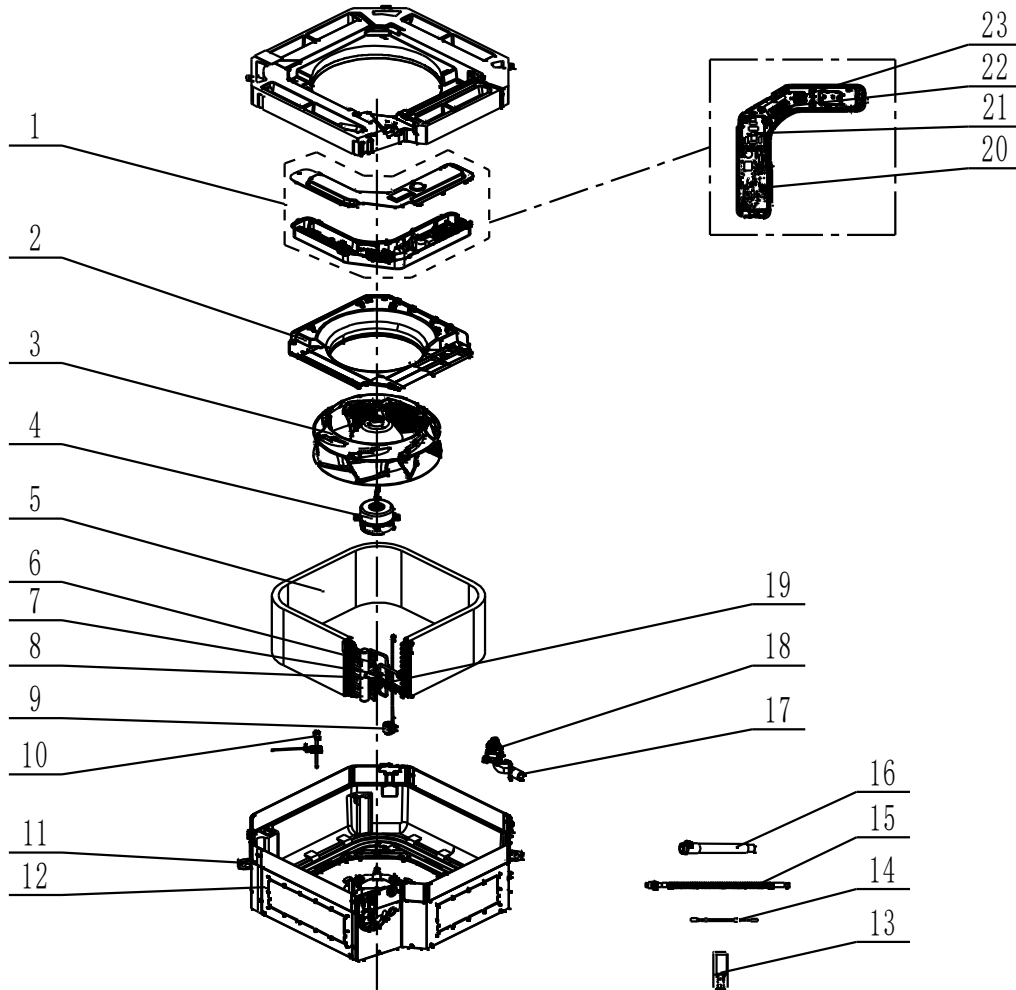
No.	Name of part	For the following unit	
		Unit	Product Code
		GMV-ND50T/C-T	CM500N1640
		Part code	Quantity
6	Diversion Circle	26909400067	1
7	Centrifugal Fan	10429400004	1
8	Brushless DC Motor	1570410000702	1
9	Evaporator Assy	011001000239	1
10	Side Plate 1	01319400049	1
11	Seat Board Sub-Assy	02229400011	1
12	Side Plate 3	01319400051	2
13	Body Installing Plate	01332701	4
14	Side Plate 2	01319400050	1
15	Drainage Pipe Sub-assy	26909400055	1
16	Water Pump	43138000058	1
17	Liquid Level Switch	4502021601	1
18	Electronic Expansion Valve	07334463	1
19	Strainer	07213050	1
20	Electric Expand Valve Fitting	4304413252	1
21	Strainer	07415210	1
22	Corrugated Pipe	035030000008	1
23	Remote Controller	30510589	1
24	Sensor Sub-assy	390002000032	1
25	Drain Hose	05232044	1

Exploded View of GMV-ND56T/C-T,GMV-ND63T/C-T,GMV-ND71T/C-T:



No.	Name of part	For the following unit	
		Unit	Product Code
		GMV-ND56T/C-T	CM500N1630
		GMV-ND63T/C-T	CM500N1440
		GMV-ND71T/C-T	CM500N1370
	Part code	Quantity	
1	Electric Box Assy	100002066372	1
2	Main Board	300002060274	1
3	Filter Board	30221000021	1
4	Terminal Board	42200006000401	1
5	Terminal Board	42011106	1
6	Diversion Circle	26909400067	1
7	Centrifugal Fan	10429400004	1
8	Brushless DC Motor	1570410000702	1
9	Evaporator Assy	011001000410	1
10	Side Plate 1	01319400049	1
11	Seat Board Sub-Assy	02229400011	1
12	Side Plate 3	01319400051	2
13	Body Installing Plate	01332701	4
14	Side Plate 2	01319400050	1
15	Drainage Pipe Sub-assy	26909400055	1
16	Water Pump	43138000058	1
17	Liquid Level Switch	4502021601	1
18	Electronic Expansion Valve	07334463	1
19	Strainer	07213050	1
20	Electric Expand Valve Fitting	4304413252	1
21	Strainer	07415210	1
22	Remote Controller	30510589	1
23	Sensor Sub-assy	390002000032	1
24	Drain Hose	05232044	1
25	Corrugated Pipe	05015408	1

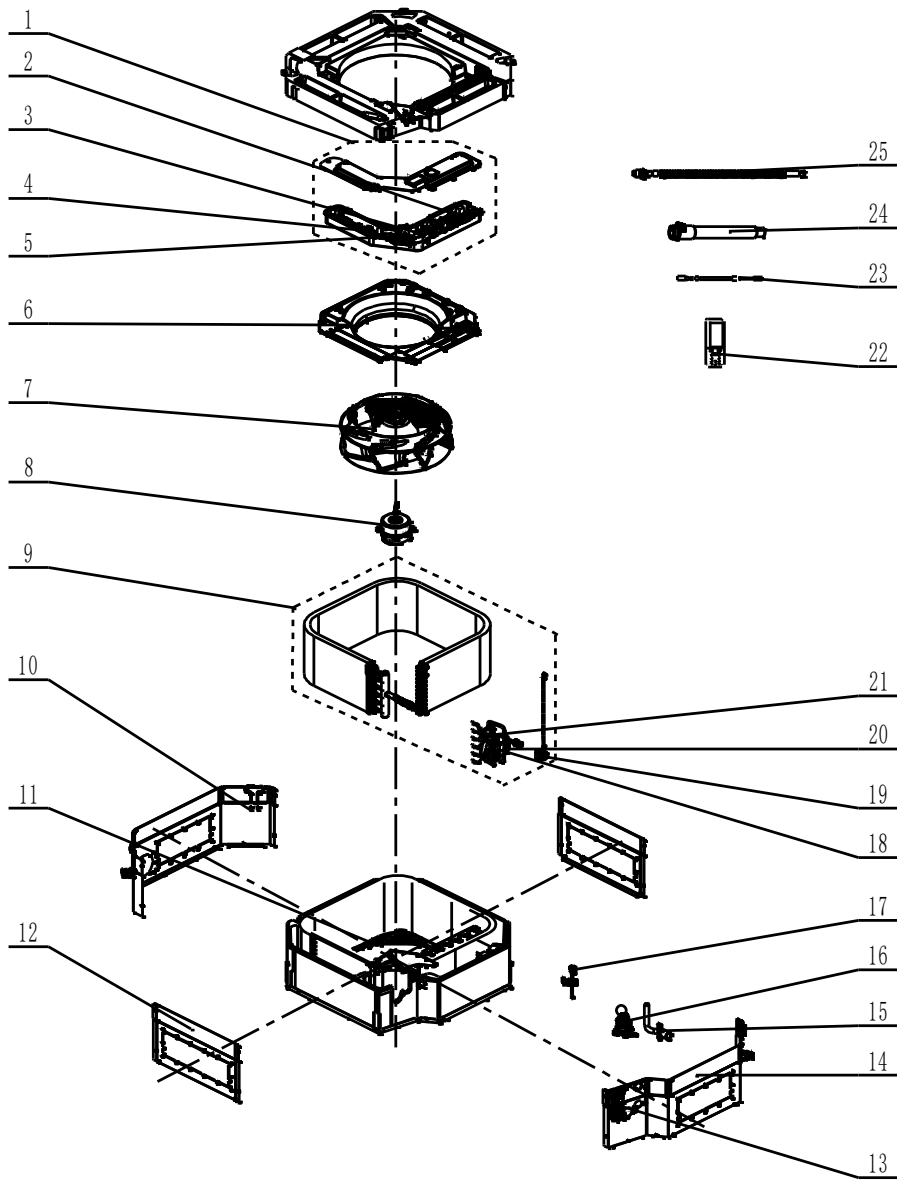
Exploded View of GMV-ND80T/C-T,GMV-ND90T/C-,GMV-ND100T/C-T:



No.	Name of part	For the following unit	
		Unit	Product Code
		GMV-ND80T/C-T	CM500N1430
		GMV-ND90T/C-T	CM500N1420
		GMV-ND100T/C-T	CM500N1380
		Part code	Quantity
1	Electric Box Assy	100002066372	1
2	Diversion Circle	26909400067	1
3	Centrifugal Fan	10429400004	1
4	Brushless DC Motor	1570410000702	1
5	Evaporator Assy	011001000236	1
6	Strainer	07415210	1
7	Electronic Expansion Valve	07334466	1
8	Strainer	07213050	1
9	Electric Expand Valve Fitting	4304413252	1
10	Liquid Level Switch	4502021601	1
11	Body Installing Plate	01332701	4
12	Seat Board Sub-Assy	02229400011	1
13	Remote Controller	30510589	1
14	Sensor Sub-Assy	390002000032	1
15	Corrugated Pipe	05015408	1
16	Drain Hose	05232044	1

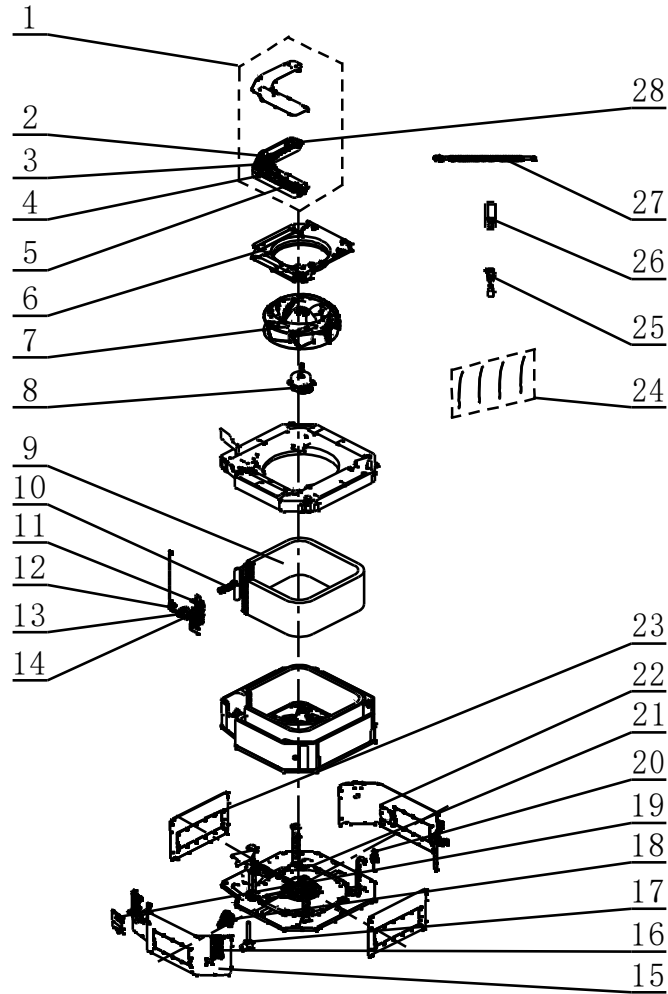
No.	Name of part	For the following unit	
		Unit	Product Code
		GMV-ND80T/C-T	CM500N1430
		GMV-ND90T/C-T	CM500N1420
		GMV-ND100T/C-T	CM500N1380
	Part code	Quantity	
17	Drainage Pipe Sub-Assy	26909400055	1
18	Water Pump	43138000058	1
19	Corrugated Pipe	03503000007	1
20	Main Board	300002060274	1
21	Filter Board	30221000021	1
22	Terminal Board	42011106	1
23	Terminal Board	42200006000401	1

Exploded View of GMV-ND112T/C-T,GMV-ND125T/C-T,GMV-ND140T/C-T:



No.	Name of part	For the following unit	
		Unit	Product Code
		GMV-ND112T/C-T	CM500N1400
		GMV-ND125T/C-T	CM500N1410
		GMV-ND140T/C-T	CM500N1360
	Part code	Quantity	
1	Electric Box Assy	100002066372	1
2	Main Board	300002060274	1
3	Filter Board	30221000021	1
4	Terminal Board	42200006000401	1
5	Terminal Board	42011106	1
6	Diversion Circle	10479400002	1
7	Centrifugal Fan	10429400003	1
8	Brushless DC Motor	15709400009	1
9	Evaporator Assy	011001000405	1
10	Side Plate 1	01319400025	1
11	Seat Board Sub-Assy	02229400011	1
12	Side Plate 3	01319400036	2
13	Body Installing Plate	01332701	4
14	Side Plate 2	01319400026	1
15	Drainage Pipe Sub-assy	26909400055	1
16	Water Pump	43138000058	1
17	Liquid Level Switch	4502021601	1
18	Strainer	07213050	1
19	Electric Expand Valve Fitting	4304413252	1
20	Electronic Expansion Valve	07334468	1
21	Strainer	07415210	1
22	Remote Controller	30510589	1
23	Sensor Sub-assy	390002000032	1
24	Drain Hose	05232044	1
25	Corrugated Pipe	05015408	1

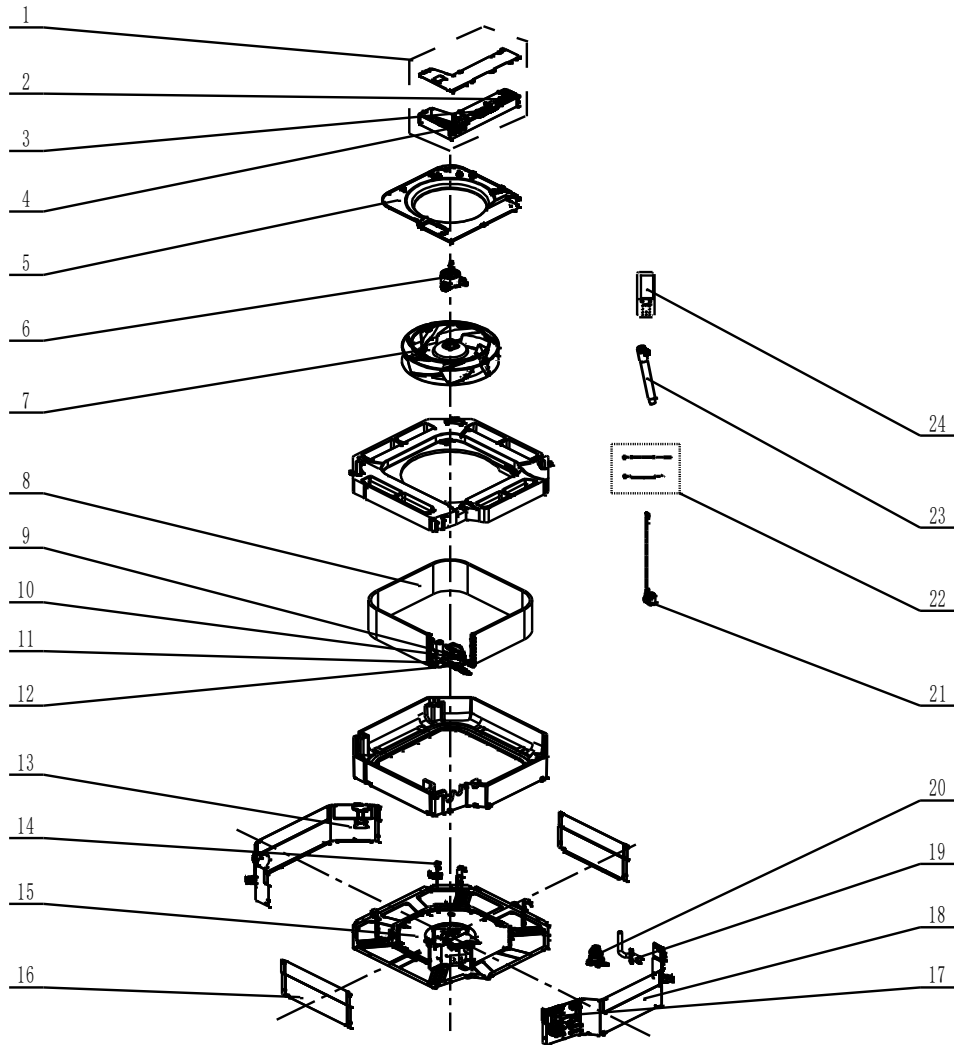
Exploded View of GMV-ND160T/C-T:



No.	Name of part	For the following unit	
		Unit	Product Code
		GMV-ND160T/C-T	CM500N1710
		Part code	Quantity
1	Electric Box Assy	100002072281	1
2	Terminal Board	42200006005404	1
3	Terminal Board	42011106	1
4	Filter Board	30221000021	1
5	Main Board	300002060274	1
6	Diversion Circle	10479400002	1
7	Centrifugal Fan	10429400003	1
8	Brushless DC Motor	15709400009	1
9	Evaporator Sub-Assy	01059400009	1
10	Corrugated Pipe	0502511203	1
11	Strainer	07415210	1
12	Electric Expand Valve Fitting	4304413252	1
13	Strainer	07213050	1
14	Electronic Expansion Valve	072009060045	1
15	Side Plate 2	01319400026	1
16	Body Installing Plate	01332701	4
17	Drainage Pipe Sub-assy	26909400055	1
18	Water Pump	43138000058	1

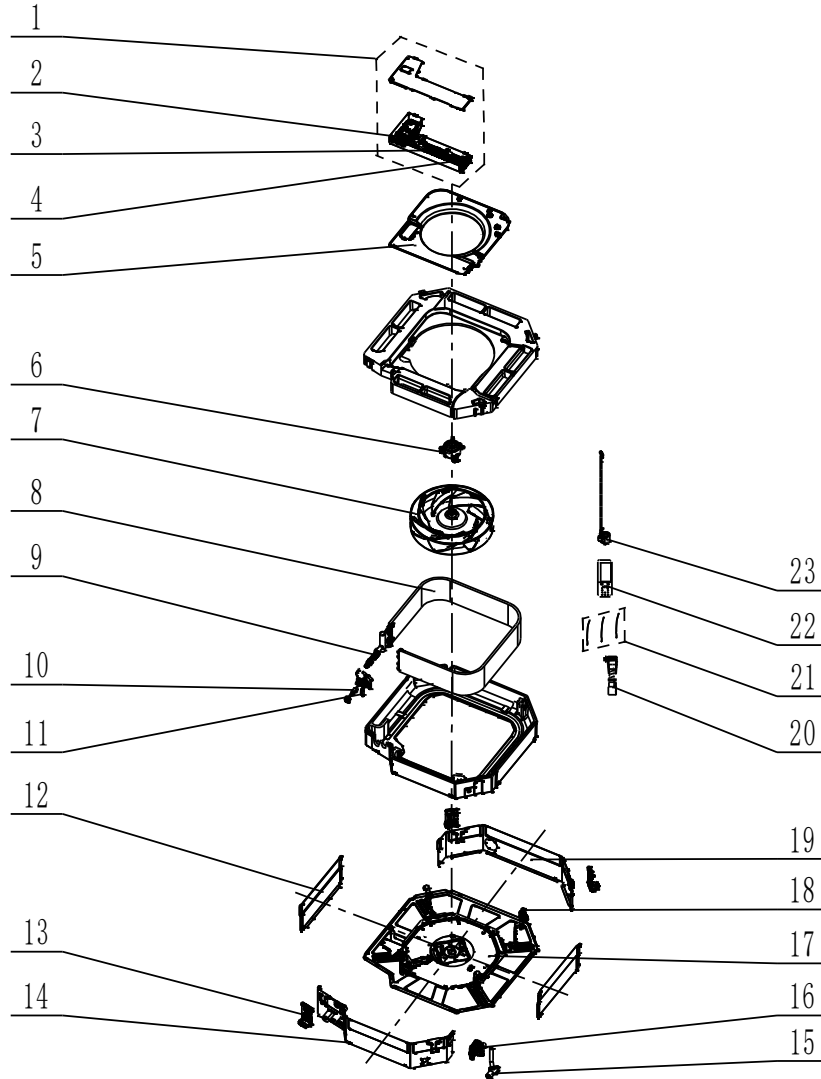
No.	Name of part	For the following unit	
		Unit	Product Code
		GMV-ND160T/C-T	CM500N1710
		Part code	Quantity
19	Seal plate	01499400002	1
20	Liquid Level Switch	4502021601	1
21	Seat Board Sub-Assy	02229400011	1
22	Side Plate 1	01319400025	1
23	Side Plate 3	01319400036	2
24	Sensor Sub-assy	390002000032	1
25	Drain Hose	05232044	1
26	Remote Controller	30510589	1
27	Corrugated Pipe	035030000005	1
28	Filter Board	300020060076	1

Exploded View of GMV-ND22T/C1-T,GMV-ND28T/C1-T,GMV-ND36T/C1-T:



No.	Name of part	For the following unit		For the following unit	
		Unit	Product Code	Unit	Product Code
		GMV-ND22T/C1-T	CM500N1850	GMV-ND36T/C1-T	CM500N1820
		GMV-ND28T/C1-T	CM500N1860	-	-
		Part code	Quantity	Part code	Quantity
1	Electric Box Assy	100002071821	1	100002071821	1
2	Terminal Board	42200006005404	1	42200006005404	1
3	Main Board	300002061986	1	300002061986	1
4	Terminal Board	42000100000204	1	42000100000204	1
5	Diversion Circle	200150060006	1	200150060006	1
6	Brushless DC Motor	15010406001201	1	15010406001201	1
7	Centrifugal Fan	103003060016	1	103003060016	1
8	Evaporator Assy	011001062102	1	011001062151	1
9	Strainer	035021060019	1	035021060019	1
10	Strainer	07213050	1	07213050	1
11	Electronic Expansion Valve	07334463	1	07334463	1
12	Corrugated Pipe	035030000008	1	035030000008	1
13	Side Plate	012010060371	1	012010060371	1
14	Liquid Level Switch	4502021601	1	4502021601	1
15	Seat Board Sub-Assy	017080060112	1	017080060112	1
16	Side Plate	012010060370	2	012010060370	2
17	Body Installing Plate	01332701	4	01332701	4
18	Side Plate	012010060372	1	012010060372	1
19	Drainage Pipe Sub-assy	2690940005501	1	2690940005501	1
20	Water Pump	43138000058	1	43138000058	1
21	Electric Expand Valve Fitting	4304413215	1	4304413215	1
22	Sensor Sub-assy	390002060106	1	390002060106	1
23	Drain Hose	05232044	1	05232044	1
24	Remote Controller	30510589	1	30510589	1

Exploded View of GMV-ND45T/C1-T, GMV-ND50T/C1-T:

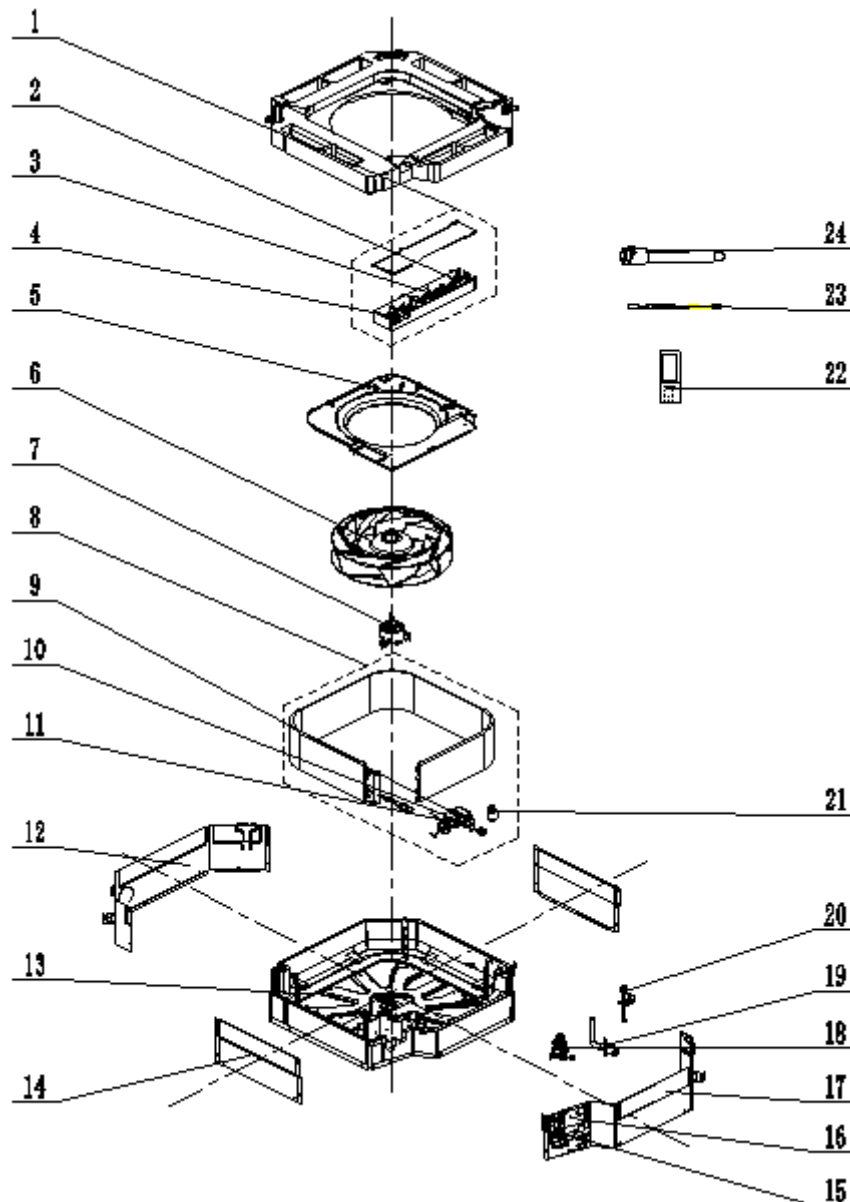


No.	Name of part	For the following unit	
		Unit	Product Code
		GMV-ND45T/C1-T	CM500N1730
		GMV-ND50T/C1-T	CM500N1720
		Part code	Quantity
1	Electric Box Assy	100002071821	1
2	Terminal Board	42000100000204	1
3	Main Board	300002061986	1
4	Terminal Board	42200006005404	1
5	Diversion Circle	200150060006	1
6	Brushless DC Motor	15010406001201	1
7	Centrifugal Fan	103003060016	1
8	Evaporator Assy	011001060984	1
9	Corrugated Pipe	035030000008	1
10	Strainer	07213050	1
11	Electronic Expansion Valve	072009000006	1
12	Side Plate	012010060370	2
13	Body Installing Plate	01332701	4
14	Side Plate	012010060372	1
15	Drainage Pipe Sub-assy	2690940005501	1

No.	Name of part	For the following unit	
		Unit	Product Code
		GMV-ND45T/C1-T	CM500N1730
		GMV-ND50T/C1-T	CM500N1720
		Part code	Quantity
16	Water Pump	43138000058	1
17	Seat Board Sub-Assy	017080060112	1
18	Liquid Level Switch	4502021602	1
19	Side Plate	012010060371	1
20	Drain Hose	05232044	1
21	Sensor Sub-assy	390002060106	1
22	Remote Controller	30510589	1
23	Electric expand valve fitting	43040001	1

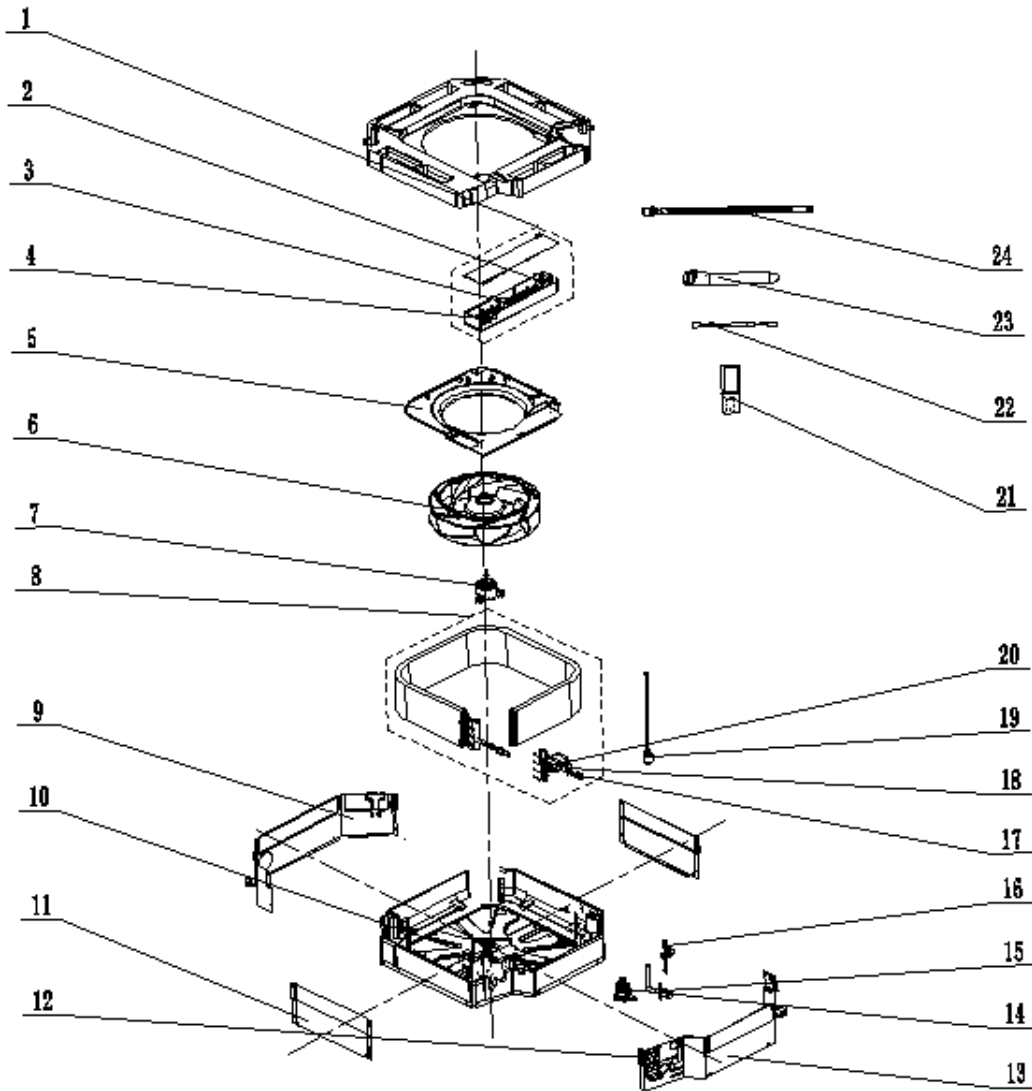
Above data is subject to change without notice, pls reference the SP in global service website.

Exploded View of GMV-ND22T/D1-T, GMV-ND28T/D1-T, GMV-ND36T/D1-T, GMV-ND45T/D1-T, GMV-ND50T/D1-T:



No.	Name of part	For the following unit	
		Unit	Product Code
		GMV-ND22T/D1-T	CM500N2170
		GMV-ND28T/D1-T	CM500N2130
		GMV-ND36T/D1-T	CM500N2120
		GMV-ND45T/D1-T	CM500N2180
		GMV-ND50T/D1-T	CM500N2010
		Part code	Quantity
1	Electric Box Assy	100002077709	1
2	Terminal Board	42200006005404	1
3	Main Board	300002062830	1
4	Terminal Board	422000060013	1
5	Diversion Circle	200150060006	1
6	Brushless DC Motor	15010406001201	1
7	Centrifugal Fan	103003060016	1
8	Evaporator Assy	011001062396	1
9	Electronic Expansion Valve	072009060047	1
10	Strainer	07213050	1
11	Strainer	035021060019	1
12	Side Plate	012010060371	1
13	Seat Board Sub-Assy	017080060148	1
14	Side Plate	012010060370	2
15	Body Installing Plate	01332701	4
16	Seal plate Assy	000112060031	1
17	Side Plate	01201006037201	1
18	Water Pump	43138000058	1
19	Drainage Pipe Sub-assy	2690940005501	1
20	Liquid Level Switch	4502021603	1
21	Electric Expand Valve Fitting	4304413215	1
22	Remote Controller	30510589	1
23	Sensor Sub-assy	390002060106	1
24	Drain Hose	05232044	1

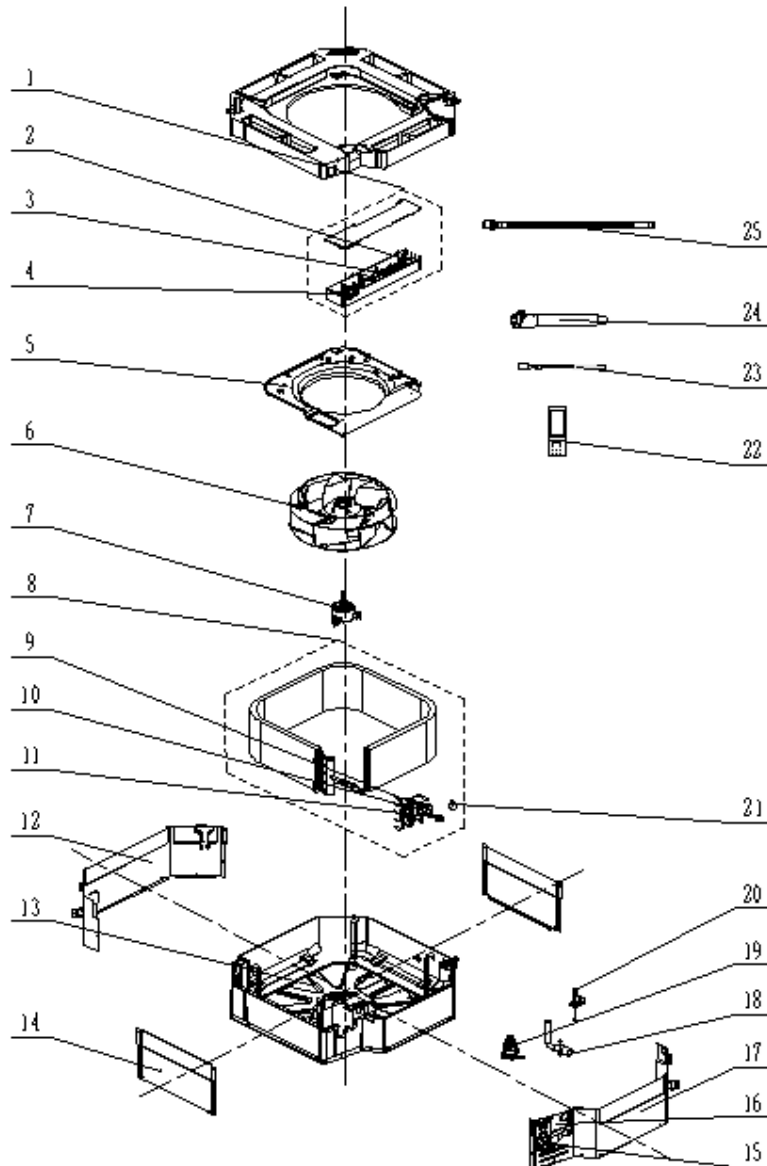
Exploded View Of GMV-ND56T/D1-T,GMV-ND63T/D1-T,GMV-ND71T/D1-T:



No.	Name of part	For the following unit	
		Unit	Product Code
		GMV-ND56T/D1-T	CM500N2100
		GMV-ND63T/D1-T	CM500N2160
		GMV-ND71T/D1-T	CM500N2030
		Part code	Quantity
1	Electric Box Assy	017007063195	1
2	Terminal Board	42200006005404	1
3	Main Board	300002062830	1
4	Terminal Board	422000060013	1
5	Diversion Circle	200150060006	1
6	Centrifugal Fan	103003060016	1
7	Brushless DC Motor	15010406001201	1
8	Evaporator Assy	011001062329	1
9	Side Plate	012010060371	1
10	Seat Board Sub-Assy	017080060148	1
11	Side Plate	012010060370	2
12	Body Installing Plate	01332701	4
13	Side Plate	01201006037201	1

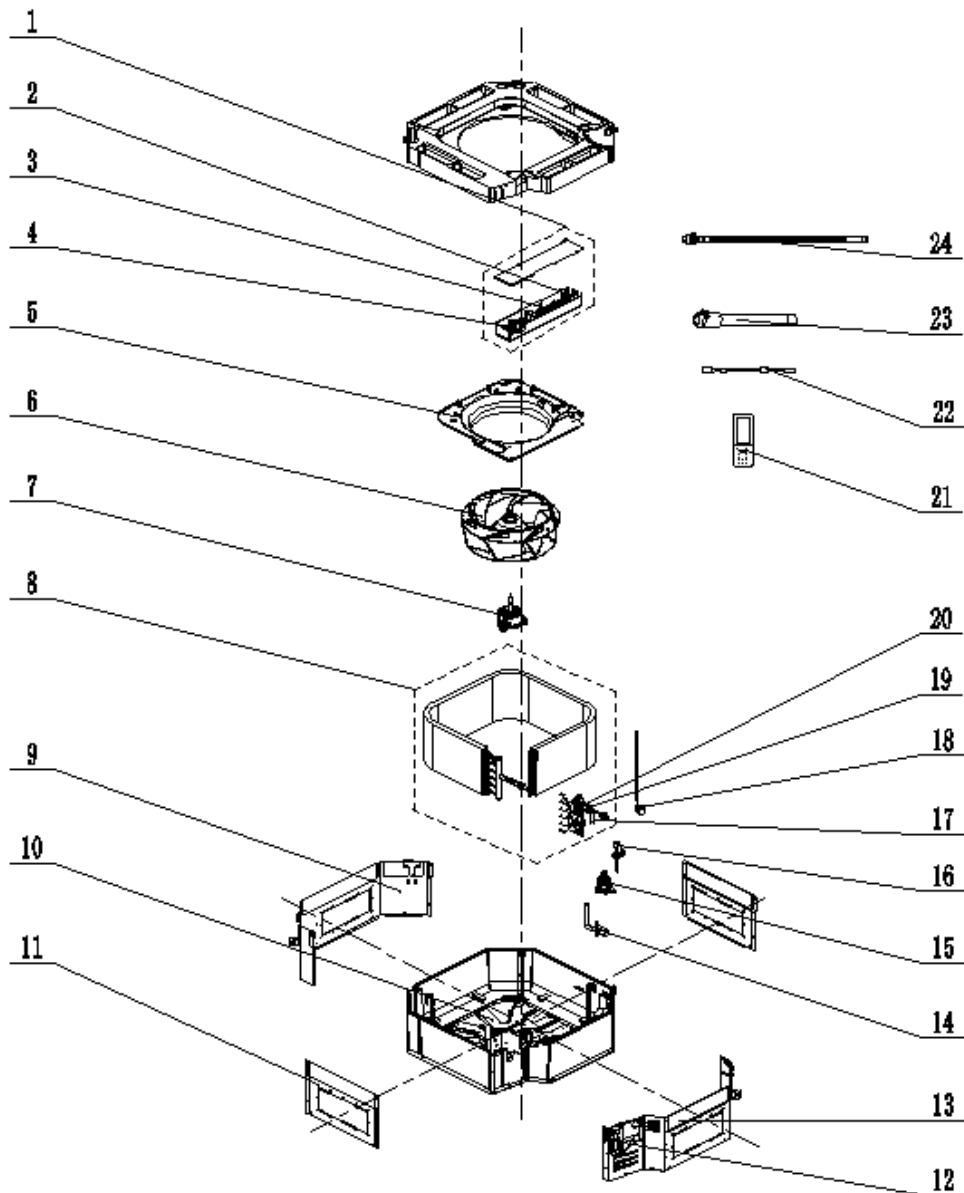
No.	Name of part	For the following unit	
		Unit	Product Code
		GMV-ND56T/D1-T	CM500N2100
		GMV-ND63T/D1-T	CM500N2160
		GMV-ND71T/D1-T	CM500N2030
	Part code	Quantity	
14	Water Pump	43138000058	1
15	Drainage Pipe Sub-assy	2690940005501	1
16	Liquid Level Switch	4502021603	1
17	Electric Expand Valve	072009060046	1
18	Strainer	07213050	1
19	Electric Expand Valve Fitting	4304413215	1
20	Strainer	035021060019	1
21	Remote Controller	30510589	1
22	Sensor Sub-assy	390002060106	1
23	Drain Hose	05232044	1
24	Corrugated Pipe	0502511201	1

Exploded View Of GMV-ND80T/D1-T,GMV-ND90T/D1-T,GMV-ND100T/D1-T,GMV-ND112T/D1-T:



No.	Name of part	For the following unit	
		Unit	Product Code
		GMV-ND80T/D1-T	CM500N2110
		GMV-ND90T/D1-T	CM500N2190
		GMV-ND100T/D1-T	CM500N2140
		GMV-ND112T/D1-T	CM500N2020
		Part code	Quantity
1	Electric Box Assy	100002077709	1
2	Terminal Board	42200006005404	1
3	Main Board	300002062830	1
4	Terminal Board	422000060013	1
5	Diversion Circle	200150060030	1
6	Centrifugal Fan	103003060047	1
7	Brushless DC Motor	150104060121	1
8	Evaporator Assy	011001062441	1
9	Electric Expand Valve Fitting	072009060045	1
10	Strainer	07213050	1
11	Strainer A	0721002201	1
12	Side Plate 1	012010061292	1
13	Seat Board Sub-Assy	017080060148	1
14	Side Plate	012010061294	2
15	Body Installing Plate	01332701	4
16	Seal Plate Assy	000112060031	1
17	Side Plate	012010061293	1
18	Drainage Pipe Sub-assy	269094000055	1
19	Water Pump	431380000058	1
20	Liquid Level Switch	4502021603	1
21	Electric Expand Valve Fitting	4304413252	1
22	Remote Controller	30510589	1
23	Sensor Sub-assy	390002060106	1
24	Drain Hose	05232044	1
25	Corrugated Pipe	035030000007	1

Exploded View Of GMV-ND125T/D1-T, GMV-ND140T/D1-T:



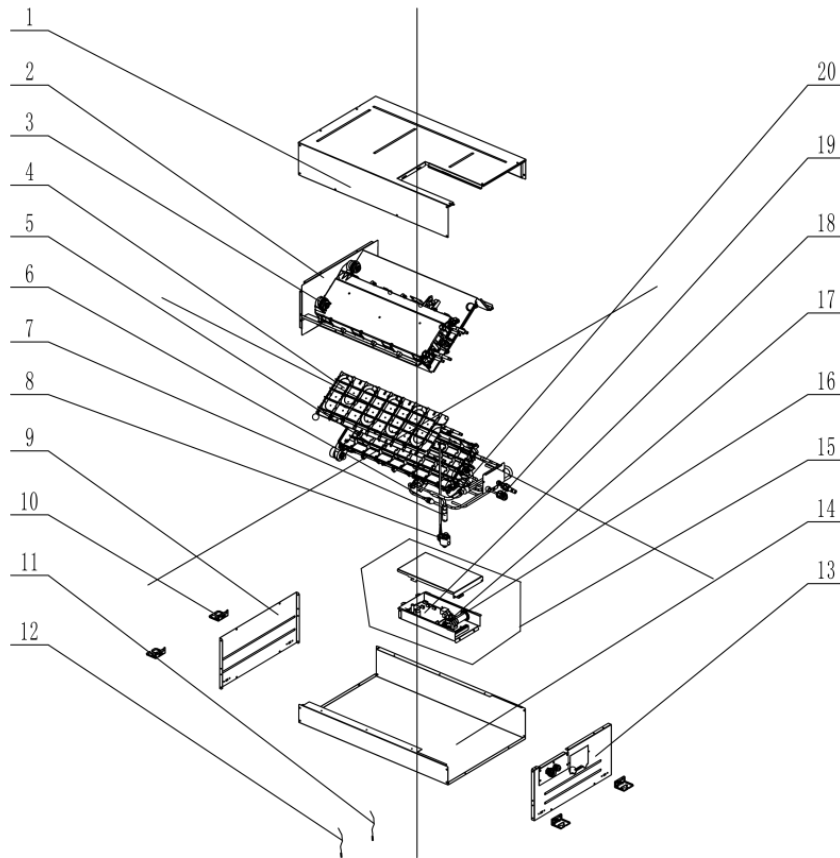
No.	Name of part	For the following unit	
		Unit	Product Code
		GMV-ND125T/D1-T	CM500N2150
		GMV-ND140T/D1-T	CM500N2040
		Part code	Quantity
1	Electric Box Assy	100002077708	1
2	Terminal Board	42200006005404	1
3	Main Board	300002062748	1
4	Terminal Board	422000060013	1
5	Diversion Circle	200150060029	1
6	Centrifugal Fan	103003060048	1
7	Brushless DC Motor	150104060122	1
8	Evaporator Assy	011001062236	1
9	Side Plate	012010061326	1
10	Seat Board Sub-Assy	017080060148	1
11	Side Plate	012010061328	2

No.	Name of part	For the following unit	
		Unit	Product Code
		GMV-ND125T/D1-T	CM500N2150
		GMV-ND140T/D1-T	CM500N2040
		Part code	Quantity
12	Body Installing Plate	01332701	4
13	Side Plate	012010061327	1
14	Drainage Pipe Sub-assy	26909400055	1
15	Water Pump	43138000058	1
16	Liquid Level Switch	4501800002904	1
17	Electric Expand Valve	072009060045	1
18	Electric Expand Valve Fitting	4304413252	1
19	Strainer	07213050	1
20	Strainer	035021060019	1
21	Remote Controller	30510589	1
22	Sensor Sub-assy	390002060106	1
23	Drain Hose	05232044	1
24	Corrugated Pipe	035030000007	1

Above data is subject to change without notice, pls reference the SP in global service website.

5.18 Heat Storage Module

Exploded View of XRZ180L/A-T

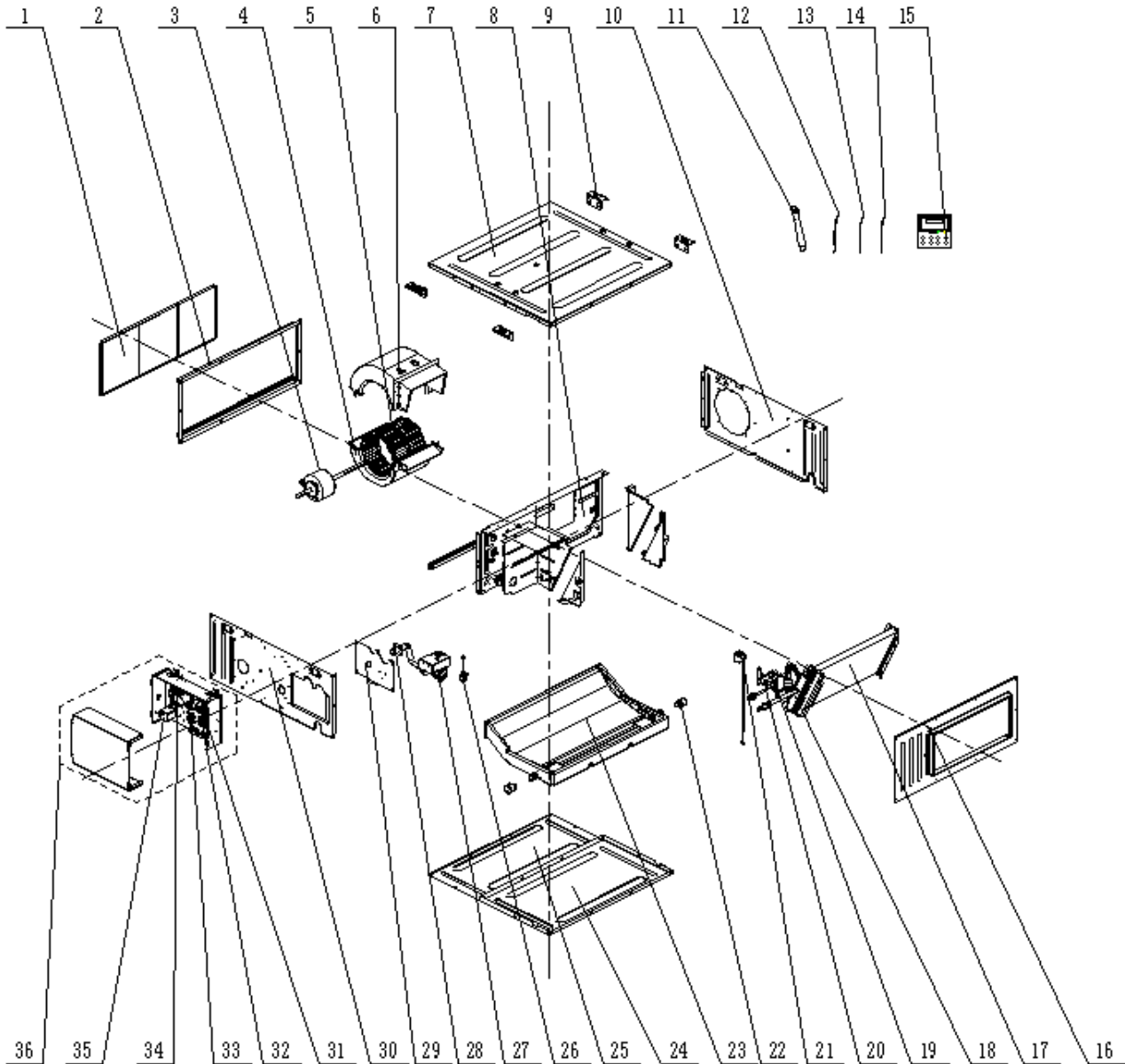


No.	Name of part	For the following unit	
		Unit	Product Code
		XRZ180L/A-T	CM810N2250
		Part code	Quantity
1	Top Cover	012148060003	1
2	Base Frame	012252060002	1
3	Compressor Gasket	76713066	1
4	Heat Accumulator Sub-assy	32005002	1
5	Heat Accumulator Sub-assy	32005003	1
6	Strainer	0721304401	1
7	Electronic Expansion Valve	07334466	1
8	Electric Expand Valve Fitting	4304413252	1
9	Right Side Plate	012056060003	1
10	Hook	0220410001201	1
11	Temperature Sensor	390001060013	1
12	Temperature Sensor	390001060011	1
13	Left Side Plate	012055060004	1
14	Bottom Cover Plate	012147060005	1
15	Electric Box Assy	100002071026	1
16	Terminal Board	42011106	1
17	Terminal Board	420001000019	1
18	Main Board	300002000795	1
19	Sealing Cap(Pressure Warning)	26112192	1
20	Strainer A	0721002201	1

Above data is subject to change without notice, pls reference the SP in global service website.

5.19 High Static Pressure Duct Type Indoor Unit

Exploded View of GMV-ND22PHS/D-T, GMV-ND25PHS/D-T, GMV-ND28PHS/D-T, GMV-ND32PHS/D-T, GMV-ND36PHS/D-T:

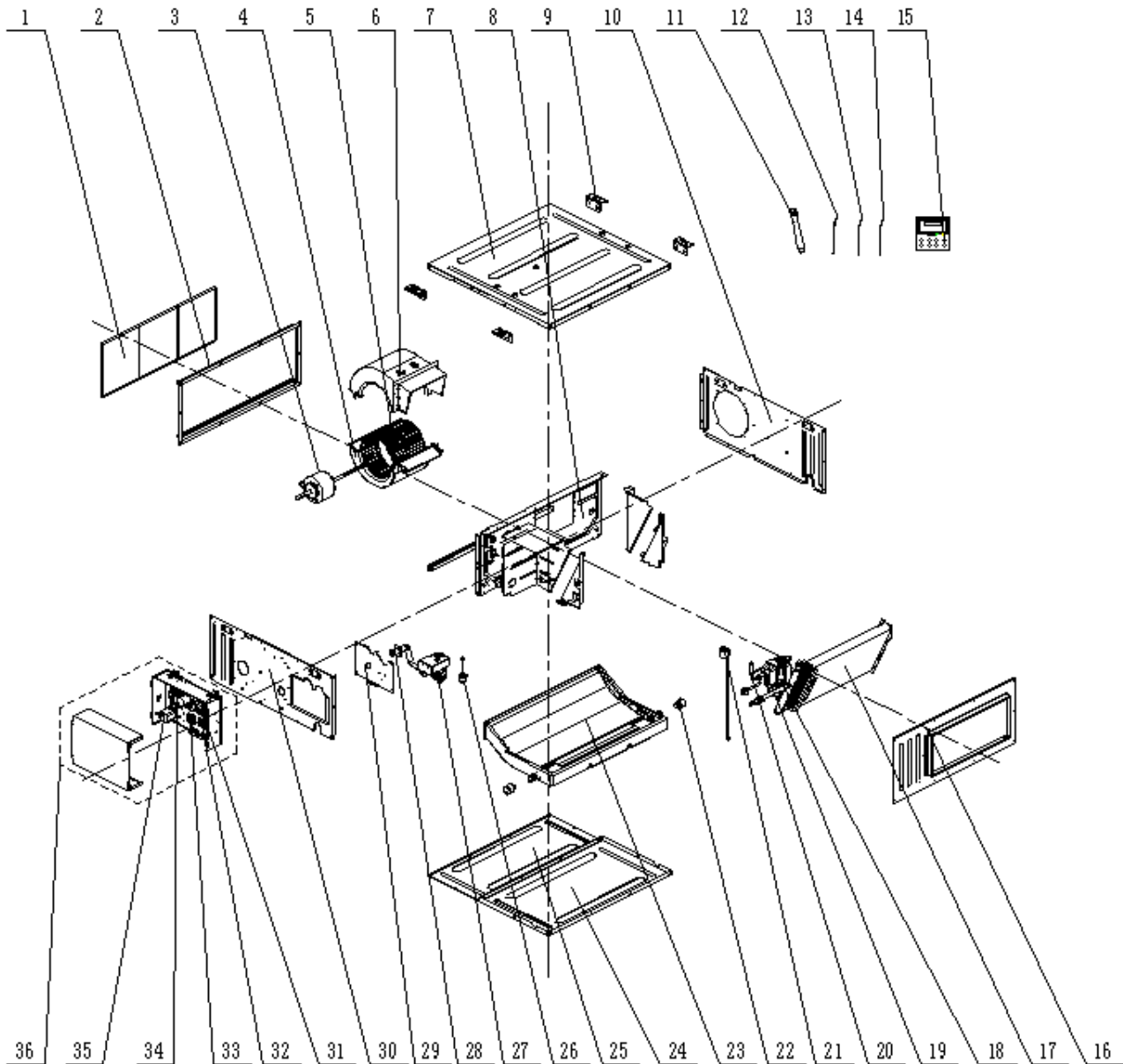


No.	Name of part	For the following unit		For the following unit	
		Unit	Product Code	Unit	Product Code
		GMV-ND22PHS/D-T	CM810N2490	GMV-ND32PHS/D-T	CM810N2500
		GMV-ND25PHS/D-T	CM810N2420	GMV-ND36PHS/D-T	CM810N2410
		GMV-ND28PHS/D-T	CM810N2430	-	-
		Part code	Quantity	Part code	Quantity
1	Filter Sub-Assy	111001000055	1	111001000055	1
2	Return Air Frame Sub-Assy	017026000004	1	017026000004	1
3	Brushless DC Motor	150104060075	1	150104060075	1
4	Propeller Housing(Lower)	26905200079	1	26905200079	1
5	Centrifugal Fan	10455200003	1	10455200003	1
6	Propeller Housing(Upper)	26905200078	1	26905200078	1
7	Top Cover	01265200180	1	01265200180	1

No.	Name of part	For the following unit		For the following unit	
		Unit	Product Code	Unit	Product Code
		GMV-ND22PHS/D-T	CM810N2490	GMV-ND32PHS/D-T	CM810N2500
		GMV-ND25PHS/D-T	CM810N2420	GMV-ND36PHS/D-T	CM810N2410
		GMV-ND28PHS/D-T	CM810N2430	-	-
Part code	Quantity	Part code	Quantity		
8	Blower Mounting Plate Sub-Assy	01324100113	1	01324100113	1
9	Hook	02112466	4	02112466	4
10	Right Side Plate	01315200126	1	01315200126	1
11	Drain Hose	05232046	1	05232046	1
12	Temperature Sensor	3900005910	1	3900005910	1
13	Temperature Sensor	390000592	1	390000592	1
14	Temperature Sensor	390000454	1	390000454	1
15	Display Board	30296000040	1	30296000040	1
16	Air Outlet Frame Sub-assy	01374100069	1	01374100069	1
17	Evaporator Assy	011001061612	1	011001061308	1
18	Strainer	07415210	1	07415210	1
19	Strainer	07213050	1	07213050	1
20	Electronic Expansion Valve	072009060047	1	072009060047	1
21	Electric Expand Valve Fitting	4304413253	1	4304413253	1
22	Choke Plug of Drain Pipe	76815214	2	76815214	2
23	Foam Sub-assy	12505200038	1	12505200038	1
24	Bottom Cover Plate	01265200181	1	01265200181	1
25	Cover Of Air-In	01265200182	1	01265200182	1
26	Liquid Level Switch	430024000005	1	430024000005	1
27	Water Pump	81200706001605	1	81200706001605	1
28	Pump Drainpipe	200070060004	1	200070060004	1
29	Sealplate	012034060117	1	012034060117	1
30	Left Side Plate	01315200127	1	01315200127	1
31	Main Board	300002061336	1	300002061336	1
32	Terminal Board	42200006005404	1	42200006005404	1
33	Terminal board	42000100000202	1	42000100000202	1
34	Main Board	300002060300	1	300002060300	1
35	Inductance	43128000014	1	43128000014	1
36	Electric Box Assy	100002074842	1	100002074842	1

Above data is subject to change without notice, pls refer the SP in global service website.

Exploded View of GMV-ND40PHS/D-T, GMV-ND45PHS/D-T, GMV-ND50PHS/D-T:

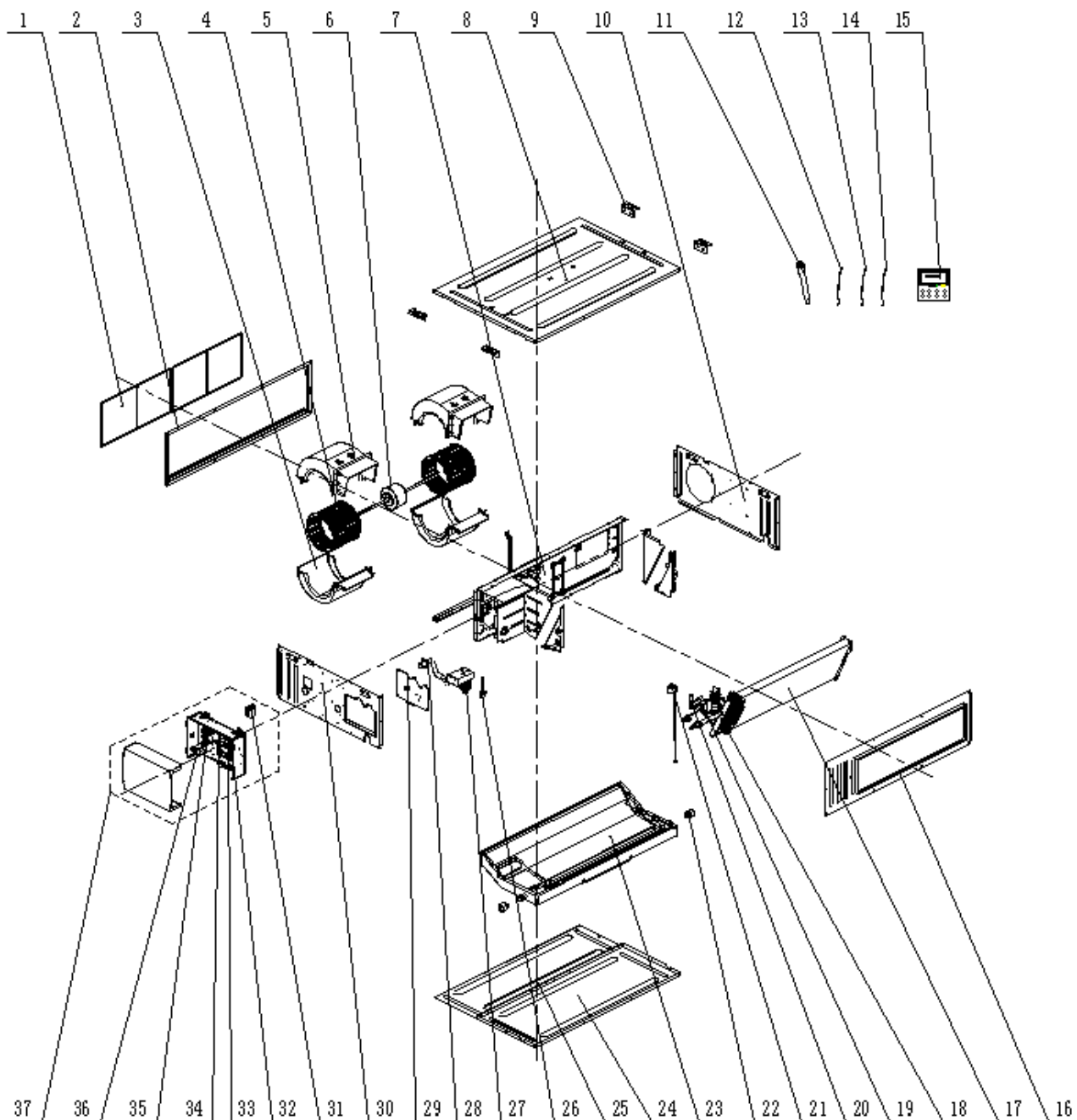


No.	Name of part	For the following unit	
		Unit	Product Code
		GMV-ND40PHS/D-T	CM810N2440
		GMV-ND45PHS/D-T	CM810N2510
		GMV-ND50PHS/D-T	CM810N2400
	Part code	Quantity	
1	Filter Sub-Assy	111001000055	1
2	Return Air Frame Sub-Assy	017026000004	1
3	Brushless DC Motor	150104060075	1
4	Propeller Housing(Lower)	26905200079	1
5	Centrifugal Fan	10455200003	1
6	Propeller Housing(Upper)	26905200078	1
7	Top Cover	01265200180	1
8	Blower Mounting Plate Sub-Assy	01324100113	1
9	Hook	02112466	4
10	Right Side Plate	01315200126	1
11	Drain Hose	05232046	1

No.	Name of part	For the following unit	
		Unit	Product Code
		GMV-ND40PHS/D-T	CM810N2440
		GMV-ND45PHS/D-T	CM810N2510
		GMV-ND50PHS/D-T	CM810N2400
		Part code	Quantity
12	Temperature Sensor	3900005910	1
13	Temperature Sensor	390000592	1
14	Temperature Sensor	390000454	1
15	Display Board	30296000040	1
16	Air Outlet Frame Sub-assy	01374100069	1
17	Evaporator Assy	011001061307	1
18	Strainer	07415210	1
19	Strainer	07213050	1
20	Electronic Expansion Valve	072009060046	1
21	Electric Expand Valve Fitting	4304413253	1
22	Choke Plug of Drain Pipe	76815214	2
23	Foam Sub-assy	12505200038	1
24	Bottom Cover Plate	01265200181	1
25	Cover Of Air-In	01265200182	1
26	Liquid Level Switch	430024000005	1
27	Water Pump	81200706001605	1
28	Pump Drainpipe	200070060004	1
29	Sealplate	012034060117	1
30	Left Side Plate	01315200127	1
31	Main Board	300002061336	1
32	Terminal Board	42200006005404	1
33	Terminal board	42000100000202	1
34	Main Board	300002060300	1
35	Inductance	4312800001410	1
36	Electric Box Assy	100002074842	1

Above data is subject to change without notice, pls refer the SP in global service website.

Exploded View of GMV-ND56PHS/D-T, GMV-ND63PHS/D-T, GMV-ND71PHS/D-T, GMV-ND80PHS/D-T:

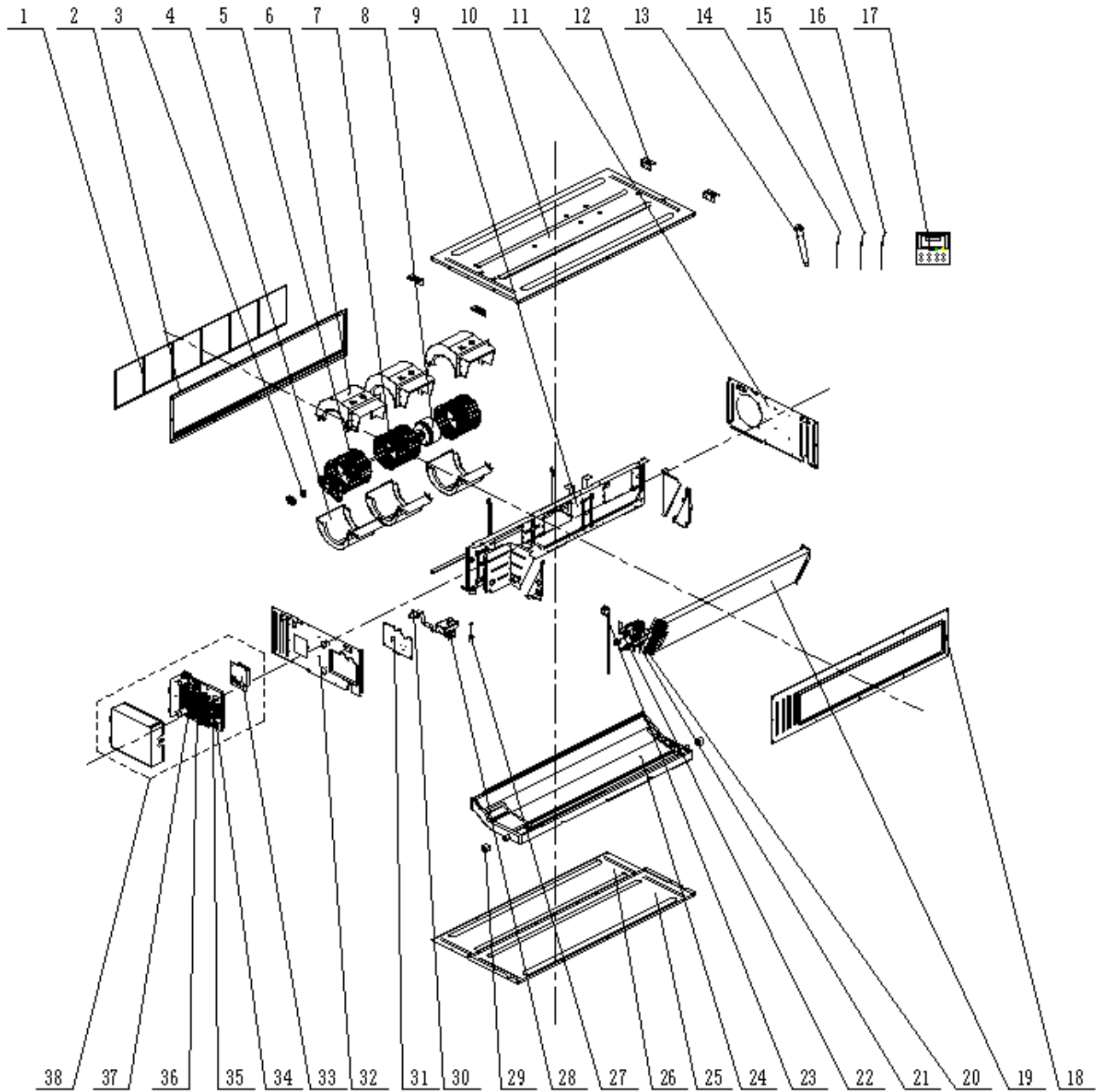


No.	Name of part	For the following unit		For the following unit	
		Unit	Product Code	Unit	Product Code
		GMV-ND56PHS/D-T	CM810N2450	GMV-ND71PHS/D-T	CM810N2460
		GMV-ND63PHS/D-T	CM810N2370	GMV-ND80PHS/D-T	CM810N2360
		Part code	Quantity	Part code	Quantity
1	Filter Sub-Assy	111001000045	2	111001000045	2
2	Return Air Frame Sub-Assy	017026000002	1	017026000002	1
3	Propeller Housing(Lower)	26905200079	2	26905200079	2
4	Centrifugal Fan	10455200003	2	10455200003	2
5	Propeller Housing(Upper)	26905200078	2	26905200078	2
6	Brushless DC Motor	150104060015	1	150104060079	1
7	Blower Mounting Plate Sub-Assy	01325200079	1	01325200079	1

No.	Name of part	For the following unit		For the following unit	
		Unit	Product Code	Unit	Product Code
		GMV-ND56PHS/D-T	CM810N2450	GMV-ND71PHS/D-T	CM810N2460
		GMV-ND63PHS/D-T	CM810N2370	GMV-ND80PHS/D-T	CM810N2360
		Part code	Quantity	Part code	Quantity
8	Top Cover	01265200128	1	01265200128	1
9	Hook	02112466	4	02112466	4
10	Right Side Plate	01315200126	1	01315200126	1
11	Drain Hose	05232046	1	05232046	1
12	Temperature Sensor	3900005910	1	3900005910	1
13	Temperature Sensor	390000592	1	390000592	1
14	Temperature Sensor	390000454	1	390000454	1
15	Display Board	30296000040	1	30296000040	1
16	Air Outlet Frame Sub-assy	01375200025	1	01375200025	1
17	Evaporator Assy	011001061366	1	011001061366	1
18	Strainer	07415210	1	07415210	1
19	Strainer	07213050	1	07213050	1
20	Electronic Expansion Valve	072009060046	1	072009060046	1
21	Electric Expand Valve Fitting	4304413253	1	4304413253	1
22	Choke Plug of Drain Pipe	76815214	2	76815214	2
23	Foam Sub-assy	12505200025	1	12505200025	1
24	Bottom Cover Plate	01265200131	1	01265200131	1
25	Cover Of Air-In	01265200132	1	01265200132	1
26	Liquid Level Switch	430024000005	1	430024000005	1
27	Water Pump	81200706001605	1	81200706001605	1
28	Pump Drainpipe	200070060004	1	200070060004	1
29	Sealplate	012034060117	1	012034060117	1
30	Left Side Plate	012055060290	1	012055060290	1
31	Radiator	430034060043	1	430034060043	1
32	Main Board	300002061336	1	300002061336	1
33	Terminal Board	42200006005404	1	42200006005404	1
34	Terminal board	42000100000202	1	42000100000202	1
35	Main Board	300002060399	1	300094000014	1
36	Inductance	4312800001410	1	4312800001410	1
37	Electric Box Assy	100002074843	1	100002074848	1

Above data is subject to change without notice, pls refer the SP in global service website.

Exploded View of GMV-ND90PHS/D-T, GMV-ND100PHS/D-T, GMV-ND112PHS/D-T, GMV-ND125PHS/D-T, GMV-ND140PHS/D-T, GMV-ND160PHS/D-T:

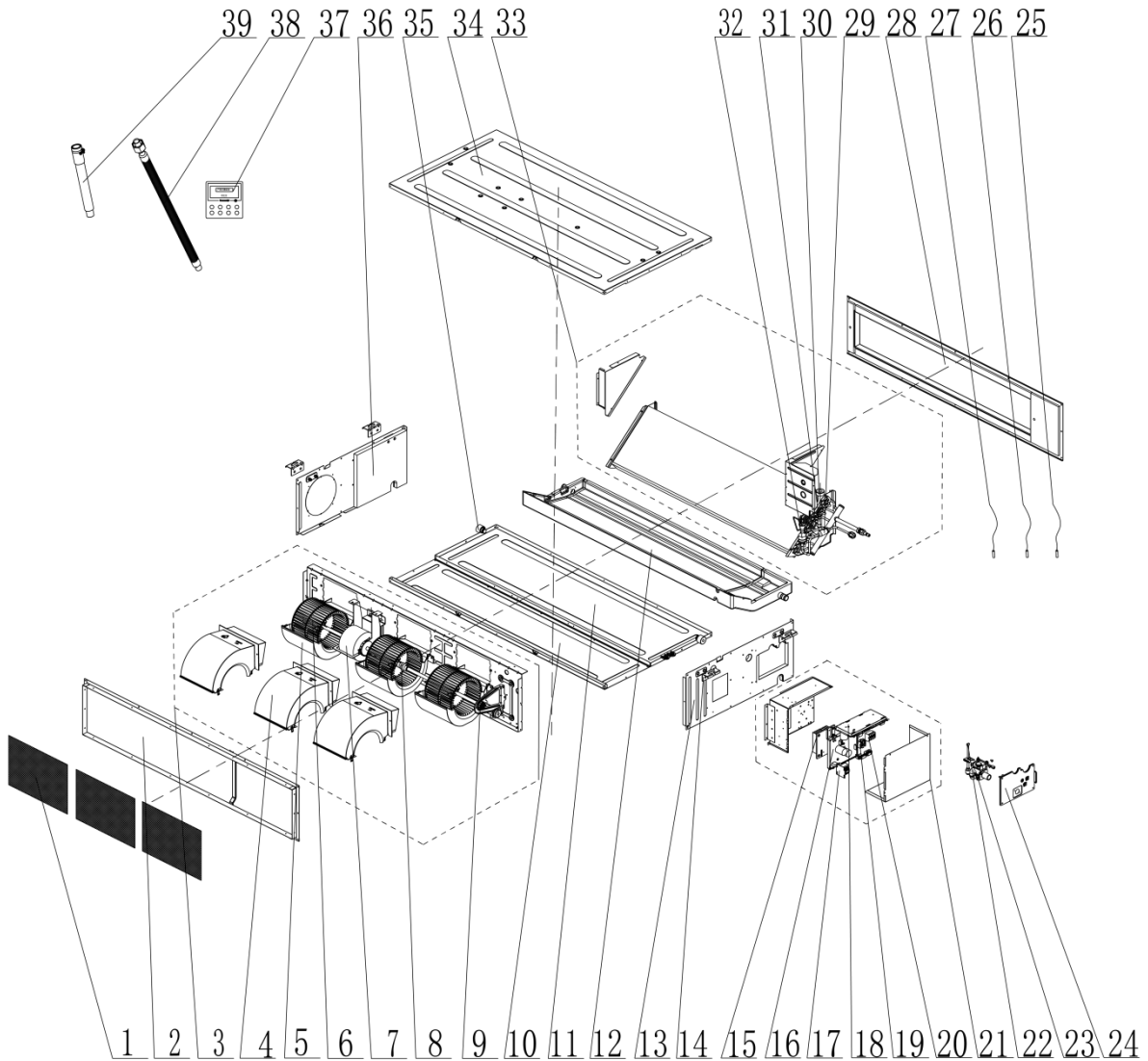


No.	Name of part	For the following unit		For the following unit	
		Unit	Product Code	Unit	Product Code
		GMV-ND90PHS/D-T	CM810N2470	GMV-ND140PHS/D-T	CM810N2530
		GMV-ND100PHS/D-T	CM810N2520	GMV-ND160PHS/D-T	CM810N2380
		GMV-ND112PHS/D-T	CM810N2480	-	-
		GMV-ND125PHS/D-T	CM810N2390	-	-
		Part code	Quantity	Part code	Quantity
1	Filter Sub-Assy	111001000052	3	111001000052	3
2	Return Air Frame Sub-Assy	017026000003	1	017026000003	1
3	Bearing Holder Sub-assy	26151139	1	26151139	1
4	Propeller Housing(Lower)	26905200079	3	26905200079	3
5	Centrifugal Fan	10455200003	3	10455200003	3
6	Propeller Housing(Upper)	26905200078	3	26905200078	3
7	Joint Slack	73018731	1	73018731	1

No.	Name of part	For the following unit		For the following unit	
		Unit	Product Code	Unit	Product Code
		GMV-ND90PHS/D-T	CM810N2470	GMV-ND140PHS/D-T	CM810N2530
		GMV-ND100PHS/D-T	CM810N2520	GMV-ND160PHS/D-T	CM810N2380
		GMV-ND112PHS/D-T	CM810N2480	-	-
		GMV-ND125PHS/D-T	CM810N2390	-	-
		Part code	Quantity	Part code	Quantity
8	Brushless DC Motor	150104060080	1	1570940000801	1
9	Blower Mounting Plate Sub-Assy	01325200076	1	01325200076	1
10	Top Cover	0126520012401	1	0126520012401	1
11	Right Side Plate	01315200126	1	01315200126	1
12	Hook	02112466	4	02112466	4
13	Drain Hose	05232046	1	05232046	1
14	Temperature Sensor	390000454	1	390000454	1
15	Temperature Sensor	390000596	1	390000596	1
16	Temperature Sensor	3900005912	1	3900005912	1
17	Display Board	30296000040	1	30296000040	1
18	Air Outlet Frame Sub-assy	01375200020	1	01375200020	1
19	Evaporator Assy-	011001061341	1	011001061743	1
20	Strainer	07213050	1	07213050	1
21	Strainer	07415210	1	07415210	1
22	Electronic Expansion Valve	072009060045	1	072009060045	1
23	Electric Expand Valve Fitting	4304413253	1	4304413253	1
24	Foam Sub-assy	12505200021	1	12505200021	1
25	Bottom Cover Plate	01265200125	1	01265200125	1
26	Cover Plate(Air return)	01265200123	1	01265200123	1
27	Liquid Level Switch	430024000005	1	430024000005	1
28	Water Pump	81200706001605	1	81200706001605	1
29	Choke Plug of Drain Pipe	76815214	2	76815214	2
30	Pump Drainpipe	200070060004	1	200070060004	1
31	Sealplate	012034060117	1	012034060117	1
32	Left Side Plate	0131410011902	1	0131410011902	1
33	Radiator	4901800006802	1	4901800006803	1
34	Terminal Board	42200006005404	1	42200006005404	1
35	Terminal Board	42011106	1	42011106	1
36	Main Board	300002062100	1	300002062085	1
37	Reactor	43138000047	1	43138000047	1
38	Electric Box Assy	100002072054	1	100002072082	1

Above data is subject to change without notice, pls refer the SP in global service website.

Exploded View of GMV-ND180PHS/D-T



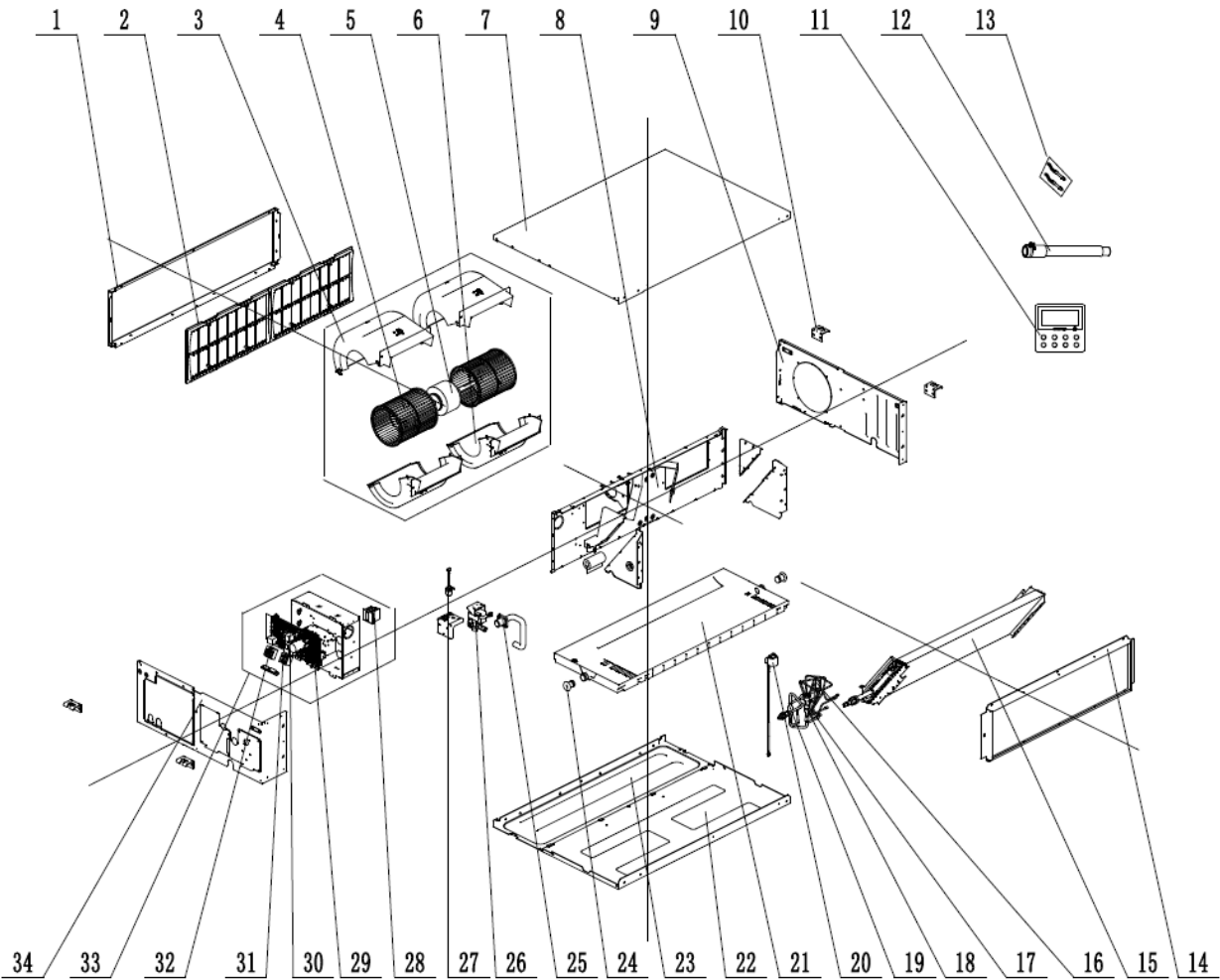
No.	Name of part	For the following unit	
		Unit	Product Code
		GMV-ND180PHS/D-T	CM810N2240
		Part code	Quantity
1	Filter Sub-Assy	111001000052	3
2	Return Air Frame Sub-Assy	017026000003	1
3	Centrifugal fan assy	000052000029	1
4	Propeller Housing(Upper)	269052000078	3
5	Propeller Housing(Lower)	269052000079	3
6	Centrifugal Fan	104552000003	3
7	Brushless DC Motor	1570940000801	1
8	Joint Slack	73018731	1
9	Fan Bearing	7651221001	1
10	Cover Plate(Air return)	01265200123	1
11	Bottom Cover Plate	01265200125	1
12	Foam Sub-assy	125052000021	1
13	Left Side Plate Assy	01314100118	1
14	Hook	02112466	4
15	Radiator	49018000068	1

No.	Name of part	For the following unit	
		Unit	Product Code
		GMV-ND180PHS/D-T	CM810N2240
		Part code	Quantity
16	Main Board	30221000033	1
17	Reactor	43138000047	1
18	Main Board	300002061641	1
19	Terminal Board	42000100000101	1
20	Terminal Board	42200006000401	1
21	Electric Box Assy	100002070712	1
22	Water Level Switch	4502021603	1
23	Water Pump	43138000058	1
24	Seal plate	01495200078	1
25	Temperature Sensor	3900005910	1
26	Temperature Sensor	390000592	1
27	Temperature Sensor	390000454	1
28	Air Outlet Frame Assy	01375200023	1
29	Strainer	0741410000601	1
30	Electric Expand Valve Fitting	4304413253	1
31	Electronic Expansion Valve	07334468	1
32	Strainer	07415210	1
33	Evaporator Assy	011001000237	1
34	Top Cover Board Assy	01264100105	1
35	Choke Plug of Drain Pipe	76815214	2
36	Right Side Plate Assy	01315200148	1
37	Display Board	30296000040	1
38	Corrugated Pipe	035030000005	1
39	Drain Hose Sub-Assy	05232050	1

Above data is subject to change without notice, pls refer the SP in global service website.

5.20 Middle Static Pressure Duct Type Indoor Unit

Exploded View of GMV-ND56PMS/A1-T, GMV-ND63PMS/A1-T, GMV-ND71PMS/A1-T:

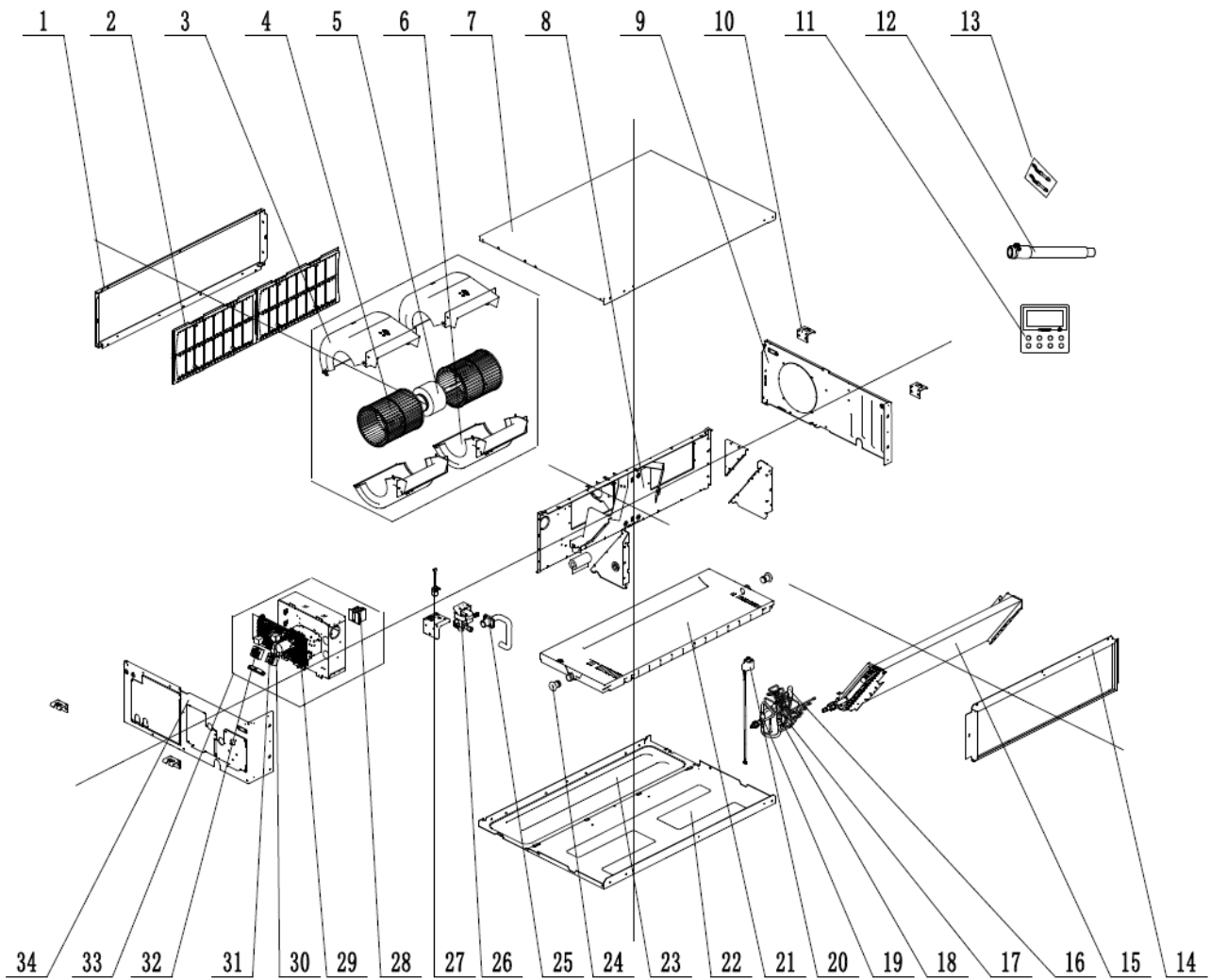


No.	Name of part	For the following unit	
		Unit	Product Code
		GMV-ND56PMS/A1-T	CM810N2800
		GMV-ND63PMS/A1-T	CM810N2790
		GMV-ND71PMS/A1-T	CM810N2720
	Part code	Quantity	
1	Air Intake Side Board Sub-assy	017040060003	1
2	Filter Sub-Assy	111001060189	2
3	Volute Casing	200230060003	2
4	Centrifugal Fan	103003060003	2
5	Brushless DC Motor	150104060011	1
6	Volute Casing	200230060004	2
7	Top Cover	012148060226	1
8	Blower Mounting Plate Sub-Assy	017004060031	1
9	Right Side Plate	012056060344	1
10	Hook	012045060010	4
11	Display Board	300001060921	1
12	Drain Hose	05232046	1
13	Sensor Sub-assy	39004169G	1
14	Air Outlet Frame Assy	000141060058	1
15	Evaporator Assy	011001062324	1

No.	Name of part	For the following unit	
		Unit	Product Code
		GMV-ND56PMS/A1-T	CM810N2800
		GMV-ND63PMS/A1-T	CM810N2790
		GMV-ND71PMS/A1-T	CM810N2720
	Part code	Quantity	
16	Electronic Expansion Valve	072009060046	1
17	Strainer	07213050	1
18	Strainer	035021060019	1
19	Strainer	07213050	1
20	Electric Expand Valve Fitting	4304413253	1
21	Water Tray Assy	000069060554	1
22	Bottom Cover Plate	012147060082	1
23	Cover Of Air-In	012104060002	1
24	Rubber Plug	76815200002	2
25	Drainage Pipe(Rubber)	760022000001	1
26	Water Pump	81200706001607	1
27	Liquid Level Switch	430024000005	1
28	Radiator	430034060043	1
29	Main Board	300002062751	1
30	Main Board	300002060499	1
31	Terminal Board	42011106	1
32	Terminal Board	42200006005404	1
33	Electric Box Assy	100002073908	1
34	Left Side Plate	012055060277	1

Above data is subject to change without notice, pls refer the SP in global service website.

Exploded View of GMV-ND80PMS/A1-T:

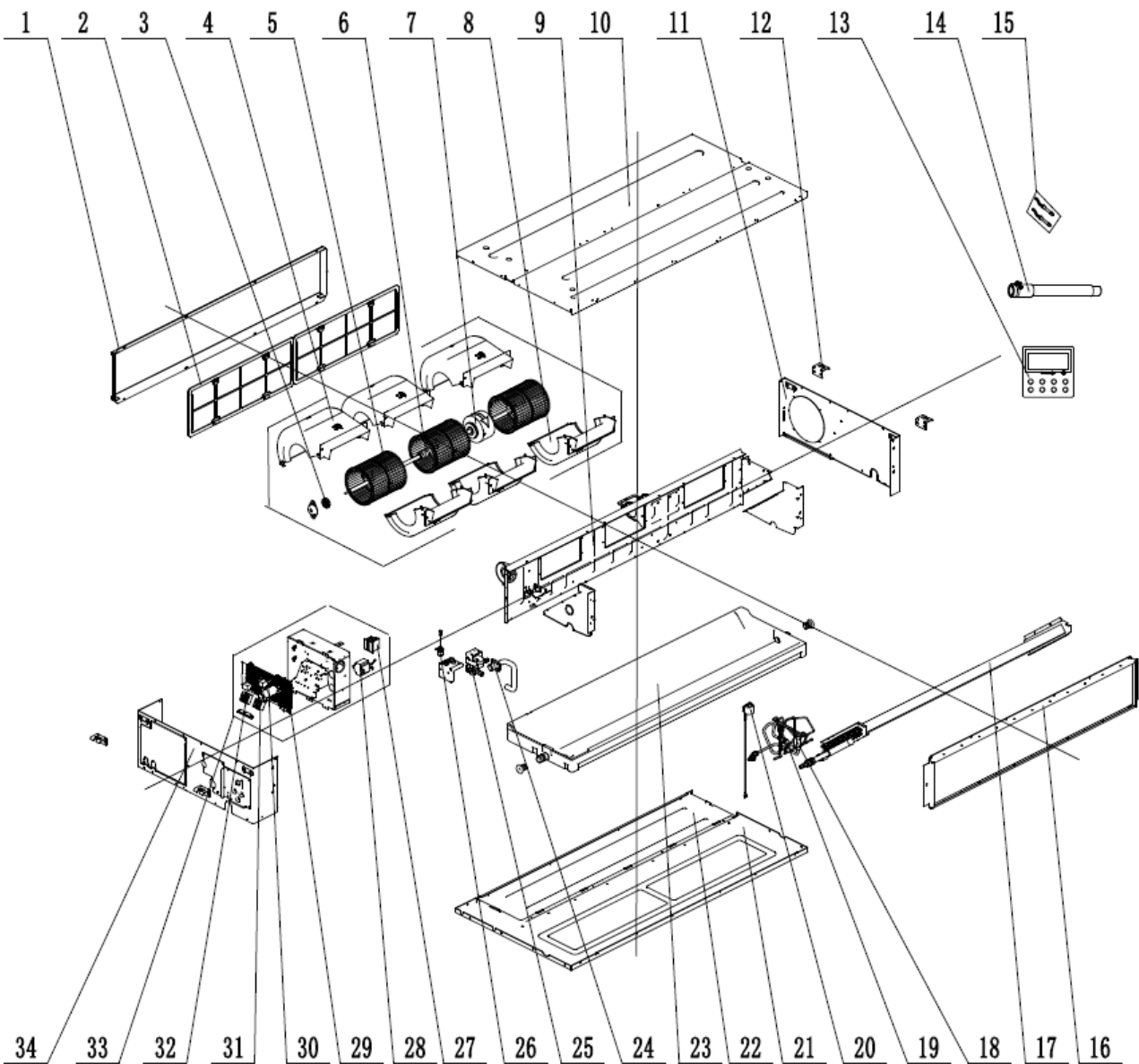


No.	Name of part	For the following unit	
		Unit	Product Code
		GMV-ND80PMS/A1-T	CM810N2750
		Part code	Quantity
1	Air Intake Side Board Sub-assy	017040060003	1
2	Filter Sub-Assy	111001060189	2
3	Volute Casing	200230060003	2
4	Centrifugal Fan	103003060003	2
5	Brushless DC Motor	150104060011	1
6	Volute Casing	200230060004	2
7	Top Cover	012148060226	1
8	Blower Mounting Plate Sub-Assy	017004060031	1
9	Right Side Plate	012056060344	1
10	Hook	012045060010	4
11	Display Board	300001060921	1
12	Drain Hose	05232046	1
13	Sensor Sub-assy	39004169G	1
14	Air Outlet Frame Assy	000141060058	1
15	Evaporator Assy	011001062323	1
16	Electronic Expansion Valve	072009060046	1
17	Strainer	07213050	1

No.	Name of part	For the following unit	
		Unit	Product Code
		GMV-ND80PMS/A1-T	CM810N2750
		Part code	Quantity
18	Strainer	0721212101	1
19	Strainer	0721304401	1
20	Electric Expand Valve Fitting	4304413253	1
21	Water Tray Assy	000069060554	1
22	Bottom Cover Plate	012147060082	1
23	Cover Of Air-In	012104060002	1
24	Rubber Plug	76815200002	2
25	Drainage Pipe(Rubber)	760022000001	1
26	Water Pump	81200706001607	1
27	Liquid Level Switch	430024000005	1
28	Radiator	430034060043	1
29	Main Board	300002062751	1
30	Main Board	300002060499	1
31	Terminal Board	42011106	1
32	Terminal Board	42200006005404	1
33	Electric Box Assy	100002073908	1
34	Left Side Plate	012055060277	1

Above data is subject to change without notice, pls refer the SP in global service website.

Exploded View of GMV-ND90PMS/A1-T、GMV-ND100PMS/A1-T、 GMV-ND112PMS/A1-T、 GMV-ND125PMS/A1-T、 GMV-ND140PMS/A1-T:



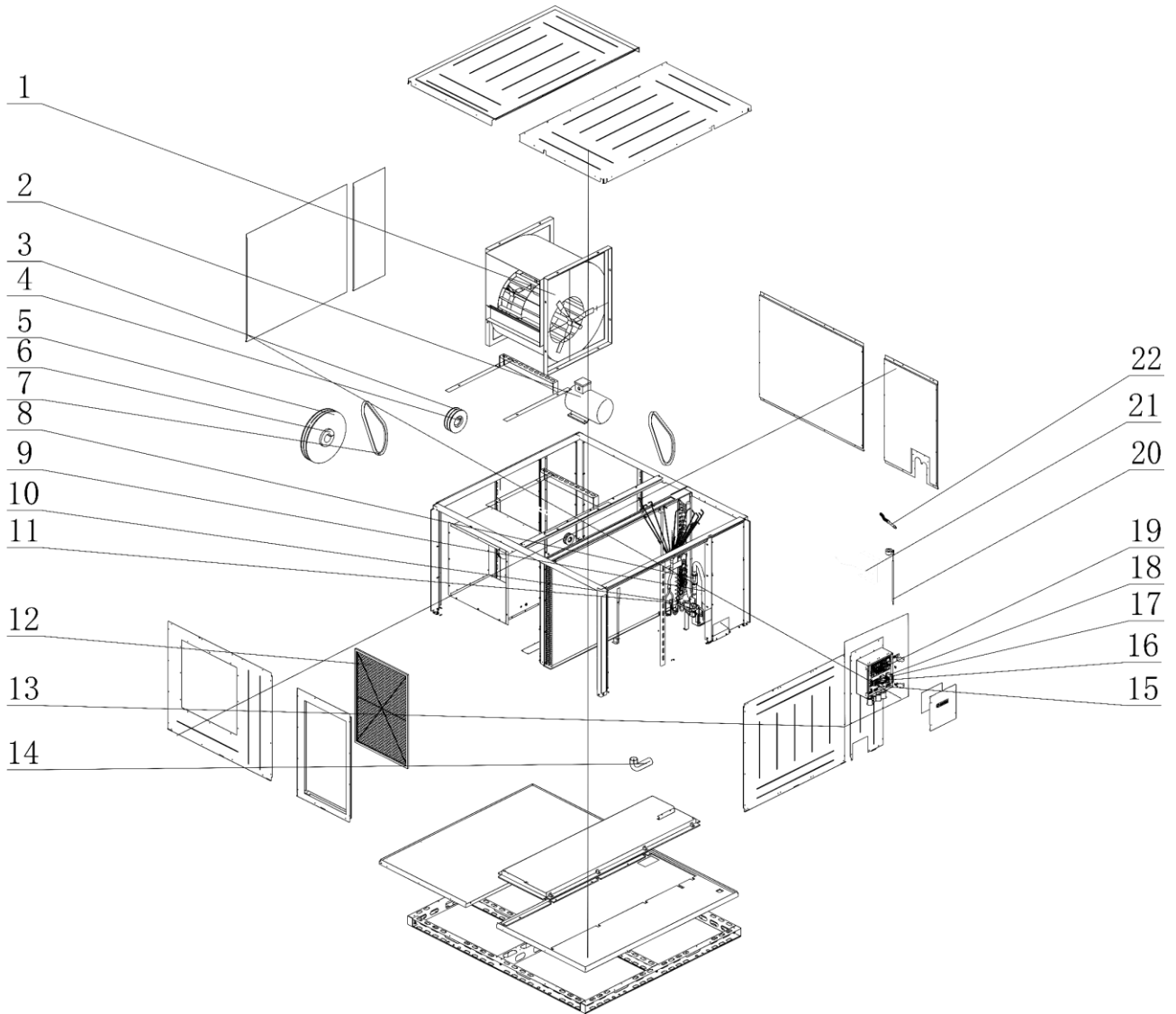
No.	Name of part	For the following unit	
		Unit	Product Code
		GMV-ND90PMS/A1-T	CM810N2780
		GMV-ND100PMS/A1-T	CM810N2770
		GMV-ND112PMS/A1-T	CM810N2740
		GMV-ND125PMS/A1-T	CM810N2760
		GMV-ND140PMS/A1-T	CM810N2730
		Part code	Quantity
1	Air Intake Side Board Sub-assy	02225261	1
2	Filter Sub-Assy	11725206	2
3	Bearing Holder Sub-assy	26151139	1
4	Volute Casing	200230060003	3
5	Centrifugal Fan	103003060003	3
6	Joint Slack	73018731	1
7	Brushless DC Motor	150104060015	1
8	Volute Casing	200230060004	3

No.	Name of part	For the following unit	
		Unit	Product Code
		GMV-ND90PMS/A1-T	CM810N2780
		GMV-ND100PMS/A1-T	CM810N2770
		GMV-ND112PMS/A1-T	CM810N2740
		GMV-ND125PMS/A1-T	CM810N2760
		GMV-ND140PMS/A1-T	CM810N2730
		Part code	Quantity
9	Blower Mounting Plate Sub-Assy	017004060035	1
10	Top Cover	0126534201	1
11	Left Side Plate	012055060293	1
12	Hook	012045060010	4
13	Display Board	300001060921	1
14	Drain Hose	05232046	1
15	Sensor Sub-assy	39004169G	1
16	Border Plate of Air Outlet Sub-Assy	017039060002	1
17	Evaporator Assy	011001061092	1
18	Electronic Expansion Valve	072009060045	1
19	Strainer	0721304401	2
20	Electric Expand Valve Fitting	4304413215	1
21	Bottom Cover Plate	012147060085	1
22	Cover Of Air-In	01265344	1
23	Water Tray Assy	000069060318	1
24	Drainage Pipe(Rubber)	760022000001	1
25	Water Pump	81200706001607	1
26	Water Level Switch	43002400000502	1
27	Radiator	430034060043	1
28	PFC inductor lead	4312800001411	1
29	Main Board	300002061336	1
30	Main Board	300002060399	1
31	Terminal Board	42011106	1
32	Terminal Board	42200006005404	1
33	Electric Box Assy	100002079532	1
34	Right Side Plate	012056060341	1

Above data is subject to change without notice, pls refer the SP in global service website.

5.21 VRF Rooftop Packaged Unit

Exploded View of GMV-N790GK/HA-M, GMV-N790GK/HA-H:



No.	Name of part	For the following unit	
		Unit	Product Code
		GMV-N790GK/HA-M	CM710N0030
		GMV-N790GK/HA-H	CM710N0020
		Part code	Quantity
1	Motor for Centrifugal Fan	10456000007	1
2	Fan Motor	GMV-N790GK/HA-M: 150101000053 GMV-N790GK/HA-H: 150101060579	1
3	Belt Wheel	GMV-N790GK/HA-M: 10548154 GMV-N790GK/HA-H: 10548151	1
4	Taper Sleeve	10548216	1
5	Belt Wheel	012258060006	1
6	Taper Sleeve	10548227	1
7	Belt	76416044	2
8	Strainer	035021060073	1
9	Nozzle for Adding Freon	035114000003	1
10	Gas Tube Filter	072190512	2
11	Electronic Expansion Valve	072009060041	1

No.	Name of part	For the following unit	
		Unit	Product Code
		GMV-N790GK/HA-M	CM710N0030
		GMV-N790GK/HA-H	CM710N0020
		Part code	Quantity
12	Filter Sub-Assy	11100100000603	1
13	Electric Box Assy	100002080378	1
14	Drainage Hose	500043060001	1
15	Terminal Board	42200006005404	1
16	Terminal Board	42010052	1
17	AC Contactor	441007000001	1
18	Phase Reverse Protector	430055060009	1
19	Main Board	300002060941	1
20	Electric Expand Valve Fitting	4304413228	2
21	Display Board	300001060921	1
22	Sensor Sub-Assy	390002060443	1



GREE ELECTRIC APPLIANCES, INC. OF ZHUHAI 519070

Add: West Jinji Rd, Qianshan Zhuhai, Guangdong, China

Tel: (+86-756)8522218

Fax: (+86-756)8669426

E-mail: global@cn.gree.com www.gree.com

JF00302966