



Technical Sales Guide

GMV6 DC INVERTER VRF UNITS

(GC202002-II)

TECHNICAL SALES GUIDE-50/60Hz

CAPACITY RANGE: 22.4~272.0kW

SUPER HIGH AMBIENT OPERATION TO 52°C







CONTENTS

1 UNIT CHARACTERISTICS	1
2 UNIT PARAMETERS	8
3 ELECTRICAL SPECIFICATIONS	14
4 PRODUCT CAPACITY RECTIFICATION	15
5 UNIT NOISE CURVES	108
6 UNIT GRAVITY CENTER DIAGRAMS	110
7 UNIT INSTALLATION SPACE REQUIREMENTS	112
8 PIPING MODEL SELECTION	120
9 COMMUNICATION SYSTEM INTRODUCTION	126
10 EXTERNAL ELECTRICAL WIRING DIAGRAM	132
11 CALCULATION METHOD ON ADDING QUANTITY OF PIPING REFRIGERANT	133
12 NOTICES	134
13 OPTIONAL COMPONENTS	136

1 UNIT CHARACTERISTICS


➔ 1.1 Lineup of Outdoor Unit

GMV6 DC Inverter VRF system: basic models of the full series are 8HP, 10HP, 12HP, 14HP, 16HP, 18HP, 20HP, 22HP and 24HP, integrated model is 26HP-96HP.

HP	Model	Integration method	External view
8	GMV-224WM/G-X	/	
10	GMV-280WM/G-X	/	
12	GMV-335WM/G-X	/	
14	GMV-400WM/G-X	/	
16	GMV-450WM/G-X	/	
18	GMV-504WM/G-X	/	
20	GMV-560WM/G-X	/	
22	GMV-615WM/G-X	/	
24	GMV-680WM/G-X	/	
26	GMV-735WM/G-X	GMV-335WM/G-X+ GMV-400WM/G-X	
28	GMV-785WM/G-X	GMV-335WM/G-X+ GMV-450WM/G-X	
30	GMV-839WM/G-X	GMV-335WM/G-X+ GMV-504WM/G-X	
32	GMV-895WM/G-X	GMV-280WM/G-X+ GMV-615WM/G-X	
34	GMV-950WM/G-X	GMV-335WM/G-X+ GMV-615WM/G-X	
36	GMV-1015WM/G-X	GMV-400WM/G-X+ GMV-615WM/G-X	
38	GMV-1064WM/G-X	GMV-504WM/G-X+ GMV-560WM/G-X	
40	GMV-1119WM/G-X	GMV-504WM/G-X+ GMV-615WM/G-X	
42	GMV-1175WM/G-X	GMV-560WM/G-X+ GMV-615WM/G-X	
44	GMV-1230WM/G-X	GMV-615WM/G-X+ GMV-615WM/G-X	
46	GMV-1295WM/G-X	GMV-615WM/G-X+ GMV-680WM/G-X	
48	GMV-1360WM/G-X	GMV-680WM/G-X+ GMV-680WM/G-X	

HP	Model	Integration method	External view	
50	GMV-1399WM/G-X	GMV-335WM/G-X+ GMV-504WM/G-X+ GMV-560WM/G-X		
52	GMV-1455WM/G-X	GMV-280WM/G-X+ GMV-560WM/G-X+ GMV-615WM/G-X		
54	GMV-1510WM/G-X	GMV-280WM/G-X+ GMV-615WM/G-X+ GMV-615WM/G-X		
56	GMV-1565WM/G-X	GMV-335WM/G-X+ GMV-615WM/G-X+ GMV-615WM/G-X		
58	GMV-1623WM/G-X	GMV-504WM/G-X+ GMV-504WM/G-X+ GMV-615WM/G-X		
60	GMV-1679WM/G-X	GMV-504WM/G-X+ GMV-560WM/G-X+ GMV-615WM/G-X		
62	GMV-1734WM/G-X	GMV-504WM/G-X+ GMV-615WM/G-X+ GMV-615WM/G-X		
64	GMV-1790WM/G-X	GMV-560WM/G-X+ GMV-615WM/G-X+ GMV-615WM/G-X		
66	GMV-1845WM/G-X	GMV-615WM/G-X+ GMV-615WM/G-X+ GMV-615WM/G-X		
68	GMV-1910WM/G-X	GMV-615WM/G-X+ GMV-615WM/G-X+ GMV-680WM/G-X		
70	GMV-1975WM/G-X	GMV-615WM/G-X+ GMV-680WM/G-X+ GMV-680WM/G-X		
72	GMV-2040WM/G-X	GMV-680WM/G-X+ GMV-680WM/G-X+ GMV-680WM/G-X		
74	GMV-2069WM/G-X	GMV-335WM/G-X+ GMV-504WM/G-X+ GMV-615WM/G-X+ GMV-615WM/G-X		

GMV6 DC Inverter VRF Units Technical Sales Guide

HP	Model	Integration method	External view
76	GMV-2129WM/G-X	GMV-450WM/G-X+ GMV-504WM/G-X+ GMV-560WM/G-X+ GMV-615WM/G-X	
78	GMV-2190WM/G-X	GMV-400WM/G-X+ GMV-560WM/G-X+ GMV-615WM/G-X+ GMV-615WM/G-X	
80	GMV-2245WM/G-X	GMV-400WM/G-X+ GMV-615WM/G-X+ GMV-615WM/G-X+ GMV-615WM/G-X	
82	GMV-2295WM/G-X	GMV-560WM/G-X+ GMV-560WM/G-X+ GMV-560WM/G-X+ GMV-615WM/G-X	
84	GMV-2350WM/G-X	GMV-560WM/G-X+ GMV-560WM/G-X+ GMV-615WM/G-X+ GMV-615WM/G-X	
86	GMV-2414WM/G-X	GMV-504WM/G-X+ GMV-615WM/G-X+ GMV-615WM/G-X+ GMV-680WM/G-X	
88	GMV-2470WM/G-X	GMV-560WM/G-X+ GMV-615WM/G-X+ GMV-615WM/G-X+ GMV-680WM/G-X	
90	GMV-2525WM/G-X	GMV-615WM/G-X+ GMV-615WM/G-X+ GMV-615WM/G-X+ GMV-680WM/G-X	
92	GMV-2590WM/G-X	GMV-615WM/G-X+ GMV-615WM/G-X+ GMV-680WM/G-X+ GMV-680WM/G-X	
94	GMV-2655WM/G-X	GMV-615WM/G-X+ GMV-680WM/G-X+ GMV-680WM/G-X+ GMV-680WM/G-X	
96	GMV-2720WM/G-X	GMV-680WM/G-X+ GMV-680WM/G-X+ GMV-680WM/G-X+ GMV-680WM/G-X	



1.2 Product Functions and Features

Gree GMV6 DC inverter multi VRF system adopts the advanced technologies such as efficient low-temperature enthalpy-adding system, partition heat exchange flow path, subcooling design, integrated aluminium electronic control, reliable operation control under ultra low temperature and so on, so the unit can operate smoothly between $-30\text{ }^{\circ}\text{C} \sim 52\text{ }^{\circ}\text{C}$. It provides comfortable environment for the user no matter in severe cold or intense heat. The capacity range of GMV6 is 22.4kW ~ 272kW, from 8HP ~ 96HP, 45 models in total. Wide capacity range and flexible combination. It can be applied to the commercial occasions like large office building, production factory, large malls or residential villa.

Compared with GMV5, GMV6 series can not only realize low temperature heating function, operation range under low and high temperature is wider, but also has all the functions of GMV5.

Energy-efficient

Thanks to the advanced full DC inverter technology, optimized AC system design and precise intelligent control technology.

➤ Efficient DC inverter low temperature enthalpy-adding scroll compressor

The compressor adopts the high pressure chamber of excellent performance. It inhales directly and reduce the overheat loss to improve compression efficiency.

Adopting the high-efficiency permanent synchronous motor, its rotor is permanent magnet, the stator is intertwined centrally and the efficiency is higher than the normal DC inverter compressor.

➤ Sensorless DC inverter fan motor

The DC inverter motor adopts the electromotive force to realize electrodeless speed regulation between 5Hz-90Hz. Compared with normal DC inverter motor, its operation current is smaller, input motor power is lower and efficiency is greatly enhanced.

➤ Leading torque control technology

It processes minimum current and maximum torque control technology

Utilize DC inverter compressor rotor magnetic resistance torque effectively, allowing the minimum current to output the maximum torque, reducing motor winding loss and realizing higher efficiency.

Directly control the motor torque to realize ultra low speed operation of DC inverter fan motor, torque pulsation is small, satisfying system demand while achieving comfort of higher requirement.

Quiet

Gree DC inverter multi VRF system fully considers comfort requirement, the humanized technology upgrade the comfort perfectly. The wider operation range of the unit ensures normal operation under severe cold or intense heat; quiet effect is better, creating a quiet working and living environment.

➤ Quiet mode of ODU

◆ Quiet at night

The system will memorize and judge the highest outdoor temperature. When the system is operating at night in low load, it will enter quiet mode automatically. Based on actual application occasion, 9 kinds of quiet mode can be set.

For example, it will enter night operation mode automatically after operating for 8h, then it enters normal mode after 9h.

◆ Compulsory quiet

When the unit is installed in the locations with lower noise requirement, quiet operation is necessary no matter in the daytime or evening, at this time, you can have three kinds of compulsory quiet mode setting to ensure that the unit is operated under low noise mode at any time. The lowest noise value is as low as 40dB (A).

➤ Quiet mode of IDU

IDU also adopts DC inverter motor to realize the electrodeless adjustment of speed regulation, reduce noise value greatly, sets auto quiet mode for IDU through wired controller. Start auto quiet function according to indoor temperature and people activity, the noise is as low as 22dB (A).

Leading technology ensures stable reliability

Gree DC inverter multi VRF system is famous in the industry with the advanced technology. After ten years of research and experiment, the technology of DC inverter multi system is more mature. From electrical component to mechanical assembly and control technology to communication technology, Gree DC inverter multi VRF has been upgraded comprehensively. The continued technology innovation will surely bring more reliable and efficient services for the user.

➤ Oil return control technology

Gree has two exclusive oil return control technologies.

◆ New generation of oil return control

Gree new generation of oil return control technology has implanted pressure control oil return technology, through pressure control, it controls system oil return and oil storage status of each compressor effectively, thus improving the service life of compressor greatly.

◆ Exclusive oil storage technology of compressor

Gree DC inverter unit has exclusive compressor oil storage technology and it controls the minimum oil level required when operating the compressor by judging the parameter.

➤ Refrigerant storage and distribution technology

Adopt non-accumulator system circuit, reduce refrigerant charge drastically and improve system refrigerant control precision, then store the surplus refrigerant in the pipe.

➤ Balancing oil control technology

◆ Balancing oil technology among modules

Change the defect of traditional timer oil return; it's needless to turn off the unit to balance the oil, judge the operation status of each module and compressor, calculate the oil reserve capacity of compressor, adjust the operation status of compressor to realize oil balance among modules. The non-balancing oil pipe design ensures the reliability and will not affect the capacity output of the system to maintain AC comfort.

◆ Oil balance technology among compressor

The refrigerant has a suction pipe in the compression working chamber of the compressor, and is compressed and discharged into the cavity of the totally enclosed compressor, and then flows through the refrigeration system through the exhaust pipe. According to the principle of motion fluid mechanics and the actual amount of oil required in the working process of the compressor, the height of the oil balance pipe is determined, the oil level of the oil pool is controlled; the minimum oil quantity required for each compressor during operation is ensured to realize the oil balance among the compressors.

➤ Cooling adopts the subcooling control technology to reduce cooling capacity substantially

New generation of efficient plate subcooler and condensate depression control method is adopted, the maximum condensate depression is 35°C, AC effect is more obvious.

➤ Unique comfort control

ODU adopts dual electronic expansion valve for adjustment, the grade of main electronic expansion valve is 3,000 and the subcooling electronic expansion valve is 480, precisely controlling the flow of modules in IDU and ODU.

Considering the installation characteristic (IDU type, pipe length, fall etc.), actual startup rate of IDU, ambient indoor and outdoor temperature, diversified system startup is realized under different ambient temperature and installation condition, the fastest startup is completed in 75s.

Humanized operation

➤ Auto address allocation and non-polarity communication;

➤ Auto debugging and error detection

➤ Five kinds of auto debugging function

◆ Auto allocation of IDU and ODU address

◆ Auto detection of IDU and ODU quantity

◆ Auto detection of internal error of the unit

- ◆ Start operation debugging automatically
- ◆ Real-time judgment of pipeline abnormality
- The unit has three emergency functions of module, compressor and fan;
- The unit has two methods of recycling refrigerant.

Intelligent management

- Dual energy saving operation mode;

With the deepening of energy conservation and emission reduction and the stricter national requirements to urban electricity consumption, especially in summer, the peak season of electricity consumption, many cities will introduce corresponding power-limiting measures. Gree DC inverter multi VRF system has two energy-saving modes for users to choose freely to meet the requirement on peak power consumption and power-limiting.

- ◆ Energy saving mode 1: When the unit is set in auto energy saving operation, the system will adjust the control target parameter automatically, which greatly reduces the power consumption quantity of the unit, energy saving rate is as high as 15%.

- ◆ Energy saving mode 2: When the unit is set in compulsory energy saving operation, the system will realize 20% of energy conservation at the most through limiting electric quantity output compulsorily.

- Energy consumption analysis and solution
- Emergency stop

Long distance monitoring is needless, ODU will introduce the fire alarm linkage signal directly, under emergency situation, it will stop the unit for operation immediately to avoid bigger losses.

- Partition management

Super-long piping distance design, the maximum length of total pipe is 1,000m

Compared with traditional screw chiller, the advantage of DC inverter multi VRF system is the easy and convenient piping. Gree DC inverter multi VRF system is more outstanding in the aspect of actual piping, enabling the AC system to be applied to all kinds of architecture, reducing installation cost of the user.

Cooling only system, the maximum attachable quantity of IDU is 100 sets

The attachable quantity of single system of most of the multi VRF systems in current market is 64 sets, while Gree DC inverter multi VRF system is integrated with several modular unit and can connect 100 sets of IDUs at the most, which is more applicable for large commercial office buildings, apartment or hotels.

* 100 sets should be engineering customized.

Wide operation range

Operation range of temperature: cooling $-5 \sim 52^{\circ}\text{C}$ and heating $-30 \sim 24^{\circ}\text{C}$.

New modular load allocation control

Choose unit module according to the operation status to realize efficient operation among modular unit, reduce energy consumption loss and improve energy efficiency of operation, which will enhance the reliability of the unit.

ODU high static pressure design with flexible choice

ODU will choose the corresponding static pressure according to architectural form, the maximum can be 110Pa, especially for the occasions which need to place the ODU inside the house.

1.3 Nomenclature

GMV	□	-	□	□	□	□	W	□	/	□	□	□	(□)
1	2		3	4	5	6	7	8		9	10	11	12
No.	Meaning		Remark										
1	Code of multi VRF system		GMV-Gree Multi VRF Units										
2	Climate type		T1-omit T2-low temperature T3-high temperature										
3	RAC or CAC		Residential-H Commercial-omit										
4	Unit type		DC inverter-omit										
5	Function code		Q-heat recovery model, S-water heater, W-water cooled unit X-air processing unit, Z-reheat dehumidifier, Y-PV unit G-high sensible heat unit, V-low temperature heat pump unit, XR-thermal storage unit No code if the above functions are missing										
6	Cooling capacity code		Nominal cooling capacity/100(W)										
7	ODU		W-outdoor unit										
8	Unit structure classification		M-Modular (top discharge) L-Non-modular side discharge P-Non-modular TTW No code-Non-modular top discharge										
9	Refrigerant		Omit-R410A R32-Nh										
10	Design No.		A, B, C or 1, 2, 3...										
11	Power supply		Within the range of 7,000~18,000W, single-phase power-omit; three-phase power-S										
12	Power supplement code		AC electricity——omit DC electricity——(Z)										

2 UNIT PARAMETERS

Model(integrated unit)		—		—		—		—		
Model(single unit)		GMV-224WM/G-X		GMV-280WM/G-X		GMV-335WM/G-X		GMV-400WM/G-X		
Cooling capacity	kW	22.4		28.0		33.5		40.0		
Heating capacity	kW	25.0		31.5		37.5		45.0		
Noise	dB(A)	56		57		59		59		
Outdoor static pressure	Pa	0/110		0/110		0/110		0/110		
Compressor quantity	set	1		1		1		1		
Refrigeration oil No. of compressor	-	FV68H		FV68H		FV68H		FV68H		
Refrigeration oil charge	Gross	L	4.6		4.6		4.6		6.1	
	Compressor charge	L	1.1		1.1		1.1		1.1	
	The others	L	3.5		3.5		3.5		5	
Power		380V-415V 3N~50Hz/60Hz		380V-415V 3N~50Hz/60Hz		380V-415V 3N~50Hz/60Hz		380V-415V 3N~50Hz/60Hz		
Power consumption	Cooling	kW	5.00		6.20		7.70		9.20	
	Heating	kW	4.80		5.90		7.80		9.50	
Size(W×D×H)	mm	930×775×1690		930×775×1690		930×775×1690		1340×775×1690		
Waterproof level		IPX4		IPX4		IPX4		IPX4		
Connection pipe	Gas pipe	mm	Φ19.05		Φ22.2		Φ25.4		Φ25.4	
	Liquid pipe	mm	Φ9.52		Φ9.52		Φ12.7		Φ12.7	
	Connection method	Welding connection		Welding connection		Welding connection		Welding connection		
Net weight	kg	215		215		220		290		
Rated power input	kW	12.87		13.15		13.50		18.18		
Rated current	A	23		23.5		24.1		32.5		
Max. fuse current	A	25		25		25		40		

Model (integrated unit)		—		—		—		—		
Model (single unit)		GMV-450WM/G-X		GMV-504WM/G-X		GMV-560WM/G-X		GMV-615WM/G-X		
Cooling capacity	kW	45.0		50.4		56.0		61.5		
Heating capacity	kW	50.0		56.5		63.0		69.0		
Noise	dB(A)	60		61		62		63		
Outdoor static pressure	Pa	0/110		0/110		0/110		0/110		
Compressor quantity	Set	1		1		2		2		
Refrigeration oil No. of compressor	-	FV68H		FV68H		FV68H		FV68H		
Refrigeration oil charge	Gross	L	6.1		6.1		7.2		7.2	
	Compressor charge	L	1.1		1.1		2.2		2.2	
	The others	L	5		5		5		5	
Power		380V-415V 3N~50Hz/60Hz		380V-415V 3N~50Hz/60Hz		380V-415V 3N~50Hz/60Hz		380V-415V 3N~50Hz/60Hz		
Rated power	Cooling	kW	10.80		12.30		13.80		16.20	
	Heating	kW	10.70		12.90		13.10		16.90	
Size(W×D×H)	mm	1340×775×1690		1340×775×1690		1340×775×1690		1340×775×1690		
Waterproof level		IPX4		IPX4		IPX4		IPX4		
Connection pipe	Gas pipe	mm	Φ28.6		Φ28.6		Φ28.6		Φ28.6	
	Liquid pipe	mm	Φ12.7		Φ15.9		Φ15.9		Φ15.9	
	Connection method	Welding connection		Welding connection		Welding connection		Welding connection		
Net weight	kg	290		295		350		350		
Rated power input	kW	18.74		26.30		26.85		27.41		
Rated current	A	33.5		47		48		49		
Max. fuse current	A	40		50		50		50		

GMV6 DC Inverter VRF Units Technical Sales Guide

Model (integrated unit)		—		GMV-735WM/G-X	GMV-785WM/G-X	GMV-839WM/G-X
Model (single unit)		GMV-680WM/G-X		GMV-335WM/ G-X+GMV-400WM/ G-X	GMV-335WM/ G-X+GMV-450WM/ G-X	GMV-335WM/ G-X+GMV-504WM/ G-X
Cooling capacity	kW	68.0	73.5	78.5	83.9	
Heating capacity	kW	76.5	82.5	87.5	94.0	
Noise	dB(A)	64	62	63	64	
Outdoor static pressure	Pa	0/110	0/110	0/110	0/110	
Compressor quantity	Set	2	/	/	/	
Refrigeration oil No. of compressor	-	FV68H	/	/	/	
Refrigeration oil charge	Gross	L	7.2	/	/	/
	Compressor charge	L	2.2	/	/	/
	The others	L	5	/	/	/
Power		380V-415V 3N~ 50Hz/60Hz		380V-415V 3N~ 50Hz/60Hz	380V-415V 3N~ 50Hz/60Hz	380V-415V 3N~ 50Hz/60Hz
Power consumption	Cooling	kW	20.50	7.70+9.20	7.70+10.80	7.70+12.3
	Heating	kW	20.10	7.80+9.50	7.80+10.70	7.80+12.9
Size(W×D×H)	mm	1340×775×1690	930×775×1690+ 1340×775×1690	930×775×1690+ 1340×775×1690	930×775×1690+ 1340×775×1690	
Waterproof level		IPX4		IPX4	IPX4	IPX4
Connection pipe	Gas pipe	mm	Φ28.6	Φ31.8	Φ31.8	Φ31.8
	Liquid pipe	mm	Φ15.9	Φ19.05	Φ19.05	Φ19.05
	Connection method	Welding connection		Welding connection	Welding connection	Welding connection
Net weight	kg	355	220+290	220+290	220+295	
Rated power input	kW	27.41	13.50+18.18	13.50+18.74	13.50+26.30	
Rated current	A	49	24.1+32.5	24.1+33.5	24.1+47	
Max. fuse current	A	50	25+40	25+40	25+50	
Model (integrated unit)		GMV-895WM/G-X		GMV-950WM/G-X	GMV-1015WM/G-X	GMV-1064WM/G-X
Model (single unit)		GMV-280WM/G-X+ GMV-615WM/G-X		GMV-335WM/G-X+ GMV-615WM/G-X	GMV-400WM/G-X+ GMV-615WM/G-X	GMV-504WM/G-X+ GMV-560WM/G-X
Cooling capacity	kW	89.5	95.0	101.5	106.4	
Heating capacity	kW	100.5	106.5	114.0	119.5	
Noise	dB(A)	64	65	65	65	
Outdoor static pressure	Pa	0/110	0/110	0/110	0/110	
Power		380V-415V 3N~ 50Hz/60Hz		380V-415V 3N~ 50Hz/60Hz	380V-415V 3N~ 50Hz/60Hz	380V-415V 3N~ 50Hz/60Hz
Power consumption	Cooling	kW	6.2+16.2	7.7+16.2	9.2+16.2	12.3+13.8
	Heating	kW	5.9+16.9	7.8+16.9	9.5+16.9	12.9+13.1
Size(S×D×H)	mm	930×775×1690+ 1340×775×1690	930×775×1690+ 1340×775×1690	1340×775×1690+ 1340×775×1690	1340×775×1690+ 1340×775×1690	
Waterproof level		IPX4		IPX4	IPX4	IPX4
Connection pipe	Gas pipe	mm	Φ31.8	Φ31.8	Φ38.1	Φ38.1
	Liquid pipe	mm	Φ19.05	Φ19.05	Φ19.05	Φ19.05
	Connection method	Welding connection		Welding connection	Welding connection	Welding connection
Net weight	kg	215+350	220+350	290+350	295+350	
Rated power input	kW	13.15+27.41	13.50+27.41	18.18+27.41	26.30+26.85	
Rated current	A	23.5+49	24.1+49	32.5+49	47+48	
Max. fuse current	A	25+50	25+50	40+50	50+50	

Model (integrated unit)			GMV-1119WM/G-X	GMV-1175WM/G-X	GMV-1230WM/G-X	GMV-1295WM/G-X
Model (single unit)			GMV-504WM/G-X+ GMV-615WM/G-X	GMV-560WM/G-X+ GMV-615WM/G-X	GMV-615WM/G-X+ GMV-615WM/G-X	GMV-615WM/G-X+ GMV-680WM/G-X
Cooling capacity	kW		111.9	117.5	123.0	129.5
Heating capacity	kW		125.5	132.0	138.0	145.5
Noise	dB(A)		65	65	65	65
Outdoor static pressure	Pa		0/110	0/110	0/110	0/110
Power			380V-415V 3N~ 50Hz/60Hz	380V-415V 3N~ 50Hz/60Hz	380V-415V 3N~ 50Hz/60Hz	380V-415V 3N~ 50Hz/60Hz
Power consumption	Cooling	kW	12.3+16.2	13.8+16.2	16.2+16.2	16.2+20.5
	Heating	kW	12.9+16.9	13.1+16.9	16.9+16.9	16.9+20.1
Size(W×D×H)	mm		1340×775×1690+ 1340×775×1690	1340×775×1690+ 1340×775×1690	1340×775×1690+ 1340×775×1690	1340×775×1690+ 1340×775×1690
Waterproof level			IPX4	IPX4	IPX4	IPX4
Connection pipe	Gas pipe	mm	Φ38.1	Φ38.1	Φ38.1	Φ38.1
	Liquid pipe	mm	Φ19.05	Φ19.05	Φ19.05	Φ19.05
	Connection method		Welding connection	Welding connection	Welding connection	Welding connection
Net weight	kg		295+350	350+350	350+350	350+355
Rated power input	kW		26.30+27.41	26.85+27.41	27.41+27.41	27.41+27.41
Rated current	A		47+49	48+49	49+49	49+49
Max. fuse current	A		50+50	50+50	50+50	50+50

Model (integrated unit)			GMV-1360WM/G-X	GMV-1399WM/G-X	GMV-1455WM/G-X	GMV-1510WM/G-X
Model (single unit)			GMV-680WM/G-X+ GMV-680WM/G-X	GMV-335WM/G-X+ GMV-504WM/G-X+ GMV-560WM/G-X	GMV-280WM/G-X+ GMV-560WM/G-X+ GMV-615WM/G-X	GMV-280WM/G-X+ GMV-615WM/G-X+ GMV-615WM/G-X
Cooling capacity	kW		136.0	139.9	145.5	151.0
Heating capacity	kW		153.0	157.0	163.5	169.5
Noise	dB(A)		65	66	66	67
Outdoor static pressure	Pa		0/110	0/110	0/110	0/110
Power			380V-415V 3N~ 50Hz/60Hz	380V-415V 3N~ 50Hz/60Hz	380V-415V 3N~ 50Hz/60Hz	380V-415V 3N~ 50Hz/60Hz
Power consumption	Cooling	kW	20.5+20.5	7.7+12.3+13.8	6.2+13.8+16.2	6.2+16.2+16.2
	Heating	kW	20.1+20.1	7.8+12.9+13.1	5.9+13.1+16.9	5.9+16.9+16.9
Size (W×D×H)	mm		1340×775×1690+ 1340×775×1690	930×775×1690+ 1340×775×1690+ 1340×775×1690	930×775×1690+ 1340×775×1690+ 1340×775×1690	930×775×1690+ 1340×775×1690+ 1340×775×1690
Waterproof level			IPX4	IPX4	IPX4	IPX4
Connection pipe	Gas pipe	mm	Φ41.3	Φ41.3	Φ41.3	Φ41.3
	Liquid pipe	mm	Φ19.05	Φ19.05	Φ19.05	Φ19.05
	Connection method		Welding connection	Welding connection	Welding connection	Welding connection
Net weight	kg		355+355	220+295+350	215+350+350	215+350+350
Rated power input	kW		27.41+27.41	13.50+26.30+26.85	13.15+26.85+27.41	13.15+27.41+27.41
Rated current	A		49+49	24.1+47+48	23.5+48+49	23.5+49+49
Max. fuse current	A		50+50	25+50+50	25+50+50	25+50+50

GMV6 DC Inverter VRF Units Technical Sales Guide

Model (integrated unit)		GMV-1565WM/G-X	GMV-1623WM/G-X	GMV-1679WM/G-X	GMV-1734WM/G-X
Model (single unit)		GMV-335WM/G-X+ GMV-615WM/G-X+ GMV-615WM/G-X	GMV-504WM/G-X+ GMV-504WM/G-X+ GMV-615WM/G-X	GMV-504WM/G-X+ GMV-560WM/G-X+ GMV-615WM/G-X	GMV-504WM/G-X+ GMV-615WM/G-X+ GMV-615WM/G-X
Cooling capacity	kW	156.5	162.3	167.9	173.4
Heating capacity	kW	175.5	182.0	188.5	194.5
Noise	dB(A)	67	67	67	67
Outdoor static pressure	Pa	0/110	0/110	0/110	0/110
Power		380V-415V 3N~ 50Hz/60Hz	380V-415V 3N~ 50Hz/60Hz	380V-415V 3N~ 50Hz/60Hz	380V-415V 3N~ 50Hz/60Hz
Power consumption	Cooling	kW	7.7+16.2+16.2	12.3+12.3+16.2	12.3+13.8+16.2
	Heating	kW	7.8+16.9+16.9	12.9+12.9+16.9	12.3+13.1+16.9
Size(W×D×H)		mm	930×775×1690+ 1340×775×1690+ 1340×775×1690	1340×775×1690+ 1340×775×1690+ 1340×775×1690	1340×775×1690+ 1340×775×1690+ 1340×775×1690
Waterproof level			IPX4	IPX4	IPX4
Connection pipe	Gas pipe	mm	Φ41.3	Φ41.3	Φ41.3
	Liquid pipe	mm	Φ19.05	Φ19.05	Φ19.05
	Connection method			Welding connection	Welding connection
Net weight		kg	220+350+350	295+295+350	295+350+350
Rated power input		kW	13.50+27.41+27.41	26.30+26.30+27.41	26.30+26.85+27.41
Rated current		A	24.1+49+49	47+47+49	47+48+49
Max. fuse current		A	25+50+50	50+50+50	50+50+50

Model (integrated unit)		GMV-1790WM/G-X	GMV-1845WM/G-X	GMV-1910WM/G-X	GMV-1975WM/G-X
Model (single unit)		GMV-560WM/G-X+ GMV-615WM/G-X+ GMV-615WM/G-X	GMV-615WM/G-X+ GMV-615WM/G-X+ GMV-615WM/G-X	GMV-615WM/G-X+ GMV-615WM/G-X+ GMV-680WM/G-X	GMV-615WM/G-X+ GMV-680WM/G-X+ GMV-680WM/G-X
Cooling capacity	kW	179.0	184.5	191.0	197.5
Heating capacity	kW	201.0	207.0	214.5	222.0
Noise	dB(A)	68	68	69	69
Outdoor static pressure	Pa	0/110	0/110	0/110	0/110
Power		380V-415V 3N~ 50Hz/60Hz	380V-415V 3N~ 50Hz/60Hz	380V-415V 3N~ 50Hz/60Hz	380V-415V 3N~ 50Hz/60Hz
Power consumption	Cooling	kW	13.8+16.2+16.2	16.2+16.2+16.2	16.2+16.2+20.5
	Heating	kW	13.1+16.9+16.9	16.9+16.9+16.9	16.9+16.9+20.1
Size(W×D×H)		mm	1340×775×1690+ 1340×775×1690+ 1340×775×1690	1340×775×1690+ 1340×775×1690+ 1340×775×1690	1340×775×1690+ 1340×775×1690+ 1340×775×1690
Waterproof level			IPX4	IPX4	IPX4
Connection pipe	Gas pipe	mm	Φ41.3	Φ41.3	Φ44.5
	Liquid pipe	mm	Φ19.05	Φ19.05	Φ22.2
	Connection method			Welding connection	Welding connection
Net weight		kg	350+350+350	350+350+350	350+350+355
Rated power input		kW	26.85+27.41+27.41	27.41+27.41+27.41	27.41+27.41+27.41
Rated current		A	48+49+49	49+49+49	49+49+49
Max. fuse current		A	50+50+50	50+50+50	50+50+50

Model (integrated unit)			GMV-2040WM/G-X	GMV-2069WM/G-X	GMV-2129WM/G-X	GMV-2190WM/G-X
Model (single unit)			GMV-680WM/G-X+ GMV-680WM/G-X+ GMV-680WM/G-X	GMV-335WM/G-X+ GMV-504WM/G-X+ GMV-615WM/G-X+ GMV-615WM/G-X	GMV-450WM/G-X+ GMV-504WM/G-X+ GMV-560WM/G-X+ GMV-615WM/G-X	GMV-400WM/G-X+ GMV-560WM/G-X+ GMV-615WM/G-X+ GMV-615WM/G-X
Cooling capacity	kW		204.0	206.9	212.9	219.0
Heating capacity	kW		229.5	232.0	238.5	246.0
Noise	dB(A)		69	68	68	69
Outdoor static pressure	Pa		0/110	0/110	0/110	0/110
Power			380V-415V 3N~ 50Hz/60Hz	380V-415V 3N~ 50Hz/60Hz	380V-415V 3N~ 50Hz/60Hz	380V-415V 3N~ 50Hz/60Hz
Power consumption	Cooling	kW	20.5+20.5+20.5	7.7+12.3+ 16.2+16.2	10.8+12.3+ 13.8+16.2	9.2+13.8+ 16.2+16.2
	Heating	kW	20.1+20.1+20.1	7.8+12.9+ 16.9+16.9	10.7+12.9+ 13.1+16.9	9.5+13.1+ 16.9+16.9
Size(W×D×H)		mm	1340×775×1690+ 1340×775×1690+ 1340×775×1690	930×775×1690+ 1340×775×1690+ 1340×775×1690+ 1340×775×1690	1340×775×1690+ 1340×775×1690+ 1340×775×1690+ 1340×775×1690	1340×775×1690+ 1340×775×1690+ 1340×775×1690+ 1340×775×1690
Waterproof level			IPX4	IPX4	IPX4	IPX4
Connection pipe	Gas pipe	mm	Φ44.5	Φ44.5	Φ44.5	Φ44.5
	Liquid pipe	mm	Φ22.2	Φ22.2	Φ22.2	Φ22.2
	Connection method			Welding connection	Welding connection	Welding connection
Net weight	kg		355+355+355	220+295+350+350	290+295+350+350	290+350+350+350
Rated power input	kW		27.41+27.41+27.41	13.50+26.30+ 27.41+27.41	18.74+26.30+ 26.85+27.41	18.18+26.85+ 27.41+27.41
Rated current	A		49+49+49	24.1+47+49+49	33.5+47+48+49	32.5+48+49+49
Max. fuse current	A		50+50+50	25+50+50+50	40+50+50+50	40+50+50+50
Model (integrated unit)			GMV-2245WM/G-X	GMV-2295WM/G-X	GMV-2350WM/G-X	GMV-2414WM/G-X
Model (single unit)			GMV-400WM/G-X+ GMV-615WM/G-X+ GMV-615WM/G-X+ GMV-615WM/G-X	GMV-560WM/G-X+ GMV-560WM/G-X+ GMV-560WM/G-X+ GMV-615WM/G-X	GMV-560WM/G-X+ GMV-560WM/G-X+ GMV-615WM/G-X+ GMV-615WM/G-X	GMV-504WM/G-X+ GMV-615WM/G-X+ GMV-615WM/G-X+ GMV-680WM/G-X
Cooling capacity	kW		224.5	229.5	235.0	241.4
Heating capacity	kW		252.0	258.0	264.0	271.0
Noise	dB(A)		69	69	69	69
Outdoor static pressure	Pa		0/110	0/110	0/110	0/110
Power			380V-415V 3N~ 50Hz/60Hz	380V-415V 3N~ 50Hz/60Hz	380V-415V 3N~ 50Hz/60Hz	380V-415V 3N~ 50Hz/60Hz
Power consumption	Cooling	kW	9.2+16.2+ 16.2+16.2	13.8+13.8+ 13.8+16.2	13.8+13.8+ 16.2+16.2	12.3+16.2+ 16.2+20.5
	Heating	kW	9.5+16.9+ 16.9+16.9	13.1+13.1+ 13.1+16.9	13.1+13.1+ 16.9+16.9	12.9+16.9+ 16.9+20.1
Size(W×D×H)		mm	1340×775×1690+1340× 775×1690+1340× 775×1690+1340×775× 1690	1340×775×1690+ 1340×775×1690+ 1340×775×1690+ 1340×775×1690	1340×775×1690+ 1340×775×1690+ 1340×775×1690+ 1340×775×1690	1340×775×1690+ 1340×775×1690+ 1340×775×1690+ 1340×775×1690
Waterproof level			IPX4	IPX4	IPX4	IPX4
Connection pipe	Gas pipe	mm	Φ44.5	Φ44.5	Φ44.5	Φ44.5
	Liquid pipe	mm	Φ22.2	Φ22.2	Φ22.2	Φ22.2
	Connection method			Welding connection	Welding connection	Welding connection
Net weight	kg		290+350+350+350	350+350+350+350	350+350+350+350	295+350+350+355
Rated power input	kW		18.18+27.41+ 27.41+27.41	26.85+26.85+ 26.85+27.41	26.85+26.85+ 27.41+27.41	26.30+27.41+ 27.41+27.41
Rated current	A		32.5+49+49+49	48+48+48+49	48+48+49+49	47+49+49+49
Max. fuse current	A		40+50+50+50	50+50+50+50	50+50+50+50	50+50+50+50

GMV6 DC Inverter VRF Units Technical Sales Guide

Model (integrated unit)		GMV-2470WM/G-X	GMV-2525WM/G-X	GMV-2590WM/G-X	GMV-2655WM/G-X	GMV-2720WM/G-X	
Model (single unit)		GMV-560WM/G-X+ GMV-615WM/G-X+ GMV-615WM/G-X+ GMV-680WM/G-X	GMV-615WM/G-X+ GMV-615WM/G-X+ GMV-615WM/G-X+ GMV-680WM/G-X	GMV-615WM/G-X+ GMV-615WM/G-X+ GMV-680WM/G-X+ GMV-680WM/G-X	GMV-615WM/G-X+ GMV-680WM/G-X+ GMV-680WM/G-X+ GMV-680WM/G-X	GMV-680WM/G-X+ GMV-680WM/G-X+ GMV-680WM/G-X+ GMV-680WM/G-X	
Cooling capacity	kW	247.0	252.5	259.0	265.5	272.0	
Heating capacity	kW	277.5	283.5	291.0	298.5	306.0	
Noise	dB(A)	70	70	70	70	70	
Outdoor static pressure	Pa	0/110	0/110	0/110	0/110	0/110	
Power		380V-415V 3N~ 50Hz/60Hz	380V-415V 3N~ 50Hz/60Hz	380V-415V 3N~ 50Hz/60Hz	380V-415V 3N~ 50Hz/60Hz	380V-415V 3N~ 50Hz/60Hz	
Power consumption	Cooling	kW	13.8+16.2+ 16.2+20.5	16.2+16.2+ 16.2+20.5	16.2+16.2+ 20.5+20.5	16.2+20.5+ 20.5+20.5	20.5+20.5+ 20.5+20.5
	Heating	kW	13.1+16.9+ 16.9+20.1	16.9+16.9+ 16.9+20.1	16.9+16.9+ 20.1+20.1	16.9+20.1+ 20.1+20.1	20.1+20.1+ 20.1+20.1
Size(W×D×H)		mm	1340×775×1690+ 1340×775×1690+ 1340×775×1690+ 1340×775×1690	1340×775×1690+ 1340×775×1690+ 1340×775×1690+ 1340×775×1690	1340×775×1690+ 1340×775×1690+ 1340×775×1690+ 1340×775×1690	1340×775×1690+ 1340×775×1690+ 1340×775×1690+ 1340×775×1690	
Waterproof level			IPX4	IPX4	IPX4	IPX4	
Connection pipe	Liquid pipe	mm	Φ44.5	Φ44.5	Φ44.5	Φ44.5	
	Gas pipe	mm	Φ22.2	Φ22.2	Φ22.2	Φ22.2	
	Connection method			Welding connection	Welding connection	Welding connection	Welding connection
Net weight		kg	350+350+ 350+355	350+350+ 350+355	350+350+ 355+355	355+355+ 355+355	
Rated power input		kW	26.85+27.41+ 27.41+27.41	27.41+27.41+ 27.41+27.41	27.41+27.41+ 27.41+27.41	27.41+27.41+ 27.41+27.41	
Rated current		A	48+49+49+49	49+49+49+49	49+49+49+49	49+49+49+49	
Max. fuse current		A	50+50+50+50	50+50+50+50	50+50+50+50	50+50+50+50	

NOTES:

- Rated cooling capacity test conditions: indoor 27°C DB/19°C WB, outdoor 35°C DB; connection pipe length: 5m, without height drop between units.
- Rated heating capacity test conditions: indoor 20°C DB, outdoor 7°C DB/6 °C WB; connection pipe length: 5m, without height drop between units.
- The total capacity of connected indoor units must be in the range of 50%~135% of the outdoor unit capacity. The relevant parameters can be corrected by referring to the unit capacity correction table.
- The above parameters are tested based on the standard connection pipe length. In the actual project, the parameters should be corrected referring to the capacity correction for the long connection pipe of units.

3 ELECTRICAL SPECIFICATIONS

Model	Combination method	Circuit breaker capacity (A) of each combined module	Minimum sectional area of ground lead(mm ²)	Recommended wire (sectional area mm ² ×quantity)
GMV-224WM/G-X	-	25	2.5	2.5×5
GMV-280WM/G-X	-	25	2.5	2.5×5
GMV-335WM/G-X	-	25	4.0	4.0×5
GMV-400WM/G-X	-	40	6.0	6.0×5
GMV-450WM/G-X	-	40	6.0	6.0×5
GMV-504WM/G-X	-	50	10.0	10.0×5
GMV-560WM/G-X	-	50	10.0	10.0×5
GMV-615WM/G-X	-	50	10.0	10.0×5
GMV-680WM/G-X	-	50	10.0	10.0×5
GMV-735WM/G-X	335+400	25+40	4.0+6.0	4.0×5+6.0×5
GMV-785WM/G-X	335+450	25+40	4.0+6.0	4.0×5+6.0×5
GMV-839WM/G-X	335+504	25+50	4.0+10.0	4.0×5+10.0×5
GMV-895WM/G-X	280+615	25+50	2.5+10.0	2.5×5+10.0×5
GMV-950WM/G-X	335+615	25+50	4.0+10.0	4.0×5+10.0×5
GMV-1015WM/G-X	400+615	40+50	6.0+10.0	6.0×5+10.0×5
GMV-1064WM/G-X	504+560	50+50	10.0+10.0	10.0×5+10.0×5
GMV-1119WM/G-X	504+615	50+50	10.0+10.0	10.0×5+10.0×5
GMV-1175WM/G-X	560+615	50+50	10.0+10.0	10.0×5+10.0×5
GMV-1230WM/G-X	615+615	50+50	10.0+10.0	10.0×5+10.0×5
GMV-1295WM/G-X	615+680	50+50	10.0+10.0	10.0×5+10.0×5
GMV-1360WM/G-X	680+680	50+50	10.0+10.0	10.0×5+10.0×5
GMV-1399WM/G-X	335+504+560	25+50+50	4.0+10.0+10.0	4.0×5+10.0×5+10.0×5
GMV-1455WM/G-X	280+560+615	25+50+50	2.5+10.0+10.0	2.5×5+10.0×5+10.0×5
GMV-1510WM/G-X	280+615+615	25+50+50	2.5+10.0+10.0	2.5×5+10.0×5+10.0×5
GMV-1565WM/G-X	335+615+615	25+50+50	4.0+10.0+10.0	4.0×5+10.0×5+10.0×5
GMV-1623WM/G-X	504+504+615	50+50+50	10.0+10.0+10.0	10.0×5+10.0×5+10.0×5
GMV-1679WM/G-X	504+560+615	50+50+50	10.0+10.0+10.0	10.0×5+10.0×5+10.0×5
GMV-1734WM/G-X	504+615+615	50+50+50	10.0+10.0+10.0	10.0×5+10.0×5+10.0×5
GMV-1790WM/G-X	560+615+615	50+50+50	10.0+10.0+10.0	10.0×5+10.0×5+10.0×5
GMV-1845WM/G-X	615+615+615	50+50+50	10.0+10.0+10.0	10.0×5+10.0×5+10.0×5
GMV-1910WM/G-X	615+615+680	50+50+50	10.0+10.0+10.0	10.0×5+10.0×5+10.0×5
GMV-1975WM/G-X	615+680+680	50+50+50	10.0+10.0+10.0	10.0×5+10.0×5+10.0×5
GMV-2040WM/G-X	680+680+680	50+50+50	10.0+10.0+10.0	10.0×5+10.0×5+10.0×5
GMV-2069WM/G-X	335+504+615+615	25+50+50+50	4.0+10.0+10.0+10.0	4.0×5+10.0×5+10.0×5+10.0×5
GMV-2129WM/G-X	450+504+560+615	40+50+50+50	6.0+10.0+10.0+10.0	6.0×5+10.0×5+10.0×5+10.0×5
GMV-2190WM/G-X	400+560+615+615	40+50+50+50	6.0+10.0+10.0+10.0	6.0×5+10.0×5+10.0×5+10.0×5
GMV-2245WM/G-X	450+615+615+615	40+50+50+50	6.0+10.0+10.0+10.0	6.0×5+10.0×5+10.0×5+10.0×5
GMV-2295WM/G-X	560+560+560+615	50+50+50+50	10.0+10.0+10.0+10.0	10.0×5+10.0×5+10.0×5+10.0×5
GMV-2350WM/G-X	560+560+615+615	50+50+50+50	10.0+10.0+10.0+10.0	10.0×5+10.0×5+10.0×5+10.0×5
GMV-2414WM/G-X	504+615+615+680	50+50+50+50	10.0+10.0+10.0+10.0	10.0×5+10.0×5+10.0×5+10.0×5
GMV-2470WM/G-X	560+615+615+680	50+50+50+50	10.0+10.0+10.0+10.0	10.0×5+10.0×5+10.0×5+10.0×5

Model	Combination method	Circuit breaker capacity (A) of each combined module	Minimum sectional area of ground lead(mm ²)	Recommended wire (sectional area mm ² ×quantity)
GMV-2525WM/G-X	615+615+615+680	50+50+50+50	10.0+10.0+10.0+10.0	10.0×5+10.0×5+10.0×5+10.0×5
GMV-2590WM/G-X	615+615+680+680	50+50+50+50	10.0+10.0+10.0+10.0	10.0×5+10.0×5+10.0×5+10.0×5
GMV-2655WM/G-X	615+680+680+680	50+50+50+50	10.0+10.0+10.0+10.0	10.0×5+10.0×5+10.0×5+10.0×5
GMV-2720WM/G-X	680+680+680+680	50+50+50+50	10.0+10.0+10.0+10.0	10.0×5+10.0×5+10.0×5+10.0×5

NOTES:

- a. The circuit breaker and power cable specifications are selected according to the maximum unit power (maximum current).
- b. The power cable specifications are obtained under the condition that the multi-copper core cable (such as YJV copper-core XLPE insulated PVC sheathed power cable) is laid in the wire trough in an exposed manner (the ambient temperature of use is 40°C and the cable operating temperature is 90°C) (IEC60364-5-523). If the use condition is different, calculate and adjust the specification according to the corresponding national standard.
- c. The copper core cable must be used.
- d. The engineering wiring should meet the requirements of IEC 60364-5-52 to ensure that the line voltage drop meets the requirements and the voltage is not lower than the lower limit of the nominal value of equipment.
- e. The circuit breaker specification is obtained under the condition that the ambient temperature is 40°C when the circuit breaker is operating. If the use condition is different, calculate and adjust the specification according to the instructions on circuit breaker specifications.
- f. The circuit breaker should provide the magnetic trip and thermal trip functions at the same time to ensure protection in the cases of short circuit and overload.

4 PRODUCT CAPACITY RECTIFICATION

➔ 4.1 Capacity rectification method for IDU and ODU

Actual capacity of each IDU=Actual capacity of ODU×IDU capacity/Max. IDU capacity operating at the same time

Actual capacity of ODU=Rectified capacity based on the configuration rate of IDU and ODU and the indoor and outside temperature condition×pipe distance and the rectification coefficient of fall of IDU and ODU×rectification factor of heating and defrosting

NOTES:

- a. Rectified capacity based on the configuration rate of IDU and ODU and the indoor and outside temperature condition——inquire according to the capacity rectification table
- b. Rectification factor of heating and defrosting——rectify the factor if the model selection is based on heating load.

4.3 Correction of capacity along with ambient temperature and configuration ratio

► Rectification of cooling capacity:
GMV-224WM/G-X

TC—Total capacity of outdoor unit; PI—Power input of outdoor unit

Combination	Outdoor air temp (°C DB)	Indoor air temp													
		14.0°C WB		17.0°C WB		18.0°C WB		19.0°C WB		20.0°C WB		22.0°C WB		24.0°C WB	
		20.0°C DB		24.0°C DB		26.0°C DB		27.0°C DB		28.0°C DB		30.0°C DB		32.0°C DB	
		TC	PI	TC	PI	TC	PI	TC	PI	TC	PI	TC	PI	TC	PI
		kW	kW	kW	kW	kW	kW	kW	kW	kW	kW	kW	kW	kW	
135%	-5	19.82	2.22	23.60	2.70	28.01	2.74	28.44	2.74	28.95	2.76	30.67	2.80	30.43	2.83
	0	19.82	2.22	23.60	2.71	28.01	2.74	28.44	2.74	28.95	2.77	30.67	2.80	30.43	2.83
	4	19.82	2.23	23.60	2.72	28.01	2.75	28.44	2.75	28.95	2.78	30.67	2.81	30.43	2.84
	7	19.82	2.27	23.60	2.77	28.01	2.80	28.44	2.81	28.95	2.83	30.41	2.86	30.43	2.89
	10	19.82	2.31	23.60	2.83	28.01	3.36	28.44	3.42	28.76	3.37	29.50	3.23	30.21	3.08
	12	19.82	2.35	23.60	2.88	28.01	3.43	28.03	3.40	28.44	3.35	29.09	3.20	29.81	3.15
	14	19.82	2.40	23.60	2.94	27.93	3.47	27.71	3.39	28.03	3.33	28.77	3.30	29.48	3.34
	16	19.82	2.44	23.60	3.00	27.60	3.46	27.31	3.42	27.63	3.44	28.36	3.48	29.08	3.51
	18	19.82	2.49	23.60	3.06	27.19	3.59	26.91	3.59	27.31	3.63	28.03	3.66	28.76	3.69
	20	19.82	2.54	23.60	3.25	26.78	3.76	26.58	3.77	26.91	3.80	27.63	3.84	28.36	3.88
	21	19.82	2.61	23.60	3.37	26.61	3.85	26.42	3.85	26.75	3.89	27.47	3.93	28.20	3.96
	23	19.82	2.80	23.60	3.61	26.28	4.03	26.02	4.03	26.34	4.07	27.07	4.11	27.79	4.15
	25	19.82	2.99	23.60	3.87	25.87	4.20	25.70	4.20	26.02	4.25	26.75	4.29	27.47	4.33
	27	19.82	3.19	23.60	4.14	25.54	3.70	25.30	4.39	25.62	4.42	26.34	4.47	27.07	4.52
	29	19.82	3.41	23.60	4.42	25.13	4.55	24.89	4.56	25.30	4.61	26.02	4.65	26.75	4.70
	31	19.82	3.64	23.52	4.68	24.72	4.74	24.57	4.74	24.89	4.78	25.62	4.84	26.34	4.89
	33	19.82	3.88	23.12	4.86	24.39	4.90	24.17	4.92	24.57	4.97	25.30	5.02	25.94	5.08
	35	19.82	4.13	22.72	5.03	23.98	5.09	23.85	5.10	24.17	5.15	24.89	5.21	25.62	5.26
	37	19.82	4.40	22.40	5.22	23.65	5.28	23.87	5.28	23.89	5.34	24.49	5.40	25.22	5.46
	39	19.82	4.68	21.99	5.39	23.23	5.45	23.87	5.46	24.07	5.52	24.17	5.58	24.89	5.65
41	19.82	5.21	22.72	6.34	23.98	6.42	23.85	5.92	23.91	5.97	24.05	6.04	24.41	6.11	
43	19.82	5.43	23.47	6.61	24.08	6.77	23.82	6.29	23.76	6.20	24.10	6.19	23.93	6.26	
44	19.19	5.66	22.31	6.90	23.09	7.13	23.42	6.18	23.74	6.43	23.97	6.35	24.08	6.42	
46	18.20	7.33	21.37	8.22	22.49	7.37	22.63	6.58	23.12	6.71	23.34	6.67	23.56	6.74	
47	17.71	8.16	20.90	8.89	22.19	7.49	22.23	6.78	22.80	6.85	23.02	6.82	23.30	6.89	
50	15.10	7.91	18.28	8.76	19.77	7.90	20.18	7.35	20.92	7.31	21.73	7.29	22.18	7.21	
52	9.62	4.76	12.94	5.93	16.01	6.67	17.63	7.00	17.71	6.77	18.14	6.68	19.16	6.86	

GMV6 DC Inverter VRF Units Technical Sales Guide

Combination	Outdoor air temp (°C DB)	Indoor air temp													
		14.0°C WB		17.0°C WB		18.0°C WB		19.0°C WB		20.0°C WB		22.0°C WB		24.0°C WB	
		20.0°C DB		24.0°C DB		26.0°C DB		27.0°C DB		28.0°C DB		30.0°C DB		32.0°C DB	
		TC	PI	TC	PI	TC	PI	TC	PI	TC	PI	TC	PI	TC	PI
	kW	kW	kW	kW	kW	kW	kW	kW	kW	kW	kW	kW	kW	kW	
120%	-5	18.29	1.98	21.75	2.56	25.87	2.72	27.07	2.72	28.47	2.75	30.08	2.78	29.76	2.80
	0	18.29	1.98	21.75	2.56	25.87	2.72	27.07	2.73	28.47	2.75	30.08	2.78	29.76	2.81
	4	18.29	1.99	21.75	2.57	25.87	2.73	27.07	2.74	28.47	2.76	30.08	2.79	29.76	2.82
	7	18.29	2.02	21.75	2.62	25.87	2.78	27.07	2.79	28.47	2.81	29.82	2.84	29.76	2.87
	10	18.29	2.11	21.75	2.58	25.87	3.06	27.07	3.30	28.36	3.46	29.01	3.32	29.65	3.19
	12	18.29	2.15	21.75	2.62	25.87	3.13	27.07	3.36	27.95	3.44	28.61	3.31	29.24	3.17
	14	18.29	2.19	21.75	2.68	25.87	3.19	27.07	3.43	27.55	3.42	28.29	3.29	28.92	3.31
	16	18.29	2.23	21.75	2.73	25.87	3.25	26.91	3.46	27.23	3.42	27.87	3.46	28.52	3.48
	18	18.29	2.27	21.75	2.79	25.87	3.36	26.50	3.57	26.83	3.60	27.47	3.63	28.20	3.67
	20	18.29	2.32	21.75	2.90	25.87	3.61	26.18	3.75	26.50	3.77	27.15	3.81	27.79	3.84
	21	18.29	2.34	21.75	3.00	25.87	3.74	25.94	3.83	26.26	3.86	26.99	3.90	27.63	3.94
	23	18.29	2.50	21.75	3.21	25.87	4.00	25.62	4.00	25.94	4.04	26.58	4.08	27.23	4.11
	25	18.29	2.67	21.75	3.44	25.46	4.18	25.22	4.18	25.54	4.21	26.26	4.26	26.91	4.30
	27	18.29	2.85	21.75	3.67	25.13	4.35	24.89	4.36	25.22	4.40	25.86	4.44	26.50	4.48
	29	18.29	3.04	21.75	3.92	24.72	4.53	24.49	4.54	24.81	4.57	25.46	4.62	26.18	4.66
	31	18.29	3.25	21.75	4.19	24.39	4.71	24.17	4.71	24.49	4.76	25.13	4.80	25.78	4.85
	33	18.29	3.46	21.75	4.47	23.98	4.88	23.77	4.89	24.09	4.93	24.73	4.99	25.38	5.03
	35	18.29	3.68	21.75	4.76	23.56	5.06	23.36	5.07	23.77	5.11	24.41	5.17	25.05	5.22
	37	18.29	3.92	21.75	5.07	23.23	5.24	23.46	5.25	23.41	5.30	24.01	5.35	24.65	5.41
	39	18.29	4.17	21.67	5.36	22.82	5.42	23.37	5.43	23.57	5.48	23.68	5.54	24.33	5.59
41	18.29	4.64	21.75	6.00	23.56	6.38	23.36	5.88	23.51	5.93	23.58	6.00	23.88	6.06	
43	18.29	4.83	21.83	6.25	23.68	6.72	23.36	6.25	23.45	6.16	23.65	6.15	23.42	6.21	
44	17.71	5.04	21.36	6.52	22.69	7.08	22.95	6.14	23.35	6.39	23.50	6.31	23.55	6.37	
46	16.80	6.52	20.46	7.78	22.10	7.32	22.17	6.54	22.73	6.67	22.88	6.62	23.05	6.68	
47	16.34	7.27	20.01	8.41	21.81	7.44	21.78	6.74	22.42	6.80	22.57	6.77	22.79	6.84	
50	13.93	7.05	17.50	8.29	19.43	7.84	19.77	7.30	20.57	7.26	21.31	7.24	21.69	7.15	
52	9.43	4.73	12.68	5.89	15.69	6.62	17.27	6.95	17.35	6.73	17.77	6.63	18.77	6.81	
110%	-5	16.76	1.75	19.98	2.25	23.73	2.70	24.81	2.70	26.42	2.73	29.41	2.75	29.07	2.78
	0	16.76	1.75	19.98	2.25	23.73	2.70	24.81	2.71	26.42	2.73	29.41	2.76	29.07	2.78
	4	16.76	1.76	19.98	2.26	23.73	2.71	24.81	2.72	26.42	2.74	29.41	2.77	29.07	2.79
	7	16.76	1.79	19.98	2.30	23.73	2.76	24.81	2.77	26.42	2.79	29.16	2.82	29.07	2.85
	10	16.76	1.91	19.98	2.33	23.73	2.77	24.81	2.99	26.42	3.23	28.45	3.42	29.08	3.31
	12	16.76	1.96	19.98	2.38	23.73	2.83	24.81	3.05	26.42	3.29	28.13	3.41	28.68	3.29
	14	16.76	1.99	19.98	2.42	23.73	2.88	24.81	3.10	26.42	3.35	27.72	3.41	28.36	3.28
	16	16.76	2.02	19.98	2.47	23.73	2.94	24.81	3.16	26.42	3.42	27.39	3.43	27.95	3.46
	18	16.76	2.06	19.98	2.52	23.73	3.00	24.81	3.25	26.42	3.58	26.99	3.61	27.63	3.64
	20	16.76	2.10	19.98	2.57	23.73	3.17	24.81	3.49	26.02	3.75	26.67	3.78	27.23	3.82
	21	16.76	2.12	19.98	2.65	23.73	3.29	24.81	3.62	25.86	3.84	26.42	3.87	27.07	3.90
	23	16.76	2.23	19.98	2.83	23.73	3.52	24.81	3.88	25.46	4.01	26.10	4.05	26.67	4.09
	25	16.76	2.37	19.98	3.03	23.73	3.77	24.81	4.16	25.13	4.19	25.70	4.23	26.34	4.26
	27	16.76	2.53	19.98	3.24	23.73	4.03	24.41	4.33	24.73	4.36	25.38	4.40	25.94	4.44
	29	16.76	2.70	19.98	3.46	23.73	4.31	24.09	4.51	24.41	4.55	24.97	4.59	25.62	4.63
	31	16.76	2.88	19.98	3.69	23.73	4.60	23.68	4.68	24.01	4.72	24.65	4.76	25.22	4.81
	33	16.76	3.06	19.98	3.93	23.56	4.85	23.36	4.86	23.68	4.90	24.25	4.95	24.89	4.99
	35	16.76	3.25	19.98	4.19	23.23	5.03	22.96	5.03	23.28	5.08	23.85	5.13	24.49	5.18
	37	16.76	3.46	19.98	4.46	22.82	5.21	23.05	5.21	22.92	5.26	23.52	5.31	24.09	5.36
	39	16.76	3.68	19.98	4.75	22.41	5.38	22.95	5.39	23.16	5.44	23.12	5.49	23.77	5.55
41	16.76	4.10	19.98	5.28	23.23	6.33	22.96	5.84	23.04	5.89	23.04	5.95	23.34	6.00	
43	16.76	4.28	19.98	5.50	23.45	6.68	22.97	6.21	22.91	6.12	23.12	6.10	22.91	6.15	
44	16.22	4.46	19.62	5.74	22.37	7.04	22.55	6.10	22.87	6.35	22.96	6.26	23.02	6.31	
46	15.39	5.77	18.79	6.84	21.79	7.27	21.78	6.50	22.27	6.62	22.35	6.56	22.53	6.62	
47	14.97	6.42	18.38	7.39	21.50	7.39	21.40	6.69	21.97	6.76	22.05	6.72	22.28	6.78	
50	12.77	6.23	16.07	7.29	19.16	7.79	19.43	7.25	20.16	7.21	20.82	7.18	21.21	7.09	
52	9.27	4.70	12.46	5.85	15.42	6.58	16.97	6.91	17.06	6.68	17.47	6.59	18.45	6.77	

Combination	Outdoor air temp (°C DB)	Indoor air temp													
		14.0°C WB		17.0°C WB		18.0°C WB		19.0°C WB		20.0°C WB		22.0°C WB		24.0°C WB	
		20.0°C DB		24.0°C DB		26.0°C DB		27.0°C DB		28.0°C DB		30.0°C DB		32.0°C DB	
		TC	PI	TC	PI	TC	PI	TC	PI	TC	PI	TC	PI	TC	PI
		kW	kW	kW	kW	kW	kW	kW	kW	kW	kW	kW	kW	kW	
100%	-5	15.23	1.53	18.13	1.96	21.59	2.44	22.40	2.69	24.01	2.71	27.87	2.73	28.50	2.76
	0	15.23	1.53	18.13	1.96	21.59	2.44	22.40	2.69	24.01	2.71	27.87	2.74	28.50	2.76
	4	15.23	1.54	18.13	1.97	21.59	2.45	22.40	2.70	24.01	2.72	27.87	2.75	28.50	2.77
	7	15.23	1.56	18.13	2.00	21.59	2.50	22.40	2.75	24.01	2.77	27.63	2.80	28.50	2.82
	10	15.23	1.73	18.13	2.10	21.59	2.49	22.40	2.68	24.00	2.90	26.99	3.28	28.51	3.41
	12	15.23	1.75	18.13	2.13	21.59	2.52	22.40	2.71	24.00	2.96	26.99	3.34	28.11	3.39
	14	15.23	1.79	18.13	2.17	21.59	2.56	22.40	2.76	24.00	3.01	26.99	3.40	27.79	3.36
	16	15.23	1.83	18.13	2.22	21.59	2.62	22.40	2.82	24.00	3.08	26.89	3.47	27.38	3.43
	18	15.23	1.87	18.13	2.27	21.59	2.67	22.40	2.88	24.00	3.14	26.50	3.54	27.07	3.60
	20	15.23	1.89	18.13	2.30	21.59	2.76	22.40	3.03	24.00	3.34	26.10	3.73	26.66	3.79
	21	15.23	1.91	18.13	2.33	21.59	2.86	22.40	3.13	24.00	3.45	25.94	3.86	26.50	3.89
	23	15.23	1.96	18.13	2.48	21.59	3.07	22.40	3.37	24.00	3.71	25.62	4.08	26.10	4.12
	25	15.23	2.09	18.13	2.64	21.59	3.27	22.40	3.58	24.00	3.97	25.21	4.23	25.78	4.27
	27	15.23	2.23	18.13	2.82	21.59	3.51	22.40	3.85	24.00	4.26	24.81	4.38	25.38	4.42
	29	15.23	2.36	18.13	3.02	21.59	3.75	22.40	4.11	23.93	4.51	24.47	4.59	25.04	4.63
	31	15.23	2.51	18.13	3.21	21.59	4.00	22.40	4.43	23.63	4.70	23.91	4.77	24.65	4.82
	33	15.23	2.67	18.13	3.42	21.59	4.26	22.40	4.69	23.20	4.87	23.80	4.91	24.32	4.96
	35	15.23	2.85	18.13	3.64	21.59	4.54	22.40	5.00	22.80	5.04	23.35	5.09	23.91	5.14
	37	15.23	3.03	18.13	3.88	21.59	4.84	22.40	5.18	22.56	5.23	23.01	5.26	23.57	5.31
	39	15.23	3.23	18.13	4.13	21.59	5.15	22.40	5.35	22.56	5.40	22.71	5.44	23.01	5.49
41	15.23	3.59	18.13	4.59	21.59	5.72	22.40	5.80	22.56	5.85	22.56	5.90	22.79	5.96	
43	15.23	3.74	18.13	4.79	21.59	6.03	22.40	6.17	22.56	6.07	22.56	6.06	22.56	6.11	
44	14.74	3.90	17.80	4.99	20.78	6.36	22.15	6.05	22.40	6.31	22.48	6.21	22.48	6.27	
46	13.99	5.04	17.05	5.95	20.25	6.57	21.40	6.45	21.80	6.57	21.89	6.52	21.99	6.57	
47	13.61	5.62	16.68	6.43	19.98	6.68	21.03	6.65	21.51	6.71	21.59	6.67	21.75	6.73	
50	11.60	5.45	14.58	6.34	17.80	7.04	19.09	7.20	19.74	7.16	20.38	7.13	20.70	7.04	
52	9.10	4.28	12.25	5.32	15.15	5.99	16.68	6.29	16.76	6.08	17.16	6.00	18.13	6.16	
90%	-5	13.70	1.33	16.31	1.69	19.43	2.08	20.30	2.29	21.59	2.53	25.04	2.71	26.91	2.73
	0	13.70	1.34	16.31	1.69	19.43	2.09	20.30	2.30	21.59	2.54	25.04	2.71	26.91	2.74
	4	13.70	1.34	16.31	1.70	19.43	2.09	20.30	2.31	21.59	2.55	25.04	2.72	26.91	2.75
	7	13.70	1.37	16.31	1.73	19.43	2.13	20.30	2.35	21.59	2.59	24.83	2.77	26.91	2.80
	10	13.70	1.51	16.31	1.81	19.43	2.13	20.30	2.38	21.60	2.55	24.29	2.92	26.90	3.31
	12	13.70	1.53	16.31	1.84	19.43	2.15	20.30	2.42	21.60	2.60	24.29	2.97	26.90	3.35
	14	13.70	1.56	16.31	1.87	19.43	2.19	20.30	2.45	21.60	2.64	24.29	3.02	26.90	3.41
	16	13.70	1.59	16.31	1.91	19.43	2.24	20.30	2.51	21.60	2.70	24.28	3.09	26.82	3.47
	18	13.70	1.63	16.31	1.96	19.43	2.28	20.30	2.56	21.60	2.76	24.28	3.16	26.58	3.60
	20	13.70	1.65	16.31	1.99	19.43	2.36	20.30	2.61	21.60	2.87	24.28	3.40	26.10	3.75
	21	13.70	1.67	16.31	2.01	19.43	2.44	20.30	2.70	21.60	2.97	24.28	3.51	25.94	3.83
	23	13.70	1.71	16.31	2.14	19.43	2.62	20.30	2.90	21.60	3.18	24.28	3.77	25.54	4.03
	25	13.70	1.82	16.31	2.28	19.43	2.79	20.30	3.09	21.60	3.40	24.28	4.04	25.22	4.19
	27	13.70	1.95	16.31	2.44	19.43	2.99	20.30	3.30	21.60	3.64	24.28	4.31	24.81	4.38
	29	13.70	2.06	16.31	2.60	19.43	3.20	20.30	3.53	21.60	3.88	24.01	4.52	24.49	4.56
	31	13.70	2.19	16.31	2.77	19.43	3.41	20.30	3.76	21.60	4.14	23.60	4.68	24.09	4.74
	33	13.70	2.33	16.31	2.95	19.43	3.64	20.30	4.01	21.60	4.41	23.28	4.87	23.77	4.91
	35	13.70	2.48	16.31	3.14	19.43	3.88	20.30	4.27	21.60	4.72	22.88	5.05	23.36	5.09
	37	13.70	2.64	16.31	3.35	19.43	4.13	20.30	4.42	21.65	5.05	22.48	5.23	23.04	5.21
	39	13.70	2.82	16.31	3.56	19.43	4.40	20.30	4.57	22.18	5.35	22.15	5.42	22.64	5.41
41	13.70	3.13	16.31	3.96	19.43	4.89	20.30	4.95	21.38	5.47	22.11	5.85	22.26	5.91	
43	13.70	3.26	16.31	4.12	19.37	5.16	20.30	5.26	21.23	5.68	22.21	6.00	21.89	6.07	
44	13.27	3.40	16.02	4.30	18.71	5.43	19.94	5.17	21.22	5.89	22.03	6.16	21.96	6.21	
46	12.59	4.40	15.35	5.13	18.22	5.61	19.26	5.51	20.66	6.15	21.45	6.46	21.49	6.52	
47	12.25	4.90	15.01	5.55	17.98	5.70	18.92	5.68	20.38	6.27	21.16	6.61	21.25	6.67	
50	10.44	4.75	13.12	5.47	16.02	6.01	17.18	6.15	18.70	6.70	19.97	7.06	20.23	6.97	
52	8.19	3.99	11.02	4.96	13.63	5.58	15.01	5.86	15.08	5.67	15.63	5.59	16.31	5.74	

GMV6 DC Inverter VRF Units Technical Sales Guide

Combination	Outdoor air temp (°C DB)	Indoor air temp													
		14.0°C WB		17.0°C WB		18.0°C WB		19.0°C WB		20.0°C WB		22.0°C WB		24.0°C WB	
		20.0°C DB		24.0°C DB		26.0°C DB		27.0°C DB		28.0°C DB		30.0°C DB		32.0°C DB	
		TC	PI	TC	PI	TC	PI	TC	PI	TC	PI	TC	PI	TC	PI
		kW	kW	kW	kW	kW	kW	kW	kW	kW	kW	kW	kW	kW	
80%	-5	12.18	1.15	14.50	1.42	17.27	1.77	18.05	1.94	19.17	2.12	22.30	2.52	23.93	2.70
	0	12.18	1.15	14.50	1.42	17.27	1.77	18.05	1.94	19.17	2.13	22.30	2.53	23.93	2.71
	4	12.18	1.16	14.50	1.43	17.27	1.78	18.05	1.95	19.17	2.14	22.30	2.54	23.93	2.72
	7	12.18	1.18	14.50	1.45	17.27	1.81	18.05	1.98	19.17	2.18	22.11	2.58	23.93	2.77
	10	12.18	1.37	14.50	1.64	17.27	1.93	18.05	2.08	19.20	2.23	21.59	2.55	23.93	2.96
	12	12.18	1.39	14.50	1.67	17.27	1.97	18.05	2.12	19.20	2.27	21.59	2.59	23.93	2.94
	14	12.18	1.42	14.50	1.70	17.27	2.00	18.05	2.15	19.20	2.32	21.59	2.64	23.93	3.00
	16	12.18	1.44	14.50	1.73	17.27	2.04	18.05	2.19	19.20	2.35	21.58	2.70	23.93	3.11
	18	12.18	1.47	14.50	1.77	17.27	2.09	18.05	2.24	19.20	2.40	21.58	2.76	23.93	3.33
	20	12.18	1.50	14.50	1.80	17.27	2.12	18.05	2.28	19.20	2.45	21.58	2.86	23.93	3.45
	21	12.18	1.51	14.50	1.81	17.27	2.14	18.05	2.30	19.20	2.51	21.58	2.96	23.93	3.69
	23	12.18	1.54	14.50	1.85	17.27	2.25	18.05	2.45	19.20	2.68	21.58	3.17	23.93	3.95
	25	12.18	1.58	14.50	1.97	17.27	2.40	18.05	2.62	19.20	2.86	21.58	3.39	23.93	4.21
	27	12.18	1.68	14.50	2.10	17.27	2.56	18.05	2.80	19.20	3.07	21.58	3.62	23.93	4.36
	29	12.18	1.79	14.50	2.23	17.27	2.73	18.05	2.98	19.14	3.27	21.58	3.86	23.93	4.52
	31	12.18	1.90	14.50	2.37	17.27	2.90	18.05	3.17	19.14	3.49	21.58	4.12	23.52	4.68
	33	12.18	2.02	14.50	2.65	17.27	3.09	18.05	3.38	19.14	3.71	21.58	4.40	23.20	4.85
	35	12.18	2.14	14.50	2.65	17.27	3.29	18.05	3.61	19.14	3.96	21.58	4.70	22.80	5.03
	37	12.18	2.27	14.50	2.85	17.27	3.50	18.05	3.84	19.18	4.21	21.58	5.00	22.48	5.22
	39	12.18	2.41	14.50	3.02	17.27	3.72	18.05	4.09	19.65	4.49	21.58	5.33	22.07	5.41
41	12.18	2.70	14.50	3.33	17.27	4.14	18.05	4.18	18.94	4.59	20.85	5.45	21.73	5.84	
43	12.18	2.82	14.82	3.48	17.23	4.36	18.05	4.45	18.77	4.76	20.89	5.59	21.38	5.98	
44	11.79	2.94	14.24	3.62	16.63	4.60	17.72	4.37	18.80	4.94	20.78	5.73	21.43	6.14	
46	11.19	3.80	13.64	4.32	16.20	4.76	17.12	4.65	18.31	5.16	20.23	6.01	20.97	6.44	
47	10.89	4.23	13.34	4.67	15.98	4.83	16.82	4.79	18.06	5.26	19.96	6.15	20.74	6.59	
50	9.28	4.11	11.67	4.60	14.24	5.10	15.27	5.19	16.57	5.62	18.84	6.57	19.74	6.89	
52	7.28	3.36	9.80	4.19	12.12	4.71	13.34	4.95	13.41	4.78	13.73	4.72	14.50	4.85	
70%	-5	10.66	0.98	12.69	1.21	15.11	1.47	15.79	1.61	16.84	1.76	19.47	2.07	20.95	2.41
	0	10.66	0.98	12.69	1.22	15.11	1.47	15.79	1.61	16.84	1.76	19.47	2.07	20.95	2.41
	4	10.66	0.99	12.69	1.22	15.11	1.48	15.79	1.62	16.84	1.77	19.47	2.08	20.95	2.42
	7	10.66	1.00	12.69	1.24	15.11	1.51	15.79	1.65	16.84	1.80	19.30	2.12	20.95	2.47
	10	10.66	1.21	12.69	1.43	15.11	1.67	15.79	1.79	16.80	1.93	18.89	2.19	20.95	2.46
	12	10.66	1.22	12.69	1.45	15.11	1.70	15.79	1.83	16.80	1.96	18.89	2.23	20.95	2.51
	14	10.66	1.24	12.69	1.48	15.11	1.73	15.79	1.85	16.80	2.00	18.89	2.27	20.95	2.56
	16	10.66	1.27	12.69	1.51	15.11	1.77	15.79	1.89	16.80	2.04	18.88	2.31	20.95	2.60
	18	10.66	1.29	12.69	1.54	15.11	1.80	15.79	1.93	16.80	2.07	18.88	2.36	20.95	2.66
	20	10.66	1.31	12.69	1.56	15.11	1.83	15.79	1.96	16.80	2.11	18.88	2.41	20.95	2.73
	21	10.66	1.32	12.69	1.58	15.11	1.85	15.79	1.98	16.80	2.13	18.88	2.44	20.95	2.83
	23	10.66	1.34	12.69	1.60	15.11	1.89	15.79	2.05	16.80	2.24	18.88	2.62	20.95	3.03
	25	10.66	1.37	12.69	1.67	15.11	2.01	15.79	2.19	16.80	2.39	18.88	2.80	20.95	3.24
	27	10.66	1.45	12.69	1.78	15.11	2.14	15.79	2.33	16.80	2.55	18.88	2.99	20.95	3.46
	29	10.66	1.54	12.69	1.89	15.11	2.28	15.79	2.49	16.80	2.71	18.88	3.19	20.95	3.70
	31	10.66	1.62	12.69	2.00	15.11	2.43	15.79	2.64	16.80	2.89	18.88	3.40	20.95	3.94
	33	10.66	1.73	12.69	2.13	15.11	2.58	15.79	2.81	16.80	3.08	18.88	3.62	20.95	4.21
	35	10.66	1.83	12.69	2.26	15.11	2.74	15.79	2.99	16.80	3.27	18.88	3.86	20.95	4.49
	37	10.66	1.93	12.69	2.39	15.11	2.92	15.79	3.18	16.84	3.48	18.88	4.11	20.95	4.78
	39	10.66	2.04	12.69	2.54	15.11	3.09	15.79	3.38	17.25	3.70	18.88	4.36	20.95	5.09
41	10.66	2.30	12.69	2.85	15.11	3.45	15.79	3.47	16.63	3.80	18.25	4.47	19.96	5.20	
43	10.66	2.40	12.94	2.97	14.92	3.64	15.79	3.69	16.02	3.94	18.30	4.58	19.41	5.34	
44	10.32	2.50	12.46	3.10	14.55	3.84	15.51	3.62	16.51	4.09	18.18	4.70	19.69	5.47	
46	9.79	3.24	11.94	3.69	14.17	3.96	14.98	3.86	16.07	4.27	17.70	4.94	19.27	5.74	
47	9.52	3.61	11.67	3.99	13.99	4.03	14.72	3.98	15.85	4.35	17.46	5.05	19.05	5.88	
50	8.12	3.50	10.21	3.93	12.46	4.25	13.36	4.31	14.55	4.65	16.49	5.40	18.14	6.14	
52	6.37	2.79	8.57	3.48	10.60	3.88	11.67	4.11	11.73	3.97	12.01	3.92	12.69	4.02	

Combination	Outdoor air temp (°C DB)	Indoor air temp													
		14.0°C WB		17.0°C WB		18.0°C WB		19.0°C WB		20.0°C WB		22.0°C WB		24.0°C WB	
		20.0°C DB		24.0°C DB		26.0°C DB		27.0°C DB		28.0°C DB		30.0°C DB		32.0°C DB	
		TC	PI	TC	PI	TC	PI	TC	PI	TC	PI	TC	PI	TC	PI
		kW	kW	kW	kW	kW	kW	kW	kW	kW	kW	kW	kW	kW	
60%	-5	9.14	0.82	10.88	1.01	12.95	1.21	13.53	1.31	14.42	1.43	16.72	1.67	17.96	1.93
	0	9.14	0.83	10.88	1.01	12.95	1.21	13.53	1.31	14.42	1.43	16.72	1.67	17.96	1.93
	4	9.14	0.83	10.88	1.01	12.95	1.21	13.53	1.32	14.42	1.44	16.72	1.68	17.96	1.94
	7	9.14	0.84	10.88	1.03	12.95	1.24	13.53	1.34	14.42	1.46	16.58	1.71	17.96	1.97
	10	9.14	1.05	10.88	1.23	12.95	1.43	13.53	1.52	14.40	1.63	16.19	1.85	17.96	2.07
	12	9.14	1.07	10.88	1.25	12.95	1.45	13.53	1.55	14.40	1.66	16.19	1.88	17.96	2.10
	14	9.14	1.08	10.88	1.27	12.95	1.47	13.53	1.58	14.40	1.69	16.19	1.91	17.96	2.14
	16	9.14	1.10	10.88	1.29	12.95	1.50	13.53	1.60	14.40	1.72	16.19	1.95	17.96	2.19
	18	9.14	1.12	10.88	1.31	12.95	1.53	13.53	1.63	14.40	1.75	16.19	1.98	17.96	2.23
	20	9.14	1.13	10.88	1.34	12.95	1.56	13.53	1.66	14.40	1.79	16.19	2.02	17.96	2.27
	21	9.14	1.14	10.88	1.35	12.95	1.57	13.53	1.68	14.40	1.80	16.19	2.04	17.96	2.29
	23	9.14	1.16	10.88	1.37	12.95	1.60	13.53	1.71	14.40	1.83	16.19	2.12	17.96	2.44
	25	9.14	1.18	10.88	1.40	12.95	1.66	13.53	1.79	14.40	1.95	16.19	2.27	17.96	2.60
	27	9.14	1.22	10.88	1.48	12.95	1.77	13.53	1.91	14.40	2.08	16.19	2.42	17.96	2.78
	29	9.14	1.29	10.88	1.57	12.95	1.88	13.53	2.04	14.40	2.21	16.19	2.58	17.96	2.97
	31	9.14	1.37	10.88	1.67	12.95	2.00	13.53	2.16	14.40	2.35	16.19	2.74	17.96	3.16
	33	9.14	1.45	10.88	1.77	12.95	2.12	13.53	2.30	14.40	2.50	16.19	2.92	17.96	3.37
	35	9.14	1.54	10.88	1.87	12.95	2.25	13.53	2.44	14.40	2.66	16.19	3.11	17.96	3.59
	37	9.14	1.62	10.88	1.98	12.95	2.38	13.53	2.59	14.43	2.82	16.19	3.30	17.96	3.82
	39	9.14	1.71	10.88	2.10	12.95	2.52	13.53	2.74	14.79	3.00	16.19	3.50	17.96	4.06
41	9.14	1.93	10.88	2.36	12.95	2.83	13.53	2.83	14.25	3.08	15.64	3.60	17.12	4.16	
43	9.14	2.02	10.88	2.46	12.88	2.98	13.53	3.01	14.01	3.20	15.79	3.69	16.75	4.27	
44	8.85	2.10	10.68	2.57	12.47	3.14	13.29	2.95	14.15	3.32	15.58	3.79	16.89	4.37	
46	8.39	2.72	10.23	3.06	12.15	3.25	12.84	3.15	13.78	3.46	15.17	3.97	16.52	4.59	
47	8.16	3.03	10.01	3.31	11.99	3.30	12.62	3.24	13.59	3.54	14.97	4.07	16.34	4.70	
50	6.96	2.94	8.75	3.26	10.68	3.48	11.46	3.51	12.47	3.78	14.13	4.35	15.56	4.91	
52	5.46	2.28	7.35	2.83	9.09	3.19	10.01	3.35	10.05	3.24	10.30	3.19	10.88	3.28	
50%	-5	7.61	0.68	9.06	0.82	10.79	0.97	11.28	1.04	12.00	1.13	13.93	1.31	14.98	1.50
	0	7.61	0.68	9.06	0.82	10.79	0.97	11.28	1.04	12.00	1.13	13.93	1.31	14.98	1.50
	4	7.61	0.69	9.06	0.82	10.79	0.97	11.28	1.05	12.00	1.14	13.93	1.32	14.98	1.51
	7	7.61	0.70	9.06	0.84	10.79	0.99	11.28	1.07	12.00	1.16	13.81	1.34	14.98	1.53
	10	7.61	0.91	9.06	1.05	10.79	1.20	11.28	1.27	12.00	1.35	13.49	1.52	14.98	1.70
	12	7.61	0.91	9.06	1.06	10.79	1.22	11.28	1.29	12.00	1.38	13.49	1.55	14.98	1.73
	14	7.61	0.93	9.06	1.08	10.79	1.23	11.28	1.31	12.00	1.40	13.49	1.58	14.98	1.76
	16	7.61	0.94	9.06	1.09	10.79	1.25	11.28	1.33	12.00	1.42	13.49	1.60	14.98	1.79
	18	7.61	0.95	9.06	1.11	10.79	1.27	11.28	1.35	12.00	1.45	13.49	1.63	14.98	1.82
	20	7.61	0.97	9.06	1.12	10.79	1.29	11.28	1.38	12.00	1.47	13.49	1.66	14.98	1.85
	21	7.61	0.97	9.06	1.14	10.79	1.31	11.28	1.39	12.00	1.49	13.49	1.68	14.98	1.87
	23	7.61	0.99	9.06	1.15	10.79	1.33	11.28	1.42	12.00	1.52	13.49	1.70	14.98	1.91
	25	7.61	1.00	9.06	1.17	10.79	1.35	11.28	1.44	12.00	1.56	13.49	1.79	14.98	2.04
	27	7.61	1.02	9.06	1.22	10.79	1.43	11.28	1.54	12.00	1.66	13.49	1.91	14.98	2.18
	29	7.61	1.08	9.06	1.29	10.79	1.52	11.28	1.63	11.96	1.77	13.49	2.03	14.98	2.32
	31	7.61	1.14	9.06	1.36	10.79	1.62	11.28	1.73	11.96	1.87	13.49	2.16	14.98	2.47
	33	7.61	1.20	9.06	1.44	10.79	1.70	11.28	1.83	11.96	1.99	13.49	2.29	14.98	2.62
	35	7.61	1.27	9.06	1.52	10.79	1.80	11.28	1.94	11.96	2.10	13.49	2.44	14.98	2.79
	37	7.61	1.34	9.06	1.61	10.79	1.91	11.28	2.06	11.99	2.23	13.49	2.58	14.98	2.96
	39	7.61	1.41	9.06	1.70	10.79	2.02	11.28	2.18	12.28	2.37	13.49	2.74	14.98	3.15
41	7.61	1.60	9.06	1.92	10.79	2.27	11.28	2.25	11.84	2.44	13.03	2.82	14.28	3.23	
43	7.61	1.67	9.06	2.01	10.75	2.39	11.28	2.41	11.81	2.54	12.95	2.90	13.93	3.32	
44	7.37	1.74	8.90	2.09	10.39	2.52	11.08	2.35	11.75	2.63	12.99	2.97	14.09	3.40	
46	6.99	2.25	8.53	2.49	10.12	2.60	10.70	2.50	11.44	2.74	12.64	3.12	13.78	3.57	
47	6.80	2.51	8.34	2.69	9.99	2.65	10.51	2.58	11.29	2.80	12.47	3.19	13.63	3.65	
50	5.80	2.44	7.29	2.65	8.90	2.79	9.55	2.79	10.36	2.99	11.78	3.41	12.97	3.82	
52	4.55	1.81	6.12	2.25	7.57	2.54	8.34	2.66	8.38	2.58	8.58	2.54	9.06	2.61	

GMV6 DC Inverter VRF Units Technical Sales Guide

GMV-280WM/G-X

TC—Total capacity of outdoor unit; PI—Power input of outdoor unit

Combination	Outdoor air temp (°C DB)	Indoor air temp													
		14.0°C WB		17.0°C WB		18.0°C WB		19.0°C WB		20.0°C WB		22.0°C WB		24.0°C WB	
		20.0°C DB		24.0°C DB		26.0°C DB		27.0°C DB		28.0°C DB		30.0°C DB		32.0°C DB	
		TC	PI	TC	PI	TC	PI	TC	PI	TC	PI	TC	PI	TC	PI
		kW	kW	kW	kW	kW	kW	kW	kW	kW	kW	kW	kW	kW	
135%	-5	24.8	2.74	29.5	3.34	34.2	3.38	35.5	3.40	36.2	3.41	37.1	3.45	38.0	3.49
	0	24.8	2.75	29.5	3.34	34.2	3.38	35.5	3.40	36.2	3.42	37.1	3.46	38.0	3.50
	4	24.8	2.76	29.5	3.36	34.2	3.40	35.5	3.42	36.2	3.43	37.1	3.47	38.0	3.51
	7	24.8	2.81	29.5	3.42	34.2	3.46	35.5	3.48	36.2	3.50	37.1	3.54	38.0	3.58
	10	24.8	2.86	29.5	3.49	34.2	4.15	35.5	4.24	35.9	4.16	36.9	3.99	37.8	3.80
	12	24.8	2.91	29.5	3.56	34.2	4.24	35.0	4.22	35.5	4.14	36.4	3.95	37.3	3.89
	14	24.8	2.97	29.5	3.63	34.1	4.29	34.6	4.20	35.0	4.11	35.9	4.08	36.9	4.12
	16	24.8	3.02	29.5	3.70	33.7	4.27	34.1	4.24	34.5	4.25	35.4	4.29	36.4	4.34
	18	24.8	3.07	29.5	3.78	33.2	4.43	33.6	4.45	34.1	4.48	35.0	4.52	35.9	4.56
	20	24.8	3.14	29.5	4.02	32.7	4.65	33.2	4.67	33.6	4.70	34.5	4.74	35.4	4.79
	21	24.8	3.23	29.5	4.16	32.5	4.75	33.0	4.78	33.4	4.80	34.3	4.85	35.2	4.90
	23	24.8	3.46	29.5	4.46	32.1	4.97	32.5	5.00	32.9	5.02	33.8	5.07	34.7	5.12
	25	24.8	3.69	29.5	4.78	31.6	5.19	32.1	5.21	32.5	5.25	33.4	5.30	34.3	5.35
	27	24.8	3.94	29.5	5.11	31.2	4.57	31.6	5.44	32.0	5.46	32.9	5.52	33.8	5.58
	29	24.8	4.21	29.5	5.46	30.7	5.62	31.1	5.66	31.6	5.69	32.5	5.75	33.4	5.81
	31	24.8	4.50	29.4	5.78	30.2	5.85	30.7	5.88	31.1	5.91	32.0	5.97	32.9	6.04
	33	24.8	4.79	28.9	6.00	29.8	6.06	30.2	6.10	30.7	6.13	31.6	6.20	32.4	6.27
	35	24.8	5.11	28.4	6.22	29.3	6.29	29.8	6.33	30.2	6.36	31.1	6.43	32.0	6.50
	37	24.8	5.43	28.0	6.44	28.9	6.52	29.3	6.55	29.8	6.59	30.6	6.67	31.5	6.74
	39	24.8	5.78	27.5	6.66	28.4	6.73	28.9	6.78	29.3	6.82	30.2	6.89	31.1	6.98
41	23.4	6.43	27.0	7.83	27.8	7.93	28.3	7.34	28.7	7.38	29.6	7.46	30.5	7.54	
43	22.1	6.71	26.5	8.16	27.3	8.36	27.8	7.80	28.2	7.66	29.0	7.65	29.9	7.73	
44	21.8	6.99	25.6	8.52	26.5	8.81	27.1	8.29	27.6	7.95	28.5	7.85	29.5	7.93	
46	21.0	8.5	25.0	10.4	25.9	9.1	26.5	8.4	26.9	8.3	27.9	8.2	28.8	8.3	
47	20.6	9.31	24.7	11.33	25.6	9.25	26.2	8.41	26.6	8.46	27.5	8.43	28.5	8.52	
50	18.8	9.14	22.1	11.13	22.9	9.75	23.3	9.11	23.7	9.03	24.6	9.01	25.6	8.91	
52	12.0	5.41	16.2	6.73	20.0	7.58	22.0	7.96	22.1	7.69	22.7	7.59	24.0	7.79	
120%	-5	22.9	2.44	27.2	3.16	31.6	3.36	33.8	3.37	35.6	3.39	36.4	3.43	37.2	3.46
	0	22.9	2.45	27.2	3.16	31.6	3.36	33.8	3.38	35.6	3.40	36.4	3.43	37.2	3.47
	4	22.9	2.45	27.2	3.18	31.6	3.37	33.8	3.39	35.6	3.41	36.4	3.45	37.2	3.48
	7	22.9	2.50	27.2	3.24	31.6	3.44	33.8	3.46	35.6	3.47	36.4	3.51	37.2	3.55
	10	22.9	2.61	27.2	3.18	31.6	3.79	33.8	4.09	35.4	4.27	36.3	4.10	37.1	3.94
	12	22.9	2.66	27.2	3.24	31.6	3.86	33.8	4.17	34.9	4.24	35.7	4.09	36.6	3.92
	14	22.9	2.71	27.2	3.31	31.6	3.94	33.8	4.25	34.4	4.22	35.3	4.06	36.2	4.09
	16	22.9	2.76	27.2	3.38	31.6	4.01	33.6	4.29	34.0	4.23	34.8	4.27	35.6	4.30
	18	22.9	2.81	27.2	3.44	31.6	4.15	33.1	4.43	33.5	4.45	34.3	4.49	35.2	4.53
	20	22.9	2.87	27.2	3.58	31.6	4.46	32.7	4.65	33.1	4.66	33.9	4.70	34.7	4.75
	21	22.9	2.89	27.2	3.70	31.6	4.62	32.4	4.75	32.8	4.77	33.7	4.81	34.5	4.86
	23	22.9	3.09	27.2	3.97	31.6	4.95	32.0	4.96	32.4	4.99	33.2	5.04	34.0	5.08
	25	22.9	3.30	27.2	4.24	31.1	5.16	31.5	5.18	31.9	5.21	32.8	5.26	33.6	5.31
	27	22.9	3.53	27.2	4.54	30.7	5.37	31.1	5.41	31.5	5.43	32.3	5.48	33.1	5.53
	29	22.9	3.76	27.2	4.85	30.2	5.59	30.6	5.62	31.0	5.65	31.8	5.71	32.7	5.76
	31	22.9	4.01	27.2	5.17	29.8	5.82	30.2	5.84	30.6	5.87	31.4	5.93	32.2	5.99
	33	22.9	4.27	27.2	5.52	29.3	6.03	29.7	6.07	30.1	6.09	30.9	6.16	31.7	6.22
	35	22.9	4.55	27.2	5.88	28.8	6.25	29.2	6.28	29.7	6.32	30.5	6.38	31.3	6.45
	37	22.9	4.84	27.2	6.27	28.4	6.48	28.8	6.51	29.2	6.54	30.0	6.61	30.8	6.68
	39	22.9	5.15	27.1	6.62	27.9	6.69	28.3	6.73	28.7	6.77	29.6	6.84	30.4	6.91
41	21.6	5.73	25.8	7.41	27.4	7.87	27.8	7.29	28.3	7.33	29.0	7.40	29.8	7.48	
43	20.4	5.97	24.6	7.73	26.8	8.30	27.2	7.74	27.8	7.61	28.5	7.59	29.3	7.68	
44	20.1	6.23	24.5	8.06	26.1	8.75	26.6	8.23	27.1	7.90	27.9	7.79	28.8	7.87	
46	19.4	7.6	23.9	9.8	25.5	9.0	26.0	8.3	26.5	8.2	27.3	8.2	28.2	8.3	
47	19.0	8.29	23.7	10.72	25.2	9.19	25.6	8.36	26.1	8.40	27.0	8.36	27.9	8.45	
50	17.4	8.14	21.2	10.53	22.5	9.69	22.9	9.05	23.3	8.97	24.1	8.94	25.1	8.84	
52	11.8	5.37	15.9	6.69	19.6	7.53	21.6	7.90	21.7	7.64	22.2	7.54	23.5	7.74	

Combination	Outdoor air temp (°C DB)	Indoor air temp													
		14.0°C WB		17.0°C WB		18.0°C WB		19.0°C WB		20.0°C WB		22.0°C WB		24.0°C WB	
		20.0°C DB		24.0°C DB		26.0°C DB		27.0°C DB		28.0°C DB		30.0°C DB		32.0°C DB	
		TC	PI	TC	PI	TC	PI	TC	PI	TC	PI	TC	PI	TC	PI
		kW	kW	kW	kW	kW	kW	kW	kW	kW	kW	kW	kW	kW	
110%	-5	20.9	2.16	25.0	2.78	29.0	3.33	31.0	3.35	33.0	3.37	35.6	3.40	36.3	3.43
	0	20.9	2.16	25.0	2.78	29.0	3.34	31.0	3.36	33.0	3.38	35.6	3.41	36.3	3.44
	4	20.9	2.17	25.0	2.79	29.0	3.35	31.0	3.37	33.0	3.39	35.6	3.42	36.3	3.45
	7	20.9	2.21	25.0	2.84	29.0	3.41	31.0	3.43	33.0	3.45	35.6	3.48	36.3	3.52
	10	20.9	2.36	25.0	2.88	29.0	3.43	31.0	3.70	33.0	3.99	35.5	4.23	36.4	4.09
	12	20.9	2.41	25.0	2.94	29.0	3.49	31.0	3.78	33.0	4.06	35.1	4.21	35.8	4.06
	14	20.9	2.46	25.0	2.99	29.0	3.56	31.0	3.84	33.0	4.14	34.6	4.21	35.4	4.05
	16	20.9	2.50	25.0	3.05	29.0	3.63	31.0	3.92	33.0	4.22	34.2	4.24	34.9	4.28
	18	20.9	2.55	25.0	3.11	29.0	3.70	31.0	4.03	33.0	4.42	33.7	4.45	34.5	4.50
	20	20.9	2.60	25.0	3.18	29.0	3.92	31.0	4.33	32.5	4.64	33.3	4.67	34.0	4.71
	21	20.9	2.62	25.0	3.27	29.0	4.06	31.0	4.49	32.3	4.75	33.0	4.78	33.8	4.82
	23	20.9	2.75	25.0	3.50	29.0	4.35	31.0	4.81	31.8	4.95	32.6	5.00	33.3	5.05
	25	20.9	2.92	25.0	3.74	29.0	4.65	31.0	5.16	31.4	5.17	32.1	5.22	32.9	5.26
	27	20.9	3.12	25.0	4.00	29.0	4.98	30.5	5.37	30.9	5.39	31.7	5.44	32.4	5.49
	29	20.9	3.33	25.0	4.27	29.0	5.32	30.1	5.59	30.5	5.61	31.2	5.66	32.0	5.72
	31	20.9	3.55	25.0	4.55	29.0	5.68	29.6	5.81	30.0	5.83	30.8	5.88	31.5	5.94
	33	20.9	3.78	25.0	4.85	28.8	5.99	29.2	6.02	29.6	6.05	30.3	6.11	31.1	6.17
	35	20.9	4.02	25.0	5.17	28.4	6.21	28.7	6.24	29.1	6.27	29.8	6.33	30.6	6.39
	37	20.9	4.28	25.0	5.51	27.9	6.43	28.3	6.46	28.6	6.49	29.4	6.56	30.1	6.62
	39	20.9	4.55	25.0	5.87	27.4	6.65	27.8	6.68	28.2	6.72	28.9	6.78	29.7	6.85
41	19.8	5.06	23.7	6.52	27.0	7.82	27.3	7.24	27.7	7.28	28.4	7.35	29.2	7.41	
43	18.7	5.28	22.5	6.80	26.6	8.24	26.8	7.70	27.2	7.56	27.9	7.53	28.7	7.60	
44	18.4	5.51	22.5	7.09	25.7	8.69	26.1	8.18	26.6	7.84	27.3	7.73	28.2	7.80	
46	17.7	6.7	22.0	8.6	25.1	9.0	25.5	8.3	25.9	8.2	26.7	8.1	27.6	8.2	
47	17.4	7.33	21.7	9.43	24.8	9.13	25.2	8.30	25.6	8.35	26.4	8.30	27.2	8.37	
50	15.9	7.19	19.5	9.26	22.2	9.62	22.5	8.99	22.8	8.91	23.5	8.87	24.5	8.76	
52	11.6	5.34	15.6	6.64	19.3	7.48	21.2	7.85	21.3	7.59	21.8	7.49	23.1	7.69	
100%	-5	19.0	1.89	22.7	2.42	26.4	3.01	28.0	3.33	30.0	3.35	33.7	3.38	35.6	3.41
	0	19.0	1.89	22.7	2.42	26.4	3.02	28.0	3.34	30.0	3.35	33.7	3.38	35.6	3.41
	4	19.0	1.90	22.7	2.43	26.4	3.03	28.0	3.35	30.0	3.36	33.7	3.39	35.6	3.43
	7	19.0	1.93	22.7	2.47	26.4	3.09	28.0	3.41	30.0	3.43	33.7	3.46	35.6	3.49
	10	19.0	2.14	22.7	2.60	26.4	3.07	28.0	3.32	30.0	3.58	33.7	4.06	35.6	4.22
	12	19.0	2.17	22.7	2.63	26.4	3.11	28.0	3.36	30.0	3.65	33.7	4.13	35.1	4.18
	14	19.0	2.20	22.7	2.68	26.4	3.17	28.0	3.42	30.0	3.72	33.7	4.20	34.7	4.15
	16	19.0	2.25	22.7	2.74	26.4	3.24	28.0	3.50	30.0	3.80	33.6	4.29	34.2	4.24
	18	19.0	2.31	22.7	2.80	26.4	3.30	28.0	3.57	30.0	3.88	33.1	4.38	33.8	4.44
	20	19.0	2.34	22.7	2.84	26.4	3.41	28.0	3.76	30.0	4.13	32.6	4.61	33.3	4.68
	21	19.0	2.36	22.7	2.87	26.4	3.53	28.0	3.89	30.0	4.27	32.4	4.76	33.1	4.81
	23	19.0	2.42	22.7	3.07	26.4	3.79	28.0	4.18	30.0	4.59	32.0	5.04	32.6	5.08
	25	19.0	2.58	22.7	3.26	26.4	4.04	28.0	4.44	30.0	4.91	31.5	5.22	32.2	5.27
	27	19.0	2.76	22.7	3.49	26.4	4.33	28.0	4.77	30.0	5.26	31.0	5.41	31.7	5.45
	29	19.0	2.92	22.7	3.73	26.4	4.63	28.0	5.10	29.9	5.58	30.6	5.67	31.3	5.72
	31	19.0	3.11	22.7	3.97	26.4	4.94	28.0	5.50	29.5	5.80	29.9	5.90	30.8	5.95
	33	19.0	3.30	22.7	4.23	26.4	5.26	28.0	5.82	29.0	6.01	29.7	6.07	30.4	6.12
	35	19.0	3.51	22.7	4.50	26.4	5.61	28.0	6.20	28.5	6.23	29.2	6.29	29.9	6.34
	37	19.0	3.74	22.7	4.79	26.4	5.98	27.7	6.42	28.1	6.46	28.8	6.50	29.5	6.56
	39	19.0	3.99	22.7	5.10	26.4	6.36	27.3	6.63	27.5	6.67	28.4	6.72	28.8	6.78
41	18.0	4.43	21.5	5.67	25.1	7.07	26.8	7.19	27.1	7.23	27.8	7.29	28.5	7.36	
43	17.0	4.62	20.4	5.91	24.5	7.45	26.3	7.64	26.7	7.50	27.2	7.48	28.2	7.55	
44	16.7	4.81	20.4	6.16	23.9	7.86	25.7	8.12	26.0	7.79	26.7	7.67	27.5	7.74	
46	16.1	5.9	19.9	7.5	23.3	8.1	25.1	8.2	25.4	8.1	26.1	8.0	26.9	8.1	
47	15.8	6.41	19.7	8.20	23.1	8.25	24.8	8.25	25.1	8.29	25.8	8.24	26.6	8.31	
50	14.5	6.29	17.7	8.05	20.6	8.70	22.1	8.93	22.4	8.85	23.1	8.80	23.9	8.69	
52	11.4	4.86	15.3	6.05	18.9	6.81	20.8	7.15	20.9	6.91	21.4	6.82	22.7	7.00	

GMV6 DC Inverter VRF Units Technical Sales Guide

Combination	Outdoor air temp (°C DB)	Indoor air temp													
		14.0°C WB		17.0°C WB		18.0°C WB		19.0°C WB		20.0°C WB		22.0°C WB		24.0°C WB	
		20.0°C DB		24.0°C DB		26.0°C DB		27.0°C DB		28.0°C DB		30.0°C DB		32.0°C DB	
		TC	PI	TC	PI	TC	PI	TC	PI	TC	PI	TC	PI	TC	PI
		kW	kW	kW	kW	kW	kW	kW	kW	kW	kW	kW	kW	kW	
90%	-5	17.1	1.65	20.4	2.08	23.7	2.57	25.4	2.84	27.0	3.13	30.3	3.35	33.6	3.38
	0	17.1	1.65	20.4	2.09	23.7	2.58	25.4	2.85	27.0	3.13	30.3	3.35	33.6	3.38
	4	17.1	1.66	20.4	2.10	23.7	2.59	25.4	2.86	27.0	3.14	30.3	3.37	33.6	3.40
	7	17.1	1.69	20.4	2.13	23.7	2.64	25.4	2.91	27.0	3.20	30.3	3.43	33.6	3.46
	10	17.1	1.87	20.4	2.24	23.7	2.62	25.4	2.96	27.0	3.15	30.4	3.61	33.6	4.09
	12	17.1	1.89	20.4	2.27	23.7	2.66	25.4	3.00	27.0	3.21	30.4	3.67	33.6	4.14
	14	17.1	1.92	20.4	2.31	23.7	2.71	25.4	3.04	27.0	3.26	30.4	3.73	33.6	4.21
	16	17.1	1.97	20.4	2.36	23.7	2.77	25.4	3.11	27.0	3.34	30.4	3.82	33.5	4.29
	18	17.1	2.01	20.4	2.42	23.7	2.82	25.4	3.17	27.0	3.40	30.4	3.91	33.2	4.45
	20	17.1	2.04	20.4	2.45	23.7	2.91	25.4	3.24	27.0	3.54	30.4	4.20	32.6	4.63
	21	17.1	2.06	20.4	2.48	23.7	3.01	25.4	3.34	27.0	3.67	30.4	4.34	32.4	4.73
	23	17.1	2.12	20.4	2.65	23.7	3.24	25.4	3.59	27.0	3.92	30.4	4.66	31.9	4.98
	25	17.1	2.25	20.4	2.82	23.7	3.45	25.4	3.84	27.0	4.20	30.4	4.99	31.5	5.18
	27	17.1	2.40	20.4	3.01	23.7	3.70	25.4	4.09	27.0	4.49	30.4	5.32	31.0	5.41
	29	17.1	2.55	20.4	3.21	23.7	3.95	25.4	4.37	27.0	4.80	30.0	5.58	30.6	5.63
	31	17.1	2.71	20.4	3.42	23.7	4.22	25.4	4.67	27.0	5.12	29.5	5.78	30.1	5.86
	33	17.1	2.88	20.4	3.64	23.7	4.49	25.4	4.97	27.0	5.45	29.1	6.01	29.7	6.07
	35	17.1	3.07	20.4	3.88	23.7	4.79	25.4	5.29	27.0	5.82	28.6	6.23	29.2	6.29
	37	17.1	3.27	20.4	4.13	23.7	5.10	24.9	5.49	27.0	6.23	28.1	6.46	28.8	6.44
	39	17.1	3.48	20.4	4.40	23.7	5.43	24.6	5.67	27.0	6.61	27.7	6.69	28.3	6.68
41	16.2	3.86	19.4	4.89	22.6	6.04	24.1	6.14	25.7	6.76	27.2	7.23	27.8	7.29	
43	15.3	4.03	18.4	5.10	22.0	6.37	23.7	6.53	25.2	7.01	26.8	7.41	27.4	7.49	
44	15.1	4.20	18.4	5.32	21.5	6.71	23.1	6.94	24.7	7.28	26.2	7.60	26.9	7.67	
46	14.5	5.1	17.9	6.5	21.0	6.9	22.6	7.0	24.1	7.6	25.6	8.0	26.3	8.0	
47	14.2	5.59	17.7	7.08	20.8	7.04	22.3	7.04	23.8	7.75	25.3	8.16	26.0	8.24	
50	13.0	5.49	15.9	6.95	18.5	7.43	19.9	7.62	21.2	8.27	22.6	8.72	23.4	8.61	
52	10.2	4.53	13.8	5.64	17.0	6.35	18.8	6.66	18.9	6.44	19.5	6.36	20.4	6.53	
80%	-5	15.2	1.42	18.1	1.75	21.1	2.18	22.6	2.40	24.0	2.62	27.0	3.11	29.9	3.34
	0	15.2	1.42	18.1	1.76	21.1	2.18	22.6	2.40	24.0	2.63	27.0	3.12	29.9	3.34
	4	15.2	1.43	18.1	1.76	21.1	2.19	22.6	2.41	24.0	2.64	27.0	3.13	29.9	3.36
	7	15.2	1.46	18.1	1.80	21.1	2.23	22.6	2.46	24.0	2.69	27.0	3.19	29.9	3.42
	10	15.2	1.70	18.1	2.03	21.1	2.39	22.6	2.57	24.0	2.76	27.0	3.15	29.9	3.66
	12	15.2	1.72	18.1	2.06	21.1	2.43	22.6	2.62	24.0	2.81	27.0	3.20	29.9	3.63
	14	15.2	1.75	18.1	2.11	21.1	2.47	22.6	2.67	24.0	2.86	27.0	3.26	29.9	3.71
	16	15.2	1.78	18.1	2.14	21.1	2.52	22.6	2.72	24.0	2.90	27.0	3.33	29.9	3.84
	18	15.2	1.81	18.1	2.18	21.1	2.58	22.6	2.77	24.0	2.96	27.0	3.41	29.9	4.11
	20	15.2	1.85	18.1	2.22	21.1	2.62	22.6	2.82	24.0	3.03	27.0	3.53	29.9	4.26
	21	15.2	1.86	18.1	2.24	21.1	2.65	22.6	2.86	24.0	3.09	27.0	3.66	29.9	4.56
	23	15.2	1.90	18.1	2.29	21.1	2.77	22.6	3.04	24.0	3.31	27.0	3.91	29.9	4.88
	25	15.2	1.96	18.1	2.43	21.1	2.97	22.6	3.25	24.0	3.53	27.0	4.19	29.9	5.20
	27	15.2	2.08	18.1	2.59	21.1	3.16	22.6	3.47	24.0	3.79	27.0	4.47	29.9	5.39
	29	15.2	2.21	18.1	2.76	21.1	3.37	22.6	3.69	23.9	4.04	27.0	4.77	29.9	5.58
	31	15.2	2.35	18.1	2.93	21.1	3.58	22.6	3.94	23.9	4.31	27.0	5.09	29.4	5.79
	33	15.2	2.50	18.1	3.27	21.1	3.82	22.6	4.19	23.9	4.59	27.0	5.43	29.0	6.00
	35	15.2	2.65	18.1	3.27	21.1	4.06	22.6	4.47	23.9	4.89	27.0	5.80	28.5	6.21
	37	15.2	2.81	18.1	3.52	21.1	4.32	22.2	4.76	23.9	5.20	27.0	6.18	28.1	6.44
	39	15.2	2.97	18.1	3.73	21.1	4.60	21.9	5.07	23.9	5.54	27.0	6.58	27.6	6.68
41	14.4	3.34	17.2	4.12	20.1	5.12	21.4	5.19	22.8	5.67	25.7	6.73	27.2	7.21	
43	13.6	3.48	16.7	4.30	19.5	5.39	21.0	5.51	22.3	5.88	25.2	6.90	26.7	7.39	
44	13.4	3.63	16.3	4.48	19.1	5.69	20.5	5.86	21.8	6.11	24.7	7.08	26.2	7.58	
46	12.9	4.4	16.0	5.5	18.7	5.9	20.0	5.9	21.3	6.4	24.2	7.4	25.6	8.0	
47	12.6	4.83	15.8	5.96	18.5	5.97	19.8	5.95	21.1	6.50	23.9	7.60	25.4	8.14	
50	11.6	4.74	14.1	5.85	16.5	6.29	17.7	6.44	18.8	6.94	21.3	8.12	22.8	8.51	
52	9.1	3.82	12.2	4.76	15.1	5.35	16.7	5.62	16.8	5.44	17.2	5.36	18.1	5.51	

Combination	Outdoor air temp (°C DB)	Indoor air temp													
		14.0°C WB		17.0°C WB		18.0°C WB		19.0°C WB		20.0°C WB		22.0°C WB		24.0°C WB	
		20.0°C DB		24.0°C DB		26.0°C DB		27.0°C DB		28.0°C DB		30.0°C DB		32.0°C DB	
		TC	PI	TC	PI	TC	PI	TC	PI	TC	PI	TC	PI	TC	PI
		kW	kW	kW	kW	kW	kW	kW	kW	kW	kW	kW	kW	kW	
70%	-5	13.3	1.21	15.9	1.50	18.5	1.82	19.7	1.99	21.0	2.17	23.6	2.56	26.2	2.97
	0	13.3	1.21	15.9	1.50	18.5	1.82	19.7	2.00	21.0	2.18	23.6	2.56	26.2	2.98
	4	13.3	1.22	15.9	1.51	18.5	1.83	19.7	2.00	21.0	2.18	23.6	2.57	26.2	2.99
	7	13.3	1.24	15.9	1.53	18.5	1.86	19.7	2.04	21.0	2.22	23.6	2.62	26.2	3.05
	10	13.3	1.50	15.9	1.77	18.5	2.06	19.7	2.22	21.0	2.38	23.6	2.71	26.2	3.04
	12	13.3	1.51	15.9	1.80	18.5	2.11	19.7	2.26	21.0	2.42	23.6	2.76	26.2	3.10
	14	13.3	1.54	15.9	1.83	18.5	2.14	19.7	2.30	21.0	2.46	23.6	2.81	26.2	3.16
	16	13.3	1.56	15.9	1.86	18.5	2.18	19.7	2.35	21.0	2.51	23.6	2.86	26.2	3.22
	18	13.3	1.59	15.9	1.90	18.5	2.22	19.7	2.39	21.0	2.56	23.6	2.92	26.2	3.28
	20	13.3	1.61	15.9	1.93	18.5	2.26	19.7	2.43	21.0	2.61	23.6	2.97	26.2	3.38
	21	13.3	1.63	15.9	1.95	18.5	2.28	19.7	2.46	21.0	2.63	23.6	3.01	26.2	3.49
	23	13.3	1.65	15.9	1.98	18.5	2.33	19.7	2.54	21.0	2.77	23.6	3.23	26.2	3.74
	25	13.3	1.69	15.9	2.06	18.5	2.48	19.7	2.72	21.0	2.95	23.6	3.46	26.2	4.00
	27	13.3	1.79	15.9	2.20	18.5	2.65	19.7	2.89	21.0	3.15	23.6	3.69	26.2	4.28
	29	13.3	1.90	15.9	2.33	18.5	2.82	19.7	3.08	21.0	3.35	23.6	3.94	26.2	4.57
	31	13.3	2.01	15.9	2.47	18.5	3.00	19.7	3.28	21.0	3.57	23.6	4.19	26.2	4.87
	33	13.3	2.13	15.9	2.63	18.5	3.19	19.7	3.48	21.0	3.80	23.6	4.47	26.2	5.20
	35	13.3	2.26	15.9	2.79	18.5	3.38	19.7	3.71	21.0	4.04	23.6	4.76	26.2	5.54
	37	13.3	2.38	15.9	2.96	18.5	3.60	19.4	3.94	21.0	4.30	23.6	5.07	26.2	5.90
	39	13.3	2.52	15.9	3.13	18.5	3.82	19.1	4.19	21.0	4.57	23.6	5.39	26.2	6.28
41	12.6	2.84	15.1	3.52	17.5	4.26	18.8	4.30	20.0	4.69	22.5	5.52	25.0	6.43	
43	11.9	2.96	14.6	3.67	16.9	4.49	18.4	4.57	19.0	4.87	22.1	5.66	24.3	6.59	
44	11.7	3.09	14.3	3.82	16.7	4.74	18.0	4.86	19.2	5.06	21.6	5.81	24.1	6.76	
46	11.3	3.8	14.0	4.7	16.3	4.9	17.5	4.9	18.7	5.3	21.1	6.1	23.6	7.1	
47	11.1	4.11	13.8	5.09	16.2	4.97	17.3	4.93	18.5	5.38	20.9	6.24	23.3	7.26	
50	10.1	4.04	12.4	5.00	14.4	5.25	15.5	5.34	16.5	5.74	18.6	6.67	20.9	7.59	
52	8.0	3.17	10.7	3.95	13.3	4.40	14.6	4.67	14.7	4.51	15.0	4.45	15.9	4.57	
60%	-5	11.4	1.02	13.6	1.24	15.8	1.49	16.9	1.62	18.0	1.76	20.2	2.06	22.5	2.38
	0	11.4	1.02	13.6	1.25	15.8	1.49	16.9	1.63	18.0	1.77	20.2	2.06	22.5	2.38
	4	11.4	1.02	13.6	1.25	15.8	1.50	16.9	1.63	18.0	1.77	20.2	2.07	22.5	2.39
	7	11.4	1.04	13.6	1.27	15.8	1.53	16.9	1.66	18.0	1.81	20.2	2.11	22.5	2.44
	10	11.4	1.30	13.6	1.52	15.8	1.76	16.9	1.89	18.0	2.01	20.2	2.28	22.5	2.56
	12	11.4	1.32	13.6	1.55	15.8	1.80	16.9	1.92	18.0	2.05	20.2	2.32	22.5	2.60
	14	11.4	1.34	13.6	1.57	15.8	1.82	16.9	1.96	18.0	2.09	20.2	2.36	22.5	2.65
	16	11.4	1.35	13.6	1.60	15.8	1.85	16.9	1.99	18.0	2.12	20.2	2.41	22.5	2.70
	18	11.4	1.38	13.6	1.62	15.8	1.89	16.9	2.02	18.0	2.16	20.2	2.45	22.5	2.75
	20	11.4	1.40	13.6	1.65	15.8	1.92	16.9	2.06	18.0	2.21	20.2	2.50	22.5	2.81
	21	11.4	1.41	13.6	1.66	15.8	1.94	16.9	2.08	18.0	2.22	20.2	2.52	22.5	2.83
	23	11.4	1.43	13.6	1.70	15.8	1.97	16.9	2.12	18.0	2.26	20.2	2.62	22.5	3.02
	25	11.4	1.45	13.6	1.73	15.8	2.05	16.9	2.22	18.0	2.41	20.2	2.80	22.5	3.22
	27	11.4	1.51	13.6	1.83	15.8	2.18	16.9	2.37	18.0	2.57	20.2	2.98	22.5	3.43
	29	11.4	1.60	13.6	1.94	15.8	2.32	16.9	2.52	18.0	2.73	20.2	3.18	22.5	3.67
	31	11.4	1.70	13.6	2.06	15.8	2.46	16.9	2.68	18.0	2.91	20.2	3.38	22.5	3.90
	33	11.4	1.79	13.6	2.18	15.8	2.62	16.9	2.85	18.0	3.09	20.2	3.60	22.5	4.16
	35	11.4	1.90	13.6	2.31	15.8	2.77	16.9	3.02	18.0	3.28	20.2	3.84	22.5	4.43
	37	11.4	2.01	13.6	2.45	15.8	2.94	16.6	3.21	18.0	3.48	20.2	4.08	22.5	4.71
	39	11.4	2.11	13.6	2.59	15.8	3.12	16.4	3.40	18.0	3.70	20.2	4.33	22.5	5.01
41	10.8	2.39	12.9	2.92	15.0	3.50	16.1	3.51	17.1	3.81	19.3	4.45	21.4	5.14	
43	10.2	2.49	12.3	3.04	14.6	3.68	15.8	3.73	16.6	3.95	19.0	4.56	20.9	5.27	
44	10.0	2.60	12.2	3.17	14.3	3.88	15.4	3.96	16.4	4.10	18.5	4.68	20.7	5.40	
46	9.7	3.2	12.0	3.9	14.0	4.0	15.0	4.0	16.0	4.3	18.1	4.9	20.2	5.7	
47	9.5	3.46	11.8	4.22	13.9	4.08	14.9	4.02	15.8	4.37	17.9	5.02	20.0	5.80	
50	8.7	3.40	10.6	4.14	12.4	4.30	13.2	4.36	14.1	4.66	16.0	5.37	18.0	6.07	
52	6.8	2.59	9.2	3.22	11.4	3.62	12.5	3.80	12.6	3.68	12.9	3.63	13.6	3.73	

GMV6 DC Inverter VRF Units Technical Sales Guide

Combination	Outdoor air temp (°C DB)	Indoor air temp													
		14.0°C WB		17.0°C WB		18.0°C WB		19.0°C WB		20.0°C WB		22.0°C WB		24.0°C WB	
		20.0°C DB		24.0°C DB		26.0°C DB		27.0°C DB		28.0°C DB		30.0°C DB		32.0°C DB	
		TC	PI	TC	PI	TC	PI	TC	PI	TC	PI	TC	PI	TC	PI
		kW	kW	kW	kW	kW	kW	kW	kW	kW	kW	kW	kW	kW	
50%	-5	9.5	0.84	11.3	1.01	13.2	1.19	14.1	1.29	15.0	1.40	16.9	1.62	18.7	1.85
	0	9.5	0.85	11.3	1.01	13.2	1.20	14.1	1.29	15.0	1.40	16.9	1.62	18.7	1.85
	4	9.5	0.85	11.3	1.02	13.2	1.20	14.1	1.30	15.0	1.40	16.9	1.62	18.7	1.86
	7	9.5	0.86	11.3	1.03	13.2	1.22	14.1	1.32	15.0	1.43	16.9	1.65	18.7	1.89
	10	9.5	1.12	11.3	1.30	13.2	1.48	14.1	1.58	15.0	1.67	16.9	1.88	18.7	2.10
	12	9.5	1.13	11.3	1.31	13.2	1.50	14.1	1.60	15.0	1.70	16.9	1.91	18.7	2.13
	14	9.5	1.14	11.3	1.33	13.2	1.52	14.1	1.63	15.0	1.73	16.9	1.95	18.7	2.17
	16	9.5	1.16	11.3	1.35	13.2	1.55	14.1	1.65	15.0	1.75	16.9	1.98	18.7	2.21
	18	9.5	1.18	11.3	1.37	13.2	1.57	14.1	1.68	15.0	1.79	16.9	2.01	18.7	2.25
	20	9.5	1.19	11.3	1.39	13.2	1.60	14.1	1.71	15.0	1.82	16.9	2.06	18.7	2.29
	21	9.5	1.20	11.3	1.40	13.2	1.61	14.1	1.72	15.0	1.84	16.9	2.07	18.7	2.31
	23	9.5	1.22	11.3	1.42	13.2	1.64	14.1	1.75	15.0	1.87	16.9	2.11	18.7	2.36
	25	9.5	1.24	11.3	1.45	13.2	1.67	14.1	1.79	15.0	1.93	16.9	2.21	18.7	2.52
	27	9.5	1.26	11.3	1.50	13.2	1.76	14.1	1.91	15.0	2.05	16.9	2.36	18.7	2.69
	29	9.5	1.33	11.3	1.59	13.2	1.87	14.1	2.02	15.0	2.18	16.9	2.51	18.7	2.87
	31	9.5	1.40	11.3	1.68	13.2	2.00	14.1	2.15	15.0	2.31	16.9	2.67	18.7	3.05
	33	9.5	1.49	11.3	1.78	13.2	2.11	14.1	2.27	15.0	2.46	16.9	2.83	18.7	3.24
	35	9.5	1.57	11.3	1.88	13.2	2.22	14.1	2.41	15.0	2.60	16.9	3.01	18.7	3.44
	37	9.5	1.65	11.3	1.99	13.2	2.36	13.8	2.55	15.0	2.76	16.9	3.19	18.7	3.66
	39	9.5	1.75	11.3	2.10	13.2	2.49	13.7	2.70	15.0	2.92	16.9	3.38	18.7	3.89
41	9.0	1.98	10.8	2.37	12.5	2.80	13.4	2.79	14.2	3.01	16.1	3.49	17.8	3.99	
43	8.5	2.07	10.2	2.49	12.2	2.95	13.1	2.99	14.0	3.13	15.6	3.58	17.4	4.10	
44	8.4	2.15	10.2	2.58	11.9	3.11	12.8	3.15	13.7	3.25	15.4	3.67	17.2	4.20	
46	8.1	2.6	10.0	3.1	11.7	3.2	12.5	3.2	13.3	3.4	15.1	3.9	16.9	4.4	
47	7.9	2.86	9.9	3.43	11.5	3.27	12.4	3.20	13.2	3.46	14.9	3.94	16.7	4.51	
50	7.2	2.81	8.8	3.37	10.3	3.44	11.0	3.47	11.7	3.69	13.3	4.21	15.0	4.72	
52	5.7	2.06	7.7	2.56	9.5	2.88	10.4	3.03	10.5	2.93	10.7	2.89	11.3	2.96	

GMV-335WM/G-X

TC—Total capacity of outdoor unit; PI—Power input of outdoor unit

Combination	Outdoor air temp (°C DB)	Indoor air temp													
		14.0°C WB		17.0°C WB		18.0°C WB		19.0°C WB		20.0°C WB		22.0°C WB		24.0°C WB	
		20.0°C DB		24.0°C DB		26.0°C DB		27.0°C DB		28.0°C DB		30.0°C DB		32.0°C DB	
		TC	PI	TC	PI	TC	PI	TC	PI	TC	PI	TC	PI	TC	PI
		kW	kW	kW	kW	kW	kW	kW	kW	kW	kW	kW	kW	kW	
135%	-5	29.6	3.40	35.3	4.15	41.0	4.20	42.5	4.22	43.3	4.24	44.4	4.29	45.5	4.34
	0	29.6	3.41	35.3	4.15	41.0	4.20	42.5	4.23	43.3	4.25	44.4	4.30	45.5	4.34
	4	29.6	3.42	35.3	4.17	41.0	4.22	42.5	4.24	43.3	4.26	44.4	4.31	45.5	4.36
	7	29.6	3.49	35.3	4.25	41.0	4.30	42.5	4.32	43.3	4.34	44.4	4.39	45.5	4.44
	10	29.6	3.55	35.3	4.34	41.0	5.16	42.5	5.27	43.0	5.17	44.1	4.95	45.2	4.72
	12	29.6	3.61	35.3	4.42	41.0	5.26	41.9	5.24	42.5	5.14	43.5	4.91	44.6	4.84
	14	29.6	3.68	35.3	4.50	40.8	5.32	41.4	5.22	41.9	5.11	43.0	5.06	44.1	5.12
	16	29.6	3.75	35.3	4.60	40.4	5.30	40.8	5.26	41.3	5.28	42.4	5.33	43.5	5.39
	18	29.6	3.82	35.3	4.69	39.8	5.50	40.2	5.53	40.8	5.56	41.9	5.61	43.0	5.67
	20	29.6	3.90	35.3	4.99	39.2	5.77	39.8	5.80	40.2	5.83	41.3	5.88	42.4	5.95
	21	29.6	4.01	35.3	5.17	38.9	5.90	39.5	5.94	40.0	5.97	41.1	6.03	42.2	6.08
	23	29.6	4.30	35.3	5.54	38.4	6.17	38.9	6.21	39.4	6.24	40.5	6.30	41.6	6.36
	25	29.6	4.59	35.3	5.94	37.8	6.44	38.4	6.48	38.9	6.52	40.0	6.58	41.1	6.64
	27	29.6	4.90	35.3	6.35	37.3	6.68	37.8	6.76	38.3	6.79	39.4	6.86	40.5	6.93
	29	29.6	5.23	35.3	6.79	36.7	6.98	37.2	7.03	37.8	7.07	38.9	7.14	40.0	7.21
	31	29.6	5.58	35.2	7.18	36.1	7.26	36.7	7.31	37.2	7.34	38.3	7.42	39.4	7.50
	33	29.6	5.95	34.6	7.45	35.7	7.52	36.1	7.58	36.7	7.62	37.8	7.70	38.8	7.79
	35	29.6	6.34	34.0	7.72	35.1	7.81	35.7	7.86	36.1	7.90	37.2	7.99	38.3	8.07
	37	29.6	6.75	33.5	8.00	34.6	8.09	35.1	8.14	35.7	8.19	36.6	8.28	37.7	8.37
	39	29.6	7.18	32.9	8.27	34.0	8.36	34.6	8.42	35.1	8.47	36.1	8.56	37.2	8.67
41	28.0	7.99	32.3	9.73	33.3	9.85	33.9	9.11	34.4	9.16	35.4	9.27	36.5	9.37	
43	26.5	8.33	31.7	10.14	32.7	10.38	33.2	9.68	33.7	9.51	34.8	9.50	35.8	9.60	
44	26.1	8.69	30.6	10.58	31.7	10.94	32.5	10.29	33.0	9.87	34.1	9.75	35.2	9.85	
46	25.1	10.6	29.9	12.9	31.0	11.3	31.7	10.4	32.2	10.3	33.3	10.2	34.5	10.3	
47	24.6	11.56	29.6	14.07	30.7	11.49	31.3	10.45	31.8	10.50	32.9	10.47	34.1	10.58	
50	22.5	11.35	26.5	13.82	27.4	12.11	27.9	11.31	28.4	11.21	29.4	11.19	30.6	11.06	
52	14.4	6.72	19.4	8.36	23.9	9.41	26.4	9.88	26.5	9.55	27.1	9.43	28.7	9.68	
120%	-5	27.3	3.03	32.5	3.92	37.8	4.17	40.5	4.19	42.6	4.21	43.6	4.26	44.5	4.30
	0	27.3	3.04	32.5	3.93	37.8	4.18	40.5	4.20	42.6	4.22	43.6	4.27	44.5	4.31
	4	27.3	3.05	32.5	3.95	37.8	4.19	40.5	4.21	42.6	4.24	43.6	4.28	44.5	4.33
	7	27.3	3.10	32.5	4.02	37.8	4.27	40.5	4.29	42.6	4.31	43.6	4.36	44.5	4.41
	10	27.3	3.24	32.5	3.95	37.8	4.70	40.5	5.08	42.4	5.30	43.4	5.10	44.3	4.90
	12	27.3	3.30	32.5	4.03	37.8	4.79	40.5	5.18	41.8	5.27	42.8	5.07	43.7	4.87
	14	27.3	3.36	32.5	4.11	37.8	4.89	40.5	5.28	41.2	5.24	42.3	5.04	43.3	5.07
	16	27.3	3.42	32.5	4.19	37.8	4.98	40.2	5.32	40.7	5.25	41.7	5.30	42.6	5.34
	18	27.3	3.49	32.5	4.28	37.8	5.16	39.6	5.50	40.1	5.52	41.1	5.57	42.2	5.62
	20	27.3	3.56	32.5	4.44	37.8	5.54	39.2	5.77	39.6	5.79	40.6	5.84	41.6	5.89
	21	27.3	3.59	32.5	4.60	37.8	5.74	38.8	5.90	39.3	5.93	40.4	5.98	41.3	6.04
	23	27.3	3.84	32.5	4.93	37.8	6.14	38.3	6.16	38.8	6.20	39.8	6.26	40.7	6.31
	25	27.3	4.10	32.5	5.27	37.2	6.41	37.7	6.43	38.2	6.47	39.3	6.53	40.2	6.59
	27	27.3	4.38	32.5	5.63	36.7	6.67	37.2	6.71	37.7	6.75	38.7	6.81	39.6	6.87
	29	27.3	4.67	32.5	6.02	36.1	6.94	36.6	6.98	37.1	7.02	38.1	7.09	39.2	7.15
	31	27.3	4.98	32.5	6.42	35.7	7.22	36.1	7.25	36.6	7.30	37.6	7.37	38.6	7.44
	33	27.3	5.30	32.5	6.86	35.1	7.49	35.5	7.53	36.0	7.57	37.0	7.65	38.0	7.72
	35	27.3	5.65	32.5	7.31	34.5	7.76	34.9	7.80	35.5	7.85	36.5	7.93	37.5	8.01
	37	27.3	6.01	32.5	7.78	34.0	8.04	34.5	8.08	34.9	8.13	35.9	8.21	36.9	8.30
	39	27.3	6.39	32.4	8.22	33.4	8.31	33.9	8.36	34.3	8.41	35.4	8.50	36.4	8.58
41	25.8	7.11	30.9	9.21	32.7	9.78	33.2	9.05	33.8	9.10	34.8	9.20	35.7	9.29	
43	24.4	7.41	29.5	9.60	32.1	10.31	32.6	9.62	33.3	9.45	34.1	9.43	35.0	9.53	
44	24.1	7.73	29.3	10.01	31.2	10.87	31.8	10.22	32.4	9.81	33.4	9.67	34.5	9.77	
46	23.2	9.4	28.6	12.2	30.5	11.2	31.0	10.3	31.7	10.2	32.7	10.1	33.7	10.3	
47	22.7	10.29	28.3	13.32	30.1	11.41	30.7	10.38	31.3	10.43	32.3	10.39	33.3	10.49	
50	20.8	10.11	25.4	13.08	26.9	12.03	27.4	11.24	27.9	11.14	28.8	11.10	30.0	10.98	
52	14.1	6.67	19.0	8.31	23.5	9.35	25.8	9.81	26.0	9.49	26.6	9.36	28.1	9.61	

GMV6 DC Inverter VRF Units Technical Sales Guide

Combination	Outdoor air temp(°C DB)	Indoor air temp													
		14.0°C WB		17.0°C WB		18.0°C WB		19.0°C WB		20.0°C WB		22.0°C WB		24.0°C WB	
		20.0°C DB		24.0°C DB		26.0°C DB		27.0°C DB		28.0°C DB		30.0°C DB		32.0°C DB	
		TC	PI	TC	PI	TC	PI	TC	PI	TC	PI	TC	PI	TC	PI
		kW	kW	kW	kW	kW	kW	kW	kW	kW	kW	kW	kW	kW	
110%	-5	25.1	2.68	29.9	3.45	34.7	4.14	37.1	4.16	39.5	4.19	42.6	4.22	43.5	4.26
	0	25.1	2.69	29.9	3.46	34.7	4.15	37.1	4.17	39.5	4.19	42.6	4.23	43.5	4.27
	4	25.1	2.70	29.9	3.47	34.7	4.16	37.1	4.19	39.5	4.21	42.6	4.25	43.5	4.29
	7	25.1	2.75	29.9	3.53	34.7	4.24	37.1	4.26	39.5	4.29	42.6	4.33	43.5	4.37
	10	25.1	2.94	29.9	3.58	34.7	4.25	37.1	4.60	39.5	4.95	42.5	5.25	43.5	5.07
	12	25.1	3.00	29.9	3.65	34.7	4.34	37.1	4.69	39.5	5.04	42.0	5.23	42.9	5.04
	14	25.1	3.05	29.9	3.72	34.7	4.42	37.1	4.77	39.5	5.14	41.4	5.23	42.4	5.03
	16	25.1	3.10	29.9	3.79	34.7	4.50	37.1	4.87	39.5	5.24	41.0	5.26	41.8	5.31
	18	25.1	3.17	29.9	3.86	34.7	4.60	37.1	5.00	39.5	5.49	40.4	5.53	41.3	5.58
	20	25.1	3.23	29.9	3.94	34.7	4.87	37.1	5.38	38.9	5.76	39.9	5.80	40.7	5.85
	21	25.1	3.26	29.9	4.06	34.7	5.04	37.1	5.57	38.7	5.89	39.5	5.94	40.5	5.99
	23	25.1	3.41	29.9	4.35	34.7	5.41	37.1	5.98	38.1	6.15	39.0	6.22	39.9	6.27
	25	25.1	3.63	29.9	4.65	34.7	5.78	37.1	6.40	37.6	6.42	38.4	6.49	39.4	6.54
	27	25.1	3.88	29.9	4.97	34.7	6.18	36.5	6.67	37.0	6.69	38.0	6.76	38.8	6.82
	29	25.1	4.14	29.9	5.30	34.7	6.61	36.0	6.94	36.5	6.97	37.3	7.04	38.3	7.10
	31	25.1	4.41	29.9	5.66	34.7	7.06	35.4	7.21	35.9	7.24	36.9	7.31	37.7	7.38
	33	25.1	4.69	29.9	6.03	34.5	7.44	34.9	7.48	35.4	7.51	36.3	7.59	37.2	7.66
	35	25.1	4.99	29.9	6.42	34.0	7.71	34.3	7.75	34.8	7.79	35.7	7.87	36.6	7.94
	37	25.1	5.31	29.9	6.84	33.4	7.99	33.9	8.02	34.2	8.06	35.2	8.15	36.0	8.22
	39	25.1	5.65	29.9	7.28	32.8	8.26	33.3	8.30	33.7	8.34	34.6	8.43	35.5	8.51
41	23.7	6.29	28.4	8.09	32.3	9.72	32.6	8.99	33.1	9.04	34.0	9.12	34.9	9.21	
43	22.4	6.56	27.0	8.44	31.8	10.24	32.0	9.56	32.5	9.38	33.3	9.36	34.3	9.44	
44	22.1	6.84	26.9	8.80	30.7	10.79	31.2	10.15	31.8	9.74	32.7	9.60	33.7	9.69	
46	21.2	8.3	26.3	10.7	30.1	11.2	30.5	10.3	31.0	10.2	31.9	10.1	33.0	10.2	
47	20.8	9.10	26.0	11.71	29.7	11.33	30.1	10.31	30.6	10.37	31.6	10.30	32.6	10.40	
50	19.0	8.93	23.3	11.50	26.5	11.95	26.9	11.16	27.3	11.07	28.2	11.01	29.3	10.88	
52	13.9	6.63	18.6	8.25	23.1	9.29	25.4	9.75	25.5	9.43	26.1	9.30	27.6	9.55	
100%	-5	22.8	2.34	27.1	3.00	31.6	3.74	33.5	4.13	35.9	4.16	40.4	4.19	42.6	4.23
	0	22.8	2.35	27.1	3.01	31.6	3.75	33.5	4.14	35.9	4.16	40.4	4.20	42.6	4.24
	4	22.8	2.36	27.1	3.02	31.6	3.76	33.5	4.16	35.9	4.18	40.4	4.22	42.6	4.25
	7	22.8	2.40	27.1	3.07	31.6	3.83	33.5	4.23	35.9	4.26	40.4	4.29	42.6	4.33
	10	22.8	2.66	27.1	3.23	31.6	3.82	33.5	4.12	35.9	4.45	40.3	5.04	42.6	5.24
	12	22.8	2.69	27.1	3.27	31.6	3.87	33.5	4.18	35.9	4.54	40.3	5.12	42.0	5.19
	14	22.8	2.74	27.1	3.33	31.6	3.93	33.5	4.25	35.9	4.62	40.3	5.21	41.6	5.15
	16	22.8	2.80	27.1	3.40	31.6	4.02	33.5	4.35	35.9	4.72	40.2	5.33	41.0	5.27
	18	22.8	2.86	27.1	3.48	31.6	4.10	33.5	4.43	35.9	4.82	39.6	5.43	40.5	5.52
	20	22.8	2.91	27.1	3.53	31.6	4.24	33.5	4.67	35.9	5.12	39.0	5.72	39.9	5.81
	21	22.8	2.94	27.1	3.57	31.6	4.38	33.5	4.83	35.9	5.30	38.8	5.91	39.6	5.97
	23	22.8	3.01	27.1	3.81	31.6	4.71	33.5	5.19	35.9	5.70	38.3	6.26	39.0	6.32
	25	22.8	3.20	27.1	4.05	31.6	5.01	33.5	5.52	35.9	6.09	37.7	6.49	38.6	6.54
	27	22.8	3.42	27.1	4.33	31.6	5.38	33.5	5.92	35.9	6.54	37.1	6.71	38.0	6.77
	29	22.8	3.63	27.1	4.63	31.6	5.75	33.5	6.33	35.8	6.93	36.6	7.04	37.4	7.10
	31	22.8	3.86	27.1	4.93	31.6	6.13	33.5	6.83	35.3	7.21	35.8	7.32	36.9	7.39
	33	22.8	4.10	27.1	5.25	31.6	6.54	33.5	7.22	34.7	7.47	35.6	7.53	36.4	7.60
	35	22.8	4.36	27.1	5.59	31.6	6.97	33.5	7.70	34.1	7.74	34.9	7.81	35.8	7.88
	37	22.8	4.65	27.1	5.95	31.6	7.42	33.1	7.98	33.7	8.02	34.4	8.07	35.3	8.15
	39	22.8	4.95	27.1	6.34	31.6	7.90	32.7	8.24	32.9	8.28	34.0	8.34	34.4	8.42
41	21.5	5.50	25.8	7.04	30.0	8.78	32.1	8.93	32.4	8.98	33.2	9.06	34.1	9.14	
43	20.3	5.73	24.5	7.35	29.3	9.25	31.5	9.49	32.0	9.32	32.5	9.29	33.7	9.37	
44	20.0	5.98	24.4	7.66	28.6	9.76	30.7	10.09	31.1	9.67	32.0	9.53	32.9	9.61	
46	19.3	7.3	23.9	9.3	27.9	10.1	30.0	10.2	30.4	10.1	31.3	10.0	32.2	10.1	
47	18.9	7.96	23.6	10.19	27.6	10.24	29.6	10.24	30.0	10.29	30.9	10.23	31.8	10.32	
50	17.3	7.81	21.1	10.00	24.7	10.80	26.4	11.09	26.8	10.99	27.6	10.93	28.6	10.79	
52	13.6	6.03	18.3	7.51	22.7	8.45	24.9	8.88	25.1	8.58	25.7	8.47	27.1	8.69	

Combination	Outdoor air temp(°C DB)	Indoor air temp													
		14.0°C WB		17.0°C WB		18.0°C WB		19.0°C WB		20.0°C WB		22.0°C WB		24.0°C WB	
		TC	PI	TC	PI	TC	PI	TC	PI	TC	PI	TC	PI	TC	PI
90%	-5	20.5	2.04	24.4	2.59	28.4	3.20	30.4	3.53	32.3	3.88	36.3	4.16	40.2	4.19
	0	20.5	2.05	24.4	2.59	28.4	3.20	30.4	3.54	32.3	3.89	36.3	4.16	40.2	4.20
	4	20.5	2.06	24.4	2.60	28.4	3.21	30.4	3.55	32.3	3.91	36.3	4.18	40.2	4.22
	7	20.5	2.09	24.4	2.65	28.4	3.27	30.4	3.62	32.3	3.98	36.3	4.26	40.2	4.30
	10	20.5	2.32	24.4	2.78	28.4	3.26	30.4	3.67	32.3	3.91	36.3	4.48	40.2	5.08
	12	20.5	2.35	24.4	2.82	28.4	3.30	30.4	3.72	32.3	3.99	36.3	4.56	40.2	5.14
	14	20.5	2.39	24.4	2.87	28.4	3.36	30.4	3.78	32.3	4.05	36.3	4.64	40.2	5.23
	16	20.5	2.44	24.4	2.93	28.4	3.44	30.4	3.86	32.3	4.15	36.3	4.74	40.1	5.33
	18	20.5	2.50	24.4	3.00	28.4	3.50	30.4	3.94	32.3	4.23	36.3	4.85	39.7	5.52
	20	20.5	2.54	24.4	3.05	28.4	3.62	30.4	4.02	32.3	4.40	36.3	5.21	39.0	5.75
	21	20.5	2.56	24.4	3.08	28.4	3.74	30.4	4.15	32.3	4.55	36.3	5.39	38.8	5.88
	23	20.5	2.63	24.4	3.29	28.4	4.02	30.4	4.46	32.3	4.87	36.3	5.79	38.2	6.18
	25	20.5	2.79	24.4	3.50	28.4	4.28	30.4	4.76	32.3	5.21	36.3	6.19	37.7	6.43
	27	20.5	2.99	24.4	3.74	28.4	4.59	30.4	5.09	32.3	5.58	36.3	6.61	37.1	6.72
	29	20.5	3.16	24.4	3.99	28.4	4.91	30.4	5.43	32.3	5.96	35.9	6.93	36.6	6.99
	31	20.5	3.36	24.4	4.25	28.4	5.24	30.4	5.80	32.3	6.36	35.3	7.18	36.0	7.27
	33	20.5	3.58	24.4	4.53	28.4	5.58	30.4	6.17	32.3	6.76	34.8	7.47	35.5	7.54
	35	20.5	3.81	24.4	4.82	28.4	5.95	30.4	6.58	32.3	7.23	34.2	7.74	34.9	7.81
	37	20.5	4.06	24.4	5.13	28.4	6.34	29.8	6.81	32.3	7.74	33.6	8.02	34.5	8.00
	39	20.5	4.32	24.4	5.47	28.4	6.75	29.4	7.04	32.3	8.20	33.1	8.31	33.9	8.29
41	19.4	4.80	23.2	6.07	27.0	7.50	28.9	7.63	30.7	8.39	32.6	8.98	33.3	9.06	
43	18.3	5.00	22.0	6.33	26.3	7.91	28.3	8.11	30.1	8.71	32.0	9.21	32.7	9.31	
44	18.0	5.22	22.0	6.60	25.7	8.33	27.6	8.61	29.5	9.04	31.3	9.44	32.1	9.53	
46	17.4	6.4	21.5	8.1	25.1	8.6	27.0	8.7	28.8	9.4	30.6	9.9	31.4	10.0	
47	17.0	6.94	21.2	8.79	24.9	8.75	26.7	8.75	28.4	9.62	30.3	10.14	31.1	10.23	
50	15.6	6.82	19.0	8.63	22.2	9.22	23.8	9.47	25.4	10.27	27.0	10.84	28.0	10.70	
52	12.3	5.63	16.5	7.00	20.4	7.88	22.4	8.27	22.6	8.00	23.4	7.89	24.4	8.11	
80%	-5	18.2	1.77	21.7	2.18	25.3	2.71	27.0	2.98	28.7	3.26	32.3	3.87	35.8	4.14
	0	18.2	1.77	21.7	2.18	25.3	2.71	27.0	2.99	28.7	3.26	32.3	3.88	35.8	4.15
	4	18.2	1.78	21.7	2.19	25.3	2.72	27.0	3.00	28.7	3.28	32.3	3.89	35.8	4.17
	7	18.2	1.81	21.7	2.23	25.3	2.77	27.0	3.05	28.7	3.34	32.3	3.96	35.8	4.24
	10	18.2	2.11	21.7	2.52	25.3	2.97	27.0	3.20	28.7	3.42	32.3	3.91	35.8	4.54
	12	18.2	2.14	21.7	2.56	25.3	3.02	27.0	3.26	28.7	3.49	32.3	3.98	35.8	4.50
	14	18.2	2.18	21.7	2.62	25.3	3.07	27.0	3.31	28.7	3.55	32.3	4.05	35.8	4.61
	16	18.2	2.21	21.7	2.66	25.3	3.13	27.0	3.37	28.7	3.61	32.3	4.14	35.8	4.77
	18	18.2	2.25	21.7	2.71	25.3	3.20	27.0	3.45	28.7	3.68	32.3	4.23	35.8	5.10
	20	18.2	2.29	21.7	2.76	25.3	3.26	27.0	3.51	28.7	3.76	32.3	4.38	35.8	5.29
	21	18.2	2.31	21.7	2.78	25.3	3.29	27.0	3.55	28.7	3.84	32.3	4.54	35.8	5.66
	23	18.2	2.36	21.7	2.84	25.3	3.45	27.0	3.78	28.7	4.11	32.3	4.86	35.8	6.06
	25	18.2	2.43	21.7	3.02	25.3	3.68	27.0	4.04	28.7	4.39	32.3	5.20	35.8	6.46
	27	18.2	2.58	21.7	3.22	25.3	3.92	27.0	4.31	28.7	4.71	32.3	5.55	35.8	6.69
	29	18.2	2.75	21.7	3.42	25.3	4.18	27.0	4.59	28.6	5.02	32.3	5.93	35.8	6.93
	31	18.2	2.92	21.7	3.64	25.3	4.45	27.0	4.89	28.6	5.35	32.3	6.32	35.2	7.19
	33	18.2	3.10	21.7	4.06	25.3	4.74	27.0	5.21	28.6	5.70	32.3	6.75	34.7	7.45
	35	18.2	3.29	21.7	4.06	25.3	5.04	27.0	5.55	28.6	6.07	32.3	7.20	34.1	7.72
	37	18.2	3.49	21.7	4.37	25.3	5.37	26.5	5.91	28.6	6.46	32.3	7.67	33.6	8.00
	39	18.2	3.69	21.7	4.64	25.3	5.71	26.1	6.30	28.6	6.88	32.3	8.17	33.0	8.30
41	17.2	4.14	20.6	5.11	24.0	6.35	25.7	6.44	27.2	7.04	30.7	8.36	32.5	8.95	
43	16.3	4.32	20.0	5.33	23.4	6.69	25.2	6.85	26.6	7.31	30.1	8.57	32.0	9.18	
44	16.0	4.51	19.5	5.56	22.9	7.06	24.6	7.27	26.1	7.58	29.6	8.79	31.4	9.41	
46	15.4	5.5	19.1	6.8	22.3	7.3	24.0	7.3	25.5	7.9	28.9	9.2	30.7	9.9	
47	15.1	6.00	18.9	7.40	22.1	7.41	23.7	7.38	25.2	8.07	28.6	9.44	30.3	10.11	
50	13.8	5.89	16.9	7.26	19.7	7.82	21.1	7.99	22.5	8.62	25.5	10.08	27.3	10.57	
52	10.9	4.75	14.7	5.91	18.1	6.65	20.0	6.98	20.0	6.75	20.5	6.66	21.7	6.84	

GMV6 DC Inverter VRF Units Technical Sales Guide

Combination	Outdoor air temp(°C DB)	Indoor air temp													
		14.0°C WB		17.0°C WB		18.0°C WB		19.0°C WB		20.0°C WB		22.0°C WB		24.0°C WB	
		20.0°C DB		24.0°C DB		26.0°C DB		27.0°C DB		28.0°C DB		30.0°C DB		32.0°C DB	
		TC	PI	TC	PI	TC	PI	TC	PI	TC	PI	TC	PI	TC	PI
		kW	kW	kW	kW	kW	kW	kW	kW	kW	kW	kW	kW	kW	
70%	-5	15.9	1.50	19.0	1.86	22.1	2.26	23.6	2.47	25.2	2.70	28.2	3.18	31.3	3.69
	0	15.9	1.51	19.0	1.86	22.1	2.26	23.6	2.48	25.2	2.70	28.2	3.18	31.3	3.70
	4	15.9	1.51	19.0	1.87	22.1	2.27	23.6	2.49	25.2	2.71	28.2	3.19	31.3	3.72
	7	15.9	1.54	19.0	1.91	22.1	2.31	23.6	2.53	25.2	2.76	28.2	3.25	31.3	3.78
	10	15.9	1.86	19.0	2.20	22.1	2.56	23.6	2.76	25.1	2.96	28.2	3.36	31.3	3.78
	12	15.9	1.88	19.0	2.23	22.1	2.62	23.6	2.81	25.1	3.01	28.2	3.42	31.3	3.85
	14	15.9	1.91	19.0	2.27	22.1	2.66	23.6	2.85	25.1	3.06	28.2	3.49	31.3	3.92
	16	15.9	1.94	19.0	2.31	22.1	2.71	23.6	2.92	25.1	3.12	28.2	3.55	31.3	4.00
	18	15.9	1.97	19.0	2.36	22.1	2.76	23.6	2.97	25.1	3.18	28.2	3.62	31.3	4.08
	20	15.9	2.00	19.0	2.40	22.1	2.81	23.6	3.02	25.1	3.24	28.2	3.69	31.3	4.19
	21	15.9	2.02	19.0	2.42	22.1	2.83	23.6	3.05	25.1	3.27	28.2	3.74	31.3	4.34
	23	15.9	2.05	19.0	2.46	22.1	2.90	23.6	3.15	25.1	3.43	28.2	4.02	31.3	4.65
	25	15.9	2.10	19.0	2.56	22.1	3.08	23.6	3.37	25.1	3.66	28.2	4.30	31.3	4.97
	27	15.9	2.22	19.0	2.73	22.1	3.29	23.6	3.59	25.1	3.91	28.2	4.59	31.3	5.31
	29	15.9	2.36	19.0	2.90	22.1	3.50	23.6	3.83	25.1	4.16	28.2	4.89	31.3	5.68
	31	15.9	2.49	19.0	3.07	22.1	3.73	23.6	4.07	25.1	4.43	28.2	5.21	31.3	6.05
	33	15.9	2.65	19.0	3.27	22.1	3.96	23.6	4.33	25.1	4.72	28.2	5.55	31.3	6.45
	35	15.9	2.80	19.0	3.47	22.1	4.20	23.6	4.61	25.1	5.02	28.2	5.92	31.3	6.88
	37	15.9	2.96	19.0	3.67	22.1	4.47	23.2	4.90	25.1	5.34	28.2	6.30	31.3	7.33
	39	15.9	3.13	19.0	3.89	22.1	4.74	22.9	5.20	25.1	5.68	28.2	6.69	31.3	7.80
41	15.1	3.53	18.0	4.37	21.0	5.30	22.4	5.34	23.9	5.83	26.9	6.86	29.9	7.98	
43	14.2	3.68	17.5	4.56	20.2	5.58	22.0	5.68	22.7	6.05	26.4	7.03	29.0	8.19	
44	14.0	3.84	17.1	4.75	20.0	5.88	21.5	6.04	22.9	6.28	25.9	7.22	28.8	8.39	
46	13.5	4.7	16.7	5.8	19.6	6.1	21.0	6.1	22.4	6.5	25.3	7.6	28.2	8.8	
47	13.2	5.11	16.5	6.32	19.3	6.18	20.7	6.13	22.1	6.68	25.0	7.75	27.9	9.01	
50	12.1	5.02	14.8	6.20	17.3	6.51	18.5	6.63	19.7	7.13	22.3	8.28	25.1	9.43	
52	9.5	3.94	12.8	4.90	15.9	5.47	17.5	5.79	17.5	5.60	18.0	5.53	19.0	5.68	
60%	-5	13.7	1.26	16.3	1.54	18.9	1.85	20.2	2.02	21.6	2.19	24.2	2.56	26.9	2.95
	0	13.7	1.27	16.3	1.55	18.9	1.85	20.2	2.02	21.6	2.19	24.2	2.56	26.9	2.96
	4	13.7	1.27	16.3	1.55	18.9	1.86	20.2	2.03	21.6	2.20	24.2	2.57	26.9	2.97
	7	13.7	1.30	16.3	1.58	18.9	1.89	20.2	2.07	21.6	2.24	24.2	2.62	26.9	3.02
	10	13.7	1.61	16.3	1.89	18.9	2.19	20.2	2.35	21.5	2.50	24.2	2.83	26.9	3.18
	12	13.7	1.64	16.3	1.92	18.9	2.23	20.2	2.39	21.5	2.54	24.2	2.88	26.9	3.23
	14	13.7	1.66	16.3	1.95	18.9	2.26	20.2	2.43	21.5	2.59	24.2	2.94	26.9	3.29
	16	13.7	1.68	16.3	1.98	18.9	2.30	20.2	2.47	21.5	2.64	24.2	2.99	26.9	3.35
	18	13.7	1.71	16.3	2.01	18.9	2.35	20.2	2.51	21.5	2.69	24.2	3.04	26.9	3.41
	20	13.7	1.73	16.3	2.05	18.9	2.39	20.2	2.56	21.5	2.74	24.2	3.10	26.9	3.49
	21	13.7	1.75	16.3	2.07	18.9	2.41	20.2	2.58	21.5	2.76	24.2	3.13	26.9	3.52
	23	13.7	1.77	16.3	2.11	18.9	2.45	20.2	2.64	21.5	2.81	24.2	3.26	26.9	3.75
	25	13.7	1.81	16.3	2.15	18.9	2.54	20.2	2.76	21.5	2.99	24.2	3.48	26.9	4.00
	27	13.7	1.88	16.3	2.27	18.9	2.71	20.2	2.95	21.5	3.19	24.2	3.70	26.9	4.27
	29	13.7	1.98	16.3	2.41	18.9	2.88	20.2	3.13	21.5	3.39	24.2	3.95	26.9	4.56
	31	13.7	2.11	16.3	2.56	18.9	3.06	20.2	3.33	21.5	3.61	24.2	4.20	26.9	4.85
	33	13.7	2.22	16.3	2.71	18.9	3.25	20.2	3.54	21.5	3.84	24.2	4.47	26.9	5.17
	35	13.7	2.36	16.3	2.87	18.9	3.45	20.2	3.76	21.5	4.08	24.2	4.76	26.9	5.50
	37	13.7	2.49	16.3	3.04	18.9	3.65	19.9	3.98	21.5	4.33	24.2	5.06	26.9	5.85
	39	13.7	2.63	16.3	3.22	18.9	3.87	19.6	4.22	21.5	4.60	24.2	5.38	26.9	6.23
41	12.9	2.97	15.5	3.62	18.0	4.34	19.2	4.36	20.5	4.73	23.0	5.53	25.6	6.38	
43	12.2	3.09	14.7	3.77	17.5	4.58	18.9	4.63	19.9	4.91	22.8	5.66	25.1	6.55	
44	12.0	3.23	14.6	3.94	17.1	4.82	18.4	4.92	19.7	5.10	22.2	5.81	24.7	6.71	
46	11.6	3.9	14.3	4.8	16.8	5.0	18.0	5.0	19.2	5.3	21.7	6.1	24.2	7.0	
47	11.3	4.29	14.2	5.24	16.6	5.06	17.8	5.00	19.0	5.42	21.4	6.24	23.9	7.20	
50	10.4	4.22	12.7	5.15	14.8	5.34	15.8	5.41	16.9	5.79	19.1	6.67	21.5	7.53	
52	8.2	3.21	11.0	4.00	13.6	4.50	15.0	4.72	15.0	4.57	15.4	4.51	16.3	4.63	

Combination	Outdoor air temp (°C DB)	Indoor air temp													
		14.0°C WB		17.0°C WB		18.0°C WB		19.0°C WB		20.0°C WB		22.0°C WB		24.0°C WB	
		20.0°C DB		24.0°C DB		26.0°C DB		27.0°C DB		28.0°C DB		30.0°C DB		32.0°C DB	
		TC	PI	TC	PI	TC	PI	TC	PI	TC	PI	TC	PI	TC	PI
		kW	kW	kW	kW	kW	kW	kW	kW	kW	kW	kW	kW	kW	
50%	-5	11.4	1.05	13.6	1.25	15.8	1.48	16.9	1.60	18.0	1.73	20.2	2.01	22.4	2.30
	0	11.4	1.05	13.6	1.26	15.8	1.49	16.9	1.61	18.0	1.74	20.2	2.01	22.4	2.30
	4	11.4	1.05	13.6	1.26	15.8	1.49	16.9	1.61	18.0	1.74	20.2	2.02	22.4	2.31
	7	11.4	1.07	13.6	1.28	15.8	1.52	16.9	1.64	18.0	1.78	20.2	2.05	22.4	2.35
	10	11.4	1.39	13.6	1.61	15.8	1.84	16.9	1.96	17.9	2.08	20.2	2.33	22.4	2.60
	12	11.4	1.40	13.6	1.63	15.8	1.87	16.9	1.98	17.9	2.12	20.2	2.38	22.4	2.65
	14	11.4	1.42	13.6	1.65	15.8	1.89	16.9	2.02	17.9	2.15	20.2	2.42	22.4	2.70
	16	11.4	1.44	13.6	1.67	15.8	1.92	16.9	2.05	17.9	2.18	20.2	2.46	22.4	2.74
	18	11.4	1.46	13.6	1.70	15.8	1.95	16.9	2.09	17.9	2.22	20.2	2.50	22.4	2.79
	20	11.4	1.48	13.6	1.72	15.8	1.98	16.9	2.13	17.9	2.26	20.2	2.55	22.4	2.84
	21	11.4	1.49	13.6	1.74	15.8	2.00	16.9	2.14	17.9	2.28	20.2	2.57	22.4	2.87
	23	11.4	1.52	13.6	1.76	15.8	2.03	16.9	2.18	17.9	2.32	20.2	2.62	22.4	2.94
	25	11.4	1.54	13.6	1.80	15.8	2.08	16.9	2.22	17.9	2.40	20.2	2.75	22.4	3.13
	27	11.4	1.57	13.6	1.87	15.8	2.19	16.9	2.37	17.9	2.54	20.2	2.93	22.4	3.34
	29	11.4	1.65	13.6	1.97	15.8	2.32	16.9	2.51	17.9	2.71	20.2	3.11	22.4	3.56
	31	11.4	1.74	13.6	2.09	15.8	2.48	16.9	2.67	17.9	2.87	20.2	3.31	22.4	3.79
	33	11.4	1.85	13.6	2.21	15.8	2.62	16.9	2.82	17.9	3.05	20.2	3.52	22.4	4.03
	35	11.4	1.95	13.6	2.33	15.8	2.76	16.9	2.99	17.9	3.23	20.2	3.74	22.4	4.28
	37	11.4	2.05	13.6	2.47	15.8	2.93	16.6	3.17	17.9	3.42	20.2	3.96	22.4	4.55
	39	11.4	2.17	13.6	2.60	15.8	3.09	16.3	3.35	17.9	3.63	20.2	4.20	22.4	4.83
41	10.8	2.46	12.9	2.94	15.0	3.48	16.0	3.47	17.0	3.74	19.2	4.33	21.4	4.96	
43	10.2	2.57	12.2	3.09	14.6	3.66	15.7	3.72	16.7	3.89	18.7	4.45	20.8	5.09	
44	10.0	2.67	12.2	3.20	14.3	3.86	15.3	3.92	16.3	4.03	18.5	4.56	20.6	5.22	
46	9.6	3.3	11.9	3.9	14.0	4.0	15.0	4.0	15.9	4.2	18.1	4.8	20.2	5.5	
47	9.4	3.56	11.8	4.26	13.8	4.06	14.8	3.97	15.7	4.29	17.9	4.89	19.9	5.60	
50	8.7	3.49	10.6	4.18	12.3	4.28	13.2	4.30	14.0	4.58	15.9	5.23	17.9	5.86	
52	6.8	2.56	9.2	3.18	11.3	3.58	12.5	3.76	12.5	3.64	12.8	3.59	13.6	3.68	

GMV6 DC Inverter VRF Units Technical Sales Guide

GMV-400WM/G-X

TC—Total capacity of outdoor unit; PI—Power input of outdoor unit

Combination	Outdoor air temp (°C DB)	Indoor air temp													
		14.0°C WB		17.0°C WB		18.0°C WB		19.0°C WB		20.0°C WB		22.0°C WB		24.0°C WB	
		20.0°C DB		24.0°C DB		26.0°C DB		27.0°C DB		28.0°C DB		30.0°C DB		32.0°C DB	
		TC	PI	TC	PI	TC	PI	TC	PI	TC	PI	TC	PI	TC	PI
		kW	kW	kW	kW	kW	kW	kW	kW	kW	kW	kW	kW	kW	
135%	-5	35.4	4.08	42.2	4.97	50.0	5.03	50.8	5.04	51.7	5.09	54.8	5.15	54.3	5.20
	0	35.4	4.09	42.2	4.98	50.0	5.04	50.8	5.05	51.7	5.10	54.8	5.16	54.3	5.21
	4	35.4	4.11	42.2	5.00	50.0	5.06	50.8	5.07	51.7	5.11	54.8	5.18	54.3	5.23
	7	35.4	4.18	42.2	5.09	50.0	5.15	50.8	5.16	51.7	5.21	54.3	5.27	54.3	5.33
	10	35.4	4.26	42.2	5.20	50.0	6.19	50.8	6.30	51.4	6.20	52.7	5.94	53.9	5.66
	12	35.4	4.33	42.2	5.30	50.0	6.31	50.1	6.26	50.8	6.16	52.0	5.89	53.2	5.80
	14	35.4	4.42	42.2	5.40	49.9	6.39	49.5	6.24	50.1	6.12	51.4	6.07	52.7	6.14
	16	35.4	4.49	42.2	5.51	49.3	6.36	48.8	6.29	49.3	6.34	50.6	6.40	51.9	6.46
	18	35.4	4.58	42.2	5.63	48.6	6.60	48.0	6.61	48.8	6.67	50.1	6.73	51.4	6.80
	20	35.4	4.68	42.2	5.99	47.8	6.92	47.5	6.93	48.0	7.00	49.3	7.06	50.6	7.13
	21	35.4	4.80	42.2	6.20	47.5	7.08	47.2	7.09	47.8	7.16	49.1	7.23	50.4	7.29
	23	35.4	5.15	42.2	6.65	46.9	7.41	46.5	7.41	47.0	7.48	48.3	7.56	49.6	7.63
	25	35.4	5.50	42.2	7.12	46.2	7.73	45.9	7.74	46.5	7.82	47.8	7.89	49.1	7.97
	27	35.4	5.88	42.2	7.62	45.6	8.11	45.2	8.07	45.7	8.14	47.0	8.23	48.3	8.31
	29	35.4	6.27	42.2	8.14	44.9	8.38	44.5	8.39	45.2	8.48	46.5	8.56	47.8	8.65
	31	35.4	6.70	42.0	8.61	44.1	8.71	43.9	8.73	44.5	8.80	45.7	8.90	47.0	9.00
	33	35.4	7.13	41.3	8.94	43.6	9.02	43.2	9.05	43.9	9.14	45.2	9.24	46.3	9.35
	35	35.4	7.61	40.6	9.26	42.8	9.37	42.6	9.39	43.2	9.47	44.5	9.58	45.7	9.68
	37	35.4	8.09	40.0	9.60	42.2	9.71	42.6	9.72	42.7	9.82	43.7	9.93	45.0	10.04
	39	35.4	8.61	39.3	9.92	41.5	10.03	42.6	10.06	43.0	10.16	43.2	10.27	44.5	10.39
41	35.4	9.58	40.6	11.67	42.8	11.81	42.6	10.89	42.7	10.99	42.9	11.12	43.6	11.23	
43	35.4	9.99	41.9	12.16	43.0	12.45	42.5	11.57	42.4	11.41	43.0	11.40	42.7	11.52	
44	34.3	10.42	39.8	12.69	41.2	13.12	41.8	11.37	42.4	11.84	42.8	11.69	43.0	11.81	
46	32.5	13.5	38.2	15.1	40.2	13.6	40.4	12.1	41.3	12.3	41.7	12.3	42.1	12.4	
47	31.6	15.02	37.3	16.35	39.6	13.78	39.7	12.48	40.7	12.60	41.1	12.56	41.6	12.69	
50	27.0	14.56	32.6	16.11	35.3	14.53	36.0	13.52	37.4	13.45	38.8	13.42	39.6	13.27	
52	17.2	8.76	23.1	10.90	28.6	12.27	31.5	12.88	31.6	12.46	32.4	12.29	34.2	12.62	
120%	-5	32.7	3.64	38.8	4.71	46.2	5.00	48.3	5.01	50.8	5.05	53.7	5.11	53.2	5.16
	0	32.7	3.64	38.8	4.71	46.2	5.01	48.3	5.02	50.8	5.06	53.7	5.12	53.2	5.17
	4	32.7	3.66	38.8	4.73	46.2	5.03	48.3	5.03	50.8	5.08	53.7	5.14	53.2	5.19
	7	32.7	3.72	38.8	4.82	46.2	5.12	48.3	5.13	50.8	5.18	53.2	5.23	53.2	5.29
	10	32.7	3.88	38.8	4.74	46.2	5.64	48.3	6.08	50.6	6.36	51.8	6.11	52.9	5.88
	12	32.7	3.96	38.8	4.83	46.2	5.75	48.3	6.19	49.9	6.32	51.1	6.09	52.2	5.84
	14	32.7	4.03	38.8	4.93	46.2	5.86	48.3	6.31	49.2	6.29	50.5	6.05	51.6	6.09
	16	32.7	4.11	38.8	5.03	46.2	5.97	48.0	6.36	48.6	6.30	49.8	6.36	50.9	6.41
	18	32.7	4.18	38.8	5.13	46.2	6.19	47.3	6.57	47.9	6.62	49.1	6.68	50.4	6.75
	20	32.7	4.27	38.8	5.33	46.2	6.65	46.8	6.89	47.3	6.95	48.5	7.01	49.6	7.07
	21	32.7	4.31	38.8	5.51	46.2	6.88	46.3	7.05	46.9	7.11	48.2	7.17	49.3	7.24
	23	32.7	4.61	38.8	5.91	46.2	7.37	45.7	7.36	46.3	7.43	47.5	7.51	48.6	7.57
	25	32.7	4.92	38.8	6.32	45.5	7.69	45.0	7.69	45.6	7.75	46.9	7.83	48.0	7.90
	27	32.7	5.25	38.8	6.76	44.9	8.00	44.5	8.02	45.0	8.09	46.2	8.17	47.3	8.24
	29	32.7	5.60	38.8	7.22	44.1	8.33	43.7	8.34	44.3	8.41	45.5	8.50	46.8	8.58
	31	32.7	5.97	38.8	7.70	43.6	8.66	43.2	8.67	43.7	8.75	44.9	8.84	46.0	8.92
	33	32.7	6.36	38.8	8.23	42.8	8.99	42.4	9.00	43.0	9.07	44.2	9.17	45.3	9.26
	35	32.7	6.77	38.8	8.76	42.1	9.31	41.7	9.32	42.4	9.41	43.6	9.51	44.7	9.61
	37	32.7	7.21	38.8	9.34	41.5	9.65	41.9	9.66	41.8	9.75	42.9	9.85	44.0	9.96
	39	32.7	7.67	38.7	9.86	40.8	9.97	41.7	9.99	42.1	10.08	42.3	10.19	43.4	10.29
41	32.7	8.53	38.8	11.04	42.1	11.73	41.7	10.82	42.0	10.92	42.1	11.03	42.6	11.15	
43	32.7	8.89	39.0	11.50	42.3	12.36	41.7	11.49	41.9	11.33	42.2	11.31	41.8	11.43	
44	31.6	9.28	38.2	12.00	40.5	13.03	41.0	11.29	41.7	11.76	42.0	11.60	42.1	11.72	
46	30.0	12.0	36.5	14.3	39.5	13.5	39.6	12.0	40.6	12.3	40.9	12.2	41.2	12.3	
47	29.2	13.37	35.7	15.48	38.9	13.69	38.9	12.40	40.0	12.52	40.3	12.46	40.7	12.59	
50	24.9	12.97	31.2	15.25	34.7	14.43	35.3	13.43	36.7	13.36	38.1	13.31	38.7	13.16	
52	16.8	8.70	22.6	10.83	28.0	12.19	30.8	12.80	31.0	12.37	31.7	12.21	33.5	12.53	

Combination	Outdoor air temp (°C DB)	Indoor air temp													
		14.0°C WB		17.0°C WB		18.0°C WB		19.0°C WB		20.0°C WB		22.0°C WB		24.0°C WB	
		20.0°C DB		24.0°C DB		26.0°C DB		27.0°C DB		28.0°C DB		30.0°C DB		32.0°C DB	
		TC	PI	TC	PI	TC	PI	TC	PI	TC	PI	TC	PI	TC	PI
		kW	kW	kW	kW	kW	kW	kW	kW	kW	kW	kW	kW	kW	
110%	-5	29.9	3.22	35.7	4.14	42.4	4.97	44.3	4.97	47.2	5.02	52.5	5.07	51.9	5.11
	0	29.9	3.22	35.7	4.15	42.4	4.98	44.3	4.98	47.2	5.03	52.5	5.08	51.9	5.12
	4	29.9	3.23	35.7	4.16	42.4	4.99	44.3	5.00	47.2	5.05	52.5	5.09	51.9	5.14
	7	29.9	3.29	35.7	4.24	42.4	5.09	44.3	5.09	47.2	5.14	52.1	5.19	51.9	5.24
	10	29.9	3.52	35.7	4.29	42.4	5.10	44.3	5.49	47.2	5.94	50.8	6.30	51.9	6.09
	12	29.9	3.60	35.7	4.38	42.4	5.20	44.3	5.60	47.2	6.05	50.2	6.27	51.2	6.05
	14	29.9	3.66	35.7	4.46	42.4	5.30	44.3	5.70	47.2	6.16	49.5	6.27	50.6	6.04
	16	29.9	3.72	35.7	4.54	42.4	5.40	44.3	5.82	47.2	6.29	48.9	6.31	49.9	6.37
	18	29.9	3.80	35.7	4.63	42.4	5.51	44.3	5.98	47.2	6.58	48.2	6.63	49.3	6.70
	20	29.9	3.87	35.7	4.73	42.4	5.84	44.3	6.42	46.5	6.91	47.6	6.96	48.6	7.02
	21	29.9	3.91	35.7	4.87	42.4	6.05	44.3	6.66	46.2	7.07	47.2	7.12	48.3	7.18
	23	29.9	4.10	35.7	5.22	42.4	6.48	44.3	7.14	45.5	7.38	46.6	7.46	47.6	7.52
	25	29.9	4.36	35.7	5.58	42.4	6.93	44.3	7.65	44.9	7.70	45.9	7.78	47.0	7.84
	27	29.9	4.66	35.7	5.96	42.4	7.42	43.6	7.97	44.2	8.03	45.3	8.10	46.3	8.18
	29	29.9	4.97	35.7	6.36	42.4	7.93	43.0	8.29	43.6	8.36	44.6	8.44	45.7	8.51
	31	29.9	5.29	35.7	6.78	42.4	8.46	42.3	8.62	42.9	8.69	44.0	8.76	45.0	8.85
	33	29.9	5.63	35.7	7.23	42.1	8.92	41.7	8.94	42.3	9.01	43.3	9.10	44.5	9.19
	35	29.9	5.99	35.7	7.70	41.5	9.25	41.0	9.26	41.6	9.35	42.6	9.43	43.7	9.52
	37	29.9	6.37	35.7	8.20	40.8	9.58	41.2	9.58	40.9	9.67	42.0	9.77	43.0	9.86
	39	29.9	6.77	35.7	8.74	40.0	9.91	41.0	9.92	41.4	10.01	41.3	10.11	42.4	10.21
41	29.9	7.54	35.7	9.71	41.5	11.65	41.0	10.74	41.1	10.84	41.1	10.94	41.7	11.05	
43	29.9	7.87	35.7	10.12	41.9	12.28	41.0	11.42	40.9	11.26	41.3	11.22	40.9	11.32	
44	29.0	8.20	35.0	10.56	39.9	12.95	40.3	11.22	40.8	11.68	41.0	11.51	41.1	11.62	
46	27.5	10.6	33.6	12.6	38.9	13.4	38.9	12.0	39.8	12.2	39.9	12.1	40.2	12.2	
47	26.7	11.82	32.8	13.61	38.4	13.59	38.2	12.32	39.2	12.43	39.4	12.36	39.8	12.47	
50	22.8	11.46	28.7	13.40	34.2	14.33	34.7	13.34	36.0	13.27	37.2	13.21	37.9	13.05	
52	16.5	8.64	22.3	10.76	27.5	12.11	30.3	12.71	30.5	12.29	31.2	12.13	32.9	12.45	
100%	-5	27.2	2.81	32.4	3.60	38.5	4.49	40.0	4.94	42.9	4.98	49.8	5.03	50.9	5.07
	0	27.2	2.82	32.4	3.61	38.5	4.50	40.0	4.95	42.9	4.99	49.8	5.04	50.9	5.08
	4	27.2	2.83	32.4	3.62	38.5	4.51	40.0	4.97	42.9	5.01	49.8	5.06	50.9	5.10
	7	27.2	2.88	32.4	3.69	38.5	4.60	40.0	5.06	42.9	5.11	49.3	5.15	50.9	5.20
	10	27.2	3.19	32.4	3.87	38.5	4.58	40.0	4.92	42.9	5.34	48.2	6.04	50.9	6.28
	12	27.2	3.23	32.4	3.92	38.5	4.64	40.0	4.99	42.9	5.44	48.2	6.15	50.2	6.23
	14	27.2	3.28	32.4	3.99	38.5	4.72	40.0	5.08	42.9	5.54	48.2	6.25	49.6	6.18
	16	27.2	3.36	32.4	4.08	38.5	4.83	40.0	5.20	42.9	5.67	48.0	6.39	48.9	6.32
	18	27.2	3.43	32.4	4.17	38.5	4.92	40.0	5.30	42.9	5.78	47.3	6.52	48.3	6.62
	20	27.2	3.49	32.4	4.24	38.5	5.08	40.0	5.57	42.9	6.15	46.6	6.86	47.6	6.97
	21	27.2	3.52	32.4	4.28	38.5	5.25	40.0	5.77	42.9	6.35	46.3	7.09	47.3	7.16
	23	27.2	3.61	32.4	4.57	38.5	5.65	40.0	6.20	42.9	6.83	45.8	7.51	46.6	7.58
	25	27.2	3.84	32.4	4.86	38.5	6.01	40.0	6.59	42.9	7.31	45.0	7.78	46.0	7.85
	27	27.2	4.10	32.4	5.19	38.5	6.45	40.0	7.08	42.9	7.84	44.3	8.05	45.3	8.13
	29	27.2	4.35	32.4	5.55	38.5	6.90	40.0	7.57	42.7	8.31	43.7	8.44	44.7	8.52
	31	27.2	4.63	32.4	5.91	38.5	7.35	40.0	8.15	42.2	8.64	42.7	8.78	44.0	8.86
	33	27.2	4.92	32.4	6.29	38.5	7.84	40.0	8.63	41.4	8.96	42.5	9.04	43.4	9.12
	35	27.2	5.24	32.4	6.70	38.5	8.36	40.0	9.20	40.7	9.28	41.7	9.37	42.7	9.45
	37	27.2	5.58	32.4	7.14	38.5	8.90	40.0	9.53	40.3	9.62	41.1	9.68	42.1	9.77
	39	27.2	5.94	32.4	7.60	38.5	9.48	40.0	9.85	40.3	9.93	40.6	10.00	41.1	10.09
41	27.2	6.60	32.4	8.45	38.5	10.53	40.0	10.67	40.3	10.77	40.3	10.86	40.7	10.96	
43	27.2	6.88	32.4	8.81	38.5	11.10	40.0	11.34	40.3	11.18	40.3	11.14	40.3	11.24	
44	26.3	7.17	31.8	9.18	37.1	11.70	39.6	11.14	40.0	11.60	40.1	11.43	40.1	11.53	
46	25.0	9.3	30.5	11.0	36.2	12.1	38.2	11.9	38.9	12.1	39.1	12.0	39.3	12.1	
47	24.3	10.34	29.8	11.84	35.7	12.29	37.5	12.24	38.4	12.34	38.6	12.27	38.8	12.38	
50	20.7	10.03	26.0	11.66	31.8	12.96	34.1	13.25	35.2	13.18	36.4	13.11	37.0	12.95	
52	16.3	7.87	21.9	9.79	27.0	11.02	29.8	11.57	29.9	11.19	30.6	11.04	32.4	11.33	

GMV6 DC Inverter VRF Units Technical Sales Guide

Combination	Outdoor air temp (°C DB)	Indoor air temp													
		14.0°C WB		17.0°C WB		18.0°C WB		19.0°C WB		20.0°C WB		22.0°C WB		24.0°C WB	
		20.0°C DB		24.0°C DB		26.0°C DB		27.0°C DB		28.0°C DB		30.0°C DB		32.0°C DB	
		TC	PI	TC	PI	TC	PI	TC	PI	TC	PI	TC	PI	TC	PI
		kW	kW	kW	kW	kW	kW	kW	kW	kW	kW	kW	kW	kW	
90%	-5	24.5	2.45	29.1	3.10	34.7	3.83	36.3	4.22	38.6	4.66	44.7	4.99	48.0	5.03
	0	24.5	2.46	29.1	3.11	34.7	3.84	36.3	4.23	38.6	4.67	44.7	4.99	48.0	5.04
	4	24.5	2.47	29.1	3.12	34.7	3.85	36.3	4.24	38.6	4.69	44.7	5.01	48.0	5.06
	7	24.5	2.51	29.1	3.18	34.7	3.93	36.3	4.32	38.6	4.77	44.3	5.11	48.0	5.15
	10	24.5	2.78	29.1	3.34	34.7	3.91	36.3	4.39	38.6	4.69	43.4	5.37	48.0	6.09
	12	24.5	2.82	29.1	3.38	34.7	3.96	36.3	4.45	38.6	4.78	43.4	5.47	48.0	6.17
	14	24.5	2.87	29.1	3.44	34.7	4.03	36.3	4.51	38.6	4.86	43.4	5.56	48.0	6.27
	16	24.5	2.93	29.1	3.52	34.7	4.12	36.3	4.62	38.6	4.97	43.4	5.69	47.9	6.39
	18	24.5	3.00	29.1	3.60	34.7	4.20	36.3	4.70	38.6	5.07	43.4	5.82	47.5	6.62
	20	24.5	3.04	29.1	3.65	34.7	4.34	36.3	4.80	38.6	5.28	43.4	6.25	46.6	6.90
	21	24.5	3.07	29.1	3.69	34.7	4.49	36.3	4.96	38.6	5.46	43.4	6.46	46.3	7.05
	23	24.5	3.15	29.1	3.94	34.7	4.83	36.3	5.33	38.6	5.85	43.4	6.94	45.6	7.42
	25	24.5	3.35	29.1	4.19	34.7	5.13	36.3	5.69	38.6	6.25	43.4	7.43	45.0	7.72
	27	24.5	3.58	29.1	4.48	34.7	5.51	36.3	6.08	38.6	6.69	43.4	7.93	44.3	8.06
	29	24.5	3.79	29.1	4.79	34.7	5.89	36.3	6.49	38.6	7.14	42.9	8.31	43.7	8.38
	31	24.5	4.04	29.1	5.10	34.7	6.28	36.3	6.93	38.6	7.63	42.2	8.61	43.0	8.72
	33	24.5	4.29	29.1	5.43	34.7	6.70	36.3	7.37	38.6	8.11	41.6	8.96	42.4	9.04
	35	24.5	4.57	29.1	5.78	34.7	7.14	36.3	7.86	38.6	8.68	40.9	9.28	41.7	9.37
	37	24.5	4.86	29.1	6.16	34.7	7.60	36.3	8.14	38.7	9.28	40.1	9.62	41.1	9.59
	39	24.5	5.18	29.1	6.56	34.7	8.10	36.3	8.41	39.6	9.84	39.6	9.97	40.4	9.95
41	24.5	5.76	29.1	7.29	34.7	8.99	36.3	9.11	38.2	10.06	39.5	10.77	39.8	10.87	
43	24.5	6.00	29.1	7.59	34.6	9.49	36.3	9.69	37.9	10.45	39.7	11.04	39.1	11.16	
44	23.7	6.26	28.6	7.92	33.4	9.99	35.6	9.51	37.9	10.85	39.3	11.33	39.2	11.43	
46	22.5	8.1	27.4	9.4	32.5	10.3	34.4	10.1	36.9	11.3	38.3	11.9	38.4	12.0	
47	21.9	9.02	26.8	10.21	32.1	10.49	33.8	10.45	36.4	11.54	37.8	12.16	38.0	12.27	
50	18.6	8.75	23.4	10.06	28.6	11.06	30.7	11.31	33.4	12.32	35.7	13.00	36.1	12.83	
52	14.6	7.33	19.7	9.13	24.3	10.28	26.8	10.79	26.9	10.43	27.9	10.29	29.1	10.57	
80%	-5	21.8	2.12	25.9	2.61	30.8	3.25	32.2	3.56	34.2	3.91	39.8	4.64	42.7	4.97
	0	21.8	2.12	25.9	2.62	30.8	3.25	32.2	3.57	34.2	3.92	39.8	4.65	42.7	4.98
	4	21.8	2.13	25.9	2.63	30.8	3.27	32.2	3.58	34.2	3.93	39.8	4.67	42.7	5.00
	7	21.8	2.17	25.9	2.68	30.8	3.33	32.2	3.65	34.2	4.00	39.5	4.75	42.7	5.09
	10	21.8	2.53	25.9	3.02	30.8	3.56	32.2	3.82	34.3	4.10	38.6	4.69	42.7	5.45
	12	21.8	2.56	25.9	3.07	30.8	3.62	32.2	3.89	34.3	4.18	38.6	4.77	42.7	5.40
	14	21.8	2.61	25.9	3.14	30.8	3.68	32.2	3.96	34.3	4.26	38.6	4.85	42.7	5.52
	16	21.8	2.65	25.9	3.19	30.8	3.76	32.2	4.03	34.3	4.33	38.5	4.96	42.7	5.72
	18	21.8	2.70	25.9	3.25	30.8	3.84	32.2	4.12	34.3	4.41	38.5	5.07	42.7	6.12
	20	21.8	2.75	25.9	3.31	30.8	3.91	32.2	4.19	34.3	4.51	38.5	5.26	42.7	6.34
	21	21.8	2.78	25.9	3.34	30.8	3.95	32.2	4.24	34.3	4.61	38.5	5.45	42.7	6.79
	23	21.8	2.83	25.9	3.41	30.8	4.13	32.2	4.51	34.3	4.93	38.5	5.83	42.7	7.27
	25	21.8	2.91	25.9	3.62	30.8	4.42	32.2	4.82	34.3	5.26	38.5	6.24	42.7	7.75
	27	21.8	3.10	25.9	3.86	30.8	4.70	32.2	5.15	34.3	5.65	38.5	6.66	42.7	8.03
	29	21.8	3.30	25.9	4.11	30.8	5.02	32.2	5.48	34.2	6.02	38.5	7.11	42.7	8.32
	31	21.8	3.50	25.9	4.37	30.8	5.34	32.2	5.84	34.2	6.42	38.5	7.59	42.0	8.62
	33	21.8	3.72	25.9	4.87	30.8	5.69	32.2	6.22	34.2	6.83	38.5	8.09	41.4	8.93
	35	21.8	3.95	25.9	4.87	30.8	6.05	32.2	6.63	34.2	7.28	38.5	8.64	40.7	9.26
	37	21.8	4.18	25.9	5.24	30.8	6.44	32.2	7.06	34.2	7.75	38.5	9.20	40.1	9.60
	39	21.8	4.43	25.9	5.56	30.8	6.85	32.2	7.52	35.1	8.26	38.5	9.80	39.4	9.95
41	21.8	4.97	25.9	6.13	30.8	7.62	32.2	7.69	33.8	8.44	37.2	10.02	38.8	10.74	
43	21.8	5.18	26.5	6.40	30.8	8.03	32.2	8.18	33.5	8.76	37.3	10.28	38.2	11.01	
44	21.1	5.41	25.4	6.67	29.7	8.47	31.6	8.03	33.6	9.10	37.1	10.54	38.3	11.29	
46	20.0	7.0	24.4	8.0	28.9	8.8	30.6	8.6	32.7	9.5	36.1	11.1	37.4	11.8	
47	19.4	7.79	23.8	8.59	28.5	8.89	30.0	8.82	32.2	9.68	35.6	11.32	37.0	12.13	
50	16.6	7.56	20.8	8.47	25.4	9.38	27.3	9.55	29.6	10.34	33.6	12.09	35.3	12.68	
52	13.0	6.19	17.5	7.71	21.6	8.67	23.8	9.10	23.9	8.80	24.5	8.68	25.9	8.92	

Combination	Outdoor air temp (°C DB)	Indoor air temp													
		14.0°C WB		17.0°C WB		18.0°C WB		19.0°C WB		20.0°C WB		22.0°C WB		24.0°C WB	
		20.0°C DB		24.0°C DB		26.0°C DB		27.0°C DB		28.0°C DB		30.0°C DB		32.0°C DB	
		TC	PI	TC	PI	TC	PI	TC	PI	TC	PI	TC	PI	TC	PI
		kW	kW	kW	kW	kW	kW	kW	kW	kW	kW	kW	kW	kW	kW
70%	-5	19.0	1.80	22.7	2.23	27.0	2.71	28.2	2.96	30.1	3.24	34.8	3.81	37.4	4.43
	0	19.0	1.81	22.7	2.24	27.0	2.71	28.2	2.96	30.1	3.24	34.8	3.82	37.4	4.44
	4	19.0	1.81	22.7	2.24	27.0	2.72	28.2	2.97	30.1	3.25	34.8	3.83	37.4	4.46
	7	19.0	1.85	22.7	2.29	27.0	2.77	28.2	3.03	30.1	3.31	34.5	3.90	37.4	4.54
	10	19.0	2.23	22.7	2.64	27.0	3.07	28.2	3.30	30.0	3.55	33.7	4.03	37.4	4.53
	12	19.0	2.25	22.7	2.68	27.0	3.14	28.2	3.36	30.0	3.61	33.7	4.11	37.4	4.62
	14	19.0	2.29	22.7	2.73	27.0	3.19	28.2	3.41	30.0	3.67	33.7	4.18	37.4	4.70
	16	19.0	2.33	22.7	2.78	27.0	3.25	28.2	3.48	30.0	3.75	33.7	4.26	37.4	4.79
	18	19.0	2.36	22.7	2.83	27.0	3.31	28.2	3.55	30.0	3.81	33.7	4.34	37.4	4.89
	20	19.0	2.40	22.7	2.88	27.0	3.37	28.2	3.61	30.0	3.88	33.7	4.43	37.4	5.03
	21	19.0	2.43	22.7	2.90	27.0	3.40	28.2	3.65	30.0	3.92	33.7	4.48	37.4	5.20
	23	19.0	2.46	22.7	2.95	27.0	3.47	28.2	3.77	30.0	4.12	33.7	4.82	37.4	5.58
	25	19.0	2.51	22.7	3.07	27.0	3.70	28.2	4.03	30.0	4.39	33.7	5.15	37.4	5.96
	27	19.0	2.66	22.7	3.27	27.0	3.95	28.2	4.29	30.0	4.69	33.7	5.50	37.4	6.37
	29	19.0	2.83	22.7	3.47	27.0	4.19	28.2	4.58	30.0	4.99	33.7	5.86	37.4	6.81
	31	19.0	2.99	22.7	3.68	27.0	4.47	28.2	4.86	30.0	5.31	33.7	6.25	37.4	7.26
	33	19.0	3.17	22.7	3.92	27.0	4.75	28.2	5.17	30.0	5.66	33.7	6.66	37.4	7.74
	35	19.0	3.36	22.7	4.16	27.0	5.04	28.2	5.51	30.0	6.02	33.7	7.09	37.4	8.25
	37	19.0	3.55	22.7	4.41	27.0	5.36	28.2	5.85	30.1	6.41	33.7	7.56	37.4	8.79
	39	19.0	3.76	22.7	4.67	27.0	5.69	28.2	6.21	30.8	6.81	33.7	8.03	37.4	9.36
41	19.0	4.23	22.7	5.24	27.0	6.35	28.2	6.39	29.7	6.99	32.6	8.23	35.6	9.57	
43	19.0	4.42	23.1	5.46	26.7	6.69	28.2	6.79	28.6	7.25	32.7	8.44	34.7	9.82	
44	18.4	4.60	22.3	5.70	26.0	7.06	27.7	6.67	29.5	7.53	32.5	8.66	35.2	10.07	
46	17.5	6.0	21.3	6.8	25.3	7.3	26.8	7.1	28.7	7.9	31.6	9.1	34.4	10.6	
47	17.0	6.64	20.8	7.34	25.0	7.41	26.3	7.32	28.3	8.01	31.2	9.29	34.0	10.81	
50	14.5	6.44	18.2	7.23	22.3	7.81	23.9	7.93	26.0	8.55	29.4	9.93	32.4	11.31	
52	11.4	5.14	15.3	6.39	18.9	7.13	20.8	7.56	20.9	7.31	21.4	7.21	22.7	7.40	
60%	-5	16.3	1.52	19.4	1.85	23.1	2.22	24.2	2.41	25.8	2.63	29.9	3.07	32.1	3.54
	0	16.3	1.52	19.4	1.85	23.1	2.22	24.2	2.41	25.8	2.63	29.9	3.07	32.1	3.55
	4	16.3	1.53	19.4	1.86	23.1	2.23	24.2	2.42	25.8	2.64	29.9	3.09	32.1	3.56
	7	16.3	1.55	19.4	1.90	23.1	2.27	24.2	2.47	25.8	2.69	29.6	3.14	32.1	3.63
	10	16.3	1.93	19.4	2.27	23.1	2.63	24.2	2.80	25.7	3.00	28.9	3.40	32.1	3.81
	12	16.3	1.97	19.4	2.30	23.1	2.68	24.2	2.85	25.7	3.05	28.9	3.46	32.1	3.87
	14	16.3	1.99	19.4	2.34	23.1	2.71	24.2	2.90	25.7	3.11	28.9	3.52	32.1	3.95
	16	16.3	2.02	19.4	2.38	23.1	2.76	24.2	2.95	25.7	3.16	28.9	3.58	32.1	4.02
	18	16.3	2.05	19.4	2.41	23.1	2.81	24.2	3.00	25.7	3.22	28.9	3.65	32.1	4.10
	20	16.3	2.08	19.4	2.46	23.1	2.86	24.2	3.06	25.7	3.29	28.9	3.72	32.1	4.18
	21	16.3	2.10	19.4	2.48	23.1	2.89	24.2	3.09	25.7	3.31	28.9	3.76	32.1	4.22
	23	16.3	2.13	19.4	2.53	23.1	2.94	24.2	3.15	25.7	3.37	28.9	3.91	32.1	4.49
	25	16.3	2.17	19.4	2.58	23.1	3.05	24.2	3.30	25.7	3.58	28.9	4.17	32.1	4.79
	27	16.3	2.25	19.4	2.73	23.1	3.25	24.2	3.52	25.7	3.82	28.9	4.44	32.1	5.12
	29	16.3	2.38	19.4	2.89	23.1	3.46	24.2	3.74	25.7	4.07	28.9	4.74	32.1	5.46
	31	16.3	2.53	19.4	3.07	23.1	3.67	24.2	3.98	25.7	4.33	28.9	5.04	32.1	5.81
	33	16.3	2.66	19.4	3.25	23.1	3.90	24.2	4.23	25.7	4.61	28.9	5.36	32.1	6.20
	35	16.3	2.83	19.4	3.45	23.1	4.13	24.2	4.49	25.7	4.89	28.9	5.71	32.1	6.60
	37	16.3	2.99	19.4	3.65	23.1	4.38	24.2	4.76	25.8	5.19	28.9	6.07	32.1	7.02
	39	16.3	3.15	19.4	3.86	23.1	4.64	24.2	5.05	26.4	5.51	28.9	6.45	32.1	7.47
41	16.3	3.56	19.4	4.34	23.1	5.21	24.2	5.21	25.4	5.67	27.9	6.63	30.6	7.65	
43	16.3	3.71	19.4	4.52	23.0	5.49	24.2	5.53	25.0	5.89	28.2	6.79	29.9	7.85	
44	15.8	3.87	19.1	4.72	22.3	5.79	23.7	5.44	25.3	6.11	27.8	6.97	30.2	8.05	
46	15.0	5.0	18.3	5.6	21.7	6.0	22.9	5.8	24.6	6.4	27.1	7.3	29.5	8.4	
47	14.6	5.58	17.9	6.09	21.4	6.07	22.5	5.97	24.3	6.51	26.7	7.48	29.2	8.64	
50	12.4	5.41	15.6	6.00	19.1	6.41	20.5	6.46	22.3	6.95	25.2	8.00	27.8	9.04	
52	9.8	4.19	13.1	5.21	16.2	5.87	17.9	6.16	18.0	5.96	18.4	5.88	19.4	6.03	

GMV6 DC Inverter VRF Units Technical Sales Guide

Combination	Outdoor air temp (°C DB)	Indoor air temp													
		14.0°C WB		17.0°C WB		18.0°C WB		19.0°C WB		20.0°C WB		22.0°C WB		24.0°C WB	
		20.0°C DB		24.0°C DB		26.0°C DB		27.0°C DB		28.0°C DB		30.0°C DB		32.0°C DB	
		TC	PI	TC	PI	TC	PI	TC	PI	TC	PI	TC	PI	TC	PI
	kW	kW	kW	kW	kW	kW	kW	kW	kW	kW	kW	kW	kW	kW	
50%	-5	13.6	1.26	16.2	1.50	19.3	1.78	20.1	1.92	21.4	2.08	24.9	2.41	26.8	2.75
	0	13.6	1.26	16.2	1.51	19.3	1.78	20.1	1.92	21.4	2.08	24.9	2.41	26.8	2.76
	4	13.6	1.26	16.2	1.51	19.3	1.79	20.1	1.93	21.4	2.09	24.9	2.42	26.8	2.77
	7	13.6	1.29	16.2	1.54	19.3	1.82	20.1	1.96	21.4	2.13	24.7	2.46	26.8	2.82
	10	13.6	1.67	16.2	1.93	19.3	2.20	20.1	2.34	21.4	2.49	24.1	2.80	26.8	3.12
	12	13.6	1.68	16.2	1.95	19.3	2.24	20.1	2.37	21.4	2.54	24.1	2.85	26.8	3.17
	14	13.6	1.71	16.2	1.98	19.3	2.27	20.1	2.42	21.4	2.58	24.1	2.90	26.8	3.24
	16	13.6	1.73	16.2	2.00	19.3	2.30	20.1	2.45	21.4	2.61	24.1	2.95	26.8	3.29
	18	13.6	1.76	16.2	2.04	19.3	2.34	20.1	2.49	21.4	2.66	24.1	3.00	26.8	3.35
	20	13.6	1.78	16.2	2.07	19.3	2.38	20.1	2.54	21.4	2.71	24.1	3.06	26.8	3.41
	21	13.6	1.79	16.2	2.09	19.3	2.40	20.1	2.55	21.4	2.74	24.1	3.09	26.8	3.45
	23	13.6	1.82	16.2	2.12	19.3	2.44	20.1	2.60	21.4	2.79	24.1	3.14	26.8	3.52
	25	13.6	1.84	16.2	2.15	19.3	2.49	20.1	2.65	21.4	2.88	24.1	3.30	26.8	3.76
	27	13.6	1.88	16.2	2.24	19.3	2.63	20.1	2.83	21.4	3.05	24.1	3.51	26.8	4.01
	29	13.6	1.98	16.2	2.36	19.3	2.79	20.1	3.00	21.4	3.25	24.1	3.73	26.8	4.27
	31	13.6	2.09	16.2	2.50	19.3	2.97	20.1	3.19	21.4	3.45	24.1	3.97	26.8	4.54
	33	13.6	2.22	16.2	2.65	19.3	3.14	20.1	3.37	21.4	3.66	24.1	4.22	26.8	4.83
	35	13.6	2.34	16.2	2.80	19.3	3.31	20.1	3.57	21.4	3.87	24.1	4.48	26.8	5.13
	37	13.6	2.46	16.2	2.96	19.3	3.51	20.1	3.78	21.4	4.11	24.1	4.75	26.8	5.45
	39	13.6	2.60	16.2	3.12	19.3	3.71	20.1	4.00	21.9	4.36	24.1	5.04	26.8	5.79
41	13.6	2.95	16.2	3.53	19.3	4.17	20.1	4.14	21.1	4.49	23.3	5.20	25.5	5.95	
43	13.6	3.08	16.2	3.70	19.2	4.39	20.1	4.44	21.1	4.66	23.1	5.33	24.9	6.10	
44	13.2	3.21	15.9	3.84	18.6	4.64	19.8	4.32	21.0	4.84	23.2	5.47	25.2	6.26	
46	12.5	4.1	15.2	4.6	18.1	4.8	19.1	4.6	20.4	5.0	22.6	5.7	24.6	6.6	
47	12.1	4.62	14.9	4.95	17.8	4.87	18.8	4.75	20.2	5.15	22.3	5.87	24.3	6.72	
50	10.4	4.48	13.0	4.87	15.9	5.13	17.0	5.14	18.5	5.50	21.0	6.27	23.2	7.03	
52	8.1	3.33	10.9	4.15	13.5	4.67	14.9	4.90	15.0	4.74	15.3	4.68	16.2	4.80	

GMV-450WM/G-X

TC—Total capacity of outdoor unit; PI—Power input of outdoor unit

Combination	Outdoor air temp (°C DB)	Indoor air temp													
		14.0°C WB		17.0°C WB		18.0°C WB		19.0°C WB		20.0°C WB		22.0°C WB		24.0°C WB	
		20.0°C DB		24.0°C DB		26.0°C DB		27.0°C DB		28.0°C DB		30.0°C DB		32.0°C DB	
		TC	PI	TC	PI	TC	PI	TC	PI	TC	PI	TC	PI	TC	PI
		kW	kW	kW	kW	kW	kW	kW	kW	kW	kW	kW	kW	kW	
135%	-5	39.8	4.78	47.4	5.82	55.0	5.89	57.1	5.92	58.2	5.95	59.7	6.02	61.1	6.08
	0	39.8	4.78	47.4	5.83	55.0	5.90	57.1	5.93	58.2	5.96	59.7	6.03	61.1	6.09
	4	39.8	4.80	47.4	5.85	55.0	5.92	57.1	5.95	58.2	5.98	59.7	6.05	61.1	6.11
	7	39.8	4.89	47.4	5.96	55.0	6.03	57.1	6.06	58.2	6.09	59.7	6.16	61.1	6.23
	10	39.8	4.98	47.4	6.08	55.0	7.23	57.1	7.39	57.8	7.25	59.2	6.94	60.7	6.62
	12	39.8	5.07	47.4	6.20	55.0	7.38	56.3	7.35	57.1	7.20	58.4	6.88	59.9	6.78
	14	39.8	5.17	47.4	6.32	54.9	7.47	55.7	7.32	56.3	7.16	57.8	7.10	59.2	7.18
	16	39.8	5.25	47.4	6.45	54.2	7.44	54.9	7.38	55.5	7.41	57.0	7.48	58.4	7.55
	18	39.8	5.36	47.4	6.58	53.4	7.71	54.1	7.76	54.9	7.80	56.3	7.87	57.8	7.95
	20	39.8	5.47	47.4	7.00	52.6	8.09	53.4	8.14	54.1	8.18	55.5	8.25	57.0	8.34
	21	39.8	5.62	47.4	7.25	52.3	8.28	53.1	8.33	53.7	8.37	55.2	8.46	56.6	8.53
	23	39.8	6.03	47.4	7.77	51.6	8.66	52.3	8.70	52.9	8.75	54.4	8.84	55.8	8.92
	25	39.8	6.43	47.4	8.33	50.8	9.04	51.6	9.08	52.3	9.14	53.7	9.23	55.2	9.32
	27	39.8	6.87	47.4	8.91	50.2	7.96	50.8	9.48	51.5	9.52	52.9	9.62	54.4	9.72
	29	39.8	7.34	47.4	9.52	49.4	9.80	50.0	9.85	50.8	9.91	52.3	10.01	53.7	10.12
	31	39.8	7.83	47.3	10.07	48.6	10.19	49.4	10.25	50.0	10.29	51.5	10.41	52.9	10.52
	33	39.8	8.34	46.4	10.45	47.9	10.55	48.6	10.63	49.4	10.68	50.8	10.80	52.1	10.93
	35	39.8	8.89	45.6	10.83	47.1	10.96	47.9	11.02	48.6	11.08	50.0	11.21	51.5	11.32
	37	39.8	9.46	45.0	11.22	46.4	11.35	47.1	11.41	47.9	11.48	49.2	11.62	50.7	11.75
	39	39.8	10.07	44.2	11.60	45.6	11.73	46.4	11.80	47.1	11.88	48.6	12.01	50.0	12.15
41	37.6	11.21	43.4	13.64	44.7	13.81	45.5	12.78	46.2	12.85	47.6	13.00	49.0	13.14	
43	35.6	11.68	42.5	14.22	43.9	14.56	44.6	13.58	45.3	13.34	46.7	13.33	48.1	13.47	
44	35.0	12.18	41.1	14.84	42.6	15.34	43.6	14.43	44.3	13.85	45.8	13.67	47.3	13.82	
46	33.7	14.9	40.2	18.1	41.7	15.9	42.6	14.6	43.3	14.4	44.8	14.3	46.3	14.5	
47	33.0	16.21	39.7	19.74	41.2	16.11	42.1	14.65	42.7	14.73	44.3	14.68	45.8	14.83	
50	30.3	15.92	35.6	19.38	36.8	16.99	37.5	15.87	38.1	15.73	39.5	15.69	41.2	15.51	
52	19.3	9.42	26.0	11.73	32.2	13.20	35.4	13.86	35.6	13.40	36.4	13.22	38.5	13.57	
120%	-5	36.7	4.25	43.7	5.50	50.8	5.85	54.4	5.88	57.2	5.91	58.5	5.97	59.8	6.03
	0	36.7	4.26	43.7	5.51	50.8	5.86	54.4	5.89	57.2	5.92	58.5	5.98	59.8	6.05
	4	36.7	4.28	43.7	5.53	50.8	5.88	54.4	5.91	57.2	5.94	58.5	6.00	59.8	6.07
	7	36.7	4.35	43.7	5.64	50.8	5.99	54.4	6.02	57.2	6.05	58.5	6.12	59.8	6.18
	10	36.7	4.54	43.7	5.55	50.8	6.59	54.4	7.13	57.0	7.44	58.3	7.15	59.6	6.87
	12	36.7	4.63	43.7	5.65	50.8	6.72	54.4	7.26	56.2	7.39	57.5	7.12	58.7	6.83
	14	36.7	4.72	43.7	5.76	50.8	6.86	54.4	7.41	55.3	7.35	56.8	7.07	58.1	7.12
	16	36.7	4.80	43.7	5.88	50.8	6.99	54.1	7.47	54.7	7.36	56.0	7.44	57.3	7.50
	18	36.7	4.89	43.7	6.00	50.8	7.23	53.2	7.71	53.9	7.74	55.2	7.82	56.6	7.89
	20	36.7	4.99	43.7	6.23	50.8	7.77	52.6	8.09	53.2	8.12	54.5	8.19	55.8	8.27
	21	36.7	5.04	43.7	6.45	50.8	8.05	52.1	8.28	52.8	8.31	54.2	8.38	55.5	8.47
	23	36.7	5.39	43.7	6.91	50.8	8.62	51.5	8.65	52.1	8.69	53.4	8.78	54.7	8.85
	25	36.7	5.75	43.7	7.39	50.0	9.00	50.7	9.02	51.3	9.07	52.8	9.16	54.1	9.24
	27	36.7	6.14	43.7	7.90	49.4	9.36	50.0	9.42	50.7	9.46	51.9	9.55	53.2	9.64
	29	36.7	6.55	43.7	8.44	48.6	9.74	49.2	9.80	49.8	9.84	51.1	9.94	52.6	10.03
	31	36.7	6.99	43.7	9.01	47.9	10.13	48.6	10.17	49.2	10.23	50.5	10.33	51.8	10.44
	33	36.7	7.44	43.7	9.62	47.1	10.51	47.7	10.57	48.4	10.61	49.7	10.73	51.0	10.83
	35	36.7	7.92	43.7	10.25	46.3	10.89	46.9	10.95	47.7	11.00	49.0	11.12	50.3	11.24
	37	36.7	8.43	43.7	10.92	45.6	11.28	46.3	11.34	46.9	11.40	48.2	11.51	49.5	11.64
	39	36.7	8.97	43.5	11.53	44.8	11.66	45.5	11.73	46.1	11.79	47.6	11.92	48.9	12.04
41	34.7	9.98	41.5	12.91	44.0	13.72	44.6	12.70	45.4	12.76	46.7	12.90	48.0	13.03	
43	32.8	10.40	39.6	13.46	43.1	14.45	43.8	13.49	44.7	13.25	45.8	13.23	47.1	13.37	
44	32.3	10.85	39.3	14.04	41.9	15.24	42.7	14.34	43.6	13.75	44.9	13.57	46.3	13.71	
46	31.1	13.2	38.5	17.1	41.0	15.8	41.7	14.5	42.5	14.3	43.9	14.2	45.3	14.4	
47	30.5	14.43	38.0	18.68	40.5	16.00	41.2	14.56	42.0	14.64	43.4	14.57	44.8	14.72	
50	27.9	14.17	34.1	18.34	36.1	16.88	36.7	15.76	37.5	15.63	38.7	15.57	40.3	15.39	
52	18.9	9.36	25.5	11.65	31.5	13.11	34.7	13.77	34.9	13.31	35.7	13.13	37.7	13.48	

GMV6 DC Inverter VRF Units Technical Sales Guide

Combination	Outdoor air temp (°C DB)	Indoor air temp													
		14.0°C WB		17.0°C WB		18.0°C WB		19.0°C WB		20.0°C WB		22.0°C WB		24.0°C WB	
		20.0°C DB		24.0°C DB		26.0°C DB		27.0°C DB		28.0°C DB		30.0°C DB		32.0°C DB	
		TC	PI	TC	PI	TC	PI	TC	PI	TC	PI	TC	PI	TC	PI
110%	-5	33.7	3.76	40.1	4.84	46.6	5.81	49.8	5.84	53.1	5.87	57.2	5.92	58.4	5.98
	0	33.7	3.77	40.1	4.85	46.6	5.82	49.8	5.85	53.1	5.88	57.2	5.94	58.4	5.99
	4	33.7	3.78	40.1	4.87	46.6	5.84	49.8	5.87	53.1	5.90	57.2	5.96	58.4	6.01
	7	33.7	3.85	40.1	4.96	46.6	5.95	49.8	5.98	53.1	6.01	57.2	6.07	58.4	6.12
	10	33.7	4.12	40.1	5.02	46.6	5.97	49.8	6.45	53.1	6.94	57.1	7.36	58.4	7.12
	12	33.7	4.21	40.1	5.12	46.6	6.08	49.8	6.58	53.1	7.07	56.5	7.34	57.6	7.07
	14	33.7	4.28	40.1	5.21	46.6	6.20	49.8	6.70	53.1	7.20	55.7	7.34	57.0	7.06
	16	33.7	4.35	40.1	5.31	46.6	6.32	49.8	6.83	53.1	7.35	55.0	7.38	56.2	7.45
	18	33.7	4.44	40.1	5.41	46.6	6.45	49.8	7.02	53.1	7.70	54.2	7.76	55.5	7.83
	20	33.7	4.53	40.1	5.53	46.6	6.83	49.8	7.54	52.3	8.08	53.6	8.14	54.7	8.21
	21	33.7	4.57	40.1	5.69	46.6	7.07	49.8	7.82	51.9	8.27	53.1	8.33	54.4	8.40
	23	33.7	4.79	40.1	6.10	46.6	7.58	49.8	8.38	51.1	8.63	52.4	8.72	53.6	8.79
	25	33.7	5.09	40.1	6.52	46.6	8.11	49.8	8.98	50.5	9.01	51.6	9.10	52.9	9.17
	27	33.7	5.44	40.1	6.97	46.6	8.67	49.0	9.36	49.7	9.39	51.0	9.48	52.1	9.56
	29	33.7	5.81	40.1	7.44	46.6	9.27	48.4	9.74	49.0	9.78	50.2	9.87	51.5	9.96
	31	33.7	6.19	40.1	7.93	46.6	9.90	47.6	10.12	48.2	10.16	49.5	10.25	50.7	10.35
	33	33.7	6.58	40.1	8.46	46.3	10.44	46.9	10.49	47.6	10.54	48.7	10.64	50.0	10.74
	35	33.7	7.00	40.1	9.01	45.6	10.81	46.1	10.87	46.8	10.93	47.9	11.03	49.2	11.13
	37	33.7	7.45	40.1	9.59	44.8	11.21	45.5	11.25	46.0	11.31	47.3	11.43	48.4	11.53
	39	33.7	7.92	40.1	10.22	44.0	11.59	44.7	11.64	45.3	11.70	46.4	11.82	47.7	11.94
41	31.8	8.82	38.1	11.35	43.4	13.63	43.8	12.61	44.5	12.68	45.6	12.80	46.9	12.92	
43	30.1	9.20	36.2	11.84	42.7	14.36	43.0	13.41	43.7	13.16	44.8	13.12	46.0	13.24	
44	29.6	9.59	36.1	12.34	41.3	15.14	42.0	14.24	42.7	13.66	43.9	13.46	45.3	13.58	
46	28.5	11.7	35.3	15.1	40.4	15.6	41.0	14.4	41.7	14.2	42.9	14.1	44.3	14.3	
47	27.9	12.76	34.9	16.42	39.9	15.90	40.5	14.46	41.2	14.54	42.4	14.45	43.8	14.59	
50	25.6	12.53	31.3	16.13	35.6	16.76	36.1	15.66	36.7	15.52	37.8	15.45	39.4	15.25	
52	18.6	9.30	25.0	11.57	31.0	13.02	34.1	13.67	34.3	13.22	35.1	13.05	37.1	13.39	
100%	-5	30.6	3.29	36.4	4.21	42.4	5.25	45.0	5.80	48.2	5.83	54.2	5.88	57.3	5.93
	0	30.6	3.29	36.4	4.22	42.4	5.26	45.0	5.81	48.2	5.84	54.2	5.89	57.3	5.95
	4	30.6	3.31	36.4	4.23	42.4	5.28	45.0	5.83	48.2	5.86	54.2	5.91	57.3	5.97
	7	30.6	3.37	36.4	4.31	42.4	5.38	45.0	5.94	48.2	5.97	54.2	6.02	57.3	6.08
	10	30.6	3.73	36.4	4.53	42.4	5.35	45.0	5.78	48.2	6.24	54.2	7.07	57.3	7.34
	12	30.6	3.78	36.4	4.59	42.4	5.42	45.0	5.86	48.2	6.36	54.2	7.19	56.5	7.28
	14	30.6	3.84	36.4	4.67	42.4	5.52	45.0	5.96	48.2	6.48	54.2	7.31	55.8	7.23
	16	30.6	3.93	36.4	4.77	42.4	5.64	45.0	6.10	48.2	6.63	54.0	7.48	55.0	7.39
	18	30.6	4.02	36.4	4.88	42.4	5.75	45.0	6.22	48.2	6.75	53.2	7.62	54.4	7.74
	20	30.6	4.08	36.4	4.95	42.4	5.94	45.0	6.54	48.2	7.19	52.4	8.02	53.6	8.14
	21	30.6	4.12	36.4	5.00	42.4	6.14	45.0	6.77	48.2	7.43	52.1	8.30	53.2	8.37
	23	30.6	4.22	36.4	5.34	42.4	6.61	45.0	7.28	48.2	7.99	51.5	8.78	52.4	8.86
	25	30.6	4.49	36.4	5.69	42.4	7.03	45.0	7.74	48.2	8.55	50.7	9.10	51.8	9.18
	27	30.6	4.80	36.4	6.07	42.4	7.54	45.0	8.31	48.2	9.17	49.8	9.42	51.0	9.50
	29	30.6	5.08	36.4	6.49	42.4	8.07	45.0	8.88	48.1	9.71	49.2	9.87	50.3	9.96
	31	30.6	5.41	36.4	6.91	42.4	8.60	45.0	9.57	47.5	10.11	48.0	10.27	49.5	10.36
	33	30.6	5.75	36.4	7.36	42.4	9.17	45.0	10.13	46.6	10.47	47.8	10.57	48.8	10.66
	35	30.6	6.12	36.4	7.84	42.4	9.77	45.0	10.80	45.8	10.85	46.9	10.95	48.0	11.05
	37	30.6	6.52	36.4	8.35	42.4	10.41	44.5	11.19	45.2	11.24	46.2	11.32	47.4	11.43
	39	30.6	6.94	36.4	8.89	42.4	11.09	43.9	11.56	44.1	11.62	45.6	11.70	46.2	11.80
41	28.9	7.71	34.6	9.88	40.3	12.32	43.1	12.53	43.6	12.59	44.6	12.70	45.8	12.82	
43	27.3	8.04	32.9	10.30	39.3	12.98	42.3	13.32	43.0	13.07	43.7	13.03	45.3	13.15	
44	26.9	8.39	32.8	10.74	38.4	13.68	41.2	14.15	41.8	13.57	43.0	13.36	44.2	13.48	
46	25.9	10.2	32.0	13.1	37.5	14.1	40.3	14.3	40.8	14.1	42.0	14.0	43.2	14.1	
47	25.4	11.16	31.7	14.29	37.1	14.37	39.8	14.36	40.3	14.44	41.5	14.35	42.7	14.48	
50	23.2	10.96	28.4	14.03	33.1	15.15	35.5	15.55	36.0	15.41	37.1	15.33	38.4	15.14	
52	18.3	8.46	24.6	10.54	30.4	11.86	33.5	12.45	33.7	12.04	34.5	11.88	36.4	12.19	

Combination	Outdoor air temp (°C DB)	Indoor air temp													
		14.0°C WB		17.0°C WB		18.0°C WB		19.0°C WB		20.0°C WB		22.0°C WB		24.0°C WB	
		20.0°C DB		24.0°C DB		26.0°C DB		27.0°C DB		28.0°C DB		30.0°C DB		32.0°C DB	
		TC	PI	TC	PI	TC	PI	TC	PI	TC	PI	TC	PI	TC	PI
		kW	kW	kW	kW	kW	kW	kW	kW	kW	kW	kW	kW	kW	
90%	-5	27.5	2.87	32.8	3.63	38.2	4.48	40.8	4.95	43.4	5.45	48.7	5.83	54.1	5.88
	0	27.5	2.87	32.8	3.64	38.2	4.49	40.8	4.96	43.4	5.46	48.7	5.84	54.1	5.89
	4	27.5	2.88	32.8	3.65	38.2	4.51	40.8	4.98	43.4	5.48	48.7	5.86	54.1	5.91
	7	27.5	2.94	32.8	3.72	38.2	4.59	40.8	5.07	43.4	5.58	48.7	5.97	54.1	6.02
	10	27.5	3.25	32.8	3.90	38.2	4.57	40.8	5.15	43.4	5.48	48.8	6.28	54.0	7.12
	12	27.5	3.29	32.8	3.96	38.2	4.63	40.8	5.22	43.4	5.59	48.8	6.39	54.0	7.21
	14	27.5	3.35	32.8	4.02	38.2	4.71	40.8	5.30	43.4	5.69	48.8	6.50	54.0	7.33
	16	27.5	3.43	32.8	4.12	38.2	4.82	40.8	5.42	43.4	5.82	48.8	6.65	53.9	7.47
	18	27.5	3.50	32.8	4.21	38.2	4.91	40.8	5.52	43.4	5.93	48.8	6.81	53.4	7.74
	20	27.5	3.56	32.8	4.27	38.2	5.07	40.8	5.64	43.4	6.17	48.8	7.31	52.4	8.07
	21	27.5	3.59	32.8	4.31	38.2	5.25	40.8	5.82	43.4	6.39	48.8	7.56	52.1	8.25
	23	27.5	3.68	32.8	4.61	38.2	5.64	40.8	6.26	43.4	6.84	48.8	8.12	51.3	8.67
	25	27.5	3.92	32.8	4.90	38.2	6.00	40.8	6.68	43.4	7.31	48.8	8.68	50.7	9.02
	27	27.5	4.19	32.8	5.24	38.2	6.44	40.8	7.13	43.4	7.83	48.8	9.27	49.8	9.42
	29	27.5	4.44	32.8	5.60	38.2	6.89	40.8	7.62	43.4	8.36	48.2	9.71	49.2	9.80
	31	27.5	4.72	32.8	5.96	38.2	7.34	40.8	8.13	43.4	8.92	47.4	10.07	48.4	10.20
	33	27.5	5.02	32.8	6.35	38.2	7.83	40.8	8.65	43.4	9.49	46.8	10.48	47.7	10.57
	35	27.5	5.34	32.8	6.76	38.2	8.35	40.8	9.22	43.4	10.15	46.0	10.86	46.9	10.95
	37	27.5	5.69	32.8	7.20	38.2	8.89	40.1	9.56	43.4	10.86	45.2	11.25	46.3	11.22
	39	27.5	6.06	32.8	7.67	38.2	9.47	39.5	9.87	43.4	11.51	44.5	11.66	45.5	11.63
41	26.0	6.73	31.1	8.52	36.3	10.52	38.8	10.70	41.3	11.77	43.8	12.59	44.7	12.71	
43	24.6	7.02	29.6	8.88	35.3	11.09	38.0	11.37	40.5	12.22	43.0	12.91	44.0	13.05	
44	24.2	7.32	29.5	9.26	34.5	11.69	37.1	12.08	39.6	12.68	42.1	13.24	43.2	13.36	
46	23.3	8.9	28.8	11.3	33.8	12.1	36.2	12.2	38.7	13.2	41.2	13.9	42.2	14.0	
47	22.8	9.74	28.5	12.33	33.4	12.27	35.8	12.27	38.2	13.49	40.7	14.22	41.8	14.35	
50	20.9	9.56	25.6	12.10	29.8	12.94	31.9	13.28	34.1	14.41	36.3	15.20	37.5	15.01	
52	16.5	7.89	22.1	9.82	27.4	11.05	30.1	11.61	30.3	11.22	31.4	11.07	32.8	11.37	
80%	-5	24.5	2.48	29.1	3.06	33.9	3.80	36.3	4.18	38.5	4.57	43.4	5.43	48.1	5.81
	0	24.5	2.48	29.1	3.06	33.9	3.81	36.3	4.19	38.5	4.58	43.4	5.44	48.1	5.82
	4	24.5	2.49	29.1	3.07	33.9	3.82	36.3	4.20	38.5	4.60	43.4	5.46	48.1	5.84
	7	24.5	2.54	29.1	3.13	33.9	3.89	36.3	4.28	38.5	4.68	43.4	5.56	48.1	5.95
	10	24.5	2.95	29.1	3.54	33.9	4.16	36.3	4.48	38.6	4.80	43.4	5.48	48.1	6.37
	12	24.5	3.00	29.1	3.60	33.9	4.24	36.3	4.57	38.6	4.89	43.4	5.58	48.1	6.32
	14	24.5	3.06	29.1	3.67	33.9	4.31	36.3	4.64	38.6	4.98	43.4	5.68	48.1	6.46
	16	24.5	3.10	29.1	3.73	33.9	4.40	36.3	4.73	38.6	5.06	43.4	5.80	48.1	6.69
	18	24.5	3.16	29.1	3.80	33.9	4.49	36.3	4.83	38.6	5.16	43.4	5.93	48.1	7.16
	20	24.5	3.22	29.1	3.87	33.9	4.57	36.3	4.92	38.6	5.27	43.4	6.15	48.1	7.42
	21	24.5	3.25	29.1	3.90	33.9	4.61	36.3	4.98	38.6	5.39	43.4	6.37	48.1	7.94
	23	24.5	3.30	29.1	3.99	33.9	4.83	36.3	5.30	38.6	5.77	43.4	6.82	48.1	8.50
	25	24.5	3.41	29.1	4.24	33.9	5.17	36.3	5.66	38.6	6.15	43.4	7.30	48.1	9.07
	27	24.5	3.62	29.1	4.51	33.9	5.50	36.3	6.04	38.6	6.60	43.4	7.79	48.1	9.39
	29	24.5	3.86	29.1	4.80	33.9	5.87	36.3	6.43	38.5	7.04	43.4	8.31	48.1	9.73
	31	24.5	4.09	29.1	5.11	33.9	6.24	36.3	6.86	38.5	7.50	43.4	8.87	47.3	10.08
	33	24.5	4.35	29.1	5.69	33.9	6.65	36.3	7.30	38.5	7.99	43.4	9.47	46.6	10.44
	35	24.5	4.61	29.1	5.69	33.9	7.07	36.3	7.79	38.5	8.51	43.4	10.10	45.8	10.82
	37	24.5	4.89	29.1	6.13	33.9	7.53	35.6	8.29	38.5	9.06	43.4	10.76	45.2	11.22
	39	24.5	5.18	29.1	6.51	33.9	8.01	35.1	8.83	38.5	9.65	43.4	11.46	44.3	11.64
41	23.1	5.81	27.7	7.17	32.2	8.91	34.5	9.03	36.6	9.87	41.3	11.72	43.6	12.56	
43	21.9	6.06	26.9	7.48	31.4	9.39	33.8	9.60	35.8	10.25	40.5	12.02	43.0	12.88	
44	21.5	6.32	26.2	7.80	30.7	9.90	33.0	10.20	35.1	10.64	39.7	12.33	42.1	13.20	
46	20.7	7.7	25.6	9.5	30.0	10.2	32.2	10.3	34.3	11.1	38.8	12.9	41.2	13.9	
47	20.3	8.41	25.3	10.37	29.7	10.40	31.8	10.36	33.8	11.32	38.4	13.23	40.8	14.18	
50	18.6	8.26	22.7	10.19	26.5	10.96	28.4	11.21	30.2	12.09	34.3	14.14	36.6	14.83	
52	14.6	6.66	19.7	8.29	24.3	9.33	26.8	9.79	26.9	9.47	27.6	9.34	29.1	9.59	

GMV6 DC Inverter VRF Units Technical Sales Guide

Combination	Outdoor air temp (°C DB)	Indoor air temp													
		14.0°C WB		17.0°C WB		18.0°C WB		19.0°C WB		20.0°C WB		22.0°C WB		24.0°C WB	
		20.0°C DB		24.0°C DB		26.0°C DB		27.0°C DB		28.0°C DB		30.0°C DB		32.0°C DB	
		TC	PI	TC	PI	TC	PI	TC	PI	TC	PI	TC	PI	TC	PI
70%	-5	21.4	2.11	25.5	2.61	29.7	3.17	31.7	3.47	33.8	3.78	37.9	4.46	42.1	5.18
	0	21.4	2.11	25.5	2.62	29.7	3.17	31.7	3.48	33.8	3.79	37.9	4.46	42.1	5.19
	4	21.4	2.12	25.5	2.63	29.7	3.18	31.7	3.49	33.8	3.80	37.9	4.48	42.1	5.21
	7	21.4	2.16	25.5	2.67	29.7	3.24	31.7	3.55	33.8	3.87	37.9	4.56	42.1	5.31
	10	21.4	2.61	25.5	3.09	29.7	3.60	31.7	3.87	33.8	4.15	37.9	4.72	42.1	5.30
	12	21.4	2.63	25.5	3.13	29.7	3.67	31.7	3.94	33.8	4.22	37.9	4.80	42.1	5.40
	14	21.4	2.68	25.5	3.19	29.7	3.73	31.7	4.00	33.8	4.29	37.9	4.89	42.1	5.50
	16	21.4	2.72	25.5	3.25	29.7	3.80	31.7	4.09	33.8	4.38	37.9	4.98	42.1	5.60
	18	21.4	2.77	25.5	3.30	29.7	3.87	31.7	4.16	33.8	4.45	37.9	5.08	42.1	5.72
	20	21.4	2.81	25.5	3.36	29.7	3.94	31.7	4.24	33.8	4.54	37.9	5.18	42.1	5.88
	21	21.4	2.84	25.5	3.39	29.7	3.97	31.7	4.28	33.8	4.58	37.9	5.24	42.1	6.08
	23	21.4	2.88	25.5	3.45	29.7	4.06	31.7	4.42	33.8	4.82	37.9	5.63	42.1	6.52
	25	21.4	2.94	25.5	3.60	29.7	4.32	31.7	4.73	33.8	5.14	37.9	6.03	42.1	6.97
	27	21.4	3.11	25.5	3.83	29.7	4.61	31.7	5.04	33.8	5.49	37.9	6.43	42.1	7.45
	29	21.4	3.30	25.5	4.06	29.7	4.91	31.7	5.37	33.8	5.84	37.9	6.86	42.1	7.96
	31	21.4	3.49	25.5	4.31	29.7	5.23	31.7	5.71	33.8	6.22	37.9	7.31	42.1	8.49
	33	21.4	3.71	25.5	4.58	29.7	5.56	31.7	6.07	33.8	6.62	37.9	7.79	42.1	9.05
	35	21.4	3.93	25.5	4.86	29.7	5.89	31.7	6.46	33.8	7.04	37.9	8.30	42.1	9.65
	37	21.4	4.15	25.5	5.15	29.7	6.27	31.2	6.87	33.8	7.50	37.9	8.84	42.1	10.28
	39	21.4	4.40	25.5	5.46	29.7	6.65	30.7	7.29	33.8	7.96	37.9	9.39	42.1	10.95
41	20.2	4.95	24.2	6.13	28.2	7.43	30.1	7.50	32.1	8.17	36.1	9.62	40.1	11.19	
43	19.1	5.16	23.5	6.39	27.2	7.83	29.6	7.97	30.5	8.48	35.4	9.87	39.0	11.48	
44	18.8	5.38	22.9	6.66	26.9	8.25	28.9	8.47	30.8	8.81	34.8	10.12	38.7	11.77	
46	18.1	6.6	22.4	8.1	26.3	8.5	28.2	8.6	30.1	9.2	34.0	10.6	37.9	12.4	
47	17.8	7.16	22.2	8.86	26.0	8.67	27.8	8.60	29.7	9.37	33.6	10.87	37.4	12.64	
50	16.3	7.03	19.9	8.70	23.2	9.14	24.8	9.31	26.5	10.00	30.0	11.62	33.7	13.22	
52	12.8	5.53	17.2	6.88	21.3	7.67	23.4	8.13	23.6	7.86	24.1	7.75	25.5	7.96	
60%	-5	18.4	1.77	21.8	2.17	25.4	2.59	27.2	2.83	29.0	3.07	32.5	3.59	36.1	4.14
	0	18.4	1.78	21.8	2.17	25.4	2.60	27.2	2.83	29.0	3.08	32.5	3.59	36.1	4.15
	4	18.4	1.78	21.8	2.18	25.4	2.61	27.2	2.85	29.0	3.09	32.5	3.61	36.1	4.17
	7	18.4	1.82	21.8	2.22	25.4	2.66	27.2	2.90	29.0	3.15	32.5	3.67	36.1	4.24
	10	18.4	2.26	21.8	2.65	25.4	3.07	27.2	3.29	28.9	3.51	32.5	3.97	36.1	4.45
	12	18.4	2.30	21.8	2.69	25.4	3.13	27.2	3.35	28.9	3.57	32.5	4.05	36.1	4.53
	14	18.4	2.33	21.8	2.74	25.4	3.17	27.2	3.41	28.9	3.64	32.5	4.12	36.1	4.61
	16	18.4	2.36	21.8	2.78	25.4	3.23	27.2	3.46	28.9	3.70	32.5	4.19	36.1	4.70
	18	18.4	2.40	21.8	2.82	25.4	3.29	27.2	3.52	28.9	3.77	32.5	4.26	36.1	4.79
	20	18.4	2.43	21.8	2.88	25.4	3.35	27.2	3.60	28.9	3.84	32.5	4.35	36.1	4.89
	21	18.4	2.46	21.8	2.90	25.4	3.38	27.2	3.62	28.9	3.87	32.5	4.40	36.1	4.93
	23	18.4	2.49	21.8	2.95	25.4	3.44	27.2	3.70	28.9	3.94	32.5	4.57	36.1	5.25
	25	18.4	2.53	21.8	3.01	25.4	3.57	27.2	3.87	28.9	4.19	32.5	4.88	36.1	5.60
	27	18.4	2.63	21.8	3.19	25.4	3.80	27.2	4.13	28.9	4.47	32.5	5.20	36.1	5.98
	29	18.4	2.78	21.8	3.38	25.4	4.05	27.2	4.40	28.9	4.76	32.5	5.55	36.1	6.39
	31	18.4	2.95	21.8	3.60	25.4	4.29	27.2	4.67	28.9	5.07	32.5	5.89	36.1	6.80
	33	18.4	3.11	21.8	3.80	25.4	4.56	27.2	4.96	28.9	5.39	32.5	6.27	36.1	7.25
	35	18.4	3.30	21.8	4.03	25.4	4.83	27.2	5.27	28.9	5.72	32.5	6.68	36.1	7.71
	37	18.4	3.49	21.8	4.26	25.4	5.12	26.7	5.59	28.9	6.07	32.5	7.10	36.1	8.21
	39	18.4	3.68	21.8	4.51	25.4	5.43	26.3	5.92	28.9	6.45	32.5	7.54	36.1	8.73
41	17.3	4.16	20.8	5.08	24.2	6.09	25.8	6.11	27.5	6.64	31.0	7.75	34.4	8.95	
43	16.4	4.34	19.7	5.29	23.5	6.42	25.4	6.49	26.7	6.89	30.6	7.94	33.7	9.18	
44	16.1	4.53	19.7	5.52	23.0	6.77	24.7	6.90	26.4	7.15	29.8	8.15	33.2	9.41	
46	15.5	5.5	19.2	6.7	22.5	7.0	24.2	7.0	25.8	7.5	29.1	8.6	32.5	9.9	
47	15.2	6.02	19.0	7.35	22.3	7.10	23.9	7.01	25.5	7.61	28.8	8.75	32.1	10.11	
50	13.9	5.91	17.0	7.22	19.9	7.49	21.3	7.59	22.7	8.12	25.7	9.35	28.9	10.57	
52	11.0	4.51	14.8	5.61	18.3	6.31	20.1	6.63	20.2	6.41	20.7	6.32	21.8	6.49	

Combination	Outdoor air temp (°C DB)	Indoor air temp													
		14.0°C WB		17.0°C WB		18.0°C WB		19.0°C WB		20.0°C WB		22.0°C WB		24.0°C WB	
		20.0°C DB		24.0°C DB		26.0°C DB		27.0°C DB		28.0°C DB		30.0°C DB		32.0°C DB	
		TC	PI	TC	PI	TC	PI	TC	PI	TC	PI	TC	PI	TC	PI
		kW	kW	kW	kW	kW	kW	kW	kW	kW	kW	kW	kW	kW	
50%	-5	15.3	1.47	18.2	1.76	21.2	2.08	22.7	2.25	24.1	2.43	27.1	2.81	30.1	3.22
	0	15.3	1.47	18.2	1.76	21.2	2.08	22.7	2.26	24.1	2.44	27.1	2.82	30.1	3.23
	4	15.3	1.48	18.2	1.77	21.2	2.09	22.7	2.26	24.1	2.44	27.1	2.83	30.1	3.24
	7	15.3	1.51	18.2	1.80	21.2	2.13	22.7	2.31	24.1	2.49	27.1	2.88	30.1	3.30
	10	15.3	1.95	18.2	2.26	21.2	2.58	22.7	2.75	24.1	2.91	27.1	3.27	30.1	3.65
	12	15.3	1.96	18.2	2.29	21.2	2.62	22.7	2.78	24.1	2.97	27.1	3.33	30.1	3.71
	14	15.3	1.99	18.2	2.31	21.2	2.65	22.7	2.84	24.1	3.01	27.1	3.39	30.1	3.78
	16	15.3	2.02	18.2	2.34	21.2	2.69	22.7	2.88	24.1	3.06	27.1	3.45	30.1	3.84
	18	15.3	2.05	18.2	2.39	21.2	2.74	22.7	2.93	24.1	3.11	27.1	3.51	30.1	3.92
	20	15.3	2.08	18.2	2.42	21.2	2.78	22.7	2.98	24.1	3.17	27.1	3.58	30.1	3.99
	21	15.3	2.10	18.2	2.45	21.2	2.81	22.7	3.00	24.1	3.20	27.1	3.61	30.1	4.03
	23	15.3	2.13	18.2	2.47	21.2	2.85	22.7	3.06	24.1	3.26	27.1	3.67	30.1	4.12
	25	15.3	2.15	18.2	2.52	21.2	2.91	22.7	3.11	24.1	3.36	27.1	3.86	30.1	4.40
	27	15.3	2.20	18.2	2.62	21.2	3.07	22.7	3.32	24.1	3.57	27.1	4.10	30.1	4.69
	29	15.3	2.31	18.2	2.77	21.2	3.26	22.7	3.52	24.0	3.80	27.1	4.37	30.1	4.99
	31	15.3	2.45	18.2	2.93	21.2	3.48	22.7	3.74	24.0	4.03	27.1	4.64	30.1	5.31
	33	15.3	2.59	18.2	3.10	21.2	3.67	22.7	3.96	24.0	4.28	27.1	4.93	30.1	5.65
	35	15.3	2.74	18.2	3.27	21.2	3.87	22.7	4.19	24.0	4.53	27.1	5.24	30.1	6.00
	37	15.3	2.88	18.2	3.46	21.2	4.10	22.3	4.44	24.0	4.80	27.1	5.56	30.1	6.38
	39	15.3	3.04	18.2	3.65	21.2	4.34	21.9	4.70	24.0	5.09	27.1	5.89	30.1	6.77
41	14.5	3.45	17.3	4.13	20.1	4.88	21.5	4.86	22.9	5.25	25.8	6.08	28.7	6.96	
43	13.7	3.60	16.4	4.33	19.6	5.14	21.1	5.21	22.5	5.45	25.1	6.24	28.0	7.14	
44	13.5	3.75	16.4	4.49	19.2	5.42	20.6	5.49	21.9	5.66	24.8	6.39	27.7	7.32	
46	12.9	4.6	16.0	5.5	18.8	5.6	20.1	5.5	21.4	5.9	24.3	6.7	27.1	7.7	
47	12.7	4.99	15.8	5.97	18.6	5.69	19.9	5.58	21.1	6.02	24.0	6.86	26.8	7.86	
50	11.6	4.90	14.2	5.86	16.6	6.00	17.7	6.04	18.9	6.43	21.4	7.34	24.1	8.22	
52	9.1	3.58	12.3	4.46	15.2	5.02	16.7	5.27	16.8	5.10	17.2	5.03	18.2	5.16	

GMV6 DC Inverter VRF Units Technical Sales Guide

GMV-504WM/G-X

TC—Total capacity of outdoor unit; PI—Power input of outdoor unit

Combination	Outdoor air temp (°C DB)	Indoor air temp													
		14.0°C WB		17.0°C WB		18.0°C WB		19.0°C WB		20.0°C WB		22.0°C WB		24.0°C WB	
		20.0°C DB		24.0°C DB		26.0°C DB		27.0°C DB		28.0°C DB		30.0°C DB		32.0°C DB	
		TC	PI	TC	PI	TC	PI	TC	PI	TC	PI	TC	PI	TC	PI
135%	-5	44.6	5.44	53.1	6.62	61.6	6.70	64.0	6.74	65.1	6.77	66.8	6.85	68.5	6.93
	0	44.6	5.45	53.1	6.64	61.6	6.72	64.0	6.75	65.1	6.79	66.8	6.87	68.5	6.94
	4	44.6	5.47	53.1	6.66	61.6	6.74	64.0	6.78	65.1	6.81	66.8	6.89	68.5	6.96
	7	44.6	5.57	53.1	6.78	61.6	6.87	64.0	6.90	65.1	6.94	66.8	7.02	68.5	7.09
	10	44.6	5.67	53.1	6.93	61.6	8.24	64.0	8.42	64.7	8.26	66.3	7.91	68.0	7.54
	12	44.6	5.77	53.1	7.06	61.6	8.40	63.1	8.37	64.0	8.21	65.4	7.84	67.1	7.72
	14	44.6	5.88	53.1	7.19	61.4	8.50	62.4	8.34	63.1	8.16	64.7	8.09	66.3	8.17
	16	44.6	5.98	53.1	7.34	60.7	8.47	61.4	8.40	62.2	8.44	63.8	8.52	65.4	8.60
	18	44.6	6.10	53.1	7.49	59.8	8.79	60.5	8.84	61.4	8.89	63.1	8.97	64.7	9.05
	20	44.6	6.23	53.1	7.97	58.9	9.22	59.8	9.27	60.5	9.32	62.2	9.40	63.8	9.50
	21	44.6	6.40	53.1	8.26	58.5	9.43	59.5	9.48	60.2	9.53	61.8	9.63	63.4	9.71
	23	44.6	6.86	53.1	8.85	57.8	9.86	58.5	9.91	59.3	9.96	60.9	10.06	62.5	10.16
	25	44.6	7.33	53.1	9.48	56.9	10.29	57.8	10.34	58.5	10.41	60.2	10.51	61.8	10.61
	27	44.6	7.82	53.1	10.15	56.2	9.07	56.9	10.79	57.6	10.84	59.3	10.96	60.9	11.07
	29	44.6	8.35	53.1	10.84	55.3	11.16	56.0	11.22	56.9	11.29	58.5	11.40	60.2	11.52
	31	44.6	8.92	52.9	11.47	54.4	11.60	55.3	11.67	56.0	11.72	57.6	11.85	59.3	11.99
	33	44.6	9.50	52.0	11.90	53.7	12.02	54.4	12.10	55.3	12.17	56.9	12.30	58.4	12.45
	35	44.6	10.13	51.1	12.33	52.7	12.48	53.7	12.55	54.4	12.61	56.0	12.76	57.6	12.90
	37	44.6	10.77	50.4	12.78	52.0	12.93	52.7	13.00	53.7	13.08	55.1	13.23	56.7	13.38
	39	44.6	11.47	49.5	13.21	51.1	13.36	52.0	13.44	52.7	13.53	54.4	13.68	56.0	13.84
41	42.1	12.76	48.6	15.54	50.1	15.73	51.0	14.56	51.7	14.63	53.3	14.81	54.9	14.96	
43	39.8	13.31	47.7	16.20	49.1	16.58	50.0	15.47	50.7	15.19	52.3	15.18	53.9	15.34	
44	39.2	13.88	46.0	16.90	47.7	17.48	48.8	16.44	49.6	15.77	51.3	15.57	53.0	15.73	
46	37.8	16.9	45.0	20.6	46.7	18.1	47.7	16.6	48.5	16.4	50.1	16.3	51.9	16.5	
47	37.0	18.46	44.5	22.48	46.2	18.35	47.1	16.69	47.9	16.78	49.6	16.72	51.3	16.89	
50	33.9	18.13	39.9	22.08	41.2	19.35	42.0	18.07	42.7	17.91	44.2	17.87	46.1	17.67	
52	21.7	10.73	29.1	13.36	36.0	15.03	39.7	15.78	39.9	15.26	40.8	15.06	43.1	15.46	
120%	-5	41.1	4.84	48.9	6.27	56.9	6.66	60.9	6.69	64.1	6.73	65.5	6.80	67.0	6.87
	0	41.1	4.85	48.9	6.28	56.9	6.67	60.9	6.71	64.1	6.74	65.5	6.81	67.0	6.88
	4	41.1	4.87	48.9	6.30	56.9	6.70	60.9	6.73	64.1	6.77	65.5	6.84	67.0	6.91
	7	41.1	4.96	48.9	6.42	56.9	6.82	60.9	6.86	64.1	6.89	65.5	6.97	67.0	7.04
	10	41.1	5.17	48.9	6.32	56.9	7.51	60.9	8.12	63.8	8.47	65.3	8.14	66.7	7.82
	12	41.1	5.27	48.9	6.43	56.9	7.66	60.9	8.27	62.9	8.42	64.3	8.11	65.8	7.77
	14	41.1	5.37	48.9	6.56	56.9	7.81	60.9	8.44	62.0	8.37	63.6	8.06	65.1	8.11
	16	41.1	5.47	48.9	6.70	56.9	7.96	60.5	8.50	61.3	8.39	62.7	8.47	64.2	8.54
	18	41.1	5.57	48.9	6.83	56.9	8.24	59.6	8.79	60.4	8.82	61.8	8.90	63.4	8.98
	20	41.1	5.69	48.9	7.09	56.9	8.85	58.9	9.22	59.6	9.25	61.1	9.33	62.5	9.42
	21	41.1	5.74	48.9	7.34	56.9	9.17	58.4	9.43	59.1	9.47	60.7	9.55	62.2	9.65
	23	41.1	6.13	48.9	7.87	56.9	9.81	57.6	9.85	58.4	9.90	59.8	10.00	61.3	10.08
	25	41.1	6.55	48.9	8.42	56.0	10.24	56.7	10.28	57.5	10.33	59.1	10.43	60.5	10.53
	27	41.1	7.00	48.9	9.00	55.3	10.66	56.0	10.73	56.7	10.77	58.2	10.87	59.6	10.97
	29	41.1	7.46	48.9	9.61	54.4	11.09	55.1	11.16	55.8	11.21	57.3	11.32	58.9	11.42
	31	41.1	7.96	48.9	10.26	53.7	11.54	54.4	11.59	55.1	11.65	56.6	11.77	58.0	11.89
	33	41.1	8.47	48.9	10.96	52.7	11.97	53.5	12.03	54.2	12.08	55.6	12.22	57.1	12.33
	35	41.1	9.02	48.9	11.67	51.8	12.40	52.6	12.47	53.5	12.53	54.9	12.66	56.4	12.80
	37	41.1	9.60	48.9	12.43	51.1	12.85	51.8	12.91	52.6	12.98	54.0	13.11	55.5	13.26
	39	41.1	10.21	48.8	13.13	50.2	13.28	50.9	13.36	51.7	13.43	53.3	13.58	54.7	13.71
41	38.9	11.36	46.5	14.70	49.3	15.62	50.0	14.46	50.9	14.54	52.3	14.69	53.7	14.84	
43	36.7	11.84	44.3	15.33	48.3	16.46	49.0	15.36	50.1	15.09	51.3	15.06	52.7	15.23	
44	36.2	12.35	44.0	15.99	46.9	17.36	47.8	16.33	48.8	15.67	50.3	15.45	51.9	15.61	
46	34.8	15.1	43.1	19.5	45.9	17.9	46.7	16.5	47.6	16.3	49.2	16.2	50.7	16.4	
47	34.2	16.44	42.6	21.27	45.4	18.23	46.2	16.58	47.1	16.67	48.6	16.59	50.2	16.76	
50	31.3	16.14	38.2	20.89	40.5	19.22	41.2	17.95	42.0	17.80	43.4	17.73	45.1	17.53	
52	21.2	10.66	28.5	13.27	35.3	14.93	38.9	15.68	39.0	15.16	40.0	14.96	42.2	15.36	

Combination	Outdoor air temp (°C DB)	Indoor air temp													
		14.0°C WB		17.0°C WB		18.0°C WB		19.0°C WB		20.0°C WB		22.0°C WB		24.0°C WB	
		20.0°C DB		24.0°C DB		26.0°C DB		27.0°C DB		28.0°C DB		30.0°C DB		32.0°C DB	
		TC	PI	TC	PI	TC	PI	TC	PI	TC	PI	TC	PI	TC	PI
	kW	kW	kW	kW	kW	kW	kW	kW	kW	kW	kW	kW	kW	kW	
110%	-5	37.7	4.28	45.0	5.51	52.2	6.61	55.8	6.65	59.5	6.69	64.1	6.75	65.4	6.81
	0	37.7	4.29	45.0	5.52	52.2	6.63	55.8	6.66	59.5	6.70	64.1	6.76	65.4	6.82
	4	37.7	4.31	45.0	5.54	52.2	6.65	55.8	6.69	59.5	6.72	64.1	6.79	65.4	6.85
	7	37.7	4.39	45.0	5.64	52.2	6.77	55.8	6.81	59.5	6.85	64.1	6.91	65.4	6.97
	10	37.7	4.69	45.0	5.72	52.2	6.80	55.8	7.34	59.5	7.91	64.0	8.39	65.4	8.11
	12	37.7	4.79	45.0	5.84	52.2	6.93	55.8	7.49	59.5	8.06	63.3	8.35	64.5	8.06
	14	37.7	4.87	45.0	5.93	52.2	7.06	55.8	7.63	59.5	8.21	62.4	8.35	63.8	8.04
	16	37.7	4.96	45.0	6.05	52.2	7.19	55.8	7.77	59.5	8.37	61.6	8.40	62.9	8.49
	18	37.7	5.06	45.0	6.17	52.2	7.34	55.8	7.99	59.5	8.77	60.7	8.84	62.2	8.92
	20	37.7	5.16	45.0	6.30	52.2	7.77	55.8	8.59	58.5	9.20	60.0	9.27	61.3	9.35
	21	37.7	5.21	45.0	6.48	52.2	8.06	55.8	8.90	58.2	9.42	59.5	9.48	60.9	9.56
	23	37.7	5.45	45.0	6.95	52.2	8.64	55.8	9.55	57.3	9.83	58.7	9.93	60.0	10.01
	25	37.7	5.80	45.0	7.43	52.2	9.23	55.8	10.23	56.6	10.26	57.8	10.36	59.3	10.44
	27	37.7	6.20	45.0	7.94	52.2	9.88	54.9	10.66	55.6	10.69	57.1	10.79	58.4	10.89
	29	37.7	6.61	45.0	8.47	52.2	10.56	54.2	11.09	54.9	11.14	56.2	11.24	57.6	11.34
	31	37.7	7.05	45.0	9.03	52.2	11.27	53.3	11.52	54.0	11.57	55.5	11.67	56.7	11.79
	33	37.7	7.49	45.0	9.63	51.8	11.89	52.6	11.95	53.3	12.00	54.6	12.12	56.0	12.23
	35	37.7	7.97	45.0	10.26	51.1	12.32	51.7	12.38	52.4	12.45	53.7	12.57	55.1	12.68
	37	37.7	8.49	45.0	10.92	50.2	12.76	50.9	12.81	51.5	12.88	52.9	13.01	54.2	13.13
	39	37.7	9.02	45.0	11.64	49.3	13.20	50.0	13.26	50.8	13.33	52.0	13.46	53.5	13.59
41	35.6	10.05	42.7	12.93	48.6	15.52	49.1	14.36	49.8	14.44	51.1	14.58	52.5	14.71	
43	33.7	10.48	40.6	13.48	47.8	16.36	48.2	15.27	48.9	14.99	50.2	14.95	51.6	15.08	
44	33.2	10.92	40.5	14.06	46.3	17.24	47.0	16.22	47.8	15.56	49.1	15.33	50.7	15.47	
46	31.9	13.3	39.6	17.2	45.2	17.8	45.9	16.4	46.7	16.2	48.0	16.1	49.6	16.2	
47	31.3	14.54	39.1	18.71	44.7	18.11	45.4	16.47	46.1	16.56	47.5	16.46	49.0	16.61	
50	28.7	14.27	35.1	18.37	39.9	19.09	40.4	17.83	41.1	17.68	42.4	17.59	44.1	17.37	
52	20.8	10.59	28.0	13.18	34.7	14.83	38.2	15.57	38.4	15.06	39.3	14.86	41.5	15.26	
100%	-5	34.3	3.74	40.8	4.79	47.5	5.98	50.4	6.61	54.0	6.64	60.7	6.70	64.1	6.76
	0	34.3	3.75	40.8	4.80	47.5	5.99	50.4	6.62	54.0	6.65	60.7	6.71	64.1	6.77
	4	34.3	3.77	40.8	4.82	47.5	6.01	50.4	6.64	54.0	6.68	60.7	6.74	64.1	6.80
	7	34.3	3.83	40.8	4.91	47.5	6.12	50.4	6.77	54.0	6.80	60.7	6.86	64.1	6.92
	10	34.3	4.24	40.8	5.16	47.5	6.10	50.4	6.58	54.0	7.11	60.7	8.05	64.2	8.36
	12	34.3	4.30	40.8	5.22	47.5	6.18	50.4	6.67	54.0	7.25	60.7	8.19	63.2	8.30
	14	34.3	4.37	40.8	5.31	47.5	6.29	50.4	6.79	54.0	7.38	60.7	8.33	62.5	8.23
	16	34.3	4.47	40.8	5.43	47.5	6.43	50.4	6.95	54.0	7.55	60.5	8.51	61.6	8.42
	18	34.3	4.57	40.8	5.56	47.5	6.55	50.4	7.08	54.0	7.69	59.6	8.68	60.9	8.81
	20	34.3	4.64	40.8	5.64	47.5	6.77	50.4	7.45	54.0	8.18	58.7	9.14	60.0	9.28
	21	34.3	4.69	40.8	5.70	47.5	7.00	50.4	7.71	54.0	8.46	58.4	9.45	59.6	9.53
	23	34.3	4.81	40.8	6.09	47.5	7.53	50.4	8.29	54.0	9.10	57.7	10.00	58.7	10.09
	25	34.3	5.12	40.8	6.48	47.5	8.01	50.4	8.82	54.0	9.73	56.7	10.36	58.0	10.45
	27	34.3	5.47	40.8	6.92	47.5	8.59	50.4	9.46	54.0	10.44	55.8	10.73	57.1	10.82
	29	34.3	5.79	40.8	7.39	47.5	9.19	50.4	10.12	53.8	11.06	55.1	11.24	56.3	11.34
	31	34.3	6.16	40.8	7.87	47.5	9.79	50.4	10.90	53.2	11.51	53.8	11.70	55.5	11.80
	33	34.3	6.55	40.8	8.38	47.5	10.44	50.4	11.54	52.2	11.93	53.5	12.04	54.7	12.14
	35	34.3	6.97	40.8	8.93	47.5	11.13	50.4	12.30	51.3	12.36	52.5	12.47	53.8	12.59
	37	34.3	7.43	40.8	9.51	47.5	11.86	49.8	12.74	50.7	12.81	51.8	12.90	53.0	13.01
	39	34.3	7.91	40.8	10.13	47.5	12.63	49.2	13.16	49.4	13.23	51.1	13.32	51.8	13.44
41	32.4	8.79	38.7	11.25	45.1	14.03	48.2	14.27	48.8	14.34	50.0	14.47	51.3	14.60	
43	30.6	9.16	36.8	11.73	44.0	14.78	47.3	15.16	48.1	14.88	48.9	14.84	50.8	14.97	
44	30.1	9.55	36.7	12.23	43.0	15.58	46.2	16.11	46.8	15.45	48.1	15.22	49.5	15.35	
46	29.0	11.7	35.9	14.9	42.0	16.1	45.1	16.3	45.7	16.1	47.0	16.0	48.4	16.1	
47	28.4	12.71	35.5	16.27	41.6	16.36	44.6	16.36	45.1	16.44	46.5	16.34	47.9	16.49	
50	26.0	12.48	31.8	15.98	37.1	17.25	39.7	17.71	40.3	17.55	41.5	17.46	43.0	17.24	
52	20.5	9.64	27.6	12.00	34.1	13.50	37.5	14.18	37.7	13.71	38.6	13.53	40.8	13.89	

GMV6 DC Inverter VRF Units Technical Sales Guide

Combination	Outdoor air temp (°C DB)	Indoor air temp													
		14.0°C WB		17.0°C WB		18.0°C WB		19.0°C WB		20.0°C WB		22.0°C WB		24.0°C WB	
		20.0°C DB		24.0°C DB		26.0°C DB		27.0°C DB		28.0°C DB		30.0°C DB		32.0°C DB	
		TC	PI	TC	PI	TC	PI	TC	PI	TC	PI	TC	PI	TC	PI
90%	-5	30.8	3.27	36.7	4.13	42.7	5.10	45.7	5.64	48.6	6.20	54.6	6.64	60.5	6.70
	0	30.8	3.27	36.7	4.14	42.7	5.11	45.7	5.65	48.6	6.22	54.6	6.65	60.5	6.71
	4	30.8	3.28	36.7	4.16	42.7	5.13	45.7	5.67	48.6	6.24	54.6	6.68	60.5	6.74
	7	30.8	3.35	36.7	4.24	42.7	5.23	45.7	5.78	48.6	6.36	54.6	6.80	60.5	6.86
	10	30.8	3.70	36.7	4.45	42.7	5.21	45.7	5.87	48.6	6.25	54.6	7.16	60.5	8.11
	12	30.8	3.75	36.7	4.51	42.7	5.28	45.7	5.94	48.6	6.37	54.6	7.28	60.5	8.21
	14	30.8	3.82	36.7	4.58	42.7	5.37	45.7	6.03	48.6	6.48	54.6	7.41	60.5	8.35
	16	30.8	3.90	36.7	4.69	42.7	5.49	45.7	6.17	48.6	6.62	54.6	7.57	60.3	8.51
	18	30.8	3.99	36.7	4.79	42.7	5.59	45.7	6.29	48.6	6.75	54.6	7.75	59.8	8.82
	20	30.8	4.05	36.7	4.87	42.7	5.78	45.7	6.42	48.6	7.03	54.6	8.33	58.7	9.19
	21	30.8	4.09	36.7	4.91	42.7	5.98	45.7	6.63	48.6	7.27	54.6	8.61	58.4	9.39
	23	30.8	4.20	36.7	5.25	42.7	6.43	45.7	7.13	48.6	7.79	54.6	9.25	57.5	9.88
	25	30.8	4.46	36.7	5.59	42.7	6.84	45.7	7.61	48.6	8.33	54.6	9.89	56.7	10.28
	27	30.8	4.77	36.7	5.97	42.7	7.34	45.7	8.12	48.6	8.92	54.6	10.56	55.8	10.73
	29	30.8	5.05	36.7	6.38	42.7	7.85	45.7	8.68	48.6	9.52	54.0	11.06	55.1	11.16
	31	30.8	5.38	36.7	6.79	42.7	8.36	45.7	9.26	48.6	10.16	53.1	11.47	54.2	11.62
	33	30.8	5.72	36.7	7.23	42.7	8.92	45.7	9.85	48.6	10.80	52.4	11.93	53.5	12.04
	35	30.8	6.08	36.7	7.70	42.7	9.51	45.7	10.50	48.6	11.55	51.5	12.36	52.6	12.47
	37	30.8	6.48	36.7	8.20	42.7	10.12	44.9	10.88	48.6	12.36	50.6	12.81	51.8	12.77
	39	30.8	6.90	36.7	8.73	42.7	10.78	44.3	11.24	48.6	13.11	49.8	13.28	50.9	13.25
41	29.1	7.66	34.9	9.70	40.6	11.98	43.4	12.18	46.2	13.40	49.0	14.34	50.1	14.47	
43	27.5	7.99	33.1	10.11	39.5	12.63	42.6	12.95	45.3	13.92	48.2	14.71	49.3	14.87	
44	27.1	8.33	33.0	10.55	38.7	13.31	41.6	13.76	44.4	14.44	47.2	15.08	48.4	15.22	
46	26.1	10.2	32.3	12.9	37.8	13.8	40.6	13.9	43.3	15.1	46.1	15.8	47.3	16.0	
47	25.6	11.09	31.9	14.04	37.4	13.97	40.1	13.97	42.8	15.37	45.6	16.20	46.8	16.34	
50	23.4	10.89	28.6	13.78	33.4	14.73	35.8	15.13	38.2	16.41	40.7	17.31	42.1	17.09	
52	18.4	8.99	24.8	11.19	30.7	12.59	33.8	13.22	33.9	12.78	35.2	12.61	36.7	12.95	
80%	-5	27.4	2.82	32.6	3.48	38.0	4.33	40.6	4.76	43.1	5.21	48.6	6.18	53.8	6.62
	0	27.4	2.83	32.6	3.49	38.0	4.33	40.6	4.77	43.1	5.21	48.6	6.19	53.8	6.63
	4	27.4	2.84	32.6	3.50	38.0	4.35	40.6	4.79	43.1	5.23	48.6	6.21	53.8	6.66
	7	27.4	2.89	32.6	3.56	38.0	4.43	40.6	4.88	43.1	5.33	48.6	6.33	53.8	6.78
	10	27.4	3.37	32.6	4.03	38.0	4.74	40.6	5.11	43.2	5.47	48.6	6.25	53.8	7.25
	12	27.4	3.41	32.6	4.09	38.0	4.82	40.6	5.21	43.2	5.57	48.6	6.35	53.8	7.20
	14	27.4	3.48	32.6	4.18	38.0	4.91	40.6	5.29	43.2	5.67	48.6	6.46	53.8	7.36
	16	27.4	3.53	32.6	4.24	38.0	5.01	40.6	5.39	43.2	5.76	48.6	6.61	53.8	7.62
	18	27.4	3.60	32.6	4.33	38.0	5.12	40.6	5.50	43.2	5.87	48.6	6.76	53.8	8.15
	20	27.4	3.66	32.6	4.41	38.0	5.21	40.6	5.60	43.2	6.00	48.6	7.00	53.8	8.45
	21	27.4	3.70	32.6	4.44	38.0	5.25	40.6	5.67	43.2	6.14	48.6	7.26	53.8	9.05
	23	27.4	3.76	32.6	4.54	38.0	5.50	40.6	6.03	43.2	6.57	48.6	7.76	53.8	9.68
	25	27.4	3.88	32.6	4.82	38.0	5.88	40.6	6.45	43.2	7.01	48.6	8.31	53.8	10.33
	27	27.4	4.13	32.6	5.14	38.0	6.27	40.6	6.88	43.2	7.52	48.6	8.87	53.8	10.69
	29	27.4	4.39	32.6	5.47	38.0	6.68	40.6	7.33	43.1	8.02	48.6	9.47	53.8	11.08
	31	27.4	4.66	32.6	5.82	38.0	7.11	40.6	7.81	43.1	8.55	48.6	10.10	52.9	11.48
	33	27.4	4.96	32.6	6.48	38.0	7.58	40.6	8.32	43.1	9.10	48.6	10.78	52.2	11.90
	35	27.4	5.25	32.6	6.48	38.0	8.06	40.6	8.87	43.1	9.69	48.6	11.51	51.3	12.33
	37	27.4	5.57	32.6	6.98	38.0	8.57	39.9	9.44	43.1	10.32	48.6	12.25	50.6	12.78
	39	27.4	5.90	32.6	7.41	38.0	9.12	39.3	10.06	43.1	10.99	48.6	13.05	49.7	13.26
41	25.9	6.62	31.0	8.17	36.1	10.15	38.6	10.29	41.0	11.24	46.2	13.35	48.9	14.30	
43	24.5	6.90	30.1	8.52	35.2	10.69	37.9	10.94	40.1	11.67	45.3	13.69	48.1	14.67	
44	24.1	7.20	29.4	8.88	34.4	11.28	36.9	11.62	39.3	12.12	44.5	14.04	47.2	15.04	
46	23.2	8.8	28.7	10.8	33.6	11.7	36.1	11.7	38.4	12.6	43.5	14.7	46.2	15.8	
47	22.7	9.58	28.4	11.82	33.2	11.84	35.6	11.79	37.9	12.89	43.0	15.07	45.7	16.15	
50	20.8	9.41	25.4	11.60	29.7	12.49	31.8	12.77	33.8	13.76	38.4	16.11	41.0	16.89	
52	16.4	7.58	22.0	9.44	27.3	10.62	30.0	11.15	30.2	10.79	30.9	10.64	32.6	10.93	

Combination	Outdoor air temp (°C DB)	Indoor air temp													
		14.0°C WB		17.0°C WB		18.0°C WB		19.0°C WB		20.0°C WB		22.0°C WB		24.0°C WB	
		20.0°C DB		24.0°C DB		26.0°C DB		27.0°C DB		28.0°C DB		30.0°C DB		32.0°C DB	
		TC	PI	TC	PI	TC	PI	TC	PI	TC	PI	TC	PI	TC	PI
		kW	kW	kW	kW	kW	kW	kW	kW	kW	kW	kW	kW	kW	
70%	-5	24.0	2.40	28.5	2.97	33.2	3.61	35.5	3.95	37.9	4.31	42.4	5.07	47.1	5.90
	0	24.0	2.41	28.5	2.98	33.2	3.61	35.5	3.96	37.9	4.32	42.4	5.08	47.1	5.91
	4	24.0	2.42	28.5	2.99	33.2	3.63	35.5	3.97	37.9	4.33	42.4	5.10	47.1	5.93
	7	24.0	2.46	28.5	3.05	33.2	3.69	35.5	4.05	37.9	4.41	42.4	5.20	47.1	6.04
	10	24.0	2.97	28.5	3.51	33.2	4.09	35.5	4.41	37.8	4.72	42.5	5.37	47.1	6.03
	12	24.0	3.00	28.5	3.56	33.2	4.18	35.5	4.49	37.8	4.81	42.5	5.47	47.1	6.15
	14	24.0	3.05	28.5	3.63	33.2	4.24	35.5	4.56	37.8	4.89	42.5	5.57	47.1	6.27
	16	24.0	3.10	28.5	3.70	33.2	4.33	35.5	4.66	37.8	4.99	42.5	5.67	47.1	6.38
	18	24.0	3.15	28.5	3.76	33.2	4.41	35.5	4.74	37.8	5.07	42.5	5.79	47.1	6.51
	20	24.0	3.20	28.5	3.83	33.2	4.49	35.5	4.82	37.8	5.17	42.5	5.90	47.1	6.70
	21	24.0	3.23	28.5	3.86	33.2	4.53	35.5	4.87	37.8	5.22	42.5	5.97	47.1	6.93
	23	24.0	3.28	28.5	3.93	33.2	4.62	35.5	5.04	37.8	5.49	42.5	6.42	47.1	7.43
	25	24.0	3.35	28.5	4.09	33.2	4.92	35.5	5.39	37.8	5.85	42.5	6.86	47.1	7.94
	27	24.0	3.55	28.5	4.36	33.2	5.25	35.5	5.74	37.8	6.25	42.5	7.33	47.1	8.49
	29	24.0	3.76	28.5	4.62	33.2	5.59	35.5	6.12	37.8	6.65	42.5	7.81	47.1	9.07
	31	24.0	3.98	28.5	4.91	33.2	5.95	35.5	6.50	37.8	7.08	42.5	8.32	47.1	9.66
	33	24.0	4.23	28.5	5.22	33.2	6.33	35.5	6.91	37.8	7.54	42.5	8.87	47.1	10.31
	35	24.0	4.48	28.5	5.54	33.2	6.71	35.5	7.36	37.8	8.02	42.5	9.45	47.1	10.99
	37	24.0	4.72	28.5	5.87	33.2	7.14	34.9	7.82	37.8	8.54	42.5	10.06	47.1	11.70
	39	24.0	5.01	28.5	6.22	33.2	7.58	34.4	8.31	37.8	9.07	42.5	10.69	47.1	12.47
41	22.7	5.64	27.1	6.98	31.6	8.46	33.8	8.54	36.0	9.31	40.5	10.96	44.9	12.75	
43	21.4	5.88	26.3	7.28	30.5	8.91	33.1	9.08	34.2	9.66	39.7	11.24	43.7	13.07	
44	21.1	6.13	25.7	7.59	30.1	9.40	32.3	9.64	34.5	10.03	38.9	11.53	43.4	13.41	
46	20.3	7.5	25.1	9.3	29.4	9.7	31.6	9.7	33.7	10.5	38.0	12.1	42.4	14.1	
47	19.9	8.16	24.8	10.09	29.1	9.87	31.2	9.79	33.3	10.67	37.6	12.38	41.9	14.40	
50	18.2	8.01	22.3	9.91	26.0	10.41	27.8	10.60	29.7	11.39	33.6	13.23	37.7	15.06	
52	14.3	6.29	19.3	7.84	23.9	8.74	26.3	9.26	26.4	8.95	27.0	8.83	28.5	9.07	
60%	-5	20.6	2.02	24.5	2.47	28.5	2.96	30.5	3.22	32.4	3.50	36.4	4.09	40.4	4.72
	0	20.6	2.02	24.5	2.47	28.5	2.96	30.5	3.23	32.4	3.50	36.4	4.09	40.4	4.73
	4	20.6	2.03	24.5	2.48	28.5	2.97	30.5	3.24	32.4	3.52	36.4	4.11	40.4	4.74
	7	20.6	2.07	24.5	2.53	28.5	3.03	30.5	3.30	32.4	3.58	36.4	4.18	40.4	4.83
	10	20.6	2.57	24.5	3.02	28.5	3.50	30.5	3.75	32.4	4.00	36.4	4.53	40.4	5.07
	12	20.6	2.62	24.5	3.07	28.5	3.56	30.5	3.81	32.4	4.06	36.4	4.61	40.4	5.16
	14	20.6	2.65	24.5	3.12	28.5	3.61	30.5	3.88	32.4	4.14	36.4	4.69	40.4	5.25
	16	20.6	2.69	24.5	3.17	28.5	3.68	30.5	3.95	32.4	4.21	36.4	4.77	40.4	5.35
	18	20.6	2.74	24.5	3.22	28.5	3.75	30.5	4.01	32.4	4.29	36.4	4.86	40.4	5.45
	20	20.6	2.77	24.5	3.28	28.5	3.81	30.5	4.09	32.4	4.38	36.4	4.96	40.4	5.57
	21	20.6	2.80	24.5	3.30	28.5	3.85	30.5	4.13	32.4	4.41	36.4	5.01	40.4	5.62
	23	20.6	2.83	24.5	3.37	28.5	3.91	30.5	4.21	32.4	4.49	36.4	5.21	40.4	5.98
	25	20.6	2.88	24.5	3.43	28.5	4.06	30.5	4.41	32.4	4.77	36.4	5.55	40.4	6.38
	27	20.6	3.00	24.5	3.63	28.5	4.33	30.5	4.71	32.4	5.09	36.4	5.92	40.4	6.81
	29	20.6	3.17	24.5	3.85	28.5	4.61	30.5	5.01	32.4	5.42	36.4	6.32	40.4	7.28
	31	20.6	3.37	24.5	4.09	28.5	4.89	30.5	5.32	32.4	5.77	36.4	6.71	40.4	7.74
	33	20.6	3.55	24.5	4.33	28.5	5.19	30.5	5.65	32.4	6.13	36.4	7.14	40.4	8.26
	35	20.6	3.76	24.5	4.59	28.5	5.50	30.5	6.00	32.4	6.51	36.4	7.61	40.4	8.79
	37	20.6	3.98	24.5	4.86	28.5	5.84	29.9	6.37	32.4	6.91	36.4	8.09	40.4	9.35
	39	20.6	4.19	24.5	5.14	28.5	6.18	29.5	6.75	32.4	7.34	36.4	8.59	40.4	9.95
41	19.4	4.74	23.2	5.79	27.1	6.93	28.9	6.96	30.8	7.56	34.7	8.83	38.5	10.19	
43	18.4	4.94	22.1	6.03	26.3	7.31	28.4	7.40	29.9	7.84	34.3	9.05	37.7	10.46	
44	18.1	5.16	22.0	6.29	25.8	7.70	27.7	7.86	29.6	8.14	33.4	9.28	37.2	10.72	
46	17.4	6.3	21.5	7.7	25.2	8.0	27.1	7.9	28.9	8.5	32.6	9.7	36.4	11.2	
47	17.1	6.86	21.3	8.37	24.9	8.09	26.7	7.98	28.5	8.66	32.2	9.97	36.0	11.51	
50	15.6	6.74	19.1	8.22	22.3	8.53	23.8	8.64	25.4	9.25	28.8	10.65	32.3	12.04	
52	12.3	5.13	16.5	6.39	20.4	7.19	22.5	7.55	22.6	7.30	23.2	7.20	24.5	7.39	

GMV6 DC Inverter VRF Units Technical Sales Guide

Combination	Outdoor air temp (°C DB)	Indoor air temp													
		14.0°C WB		17.0°C WB		18.0°C WB		19.0°C WB		20.0°C WB		22.0°C WB		24.0°C WB	
		20.0°C DB		24.0°C DB		26.0°C DB		27.0°C DB		28.0°C DB		30.0°C DB		32.0°C DB	
		TC	PI	TC	PI	TC	PI	TC	PI	TC	PI	TC	PI	TC	PI
	kW	kW	kW	kW	kW	kW	kW	kW	kW	kW	kW	kW	kW	kW	
50%	-5	17.1	1.67	20.4	2.00	23.7	2.37	25.4	2.56	27.0	2.77	30.4	3.20	33.7	3.67
	0	17.1	1.68	20.4	2.01	23.7	2.37	25.4	2.57	27.0	2.77	30.4	3.21	33.7	3.67
	4	17.1	1.68	20.4	2.01	23.7	2.38	25.4	2.58	27.0	2.78	30.4	3.22	33.7	3.69
	7	17.1	1.71	20.4	2.05	23.7	2.43	25.4	2.63	27.0	2.84	30.4	3.28	33.7	3.76
	10	17.1	2.22	20.4	2.57	23.7	2.93	25.4	3.13	27.0	3.32	30.4	3.73	33.7	4.16
	12	17.1	2.24	20.4	2.60	23.7	2.98	25.4	3.17	27.0	3.38	30.4	3.80	33.7	4.23
	14	17.1	2.27	20.4	2.64	23.7	3.02	25.4	3.23	27.0	3.43	30.4	3.86	33.7	4.31
	16	17.1	2.30	20.4	2.67	23.7	3.07	25.4	3.28	27.0	3.48	30.4	3.93	33.7	4.38
	18	17.1	2.34	20.4	2.72	23.7	3.12	25.4	3.33	27.0	3.55	30.4	4.00	33.7	4.46
	20	17.1	2.37	20.4	2.75	23.7	3.17	25.4	3.40	27.0	3.61	30.4	4.08	33.7	4.54
	21	17.1	2.39	20.4	2.78	23.7	3.20	25.4	3.41	27.0	3.65	30.4	4.11	33.7	4.59
	23	17.1	2.42	20.4	2.82	23.7	3.25	25.4	3.48	27.0	3.71	30.4	4.18	33.7	4.69
	25	17.1	2.45	20.4	2.87	23.7	3.32	25.4	3.55	27.0	3.83	30.4	4.39	33.7	5.01
	27	17.1	2.50	20.4	2.98	23.7	3.50	25.4	3.78	27.0	4.06	30.4	4.67	33.7	5.34
	29	17.1	2.64	20.4	3.15	23.7	3.71	25.4	4.01	26.9	4.33	30.4	4.97	33.7	5.69
	31	17.1	2.78	20.4	3.33	23.7	3.96	25.4	4.26	26.9	4.59	30.4	5.29	33.7	6.05
	33	17.1	2.95	20.4	3.53	23.7	4.18	25.4	4.51	26.9	4.87	30.4	5.62	33.7	6.43
	35	17.1	3.12	20.4	3.73	23.7	4.41	25.4	4.77	26.9	5.16	30.4	5.97	33.7	6.83
	37	17.1	3.28	20.4	3.95	23.7	4.67	24.9	5.06	26.9	5.47	30.4	6.33	33.7	7.26
	39	17.1	3.46	20.4	4.16	23.7	4.94	24.6	5.35	26.9	5.80	30.4	6.71	33.7	7.71
41	16.2	3.93	19.4	4.70	22.6	5.56	24.1	5.54	25.6	5.98	28.9	6.92	32.1	7.92	
43	15.3	4.10	18.4	4.93	21.9	5.85	23.7	5.93	25.2	6.21	28.1	7.10	31.4	8.13	
44	15.1	4.27	18.4	5.11	21.5	6.17	23.1	6.25	24.6	6.44	27.8	7.28	31.0	8.33	
46	14.5	5.2	17.9	6.2	21.0	6.4	22.6	6.3	24.0	6.7	27.2	7.6	30.3	8.7	
47	14.2	5.68	17.7	6.80	20.8	6.48	22.3	6.35	23.7	6.86	26.9	7.82	30.0	8.95	
50	13.0	5.58	15.9	6.68	18.5	6.83	19.9	6.87	21.1	7.32	24.0	8.35	27.0	9.36	
52	10.2	4.08	13.8	5.08	17.0	5.72	18.8	6.00	18.9	5.81	19.3	5.73	20.4	5.88	

GMV-560WM/G-X

TC—Total capacity of outdoor unit; PI—Power input of outdoor unit

Combination	Outdoor air temp (°CDB)	Indoor air temp													
		14.0°C WB		17.0°C WB		18.0°C WB		19.0°C WB		20.0°C WB		22.0°C WB		24.0°C WB	
		20.0°C DB		24.0°C DB		26.0°C DB		27.0°C DB		28.0°C DB		30.0°C DB		32.0°C DB	
		TC	PI	TC	PI	TC	PI	TC	PI	TC	PI	TC	PI	TC	PI
		kW	kW	kW	kW	kW	kW	kW	kW	kW	kW	kW	kW	kW	kW
135%	-5	49.5	6.13	59.0	7.46	70.0	7.55	71.1	7.56	72.4	7.63	76.7	7.72	76.1	7.80
	0	49.5	6.14	59.0	7.47	70.0	7.56	71.1	7.57	72.4	7.64	76.7	7.73	76.1	7.81
	4	49.5	6.16	59.0	7.50	70.0	7.59	71.1	7.60	72.4	7.67	76.7	7.76	76.1	7.84
	7	49.5	6.27	59.0	7.64	70.0	7.73	71.1	7.74	72.4	7.81	76.0	7.91	76.1	7.99
	10	49.5	6.39	59.0	7.80	70.0	9.28	71.1	9.45	71.9	9.30	73.7	8.91	75.5	8.50
	12	49.5	6.50	59.0	7.95	70.0	9.47	70.1	9.39	71.1	9.24	72.7	8.83	74.5	8.70
	14	49.5	6.63	59.0	8.10	69.8	9.58	69.3	9.36	70.1	9.19	71.9	8.11	73.7	9.20
	16	49.5	6.74	59.0	8.27	69.0	9.54	68.3	9.43	69.1	9.50	70.9	9.60	72.7	9.69
	18	49.5	6.87	59.0	8.44	68.0	9.90	67.3	9.91	68.3	10.01	70.1	10.10	71.9	10.19
	20	49.5	7.02	59.0	8.98	66.9	10.38	66.5	10.40	67.3	10.49	69.1	10.59	70.9	10.70
	21	49.5	7.21	59.0	9.30	66.5	10.62	66.1	10.64	66.9	10.74	68.7	10.85	70.5	10.94
	23	49.5	7.73	59.0	9.97	65.7	11.11	65.1	11.12	65.9	11.22	67.7	11.33	69.5	11.45
	25	49.5	8.25	59.0	10.68	64.7	11.59	64.2	11.61	65.1	11.73	66.9	11.84	68.7	11.95
	27	49.5	8.81	59.0	11.43	63.9	10.21	63.2	12.11	64.0	12.21	65.9	12.34	67.7	12.47
	29	49.5	9.41	59.0	12.21	62.8	12.57	62.2	12.59	63.2	12.71	65.1	12.85	66.9	12.98
	31	49.5	10.04	58.8	12.92	61.8	13.07	61.4	13.09	62.2	13.20	64.0	13.35	65.9	13.50
	33	49.5	10.70	57.8	13.41	61.0	13.54	60.4	13.58	61.4	13.70	63.2	13.85	64.9	14.02
	35	49.5	11.41	56.8	13.89	59.9	14.06	59.6	14.08	60.4	14.21	62.2	14.38	64.0	14.53
	37	49.5	12.14	56.0	14.40	59.1	14.56	59.7	14.58	59.7	14.73	61.2	14.90	63.0	15.07
	39	49.5	12.92	55.0	14.88	58.1	15.05	59.7	15.08	60.2	15.24	60.4	15.40	62.2	15.59
	41	49.5	14.37	56.8	17.50	59.9	17.71	59.6	16.33	59.8	16.48	60.1	16.68	61.0	16.85
	43	49.5	14.99	58.7	18.24	60.2	18.68	59.6	17.36	59.4	17.11	60.3	17.09	59.8	17.27
	44	48.0	15.63	55.8	19.03	57.7	19.68	58.5	17.05	59.4	17.76	59.9	17.54	60.2	17.72
46	45.5	20.2	53.4	22.7	56.2	20.3	56.6	18.2	57.8	18.5	58.3	18.4	58.9	18.6	
47	44.3	22.52	52.3	24.53	55.5	20.67	55.6	18.73	57.0	18.90	57.6	18.83	58.3	19.03	
50	37.7	21.85	45.7	24.17	49.4	21.79	50.5	20.27	52.3	20.18	54.3	20.13	55.5	19.90	
52	24.1	13.14	32.4	16.35	40.0	18.40	44.1	19.32	44.3	18.69	45.3	18.43	47.9	18.93	
120%	-5	45.7	5.45	54.4	7.06	64.7	7.50	67.7	7.51	71.2	7.58	75.2	7.66	74.4	7.74
	0	45.7	5.46	54.4	7.07	64.7	7.51	67.7	7.52	71.2	7.59	75.2	7.67	74.4	7.75
	4	45.7	5.48	54.4	7.10	64.7	7.54	67.7	7.55	71.2	7.62	75.2	7.70	74.4	7.78
	7	45.7	5.59	54.4	7.23	64.7	7.68	67.7	7.69	71.2	7.76	74.5	7.85	74.4	7.93
	10	45.7	5.83	54.4	7.11	64.7	8.46	67.7	9.11	70.9	9.54	72.5	9.17	74.1	8.81
	12	45.7	5.94	54.4	7.24	64.7	8.63	67.7	9.28	69.9	9.48	71.5	9.13	73.1	8.76
	14	45.7	6.05	54.4	7.39	64.7	8.79	67.7	9.47	68.9	9.43	70.7	9.07	72.3	9.13
	16	45.7	6.16	54.4	7.54	64.7	8.96	67.3	9.54	68.1	9.45	69.7	9.54	71.3	9.62
	18	45.7	6.27	54.4	7.69	64.7	9.28	66.3	9.86	67.1	9.93	68.7	10.03	70.5	10.12
	20	45.7	6.40	54.4	7.99	64.7	9.97	65.5	10.34	66.3	10.42	67.9	10.51	69.5	10.60
	21	45.7	6.46	54.4	8.27	64.7	10.32	64.9	10.58	65.7	10.66	67.5	10.75	69.1	10.87
	23	45.7	6.91	54.4	8.87	64.7	11.05	64.0	11.05	64.9	11.15	66.5	11.26	68.1	11.35
	25	45.7	7.37	54.4	9.48	63.6	11.54	63.0	11.53	63.8	11.63	65.7	11.74	67.3	11.86
	27	45.7	7.88	54.4	10.14	62.8	12.01	62.2	12.03	63.0	12.14	64.6	12.25	66.3	12.36
	29	45.7	8.40	54.4	10.83	61.8	12.49	61.2	12.52	62.0	12.62	63.6	12.75	65.5	12.86
	31	45.7	8.96	54.4	11.56	61.0	12.99	60.4	13.00	61.2	13.13	62.8	13.26	64.4	13.39
	33	45.7	9.54	54.4	12.34	59.9	13.48	59.4	13.50	60.2	13.61	61.8	13.76	63.4	13.89
	35	45.7	10.16	54.4	13.14	58.9	13.97	58.4	13.99	59.4	14.11	61.0	14.26	62.6	14.41
	37	45.7	10.81	54.4	14.00	58.1	14.47	58.6	14.49	58.5	14.62	60.0	14.77	61.6	14.94
	39	45.7	11.50	54.2	14.79	57.1	14.96	58.4	14.99	58.9	15.12	59.2	15.29	60.8	15.44
	41	45.7	12.80	54.4	16.56	58.9	17.60	58.4	16.22	58.8	16.37	59.0	16.55	59.7	16.72
	43	45.7	13.34	54.6	17.26	59.2	18.54	58.4	17.24	58.6	17.00	59.1	16.96	58.6	17.15
	44	44.3	13.91	53.4	18.01	56.7	19.55	57.4	16.94	58.4	17.64	58.8	17.40	58.9	17.58
46	42.0	18.0	51.2	21.5	55.3	20.2	55.4	18.0	56.8	18.4	57.2	18.3	57.6	18.4	
47	40.9	20.05	50.0	23.21	54.5	20.53	54.4	18.60	56.1	18.77	56.4	18.69	57.0	18.88	
50	34.8	19.45	43.7	22.87	48.6	21.65	49.4	20.14	51.4	20.04	53.3	19.97	54.2	19.75	
52	23.6	13.05	31.7	16.25	39.2	18.28	43.2	19.19	43.4	18.56	44.4	18.31	46.9	18.80	

GMV6 DC Inverter VRF Units Technical Sales Guide

Combination	Outdoor air temp (°CDB)	Indoor air temp													
		14.0°C WB		17.0°C WB		18.0°C WB		19.0°C WB		20.0°C WB		22.0°C WB		24.0°C WB	
		20.0°C DB		24.0°C DB		26.0°C DB		27.0°C DB		28.0°C DB		30.0°C DB		32.0°C DB	
		TC	PI	TC	PI	TC	PI	TC	PI	TC	PI	TC	PI	TC	PI
	kW	kW	kW	kW	kW	kW	kW	kW	kW	kW	kW	kW	kW	kW	
110%	-5	41.9	4.82	49.9	6.21	59.3	7.45	62.0	7.46	66.1	7.53	73.5	7.60	72.7	7.67
	0	41.9	4.83	49.9	6.22	59.3	7.46	62.0	7.47	66.1	7.54	73.5	7.61	72.7	7.68
	4	41.9	4.85	49.9	6.24	59.3	7.49	62.0	7.50	66.1	7.57	73.5	7.64	72.7	7.71
	7	41.9	4.94	49.9	6.36	59.3	7.63	62.0	7.64	66.1	7.71	72.9	7.78	72.7	7.86
	10	41.9	5.28	49.9	6.44	59.3	7.65	62.0	8.24	66.1	8.91	71.1	9.45	72.7	9.13
	12	41.9	5.40	49.9	6.57	59.3	7.80	62.0	8.41	66.1	9.07	70.3	9.41	71.7	9.07
	14	41.9	5.49	49.9	6.68	59.3	7.95	62.0	8.56	66.1	9.24	69.3	9.41	70.9	9.06
	16	41.9	5.58	49.9	6.81	59.3	8.10	62.0	8.72	66.1	9.43	68.5	9.47	69.9	9.56
	18	41.9	5.69	49.9	6.95	59.3	8.27	62.0	8.96	66.1	9.88	67.5	9.95	69.1	10.04
	20	41.9	5.81	49.9	7.09	59.3	8.76	62.0	9.63	65.1	10.36	66.7	10.44	68.1	10.53
	21	41.9	5.86	49.9	7.30	59.3	9.07	62.0	9.99	64.6	10.60	66.1	10.68	67.7	10.77
	23	41.9	6.14	49.9	7.82	59.3	9.73	62.0	10.71	63.6	11.07	65.3	11.18	66.7	11.28
	25	41.9	6.53	49.9	8.36	59.3	10.40	62.0	11.48	62.8	11.56	64.2	11.67	65.9	11.76
	27	41.9	6.98	49.9	8.94	59.3	11.13	61.0	11.96	61.8	12.04	63.4	12.15	64.9	12.27
	29	41.9	7.45	49.9	9.54	59.3	11.89	60.2	12.44	61.0	12.55	62.4	12.66	64.0	12.77
	31	41.9	7.94	49.9	10.18	59.3	12.70	59.2	12.93	60.0	13.03	61.6	13.14	63.0	13.27
	33	41.9	8.44	49.9	10.85	58.9	13.39	58.4	13.41	59.2	13.52	60.6	13.65	62.2	13.78
	35	41.9	8.98	49.9	11.56	58.1	13.87	57.4	13.89	58.2	14.02	59.6	14.15	61.2	14.28
	37	41.9	9.56	49.9	12.30	57.1	14.38	57.6	14.38	57.3	14.51	58.8	14.66	60.2	14.79
	39	41.9	10.16	49.9	13.11	56.0	14.86	57.4	14.88	57.9	15.01	57.8	15.16	59.4	15.31
41	41.9	11.32	49.9	14.56	58.1	17.48	57.4	16.12	57.6	16.27	57.6	16.42	58.3	16.57	
43	41.9	11.80	49.9	15.18	58.6	18.42	57.4	17.14	57.3	16.89	57.8	16.83	57.3	16.98	
44	40.6	12.30	49.1	15.83	55.9	19.42	56.4	16.82	57.2	17.53	57.4	17.27	57.6	17.43	
46	38.5	15.9	47.0	18.9	54.5	20.1	54.5	17.9	55.7	18.3	55.9	18.1	56.3	18.3	
47	37.4	17.73	46.0	20.41	53.8	20.39	53.5	18.48	54.9	18.65	55.1	18.54	55.7	18.71	
50	31.9	17.20	40.2	20.11	47.9	21.50	48.6	20.01	50.4	19.91	52.0	19.81	53.0	19.57	
52	23.2	12.96	31.2	16.14	38.5	18.16	42.4	19.07	42.6	18.44	43.7	18.19	46.1	18.68	
100%	-5	38.1	4.22	45.3	5.40	54.0	6.73	56.0	7.41	60.0	7.48	69.7	7.54	71.3	7.61
	0	38.1	4.22	45.3	5.41	54.0	6.75	56.0	7.42	60.0	7.49	69.7	7.56	71.3	7.63
	4	38.1	4.24	45.3	5.43	54.0	6.77	56.0	7.45	60.0	7.52	69.7	7.59	71.3	7.65
	7	38.1	4.32	45.3	5.53	54.0	6.90	56.0	7.59	60.0	7.66	69.1	7.73	71.3	7.80
	10	38.1	4.78	45.3	5.81	54.0	6.87	56.0	7.39	60.0	8.01	67.5	9.06	71.3	9.42
	12	38.1	4.84	45.3	5.88	54.0	6.96	56.0	7.48	60.0	8.16	67.5	9.22	70.3	9.34
	14	38.1	4.93	45.3	5.99	54.0	7.08	56.0	7.62	60.0	8.31	67.5	9.38	69.5	9.27
	16	38.1	5.04	45.3	6.12	54.0	7.24	56.0	7.79	60.0	8.50	67.2	9.59	68.5	9.48
	18	38.1	5.15	45.3	6.26	54.0	7.38	56.0	7.94	60.0	8.66	66.3	9.78	67.7	9.93
	20	38.1	5.23	45.3	6.35	54.0	7.62	56.0	8.36	60.0	9.22	65.2	10.29	66.7	10.45
	21	38.1	5.28	45.3	6.42	54.0	7.88	56.0	8.65	60.0	9.53	64.9	10.64	66.3	10.74
	23	38.1	5.42	45.3	6.86	54.0	8.48	56.0	9.30	60.0	10.25	64.1	11.26	65.2	11.36
	25	38.1	5.76	45.3	7.29	54.0	9.02	56.0	9.89	60.0	10.96	63.0	11.67	64.5	11.77
	27	38.1	6.16	45.3	7.79	54.0	9.67	56.0	10.61	60.0	11.76	62.0	12.08	63.4	12.19
	29	38.1	6.52	45.3	8.32	54.0	10.35	56.0	11.35	59.8	12.46	61.2	12.66	62.6	12.78
	31	38.1	6.94	45.3	8.87	54.0	11.03	56.0	12.23	59.1	12.97	59.8	13.18	61.6	13.30
	33	38.1	7.38	45.3	9.44	54.0	11.76	56.0	12.94	58.0	13.44	59.5	13.56	60.8	13.68
	35	38.1	7.85	45.3	10.06	54.0	12.54	56.0	13.80	57.0	13.92	58.4	14.05	59.8	14.17
	37	38.1	8.36	45.3	10.71	54.0	13.35	56.0	14.30	56.4	14.42	57.5	14.53	58.9	14.66
	39	38.1	8.91	45.3	11.40	54.0	14.22	56.0	14.77	56.4	14.90	56.8	15.01	57.5	15.14
41	38.1	9.89	45.3	12.67	54.0	15.80	56.0	16.01	56.4	16.15	56.4	16.30	57.0	16.44	
43	38.1	10.32	45.3	13.21	54.0	16.65	56.0	17.02	56.4	16.77	56.4	16.71	56.4	16.86	
44	36.9	10.76	44.5	13.78	52.0	17.55	55.4	16.71	56.0	17.40	56.2	17.14	56.2	17.29	
46	35.0	13.9	42.6	16.4	50.6	18.1	53.5	17.8	54.5	18.1	54.7	18.0	55.0	18.1	
47	34.0	15.50	41.7	17.76	49.9	18.43	52.6	18.35	53.8	18.52	54.0	18.40	54.4	18.57	
50	29.0	15.04	36.5	17.49	44.5	19.43	47.7	19.87	49.3	19.77	51.0	19.67	51.8	19.42	
52	22.8	11.80	30.6	14.69	37.9	16.53	41.7	17.36	41.9	16.78	42.9	16.56	45.3	17.00	

Combination	Outdoor air temp (°CDB)	Indoor air temp													
		14.0°C WB		17.0°C WB		18.0°C WB		19.0°C WB		20.0°C WB		22.0°C WB		24.0°C WB	
		20.0°C DB		24.0°C DB		26.0°C DB		27.0°C DB		28.0°C DB		30.0°C DB		32.0°C DB	
		TC	PI	TC	PI	TC	PI	TC	PI	TC	PI	TC	PI	TC	PI
		kW	kW	kW	kW	kW	kW	kW	kW	kW	kW	kW	kW	kW	
90%	-5	34.3	3.68	40.8	4.66	48.6	5.75	50.8	6.33	54.0	6.99	62.6	7.48	67.3	7.55
	0	34.3	3.69	40.8	4.67	48.6	5.76	50.8	6.34	54.0	7.00	62.6	7.49	67.3	7.56
	4	34.3	3.70	40.8	4.68	48.6	5.78	50.8	6.36	54.0	7.03	62.6	7.52	67.3	7.59
	7	34.3	3.77	40.8	4.77	48.6	5.89	50.8	6.48	54.0	7.16	62.1	7.66	67.3	7.73
	10	34.3	4.17	40.8	5.01	48.6	5.87	50.8	6.58	54.0	7.04	60.7	8.06	67.2	9.13
	12	34.3	4.23	40.8	5.07	48.6	5.94	50.8	6.67	54.0	7.17	60.7	8.20	67.2	9.25
	14	34.3	4.30	40.8	5.16	48.6	6.05	50.8	6.77	54.0	7.30	60.7	8.34	67.2	9.40
	16	34.3	4.39	40.8	5.28	48.6	6.18	50.8	6.92	54.0	7.46	60.7	8.53	67.0	9.59
	18	34.3	4.49	40.8	5.40	48.6	6.30	50.8	7.06	54.0	7.60	60.7	8.73	66.4	9.93
	20	34.3	4.56	40.8	5.48	48.6	6.51	50.8	7.20	54.0	7.92	60.7	9.38	65.3	10.35
	21	34.3	4.61	40.8	5.53	48.6	6.73	50.8	7.44	54.0	8.19	60.7	9.70	64.9	10.58
	23	34.3	4.73	40.8	5.91	48.6	7.24	50.8	8.00	54.0	8.77	60.7	10.42	63.8	11.12
	25	34.3	5.03	40.8	6.29	48.6	7.70	50.8	8.54	54.0	9.38	60.7	11.14	63.0	11.58
	27	34.3	5.37	40.8	6.72	48.6	8.26	50.8	9.11	54.0	10.04	60.7	11.89	62.0	12.08
	29	34.3	5.69	40.8	7.18	48.6	8.84	50.8	9.74	54.0	10.72	60.0	12.46	61.2	12.57
	31	34.3	6.05	40.8	7.65	48.6	9.42	50.8	10.39	54.0	11.44	59.0	12.91	60.2	13.08
	33	34.3	6.44	40.8	8.14	48.6	10.04	50.8	11.05	54.0	12.17	58.2	13.44	59.4	13.56
	35	34.3	6.85	40.8	8.67	48.6	10.71	50.8	11.79	54.0	13.01	57.2	13.93	58.4	14.05
	37	34.3	7.30	40.8	9.24	48.6	11.40	50.8	12.21	54.1	13.93	56.2	14.43	57.6	14.39
	39	34.3	7.77	40.8	9.84	48.6	12.14	50.8	12.61	55.5	14.76	55.4	14.96	56.6	14.92
41	34.3	8.63	40.8	10.93	48.6	13.49	50.8	13.67	53.4	15.10	55.3	16.15	55.7	16.30	
43	34.3	9.00	40.8	11.38	48.4	14.23	50.8	14.53	53.1	15.67	55.5	16.56	54.7	16.74	
44	33.2	9.39	40.1	11.88	46.8	14.99	49.8	14.27	53.1	16.27	55.1	16.99	54.9	17.14	
46	31.5	12.1	38.4	14.2	45.6	15.5	48.2	15.2	51.7	17.0	53.6	17.8	53.7	18.0	
47	30.6	13.53	37.5	15.32	45.0	15.74	47.3	15.67	51.0	17.31	52.9	18.24	53.1	18.41	
50	26.1	13.12	32.8	15.09	40.1	16.60	43.0	16.97	46.8	18.48	49.9	19.50	50.6	19.25	
52	20.5	11.00	27.6	13.70	34.1	15.41	37.5	16.18	37.7	15.65	39.1	15.44	40.8	15.85	
80%	-5	30.5	3.18	36.3	3.92	43.2	4.87	45.1	5.34	47.9	5.86	55.7	6.96	59.8	7.46
	0	30.5	3.18	36.3	3.93	43.2	4.88	45.1	5.35	47.9	5.87	55.7	6.97	59.8	7.47
	4	30.5	3.20	36.3	3.94	43.2	4.90	45.1	5.37	47.9	5.90	55.7	7.00	59.8	7.50
	7	30.5	3.26	36.3	4.02	43.2	4.99	45.1	5.47	47.9	6.00	55.3	7.13	59.8	7.64
	10	30.5	3.79	36.3	4.54	43.2	5.34	45.1	5.73	48.0	6.16	54.0	7.04	59.8	8.17
	12	30.5	3.85	36.3	4.61	43.2	5.43	45.1	5.84	48.0	6.28	54.0	7.16	59.8	8.10
	14	30.5	3.92	36.3	4.70	43.2	5.53	45.1	5.93	48.0	6.39	54.0	7.28	59.8	8.29
	16	30.5	3.98	36.3	4.78	43.2	5.64	45.1	6.04	48.0	6.49	54.0	7.44	59.8	8.59
	18	30.5	4.05	36.3	4.87	43.2	5.77	45.1	6.17	48.0	6.61	54.0	7.61	59.8	9.18
	20	30.5	4.13	36.3	4.97	43.2	5.86	45.1	6.29	48.0	6.76	54.0	7.89	59.8	9.52
	21	30.5	4.16	36.3	5.00	43.2	5.92	45.1	6.36	48.0	6.92	54.0	8.17	59.8	10.19
	23	30.5	4.24	36.3	5.12	43.2	6.20	45.1	6.77	48.0	7.40	54.0	8.74	59.8	10.90
	25	30.5	4.37	36.3	5.43	43.2	6.63	45.1	7.23	48.0	7.89	54.0	9.36	59.8	11.63
	27	30.5	4.65	36.3	5.79	43.2	7.06	45.1	7.72	48.0	8.47	54.0	9.99	59.8	12.04
	29	30.5	4.95	36.3	6.16	43.2	7.52	45.1	8.22	47.9	9.03	54.0	10.66	59.8	12.48
	31	30.5	5.25	36.3	6.55	43.2	8.01	45.1	8.76	47.9	9.63	54.0	11.38	58.8	12.93
	33	30.5	5.58	36.3	7.30	43.2	8.53	45.1	9.33	47.9	10.25	54.0	12.14	58.0	13.40
	35	30.5	5.92	36.3	7.30	43.2	9.07	45.1	9.95	47.9	10.92	54.0	12.96	57.0	13.88
	37	30.5	6.27	36.3	7.86	43.2	9.65	45.1	10.60	47.9	11.63	54.0	13.80	56.2	14.40
	39	30.5	6.65	36.3	8.35	43.2	10.27	45.1	11.29	49.1	12.38	54.0	14.70	55.2	14.93
41	30.5	7.46	36.3	9.20	43.2	11.43	45.1	11.54	47.3	12.66	52.1	15.03	54.3	16.11	
43	30.5	7.77	37.0	9.59	43.1	12.05	45.1	12.27	46.9	13.15	52.2	15.41	53.4	16.52	
44	29.5	8.11	35.6	10.00	41.6	12.70	44.3	12.05	47.0	13.65	51.9	15.81	53.6	16.94	
46	28.0	10.5	34.1	11.9	40.5	13.1	42.8	12.8	45.8	14.2	50.6	16.6	52.4	17.8	
47	27.2	11.69	33.4	12.89	40.0	13.34	42.1	13.23	45.1	14.52	49.9	16.98	51.8	18.19	
50	23.2	11.33	29.2	12.70	35.6	14.06	38.2	14.33	41.4	15.50	47.1	18.14	49.4	19.02	
52	18.2	9.28	24.5	11.56	30.3	13.01	33.4	13.66	33.5	13.21	34.3	13.03	36.3	13.38	

GMV6 DC Inverter VRF Units Technical Sales Guide

Combination	Outdoor air temp (°CDB)	Indoor air temp													
		14.0°C WB		17.0°C WB		18.0°C WB		19.0°C WB		20.0°C WB		22.0°C WB		24.0°C WB	
		20.0°C DB		24.0°C DB		26.0°C DB		27.0°C DB		28.0°C DB		30.0°C DB		32.0°C DB	
		TC	PI	TC	PI	TC	PI	TC	PI	TC	PI	TC	PI	TC	PI
	kW	kW	kW	kW	kW	kW	kW	kW	kW	kW	kW	kW	kW	kW	
70%	-5	26.6	2.71	31.7	3.35	37.8	4.06	39.5	4.43	42.1	4.85	48.7	5.71	52.4	6.65
	0	26.6	2.71	31.7	3.35	37.8	4.07	39.5	4.44	42.1	4.86	48.7	5.73	52.4	6.66
	4	26.6	2.72	31.7	3.37	37.8	4.08	39.5	4.46	42.1	4.88	48.7	5.75	52.4	6.68
	7	26.6	2.77	31.7	3.43	37.8	4.16	39.5	4.54	42.1	4.97	48.3	5.85	52.4	6.81
	10	26.6	3.34	31.7	3.96	37.8	4.61	39.5	4.95	42.0	5.32	47.2	6.05	52.4	6.80
	12	26.6	3.38	31.7	4.01	37.8	4.70	39.5	5.04	42.0	5.41	47.2	6.16	52.4	6.93
	14	26.6	3.44	31.7	4.09	37.8	4.78	39.5	5.11	42.0	5.51	47.2	6.27	52.4	7.06
	16	26.6	3.49	31.7	4.16	37.8	4.87	39.5	5.23	42.0	5.62	47.2	6.39	52.4	7.19
	18	26.6	3.55	31.7	4.24	37.8	4.97	39.5	5.32	42.0	5.71	47.2	6.52	52.4	7.34
	20	26.6	3.60	31.7	4.31	37.8	5.06	39.5	5.41	42.0	5.83	47.2	6.65	52.4	7.54
	21	26.6	3.64	31.7	4.35	37.8	5.10	39.5	5.47	42.0	5.88	47.2	6.72	52.4	7.80
	23	26.6	3.70	31.7	4.42	37.8	5.21	39.5	5.65	42.0	6.18	47.2	7.23	52.4	8.36
	25	26.6	3.77	31.7	4.61	37.8	5.55	39.5	6.04	42.0	6.59	47.2	7.73	52.4	8.94
	27	26.6	4.00	31.7	4.91	37.8	5.92	39.5	6.44	42.0	7.04	47.2	8.25	52.4	9.56
	29	26.6	4.24	31.7	5.21	37.8	6.29	39.5	6.86	42.0	7.49	47.2	8.79	52.4	10.21
	31	26.6	4.48	31.7	5.53	37.8	6.70	39.5	7.29	42.0	7.97	47.2	9.37	52.4	10.88
	33	26.6	4.76	31.7	5.88	37.8	7.13	39.5	7.76	42.0	8.50	47.2	9.99	52.4	11.61
	35	26.6	5.04	31.7	6.24	37.8	7.56	39.5	8.26	42.0	9.04	47.2	10.64	52.4	12.38
	37	26.6	5.32	31.7	6.61	37.8	8.05	39.5	8.78	42.1	9.62	47.2	11.33	52.4	13.18
	39	26.6	5.64	31.7	7.00	37.8	8.53	39.5	9.32	43.1	10.21	47.2	12.04	52.4	14.04
41	26.6	6.35	31.7	7.86	37.8	9.53	39.5	9.58	41.6	10.48	45.6	12.35	49.9	14.36	
43	26.6	6.62	32.4	8.19	37.3	10.04	39.5	10.18	40.1	10.88	45.7	12.65	48.5	14.73	
44	25.8	6.91	31.2	8.54	36.4	10.59	38.8	10.00	41.3	11.30	45.5	12.98	49.2	15.10	
46	24.5	8.9	29.8	10.2	35.4	10.9	37.5	10.7	40.2	11.8	44.3	13.6	48.2	15.8	
47	23.8	9.95	29.2	11.01	35.0	11.12	36.8	10.98	39.6	12.02	43.7	13.94	47.6	16.22	
50	20.3	9.65	25.5	10.85	31.2	11.72	33.4	11.89	36.4	12.83	41.2	14.90	45.3	16.96	
52	15.9	7.71	21.4	9.59	26.5	10.70	29.2	11.33	29.3	10.96	30.0	10.81	31.7	11.10	
60%	-5	22.8	2.28	27.2	2.78	32.4	3.33	33.8	3.62	36.1	3.94	41.8	4.60	44.9	5.31
	0	22.8	2.28	27.2	2.78	32.4	3.33	33.8	3.62	36.1	3.95	41.8	4.61	44.9	5.32
	4	22.8	2.29	27.2	2.79	32.4	3.35	33.8	3.64	36.1	3.96	41.8	4.63	44.9	5.34
	7	22.8	2.33	27.2	2.84	32.4	3.41	33.8	3.70	36.1	4.04	41.4	4.71	44.9	5.44
	10	22.8	2.89	27.2	3.40	32.4	3.94	33.8	4.20	36.0	4.50	40.5	5.10	44.9	5.71
	12	22.8	2.95	27.2	3.45	32.4	4.01	33.8	4.28	36.0	4.57	40.5	5.19	44.9	5.81
	14	22.8	2.99	27.2	3.51	32.4	4.07	33.8	4.35	36.0	4.67	40.5	5.28	44.9	5.92
	16	22.8	3.02	27.2	3.57	32.4	4.14	33.8	4.43	36.0	4.74	40.5	5.38	44.9	6.03
	18	22.8	3.08	27.2	3.62	32.4	4.22	33.8	4.50	36.0	4.84	40.5	5.47	44.9	6.14
	20	22.8	3.12	27.2	3.70	32.4	4.29	33.8	4.59	36.0	4.93	40.5	5.58	44.9	6.27
	21	22.8	3.16	27.2	3.72	32.4	4.33	33.8	4.63	36.0	4.97	40.5	5.64	44.9	6.33
	23	22.8	3.19	27.2	3.79	32.4	4.41	33.8	4.72	36.0	5.06	40.5	5.86	44.9	6.74
	25	22.8	3.25	27.2	3.86	32.4	4.57	33.8	4.95	36.0	5.38	40.5	6.25	44.9	7.19
	27	22.8	3.38	27.2	4.09	32.4	4.87	33.8	5.28	36.0	5.73	40.5	6.67	44.9	7.67
	29	22.8	3.57	27.2	4.33	32.4	5.19	33.8	5.62	36.0	6.11	40.5	7.11	44.9	8.20
	31	22.8	3.79	27.2	4.61	32.4	5.51	33.8	5.97	36.0	6.50	40.5	7.56	44.9	8.72
	33	22.8	4.00	27.2	4.87	32.4	5.84	33.8	6.34	36.0	6.91	40.5	8.05	44.9	9.30
	35	22.8	4.24	27.2	5.17	32.4	6.20	33.8	6.73	36.0	7.34	40.5	8.57	44.9	9.90
	37	22.8	4.48	27.2	5.47	32.4	6.57	33.8	7.14	36.1	7.79	40.5	9.11	44.9	10.53
	39	22.8	4.72	27.2	5.79	32.4	6.96	33.8	7.57	37.0	8.27	40.5	9.67	44.9	11.20
41	22.8	5.34	27.2	6.52	32.4	7.81	33.8	7.81	35.6	8.51	39.1	9.94	42.8	11.48	
43	22.8	5.57	27.2	6.79	32.2	8.23	33.8	8.30	35.0	8.84	39.5	10.19	41.9	11.78	
44	22.1	5.81	26.7	7.09	31.2	8.68	33.2	8.15	35.4	9.17	39.0	10.46	42.2	12.07	
46	21.0	7.5	25.6	8.5	30.4	9.0	32.1	8.7	34.4	9.6	37.9	11.0	41.3	12.7	
47	20.4	8.37	25.0	9.13	30.0	9.11	31.5	8.95	34.0	9.76	37.4	11.23	40.9	12.96	
50	17.4	8.12	21.9	9.00	26.7	9.61	28.6	9.69	31.2	10.42	35.3	12.00	38.9	13.56	
52	13.7	6.28	18.4	7.82	22.7	8.80	25.0	9.24	25.1	8.94	25.7	8.81	27.2	9.05	

Combination	Outdoor air temp (°CDB)	Indoor air temp													
		14.0°C WB		17.0°C WB		18.0°C WB		19.0°C WB		20.0°C WB		22.0°C WB		24.0°C WB	
		20.0°C DB		24.0°C DB		26.0°C DB		27.0°C DB		28.0°C DB		30.0°C DB		32.0°C DB	
		TC	PI	TC	PI	TC	PI	TC	PI	TC	PI	TC	PI	TC	PI
		kW	kW	kW	kW	kW	kW	kW	kW	kW	kW	kW	kW	kW	kW
50%	-5	19.0	1.88	22.7	2.26	27.0	2.67	28.2	2.88	30.0	3.12	34.8	3.61	37.5	4.13
	0	19.0	1.89	22.7	2.26	27.0	2.67	28.2	2.88	30.0	3.12	34.8	3.62	37.5	4.14
	4	19.0	1.90	22.7	2.27	27.0	2.68	28.2	2.89	30.0	3.14	34.8	3.63	37.5	4.15
	7	19.0	1.93	22.7	2.31	27.0	2.73	28.2	2.95	30.0	3.19	34.5	3.70	37.5	4.23
	10	19.0	2.50	22.7	2.89	27.0	3.30	28.2	3.52	30.0	3.73	33.7	4.20	37.5	4.69
	12	19.0	2.52	22.7	2.93	27.0	3.36	28.2	3.55	30.0	3.81	33.7	4.28	37.5	4.76
	14	19.0	2.56	22.7	2.97	27.0	3.40	28.2	3.63	30.0	3.86	33.7	4.35	37.5	4.85
	16	19.0	2.60	22.7	3.01	27.0	3.45	28.2	3.68	30.0	3.92	33.7	4.42	37.5	4.93
	18	19.0	2.63	22.7	3.06	27.0	3.51	28.2	3.74	30.0	4.00	33.7	4.50	37.5	5.02
	20	19.0	2.67	22.7	3.10	27.0	3.57	28.2	3.81	30.0	4.07	33.7	4.59	37.5	5.12
	21	19.0	2.69	22.7	3.14	27.0	3.60	28.2	3.83	30.0	4.11	33.7	4.63	37.5	5.17
	23	19.0	2.73	22.7	3.17	27.0	3.66	28.2	3.91	30.0	4.18	33.7	4.70	37.5	5.28
	25	19.0	2.76	22.7	3.23	27.0	3.73	28.2	3.98	30.0	4.31	33.7	4.95	37.5	5.64
	27	19.0	2.82	22.7	3.36	27.0	3.94	28.2	4.24	30.0	4.57	33.7	5.27	37.5	6.01
	29	19.0	2.97	22.7	3.55	27.0	4.18	28.2	4.50	29.9	4.87	33.7	5.60	37.5	6.40
	31	19.0	3.14	22.7	3.75	27.0	4.46	28.2	4.78	29.9	5.17	33.7	5.96	37.5	6.81
	33	19.0	3.32	22.7	3.98	27.0	4.70	28.2	5.06	29.9	5.49	33.7	6.33	37.5	7.24
	35	19.0	3.51	22.7	4.20	27.0	4.97	28.2	5.36	29.9	5.81	33.7	6.72	37.5	7.69
	37	19.0	3.70	22.7	4.44	27.0	5.27	28.2	5.67	30.0	6.16	33.7	7.13	37.5	8.18
	39	19.0	3.90	22.7	4.69	27.0	5.56	28.2	6.01	30.7	6.53	33.7	7.56	37.5	8.68
41	19.0	4.42	22.7	5.29	27.0	6.26	28.2	6.21	29.6	6.74	32.6	7.80	35.7	8.92	
43	19.0	4.62	22.7	5.55	26.9	6.59	28.2	6.66	29.5	7.00	32.4	8.00	34.8	9.15	
44	18.4	4.81	22.3	5.76	26.0	6.95	27.7	6.49	29.4	7.26	32.5	8.20	35.2	9.38	
46	17.5	6.2	21.3	6.9	25.3	7.2	26.8	6.9	28.6	7.6	31.6	8.6	34.5	9.8	
47	17.0	6.93	20.8	7.42	25.0	7.30	26.3	7.12	28.2	7.72	31.2	8.81	34.1	10.08	
50	14.5	6.72	18.2	7.31	22.3	7.70	23.9	7.71	25.9	8.25	29.4	9.41	32.4	10.54	
52	11.4	5.00	15.3	6.22	18.9	7.00	20.8	7.35	20.9	7.11	21.4	7.01	22.7	7.20	

GMV6 DC Inverter VRF Units Technical Sales Guide

GMV-615WM/G-X

TC—Total capacity of outdoor unit; PI—Power input of outdoor unit

Combination	Outdoor air temp (°CDB)	Indoor air temp													
		14.0°C WB		17.0°C WB		18.0°C WB		19.0°C WB		20.0°C WB		22.0°C WB		24.0°C WB	
		20.0°C DB		24.0°C DB		26.0°C DB		27.0°C DB		28.0°C DB		30.0°C DB		32.0°C DB	
		TC	PI	TC	PI	TC	PI	TC	PI	TC	PI	TC	PI	TC	PI
		kW	kW	kW	kW	kW	kW	kW	kW	kW	kW	kW	kW	kW	kW
135%	-5	54.4	7.16	64.8	8.72	75.2	8.83	78.1	8.88	79.5	8.92	81.5	9.03	83.6	9.12
	0	54.4	7.18	64.8	8.74	75.2	8.84	78.1	8.89	79.5	8.94	81.5	9.04	83.6	9.14
	4	54.4	7.20	64.8	8.77	75.2	8.88	78.1	8.92	79.5	8.97	81.5	9.08	83.6	9.17
	7	54.4	7.34	64.8	8.93	75.2	9.04	78.1	9.09	79.5	9.14	81.5	9.25	83.6	9.34
	10	54.4	7.47	64.8	9.13	75.2	10.85	78.1	11.09	79.5	10.87	81.0	10.41	82.9	9.93
	12	54.4	7.60	64.8	9.30	75.2	11.07	77.0	11.03	78.1	10.81	79.8	10.33	81.8	10.17
	14	54.4	7.75	64.8	9.48	75.0	11.20	76.1	10.98	77.0	10.74	79.0	10.65	81.0	10.76
	16	54.4	7.88	64.8	9.67	74.1	11.16	75.0	11.07	75.9	11.11	77.9	11.22	79.8	11.33
	18	54.4	8.03	64.8	9.87	73.0	11.57	73.9	11.64	75.0	11.70	77.0	11.81	79.0	11.92
	20	54.4	8.21	64.8	10.50	71.9	12.14	73.0	12.20	73.9	12.27	75.9	12.38	77.9	12.51
	21	54.4	8.43	64.8	10.87	71.4	12.42	72.5	12.49	73.4	12.55	75.4	12.68	77.4	12.79
	23	54.4	9.04	64.8	11.66	70.6	12.99	71.4	13.06	72.3	13.12	74.3	13.25	76.3	13.38
	25	54.4	9.65	64.8	12.49	69.5	13.56	70.6	13.62	71.4	13.71	73.4	13.84	75.4	13.97
	27	54.4	10.31	64.8	13.36	68.6	11.94	69.5	14.21	70.3	14.28	72.3	14.43	74.3	14.58
	29	54.4	11.00	64.8	14.28	67.5	14.69	68.3	14.78	69.5	14.87	71.4	15.02	73.4	15.17
	31	54.4	11.75	64.6	15.11	66.4	15.28	67.5	15.37	68.3	15.44	70.3	15.61	72.3	15.79
	33	54.4	12.51	63.5	15.68	65.5	15.83	66.4	15.94	67.5	16.03	69.5	16.20	71.2	16.40
	35	54.4	13.34	62.4	16.24	64.4	16.44	65.5	16.53	66.4	16.61	68.3	16.81	70.3	16.99
	37	54.4	14.19	61.5	16.83	63.5	17.03	64.4	17.12	65.5	17.23	67.2	17.42	69.2	17.62
	39	54.4	15.11	60.4	17.40	62.4	17.60	63.5	17.71	64.4	17.82	66.4	18.01	68.3	18.23
	41	51.4	16.81	59.3	20.47	61.2	20.71	62.2	19.17	63.1	19.27	65.1	19.50	67.0	19.70
	43	48.6	17.53	58.1	21.33	60.0	21.84	61.0	20.38	61.9	20.01	63.8	19.99	65.7	20.20
	44	47.9	18.28	56.1	22.25	58.2	23.02	59.6	21.65	60.6	20.77	62.6	20.51	64.7	20.72
46	46.1	22.3	54.9	27.2	57.0	23.8	58.2	21.9	59.1	21.7	61.2	21.5	63.3	21.7	
47	45.2	24.32	54.3	29.61	56.3	24.17	57.5	21.98	58.4	22.10	60.5	22.02	62.6	22.25	
50	41.4	23.88	48.7	29.08	50.3	25.48	51.3	23.80	52.1	23.59	54.0	23.54	56.3	23.27	
52	26.4	14.13	35.5	17.59	44.0	19.80	48.4	20.79	48.6	20.10	49.8	19.83	52.6	20.36	
120%	-5	50.2	6.38	59.7	8.25	69.5	8.77	74.3	8.82	78.2	8.86	80.0	8.96	81.7	9.05
	0	50.2	6.39	59.7	8.27	69.5	8.79	74.3	8.83	78.2	8.88	80.0	8.97	81.7	9.07
	4	50.2	6.41	59.7	8.30	69.5	8.82	74.3	8.87	78.2	8.91	80.0	9.01	81.7	9.10
	7	50.2	6.53	59.7	8.45	69.5	8.98	74.3	9.03	78.2	9.08	80.0	9.17	81.7	9.27
	10	50.2	6.81	59.7	8.32	69.5	9.89	74.3	10.70	77.9	11.16	79.6	10.72	81.4	10.31
	12	50.2	6.94	59.7	8.47	69.5	10.09	74.3	10.89	76.7	11.09	78.5	10.68	80.3	10.24
	14	50.2	7.07	59.7	8.65	69.5	10.28	74.3	11.11	75.6	11.03	77.6	10.61	79.4	10.68
	16	50.2	7.20	59.7	8.82	69.5	10.48	73.9	11.20	74.8	11.05	76.5	11.16	78.3	11.24
	18	50.2	7.34	59.7	9.00	69.5	10.85	72.8	11.57	73.7	11.62	75.4	11.72	77.4	11.83
	20	50.2	7.49	59.7	9.34	69.5	11.66	71.9	12.14	72.8	12.18	74.5	12.29	76.3	12.40
	21	50.2	7.55	59.7	9.67	69.5	12.07	71.2	12.42	72.1	12.47	74.1	12.58	75.9	12.71
	23	50.2	8.08	59.7	10.37	69.5	12.93	70.3	12.97	71.2	13.03	73.0	13.17	74.8	13.27
	25	50.2	8.62	59.7	11.09	68.3	13.49	69.2	13.54	70.1	13.60	72.1	13.73	73.9	13.86
	27	50.2	9.21	59.7	11.86	67.5	14.04	68.3	14.13	69.2	14.19	71.0	14.32	72.8	14.45
	29	50.2	9.82	59.7	12.66	66.4	14.61	67.2	14.69	68.1	14.76	69.9	14.91	71.9	15.04
	31	50.2	10.48	59.7	13.51	65.5	15.20	66.4	15.26	67.2	15.35	69.0	15.50	70.8	15.65
	33	50.2	11.16	59.7	14.43	64.4	15.76	65.2	15.85	66.1	15.92	67.9	16.09	69.7	16.24
	35	50.2	11.88	59.7	15.37	63.3	16.33	64.1	16.42	65.2	16.51	67.0	16.68	68.8	16.85
	37	50.2	12.64	59.7	16.37	62.4	16.92	63.3	17.01	64.1	17.10	65.9	17.27	67.7	17.47
	39	50.2	13.45	59.5	17.29	61.3	17.49	62.2	17.60	63.0	17.68	65.0	17.88	66.8	18.06
	41	47.4	14.97	56.7	19.37	60.1	20.58	61.0	19.05	62.1	19.15	63.8	19.35	65.6	19.55
	43	44.8	15.60	54.1	20.19	59.0	21.68	59.8	20.23	61.1	19.88	62.6	19.84	64.3	20.06
	44	44.2	16.27	53.7	21.06	57.2	22.86	58.4	21.51	59.6	20.63	61.4	20.35	63.3	20.56
46	42.5	19.9	52.6	25.7	56.0	23.6	57.0	21.7	58.1	21.5	60.0	21.4	61.9	21.6	
47	41.7	21.65	52.0	28.02	55.4	24.01	56.3	21.84	57.4	21.95	59.3	21.85	61.2	22.08	
50	38.2	21.26	46.6	27.51	49.4	25.31	50.2	23.64	51.2	23.44	52.9	23.35	55.0	23.09	
52	25.9	14.04	34.8	17.48	43.1	19.67	47.4	20.65	47.6	19.97	48.8	19.70	51.5	20.23	

Combination	Outdoor air temp (°CDB)	Indoor air temp													
		14.0°C WB		17.0°C WB		18.0°C WB		19.0°C WB		20.0°C WB		22.0°C WB		24.0°C WB	
		20.0°C DB		24.0°C DB		26.0°C DB		27.0°C DB		28.0°C DB		30.0°C DB		32.0°C DB	
		TC	PI	TC	PI	TC	PI	TC	PI	TC	PI	TC	PI	TC	PI
		kW	kW	kW	kW	kW	kW	kW	kW	kW	kW	kW	kW	kW	
110%	-5	46.0	5.64	54.9	7.26	63.7	8.71	68.1	8.76	72.5	8.80	78.2	8.89	79.8	8.97
	0	46.0	5.65	54.9	7.27	63.7	8.73	68.1	8.77	72.5	8.82	78.2	8.90	79.8	8.99
	4	46.0	5.67	54.9	7.30	63.7	8.76	68.1	8.81	72.5	8.85	78.2	8.94	79.8	9.02
	7	46.0	5.78	54.9	7.43	63.7	8.92	68.1	8.97	72.5	9.02	78.2	9.10	79.8	9.19
	10	46.0	6.18	54.9	7.53	63.7	8.95	68.1	9.67	72.5	10.41	78.1	11.05	79.8	10.68
	12	46.0	6.31	54.9	7.69	63.7	9.13	68.1	9.87	72.5	10.61	77.2	11.00	78.7	10.61
	14	46.0	6.42	54.9	7.82	63.7	9.30	68.1	10.04	72.5	10.81	76.1	11.00	77.9	10.59
	16	46.0	6.53	54.9	7.97	63.7	9.48	68.1	10.24	72.5	11.03	75.2	11.07	76.7	11.18
	18	46.0	6.66	54.9	8.12	63.7	9.67	68.1	10.52	72.5	11.55	74.1	11.64	75.9	11.75
	20	46.0	6.79	54.9	8.30	63.7	10.24	68.1	11.31	71.4	12.12	73.2	12.20	74.8	12.31
	21	46.0	6.86	54.9	8.54	63.7	10.61	68.1	11.72	71.0	12.40	72.5	12.49	74.3	12.60
	23	46.0	7.18	54.9	9.15	63.7	11.37	68.1	12.58	69.9	12.95	71.7	13.08	73.2	13.19
	25	46.0	7.64	54.9	9.78	63.7	12.16	68.1	13.47	69.0	13.51	70.6	13.65	72.3	13.75
	27	46.0	8.17	54.9	10.46	63.7	13.01	67.0	14.04	67.9	14.08	69.7	14.21	71.2	14.34
	29	46.0	8.71	54.9	11.16	63.7	13.91	66.1	14.61	67.0	14.67	68.6	14.80	70.3	14.93
	31	46.0	9.28	54.9	11.90	63.7	14.85	65.0	15.17	65.9	15.24	67.7	15.37	69.2	15.52
	33	46.0	9.87	54.9	12.68	63.3	15.65	64.1	15.74	65.0	15.81	66.6	15.96	68.3	16.11
	35	46.0	10.50	54.9	13.51	62.4	16.22	63.0	16.31	63.9	16.40	65.5	16.55	67.2	16.70
	37	46.0	11.18	54.9	14.39	61.3	16.81	62.2	16.88	62.8	16.96	64.6	17.14	66.1	17.29
	39	46.0	11.88	54.9	15.33	60.2	17.38	61.0	17.47	61.9	17.55	63.5	17.73	65.2	17.90
41	43.5	13.23	52.1	17.03	59.3	20.44	59.9	18.92	60.8	19.02	62.3	19.20	64.1	19.37	
43	41.1	13.80	49.5	17.76	58.4	21.54	58.8	20.11	59.7	19.74	61.2	19.69	62.9	19.86	
44	40.5	14.39	49.4	18.51	56.4	22.71	57.4	21.36	58.4	20.50	60.0	20.19	61.9	20.38	
46	39.0	17.6	48.3	22.6	55.2	23.5	56.0	21.6	57.0	21.4	58.6	21.2	60.5	21.4	
47	38.2	19.14	47.7	24.64	54.6	23.85	55.3	21.69	56.3	21.81	57.9	21.68	59.8	21.88	
50	35.0	18.80	42.8	24.19	48.7	25.14	49.4	23.49	50.2	23.28	51.7	23.17	53.8	22.88	
52	25.4	13.95	34.2	17.36	42.3	19.54	46.6	20.51	46.8	19.84	48.0	19.57	50.7	20.09	
100%	-5	41.8	4.93	49.8	6.31	57.9	7.87	61.5	8.70	65.9	8.74	74.1	8.82	78.3	8.90
	0	41.8	4.94	49.8	6.33	57.9	7.89	61.5	8.72	65.9	8.76	74.1	8.84	78.3	8.92
	4	41.8	4.96	49.8	6.35	57.9	7.92	61.5	8.75	65.9	8.79	74.1	8.87	78.3	8.95
	7	41.8	5.05	49.8	6.47	57.9	8.06	61.5	8.91	65.9	8.95	74.1	9.04	78.3	9.12
	10	41.8	5.59	49.8	6.79	57.9	8.03	61.5	8.67	65.9	9.36	74.1	10.60	78.3	11.01
	12	41.8	5.66	49.8	6.88	57.9	8.14	61.5	8.79	65.9	9.55	74.1	10.78	77.2	10.93
	14	41.8	5.76	49.8	7.00	57.9	8.28	61.5	8.95	65.9	9.72	74.1	10.97	76.3	10.84
	16	41.8	5.89	49.8	7.16	57.9	8.46	61.5	9.15	65.9	9.94	73.8	11.21	75.2	11.08
	18	41.8	6.02	49.8	7.32	57.9	8.63	61.5	9.33	65.9	10.13	72.8	11.43	74.3	11.61
	20	41.8	6.11	49.8	7.43	57.9	8.91	61.5	9.82	65.9	10.78	71.7	12.03	73.2	12.22
	21	41.8	6.18	49.8	7.50	57.9	9.22	61.5	10.15	65.9	11.15	71.2	12.44	72.8	12.56
	23	41.8	6.34	49.8	8.02	57.9	9.91	61.5	10.92	65.9	11.99	70.4	13.17	71.7	13.29
	25	41.8	6.74	49.8	8.53	57.9	10.54	61.5	11.61	65.9	12.82	69.2	13.65	70.8	13.77
	27	41.8	7.20	49.8	9.11	57.9	11.31	61.5	12.46	65.9	13.75	68.1	14.13	69.7	14.25
	29	41.8	7.63	49.8	9.73	57.9	12.10	61.5	13.33	65.7	14.57	67.2	14.81	68.7	14.94
	31	41.8	8.11	49.8	10.37	57.9	12.90	61.5	14.36	64.9	15.16	65.6	15.41	67.7	15.55
	33	41.8	8.63	49.8	11.04	57.9	13.75	61.5	15.20	63.7	15.71	65.3	15.85	66.8	16.00
	35	41.8	9.18	49.8	11.76	57.9	14.66	61.5	16.20	62.6	16.28	64.1	16.43	65.6	16.58
	37	41.8	9.78	49.8	12.52	57.9	15.61	60.8	16.78	61.8	16.87	63.2	16.99	64.7	17.14
	39	41.8	10.42	49.8	13.34	57.9	16.63	60.0	17.34	60.3	17.42	62.4	17.55	63.2	17.70
41	39.5	11.57	47.3	14.82	55.1	18.47	58.9	18.79	59.5	18.89	61.0	19.06	62.6	19.23	
43	37.3	12.06	44.9	15.46	53.7	19.47	57.8	19.97	58.7	19.60	59.7	19.55	62.0	19.72	
44	36.8	12.58	44.8	16.11	52.4	20.53	56.4	21.22	57.1	20.35	58.7	20.04	60.4	20.22	
46	35.4	15.4	43.8	19.7	51.3	21.2	55.0	21.4	55.8	21.2	57.4	21.0	59.1	21.2	
47	34.7	16.74	43.3	21.44	50.7	21.55	54.4	21.55	55.1	21.65	56.7	21.52	58.4	21.71	
50	31.8	16.44	38.8	21.05	45.3	22.72	48.5	23.33	49.1	23.12	50.6	23.00	52.5	22.71	
52	25.0	12.70	33.6	15.80	41.6	17.78	45.8	18.67	46.0	18.06	47.1	17.81	49.8	18.29	

GMV6 DC Inverter VRF Units Technical Sales Guide

Combination	Outdoor air temp (°CDB)	Indoor air temp													
		14.0°C WB		17.0°C WB		18.0°C WB		19.0°C WB		20.0°C WB		22.0°C WB		24.0°C WB	
		20.0°C DB		24.0°C DB		26.0°C DB		27.0°C DB		28.0°C DB		30.0°C DB		32.0°C DB	
		TC	PI	TC	PI	TC	PI	TC	PI	TC	PI	TC	PI	TC	PI
		kW	kW	kW	kW	kW	kW	kW	kW	kW	kW	kW	kW	kW	
90%	-5	37.6	4.30	44.8	5.45	52.2	6.72	55.7	7.43	59.3	8.17	66.6	8.74	73.9	8.82
	0	37.6	4.31	44.8	5.46	52.2	6.74	55.7	7.44	59.3	8.19	66.6	8.76	73.9	8.84
	4	37.6	4.33	44.8	5.48	52.2	6.76	55.7	7.47	59.3	8.22	66.6	8.79	73.9	8.87
	7	37.6	4.41	44.8	5.58	52.2	6.89	55.7	7.61	59.3	8.37	66.6	8.96	73.9	9.04
	10	37.6	4.88	44.8	5.86	52.2	6.86	55.7	7.73	59.3	8.23	66.7	9.43	73.9	10.68
	12	37.6	4.94	44.8	5.93	52.2	6.95	55.7	7.83	59.3	8.39	66.7	9.59	73.9	10.82
	14	37.6	5.03	44.8	6.04	52.2	7.07	55.7	7.95	59.3	8.53	66.7	9.75	73.9	11.00
	16	37.6	5.14	44.8	6.17	52.2	7.23	55.7	8.13	59.3	8.72	66.7	9.97	73.6	11.21
	18	37.6	5.25	44.8	6.31	52.2	7.37	55.7	8.28	59.3	8.89	66.7	10.21	73.0	11.62
	20	37.6	5.33	44.8	6.41	52.2	7.61	55.7	8.45	59.3	9.26	66.7	10.96	71.7	12.10
	21	37.6	5.39	44.8	6.47	52.2	7.87	55.7	8.74	59.3	9.58	66.7	11.34	71.2	12.37
	23	37.6	5.53	44.8	6.91	52.2	8.46	55.7	9.39	59.3	10.26	66.7	12.18	70.1	13.01
	25	37.6	5.88	44.8	7.36	52.2	9.00	55.7	10.02	59.3	10.97	66.7	13.03	69.2	13.54
	27	37.6	6.28	44.8	7.86	52.2	9.66	55.7	10.70	59.3	11.74	66.7	13.90	68.1	14.13
	29	37.6	6.65	44.8	8.40	52.2	10.33	55.7	11.43	59.3	12.53	65.9	14.57	67.2	14.70
	31	37.6	7.08	44.8	8.94	52.2	11.02	55.7	12.20	59.3	13.38	64.8	15.10	66.1	15.30
	33	37.6	7.53	44.8	9.52	52.2	11.74	55.7	12.98	59.3	14.23	63.9	15.71	65.2	15.86
	35	37.6	8.01	44.8	10.14	52.2	12.52	55.7	13.83	59.3	15.22	62.8	16.28	64.1	16.43
	37	37.6	8.53	44.8	10.80	52.2	13.33	54.7	14.33	59.3	16.28	61.7	16.87	63.3	16.82
	39	37.6	9.09	44.8	11.50	52.2	14.20	54.0	14.81	59.3	17.26	60.8	17.49	62.2	17.45
	41	35.6	10.09	42.5	12.78	49.6	15.78	53.0	16.05	56.4	17.65	59.8	18.89	61.1	19.06
	43	33.6	10.52	40.4	13.32	48.2	16.64	52.0	17.05	55.3	18.33	58.8	19.37	60.1	19.58
44	33.1	10.98	40.3	13.89	47.2	17.53	50.7	18.12	54.2	19.02	57.5	19.87	59.0	20.04	
46	31.9	13.4	39.4	17.0	46.2	18.1	49.5	18.3	52.9	19.8	56.2	20.8	57.7	21.0	
47	31.2	14.61	39.0	18.49	45.6	18.41	48.9	18.40	52.2	20.24	55.6	21.33	57.1	21.52	
50	28.6	14.34	34.9	18.15	40.7	19.41	43.6	19.92	46.6	21.61	49.6	22.80	51.3	22.51	
52	22.5	11.84	30.3	14.74	37.4	16.58	41.2	17.41	41.4	16.84	42.9	16.61	44.8	17.05	
80%	-5	33.4	3.72	39.8	4.58	46.4	5.70	49.5	6.27	52.6	6.86	59.3	8.14	65.7	8.72
	0	33.4	3.72	39.8	4.59	46.4	5.71	49.5	6.28	52.6	6.87	59.3	8.15	65.7	8.73
	4	33.4	3.74	39.8	4.61	46.4	5.73	49.5	6.31	52.6	6.89	59.3	8.18	65.7	8.77
	7	33.4	3.81	39.8	4.70	46.4	5.84	49.5	6.42	52.6	7.02	59.3	8.33	65.7	8.93
	10	33.4	4.43	39.8	5.31	46.4	6.24	49.5	6.72	52.7	7.20	59.3	8.23	65.7	9.55
	12	33.4	4.50	39.8	5.39	46.4	6.35	49.5	6.86	52.7	7.34	59.3	8.37	65.7	9.48
	14	33.4	4.58	39.8	5.50	46.4	6.46	49.5	6.96	52.7	7.47	59.3	8.51	65.7	9.69
	16	33.4	4.65	39.8	5.59	46.4	6.59	49.5	7.10	52.7	7.59	59.3	8.71	65.7	10.04
	18	33.4	4.74	39.8	5.70	46.4	6.74	49.5	7.25	52.7	7.73	59.3	8.90	65.7	10.74
	20	33.4	4.83	39.8	5.81	46.4	6.86	49.5	7.38	52.7	7.91	59.3	9.22	65.7	11.13
	21	33.4	4.87	39.8	5.85	46.4	6.92	49.5	7.47	52.7	8.09	59.3	9.56	65.7	11.92
	23	33.4	4.96	39.8	5.98	46.4	7.25	49.5	7.95	52.7	8.65	59.3	10.22	65.7	12.74
	25	33.4	5.11	39.8	6.35	46.4	7.75	49.5	8.49	52.7	9.23	59.3	10.95	65.7	13.60
	27	33.4	5.44	39.8	6.77	46.4	8.25	49.5	9.06	52.7	9.90	59.3	11.68	65.7	14.08
	29	33.4	5.79	39.8	7.20	46.4	8.80	49.5	9.65	52.6	10.56	59.3	12.47	65.7	14.59
	31	33.4	6.14	39.8	7.66	46.4	9.37	49.5	10.28	52.6	11.26	59.3	13.30	64.6	15.12
	33	33.4	6.53	39.8	8.54	46.4	9.98	49.5	10.96	52.6	11.99	59.3	14.20	63.7	15.67
	35	33.4	6.92	39.8	8.54	46.4	10.61	49.5	11.68	52.6	12.77	59.3	15.15	62.6	16.24
	37	33.4	7.34	39.8	9.19	46.4	11.29	48.7	12.44	52.6	13.60	59.3	16.14	61.7	16.84
	39	33.4	7.77	39.8	9.76	46.4	12.01	48.0	13.25	52.6	14.48	59.3	17.19	60.6	17.46
	41	31.6	8.72	37.8	10.76	44.0	13.37	47.1	13.55	50.0	14.81	56.4	17.58	59.7	18.83
	43	29.9	9.09	36.7	11.22	42.9	14.08	46.2	14.41	48.9	15.37	55.3	18.03	58.7	19.32
44	29.4	9.48	35.8	11.70	42.0	14.86	45.1	15.30	48.0	15.96	54.3	18.49	57.6	19.81	
46	28.3	11.6	35.0	14.3	41.0	15.4	44.0	15.5	46.8	16.6	53.1	19.4	56.3	20.8	
47	27.8	12.62	34.6	15.56	40.6	15.60	43.5	15.53	46.2	16.98	52.4	19.85	55.7	21.27	
50	25.4	12.39	31.1	15.28	36.2	16.45	38.8	16.82	41.3	18.13	46.8	21.22	50.1	22.24	
52	20.0	9.99	26.9	12.43	33.3	13.99	36.6	14.69	36.8	14.21	37.7	14.01	39.8	14.39	

Combination	Outdoor air temp (°CDB)	Indoor air temp													
		14.0°C WB		17.0°C WB		18.0°C WB		19.0°C WB		20.0°C WB		22.0°C WB		24.0°C WB	
		20.0°C DB		24.0°C DB		26.0°C DB		27.0°C DB		28.0°C DB		30.0°C DB		32.0°C DB	
		TC	PI	TC	PI	TC	PI	TC	PI	TC	PI	TC	PI	TC	PI
		kW	kW	kW	kW	kW	kW	kW	kW	kW	kW	kW	kW	kW	
70%	-5	29.3	3.17	34.8	3.92	40.6	4.75	43.4	5.21	46.2	5.67	51.8	6.68	57.5	7.77
	0	29.3	3.17	34.8	3.92	40.6	4.76	43.4	5.22	46.2	5.69	51.8	6.70	57.5	7.79
	4	29.3	3.18	34.8	3.94	40.6	4.77	43.4	5.23	46.2	5.71	51.8	6.72	57.5	7.82
	7	29.3	3.24	34.8	4.01	40.6	4.86	43.4	5.33	46.2	5.81	51.8	6.84	57.5	7.96
	10	29.3	3.91	34.8	4.63	40.6	5.39	43.4	5.81	46.1	6.22	51.8	7.07	57.5	7.95
	12	29.3	3.95	34.8	4.69	40.6	5.50	43.4	5.92	46.1	6.33	51.8	7.20	57.5	8.10
	14	29.3	4.02	34.8	4.78	40.6	5.59	43.4	6.00	46.1	6.44	51.8	7.34	57.5	8.25
	16	29.3	4.08	34.8	4.87	40.6	5.70	43.4	6.14	46.1	6.57	51.8	7.47	57.5	8.41
	18	29.3	4.15	34.8	4.96	40.6	5.81	43.4	6.24	46.1	6.68	51.8	7.62	57.5	8.58
	20	29.3	4.21	34.8	5.04	40.6	5.92	43.4	6.35	46.1	6.81	51.8	7.77	57.5	8.82
	21	29.3	4.26	34.8	5.09	40.6	5.96	43.4	6.42	46.1	6.88	51.8	7.86	57.5	9.13
	23	29.3	4.32	34.8	5.17	40.6	6.09	43.4	6.64	46.1	7.23	51.8	8.45	57.5	9.78
	25	29.3	4.41	34.8	5.39	40.6	6.48	43.4	7.10	46.1	7.71	51.8	9.04	57.5	10.46
	27	29.3	4.67	34.8	5.74	40.6	6.92	43.4	7.55	46.1	8.23	51.8	9.65	57.5	11.18
	29	29.3	4.96	34.8	6.09	40.6	7.36	43.4	8.06	46.1	8.75	51.8	10.28	57.5	11.94
	31	29.3	5.24	34.8	6.46	40.6	7.84	43.4	8.56	46.1	9.32	51.8	10.96	57.5	12.73
	33	29.3	5.57	34.8	6.88	40.6	8.34	43.4	9.10	46.1	9.93	51.8	11.68	57.5	13.58
	35	29.3	5.89	34.8	7.29	40.6	8.84	43.4	9.69	46.1	10.57	51.8	12.44	57.5	14.48
	37	29.3	6.22	34.8	7.73	40.6	9.41	42.6	10.31	46.1	11.24	51.8	13.25	57.5	15.41
	39	29.3	6.59	34.8	8.19	40.6	9.98	42.0	10.94	46.1	11.94	51.8	14.08	57.5	16.42
41	27.7	7.43	33.1	9.19	38.5	11.14	41.2	11.24	43.9	12.26	49.4	14.44	54.8	16.79	
43	26.1	7.74	32.1	9.59	37.2	11.74	40.4	11.95	41.7	12.72	48.4	14.80	53.3	17.22	
44	25.8	8.08	31.4	9.99	36.7	12.38	39.4	12.70	42.1	13.21	47.5	15.18	52.9	17.66	
46	24.8	9.9	30.7	12.2	35.9	12.8	38.5	12.8	41.1	13.8	46.4	15.9	51.8	18.5	
47	24.3	10.75	30.3	13.29	35.5	13.00	38.1	12.89	40.6	14.05	45.9	16.30	51.2	18.96	
50	22.2	10.55	27.2	13.05	31.7	13.71	33.9	13.96	36.2	15.01	41.0	17.42	46.0	19.83	
52	17.5	8.29	23.5	10.32	29.1	11.51	32.0	12.19	32.2	11.79	33.0	11.63	34.8	11.94	
60%	-5	25.1	2.66	29.9	3.25	34.8	3.89	37.2	4.24	39.6	4.61	44.5	5.38	49.3	6.21
	0	25.1	2.67	29.9	3.25	34.8	3.90	37.2	4.25	39.6	4.62	44.5	5.39	49.3	6.23
	4	25.1	2.68	29.9	3.27	34.8	3.91	37.2	4.27	39.6	4.63	44.5	5.41	49.3	6.25
	7	25.1	2.73	29.9	3.33	34.8	3.99	37.2	4.35	39.6	4.72	44.5	5.51	49.3	6.36
	10	25.1	3.38	29.9	3.97	34.8	4.61	37.2	4.93	39.5	5.26	44.4	5.96	49.3	6.68
	12	25.1	3.45	29.9	4.04	34.8	4.69	37.2	5.02	39.5	5.35	44.4	6.07	49.3	6.79
	14	25.1	3.49	29.9	4.10	34.8	4.76	37.2	5.11	39.5	5.46	44.4	6.18	49.3	6.92
	16	25.1	3.54	29.9	4.17	34.8	4.85	37.2	5.20	39.5	5.55	44.4	6.29	49.3	7.05
	18	25.1	3.60	29.9	4.24	34.8	4.93	37.2	5.28	39.5	5.65	44.4	6.40	49.3	7.18
	20	25.1	3.65	29.9	4.32	34.8	5.02	37.2	5.39	39.5	5.76	44.4	6.53	49.3	7.34
	21	25.1	3.69	29.9	4.34	34.8	5.07	37.2	5.44	39.5	5.81	44.4	6.59	49.3	7.40
	23	25.1	3.73	29.9	4.43	34.8	5.15	37.2	5.55	39.5	5.92	44.4	6.86	49.3	7.88
	25	25.1	3.80	29.9	4.52	34.8	5.35	37.2	5.81	39.5	6.29	44.4	7.31	49.3	8.41
	27	25.1	3.95	29.9	4.78	34.8	5.70	37.2	6.20	39.5	6.70	44.4	7.79	49.3	8.97
	29	25.1	4.17	29.9	5.07	34.8	6.07	37.2	6.59	39.5	7.14	44.4	8.32	49.3	9.58
	31	25.1	4.43	29.9	5.39	34.8	6.44	37.2	7.01	39.5	7.60	44.4	8.84	49.3	10.20
	33	25.1	4.67	29.9	5.70	34.8	6.83	37.2	7.45	39.5	8.08	44.4	9.41	49.3	10.87
	35	25.1	4.96	29.9	6.05	34.8	7.25	37.2	7.90	39.5	8.58	44.4	10.02	49.3	11.57
	37	25.1	5.24	29.9	6.40	34.8	7.69	36.5	8.38	39.5	9.10	44.4	10.65	49.3	12.31
	39	25.1	5.52	29.9	6.77	34.8	8.14	36.0	8.89	39.5	9.67	44.4	11.31	49.3	13.10
41	23.7	6.24	28.4	7.62	33.0	9.13	35.3	9.17	37.6	9.95	42.3	11.62	47.0	13.42	
43	22.4	6.51	26.9	7.94	32.1	9.63	34.7	9.74	36.5	10.33	41.8	11.92	46.0	13.77	
44	22.1	6.79	26.9	8.29	31.5	10.15	33.8	10.35	36.1	10.73	40.7	12.23	45.4	14.12	
46	21.2	8.3	26.3	10.1	30.8	10.5	33.0	10.5	35.2	11.2	39.8	12.8	44.4	14.8	
47	20.8	9.03	26.0	11.02	30.4	10.66	32.6	10.51	34.8	11.41	39.3	13.13	43.9	15.16	
50	19.1	8.87	23.3	10.83	27.2	11.24	29.1	11.38	31.0	12.18	35.1	14.03	39.5	15.85	
52	15.0	6.76	20.2	8.41	24.9	9.47	27.5	9.94	27.6	9.61	28.3	9.48	29.9	9.74	

GMV6 DC Inverter VRF Units Technical Sales Guide

Combination	Outdoor air temp (°CDB)	Indoor air temp													
		14.0°C WB		17.0°C WB		18.0°C WB		19.0°C WB		20.0°C WB		22.0°C WB		24.0°C WB	
		20.0°C DB		24.0°C DB		26.0°C DB		27.0°C DB		28.0°C DB		30.0°C DB		32.0°C DB	
		TC	PI	TC	PI	TC	PI	TC	PI	TC	PI	TC	PI	TC	PI
	kW	kW	kW	kW	kW	kW	kW	kW	kW	kW	kW	kW	kW	kW	
50%	-5	20.9	2.20	24.9	2.64	29.0	3.12	31.0	3.38	33.0	3.65	37.0	4.22	41.1	4.83
	0	20.9	2.21	24.9	2.64	29.0	3.12	31.0	3.38	33.0	3.65	37.0	4.23	41.1	4.84
	4	20.9	2.22	24.9	2.65	29.0	3.14	31.0	3.40	33.0	3.67	37.0	4.24	41.1	4.86
	7	20.9	2.26	24.9	2.70	29.0	3.19	31.0	3.46	33.0	3.73	37.0	4.32	41.1	4.95
	10	20.9	2.93	24.9	3.38	29.0	3.86	31.0	4.13	33.0	4.37	37.0	4.91	41.1	5.48
	12	20.9	2.95	24.9	3.43	29.0	3.93	31.0	4.17	33.0	4.45	37.0	5.00	41.1	5.57
	14	20.9	2.99	24.9	3.47	29.0	3.97	31.0	4.26	33.0	4.52	37.0	5.09	41.1	5.68
	16	20.9	3.03	24.9	3.52	29.0	4.04	31.0	4.32	33.0	4.58	37.0	5.17	41.1	5.76
	18	20.9	3.08	24.9	3.58	29.0	4.10	31.0	4.39	33.0	4.67	37.0	5.26	41.1	5.87
	20	20.9	3.12	24.9	3.62	29.0	4.17	31.0	4.48	33.0	4.76	37.0	5.37	41.1	5.98
	21	20.9	3.14	24.9	3.67	29.0	4.21	31.0	4.50	33.0	4.80	37.0	5.41	41.1	6.05
	23	20.9	3.19	24.9	3.71	29.0	4.28	31.0	4.58	33.0	4.89	37.0	5.50	41.1	6.18
	25	20.9	3.23	24.9	3.78	29.0	4.37	31.0	4.67	33.0	5.04	37.0	5.79	41.1	6.59
	27	20.9	3.30	24.9	3.93	29.0	4.61	31.0	4.98	33.0	5.35	37.0	6.16	41.1	7.03
	29	20.9	3.47	24.9	4.15	29.0	4.89	31.0	5.28	32.8	5.70	37.0	6.55	41.1	7.49
	31	20.9	3.67	24.9	4.39	29.0	5.22	31.0	5.61	32.8	6.05	37.0	6.96	41.1	7.97
	33	20.9	3.89	24.9	4.65	29.0	5.50	31.0	5.94	32.8	6.42	37.0	7.40	41.1	8.47
	35	20.9	4.10	24.9	4.91	29.0	5.81	31.0	6.29	32.8	6.79	37.0	7.86	41.1	9.00
	37	20.9	4.32	24.9	5.20	29.0	6.16	30.4	6.66	32.8	7.20	37.0	8.34	41.1	9.56
	39	20.9	4.56	24.9	5.48	29.0	6.51	30.0	7.05	32.8	7.64	37.0	8.84	41.1	10.15
41	19.8	5.17	23.6	6.19	27.5	7.32	29.4	7.29	31.2	7.88	35.3	9.12	39.2	10.43	
43	18.7	5.40	22.5	6.50	26.8	7.71	28.9	7.82	30.7	8.18	34.3	9.35	38.3	10.71	
44	18.4	5.62	22.4	6.73	26.2	8.13	28.2	8.24	30.0	8.49	33.9	9.59	37.8	10.97	
46	17.7	6.9	21.9	8.2	25.6	8.4	27.5	8.3	29.3	8.8	33.2	10.1	37.0	11.5	
47	17.3	7.48	21.6	8.96	25.4	8.54	27.2	8.36	28.9	9.03	32.8	10.30	36.6	11.78	
50	15.9	7.35	19.4	8.79	22.6	9.00	24.2	9.05	25.8	9.64	29.3	11.00	32.9	12.32	
52	12.5	5.38	16.8	6.69	20.8	7.53	22.9	7.91	23.0	7.65	23.6	7.54	24.9	7.75	

GMV-680WM/G-X

TC—Total capacity of outdoor unit; PI—Power input of outdoor unit

Combination	Outdoor air temp (°CDB)	Indoor air temp													
		14.0°C WB		17.0°C WB		18.0°C WB		19.0°C WB		20.0°C WB		22.0°C WB		24.0°C WB	
		20.0°C DB		24.0°C DB		26.0°C DB		27.0°C DB		28.0°C DB		30.0°C DB		32.0°C DB	
		TC	PI	TC	PI	TC	PI	TC	PI	TC	PI	TC	PI	TC	PI
		kW	kW	kW	kW	kW	kW	kW	kW	kW	kW	kW	kW	kW	
135%	-5	60.2	9.06	71.7	11.04	83.1	11.17	86.3	11.23	87.9	11.29	90.2	11.42	92.4	11.54
	0	60.2	9.08	71.7	11.06	83.1	11.19	86.3	11.25	87.9	11.31	90.2	11.45	92.4	11.56
	4	60.2	9.12	71.7	11.10	83.1	11.23	86.3	11.29	87.9	11.35	90.2	11.49	92.4	11.61
	7	60.2	9.28	71.7	11.31	83.1	11.44	86.3	11.50	87.9	11.56	90.2	11.70	92.4	11.82
	10	60.2	9.45	71.7	11.55	83.1	13.73	86.3	14.04	87.3	13.76	89.5	13.18	91.7	12.57
	12	60.2	9.61	71.7	11.77	83.1	14.01	85.1	13.95	86.3	13.68	88.3	13.07	90.5	12.87
	14	60.2	9.81	71.7	11.99	82.9	14.17	84.1	13.90	85.1	13.59	87.3	13.48	89.5	13.62
	16	60.2	9.97	71.7	12.24	81.9	14.12	82.9	14.01	83.9	14.06	86.1	14.20	88.3	14.34
	18	60.2	10.17	71.7	12.49	80.7	14.64	81.7	14.73	82.9	14.81	85.1	14.95	87.3	15.08
	20	60.2	10.39	71.7	13.29	79.5	15.36	80.7	15.44	81.7	15.53	83.9	15.67	86.1	15.83
	21	60.2	10.66	71.7	13.76	79.0	15.72	80.2	15.80	81.2	15.89	83.4	16.05	85.6	16.19
	23	60.2	11.44	71.7	14.75	78.0	16.44	79.0	16.52	80.0	16.60	82.2	16.77	84.4	16.94
	25	60.2	12.21	71.7	15.80	76.8	17.16	78.0	17.24	79.0	17.35	81.2	17.52	83.4	17.68
	27	60.2	13.04	71.7	16.91	75.8	15.11	76.8	17.99	77.8	18.07	80.0	18.26	82.2	18.46
	29	60.2	13.92	71.7	18.07	74.6	18.59	75.6	18.70	76.8	18.81	79.0	19.01	81.2	19.20
	31	60.2	14.86	71.4	19.12	73.4	19.34	74.6	19.45	75.6	19.53	77.8	19.75	80.0	19.98
	33	60.2	15.83	70.2	19.84	72.4	20.03	73.4	20.17	74.6	20.28	76.8	20.50	78.7	20.75
	35	60.2	16.88	69.0	20.56	71.2	20.80	72.4	20.91	73.4	21.02	75.6	21.27	77.8	21.49
	37	60.2	17.96	68.0	21.30	70.2	21.55	71.2	21.66	72.4	21.80	74.3	22.05	76.5	22.30
	39	60.2	19.12	66.8	22.02	69.0	22.27	70.2	22.41	71.2	22.54	73.4	22.79	75.6	23.07
	41	56.9	21.27	65.5	25.90	67.6	26.21	68.8	24.26	69.8	24.39	71.9	24.68	74.1	24.93
	43	53.7	22.18	64.3	27.00	66.3	27.63	67.5	25.78	68.4	25.32	70.5	25.30	72.7	25.56
	44	52.9	23.13	62.1	28.16	64.4	29.13	65.9	27.40	67.0	26.28	69.2	25.95	71.5	26.22
	46	50.9	28.2	60.7	34.4	63.0	30.1	64.3	27.7	65.4	27.4	67.7	27.2	70.0	27.5
47	49.9	30.77	60.0	37.47	62.3	30.58	63.6	27.82	64.6	27.96	66.9	27.87	69.2	28.16	
50	45.7	30.22	53.8	36.79	55.6	32.25	56.7	30.12	57.6	29.86	59.7	29.78	62.2	29.45	
52	29.2	17.88	39.3	22.26	48.6	25.05	53.5	26.30	53.8	25.44	55.1	25.09	58.2	25.77	
120%	-5	55.5	8.07	66.0	10.44	76.8	11.10	82.2	11.16	86.4	11.22	88.4	11.33	90.4	11.45
	0	55.5	8.09	66.0	10.46	76.8	11.12	82.2	11.18	86.4	11.24	88.4	11.36	90.4	11.47
	4	55.5	8.12	66.0	10.50	76.8	11.16	82.2	11.22	86.4	11.28	88.4	11.40	90.4	11.52
	7	55.5	8.27	66.0	10.70	76.8	11.37	82.2	11.43	86.4	11.49	88.4	11.61	90.4	11.73
	10	55.5	8.62	66.0	10.53	76.8	12.52	82.2	13.54	86.1	14.12	88.0	13.57	90.0	13.04
	12	55.5	8.79	66.0	10.72	76.8	12.76	82.2	13.79	84.9	14.04	86.8	13.51	88.8	12.96
	14	55.5	8.95	66.0	10.94	76.8	13.01	82.2	14.06	83.6	13.95	85.8	13.43	87.8	13.51
	16	55.5	9.12	66.0	11.16	76.8	13.26	81.7	14.17	82.7	13.98	84.6	14.12	86.6	14.23
	18	55.5	9.28	66.0	11.38	76.8	13.73	80.5	14.64	81.4	14.70	83.4	14.84	85.6	14.97
	20	55.5	9.48	66.0	11.82	76.8	14.75	79.5	15.36	80.5	15.42	82.4	15.55	84.4	15.69
	21	55.5	9.56	66.0	12.24	76.8	15.28	78.7	15.72	79.7	15.78	81.9	15.91	83.9	16.08
	23	55.5	10.22	66.0	13.12	76.8	16.36	77.8	16.41	78.7	16.49	80.7	16.66	82.7	16.80
	25	55.5	10.91	66.0	14.04	75.6	17.07	76.5	17.13	77.5	17.21	79.7	17.38	81.7	17.54
	27	55.5	11.66	66.0	15.00	74.6	17.76	75.6	17.88	76.5	17.96	78.5	18.12	80.5	18.29
	29	55.5	12.43	66.0	16.02	73.4	18.48	74.3	18.59	75.3	18.68	77.3	18.87	79.5	19.04
	31	55.5	13.26	66.0	17.10	72.4	19.23	73.4	19.31	74.3	19.42	76.3	19.62	78.3	19.81
	33	55.5	14.12	66.0	18.26	71.2	19.95	72.1	20.06	73.1	20.14	75.1	20.36	77.0	20.56
	35	55.5	15.03	66.0	19.45	69.9	20.67	70.9	20.78	72.1	20.89	74.1	21.11	76.1	21.33
	37	55.5	16.00	66.0	20.72	69.0	21.41	69.9	21.52	70.9	21.63	72.9	21.85	74.8	22.10
	39	55.5	17.02	65.8	21.88	67.7	22.13	68.7	22.27	69.7	22.38	71.9	22.63	73.9	22.85
	41	52.5	18.94	62.7	24.51	66.5	26.04	67.4	24.10	68.6	24.23	70.5	24.49	72.5	24.74
	43	49.6	19.74	59.8	25.55	65.2	27.44	66.1	25.61	67.5	25.15	69.2	25.11	71.1	25.38
	44	48.9	20.59	59.4	26.65	63.3	28.93	64.5	27.22	65.9	26.11	67.9	25.75	70.0	26.02
	46	47.0	25.1	58.1	32.5	61.9	29.9	63.0	27.5	64.3	27.2	66.3	27.0	68.5	27.3
47	46.1	27.40	57.4	35.46	61.2	30.38	62.3	27.63	63.5	27.78	65.6	27.65	67.7	27.94	
50	42.2	26.90	51.5	34.82	54.6	32.03	55.5	29.92	56.6	29.66	58.5	29.55	60.8	29.22	
52	28.6	17.77	38.5	22.12	47.6	24.89	52.4	26.13	52.7	25.27	54.0	24.93	57.0	25.60	

GMV6 DC Inverter VRF Units Technical Sales Guide

Combination	Outdoor air temp (°CDB)	Indoor air temp													
		14.0°C WB		17.0°C WB		18.0°C WB		19.0°C WB		20.0°C WB		22.0°C WB		24.0°C WB	
		20.0°C DB		24.0°C DB		26.0°C DB		27.0°C DB		28.0°C DB		30.0°C DB		32.0°C DB	
		TC	PI	TC	PI	TC	PI	TC	PI	TC	PI	TC	PI	TC	PI
	kW	kW	kW	kW	kW	kW	kW	kW	kW	kW	kW	kW	kW	kW	
110%	-5	50.9	7.14	60.7	9.18	70.4	11.02	75.3	11.08	80.2	11.14	86.4	11.25	88.2	11.35
	0	50.9	7.15	60.7	9.20	70.4	11.04	75.3	11.10	80.2	11.16	86.4	11.27	88.2	11.37
	4	50.9	7.18	60.7	9.23	70.4	11.08	75.3	11.14	80.2	11.20	86.4	11.31	88.2	11.41
	7	50.9	7.31	60.7	9.41	70.4	11.29	75.3	11.35	80.2	11.41	86.4	11.52	88.2	11.62
	10	50.9	7.82	60.7	9.53	70.4	11.33	75.3	12.24	80.2	13.18	86.3	13.98	88.3	13.51
	12	50.9	7.98	60.7	9.73	70.4	11.55	75.3	12.49	80.2	13.43	85.4	13.92	87.1	13.43
	14	50.9	8.12	60.7	9.89	70.4	11.77	75.3	12.71	80.2	13.68	84.1	13.92	86.1	13.40
	16	50.9	8.26	60.7	10.08	70.4	11.99	75.3	12.96	80.2	13.95	83.1	14.01	84.9	14.15
	18	50.9	8.43	60.7	10.28	70.4	12.24	75.3	13.32	80.2	14.62	81.9	14.73	83.9	14.86
	20	50.9	8.59	60.7	10.50	70.4	12.96	75.3	14.31	79.0	15.33	80.9	15.44	82.7	15.58
	21	50.9	8.68	60.7	10.80	70.4	13.43	75.3	14.84	78.5	15.69	80.2	15.80	82.2	15.94
	23	50.9	9.09	60.7	11.58	70.4	14.39	75.3	15.91	77.3	16.38	79.2	16.55	80.9	16.69
	25	50.9	9.67	60.7	12.38	70.4	15.39	75.3	17.05	76.3	17.10	78.0	17.27	80.0	17.41
	27	50.9	10.33	60.7	13.23	70.4	16.47	74.1	17.76	75.1	17.82	77.0	17.99	78.7	18.15
	29	50.9	11.02	60.7	14.12	70.4	17.60	73.1	18.48	74.1	18.57	75.8	18.73	77.8	18.90
	31	50.9	11.74	60.7	15.06	70.4	18.79	71.9	19.20	72.9	19.28	74.8	19.45	76.5	19.64
	33	50.9	12.49	60.7	16.05	69.9	19.81	70.9	19.92	71.9	20.00	73.6	20.20	75.6	20.39
	35	50.9	13.29	60.7	17.10	69.0	20.53	69.7	20.64	70.7	20.75	72.4	20.94	74.3	21.14
	37	50.9	14.15	60.7	18.21	67.7	21.27	68.7	21.36	69.5	21.47	71.4	21.69	73.1	21.88
	39	50.9	15.03	60.7	19.39	66.5	21.99	67.5	22.10	68.5	22.21	70.2	22.43	72.1	22.65
41	48.1	16.74	57.6	21.55	65.5	25.86	66.2	23.94	67.2	24.07	68.9	24.29	70.9	24.52	
43	45.4	17.46	54.7	22.47	64.6	27.26	65.0	25.45	66.0	24.99	67.7	24.91	69.6	25.13	
44	44.8	18.21	54.6	23.43	62.4	28.74	63.4	27.04	64.5	25.94	66.3	25.55	68.4	25.79	
46	43.1	22.2	53.4	28.6	61.0	29.7	61.9	27.3	63.0	27.0	64.8	26.8	66.9	27.1	
47	42.2	24.23	52.8	31.18	60.3	30.18	61.2	27.45	62.2	27.60	64.1	27.43	66.2	27.69	
50	38.7	23.79	47.3	30.61	53.9	31.82	54.6	29.72	55.5	29.46	57.2	29.32	59.5	28.96	
52	28.1	17.65	37.8	21.97	46.8	24.72	51.5	25.96	51.8	25.10	53.0	24.76	56.0	25.43	
100%	-5	46.2	6.24	55.0	7.99	64.1	9.96	68.0	11.01	72.9	11.06	81.9	11.16	86.5	11.26
	0	46.2	6.25	55.0	8.00	64.1	9.98	68.0	11.03	72.9	11.08	81.9	11.18	86.5	11.28
	4	46.2	6.28	55.0	8.03	64.1	10.02	68.0	11.07	72.9	11.13	81.9	11.23	86.5	11.33
	7	46.2	6.39	55.0	8.18	64.1	10.20	68.0	11.27	72.9	11.33	81.9	11.43	86.5	11.54
	10	46.2	7.07	55.0	8.59	64.1	10.16	68.0	10.97	72.9	11.85	81.9	13.41	86.6	13.94
	12	46.2	7.17	55.0	8.71	64.1	10.30	68.0	11.12	72.9	12.08	81.9	13.64	85.3	13.83
	14	46.2	7.29	55.0	8.86	64.1	10.48	68.0	11.32	72.9	12.30	81.9	13.88	84.4	13.72
	16	46.2	7.45	55.0	9.06	64.1	10.71	68.0	11.58	72.9	12.58	81.6	14.19	83.1	14.03
	18	46.2	7.62	55.0	9.26	64.1	10.92	68.0	11.80	72.9	12.82	80.5	14.47	82.2	14.69
	20	46.2	7.74	55.0	9.40	64.1	11.28	68.0	12.42	72.9	13.64	79.2	15.23	80.9	15.46
	21	46.2	7.82	55.0	9.50	64.1	11.66	68.0	12.85	72.9	14.11	78.7	15.75	80.5	15.89
	23	46.2	8.02	55.0	10.15	64.1	12.54	68.0	13.81	72.9	15.17	77.8	16.66	79.2	16.81
	25	46.2	8.53	55.0	10.79	64.1	13.34	68.0	14.69	72.9	16.22	76.5	17.27	78.3	17.42
	27	46.2	9.11	55.0	11.53	64.1	14.32	68.0	15.77	72.9	17.40	75.3	17.88	77.0	18.04
	29	46.2	9.65	55.0	12.32	64.1	15.31	68.0	16.86	72.6	18.44	74.3	18.74	76.0	18.91
	31	46.2	10.27	55.0	13.12	64.1	16.32	68.0	18.17	71.7	19.19	72.6	19.50	74.8	19.67
	33	46.2	10.92	55.0	13.97	64.1	17.40	68.0	19.23	70.4	19.88	72.2	20.06	73.8	20.24
	35	46.2	11.62	55.0	14.88	64.1	18.55	68.0	20.50	69.2	20.60	70.9	20.79	72.6	20.97
	37	46.2	12.38	55.0	15.85	64.1	19.76	67.3	21.24	68.3	21.34	69.8	21.49	71.6	21.69
	39	46.2	13.18	55.0	16.88	64.1	21.04	66.3	21.94	66.7	22.05	69.0	22.20	69.8	22.40
41	43.7	14.64	52.3	18.75	60.9	23.38	65.1	23.78	65.8	23.90	67.5	24.11	69.2	24.33	
43	41.3	15.27	49.7	19.56	59.4	24.64	63.9	25.27	65.0	24.81	66.0	24.73	68.5	24.95	
44	40.7	15.92	49.5	20.38	58.0	25.97	62.3	26.85	63.2	25.75	64.9	25.36	66.8	25.59	
46	39.1	19.4	48.4	24.9	56.7	26.8	60.9	27.1	61.7	26.9	63.5	26.6	65.3	26.8	
47	38.4	21.18	47.9	27.12	56.1	27.27	60.1	27.26	60.9	27.40	62.7	27.23	64.6	27.48	
50	35.1	20.80	42.9	26.63	50.0	28.76	53.6	29.52	54.3	29.26	56.0	29.10	58.1	28.74	
52	27.6	16.07	37.2	20.00	46.0	22.51	50.6	23.63	50.9	22.85	52.1	22.54	55.0	23.15	

Combination	Outdoor air temp (°CDB)	Indoor air temp													
		14.0°C WB		17.0°C WB		18.0°C WB		19.0°C WB		20.0°C WB		22.0°C WB		24.0°C WB	
		20.0°C DB		24.0°C DB		26.0°C DB		27.0°C DB		28.0°C DB		30.0°C DB		32.0°C DB	
		TC	PI	TC	PI	TC	PI	TC	PI	TC	PI	TC	PI	TC	PI
		kW	kW	kW	kW	kW	kW	kW	kW	kW	kW	kW	kW	kW	
90%	-5	41.6	5.44	49.5	6.89	57.7	8.51	61.6	9.40	65.5	10.34	73.6	11.07	81.7	11.16
	0	41.6	5.45	49.5	6.90	57.7	8.52	61.6	9.42	65.5	10.36	73.6	11.09	81.7	11.19
	4	41.6	5.47	49.5	6.93	57.7	8.56	61.6	9.45	65.5	10.40	73.6	11.13	81.7	11.23
	7	41.6	5.58	49.5	7.06	57.7	8.71	61.6	9.63	65.5	10.59	73.6	11.33	81.7	11.44
	10	41.6	6.17	49.5	7.41	57.7	8.68	61.6	9.78	65.6	10.41	73.7	11.93	81.7	13.51
	12	41.6	6.25	49.5	7.51	57.7	8.79	61.6	9.91	65.6	10.61	73.7	12.13	81.7	13.69
	14	41.6	6.36	49.5	7.64	57.7	8.95	61.6	10.06	65.6	10.80	73.7	12.34	81.7	13.91
	16	41.6	6.50	49.5	7.81	57.7	9.15	61.6	10.28	65.6	11.04	73.7	12.62	81.4	14.18
	18	41.6	6.65	49.5	7.99	57.7	9.32	61.6	10.48	65.6	11.25	73.7	12.92	80.7	14.70
	20	41.6	6.75	49.5	8.11	57.7	9.63	61.6	10.70	65.6	11.72	73.7	13.88	79.2	15.31
	21	41.6	6.82	49.5	8.19	57.7	9.96	61.6	11.05	65.6	12.12	73.7	14.35	78.7	15.65
	23	41.6	6.99	49.5	8.75	57.7	10.71	61.6	11.89	65.6	12.98	73.7	15.41	77.5	16.46
	25	41.6	7.44	49.5	9.31	57.7	11.39	61.6	12.69	65.6	13.88	73.7	16.48	76.5	17.13
	27	41.6	7.95	49.5	9.95	57.7	12.23	61.6	13.54	65.6	14.86	73.7	17.59	75.3	17.88
	29	41.6	8.42	49.5	10.63	57.7	13.08	61.6	14.46	65.6	15.86	72.9	18.44	74.3	18.61
	31	41.6	8.96	49.5	11.32	57.7	13.94	61.6	15.44	65.6	16.93	71.7	19.11	73.1	19.36
	33	41.6	9.53	49.5	12.05	57.7	14.86	61.6	16.42	65.6	18.01	70.7	19.88	72.1	20.06
	35	41.6	10.14	49.5	12.83	57.7	15.84	61.6	17.51	65.6	19.26	69.5	20.61	70.9	20.79
	37	41.6	10.80	49.5	13.67	57.7	16.87	60.5	18.14	65.6	20.61	68.2	21.35	69.9	21.29
	39	41.6	11.50	49.5	14.56	57.7	17.97	59.7	18.74	65.6	21.84	67.3	22.14	68.7	22.08
41	39.3	12.77	47.0	16.17	54.8	19.96	58.6	20.31	62.4	22.34	66.1	23.90	67.6	24.12	
43	37.1	13.32	44.7	16.85	53.3	21.05	57.5	21.58	61.1	23.19	65.0	24.51	66.5	24.78	
44	36.6	13.89	44.6	17.58	52.2	22.18	56.1	22.93	59.9	24.07	63.6	25.14	65.2	25.37	
46	35.2	17.0	43.6	21.5	51.0	22.9	54.8	23.2	58.4	25.1	62.2	26.4	63.8	26.6	
47	34.5	18.48	43.1	23.40	50.5	23.29	54.1	23.28	57.7	25.61	61.5	26.99	63.1	27.24	
50	31.6	18.15	38.6	22.97	45.0	24.56	48.3	25.21	51.5	27.35	54.9	28.85	56.7	28.48	
52	24.9	14.98	33.5	18.65	41.4	20.98	45.6	22.03	45.8	21.30	47.4	21.02	49.5	21.58	
80%	-5	37.0	4.70	44.0	5.80	51.3	7.21	54.8	7.94	58.2	8.68	65.5	10.30	72.6	11.03
	0	37.0	4.71	44.0	5.81	51.3	7.22	54.8	7.95	58.2	8.69	65.5	10.32	72.6	11.05
	4	37.0	4.73	44.0	5.83	51.3	7.25	54.8	7.98	58.2	8.72	65.5	10.36	72.6	11.09
	7	37.0	4.82	44.0	5.94	51.3	7.38	54.8	8.13	58.2	8.89	65.5	10.55	72.6	11.30
	10	37.0	5.61	44.0	6.71	51.3	7.90	54.8	8.51	58.3	9.11	65.5	10.41	72.6	12.09
	12	37.0	5.69	44.0	6.82	51.3	8.04	54.8	8.68	58.3	9.29	65.5	10.59	72.6	11.99
	14	37.0	5.80	44.0	6.96	51.3	8.18	54.8	8.81	58.3	9.46	65.5	10.77	72.6	12.26
	16	37.0	5.88	44.0	7.07	51.3	8.34	54.8	8.98	58.3	9.60	65.5	11.02	72.6	12.71
	18	37.0	6.00	44.0	7.21	51.3	8.53	54.8	9.17	58.3	9.79	65.5	11.26	72.6	13.59
	20	37.0	6.11	44.0	7.35	51.3	8.68	54.8	9.34	58.3	10.01	65.5	11.67	72.6	14.08
	21	37.0	6.16	44.0	7.40	51.3	8.76	54.8	9.45	58.3	10.23	65.5	12.10	72.6	15.08
	23	37.0	6.27	44.0	7.57	51.3	9.17	54.8	10.06	58.3	10.94	65.5	12.94	72.6	16.13
	25	37.0	6.46	44.0	8.04	51.3	9.81	54.8	10.75	58.3	11.68	65.5	13.85	72.6	17.21
	27	37.0	6.88	44.0	8.56	51.3	10.44	54.8	11.47	58.3	12.53	65.5	14.78	72.6	17.82
	29	37.0	7.32	44.0	9.12	51.3	11.13	54.8	12.21	58.1	13.36	65.5	15.78	72.6	18.46
	31	37.0	7.76	44.0	9.70	51.3	11.85	54.8	13.01	58.1	14.24	65.5	16.84	71.4	19.13
	33	37.0	8.26	44.0	10.80	51.3	12.63	54.8	13.86	58.1	15.17	65.5	17.97	70.4	19.83
	35	37.0	8.76	44.0	10.80	51.3	13.43	54.8	14.78	58.1	16.16	65.5	19.18	69.2	20.54
	37	37.0	9.28	44.0	11.63	51.3	14.28	53.8	15.74	58.1	17.21	65.5	20.42	68.2	21.31
	39	37.0	9.84	44.0	12.35	51.3	15.20	53.1	16.76	58.1	18.32	65.5	21.75	67.0	22.09
41	34.9	11.04	41.8	13.61	48.7	16.92	52.1	17.15	55.3	18.74	62.4	22.24	66.0	23.83	
43	33.0	11.50	40.6	14.20	47.4	17.82	51.1	18.23	54.0	19.45	61.1	22.81	64.9	24.44	
44	32.5	12.00	39.6	14.80	46.4	18.80	49.9	19.36	53.1	20.19	60.0	23.39	63.7	25.06	
46	31.3	14.6	38.7	18.1	45.4	19.4	48.7	19.6	51.8	21.1	58.7	24.5	62.3	26.3	
47	30.7	15.97	38.3	19.69	44.9	19.74	48.1	19.66	51.1	21.49	58.0	25.12	61.6	26.91	
50	28.1	15.68	34.3	19.34	40.0	20.81	42.9	21.28	45.6	22.94	51.8	26.85	55.4	28.15	
52	22.1	12.64	29.7	15.73	36.8	17.71	40.5	18.59	40.7	17.98	41.7	17.73	44.0	18.21	

GMV6 DC Inverter VRF Units Technical Sales Guide

Combination	Outdoor air temp (°CDB)	Indoor air temp													
		14.0°C WB		17.0°C WB		18.0°C WB		19.0°C WB		20.0°C WB		22.0°C WB		24.0°C WB	
		20.0°C DB		24.0°C DB		26.0°C DB		27.0°C DB		28.0°C DB		30.0°C DB		32.0°C DB	
		TC	PI	TC	PI	TC	PI	TC	PI	TC	PI	TC	PI	TC	PI
70%	-5	32.4	4.01	38.5	4.96	44.9	6.01	47.9	6.59	51.1	7.18	57.2	8.46	63.6	9.84
	0	32.4	4.01	38.5	4.96	44.9	6.02	47.9	6.60	51.1	7.19	57.2	8.47	63.6	9.85
	4	32.4	4.03	38.5	4.98	44.9	6.04	47.9	6.62	51.1	7.22	57.2	8.50	63.6	9.89
	7	32.4	4.10	38.5	5.08	44.9	6.15	47.9	6.75	51.1	7.35	57.2	8.66	63.6	10.07
	10	32.4	4.95	38.5	5.86	44.9	6.82	47.9	7.35	51.0	7.87	57.3	8.95	63.6	10.06
	12	32.4	5.00	38.5	5.94	44.9	6.96	47.9	7.49	51.0	8.01	57.3	9.12	63.6	10.25
	14	32.4	5.08	38.5	6.05	44.9	7.07	47.9	7.60	51.0	8.15	57.3	9.28	63.6	10.44
	16	32.4	5.17	38.5	6.16	44.9	7.21	47.9	7.76	51.0	8.32	57.3	9.45	63.6	10.64
	18	32.4	5.25	38.5	6.27	44.9	7.35	47.9	7.90	51.0	8.45	57.3	9.64	63.6	10.86
	20	32.4	5.33	38.5	6.38	44.9	7.49	47.9	8.04	51.0	8.62	57.3	9.84	63.6	11.16
	21	32.4	5.39	38.5	6.44	44.9	7.54	47.9	8.12	51.0	8.70	57.3	9.95	63.6	11.55
	23	32.4	5.47	38.5	6.55	44.9	7.71	47.9	8.40	51.0	9.14	57.3	10.69	63.6	12.38
	25	32.4	5.58	38.5	6.82	44.9	8.21	47.9	8.98	51.0	9.75	57.3	11.44	63.6	13.23
	27	32.4	5.91	38.5	7.27	44.9	8.76	47.9	9.56	51.0	10.42	57.3	12.21	63.6	14.15
	29	32.4	6.27	38.5	7.71	44.9	9.31	47.9	10.19	51.0	11.08	57.3	13.01	63.6	15.11
	31	32.4	6.63	38.5	8.18	44.9	9.92	47.9	10.83	51.0	11.80	57.3	13.87	63.6	16.11
	33	32.4	7.05	38.5	8.70	44.9	10.55	47.9	11.52	51.0	12.57	57.3	14.78	63.6	17.18
	35	32.4	7.46	38.5	9.23	44.9	11.19	47.9	12.27	51.0	13.37	57.3	15.75	63.6	18.32
	37	32.4	7.87	38.5	9.78	44.9	11.91	47.1	13.04	51.0	14.23	57.3	16.77	63.6	19.51
	39	32.4	8.34	38.5	10.36	44.9	12.63	46.4	13.84	51.0	15.11	57.3	17.82	63.6	20.78
41	30.6	9.40	36.6	11.63	42.6	14.10	45.6	14.23	48.5	15.51	54.6	18.27	60.6	21.25	
43	28.9	9.80	35.5	12.13	41.1	14.86	44.7	15.13	46.1	16.09	53.6	18.73	58.9	21.79	
44	28.5	10.22	34.7	12.64	40.6	15.67	43.6	16.07	46.6	16.71	52.5	19.21	58.5	22.35	
46	27.4	12.5	33.9	15.4	39.7	16.2	42.6	16.2	45.5	17.4	51.3	20.2	57.2	23.4	
47	26.9	13.60	33.5	16.82	39.2	16.45	42.1	16.31	44.9	17.78	50.7	20.63	56.6	24.00	
50	24.6	13.35	30.0	16.52	35.0	17.34	37.5	17.66	40.0	18.99	45.3	22.05	50.9	25.09	
52	19.3	10.49	26.0	13.06	32.2	14.56	35.4	15.43	35.6	14.92	36.5	14.72	38.5	15.11	
60%	-5	27.7	3.37	33.0	4.11	38.4	4.93	41.1	5.37	43.8	5.83	49.2	6.81	54.5	7.86
	0	27.7	3.37	33.0	4.12	38.4	4.93	41.1	5.38	43.8	5.84	49.2	6.82	54.5	7.88
	4	27.7	3.39	33.0	4.13	38.4	4.95	41.1	5.40	43.8	5.86	49.2	6.85	54.5	7.91
	7	27.7	3.45	33.0	4.21	38.4	5.04	41.1	5.50	43.8	5.97	49.2	6.97	54.5	8.05
	10	27.7	4.28	33.0	5.03	38.4	5.83	41.1	6.24	43.7	6.66	49.1	7.54	54.5	8.45
	12	27.7	4.37	33.0	5.11	38.4	5.94	41.1	6.35	43.7	6.77	49.1	7.68	54.5	8.59
	14	27.7	4.42	33.0	5.19	38.4	6.02	41.1	6.46	43.7	6.91	49.1	7.82	54.5	8.76
	16	27.7	4.48	33.0	5.28	38.4	6.13	41.1	6.58	43.7	7.02	49.1	7.96	54.5	8.92
	18	27.7	4.56	33.0	5.36	38.4	6.24	41.1	6.69	43.7	7.16	49.1	8.10	54.5	9.09
	20	27.7	4.61	33.0	5.47	38.4	6.35	41.1	6.82	43.7	7.29	49.1	8.26	54.5	9.28
	21	27.7	4.67	33.0	5.50	38.4	6.41	41.1	6.88	43.7	7.35	49.1	8.34	54.5	9.37
	23	27.7	4.72	33.0	5.61	38.4	6.52	41.1	7.02	43.7	7.49	49.1	8.68	54.5	9.97
	25	27.7	4.81	33.0	5.72	38.4	6.77	41.1	7.35	43.7	7.96	49.1	9.26	54.5	10.64
	27	27.7	5.00	33.0	6.05	38.4	7.21	41.1	7.85	43.7	8.48	49.1	9.86	54.5	11.36
	29	27.7	5.28	33.0	6.41	38.4	7.68	41.1	8.34	43.7	9.03	49.1	10.53	54.5	12.13
	31	27.7	5.61	33.0	6.82	38.4	8.15	41.1	8.87	43.7	9.61	49.1	11.19	54.5	12.90
	33	27.7	5.91	33.0	7.21	38.4	8.65	41.1	9.42	43.7	10.22	49.1	11.91	54.5	13.76
	35	27.7	6.27	33.0	7.65	38.4	9.17	41.1	10.00	43.7	10.86	49.1	12.68	54.5	14.64
	37	27.7	6.63	33.0	8.10	38.4	9.73	40.4	10.61	43.7	11.52	49.1	13.48	54.5	15.58
	39	27.7	6.99	33.0	8.56	38.4	10.31	39.8	11.24	43.7	12.24	49.1	14.31	54.5	16.58
41	26.2	7.90	31.4	9.64	36.5	11.56	39.1	11.60	41.6	12.60	46.8	14.71	52.0	16.99	
43	24.8	8.24	29.8	10.05	35.5	12.18	38.3	12.33	40.4	13.07	46.2	15.08	50.9	17.43	
44	24.4	8.59	29.7	10.48	34.8	12.84	37.4	13.10	39.9	13.57	45.0	15.47	50.2	17.86	
46	23.5	10.5	29.1	12.8	34.0	13.3	36.5	13.2	39.0	14.2	44.0	16.2	49.1	18.7	
47	23.0	11.43	28.7	13.95	33.6	13.48	36.1	13.30	38.5	14.44	43.5	16.61	48.5	19.18	
50	21.1	11.23	25.8	13.70	30.0	14.22	32.2	14.40	34.3	15.42	38.8	17.75	43.6	20.06	
52	16.6	8.55	22.3	10.65	27.6	11.98	30.4	12.58	30.5	12.16	31.3	12.00	33.0	12.32	

Combination	Outdoor air temp (°CDB)	Indoor air temp													
		14.0°C WB		17.0°C WB		18.0°C WB		19.0°C WB		20.0°C WB		22.0°C WB		24.0°C WB	
		20.0°C DB		24.0°C DB		26.0°C DB		27.0°C DB		28.0°C DB		30.0°C DB		32.0°C DB	
		TC	PI	TC	PI	TC	PI	TC	PI	TC	PI	TC	PI	TC	PI
	kW	kW	kW	kW	kW	kW	kW	kW	kW	kW	kW	kW	kW	kW	
50%	-5	23.1	2.79	27.5	3.34	32.0	3.95	34.2	4.27	36.4	4.61	40.9	5.34	45.5	6.11
	0	23.1	2.79	27.5	3.34	32.0	3.95	34.2	4.28	36.4	4.62	40.9	5.35	45.5	6.12
	4	23.1	2.80	27.5	3.36	32.0	3.97	34.2	4.30	36.4	4.64	40.9	5.37	45.5	6.15
	7	23.1	2.86	27.5	3.42	32.0	4.04	34.2	4.38	36.4	4.73	40.9	5.47	45.5	6.26
	10	23.1	3.70	27.5	4.28	32.0	4.89	34.2	5.22	36.4	5.53	40.9	6.22	45.5	6.93
	12	23.1	3.73	27.5	4.34	32.0	4.97	34.2	5.28	36.4	5.64	40.9	6.33	45.5	7.05
	14	23.1	3.79	27.5	4.39	32.0	5.03	34.2	5.39	36.4	5.72	40.9	6.44	45.5	7.18
	16	23.1	3.84	27.5	4.45	32.0	5.11	34.2	5.47	36.4	5.80	40.9	6.55	45.5	7.29
	18	23.1	3.90	27.5	4.53	32.0	5.19	34.2	5.55	36.4	5.91	40.9	6.66	45.5	7.43
	20	23.1	3.95	27.5	4.59	32.0	5.28	34.2	5.66	36.4	6.02	40.9	6.80	45.5	7.57
	21	23.1	3.98	27.5	4.64	32.0	5.33	34.2	5.69	36.4	6.08	40.9	6.85	45.5	7.65
	23	23.1	4.03	27.5	4.70	32.0	5.42	34.2	5.80	36.4	6.19	40.9	6.96	45.5	7.82
	25	23.1	4.09	27.5	4.78	32.0	5.53	34.2	5.91	36.4	6.38	40.9	7.32	45.5	8.34
	27	23.1	4.17	27.5	4.97	32.0	5.83	34.2	6.30	36.4	6.77	40.9	7.79	45.5	8.90
	29	23.1	4.39	27.5	5.25	32.0	6.19	34.2	6.69	36.3	7.21	40.9	8.29	45.5	9.48
	31	23.1	4.64	27.5	5.55	32.0	6.60	34.2	7.10	36.3	7.65	40.9	8.81	45.5	10.08
	33	23.1	4.92	27.5	5.88	32.0	6.96	34.2	7.51	36.3	8.12	40.9	9.37	45.5	10.72
	35	23.1	5.19	27.5	6.22	32.0	7.35	34.2	7.96	36.3	8.59	40.9	9.95	45.5	11.38
	37	23.1	5.47	27.5	6.58	32.0	7.79	33.6	8.43	36.3	9.12	40.9	10.55	45.5	12.10
	39	23.1	5.77	27.5	6.93	32.0	8.23	33.2	8.92	36.3	9.67	40.9	11.19	45.5	12.85
41	21.8	6.54	26.1	7.83	30.4	9.26	32.5	9.23	34.5	9.97	39.0	11.54	43.3	13.20	
43	20.6	6.83	24.8	8.22	29.6	9.75	31.9	9.89	34.0	10.35	37.9	11.84	42.3	13.55	
44	20.3	7.12	24.8	8.52	29.0	10.29	31.2	10.42	33.2	10.74	37.5	12.13	41.8	13.89	
46	19.6	8.7	24.2	10.4	28.4	10.6	30.4	10.5	32.4	11.2	36.7	12.7	40.9	14.6	
47	19.2	9.47	23.9	11.33	28.0	10.80	30.1	10.58	32.0	11.43	36.2	13.03	40.5	14.91	
50	17.6	9.30	21.5	11.13	25.0	11.39	26.8	11.46	28.5	12.20	32.3	13.92	36.4	15.59	
52	13.8	6.80	18.6	8.47	23.0	9.53	25.3	10.01	25.4	9.68	26.0	9.55	27.5	9.80	

GMV6 DC Inverter VRF Units Technical Sales Guide

➤ Rectification of heating capacity
GMV-224WM/G-X

TC—Total capacity of outdoor unit; PI—Power input of outdoor unit

Combination	Outdoor air temp		Indoor air temperature °C DB											
			16		18		20		21		22		24	
	°C DB	°C WB	TC	PI	TC	PI	TC	PI	TC	PI	TC	PI	TC	PI
135%	-19.8	-20.0	20.6	4.42	20.5	4.74	20.5	5.00	20.4	5.16	20.4	5.34	20.4	5.67
	-18.8	-19.0	20.8	4.50	20.7	4.81	20.7	5.05	20.7	5.23	20.6	5.38	20.6	5.71
	-16.7	-17.0	21.1	4.60	21.1	4.90	21.0	5.13	21.0	5.27	21.0	5.43	20.9	5.75
	-13.7	-15.0	21.5	4.70	21.4	4.98	21.4	5.19	21.4	5.34	21.3	5.50	21.3	5.77
	-11.8	-13.0	21.8	4.79	21.7	5.03	21.7	5.22	21.7	5.39	21.6	5.52	21.7	5.81
	-9.8	-11.0	22.2	4.86	22.1	5.10	22.0	5.27	22.1	5.41	22.1	5.54	22.0	5.80
	-9.5	-10.0	22.3	4.88	22.3	5.10	22.3	5.29	22.2	5.40	22.2	5.55	22.2	5.77
	-8.5	-9.1	22.5	4.91	22.5	5.13	22.5	5.28	22.4	5.41	22.4	5.52	22.4	5.78
	-7.0	-7.6	22.8	4.93	22.7	5.13	22.7	5.29	22.7	5.39	22.7	5.53	22.6	5.75
	-5.0	-5.6	24.6	5.25	24.5	5.35	24.5	5.61	24.5	5.71	24.4	5.82	24.4	6.02
	-3.0	-3.7	24.9	5.24	24.8	5.44	24.8	5.55	24.8	5.67	24.8	5.76	24.7	5.96
	0.0	-0.7	25.4	5.21	25.4	5.36	25.3	5.46	25.3	5.55	25.3	5.65	25.3	5.83
	3.0	2.2	26.9	5.32	27.8	5.66	27.8	5.76	27.8	5.84	27.7	5.93	27.7	6.09
	5.0	4.1	31.1	5.99	34.5	6.83	32.7	6.56	31.4	6.42	30.2	6.26	28.2	6.00
	7.0	6.0	33.9	6.36	35.1	6.77	32.7	6.38	31.5	5.56	30.2	6.07	28.5	5.74
	9.0	7.9	33.9	6.19	35.2	6.58	32.7	6.19	31.5	6.04	30.5	5.86	28.5	5.39
	11.0	9.8	33.9	6.01	35.2	6.37	32.7	5.97	31.5	5.73	30.5	5.51	28.5	5.08
	13.0	11.8	34.6	5.93	35.2	6.16	32.7	5.60	31.5	5.37	30.5	5.17	28.5	4.77
	15.0	13.7	36.3	6.03	35.2	5.80	32.7	5.28	31.5	5.06	30.5	4.87	28.5	4.50
	18.0	16.8	36.3	5.71	35.1	5.51	32.7	5.00	31.5	4.81	30.5	4.61	28.5	4.28
20.0	18.5	36.3	5.44	35.1	5.26	32.7	4.78	31.5	4.60	30.5	4.38	28.5	4.08	
24.0	20.5	36.3	5.20	35.1	5.06	32.7	4.59	31.5	4.42	30.5	4.18	28.5	3.94	
120%	-19.8	-20.0	20.5	4.86	20.5	5.15	20.4	5.38	20.4	5.53	20.4	5.68	20.3	6.00
	-18.8	-19.0	20.7	4.92	20.7	5.21	20.6	5.35	20.6	5.59	20.6	5.73	20.5	6.04
	-16.7	-17.0	21.1	5.00	21.0	5.28	20.9	5.45	21.0	5.63	20.9	5.76	20.9	6.07
	-13.7	-15.0	21.4	5.08	21.4	5.33	21.3	5.52	21.3	5.66	21.3	5.81	21.3	6.08
	-11.8	-13.0	21.7	5.14	21.7	5.36	21.7	5.54	21.6	5.66	21.7	5.82	21.6	6.06
	-9.8	-11.0	22.1	5.18	22.0	5.40	22.1	5.55	22.1	5.70	22.0	5.80	22.0	6.06
	-9.5	-10.0	22.3	5.19	22.2	5.40	22.2	5.56	22.2	5.68	22.2	5.74	22.1	6.02
	-8.5	-9.1	22.5	5.21	22.5	5.43	22.4	5.55	22.4	5.67	22.4	5.79	22.3	6.02
	-7.0	-7.6	22.7	5.22	22.7	5.40	22.7	5.53	22.6	5.63	22.6	5.76	22.6	5.95
	-5.0	-5.6	24.5	5.52	24.5	5.71	24.4	5.83	24.4	5.94	24.5	6.06	24.4	6.26
	-3.0	-3.7	24.8	5.50	24.8	5.66	24.7	5.76	24.8	5.86	24.8	5.99	24.7	6.16
	0.0	-0.7	25.4	5.43	25.3	5.56	25.3	5.73	25.3	5.74	25.3	5.85	25.3	6.00
	3.0	2.2	27.7	5.70	27.8	5.86	27.7	5.92	27.7	6.02	27.7	6.10	26.4	5.93
	5.0	4.1	34.5	6.89	32.4	6.65	30.1	6.25	29.0	6.10	28.3	6.03	26.4	5.57
	7.0	6.0	34.7	6.75	32.5	6.43	30.2	6.06	29.2	5.89	28.3	5.66	26.4	5.24
	9.0	7.9	34.8	6.55	32.5	6.26	30.2	5.76	29.2	5.54	28.3	5.32	26.4	4.93
	11.0	9.8	34.8	6.34	32.5	5.97	30.2	5.42	29.2	5.21	28.3	5.01	26.4	4.65
	13.0	11.8	34.8	6.06	32.5	5.60	30.2	5.09	29.2	4.90	28.3	4.71	26.4	4.37
	15.0	13.7	34.8	5.71	32.5	5.27	30.2	4.80	29.2	4.62	28.3	4.45	26.4	4.13
	18.0	16.8	34.8	5.39	32.5	4.99	30.2	4.56	29.2	4.38	28.3	4.21	26.4	3.91
20.0	18.5	34.8	5.11	32.5	4.76	30.2	4.37	29.2	4.17	28.3	4.01	26.4	3.73	
24.0	20.5	34.8	4.86	32.5	4.57	30.2	4.21	29.2	4.00	28.3	3.85	26.4	3.57	

Combination	Outdoor air temp		Indoor air temperature °C DB											
			16		18		20		21		22		24	
	°C DB	°C WB	TC	PI	TC	PI	TC	PI	TC	PI	TC	PI	TC	PI
			kW	kW	kW	kW	kW	kW	kW	kW	kW	kW	kW	kW
110%	-19.8	-20.0	20.5	5.29	20.4	5.56	20.4	5.76	20.4	5.91	20.3	6.04	20.3	6.36
	-18.8	-19.0	20.7	5.34	20.6	5.58	20.5	5.77	20.6	5.92	20.5	6.08	20.5	6.35
	-16.7	-17.0	21.0	5.40	20.9	5.65	20.9	5.80	20.9	5.97	20.9	6.10	20.9	6.39
	-13.7	-15.0	21.4	5.45	21.3	5.69	21.2	5.84	21.3	5.98	21.3	6.12	21.2	6.37
	-11.8	-13.0	21.7	5.50	21.7	5.70	21.6	5.85	21.6	5.95	21.6	6.11	21.5	6.33
	-9.8	-11.0	22.0	5.50	22.0	5.71	22.0	5.83	21.9	5.96	22.0	6.07	21.9	6.27
	-9.5	-10.0	22.2	5.50	22.2	5.71	22.2	5.83	22.1	5.93	22.1	6.04	22.1	6.26
	-8.5	-9.1	22.4	5.51	22.4	5.70	22.4	5.81	22.3	5.90	22.3	6.04	22.3	6.22
	-7.0	-7.6	22.6	5.50	22.6	5.65	22.6	5.78	22.6	5.87	22.6	5.90	22.5	6.17
	-5.0	-5.6	24.5	5.80	24.4	5.98	24.4	6.07	24.4	6.17	24.4	6.00	23.7	6.31
	-3.0	-3.7	24.8	5.75	24.7	5.89	24.7	5.98	24.7	6.08	24.7	5.72	23.7	6.11
	0.0	-0.7	25.3	5.65	25.3	5.78	25.3	5.86	25.2	5.93	26.0	5.94	24.0	5.80
	3.0	2.2	27.7	5.91	27.7	6.06	27.7	6.10	27.0	6.04	25.9	5.77	24.0	5.28
	5.0	4.1	31.9	6.60	29.8	6.29	27.7	5.85	26.6	5.60	26.0	5.44	24.0	4.97
	7.0	6.0	31.9	6.40	29.8	6.06	27.7	5.50	26.6	5.27	26.0	5.11	24.0	4.68
	9.0	7.9	31.9	6.20	29.8	5.71	27.8	5.19	26.7	4.97	26.0	4.81	24.0	4.41
	11.0	9.8	31.9	5.83	29.8	5.37	27.8	4.88	26.7	4.68	26.0	4.54	24.0	4.16
	13.0	11.8	31.9	5.47	29.8	5.04	27.8	4.59	26.7	4.41	26.0	4.27	24.0	3.92
	15.0	13.7	31.9	5.15	29.8	4.75	27.8	4.34	26.7	4.16	26.0	4.04	24.0	3.71
	18.0	16.8	31.9	4.87	29.8	4.51	27.8	3.96	26.7	3.94	26.0	3.85	24.0	3.53
20.0	18.5	31.9	4.62	29.8	4.29	27.8	3.76	26.7	3.75	26.0	3.69	24.0	3.38	
24.0	20.5	31.9	4.41	29.8	4.09	27.8	3.58	26.7	3.60	26.0	3.55	24.0	3.25	
100%	-19.8	-20.0	20.4	5.71	20.4	5.99	20.3	6.11	20.2	6.25	20.2	6.38	20.1	6.66
	-18.8	-19.0	20.5	5.75	20.5	5.96	20.5	6.13	20.4	6.25	20.4	6.41	20.3	6.64
	-16.7	-17.0	20.9	5.78	20.8	6.01	20.7	6.11	20.7	6.24	20.7	6.38	20.6	6.61
	-13.7	-15.0	21.2	5.80	21.2	6.02	21.2	6.13	21.1	6.27	21.0	6.36	20.9	6.59
	-11.8	-13.0	21.6	5.83	21.5	5.99	21.5	6.12	21.4	6.22	21.3	6.08	21.3	6.53
	-9.8	-11.0	21.9	5.81	21.8	5.99	21.8	6.08	21.8	6.17	21.6	6.26	21.3	6.34
	-9.5	-10.0	22.1	5.79	22.1	5.98	22.0	6.05	22.0	6.18	21.8	6.22	21.3	6.28
	-8.5	-9.1	22.2	5.78	22.2	5.93	22.2	6.03	22.1	6.11	21.9	6.20	21.3	6.17
	-7.0	-7.6	22.4	5.74	22.4	5.90	22.4	5.97	22.3	6.05	22.2	6.11	21.3	6.05
	-5.0	-5.6	24.0	5.99	24.0	6.14	24.0	6.20	23.9	6.31	23.5	6.28	22.1	6.06
	-3.0	-3.7	24.4	5.92	24.3	6.04	24.3	6.12	24.1	6.15	23.5	6.08	22.1	5.73
	0.0	-0.7	24.8	5.78	24.8	5.87	24.8	5.94	24.3	5.84	23.5	5.62	22.1	5.21
	3.0	2.2	27.1	6.01	26.9	6.08	25.0	5.50	24.3	5.31	23.5	5.12	22.1	4.74
	5.0	4.1	28.8	6.18	26.9	5.71	25.0	5.17	24.3	5.00	23.5	4.82	22.1	4.47
	7.0	6.0	28.8	5.83	26.9	5.37	25.0	4.80	24.3	4.71	23.5	4.54	22.1	4.22
	9.0	7.9	28.8	5.48	26.9	5.05	25.0	4.56	24.3	4.44	23.5	4.28	22.1	3.98
	11.0	9.8	28.8	5.16	26.9	4.76	25.0	4.31	24.3	4.19	23.5	4.04	22.1	3.76
	13.0	11.8	28.8	4.84	26.9	4.48	25.0	4.06	24.3	3.95	23.5	3.81	22.1	3.55
	15.0	13.7	28.8	4.57	26.9	4.22	25.0	3.84	24.3	3.73	23.5	3.60	22.1	3.36
	18.0	16.8	28.8	4.31	26.9	4.03	25.0	3.71	24.3	3.54	23.5	3.41	22.1	3.20
20.0	18.5	28.8	4.07	26.9	3.87	25.0	3.56	24.3	3.39	23.5	3.25	22.1	3.07	
24.0	20.5	28.8	3.84	26.9	3.74	25.0	3.42	24.3	3.26	23.5	3.12	22.1	2.98	

GMV6 DC Inverter VRF Units Technical Sales Guide

Combination	Outdoor air temp		Indoor air temperature °C DB											
			16		18		20		21		22		24	
	°C DB	°C WB	TC	PI	TC	PI	TC	PI	TC	PI	TC	PI	TC	PI
			kW	kW	kW	kW	kW	kW	kW	kW	kW	kW	kW	kW
90%	-19.8	-20.0	20.3	6.15	20.2	6.37	20.2	6.46	20.2	6.63	20.2	6.78	19.2	6.65
	-18.8	-19.0	20.5	6.17	20.4	6.37	20.4	6.49	20.4	6.63	20.4	6.76	19.2	6.61
	-16.7	-17.0	20.8	6.19	20.8	6.40	20.8	6.50	20.7	6.61	20.8	6.76	19.2	6.47
	-13.7	-15.0	21.2	6.19	21.1	6.38	21.1	6.47	21.1	6.54	21.0	6.70	19.3	6.32
	-11.8	-13.0	21.5	6.18	21.4	6.33	21.5	6.44	21.4	6.54	21.0	6.52	19.3	6.17
	-9.8	-11.0	21.9	6.15	21.9	6.30	21.8	6.37	21.9	6.49	21.1	6.35	19.3	6.00
	-9.5	-10.0	22.1	6.11	22.0	6.29	22.0	6.33	21.9	6.44	21.1	6.28	19.4	5.94
	-8.5	-9.1	22.2	6.09	22.1	6.22	22.1	6.30	21.9	6.34	21.1	6.18	19.7	5.91
	-7.0	-7.6	22.4	6.02	22.4	6.17	22.3	6.23	21.9	6.19	21.0	6.03	19.7	5.65
	-5.0	-5.6	24.0	6.26	23.9	6.40	22.6	6.09	21.8	5.94	21.0	5.75	19.7	5.31
	-3.0	-3.7	24.3	6.17	24.3	5.60	22.6	5.86	21.8	5.63	21.0	5.42	19.7	5.01
	0.0	-0.7	24.8	5.98	24.3	5.23	22.6	5.32	21.8	5.12	21.0	4.92	19.7	4.56
	3.0	2.2	26.0	5.80	24.3	5.34	22.6	4.86	21.8	4.68	21.0	4.50	19.7	4.17
	5.0	4.1	26.0	5.45	24.3	5.03	22.6	4.58	21.8	4.40	21.0	4.24	19.7	3.93
	7.0	6.0	26.0	5.13	24.3	4.73	22.6	4.32	21.8	4.16	21.0	4.00	19.7	3.72
	9.0	7.9	26.0	4.83	24.3	4.46	22.6	4.07	21.8	3.93	21.0	3.78	19.7	3.51
	11.0	9.8	26.0	4.55	24.3	4.20	22.6	3.85	21.8	3.71	21.0	3.57	19.7	3.33
	13.0	11.8	26.0	4.28	24.3	3.97	22.6	3.63	21.8	3.50	21.0	3.38	19.7	3.14
	15.0	13.7	26.0	4.05	24.3	3.75	22.6	3.44	21.8	3.31	21.0	3.20	19.7	2.98
	18.0	16.8	26.0	3.82	24.3	3.54	22.6	3.27	21.7	3.12	21.0	3.04	19.7	2.84
20.0	18.5	26.0	3.61	24.2	3.34	22.6	3.10	21.7	2.94	21.0	2.88	19.7	2.71	
24.0	20.5	26.0	3.41	24.3	3.16	22.6	2.94	21.7	2.78	21.0	2.74	19.7	2.59	
80%	-19.8	-20.0	20.2	6.59	20.2	6.79	20.1	6.84	19.4	6.70	18.7	6.60	17.5	6.36
	-18.8	-19.0	20.4	6.60	20.4	6.77	20.1	6.80	19.4	6.66	18.7	6.52	17.5	6.32
	-16.7	-17.0	20.8	6.59	20.7	6.78	20.2	6.66	19.4	6.51	18.7	6.38	17.6	6.21
	-13.7	-15.0	21.1	6.56	21.1	6.74	20.2	6.51	19.4	6.36	18.7	6.25	17.6	6.05
	-11.8	-13.0	21.4	6.53	21.4	6.67	20.2	6.36	19.4	6.21	18.7	6.08	17.6	5.76
	-9.8	-11.0	21.8	6.45	21.7	6.58	20.2	6.19	19.5	6.03	18.8	5.87	17.6	5.44
	-9.5	-10.0	22.0	6.41	21.7	6.51	20.2	6.09	19.5	5.94	18.8	5.70	17.6	5.28
	-8.5	-9.1	22.1	6.39	21.7	6.41	20.2	6.01	19.5	5.80	18.8	5.55	17.6	5.14
	-7.0	-7.6	22.3	6.31	21.7	6.25	20.2	5.77	19.4	5.52	18.7	5.30	17.6	4.94
	-5.0	-5.6	23.1	5.63	21.6	5.96	20.1	5.39	19.4	5.20	18.7	4.98	17.6	4.63
	-3.0	-3.7	23.1	5.45	21.6	5.61	20.1	5.08	19.4	4.92	18.7	4.70	17.6	4.38
	0.0	-0.7	23.1	5.54	21.6	5.09	20.1	4.63	19.4	4.47	18.7	4.28	17.6	3.99
	3.0	2.2	23.1	5.05	21.6	4.65	20.1	4.23	19.4	4.08	18.7	3.93	17.6	3.66
	5.0	4.1	23.1	4.75	21.6	4.38	20.1	3.99	19.4	3.86	18.7	3.71	17.6	3.46
	7.0	6.0	23.1	4.48	21.6	4.14	20.1	3.77	19.4	3.65	18.7	3.51	17.6	3.28
	9.0	7.9	23.1	4.23	21.6	3.90	20.1	3.59	19.4	3.45	18.7	3.32	17.6	3.11
	11.0	9.8	23.1	3.99	21.6	3.69	20.1	3.38	19.4	3.26	18.7	3.14	17.6	2.95
	13.0	11.8	23.1	3.76	21.6	3.48	20.1	3.20	19.4	3.09	18.7	2.97	17.6	2.78
	15.0	13.7	23.1	3.56	21.6	3.30	20.1	3.03	19.4	2.93	18.7	2.82	17.6	2.65
	18.0	16.8	23.2	3.40	21.6	3.14	20.1	2.89	19.4	2.78	18.7	2.67	17.6	2.53
20.0	18.5	23.2	3.27	21.6	3.01	20.1	2.76	19.4	2.65	18.7	2.55	17.6	2.41	
24.0	20.5	23.2	3.17	21.6	2.91	20.1	2.65	19.4	2.54	18.7	2.43	17.6	2.31	

Combination	Outdoor air temp		Indoor air temperature °C DB											
			16		18		20		21		22		24	
	°C DB	°C WB	TC	PI	TC	PI	TC	PI	TC	PI	TC	PI	TC	PI
			kW	kW	kW	kW	kW	kW	kW	kW	kW	kW	kW	kW
70%	-19.8	-20.0	20.1	7.00	18.9	6.77	17.7	6.35	17.0	6.20	16.4	6.07	15.5	5.85
	-18.8	-19.0	20.3	7.01	18.9	6.70	17.7	6.31	17.0	6.15	16.4	6.02	15.5	5.73
	-16.7	-17.0	20.3	6.86	19.0	6.55	17.7	6.16	17.0	6.01	16.4	5.86	15.5	5.47
	-13.7	-15.0	20.3	6.70	19.0	6.42	17.7	6.01	17.0	50.01	16.4	5.58	15.5	5.20
	-11.8	-13.0	20.3	6.54	19.0	6.23	17.7	5.73	17.0	5.52	16.4	5.29	15.5	4.93
	-9.8	-11.0	20.4	6.36	19.0	6.00	17.8	5.43	17.1	5.22	16.4	5.01	15.5	4.67
	-9.5	-10.0	20.4	6.26	19.0	5.83	17.8	5.28	17.1	5.08	16.4	4.87	15.5	4.54
	-8.5	-9.1	20.4	6.16	19.0	5.67	17.8	5.14	17.1	4.94	16.4	4.75	15.5	4.42
	-7.0	-7.6	20.3	5.88	19.0	5.41	17.7	4.91	17.0	4.73	16.4	4.54	15.5	4.24
	-5.0	-5.6	20.2	5.49	18.9	5.06	17.6	4.60	16.9	4.42	16.4	4.28	15.5	4.00
	-3.0	-3.7	20.2	5.17	18.9	4.77	17.6	4.34	16.9	4.18	16.4	4.04	15.5	3.78
	0.0	-0.7	20.2	4.70	18.9	4.37	17.6	3.97	16.9	3.82	16.4	3.70	15.5	3.46
	3.0	2.2	20.2	4.30	18.9	0.10	17.6	3.64	16.9	3.51	16.4	3.40	15.5	3.18
	5.0	4.1	20.2	4.06	18.9	3.75	17.6	3.45	16.9	3.32	16.4	3.22	15.5	3.01
	7.0	6.0	20.2	3.83	18.9	3.55	17.6	3.26	16.9	3.14	16.4	3.05	15.5	2.86
	9.0	7.9	20.2	3.62	18.9	3.36	17.6	3.09	16.9	2.98	16.4	2.89	15.5	2.71
	11.0	9.8	20.2	3.43	18.9	3.18	17.6	2.93	16.9	2.83	16.4	2.74	15.5	2.58
	13.0	11.8	20.2	3.24	18.9	3.01	17.6	2.77	16.9	2.68	16.4	2.60	15.5	2.45
	15.0	13.7	20.2	3.07	18.9	2.85	17.6	2.63	16.9	2.55	16.4	2.47	15.5	2.33
	18.0	16.8	20.2	2.91	18.9	2.71	17.6	2.51	16.9	2.42	16.4	2.35	15.5	2.23
20.0	18.5	20.2	2.78	18.9	2.58	17.6	2.39	16.9	2.31	16.4	2.25	15.5	2.14	
24.0	20.5	20.2	2.65	18.9	2.47	17.6	2.30	16.9	2.22	16.4	2.17	15.5	2.06	
60%	-19.8	-20.0	17.4	6.46	16.3	6.19	15.1	5.62	14.6	5.40	14.2	5.25	13.3	4.84
	-18.8	-19.0	17.4	6.41	16.3	6.11	15.1	5.51	14.6	5.30	14.2	5.13	13.3	4.73
	-16.7	-17.0	17.4	6.25	16.3	5.87	15.1	5.26	14.6	5.06	14.2	4.90	13.3	4.53
	-13.7	-15.0	17.5	6.05	16.4	5.59	15.2	5.02	14.6	4.83	14.2	4.67	13.3	4.31
	-11.8	-13.0	17.5	5.73	16.4	5.29	15.2	4.76	14.6	4.59	14.2	4.44	13.3	4.10
	-9.8	-11.0	17.5	5.42	16.4	5.01	15.2	4.52	14.7	4.35	14.2	4.20	13.3	3.89
	-9.5	-10.0	17.5	5.27	16.4	4.87	15.2	4.40	14.7	4.24	14.2	4.09	13.3	3.78
	-8.5	-9.1	17.5	5.13	16.4	4.75	15.2	4.29	14.7	4.13	14.2	3.99	13.3	3.69
	-7.0	-7.6	17.5	4.90	16.4	4.54	15.2	4.10	14.6	3.95	14.2	3.82	13.3	3.55
	-5.0	-5.6	17.4	4.58	16.3	4.25	15.1	3.85	14.6	3.71	14.2	3.61	13.3	3.35
	-3.0	-3.7	17.4	4.33	16.3	4.02	15.1	3.66	14.6	3.51	14.2	3.42	13.3	3.17
	0.0	-0.7	17.4	3.95	16.3	3.68	15.1	3.34	14.6	3.23	14.2	3.14	13.3	2.92
	3.0	2.2	17.4	3.63	16.3	3.38	15.1	3.08	14.6	2.97	14.2	2.90	13.3	0.12
	5.0	4.1	17.4	3.43	16.3	3.19	15.1	2.92	14.6	2.82	14.2	2.74	13.3	2.56
	7.0	6.0	17.4	3.25	16.3	3.03	15.1	2.76	14.6	2.67	14.2	2.61	13.3	2.43
	9.0	7.9	17.4	3.07	16.3	2.87	15.1	2.63	14.6	2.54	14.2	2.48	13.3	2.32
	11.0	9.8	17.4	2.92	16.3	2.73	15.1	2.50	14.6	2.41	14.2	2.35	13.3	2.21
	13.0	11.8	17.4	2.76	16.3	2.58	15.1	2.37	14.6	2.29	14.2	2.24	13.3	2.10
	15.0	13.7	17.4	2.63	16.3	2.45	15.1	2.26	14.6	2.18	14.2	2.14	13.3	2.00
	18.0	16.8	17.4	2.51	16.3	2.33	15.1	2.16	14.6	2.09	14.2	2.05	13.3	1.92
20.0	18.5	17.3	2.40	16.3	2.23	15.1	2.07	14.6	2.01	14.2	1.97	13.3	1.85	
24.0	20.5	17.3	2.31	16.3	2.14	15.1	1.99	14.6	1.94	14.2	1.91	13.3	1.78	

GMV6 DC Inverter VRF Units Technical Sales Guide

Combination	Outdoor air temp		Indoor air temperature °C DB											
			16		18		20		21		22		24	
	°C DB	°C WB	TC	PI	TC	PI	TC	PI	TC	PI	TC	PI	TC	PI
50%	-19.8	-20.0	14.5	5.44	13.6	5.01	12.7	4.52	12.1	4.35	11.8	4.23	11.0	3.92
	-18.8	-19.0	14.6	5.32	13.6	4.91	12.7	4.43	12.1	4.26	11.8	4.15	11.0	3.84
	-16.7	-17.0	14.6	5.08	13.6	4.69	12.7	4.25	12.1	4.08	11.8	3.97	11.0	3.68
	-13.7	-15.0	14.6	4.85	13.7	4.48	12.7	4.05	12.2	3.90	11.8	3.79	11.0	3.52
	-11.8	-13.0	14.6	4.61	13.7	4.27	12.7	3.86	12.2	3.72	11.8	3.61	11.0	3.35
	-9.8	-11.0	14.6	4.37	13.7	4.04	12.7	3.67	12.2	3.53	11.9	3.45	11.0	3.19
	-9.5	-10.0	14.6	4.25	13.7	3.93	12.7	3.58	12.2	3.45	11.9	3.36	11.0	3.10
	-8.5	-9.1	14.6	4.14	13.7	3.84	12.7	3.49	12.2	3.36	11.9	3.29	11.0	3.03
	-7.0	-7.6	14.6	3.96	13.7	3.69	12.7	3.35	12.2	3.22	11.9	3.16	11.0	2.92
	-5.0	-5.6	14.5	3.72	13.6	3.45	12.6	3.15	12.1	3.04	11.9	2.99	11.0	2.76
	-3.0	-3.7	14.5	3.52	13.6	3.27	12.6	2.99	12.1	2.88	11.9	2.84	11.0	2.63
	0.0	-0.7	14.5	3.23	13.6	3.01	12.6	2.76	12.1	2.65	11.9	2.62	11.0	2.43
	3.0	2.2	14.5	2.98	13.6	2.77	12.6	2.54	12.1	2.45	11.9	2.42	11.0	2.25
	5.0	4.1	14.5	2.82	13.6	2.63	12.6	2.42	12.1	2.33	11.9	2.30	11.0	2.14
	7.0	6.0	14.5	2.68	13.6	2.50	12.6	2.30	12.1	2.22	11.9	2.19	11.0	2.04
	9.0	7.9	14.5	2.54	13.6	2.38	12.6	2.19	12.1	2.12	11.9	2.09	11.0	1.95
	11.0	9.8	14.5	2.42	13.6	2.26	12.6	2.09	12.1	2.02	11.9	1.99	11.0	1.86
13.0	11.8	14.5	2.30	13.6	2.15	12.6	1.99	12.1	1.92	11.9	1.90	11.0	1.77	
15.0	13.7	14.5	2.19	13.6	2.05	12.6	1.90	12.1	1.83	11.9	1.81	11.0	1.69	
18.0	16.8	14.5	2.08	13.5	1.95	12.6	1.82	12.1	1.76	11.9	1.73	11.0	1.61	
20.0	18.5	14.5	1.98	13.5	1.86	12.6	1.75	12.1	1.70	11.9	1.66	11.0	1.54	
24.0	20.5	14.5	1.89	13.5	1.79	12.6	1.63	12.1	1.64	11.9	1.60	11.0	1.48	

GMV-280WM/G-X

TC—Total capacity of outdoor unit; PI—Power input of outdoor unit

Combination	Outdoor air temp		Indoor air temperature °C DB											
			16		18		20		21		22		24	
	°C DB	°C WB	TC	PI	TC	PI	TC	PI	TC	PI	TC	PI	TC	PI
135%	-19.8	-20.0	26.0	5.62	25.9	6.02	25.8	6.35	25.7	6.55	25.7	6.46	25.7	7.20
	-18.8	-19.0	26.2	5.71	26.1	6.11	26.1	6.41	26.1	6.64	26.0	6.83	25.9	7.25
	-16.7	-17.0	26.6	5.85	26.5	6.22	26.5	6.52	26.5	6.69	26.4	6.90	26.3	7.30
	-13.7	-15.0	27.1	5.97	27.0	6.33	26.9	6.59	26.9	6.78	26.9	6.99	26.8	7.33
	-11.8	-13.0	27.5	6.09	27.4	6.39	27.3	6.63	27.3	6.84	27.3	7.01	27.3	7.38
	-9.8	-11.0	27.9	6.17	27.8	6.48	27.8	6.69	27.8	6.87	27.8	7.04	27.8	7.37
	-9.5	-10.0	28.1	6.19	28.1	6.48	28.1	6.71	28.0	6.86	28.0	7.05	28.0	7.33
	-8.5	-9.1	28.4	6.23	28.3	6.51	28.3	6.71	28.3	6.87	28.2	7.01	28.2	7.34
	-7.0	-7.6	28.7	6.26	28.6	6.51	28.6	6.71	28.6	6.84	28.6	7.02	28.5	7.31
	-5.0	-5.6	31.0	6.67	30.9	6.79	30.9	7.12	30.9	7.25	30.8	7.40	30.7	7.65
	-3.0	-3.7	31.4	6.66	31.3	6.90	31.3	7.05	31.3	7.20	31.2	7.31	31.1	7.57
	0.0	-0.7	32.0	6.61	32.0	6.80	31.9	6.93	31.9	7.05	31.9	7.18	31.9	7.40
	3.0	2.2	35.1	6.99	35.1	7.19	35.0	7.31	35.0	7.42	35.0	7.53	34.9	7.74
	5.0	4.1	43.5	8.45	43.4	8.68	41.2	8.33	39.6	8.16	38.0	7.95	35.5	7.63
	7.0	6.0	47.4	8.98	44.3	8.60	41.2	8.10	39.6	7.07	38.1	7.70	35.9	7.29
	9.0	7.9	47.5	8.73	44.3	8.35	41.2	7.85	39.7	7.67	38.4	7.44	35.9	6.85
	11.0	9.8	47.5	8.48	44.3	8.09	41.2	7.59	39.7	7.27	38.4	6.99	35.9	6.45
13.0	11.8	47.5	8.20	44.3	7.82	41.2	7.11	39.7	6.82	38.4	6.57	35.9	6.05	
15.0	13.7	47.5	7.96	44.3	7.37	41.2	6.70	39.7	6.43	38.4	6.19	35.9	5.71	
18.0	16.8	47.4	7.52	44.2	7.00	41.2	6.35	39.7	6.11	38.4	5.85	35.9	5.43	
20.0	18.5	47.4	7.16	44.2	6.68	41.2	6.06	39.7	5.84	38.4	5.56	35.9	5.19	
24.0	20.5	47.4	6.85	44.2	6.43	41.2	5.83	39.7	5.62	38.4	5.31	35.9	5.00	

Combination	Outdoor air temp		Indoor air temperature °C DB											
			16		18		20		21		22		24	
	°C DB	°C WB	TC	PI	TC	PI	TC	PI	TC	PI	TC	PI	TC	PI
			kW	kW	kW	kW	kW	kW	kW	kW	kW	kW	kW	kW
120%	-19.8	-20.0	25.9	6.17	25.8	6.54	25.7	6.83	25.7	7.02	25.7	7.22	25.6	7.62
	-18.8	-19.0	26.1	6.25	26.0	6.62	26.0	6.79	26.0	7.09	25.9	7.27	25.8	7.67
	-16.7	-17.0	26.5	6.35	26.5	6.71	26.4	6.92	26.4	7.15	26.3	7.32	26.4	7.71
	-13.7	-15.0	27.0	6.45	26.9	6.77	26.9	7.01	26.9	7.19	26.9	7.37	26.8	7.72
	-11.8	-13.0	27.4	6.53	27.3	6.81	27.3	7.03	27.3	7.19	27.3	7.39	27.2	7.69
	-9.8	-11.0	27.8	6.58	27.8	6.86	27.8	7.05	27.8	7.23	27.8	7.37	27.7	7.69
	-9.5	-10.0	28.1	6.59	28.0	6.86	28.0	7.05	28.0	7.21	28.0	7.29	27.9	7.64
	-8.5	-9.1	28.3	6.62	28.3	6.89	28.3	7.04	28.2	7.19	28.2	7.36	28.1	7.64
	-7.0	-7.6	28.6	6.63	28.6	6.86	28.6	7.02	28.5	7.14	28.5	7.31	28.4	7.55
	-5.0	-5.6	30.9	7.01	30.8	7.25	30.8	7.40	30.8	7.54	30.8	7.69	30.7	7.95
	-3.0	-3.7	31.3	6.99	31.2	7.19	31.2	7.31	31.2	7.44	31.2	7.60	31.2	7.82
	0.0	-0.7	32.0	6.89	31.9	7.07	31.9	7.27	31.9	7.29	31.9	7.43	31.8	7.62
	3.0	2.2	35.0	7.24	35.0	7.44	34.9	7.52	34.9	7.64	34.9	7.74	33.3	7.53
	5.0	4.1	43.4	8.75	40.9	8.44	38.0	7.93	36.5	7.75	35.6	7.65	33.3	7.07
	7.0	6.0	43.8	8.57	40.9	8.17	38.0	7.69	36.8	7.48	35.6	7.19	33.3	6.65
	9.0	7.9	43.8	8.32	40.9	7.95	38.1	7.31	36.8	7.03	35.6	6.76	33.3	6.26
	11.0	9.8	43.8	8.06	40.9	7.58	38.1	6.88	36.8	6.62	35.6	6.37	33.3	5.90
	13.0	11.8	43.8	7.70	40.9	7.11	38.1	6.46	36.8	6.22	35.6	5.99	33.3	5.55
	15.0	13.7	43.8	7.25	40.9	6.70	38.1	6.10	36.8	5.86	35.6	5.65	33.3	5.24
	18.0	16.8	43.8	6.85	40.9	6.34	38.1	5.80	36.8	5.56	35.6	5.35	33.3	4.97
20.0	18.5	43.8	6.49	40.9	6.05	38.1	5.55	36.8	5.30	35.6	5.10	33.3	4.73	
24.0	20.5	43.8	6.17	40.9	5.80	38.1	5.34	36.8	5.08	35.6	4.90	33.3	4.54	
110%	-19.8	-20.0	25.8	6.72	25.7	7.06	25.7	7.31	25.7	7.50	25.6	7.67	25.6	8.08
	-18.8	-19.0	26.0	6.78	26.0	7.09	25.9	7.32	25.9	7.51	25.8	7.71	25.8	8.06
	-16.7	-17.0	26.5	6.86	26.4	7.18	26.3	7.36	26.3	7.57	26.3	7.75	26.3	8.11
	-13.7	-15.0	26.9	6.92	26.8	7.23	26.8	7.41	26.8	7.59	26.8	7.77	26.7	8.09
	-11.8	-13.0	27.3	6.98	27.3	7.24	27.3	7.42	27.2	7.56	27.2	7.76	27.1	8.04
	-9.8	-11.0	27.8	6.99	27.7	7.25	27.7	7.40	27.7	7.56	27.7	7.71	27.6	7.97
	-9.5	-10.0	28.0	6.98	28.0	7.25	27.9	7.40	27.9	7.52	27.9	7.67	27.8	7.94
	-8.5	-9.1	28.2	7.00	28.2	7.24	28.2	7.38	28.1	7.49	28.1	7.67	28.1	7.90
	-7.0	-7.6	28.5	6.99	28.5	7.18	28.5	7.33	28.4	7.45	28.4	7.50	28.4	7.83
	-5.0	-5.6	30.8	7.36	30.8	7.59	30.7	7.70	30.7	7.84	30.7	7.62	29.9	8.01
	-3.0	-3.7	31.2	7.31	31.2	7.48	31.1	7.59	31.1	7.72	31.2	7.26	29.9	7.75
	0.0	-0.7	31.9	7.17	31.9	7.35	31.9	7.44	31.8	7.52	32.7	7.54	30.3	7.37
	3.0	2.2	34.9	7.51	34.9	7.69	34.8	7.74	34.0	7.66	32.7	7.33	30.3	6.71
	5.0	4.1	40.2	8.38	37.5	7.99	34.9	7.43	33.5	7.11	32.7	6.90	30.3	6.31
	7.0	6.0	40.2	8.13	37.5	7.70	34.9	6.99	33.6	6.69	32.7	6.49	30.3	5.94
	9.0	7.9	40.2	7.87	37.6	7.25	35.0	6.59	33.6	6.31	32.7	6.11	30.3	5.60
	11.0	9.8	40.2	7.40	37.6	6.82	35.0	6.20	33.6	5.95	32.7	5.76	30.3	5.29
	13.0	11.8	40.2	6.95	37.6	6.40	35.0	5.83	33.6	5.60	32.7	5.42	30.3	4.98
	15.0	13.7	40.2	6.54	37.6	6.03	35.0	5.51	33.6	5.28	32.7	5.13	30.3	4.71
	18.0	16.8	40.2	6.19	37.6	5.73	35.0	5.03	33.6	5.01	32.7	4.89	30.3	4.48
20.0	18.5	40.2	5.87	37.6	5.44	35.0	4.77	33.6	4.77	32.7	4.68	30.3	4.29	
24.0	20.5	40.2	5.60	37.6	5.20	35.0	4.55	33.6	4.57	32.7	4.51	30.3	4.13	

GMV6 DC Inverter VRF Units Technical Sales Guide

Combination	Outdoor air temp		Indoor air temperature °C DB											
			16		18		20		21		22		24	
	°C DB	°C WB	TC	PI	TC	PI	TC	PI	TC	PI	TC	PI	TC	PI
			kW	kW	kW	kW	kW	kW	kW	kW	kW	kW	kW	kW
100%	-19.8	-20.0	25.7	7.25	25.7	7.60	25.6	7.76	25.5	7.93	25.5	8.10	25.4	8.45
	-18.8	-19.0	25.9	7.30	25.8	7.57	25.8	7.78	25.7	7.93	25.7	8.13	25.6	8.43
	-16.7	-17.0	26.3	7.34	26.2	7.63	26.1	7.76	26.1	7.93	26.1	8.11	26.0	8.39
	-13.7	-15.0	26.8	7.37	26.7	7.64	26.7	7.78	26.6	7.96	26.5	8.07	26.4	8.37
	-11.8	-13.0	27.2	7.40	27.1	7.61	27.1	7.77	27.0	7.90	26.9	7.73	26.8	8.29
	-9.8	-11.0	27.6	7.38	27.5	7.61	27.5	7.71	27.4	7.84	27.3	7.95	26.8	8.06
	-9.5	-10.0	27.8	7.35	27.8	7.60	27.7	7.68	27.7	7.85	27.5	7.90	26.8	7.97
	-8.5	-9.1	28.0	7.34	27.9	7.53	27.9	7.65	27.8	7.76	27.7	7.87	26.8	7.84
	-7.0	-7.6	28.3	7.29	28.3	7.49	28.2	7.57	28.1	7.68	28.0	7.76	26.8	7.68
	-5.0	-5.6	30.3	7.60	30.2	7.79	30.2	7.88	30.1	8.01	29.6	7.98	27.8	7.69
	-3.0	-3.7	30.7	7.52	30.6	7.67	30.6	7.77	30.3	7.81	29.6	7.72	27.8	7.27
	0.0	-0.7	31.3	7.34	31.2	7.46	31.2	7.54	30.6	7.42	29.6	7.13	27.8	6.62
	3.0	2.2	34.2	7.63	33.9	7.72	31.5	6.98	30.6	6.75	29.6	6.50	27.8	6.02
	5.0	4.1	36.3	7.85	33.9	7.25	31.5	6.57	30.6	6.35	29.6	6.12	27.8	5.68
	7.0	6.0	36.3	7.41	33.9	6.82	31.5	5.90	30.6	5.99	29.6	5.77	27.8	5.36
	9.0	7.9	36.3	6.96	33.9	6.42	31.5	5.79	30.6	5.64	29.6	5.44	27.8	5.05
	11.0	9.8	36.3	6.55	33.9	6.05	31.5	5.47	30.6	5.32	29.6	5.13	27.8	4.78
	13.0	11.8	36.3	6.15	33.9	5.69	31.5	5.15	30.6	5.02	29.6	4.84	27.8	4.51
	15.0	13.7	36.3	5.80	33.9	5.37	31.5	4.87	30.6	4.74	29.6	4.57	27.8	4.27
	18.0	16.8	36.3	5.47	33.9	5.12	31.5	4.71	30.6	4.50	29.6	4.33	27.8	4.07
20.0	18.5	36.3	5.17	33.9	4.91	31.5	4.52	30.6	4.30	29.6	4.13	27.8	3.90	
24.0	20.5	36.3	4.88	33.9	4.75	31.5	4.35	30.6	4.14	29.6	3.97	27.8	3.78	
90%	-19.8	-20.0	25.6	7.81	25.5	8.09	25.4	8.20	25.5	8.42	25.5	8.60	24.2	8.44
	-18.8	-19.0	25.8	7.84	25.7	8.09	25.7	8.23	25.7	8.41	25.7	8.58	24.2	8.39
	-16.7	-17.0	26.2	7.86	26.2	8.13	26.2	8.24	26.1	8.39	26.2	8.59	24.2	8.21
	-13.7	-15.0	26.7	7.86	26.6	8.11	26.6	8.21	26.6	8.30	26.5	8.50	24.3	8.02
	-11.8	-13.0	27.1	7.85	27.0	8.04	27.0	8.17	27.0	8.30	26.5	8.28	24.3	7.84
	-9.8	-11.0	27.6	7.81	27.6	8.00	27.5	8.08	27.5	8.24	26.6	8.07	24.3	7.62
	-9.5	-10.0	27.8	7.76	27.8	7.99	27.7	8.03	27.7	8.17	26.6	7.98	24.5	7.55
	-8.5	-9.1	27.9	7.73	27.9	7.90	27.9	8.00	27.7	8.04	26.6	7.84	24.8	7.51
	-7.0	-7.6	28.2	7.65	28.2	7.83	28.2	7.91	27.6	7.86	26.5	7.66	24.8	7.17
	-5.0	-5.6	30.2	7.95	30.2	8.13	28.5	7.73	27.4	7.55	26.5	7.30	24.8	6.74
	-3.0	-3.7	30.6	7.84	30.6	7.11	28.5	7.44	27.4	7.15	26.5	6.88	24.8	6.36
	0.0	-0.7	31.2	7.59	30.6	6.64	28.5	6.76	27.4	6.50	26.5	6.25	24.8	5.78
	3.0	2.2	32.7	7.37	30.6	6.79	28.5	6.16	27.4	5.94	26.5	5.71	24.8	5.29
	5.0	4.1	32.7	6.93	30.6	6.38	28.5	5.81	27.4	5.59	26.5	5.39	24.8	4.99
	7.0	6.0	32.7	6.51	30.6	6.01	28.5	5.48	27.4	5.28	26.5	5.08	24.8	4.72
	9.0	7.9	32.7	6.14	30.6	5.66	28.5	5.17	27.4	4.99	26.5	4.80	24.8	4.46
	11.0	9.8	32.7	5.78	30.6	5.34	28.5	4.89	27.4	4.71	26.5	4.54	24.8	4.23
	13.0	11.8	32.7	5.44	30.6	5.04	28.5	4.61	27.4	4.45	26.5	4.29	24.8	3.99
	15.0	13.7	32.7	5.14	30.6	4.76	28.5	4.37	27.4	4.20	26.5	4.06	24.8	3.79
	18.0	16.8	32.7	4.86	30.6	4.50	28.5	4.15	27.4	3.96	26.5	3.86	24.8	3.60
20.0	18.5	32.7	4.59	30.6	4.25	28.5	3.94	27.4	3.74	26.5	3.66	24.8	3.44	
24.0	20.5	32.7	4.33	30.6	4.02	28.5	3.74	27.4	3.53	26.5	3.48	24.8	3.29	

Combination	Outdoor air temp		Indoor air temperature °C DB											
			16		18		20		21		22		24	
	°C DB	°C WB	TC	PI	TC	PI	TC	PI	TC	PI	TC	PI	TC	PI
			kW	kW	kW	kW	kW	kW	kW	kW	kW	kW	kW	kW
80%	-19.8	-20.0	25.5	8.36	25.4	8.62	25.4	8.68	24.4	8.50	23.5	8.38	22.0	8.08
	-18.8	-19.0	25.7	8.39	25.7	8.61	25.4	8.63	24.4	8.45	23.5	8.28	22.0	8.02
	-16.7	-17.0	26.2	8.37	26.1	8.61	25.4	8.46	24.4	8.27	23.6	8.10	22.2	7.89
	-13.7	-15.0	26.6	8.34	26.5	8.55	25.5	8.27	24.5	8.07	23.6	7.94	22.2	7.68
	-11.8	-13.0	27.0	8.29	26.9	8.47	25.5	8.08	24.5	7.88	23.6	7.72	22.2	7.31
	-9.8	-11.0	27.5	8.20	27.4	8.36	25.5	7.85	24.5	7.66	23.6	7.45	22.2	6.91
	-9.5	-10.0	27.7	8.14	27.4	8.27	25.5	7.73	24.5	7.54	23.6	7.24	22.2	6.71
	-8.5	-9.1	27.9	8.11	27.4	8.14	25.5	7.63	24.5	7.36	23.6	7.05	22.2	6.53
	-7.0	-7.6	28.1	8.01	27.3	7.94	25.5	7.32	24.5	7.01	23.6	6.73	22.2	6.27
	-5.0	-5.6	29.2	7.15	27.2	7.57	25.3	6.84	24.5	6.60	23.6	6.33	22.2	5.88
	-3.0	-3.7	29.2	6.92	27.2	7.13	25.3	6.45	24.5	6.25	23.6	5.97	22.2	5.56
	0.0	-0.7	29.2	7.04	27.2	6.47	25.3	5.88	24.5	5.67	23.6	5.44	22.2	5.07
	3.0	2.2	29.2	6.41	27.2	5.90	25.3	5.37	24.5	5.19	23.6	4.98	22.2	4.65
	5.0	4.1	29.2	6.04	27.2	5.57	25.3	5.07	24.5	4.90	23.6	4.71	22.2	4.40
	7.0	6.0	29.2	5.69	27.2	5.26	25.3	4.79	24.5	4.63	23.6	4.46	22.2	4.16
	9.0	7.9	29.2	5.37	27.2	4.96	25.3	4.55	24.5	4.38	23.6	4.21	22.2	3.94
	11.0	9.8	29.2	5.07	27.2	4.69	25.3	4.29	24.5	4.14	23.6	3.99	22.2	3.74
	13.0	11.8	29.2	4.78	27.2	4.42	25.3	4.06	24.5	3.92	23.6	3.77	22.2	3.54
	15.0	13.7	29.2	4.52	27.2	4.19	25.3	3.85	24.5	3.72	23.6	3.58	22.2	3.37
	18.0	16.8	29.2	4.32	27.2	3.99	25.3	3.66	24.5	3.53	23.6	3.40	22.2	3.21
20.0	18.5	29.2	4.15	27.2	3.82	25.3	3.50	24.5	3.37	23.6	3.23	22.2	3.06	
24.0	20.5	29.2	4.03	27.2	3.70	25.3	3.36	24.5	3.22	23.6	3.09	22.2	2.93	
70%	-19.8	-20.0	25.3	8.89	23.8	8.60	22.3	8.06	21.4	7.87	20.6	7.70	19.5	7.43
	-18.8	-19.0	25.6	8.91	23.9	8.51	22.3	8.00	21.4	7.81	20.6	7.64	19.5	7.27
	-16.7	-17.0	25.6	8.71	23.9	8.32	22.3	7.82	21.4	7.63	20.6	7.44	19.5	6.94
	-13.7	-15.0	25.6	8.51	23.9	8.15	22.3	7.63	21.5	7.38	20.7	7.09	19.5	6.60
	-11.8	-13.0	25.6	8.31	23.9	7.92	22.3	7.28	21.5	7.00	20.7	6.72	19.5	6.26
	-9.8	-11.0	25.7	8.07	24.0	7.62	22.4	6.89	21.5	6.63	20.7	6.36	19.5	5.92
	-9.5	-10.0	25.7	7.95	24.0	7.41	22.4	6.70	21.5	6.44	20.7	6.19	19.5	5.76
	-8.5	-9.1	25.7	7.83	24.0	7.21	22.4	6.52	21.5	6.28	20.7	6.03	19.5	5.61
	-7.0	-7.6	25.6	7.46	23.9	6.87	22.3	6.23	21.5	6.00	20.7	5.76	19.5	5.38
	-5.0	-5.6	25.5	6.97	23.8	6.43	22.2	5.84	21.3	5.61	20.7	5.43	19.5	5.08
	-3.0	-3.7	25.5	6.56	23.8	6.06	22.2	5.51	21.3	5.30	20.7	5.13	19.5	4.80
	0.0	-0.7	25.5	5.97	23.8	5.55	22.2	5.04	21.3	4.85	20.7	4.70	19.5	4.40
	3.0	2.2	25.5	5.46	23.8	0.12	22.2	4.62	21.3	4.45	20.7	4.31	19.5	4.04
	5.0	4.1	25.5	5.15	23.8	4.77	22.2	4.38	21.3	4.21	20.7	4.09	19.5	3.83
	7.0	6.0	25.5	4.87	23.8	4.51	22.2	4.14	21.3	3.99	20.7	3.87	19.5	3.63
	9.0	7.9	25.5	4.60	23.8	4.27	22.2	3.92	21.3	3.78	20.7	3.67	19.5	3.44
	11.0	9.8	25.5	4.35	23.8	4.04	22.2	3.72	21.3	3.59	20.7	3.48	19.5	3.27
	13.0	11.8	25.5	4.11	23.8	3.82	22.2	3.52	21.3	3.40	20.7	3.30	19.5	3.11
	15.0	13.7	25.5	3.90	23.8	3.63	22.2	3.34	21.3	3.23	20.7	3.13	19.5	2.96
	18.0	16.8	25.5	3.70	23.8	3.45	22.2	3.18	21.3	3.07	20.7	2.99	19.5	2.83
20.0	18.5	25.5	3.53	23.8	3.28	22.2	3.04	21.3	2.94	20.7	2.86	19.5	2.71	
24.0	20.5	25.5	3.37	23.8	3.13	22.2	2.92	21.3	2.82	20.7	2.75	19.5	2.62	

GMV6 DC Inverter VRF Units Technical Sales Guide

Combination	Outdoor air temp		Indoor air temperature °C DB											
			16		18		20		21		22		24	
	°C DB	°C WB	TC	PI	TC	PI	TC	PI	TC	PI	TC	PI	TC	PI
			kW	kW	kW	kW	kW	kW	kW	kW	kW	kW	kW	kW
60%	-19.8	-20.0	21.9	8.21	20.5	7.87	19.1	7.13	18.4	6.86	17.9	6.66	16.7	6.14
	-18.8	-19.0	22.0	8.14	20.6	7.77	19.1	6.99	18.4	6.72	17.9	6.51	16.7	6.01
	-16.7	-17.0	22.0	7.94	20.6	7.45	19.1	6.68	18.4	6.43	17.9	6.23	16.7	5.75
	-13.7	-15.0	22.0	7.69	20.6	7.09	19.1	6.37	18.5	6.13	17.9	5.93	16.7	5.48
	-11.8	-13.0	22.0	7.28	20.6	6.72	19.1	6.05	18.5	5.82	17.9	5.63	16.7	5.21
	-9.8	-11.0	22.1	6.88	20.7	6.36	19.2	5.74	18.5	5.52	17.9	5.33	16.7	4.94
	-9.5	-10.0	22.1	6.69	20.7	6.19	19.2	5.58	18.5	5.38	17.9	5.19	16.7	4.80
	-8.5	-9.1	22.1	6.52	20.7	6.03	19.2	5.45	18.5	5.24	17.9	5.06	16.7	4.69
	-7.0	-7.6	22.0	6.22	20.6	5.76	19.1	5.20	18.5	5.02	17.9	4.85	16.7	4.50
	-5.0	-5.6	21.9	5.82	20.5	5.40	19.0	4.89	18.3	4.71	17.9	4.58	16.7	4.26
	-3.0	-3.7	21.9	5.50	20.5	5.10	19.0	4.64	18.3	4.46	17.9	4.34	16.7	4.03
	0.0	-0.7	21.9	5.02	20.5	4.67	19.0	4.24	18.3	4.09	17.9	3.99	16.7	3.71
	3.0	2.2	21.9	4.61	20.5	4.29	19.0	3.91	18.3	3.77	17.9	3.68	16.7	0.15
	5.0	4.1	21.9	4.36	20.5	4.06	19.0	3.70	18.3	3.58	17.9	3.48	16.7	3.25
	7.0	6.0	21.9	4.12	20.5	3.84	19.0	3.51	18.3	3.39	17.9	3.31	16.7	3.09
	9.0	7.9	21.9	3.91	20.5	3.64	19.0	3.33	18.3	3.22	17.9	3.14	16.7	2.94
	11.0	9.8	21.9	3.71	20.5	3.46	19.0	3.17	18.3	3.06	17.9	2.99	16.7	2.80
	13.0	11.8	21.9	3.51	20.5	3.28	19.0	3.01	18.3	2.91	17.9	2.84	16.7	2.66
	15.0	13.7	21.9	3.34	20.5	3.11	19.0	2.87	18.3	2.77	17.9	2.71	16.7	2.54
	18.0	16.8	21.9	3.19	20.5	2.96	19.0	2.74	18.3	2.65	17.9	2.60	16.7	2.43
20.0	18.5	21.9	3.05	20.5	2.83	19.0	2.63	18.3	2.55	17.9	2.50	16.7	2.34	
24.0	20.5	21.9	2.93	20.5	2.72	19.0	2.53	18.3	2.46	17.9	2.42	16.7	2.26	
50%	-19.8	-20.0	18.3	6.90	17.1	6.36	15.9	5.73	15.3	5.52	14.9	5.38	13.9	4.98
	-18.8	-19.0	18.3	6.76	17.2	6.24	16.0	5.63	15.3	5.41	14.9	5.26	13.9	4.88
	-16.7	-17.0	18.4	6.46	17.2	5.96	16.0	5.39	15.3	5.18	14.9	5.05	13.9	4.68
	-13.7	-15.0	18.4	6.16	17.2	5.69	16.0	5.15	15.3	4.96	14.9	4.81	13.9	4.47
	-11.8	-13.0	18.4	5.85	17.2	5.42	16.0	4.90	15.3	4.72	14.9	4.58	13.9	4.26
	-9.8	-11.0	18.4	5.55	17.2	5.14	16.0	4.66	15.3	4.48	15.0	4.38	13.9	4.04
	-9.5	-10.0	18.4	5.40	17.2	5.00	16.0	4.54	15.4	4.37	15.0	4.27	13.9	3.94
	-8.5	-9.1	18.4	5.26	17.2	4.88	16.0	4.43	15.4	4.27	15.0	4.17	13.9	3.85
	-7.0	-7.6	18.4	5.04	17.2	4.69	16.0	4.25	15.3	4.09	15.0	4.01	13.9	3.70
	-5.0	-5.6	18.3	4.72	17.1	4.39	15.9	4.00	15.2	3.86	15.0	3.80	13.9	3.51
	-3.0	-3.7	18.3	4.47	17.1	4.16	15.9	3.79	15.2	3.66	15.0	3.60	13.9	3.34
	0.0	-0.7	18.3	4.11	17.1	3.82	15.9	3.50	15.2	3.37	15.0	3.32	13.9	3.08
	3.0	2.2	18.3	3.78	17.1	3.52	15.9	3.23	15.2	3.11	15.0	3.08	13.9	2.86
	5.0	4.1	18.3	3.59	17.1	3.34	15.9	3.07	15.2	2.96	15.0	2.92	13.9	2.72
	7.0	6.0	18.3	3.40	17.1	3.17	15.9	2.92	15.2	2.82	15.0	2.78	13.9	2.59
	9.0	7.9	18.3	3.23	17.1	3.02	15.9	2.78	15.2	2.69	15.0	2.65	13.9	2.47
	11.0	9.8	18.3	3.07	17.1	2.87	15.9	2.65	15.2	2.56	15.0	2.53	13.9	2.36
	13.0	11.8	18.3	2.92	17.1	2.73	15.9	2.52	15.2	2.44	15.0	2.41	13.9	2.25
	15.0	13.7	18.3	2.78	17.1	2.60	15.9	2.41	15.2	2.33	15.0	2.30	13.9	2.14
	18.0	16.8	18.3	2.65	17.0	2.48	15.9	2.31	15.2	2.23	15.0	2.20	13.9	2.05
20.0	18.5	18.3	2.52	17.0	2.37	15.9	2.22	15.2	2.15	15.0	2.11	13.9	1.96	
24.0	20.5	18.3	2.40	17.0	2.27	15.9	2.07	15.2	2.08	15.0	2.03	13.9	1.87	

GMV-335WM/G-X

TC—Total capacity of outdoor unit; PI—Power input of outdoor unit

Combination	Outdoor air temp		Indoor air temperature °C DB											
			16		18		20		21		22		24	
	°C DB	°C WB	TC	PI	TC	PI	TC	PI	TC	PI	TC	PI	TC	PI
135%	-19.8	-20.0	28.6	6.69	28.5	7.17	28.4	7.57	28.4	7.83	28.4	8.10	28.3	8.58
	-18.8	-19.0	28.9	6.82	28.8	7.30	28.7	7.64	28.7	7.91	28.7	8.16	28.6	8.66
	-16.7	-17.0	29.4	7.00	29.3	7.44	29.3	7.80	29.2	7.98	29.2	8.26	29.1	8.71
	-13.7	-15.0	30.0	7.16	29.9	7.59	29.7	7.88	29.8	8.10	29.7	8.35	29.6	8.77
	-11.8	-13.0	30.4	7.29	30.3	7.66	30.2	7.94	30.3	8.19	30.2	8.39	30.1	8.81
	-9.8	-11.0	30.9	7.40	30.9	7.77	30.8	8.03	30.8	8.24	30.8	8.42	30.7	8.81
	-9.5	-10.0	31.2	7.45	31.2	7.80	31.1	8.04	31.0	8.22	31.1	8.45	30.9	8.76
	-8.5	-9.1	31.5	7.49	31.4	7.83	31.4	8.04	31.3	8.23	31.3	8.43	31.3	8.80
	-7.0	-7.6	31.9	7.54	31.8	7.84	31.7	8.03	31.7	8.21	31.6	8.40	31.6	8.75
	-5.0	-5.6	33.2	7.73	33.1	7.86	32.9	8.21	32.9	8.37	32.8	8.53	32.8	8.84
	-3.0	-3.7	34.7	7.97	34.6	8.26	34.6	8.43	34.5	8.59	34.5	8.75	34.4	9.04
	0.0	-0.7	37.5	8.37	37.5	8.63	37.3	8.77	37.3	8.92	37.2	9.07	37.2	9.35
	3.0	2.2	40.4	8.70	40.3	8.95	40.2	9.08	40.2	9.22	40.2	9.37	40.1	9.62
	5.0	4.1	42.5	8.93	42.3	9.16	42.3	9.27	42.2	9.41	42.2	9.54	42.1	9.78
	7.0	6.0	44.6	9.14	44.5	9.35	44.5	9.46	44.4	9.56	44.4	9.71	42.6	9.35
	9.0	7.9	46.9	9.33	46.7	9.53	46.7	9.63	46.6	9.75	45.7	9.58	42.6	8.79
	11.0	9.8	49.2	9.51	49.1	9.70	48.9	9.72	47.2	9.36	45.7	9.00	42.6	8.28
	13.0	11.8	51.9	9.69	51.7	9.88	48.9	9.12	47.2	8.78	45.7	8.45	42.6	7.77
15.0	13.7	54.4	9.86	52.0	9.35	48.9	8.60	47.2	8.28	45.7	7.96	42.6	7.33	
18.0	16.8	54.4	9.33	52.0	8.90	48.9	8.15	47.2	7.87	45.7	7.53	42.6	6.97	
20.0	18.5	54.4	8.88	52.0	8.51	48.9	7.78	47.2	7.52	45.7	7.15	42.6	6.66	
24.0	20.5	54.4	8.50	52.0	8.18	48.9	7.48	47.2	7.23	45.7	6.83	42.6	6.42	
120%	-19.8	-20.0	28.5	7.35	28.4	7.79	28.4	8.15	28.4	8.38	28.3	8.60	28.2	9.09
	-18.8	-19.0	28.8	7.46	28.7	7.91	28.7	8.11	28.6	8.44	28.6	8.69	28.6	9.17
	-16.7	-17.0	29.3	7.60	29.3	8.03	29.2	8.28	29.1	8.53	29.2	8.76	29.1	9.21
	-13.7	-15.0	29.8	7.70	29.7	8.09	29.7	8.36	29.7	8.59	29.6	8.79	29.6	9.21
	-11.8	-13.0	30.3	7.82	30.2	8.15	30.2	8.40	30.2	8.61	30.1	8.83	30.1	9.18
	-9.8	-11.0	30.9	7.89	30.8	8.23	30.7	8.42	30.8	8.66	30.7	8.82	30.6	9.20
	-9.5	-10.0	31.2	7.92	31.1	8.25	31.0	8.45	31.0	8.62	31.0	8.74	30.9	9.17
	-8.5	-9.1	31.4	7.95	31.4	8.27	31.3	8.43	31.2	8.62	31.3	8.82	31.2	9.16
	-7.0	-7.6	31.7	7.95	31.7	8.22	31.6	8.40	31.6	8.58	31.6	8.75	31.5	9.04
	-5.0	-5.6	33.1	8.12	32.9	8.39	32.8	8.54	32.8	8.70	32.8	8.86	32.7	9.15
	-3.0	-3.7	34.6	8.36	34.6	8.62	34.5	8.75	34.5	8.90	34.4	9.06	34.4	9.33
	0.0	-0.7	37.3	8.71	37.3	8.95	37.2	9.18	37.2	9.21	37.1	9.35	37.1	9.62
	3.0	2.2	40.3	9.03	40.2	9.25	40.2	9.36	40.1	9.50	40.1	9.62	39.3	9.60
	5.0	4.1	42.3	9.23	42.2	9.44	42.2	9.54	42.1	9.66	42.1	9.79	39.3	9.02
	7.0	6.0	44.5	9.42	44.5	9.62	44.4	9.71	43.7	9.59	42.2	9.22	39.3	8.49
	9.0	7.9	46.7	9.61	46.6	9.79	45.1	9.37	43.7	9.02	42.2	8.68	39.3	7.99
	11.0	9.8	49.1	9.78	48.1	9.64	45.1	8.82	43.7	8.49	42.2	8.17	39.3	7.53
	13.0	11.8	50.9	9.68	48.1	9.04	45.1	8.27	43.7	7.98	42.2	7.68	39.3	7.08
15.0	13.7	50.9	9.11	48.1	8.51	45.1	7.81	43.7	7.52	42.2	7.25	39.3	6.69	
18.0	16.8	50.9	8.61	48.1	8.06	45.1	7.42	43.7	7.13	42.2	6.86	39.3	6.34	
20.0	18.5	50.9	8.16	48.1	7.69	45.1	7.10	43.7	6.80	42.2	6.54	39.3	6.04	
24.0	20.5	50.9	7.76	48.1	7.38	45.1	6.84	43.7	6.52	42.2	6.28	39.3	5.79	

GMV6 DC Inverter VRF Units Technical Sales Guide

Combination	Outdoor air temp		Indoor air temperature °C DB											
			16		18		20		21		22		24	
	°C DB	°C WB	TC	PI	TC	PI	TC	PI	TC	PI	TC	PI	TC	PI
			kW	kW	kW	kW	kW	kW	kW	kW	kW	kW	kW	kW
110%	-19.8	-20.0	28.4	8.01	28.3	8.42	28.3	8.71	28.3	8.94	28.2	9.14	28.2	9.60
	-18.8	-19.0	28.7	8.09	28.7	8.47	28.6	8.75	28.5	8.95	28.6	9.22	28.5	9.62
	-16.7	-17.0	29.2	8.18	29.1	8.57	29.0	8.78	29.1	9.04	29.1	9.27	29.0	9.68
	-13.7	-15.0	29.7	8.27	29.7	8.64	29.6	8.86	29.6	9.07	29.6	9.25	29.6	9.68
	-11.8	-13.0	30.2	8.36	30.2	8.66	30.1	8.86	30.1	9.06	30.1	9.26	30.0	9.60
	-9.8	-11.0	30.8	8.39	30.7	8.70	30.7	8.85	30.7	9.08	30.6	9.23	30.6	9.53
	-9.5	-10.0	31.0	8.37	30.9	8.67	30.9	8.85	30.9	9.02	30.9	9.20	30.9	9.53
	-8.5	-9.1	31.3	8.38	31.3	8.71	31.2	8.84	31.2	8.98	31.2	9.19	31.1	9.47
	-7.0	-7.6	31.7	8.39	31.6	8.62	31.5	8.77	31.6	8.95	31.5	8.98	31.4	9.38
	-5.0	-5.6	32.9	8.51	32.8	8.76	32.7	8.88	32.7	9.03	34.3	9.18	32.6	9.46
	-3.0	-3.7	34.5	8.73	34.5	8.96	34.4	9.08	34.4	9.22	37.1	9.36	34.3	9.62
	0.0	-0.7	37.2	9.06	37.2	9.27	37.1	9.37	37.1	9.50	38.7	9.64	36.0	9.48
	3.0	2.2	40.2	9.36	40.1	9.56	40.1	9.63	40.0	9.75	38.7	9.38	36.0	8.63
	5.0	4.1	42.2	9.54	42.2	9.73	41.4	9.52	40.0	9.17	38.7	8.83	36.0	8.12
	7.0	6.0	44.4	9.71	44.0	9.77	41.4	8.95	40.0	8.62	38.7	8.30	36.0	7.64
	9.0	7.9	47.2	9.99	44.0	9.19	41.4	8.43	40.0	8.12	38.7	7.81	36.0	7.21
	11.0	9.8	47.7	9.50	44.0	8.64	41.4	7.94	40.0	7.65	38.7	7.37	36.0	6.80
	13.0	11.8	47.7	8.91	44.5	8.20	41.4	7.46	40.0	7.20	38.7	6.93	36.0	6.40
	15.0	13.7	47.7	8.39	44.5	7.73	41.4	7.05	40.0	6.80	38.7	6.56	36.0	6.06
	18.0	16.8	47.7	7.94	44.5	7.33	41.4	6.44	40.0	6.45	38.7	6.25	36.0	5.77
20.0	18.5	47.7	7.54	44.5	6.97	41.4	6.11	40.0	6.13	38.7	5.99	36.0	5.52	
24.0	20.5	47.7	7.19	44.5	6.65	41.4	5.82	40.0	5.88	38.7	5.77	36.0	5.31	
100%	-19.8	-20.0	28.4	8.69	28.2	9.01	28.1	9.19	28.1	9.46	28.0	9.62	27.9	10.05
	-18.8	-19.0	28.5	8.70	28.4	9.02	28.4	9.26	28.3	9.45	28.3	9.69	28.2	10.05
	-16.7	-17.0	29.0	8.76	28.9	9.11	28.8	9.26	28.8	9.46	28.8	9.68	28.7	10.02
	-13.7	-15.0	29.6	8.82	29.5	9.14	29.4	9.27	29.4	9.52	29.2	9.62	29.2	10.02
	-11.8	-13.0	30.1	8.87	30.0	9.12	29.9	9.28	29.9	9.46	29.7	9.23	29.6	9.91
	-9.8	-11.0	30.6	8.85	30.5	9.14	30.4	9.23	30.5	9.41	30.2	9.52	30.1	9.79
	-9.5	-10.0	30.8	8.82	30.7	9.09	30.6	9.18	30.7	9.38	30.5	9.48	30.4	9.78
	-8.5	-9.1	31.0	8.80	30.9	9.03	30.9	9.17	30.9	9.30	30.7	9.43	30.6	9.69
	-7.0	-7.6	31.4	8.76	31.3	8.97	31.2	9.07	31.2	9.23	31.0	9.30	31.0	9.61
	-5.0	-5.6	32.8	8.91	32.7	9.13	32.7	9.22	32.6	9.37	32.6	9.50	32.6	9.76
	-3.0	-3.7	34.4	9.11	34.4	9.32	34.3	9.40	34.3	9.53	34.3	9.67	32.8	9.29
	0.0	-0.7	37.1	9.41	37.1	9.60	37.0	9.67	36.4	9.54	35.2	9.17	32.8	8.45
	3.0	2.2	40.1	9.67	40.0	9.85	37.6	9.00	36.4	8.68	35.2	8.36	32.8	7.69
	5.0	4.1	42.1	9.85	40.0	9.25	37.6	8.47	36.4	8.17	35.2	7.87	32.8	7.26
	7.0	6.0	42.3	9.35	40.0	8.70	37.5	7.80	36.4	7.70	35.2	7.42	32.8	6.84
	9.0	7.9	42.3	8.78	40.5	8.29	37.6	7.47	36.4	7.26	35.2	6.99	32.8	6.46
	11.0	9.8	43.4	8.48	40.5	7.82	37.6	7.06	36.4	6.84	35.2	6.60	32.8	6.10
	13.0	11.8	43.4	7.96	40.5	7.35	37.6	6.65	36.4	6.45	35.2	6.23	32.8	5.76
	15.0	13.7	43.4	7.51	40.5	6.94	37.6	6.28	36.4	6.10	35.2	5.88	32.8	5.46
	18.0	16.8	43.4	7.08	40.5	6.62	37.6	6.08	36.4	5.79	35.2	5.57	32.8	5.20
20.0	18.5	43.4	6.68	40.5	6.35	37.6	5.83	36.4	5.53	35.2	5.31	32.8	4.99	
24.0	20.5	43.4	6.32	40.5	6.14	37.6	5.61	36.4	5.33	35.2	5.11	32.8	4.83	

Combination	Outdoor air temp		Indoor air temperature °C DB											
			16		18		20		21		22		24	
	°C DB	°C WB	TC	PI	TC	PI	TC	PI	TC	PI	TC	PI	TC	PI
90%	-19.8	-20.0	28.2	9.31	28.1	9.65	28.0	9.78	28.1	10.04	28.0	10.23	28.0	10.57
	-18.8	-19.0	28.4	9.34	28.3	9.65	28.3	9.81	28.3	10.02	28.4	10.23	28.2	10.59
	-16.7	-17.0	28.9	9.39	28.9	9.71	28.8	9.81	28.9	10.02	28.9	10.25	28.8	10.55
	-13.7	-15.0	29.5	9.40	29.4	9.70	29.4	9.79	29.4	9.93	29.3	10.18	28.9	10.34
	-11.8	-13.0	30.0	9.40	29.9	9.64	29.9	9.76	29.9	9.95	29.9	10.08	28.9	10.10
	-9.8	-11.0	30.5	9.32	30.5	9.57	30.4	9.67	30.5	9.86	30.4	9.99	29.0	9.82
	-9.5	-10.0	30.8	9.30	30.7	9.55	30.6	9.60	30.7	9.81	30.7	9.98	29.1	9.71
	-8.5	-9.1	31.0	9.27	30.9	9.47	30.8	9.56	30.9	9.72	30.9	9.88	29.5	9.66
	-7.0	-7.6	31.3	9.20	31.2	9.38	31.2	9.47	31.2	9.62	31.2	9.74	29.5	9.23
	-5.0	-5.6	32.7	9.31	32.6	9.51	32.6	9.56	32.6	9.69	31.6	9.42	29.5	8.68
	-3.0	-3.7	34.3	9.49	34.3	8.63	33.9	9.57	32.7	9.22	31.6	8.88	29.5	8.18
	0.0	-0.7	37.1	9.76	36.0	8.47	33.9	8.70	32.7	8.38	31.6	8.07	29.5	7.44
	3.0	2.2	38.2	9.30	36.0	8.66	33.9	7.93	32.7	7.65	31.6	7.37	29.5	6.81
	5.0	4.1	38.2	8.74	36.4	8.23	33.9	7.48	32.7	7.21	31.6	6.96	29.5	6.42
	7.0	6.0	39.0	8.40	36.4	7.75	33.9	7.05	32.7	6.81	31.6	6.57	29.5	6.07
	9.0	7.9	39.0	7.91	36.4	7.30	33.9	6.65	32.7	6.43	31.6	6.20	29.5	5.74
	11.0	9.8	39.0	7.45	36.4	6.88	33.9	6.29	32.7	6.08	31.6	5.86	29.5	5.44
	13.0	11.8	39.0	7.01	36.4	6.49	33.9	5.93	32.7	5.74	31.6	5.54	29.5	5.13
15.0	13.7	39.0	6.63	36.4	6.13	33.9	5.62	32.7	5.42	31.6	5.25	29.5	4.87	
18.0	16.8	39.0	6.26	36.4	5.79	33.9	5.34	32.7	5.12	31.6	4.98	29.5	4.63	
20.0	18.5	39.0	5.92	36.4	5.47	33.9	5.07	32.7	4.83	31.6	4.73	29.5	4.43	
24.0	20.5	39.0	5.59	36.4	5.17	33.9	4.81	32.7	4.56	31.6	4.49	29.5	4.23	
80%	-19.8	-20.0	28.0	9.94	28.0	10.28	28.0	10.35	28.0	10.56	27.9	10.77	25.6	10.18
	-18.8	-19.0	28.3	9.99	28.3	10.26	28.2	10.37	28.3	10.57	28.0	10.64	25.7	10.12
	-16.7	-17.0	28.9	10.00	28.8	10.28	28.7	10.34	28.8	10.53	28.0	10.41	25.7	9.87
	-13.7	-15.0	29.3	9.94	29.4	10.24	29.3	10.29	29.1	10.39	28.1	10.21	25.9	9.70
	-11.8	-13.0	29.8	9.91	29.9	10.16	29.8	10.22	29.1	10.15	28.1	9.92	26.3	9.37
	-9.8	-11.0	30.4	9.82	30.3	10.01	30.3	10.11	29.2	9.86	28.1	9.58	26.3	8.85
	-9.5	-10.0	30.7	9.78	30.6	10.00	30.4	9.95	29.2	9.70	28.1	9.31	26.3	8.59
	-8.5	-9.1	30.9	9.73	30.8	9.91	30.4	9.82	29.2	9.47	28.1	9.07	26.3	8.36
	-7.0	-7.6	31.1	9.60	31.2	9.80	30.3	9.42	29.1	9.02	28.2	8.69	26.3	8.03
	-5.0	-5.6	32.6	8.65	32.0	9.64	30.1	8.80	29.1	8.49	28.2	8.17	26.3	7.53
	-3.0	-3.7	33.9	8.70	32.3	9.17	30.1	8.29	29.1	8.04	28.2	7.71	26.3	7.12
	0.0	-0.7	33.9	8.85	32.3	8.32	30.1	7.56	29.1	7.30	28.2	7.03	26.3	6.50
	3.0	2.2	34.7	8.25	32.3	7.59	30.1	6.91	29.1	6.67	28.2	6.44	26.3	5.96
	5.0	4.1	34.7	7.77	32.3	7.16	30.1	6.52	29.1	6.30	28.2	6.09	26.3	5.63
	7.0	6.0	34.7	7.32	32.3	6.77	30.1	6.16	29.1	5.96	28.2	5.76	26.3	5.33
	9.0	7.9	34.7	6.91	32.3	6.37	30.1	5.86	29.1	5.63	28.2	5.44	26.3	5.05
	11.0	9.8	34.7	6.53	32.3	6.02	30.1	5.52	29.1	5.33	28.2	5.15	26.3	4.79
	13.0	11.8	34.7	6.15	32.3	5.69	30.1	5.22	29.1	5.04	28.2	4.87	26.3	4.53
15.0	13.7	34.7	5.82	32.3	5.39	30.1	4.95	29.1	4.78	28.2	4.63	26.3	4.31	
18.0	16.8	34.7	5.55	32.3	5.12	30.1	4.71	29.1	4.55	28.2	4.39	26.3	4.11	
20.0	18.5	34.7	5.34	32.3	4.91	30.1	4.51	29.1	4.34	28.2	4.18	26.3	3.92	
24.0	20.5	34.7	5.18	32.3	4.75	30.1	4.32	29.1	4.15	28.2	3.99	26.3	3.76	

GMV6 DC Inverter VRF Units Technical Sales Guide

Combination	Outdoor air temp		Indoor air temperature °C DB											
			16		18		20		21		22		24	
	°C DB	°C WB	TC	PI	TC	PI	TC	PI	TC	PI	TC	PI	TC	PI
			kW	kW	kW	kW	kW	kW	kW	kW	kW	kW	kW	kW
70%	-19.8	-20.0	27.9	10.61	27.9	10.88	26.5	10.37	25.4	10.11	24.4	9.88	22.9	9.45
	-18.8	-19.0	28.2	10.62	28.2	10.87	26.5	10.30	25.5	10.04	24.5	9.80	22.9	9.26
	-16.7	-17.0	28.7	10.58	28.5	10.75	26.5	10.06	25.5	9.80	24.6	9.59	22.9	8.83
	-13.7	-15.0	29.3	10.52	28.6	10.54	26.6	9.81	25.5	80.85	24.6	9.12	22.9	8.40
	-11.8	-13.0	29.8	10.45	28.6	10.23	26.6	9.37	25.5	9.00	24.6	8.65	22.9	7.97
	-9.8	-11.0	30.3	10.32	28.6	9.85	26.6	8.87	25.6	8.52	24.6	8.18	22.9	7.54
	-9.5	-10.0	30.5	10.22	28.6	9.57	26.6	8.62	25.6	8.28	24.6	7.95	22.9	7.33
	-8.5	-9.1	30.6	10.10	28.6	9.31	26.6	8.39	25.6	8.07	24.6	7.74	22.9	7.15
	-7.0	-7.6	30.6	9.63	28.6	8.88	26.6	8.02	25.5	7.71	24.6	7.41	22.9	6.85
	-5.0	-5.6	30.4	9.00	28.4	8.30	26.4	7.51	25.4	7.22	24.6	6.98	22.9	6.46
	-3.0	-3.7	30.4	8.47	28.4	7.83	26.4	7.10	25.4	6.82	24.6	6.60	22.9	6.11
	0.0	-0.7	30.4	7.71	28.4	7.17	26.4	6.48	25.4	6.24	24.6	6.04	22.9	5.60
	3.0	2.2	30.4	7.05	28.4	6.63	26.4	5.95	25.4	5.72	24.6	5.55	22.9	5.14
	5.0	4.1	30.4	6.65	28.4	6.16	26.4	5.63	25.4	5.42	24.6	5.26	22.9	4.87
	7.0	6.0	30.4	6.28	28.4	5.83	26.4	5.32	25.4	5.13	24.6	4.98	22.9	4.62
	9.0	7.9	30.4	5.94	28.4	5.51	26.4	5.05	25.4	4.86	24.6	4.72	22.9	4.38
	11.0	9.8	30.4	5.62	28.4	5.22	26.4	4.79	25.4	4.61	24.6	4.48	22.9	4.16
	13.0	11.8	30.4	5.31	28.4	4.94	26.4	4.53	25.4	4.38	24.6	4.24	22.9	3.96
	15.0	13.7	30.4	5.03	28.4	4.68	26.4	4.30	25.4	4.16	24.6	4.03	22.9	3.77
	18.0	16.8	30.4	4.77	28.4	4.45	26.4	4.09	25.4	3.97	24.6	3.85	22.9	3.60
20.0	18.5	30.4	4.55	28.4	4.24	26.4	3.91	25.4	3.79	24.6	3.68	22.9	3.46	
24.0	20.5	30.4	4.35	28.4	4.05	26.4	3.75	25.4	3.64	24.6	3.54	22.9	3.33	
60%	-19.8	-20.0	26.2	10.59	24.4	10.10	22.7	9.18	21.8	8.80	21.2	8.51	19.7	7.85
	-18.8	-19.0	26.2	10.51	24.4	9.97	22.7	9.00	21.8	8.63	21.2	8.33	19.7	7.68
	-16.7	-17.0	26.2	10.25	24.4	9.57	22.7	8.60	21.9	8.25	21.2	7.96	19.7	7.35
	-13.7	-15.0	26.3	9.92	24.5	9.10	22.8	8.20	21.9	7.87	21.2	7.58	19.7	7.00
	-11.8	-13.0	26.3	9.39	24.5	8.62	22.8	7.78	21.9	7.47	21.2	7.20	19.7	6.66
	-9.8	-11.0	26.3	8.88	24.5	8.17	22.8	7.39	21.9	7.08	21.2	6.82	19.7	6.32
	-9.5	-10.0	26.3	8.64	24.5	7.95	22.8	7.18	21.9	6.90	21.2	6.64	19.7	6.14
	-8.5	-9.1	26.3	8.41	24.5	7.74	22.8	7.01	21.9	6.73	21.2	6.47	19.7	5.99
	-7.0	-7.6	26.3	8.02	24.5	7.40	22.8	6.70	21.9	6.44	21.2	6.20	19.7	5.76
	-5.0	-5.6	26.1	7.51	24.3	6.93	22.6	6.29	21.9	6.07	21.2	5.86	19.7	5.44
	-3.0	-3.7	26.1	7.10	24.3	6.55	22.6	5.98	21.9	5.75	21.2	5.55	19.7	5.15
	0.0	-0.7	26.1	6.48	24.3	5.99	22.6	5.46	21.9	5.28	21.2	5.10	19.7	4.74
	3.0	2.2	26.1	5.94	24.3	5.51	22.6	5.03	21.9	4.86	21.2	4.71	19.7	0.19
	5.0	4.1	26.1	5.62	24.3	5.21	22.6	4.77	21.9	4.61	21.2	4.46	19.7	4.15
	7.0	6.0	26.1	5.32	24.3	4.93	22.6	4.52	21.9	4.37	21.2	4.24	19.7	3.95
	9.0	7.9	26.1	5.04	24.3	4.68	22.6	4.29	21.9	4.16	21.2	4.02	19.7	3.76
	11.0	9.8	26.1	4.78	24.3	4.44	22.6	4.09	21.9	3.95	21.2	3.82	19.7	3.58
	13.0	11.8	26.1	4.52	24.3	4.21	22.6	3.88	21.9	3.75	21.2	3.64	19.7	3.40
	15.0	13.7	26.1	4.31	24.3	4.00	22.6	3.69	21.9	3.58	21.2	3.47	19.7	3.25
	18.0	16.8	26.1	4.11	24.3	3.80	22.6	3.52	21.9	3.42	21.2	3.32	19.7	3.11
20.0	18.5	26.1	3.94	24.3	3.63	22.6	3.38	21.9	3.29	21.2	3.20	19.7	3.00	
24.0	20.5	26.1	3.79	24.3	3.48	22.6	3.25	21.9	3.17	21.2	3.10	19.7	2.89	

Combination	Outdoor air temp		Indoor air temperature °C DB											
			16		18		20		21		22		24	
	°C DB	°C WB	TC	PI	TC	PI	TC	PI	TC	PI	TC	PI	TC	PI
50%	-19.8	-20.0	21.8	8.86	20.4	8.18	19.0	7.37	18.2	7.12	17.6	6.86	16.4	6.35
	-18.8	-19.0	21.8	8.68	20.4	8.02	19.0	7.24	18.2	6.97	17.6	6.72	16.4	6.23
	-16.7	-17.0	21.8	8.29	20.4	7.67	19.0	6.93	18.2	6.68	17.6	6.44	16.4	5.97
	-13.7	-15.0	21.8	7.91	20.4	7.32	19.0	6.62	18.3	6.39	17.6	6.15	16.4	5.70
	-11.8	-13.0	21.8	7.51	20.4	6.97	19.0	6.30	18.3	6.08	17.6	5.85	16.4	5.43
	-9.8	-11.0	21.9	7.12	20.5	6.60	19.1	6.00	18.3	5.78	17.6	5.56	16.4	5.16
	-9.5	-10.0	21.9	6.93	20.5	6.42	19.1	5.85	18.3	5.64	17.6	5.41	16.4	5.03
	-8.5	-9.1	21.9	6.76	20.5	6.27	19.1	5.70	18.3	5.51	17.6	5.29	16.4	4.91
	-7.0	-7.6	21.8	6.47	20.4	6.03	19.0	5.46	18.3	5.28	17.6	5.08	16.4	4.73
	-5.0	-5.6	21.7	6.06	20.3	5.64	18.9	5.15	18.2	4.97	17.6	4.82	16.4	4.48
	-3.0	-3.7	21.7	5.74	20.3	5.34	18.9	4.88	18.2	4.71	17.6	4.57	16.4	4.26
	0.0	-0.7	21.7	5.27	20.3	4.91	18.9	4.50	18.2	4.34	17.6	4.22	16.4	3.94
	3.0	2.2	21.7	4.85	20.3	4.53	18.9	4.15	18.2	4.01	17.6	3.91	16.4	3.64
	5.0	4.1	21.7	4.61	20.3	4.29	18.9	3.95	18.2	3.82	17.6	3.71	16.4	3.47
	7.0	6.0	21.7	4.37	20.3	4.08	18.9	3.76	18.2	3.63	17.6	3.53	16.4	3.31
	9.0	7.9	21.7	4.15	20.3	3.88	18.9	3.58	18.2	3.47	17.6	3.37	16.4	3.15
	11.0	9.8	21.7	3.94	20.3	3.69	18.9	3.41	18.2	3.30	17.6	3.21	16.4	3.01
	13.0	11.8	21.7	3.75	20.3	3.51	18.9	3.24	18.2	3.15	17.6	3.05	16.4	2.87
15.0	13.7	21.7	3.57	20.3	3.35	18.9	3.10	18.2	3.00	17.6	2.92	16.4	2.74	
18.0	16.8	21.7	3.40	20.3	3.20	18.9	2.97	18.2	2.88	17.6	2.79	16.4	2.61	
20.0	18.5	21.7	3.24	20.3	3.06	18.9	2.86	18.2	2.78	17.6	2.68	16.4	2.50	
24.0	20.5	21.7	3.09	20.3	2.93	18.9	2.66	18.2	2.69	17.6	2.58	16.4	2.39	

GMV-400WM/G-X

TC—Total capacity of outdoor unit; PI—Power input of outdoor unit

Combination	Outdoor air temp		Indoor air temperature °C DB											
			16		18		20		21		22		24	
	°C DB	°C WB	TC	PI	TC	PI	TC	PI	TC	PI	TC	PI	TC	PI
135%	-19.8	-20.0	37.4	8.84	37.2	9.46	37.1	9.98	37.2	10.32	37.1	10.69	37.1	11.34
	-18.8	-19.0	37.7	8.98	37.7	9.62	37.5	10.05	37.5	10.44	37.5	10.74	37.4	11.42
	-16.7	-17.0	38.4	9.20	38.3	9.80	38.1	10.24	38.2	10.52	38.1	10.86	38.0	11.51
	-13.7	-15.0	39.0	9.41	39.0	9.97	38.8	10.37	38.8	10.67	38.8	11.01	38.7	11.56
	-11.8	-13.0	39.6	9.59	39.6	10.09	39.4	10.44	39.5	10.77	39.4	11.04	39.3	11.60
	-9.8	-11.0	40.3	9.73	40.3	10.22	40.1	10.54	40.1	10.81	40.1	11.06	40.0	11.59
	-9.5	-10.0	40.6	9.77	40.6	10.24	40.4	10.54	40.4	10.80	40.4	11.08	40.3	11.54
	-8.5	-9.1	41.0	9.84	40.8	10.26	40.8	10.54	40.7	10.81	40.8	11.06	40.7	11.56
	-7.0	-7.6	41.4	9.87	41.3	10.27	41.3	10.55	41.2	10.77	41.2	11.02	41.1	11.49
	-5.0	-5.6	44.0	10.35	44.0	10.55	43.9	11.03	43.8	11.24	43.9	11.51	43.7	11.89
	-3.0	-3.7	44.6	10.35	44.6	10.73	44.5	10.93	44.5	11.17	44.4	11.36	44.3	11.77
	0.0	-0.7	45.6	10.28	45.6	10.59	45.5	10.78	45.5	10.95	45.4	11.16	45.3	11.49
	3.0	2.2	48.5	10.55	48.4	10.84	48.2	10.99	48.2	11.16	48.2	11.34	48.1	11.64
	5.0	4.1	51.0	10.81	50.8	11.09	50.8	11.22	50.7	11.39	50.7	11.55	50.5	11.85
	7.0	6.0	53.5	11.07	53.4	11.32	53.4	11.45	53.2	10.36	53.2	11.76	51.1	11.32
	9.0	7.9	56.2	11.29	56.1	11.54	56.1	11.66	56.0	11.81	54.8	11.59	51.1	10.64
	11.0	9.8	59.1	11.52	59.0	11.75	58.7	11.77	56.7	11.33	54.8	10.89	51.1	10.02
	13.0	11.8	62.2	11.74	62.1	11.96	58.7	11.04	56.7	10.62	54.8	10.23	51.1	9.41
15.0	13.7	65.2	11.94	62.4	11.33	58.7	10.41	56.7	10.02	54.8	9.64	51.1	8.88	
18.0	16.8	65.2	11.30	62.4	10.78	58.7	9.87	56.7	9.52	54.8	9.11	51.1	8.44	
20.0	18.5	65.2	10.76	62.4	10.30	58.7	9.42	56.7	9.10	54.8	8.66	51.1	8.06	
24.0	20.5	65.2	10.29	62.4	9.91	58.7	9.06	56.7	8.75	54.8	8.27	51.1	7.77	

GMV6 DC Inverter VRF Units Technical Sales Guide

Combination	Outdoor air temp		Indoor air temperature °C DB											
			16		18		20		21		22		24	
			TC	PI	TC	PI	TC	PI	TC	PI	TC	PI	TC	PI
	°C DB	°C WB	kW	kW	kW	kW	kW	kW	kW	kW	kW	kW	kW	
120%	-19.8	-20.0	37.2	9.69	37.1	10.28	37.1	10.74	37.0	11.02	37.1	11.36	37.0	12.02
	-18.8	-19.0	37.5	9.81	37.5	10.40	37.4	10.67	37.4	11.12	37.4	11.46	37.3	12.10
	-16.7	-17.0	38.2	9.98	38.1	10.55	38.1	10.89	38.0	11.22	38.0	11.53	38.0	12.13
	-13.7	-15.0	38.9	10.14	38.8	10.66	38.7	11.02	38.8	11.32	38.7	11.58	38.7	12.15
	-11.8	-13.0	39.5	10.27	39.4	10.72	39.4	11.05	39.4	11.33	39.3	11.62	39.3	12.11
	-9.8	-11.0	40.2	10.36	40.1	10.81	40.0	11.07	40.1	11.37	40.0	11.59	40.0	12.11
	-9.5	-10.0	40.5	10.37	40.4	10.81	40.3	11.08	40.4	11.34	40.3	11.47	40.3	12.04
	-8.5	-9.1	40.8	10.42	40.8	10.84	40.7	11.06	40.7	11.32	40.7	11.58	40.6	12.04
	-7.0	-7.6	41.3	10.45	41.2	10.78	41.1	11.03	41.2	11.26	41.1	11.50	41.0	11.89
	-5.0	-5.6	44.0	10.89	43.9	11.28	43.8	11.51	43.8	11.71	43.8	11.93	43.7	12.32
	-3.0	-3.7	44.6	10.86	44.5	11.18	44.4	11.35	44.4	11.56	44.3	11.79	44.3	12.13
	0.0	-0.7	45.6	10.73	45.5	11.01	45.4	11.28	45.4	11.33	45.3	11.53	45.3	11.84
	3.0	2.2	48.4	10.94	48.2	11.20	48.2	11.33	48.1	11.49	48.1	11.65	47.1	11.62
	5.0	4.1	50.8	11.18	50.7	11.43	50.7	11.54	50.5	11.70	50.5	11.85	47.1	10.91
	7.0	6.0	53.4	11.41	53.4	11.65	53.2	11.75	52.4	11.61	50.7	11.17	47.1	10.27
	9.0	7.9	56.1	11.64	56.0	11.86	54.1	11.34	52.4	10.92	50.7	10.50	47.1	9.67
	11.0	9.8	59.0	11.84	57.5	11.63	54.1	10.67	52.4	10.28	50.7	9.89	47.1	9.12
	13.0	11.8	61.1	11.72	57.5	10.91	54.1	10.01	52.4	9.66	50.7	9.30	47.1	8.57
	15.0	13.7	61.1	11.04	57.5	10.28	54.1	9.45	52.4	9.11	50.7	8.77	47.1	8.10
	18.0	16.8	61.1	10.43	57.5	9.73	54.1	8.98	52.4	8.63	50.7	8.31	47.1	7.68
20.0	18.5	61.1	9.88	57.5	9.29	54.1	8.59	52.4	8.23	50.7	7.92	47.1	7.31	
24.0	20.5	61.1	9.40	57.5	8.91	54.1	8.28	52.4	7.89	50.7	7.60	47.1	7.01	
110%	-19.8	-20.0	37.1	10.56	37.1	11.12	37.0	11.50	37.0	11.78	37.0	12.09	36.9	12.71
	-18.8	-19.0	37.5	10.67	37.4	11.16	37.4	11.52	37.3	11.80	37.3	12.16	37.3	12.70
	-16.7	-17.0	38.1	10.79	38.1	11.31	38.0	11.59	37.9	11.90	38.0	12.21	37.9	12.76
	-13.7	-15.0	38.8	10.89	38.7	11.39	38.7	11.68	38.6	11.93	38.7	12.21	38.6	12.74
	-11.8	-13.0	39.4	11.00	39.4	11.40	39.3	11.67	39.2	11.89	39.3	12.21	39.2	12.66
	-9.8	-11.0	40.1	11.02	40.0	11.44	40.0	11.63	39.9	11.90	40.0	12.14	39.9	12.56
	-9.5	-10.0	40.4	11.00	40.3	11.40	40.3	11.64	40.2	11.85	40.3	12.08	40.2	12.53
	-8.5	-9.1	40.8	11.03	40.7	11.43	40.7	11.60	40.6	11.80	40.6	12.08	40.6	12.46
	-7.0	-7.6	41.2	11.01	41.1	11.32	41.1	11.52	41.1	11.75	41.0	11.80	41.0	12.35
	-5.0	-5.6	43.9	11.45	43.8	11.81	43.7	11.96	43.7	12.18	43.7	11.81	42.7	12.50
	-3.0	-3.7	44.4	11.35	44.4	11.63	44.3	11.80	44.3	11.99	44.5	11.33	41.1	11.65
	0.0	-0.7	45.4	11.15	45.4	11.40	45.3	11.54	45.3	11.71	46.4	11.67	43.2	11.48
	3.0	2.2	48.2	11.33	48.1	11.57	48.1	11.66	48.0	11.80	46.4	11.36	43.2	10.45
	5.0	4.1	50.7	11.55	50.7	11.79	49.7	11.53	48.0	11.10	46.4	10.69	43.2	9.83
	7.0	6.0	53.2	11.76	52.8	11.84	49.7	10.84	48.0	10.44	46.4	10.05	43.2	9.25
	9.0	7.9	56.0	11.95	52.8	11.13	49.7	10.20	48.0	9.83	46.4	9.46	43.2	8.72
	11.0	9.8	56.0	11.24	52.8	10.47	49.7	9.61	48.0	9.26	46.4	8.92	43.2	8.23
	13.0	11.8	56.0	10.54	52.8	9.82	49.7	9.04	48.0	8.72	46.4	8.39	43.2	7.75
	15.0	13.7	56.0	9.94	52.8	9.26	49.7	8.54	48.0	8.23	46.4	7.94	43.2	7.34
	18.0	16.8	56.0	9.40	52.8	8.78	49.7	7.79	48.0	7.80	46.4	7.56	43.2	6.99
20.0	18.5	56.0	8.92	52.8	8.35	49.7	7.39	48.0	7.43	46.4	7.25	43.2	6.68	
24.0	20.5	56.0	8.52	52.8	7.97	49.7	7.04	48.0	7.11	46.4	6.99	43.2	6.43	

Combination	Outdoor air temp		Indoor air temperature °C DB											
			16		18		20		21		22		24	
	°C DB	°C WB	TC	PI	TC	PI	TC	PI	TC	PI	TC	PI	TC	PI
100%	-19.8	-20.0	36.9	11.38	36.9	11.91	36.8	12.15	36.7	12.47	36.7	12.73	36.6	13.31
	-18.8	-19.0	37.2	11.46	37.2	11.93	37.1	12.21	37.0	12.47	37.0	12.79	36.9	13.28
	-16.7	-17.0	37.9	11.54	37.9	12.03	37.8	12.23	37.7	12.47	37.6	12.76	37.5	13.22
	-13.7	-15.0	38.6	11.62	38.5	12.06	38.4	12.23	38.4	12.52	38.2	12.70	38.1	13.20
	-11.8	-13.0	39.2	11.67	39.1	12.02	39.0	12.22	39.0	12.44	38.8	12.17	38.2	12.91
	-9.8	-11.0	39.9	11.64	39.8	12.02	39.7	12.14	39.6	12.35	39.4	12.53	38.2	12.54
	-9.5	-10.0	40.2	11.60	40.1	11.97	40.0	12.08	40.0	12.32	39.7	12.45	38.2	12.41
	-8.5	-9.1	40.4	11.56	40.3	11.87	40.2	12.02	40.3	12.24	39.9	12.38	38.2	12.21
	-7.0	-7.6	40.8	11.50	40.7	11.79	40.6	11.92	40.6	12.10	40.4	12.23	38.2	11.96
	-5.0	-5.6	43.1	11.81	43.0	12.11	42.9	12.20	42.9	12.45	41.6	12.23	39.1	11.81
	-3.0	-3.7	43.7	11.69	43.6	11.93	43.5	12.04	43.3	12.17	41.6	11.84	39.4	11.25
	0.0	-0.7	44.6	11.42	44.5	11.62	44.4	11.70	43.7	11.55	42.2	11.10	39.4	10.23
	3.0	2.2	48.1	11.71	48.0	11.93	45.0	10.87	43.7	10.50	42.2	10.12	39.4	9.31
	5.0	4.1	50.5	11.93	48.0	11.20	45.0	10.23	43.7	9.89	42.2	9.53	39.4	8.79
	7.0	6.0	50.8	11.32	48.0	10.53	45.0	9.50	43.7	9.32	42.2	8.98	39.4	8.28
	9.0	7.9	50.8	10.64	48.0	9.91	45.0	9.02	43.7	8.78	42.2	8.47	39.4	7.82
	11.0	9.8	50.8	10.01	48.0	9.34	45.0	8.52	43.7	8.29	42.2	7.99	39.4	7.39
	13.0	11.8	50.8	9.40	48.0	8.78	45.0	8.03	43.7	7.81	42.2	7.54	39.4	6.97
15.0	13.7	50.8	8.87	48.0	8.29	45.0	7.59	43.7	7.39	42.2	7.12	39.4	6.61	
18.0	16.8	50.8	8.36	48.0	7.91	45.0	7.34	43.7	7.01	42.2	6.75	39.4	6.29	
20.0	18.5	50.8	7.89	48.0	7.59	45.0	7.05	43.7	6.70	42.2	6.43	39.4	6.04	
24.0	20.5	50.8	7.46	48.0	7.34	45.0	6.77	43.7	6.45	42.2	6.18	39.4	5.85	
90%	-19.8	-20.0	36.8	12.27	36.7	12.73	36.7	12.90	36.8	13.25	36.7	13.51	34.5	13.16
	-18.8	-19.0	37.1	12.33	37.1	12.74	37.0	12.96	37.1	13.24	37.0	13.47	34.6	13.09
	-16.7	-17.0	37.8	12.37	37.7	12.80	37.7	12.93	37.7	13.21	37.8	13.53	34.6	12.80
	-13.7	-15.0	38.5	12.37	38.4	12.77	38.3	12.89	38.4	13.08	37.8	13.24	34.7	12.51
	-11.8	-13.0	39.1	12.36	39.0	12.68	38.9	12.83	39.0	13.08	37.8	12.90	34.7	12.22
	-9.8	-11.0	39.7	12.27	39.7	12.57	39.6	12.70	39.4	12.85	37.9	12.56	34.7	11.88
	-9.5	-10.0	40.1	12.21	40.0	12.56	39.9	12.62	39.4	12.71	37.9	12.42	35.0	11.75
	-8.5	-9.1	40.4	12.19	40.3	12.46	40.2	12.58	39.4	12.50	37.9	12.22	35.4	11.69
	-7.0	-7.6	40.7	12.05	40.7	12.34	40.7	12.45	39.3	12.22	37.8	11.93	35.4	11.17
	-5.0	-5.6	43.0	12.37	43.0	12.66	40.6	12.02	39.2	11.76	38.0	11.41	35.4	10.50
	-3.0	-3.7	43.5	12.17	43.6	11.08	40.6	11.57	39.2	11.15	38.0	10.75	35.4	9.90
	0.0	-0.7	44.4	11.79	43.7	10.36	40.6	10.51	39.2	10.13	38.0	9.77	35.4	9.01
	3.0	2.2	45.8	11.25	43.7	10.59	40.6	9.59	39.2	9.25	38.0	8.92	35.4	8.24
	5.0	4.1	46.7	10.80	43.7	9.96	40.6	9.05	39.2	8.72	38.0	8.42	35.4	7.78
	7.0	6.0	46.7	10.15	43.7	9.39	40.6	8.53	39.2	8.23	38.0	7.95	35.4	7.35
	9.0	7.9	46.7	9.57	43.7	8.83	40.6	8.04	39.2	7.77	38.0	7.51	35.4	6.95
	11.0	9.8	46.7	9.01	43.7	8.34	40.6	7.61	39.2	7.35	38.0	7.10	35.4	6.58
	13.0	11.8	46.7	8.48	43.7	7.86	40.6	7.17	39.2	6.94	38.0	6.71	35.4	6.21
15.0	13.7	46.7	8.02	43.7	7.43	40.6	6.80	39.2	6.55	38.0	6.35	35.4	5.90	
18.0	16.8	46.7	7.57	43.7	7.02	40.6	6.45	39.2	6.19	38.0	6.03	35.4	5.61	
20.0	18.5	46.7	7.16	43.7	6.63	40.6	6.12	39.2	5.84	38.0	5.73	35.4	5.36	
24.0	20.5	46.7	6.76	43.7	6.26	40.6	5.81	39.2	5.51	38.0	5.44	35.4	5.12	

GMV6 DC Inverter VRF Units Technical Sales Guide

Combination	Outdoor air temp		Indoor air temperature °C DB											
			16		18		20		21		22		24	
	°C DB	°C WB	TC	PI	TC	PI	TC	PI	TC	PI	TC	PI	TC	PI
			kW	kW	kW	kW	kW	kW	kW	kW	kW	kW	kW	kW
80%	-19.8	-20.0	36.7	13.16	36.7	13.57	36.2	13.52	34.9	13.25	33.5	13.02	30.8	12.33
	-18.8	-19.0	37.1	13.20	37.0	13.56	36.3	13.44	34.9	13.18	33.5	12.87	30.8	12.25
	-16.7	-17.0	37.7	13.18	37.7	13.57	36.3	13.17	34.9	12.89	33.6	12.59	30.8	11.95
	-13.7	-15.0	38.4	13.13	38.3	13.49	36.4	12.88	35.0	12.59	33.6	12.34	31.1	11.73
	-11.8	-13.0	39.0	13.07	38.9	13.36	36.4	12.58	35.0	12.29	33.6	12.00	31.5	11.34
	-9.8	-11.0	39.7	12.93	39.2	13.07	36.4	12.24	35.1	11.94	33.8	11.63	31.5	10.71
	-9.5	-10.0	40.0	12.85	39.2	12.92	36.4	12.04	35.1	11.76	33.8	11.30	31.5	10.40
	-8.5	-9.1	40.2	12.77	39.2	12.72	36.4	11.89	35.1	11.47	33.8	11.00	31.5	10.12
	-7.0	-7.6	40.6	12.64	39.1	12.42	36.4	11.40	35.0	10.93	33.8	10.51	31.5	9.72
	-5.0	-5.6	41.6	11.14	38.9	11.84	36.1	10.66	35.0	10.27	33.8	9.89	31.5	9.12
	-3.0	-3.7	41.6	10.77	38.9	11.14	36.1	10.04	35.0	9.73	33.8	9.33	31.5	8.62
	0.0	-0.7	41.6	10.96	38.9	10.12	36.1	9.15	35.0	8.83	33.8	8.51	31.5	7.86
	3.0	2.2	41.6	9.98	38.9	9.23	36.1	8.38	35.0	8.07	33.8	7.79	31.5	7.21
	5.0	4.1	41.6	9.40	38.9	8.70	36.1	7.90	35.0	7.63	33.8	7.37	31.5	6.82
	7.0	6.0	41.6	8.85	38.9	8.22	36.1	7.47	35.0	7.21	33.8	6.97	31.5	6.45
	9.0	7.9	41.6	8.36	38.9	7.75	36.1	7.10	35.0	6.81	33.8	6.59	31.5	6.11
	11.0	9.8	41.6	7.89	38.9	7.32	36.1	6.69	35.0	6.45	33.8	6.24	31.5	5.80
	13.0	11.8	41.6	7.44	38.9	6.91	36.1	6.32	35.0	6.10	33.8	5.90	31.5	5.48
15.0	13.7	41.6	7.04	38.9	6.55	36.1	6.00	35.0	5.79	33.8	5.60	31.5	5.22	
18.0	16.8	41.6	6.71	38.9	6.23	36.1	5.70	35.0	5.50	33.8	5.31	31.5	4.98	
20.0	18.5	41.6	6.46	38.9	5.97	36.1	5.46	35.0	5.25	33.8	5.06	31.5	4.75	
24.0	20.5	41.6	6.26	38.9	5.78	36.1	5.23	35.0	5.03	33.8	4.83	31.5	4.55	
70%	-19.8	-20.0	36.5	13.98	34.1	13.43	31.7	12.53	30.6	12.26	29.4	11.98	27.5	11.44
	-18.8	-19.0	36.5	13.90	34.1	13.28	31.8	12.44	30.6	12.17	29.4	11.89	27.5	11.20
	-16.7	-17.0	36.6	13.59	34.2	12.99	31.8	12.15	30.6	11.89	29.4	11.57	27.5	10.69
	-13.7	-15.0	36.6	13.28	34.2	12.73	31.8	11.85	30.7	11.62	29.5	11.03	27.5	10.17
	-11.8	-13.0	36.6	12.97	34.2	12.36	31.8	11.31	30.7	10.92	29.5	10.46	27.5	9.64
	-9.8	-11.0	36.7	12.59	34.3	11.91	31.9	10.71	30.7	10.34	29.6	9.90	27.5	9.13
	-9.5	-10.0	36.7	12.40	34.3	11.56	31.9	10.41	30.8	10.04	29.6	9.63	27.5	8.88
	-8.5	-9.1	36.7	12.21	34.3	11.25	31.9	10.14	30.8	9.78	29.6	9.38	27.5	8.65
	-7.0	-7.6	36.6	11.64	34.2	10.73	31.8	9.69	30.7	9.35	29.5	8.97	27.5	8.29
	-5.0	-5.6	36.4	10.87	34.0	10.04	31.7	9.08	30.5	8.75	29.5	8.45	27.5	7.82
	-3.0	-3.7	36.4	10.24	34.0	9.46	31.7	8.57	30.5	8.27	29.5	7.99	27.5	7.40
	0.0	-0.7	36.4	9.32	34.0	8.66	31.7	7.83	30.5	7.56	29.5	7.31	27.5	6.78
	3.0	2.2	36.4	8.52	34.0	0.19	31.7	7.19	30.5	6.94	29.5	6.71	27.5	6.23
	5.0	4.1	36.4	8.04	34.0	7.45	31.7	6.80	30.5	6.57	29.5	6.36	27.5	5.90
	7.0	6.0	36.4	7.60	34.0	7.05	31.7	6.43	30.5	6.22	29.5	6.02	27.5	5.60
	9.0	7.9	36.4	7.18	34.0	6.66	31.7	6.10	30.5	5.89	29.5	5.71	27.5	5.31
	11.0	9.8	36.4	6.79	34.0	6.30	31.7	5.78	30.5	5.60	29.5	5.42	27.5	5.04
	13.0	11.8	36.4	6.42	34.0	5.97	31.7	5.47	30.5	5.31	29.5	5.13	27.5	4.79
15.0	13.7	36.4	6.08	34.0	5.66	31.7	5.20	30.5	5.04	29.5	4.88	27.5	4.56	
18.0	16.8	36.4	5.77	34.0	5.37	31.7	4.96	30.5	4.80	29.5	4.65	27.5	4.36	
20.0	18.5	36.4	5.50	34.0	5.12	31.7	4.73	30.5	4.59	29.5	4.45	27.5	4.18	
24.0	20.5	36.4	5.25	34.0	4.89	31.7	4.54	30.5	4.40	29.5	4.29	27.5	4.03	

Combination	Outdoor air temp		Indoor air temperature °C DB											
			16		18		20		21		22		24	
	°C DB	°C WB	TC	PI	TC	PI	TC	PI	TC	PI	TC	PI	TC	PI
60%	-19.8	-20.0	31.4	12.82	29.3	12.25	27.2	11.11	26.3	10.68	25.4	10.30	23.7	9.50
	-18.8	-19.0	31.4	12.72	29.3	12.09	27.2	10.89	26.3	10.47	25.4	10.08	23.7	9.30
	-16.7	-17.0	31.4	12.41	29.4	11.61	27.3	10.41	26.3	10.02	25.4	9.63	23.7	8.90
	-13.7	-15.0	31.5	12.01	29.4	11.05	27.3	9.92	26.4	9.55	25.4	9.17	23.7	8.47
	-11.8	-13.0	31.5	11.37	29.4	10.46	27.3	9.42	26.4	9.07	25.4	8.71	23.7	8.06
	-9.8	-11.0	31.6	10.76	29.5	9.91	27.4	8.94	26.4	8.60	25.4	8.25	23.7	7.64
	-9.5	-10.0	31.6	10.46	29.5	9.64	27.4	8.69	26.4	8.38	25.4	8.03	23.7	7.43
	-8.5	-9.1	31.6	10.18	29.5	9.40	27.4	8.48	26.4	8.17	25.4	7.83	23.7	7.25
	-7.0	-7.6	31.5	9.72	29.4	8.98	27.3	8.11	26.4	7.82	25.4	7.51	23.7	6.97
	-5.0	-5.6	31.3	9.10	29.2	8.41	27.2	7.62	26.2	7.34	25.4	7.09	23.7	6.59
	-3.0	-3.7	31.3	8.59	29.2	7.94	27.2	7.23	26.2	6.95	25.4	6.72	23.7	6.24
	0.0	-0.7	31.3	7.85	29.2	7.27	27.2	6.61	26.2	6.38	25.4	6.17	23.7	5.73
	3.0	2.2	31.3	7.20	29.2	6.68	27.2	6.09	26.2	5.87	25.4	5.69	23.7	0.23
	5.0	4.1	31.3	6.81	29.2	6.32	27.2	5.77	26.2	5.57	25.4	5.39	23.7	5.03
	7.0	6.0	31.3	6.44	29.2	5.98	27.2	5.47	26.2	5.29	25.4	5.13	23.7	4.78
	9.0	7.9	31.3	6.10	29.2	5.67	27.2	5.20	26.2	5.02	25.4	4.87	23.7	4.55
	11.0	9.8	31.3	5.79	29.2	5.39	27.2	4.95	26.2	4.77	25.4	4.63	23.7	4.33
	13.0	11.8	31.3	5.48	29.2	5.11	27.2	4.70	26.2	4.54	25.4	4.40	23.7	4.12
15.0	13.7	31.3	5.22	29.2	4.85	27.2	4.47	26.2	4.32	25.4	4.20	23.7	3.93	
18.0	16.8	31.3	4.98	29.2	4.61	27.2	4.28	26.2	4.14	25.4	4.02	23.7	3.77	
20.0	18.5	31.3	4.77	29.2	4.40	27.2	4.10	26.2	3.97	25.4	3.87	23.7	3.63	
24.0	20.5	31.3	4.59	29.2	4.22	27.2	3.95	26.2	3.84	25.4	3.75	23.7	3.50	
50%	-19.8	-20.0	26.2	10.77	24.4	9.89	22.7	8.90	21.8	8.61	21.1	8.30	19.7	7.69
	-18.8	-19.0	26.2	10.54	24.4	9.69	22.7	8.74	21.9	8.44	21.1	8.13	19.7	7.54
	-16.7	-17.0	26.2	10.07	24.4	9.27	22.7	8.37	21.9	8.09	21.1	7.80	19.7	7.23
	-13.7	-15.0	26.3	9.61	24.5	8.85	22.8	7.99	21.9	7.73	21.1	7.44	19.7	6.90
	-11.8	-13.0	26.3	9.12	24.5	8.42	22.8	7.61	21.9	7.36	21.1	7.07	19.7	6.57
	-9.8	-11.0	26.3	8.65	24.5	7.98	22.8	7.24	22.0	7.00	21.1	6.73	19.7	6.25
	-9.5	-10.0	26.3	8.42	24.5	7.77	22.8	7.05	22.0	6.83	21.1	6.55	19.7	6.08
	-8.5	-9.1	26.3	8.21	24.5	7.58	22.8	6.88	22.0	6.66	21.1	6.40	19.7	5.95
	-7.0	-7.6	26.3	7.85	24.5	7.29	22.8	6.60	21.9	6.39	21.1	6.15	19.7	5.72
	-5.0	-5.6	26.1	7.37	24.3	6.82	22.7	6.21	21.8	6.02	21.1	5.83	19.7	5.42
	-3.0	-3.7	26.1	6.98	24.3	6.46	22.7	5.89	21.8	5.71	21.1	5.53	19.7	5.15
	0.0	-0.7	26.1	6.40	24.3	5.93	22.7	5.43	21.8	5.26	21.1	5.10	19.7	4.76
	3.0	2.2	26.1	5.90	24.3	5.47	22.7	5.01	21.8	4.86	21.1	4.73	19.7	4.41
	5.0	4.1	26.1	5.60	24.3	5.19	22.7	4.76	21.8	4.62	21.1	4.49	19.7	4.20
	7.0	6.0	26.1	5.31	24.3	4.93	22.7	4.54	21.8	4.40	21.1	4.27	19.7	4.01
	9.0	7.9	26.1	5.04	24.3	4.69	22.7	4.32	21.8	4.20	21.1	4.07	19.7	3.82
	11.0	9.8	26.1	4.79	24.3	4.46	22.7	4.12	21.8	4.00	21.1	3.88	19.7	3.64
	13.0	11.8	26.1	4.56	24.3	4.24	22.7	3.92	21.8	3.81	21.1	3.70	19.7	3.48
15.0	13.7	26.1	4.33	24.3	4.05	22.7	3.74	21.8	3.64	21.1	3.53	19.7	3.31	
18.0	16.8	26.1	4.12	24.3	3.86	22.7	3.60	21.8	3.49	21.1	3.38	19.7	3.16	
20.0	18.5	26.1	3.93	24.3	3.69	22.7	3.46	21.8	3.36	21.1	3.24	19.7	3.02	
24.0	20.5	26.1	3.74	24.3	3.54	22.7	3.22	21.8	3.25	21.1	3.12	19.7	2.89	

GMV6 DC Inverter VRF Units Technical Sales Guide

GMV-450WM/G-X

TC—Total capacity of outdoor unit; PI—Power input of outdoor unit

Combination	Outdoor air temp		Indoor air temperature °C DB											
			16		18		20		21		22		24	
	°C DB	°C WB	TC	PI	TC	PI	TC	PI	TC	PI	TC	PI	TC	PI
			kW	kW	kW	kW	kW	kW	kW	kW	kW	kW	kW	kW
135%	-19.8	-20.0	39.4	9.80	39.3	10.52	39.3	11.09	39.2	11.45	39.1	11.86	39.1	12.58
	-18.8	-19.0	39.9	10.01	39.8	10.70	39.7	11.19	39.6	11.60	39.6	11.94	39.5	12.70
	-16.7	-17.0	40.8	10.30	40.7	10.97	40.5	11.46	40.5	11.74	40.5	12.15	40.4	12.85
	-13.7	-15.0	41.6	10.57	41.6	11.21	41.5	11.68	41.5	11.99	41.4	12.37	41.3	13.00
	-11.8	-13.0	42.6	10.84	42.4	11.38	42.3	11.79	42.3	12.15	42.2	12.46	42.2	13.09
	-9.8	-11.0	43.4	11.04	43.4	11.60	43.2	11.96	43.2	12.24	43.2	12.55	43.1	13.12
	-9.5	-10.0	43.8	11.10	43.8	11.64	43.6	11.97	43.7	12.28	43.6	12.59	43.6	13.12
	-8.5	-9.1	44.3	11.20	44.2	11.69	44.1	12.00	44.1	12.30	44.1	12.60	43.9	13.14
	-7.0	-7.6	44.9	11.28	44.9	11.74	44.7	12.03	44.8	12.31	44.7	12.60	44.7	13.15
	-5.0	-5.6	45.6	11.30	45.6	11.52	45.4	12.01	45.5	12.27	45.4	12.53	45.4	12.98
	-3.0	-3.7	46.5	11.34	46.4	11.77	46.2	11.95	46.3	12.24	46.2	12.45	46.2	12.90
	0.0	-0.7	49.9	11.85	49.9	12.22	49.8	12.41	49.8	12.62	49.6	12.84	49.6	13.23
	3.0	2.2	66.7	15.26	66.6	15.72	66.1	15.85	63.6	15.49	61.1	15.12	56.1	14.30
	5.0	4.1	75.2	16.79	70.2	16.13	65.3	15.17	62.8	14.85	60.4	14.49	56.1	13.85
	7.0	6.0	75.2	16.37	70.3	15.69	65.3	14.74	62.9	12.87	60.4	14.04	56.8	13.24
	9.0	7.9	75.3	15.92	70.4	15.24	65.4	14.30	62.9	13.98	60.9	13.56	56.8	12.44
	11.0	9.8	75.3	15.46	70.4	14.76	65.4	13.81	62.9	13.25	60.9	12.74	56.8	11.72
	13.0	11.8	75.3	14.95	70.4	14.27	65.4	12.95	62.9	12.42	60.9	11.96	56.8	11.00
	15.0	13.7	75.3	14.51	70.4	13.45	65.4	12.20	62.9	11.72	60.9	11.27	56.8	10.38
	18.0	16.8	75.3	13.74	70.4	12.80	65.4	11.58	62.9	11.13	60.9	10.66	56.8	9.87
20.0	18.5	75.3	13.07	70.4	12.23	65.4	11.05	62.9	10.64	60.9	10.13	56.8	9.43	
24.0	20.5	75.3	12.50	70.4	11.76	65.4	10.63	62.9	10.23	60.9	9.67	56.8	9.09	
120%	-19.8	-20.0	39.3	10.78	39.3	11.44	39.1	11.91	39.1	12.26	39.1	12.61	39.0	13.34
	-18.8	-19.0	39.8	10.94	39.7	11.60	39.5	11.86	39.6	12.40	39.5	12.74	39.5	13.46
	-16.7	-17.0	40.6	11.18	40.5	11.81	40.5	12.18	40.4	12.55	40.5	12.91	40.3	13.54
	-13.7	-15.0	41.6	11.42	41.4	11.98	41.4	12.38	41.4	12.72	41.3	13.02	41.3	13.66
	-11.8	-13.0	42.4	11.62	42.3	12.12	42.2	12.46	42.2	12.78	42.2	13.11	42.1	13.66
	-9.8	-11.0	43.3	11.76	43.2	12.27	43.2	12.55	43.1	12.87	43.2	13.16	43.0	13.72
	-9.5	-10.0	43.7	11.79	43.6	12.30	43.6	12.59	43.5	12.86	43.6	13.04	43.4	13.66
	-8.5	-9.1	44.2	11.87	44.1	12.35	44.1	12.60	44.0	12.89	43.9	13.16	43.9	13.69
	-7.0	-7.6	44.8	11.92	44.7	12.33	44.7	12.60	44.6	12.84	44.7	13.15	44.5	13.57
	-5.0	-5.6	45.6	11.89	45.4	12.29	45.4	12.53	45.3	12.75	45.4	13.00	45.2	13.42
	-3.0	-3.7	46.3	11.88	46.2	12.23	46.2	12.44	46.1	12.63	46.2	12.92	46.0	13.27
	0.0	-0.7	49.8	12.34	49.8	12.68	49.6	12.98	49.6	13.04	49.5	13.23	49.5	13.61
	3.0	2.2	66.6	15.87	65.7	16.07	61.1	15.09	58.8	14.79	56.5	14.40	52.3	13.59
	5.0	4.1	69.4	16.08	64.9	15.41	60.3	14.45	58.0	14.14	56.1	13.86	52.3	12.76
	7.0	6.0	69.5	15.63	64.9	14.91	60.4	14.01	58.1	13.56	56.3	13.06	52.3	12.01
	9.0	7.9	69.5	15.19	65.0	14.50	60.4	13.33	58.2	12.76	56.3	12.28	52.3	11.31
	11.0	9.8	69.5	14.70	65.0	13.84	60.4	12.54	58.2	12.01	56.3	11.56	52.3	10.66
	13.0	11.8	69.5	14.05	65.0	12.98	60.4	11.77	58.2	11.28	56.3	10.87	52.3	10.03
	15.0	13.7	69.5	13.23	65.0	12.22	60.4	11.11	58.2	10.64	56.3	10.26	52.3	9.47
	18.0	16.8	69.5	12.50	65.0	11.57	60.4	10.55	58.2	10.09	56.3	9.72	52.3	8.98
20.0	18.5	69.5	11.85	65.0	11.05	60.4	10.10	58.2	9.62	56.3	9.26	52.3	8.55	
24.0	20.5	69.5	11.27	65.0	10.59	60.4	9.73	58.2	9.23	56.3	8.89	52.3	8.20	

Combination	Outdoor air temp		Indoor air temperature °C DB											
			16		18		20		21		22		24	
	°C DB	°C WB	TC	PI	TC	PI	TC	PI	TC	PI	TC	PI	TC	PI
			kW	kW	kW	kW	kW	kW	kW	kW	kW	kW	kW	kW
110%	-19.8	-20.0	39.2	11.72	39.1	12.34	39.0	12.76	39.0	13.07	39.0	13.41	38.9	14.11
	-18.8	-19.0	39.6	11.86	39.5	12.42	39.5	12.81	39.5	13.15	39.5	13.53	39.4	14.13
	-16.7	-17.0	40.5	12.08	40.5	12.67	40.3	12.94	40.4	13.32	40.3	13.63	40.2	14.26
	-13.7	-15.0	41.4	12.25	41.4	12.80	41.3	13.12	41.2	13.41	41.3	13.73	41.1	14.29
	-11.8	-13.0	42.2	12.41	42.2	12.86	42.1	13.16	42.2	13.45	42.1	13.77	42.0	14.29
	-9.8	-11.0	43.2	12.51	43.2	12.99	43.0	13.17	43.1	13.51	43.0	13.75	42.9	14.23
	-9.5	-10.0	43.6	12.51	43.6	12.97	43.5	13.23	43.5	13.47	43.4	13.71	43.3	14.22
	-8.5	-9.1	44.1	12.57	44.0	12.99	43.9	13.18	43.9	13.45	43.9	13.74	43.8	14.17
	-7.0	-7.6	44.7	12.59	44.7	12.95	44.6	13.17	44.6	13.40	44.5	13.46	44.4	14.09
	-5.0	-5.6	45.4	12.48	45.4	12.87	45.3	13.05	45.3	13.26	45.7	12.99	45.1	13.91
	-3.0	-3.7	46.2	12.44	46.2	12.75	46.1	12.93	46.1	13.11	49.5	13.25	46.0	13.71
	0.0	-0.7	49.6	12.83	49.6	13.14	49.5	13.26	49.5	13.44	51.5	13.65	48.0	13.42
	3.0	2.2	64.6	15.98	60.3	15.27	56.0	14.30	54.0	13.98	51.9	13.37	48.0	12.22
	5.0	4.1	63.8	15.30	59.5	14.57	55.3	13.51	53.3	12.97	51.5	12.49	48.0	11.50
	7.0	6.0	63.8	14.85	59.6	14.05	55.4	12.71	53.3	12.21	51.5	11.75	48.0	10.82
	9.0	7.9	63.9	14.37	59.6	13.22	55.4	11.98	53.4	11.51	51.5	11.06	48.0	10.20
	11.0	9.8	63.9	13.51	59.6	12.44	55.4	11.28	53.4	10.85	51.5	10.43	48.0	9.63
	13.0	11.8	63.9	12.68	59.6	11.67	55.4	10.61	53.4	10.21	51.5	9.81	48.0	9.07
15.0	13.7	63.9	11.94	59.6	11.01	55.4	10.03	53.4	9.64	51.5	9.29	48.0	8.58	
18.0	16.8	63.9	11.30	59.6	10.44	55.4	9.15	53.4	9.14	51.5	8.85	48.0	8.17	
20.0	18.5	63.9	10.72	59.6	9.92	55.4	8.68	53.4	8.70	51.5	8.48	48.0	7.82	
24.0	20.5	63.9	10.24	59.6	9.47	55.4	8.27	53.4	8.33	51.5	8.17	48.0	7.52	
100%	-19.8	-20.0	39.0	12.67	38.9	13.22	38.8	13.48	38.7	13.84	38.7	14.13	38.5	14.73
	-18.8	-19.0	39.4	12.79	39.3	13.27	39.2	13.57	39.2	13.86	39.1	14.22	39.0	14.77
	-16.7	-17.0	40.3	12.92	40.2	13.44	40.1	13.65	40.1	13.96	39.9	14.25	39.8	14.77
	-13.7	-15.0	41.2	13.06	41.0	13.53	40.9	13.71	41.0	14.08	40.7	14.25	40.6	14.81
	-11.8	-13.0	42.1	13.17	42.0	13.56	41.8	13.79	41.8	14.03	41.6	13.74	41.5	14.77
	-9.8	-11.0	42.9	13.18	42.8	13.62	42.7	13.74	42.8	14.02	42.4	14.20	42.3	14.62
	-9.5	-10.0	43.3	13.17	43.2	13.58	43.1	13.71	43.2	14.02	42.8	14.13	42.4	14.50
	-8.5	-9.1	43.7	13.17	43.6	13.53	43.5	13.69	43.5	13.91	43.2	14.11	42.4	14.27
	-7.0	-7.6	44.3	13.12	44.2	13.45	44.1	13.59	44.1	13.84	43.8	13.96	42.4	13.97
	-5.0	-5.6	44.6	12.87	44.5	13.20	44.4	13.29	44.4	13.56	44.4	13.74	43.4	13.81
	-3.0	-3.7	45.8	12.90	45.8	13.20	45.7	13.30	45.7	13.49	45.7	13.68	43.8	13.15
	0.0	-0.7	49.5	13.33	49.5	13.60	49.3	13.67	48.5	13.50	46.9	12.98	43.8	11.96
	3.0	2.2	57.7	14.80	53.8	14.09	50.0	12.71	48.5	12.28	46.9	11.83	43.8	10.89
	5.0	4.1	57.7	14.34	53.8	13.23	50.0	11.96	48.5	11.57	46.9	11.14	43.8	10.27
	7.0	6.0	57.7	13.53	53.8	12.44	50.0	10.70	48.5	10.90	46.9	10.50	43.8	9.68
	9.0	7.9	57.7	12.72	53.8	11.71	50.0	10.54	48.5	10.27	46.9	9.90	43.8	9.14
	11.0	9.8	57.7	11.97	53.8	11.03	50.0	9.96	48.5	9.69	46.9	9.34	43.8	8.64
	13.0	11.8	57.7	11.24	53.8	10.37	50.0	9.39	48.5	9.13	46.9	8.81	43.8	8.15
15.0	13.7	57.7	10.61	53.8	9.79	50.0	8.87	48.5	8.64	46.9	8.33	43.8	7.73	
18.0	16.8	57.7	10.00	53.8	9.34	50.0	8.58	48.5	8.20	46.9	7.89	43.8	7.36	
20.0	18.5	57.7	9.44	53.8	8.97	50.0	8.24	48.5	7.83	46.9	7.52	43.8	7.06	
24.0	20.5	57.7	8.92	53.8	8.67	50.0	7.92	48.5	7.54	46.9	7.23	43.8	6.84	

GMV6 DC Inverter VRF Units Technical Sales Guide

Combination	Outdoor air temp		Indoor air temperature °C DB											
			16		18		20		21		22		24	
	°C DB	°C WB	TC	PI	TC	PI	TC	PI	TC	PI	TC	PI	TC	PI
			kW	kW	kW	kW	kW	kW	kW	kW	kW	kW	kW	kW
90%	-19.8	-20.0	38.8	13.62	38.8	14.13	38.7	14.31	38.8	14.70	38.7	14.99	38.4	15.39
	-18.8	-19.0	39.3	13.72	39.2	14.18	39.1	14.41	39.2	14.72	39.1	14.99	38.4	15.30
	-16.7	-17.0	40.2	13.85	40.1	14.34	40.1	14.48	40.1	14.75	40.1	15.11	38.4	14.97
	-13.7	-15.0	41.1	13.91	41.0	14.37	41.0	14.49	41.0	14.71	41.0	15.09	38.5	14.63
	-11.8	-13.0	41.9	13.95	41.8	14.32	41.8	14.48	41.9	14.76	41.8	14.99	38.5	14.29
	-9.8	-11.0	42.9	13.94	42.8	14.28	42.7	14.42	42.7	14.66	42.1	14.67	38.6	13.89
	-9.5	-10.0	43.3	13.89	43.2	14.29	43.2	14.36	43.2	14.64	42.1	14.50	38.8	13.74
	-8.5	-9.1	43.6	13.86	43.6	14.21	43.6	14.33	43.6	14.54	42.1	14.27	39.3	13.67
	-7.0	-7.6	44.2	13.79	44.2	14.09	44.1	14.21	43.8	14.31	42.0	13.93	39.3	13.06
	-5.0	-5.6	44.5	13.47	44.5	13.79	44.4	13.83	43.5	13.74	42.2	13.33	39.3	12.28
	-3.0	-3.7	45.7	13.44	45.7	12.22	45.1	13.53	43.5	13.02	42.2	12.56	39.3	11.58
	0.0	-0.7	49.5	13.82	48.0	11.99	45.1	12.29	43.5	11.84	42.2	11.43	39.3	10.53
	3.0	2.2	52.0	13.44	48.6	12.40	45.1	11.21	43.5	10.81	42.2	10.43	39.3	9.64
	5.0	4.1	52.0	12.64	48.6	11.67	45.1	10.58	43.5	10.19	42.2	9.85	39.3	9.09
	7.0	6.0	52.0	11.88	48.6	10.99	45.1	9.97	43.5	9.62	42.2	9.29	39.3	8.59
	9.0	7.9	52.0	11.20	48.6	10.35	45.1	9.40	43.5	9.08	42.2	8.78	39.3	8.12
	11.0	9.8	52.0	10.55	48.6	9.76	45.1	8.90	43.5	8.59	42.2	8.30	39.3	7.70
	13.0	11.8	52.0	9.93	48.6	9.21	45.1	8.39	43.5	8.10	42.2	7.84	39.3	7.27
	15.0	13.7	52.0	9.38	48.6	8.70	45.1	7.95	43.5	7.65	42.2	7.43	39.3	6.90
	18.0	16.8	52.0	8.87	48.6	8.22	45.1	7.54	43.5	7.23	42.2	7.05	39.3	6.56
20.0	18.5	52.0	8.38	48.6	7.77	45.1	7.16	43.5	6.82	42.2	6.70	39.3	6.26	
24.0	20.5	52.0	7.91	48.6	7.33	45.1	6.80	43.5	6.44	42.2	6.36	39.3	5.98	
80%	-19.8	-20.0	38.8	14.61	38.7	15.08	38.6	15.16	38.6	15.43	37.2	15.23	34.1	14.38
	-18.8	-19.0	39.2	14.69	39.1	15.09	39.1	15.23	38.8	15.42	37.3	15.05	34.1	14.29
	-16.7	-17.0	40.0	14.73	40.0	15.17	39.9	15.24	38.9	15.09	37.3	14.72	34.2	13.94
	-13.7	-15.0	40.9	14.74	40.9	15.14	40.4	15.05	39.0	14.73	37.4	14.43	34.5	13.72
	-11.8	-13.0	41.8	14.76	41.8	15.09	40.4	14.70	39.0	14.39	37.4	14.03	35.0	13.25
	-9.8	-11.0	42.7	14.66	42.6	14.96	40.5	14.30	39.0	13.98	37.6	13.60	35.0	12.52
	-9.5	-10.0	43.1	14.59	43.1	14.94	40.5	14.07	39.0	13.76	37.6	13.20	35.0	12.16
	-8.5	-9.1	43.5	14.56	43.5	14.84	40.5	13.89	39.0	13.43	37.6	12.86	35.0	11.83
	-7.0	-7.6	44.0	14.43	43.5	14.52	40.4	13.33	39.0	12.80	37.6	12.29	35.0	11.36
	-5.0	-5.6	44.4	12.52	43.2	13.85	40.2	12.46	38.7	11.97	37.6	11.56	35.0	10.66
	-3.0	-3.7	45.2	12.33	43.2	13.03	40.2	11.74	38.7	11.34	37.6	10.91	35.0	10.07
	0.0	-0.7	46.3	12.84	43.2	11.83	40.2	10.70	38.7	10.30	37.6	9.94	35.0	9.19
	3.0	2.2	46.3	11.70	43.2	10.79	40.2	9.79	38.7	9.41	37.6	9.11	35.0	8.43
	5.0	4.1	46.3	11.02	43.2	10.18	40.2	9.24	38.7	8.89	37.6	8.61	35.0	7.97
	7.0	6.0	46.3	10.38	43.2	9.62	40.2	8.73	38.7	8.41	37.6	8.15	35.0	7.55
	9.0	7.9	46.3	9.80	43.2	9.06	40.2	8.30	38.7	7.95	37.6	7.71	35.0	7.15
	11.0	9.8	46.3	9.25	43.2	8.57	40.2	7.82	38.7	7.52	37.6	7.30	35.0	6.78
	13.0	11.8	46.3	8.72	43.2	8.09	40.2	7.39	38.7	7.12	37.6	6.90	35.0	6.41
	15.0	13.7	46.3	8.25	43.2	7.66	40.2	7.02	38.7	6.75	37.6	6.55	35.0	6.10
	18.0	16.8	46.3	7.87	43.2	7.29	40.2	6.68	38.7	6.42	37.6	6.21	35.0	5.82
20.0	18.5	46.3	7.56	43.2	6.99	40.2	6.39	38.7	6.12	37.6	5.91	35.0	5.56	
24.0	20.5	46.3	7.34	43.2	6.76	40.2	6.12	38.7	5.86	37.6	5.65	35.0	5.32	

Combination	Outdoor air temp		Indoor air temperature °C DB											
			16		18		20		21		22		24	
	°C DB	°C WB	TC	PI	TC	PI	TC	PI	TC	PI	TC	PI	TC	PI
			kW	kW	kW	kW	kW	kW	kW	kW	kW	kW	kW	kW
70%	-19.8	-20.0	38.6	15.57	37.9	15.73	35.2	14.64	34.0	14.34	32.6	13.99	30.6	13.37
	-18.8	-19.0	39.0	15.64	38.0	15.56	35.3	14.53	34.0	14.24	32.7	13.89	30.6	13.10
	-16.7	-17.0	39.9	15.62	38.0	15.21	35.3	14.20	34.1	13.91	32.7	13.52	30.6	12.50
	-13.7	-15.0	40.8	15.57	38.1	14.91	35.4	13.85	34.1	113.42	32.8	12.88	30.6	11.88
	-11.8	-13.0	40.8	15.20	38.1	14.47	35.4	13.22	34.1	12.77	32.8	12.21	30.6	11.27
	-9.8	-11.0	40.8	14.76	38.1	13.94	35.4	12.52	34.2	12.10	32.8	11.56	30.6	10.67
	-9.5	-10.0	40.8	14.53	38.2	13.54	35.5	12.17	34.2	11.75	32.8	11.25	30.6	10.38
	-8.5	-9.1	40.8	14.31	38.2	13.18	35.5	11.85	34.2	11.45	32.8	10.96	30.6	10.11
	-7.0	-7.6	40.8	13.64	38.1	12.56	35.4	11.32	34.1	10.95	32.8	10.47	30.6	9.69
	-5.0	-5.6	40.5	12.74	37.9	11.75	35.2	10.61	33.9	10.25	32.8	9.88	30.6	9.15
	-3.0	-3.7	40.5	12.00	37.9	11.08	35.2	10.02	33.9	9.68	32.8	9.34	30.6	8.65
	0.0	-0.7	40.5	10.92	37.9	10.15	35.2	9.15	33.9	8.85	32.8	8.55	30.6	7.93
	3.0	2.2	40.5	9.98	37.9	0.23	35.2	8.40	33.9	8.13	32.8	7.85	30.6	7.28
	5.0	4.1	40.5	9.42	37.9	8.72	35.2	7.95	33.9	7.69	32.8	7.44	30.6	6.90
	7.0	6.0	40.5	8.90	37.9	8.25	35.2	7.52	33.9	7.28	32.8	7.04	30.6	6.54
	9.0	7.9	40.5	8.42	37.9	7.80	35.2	7.13	33.9	6.90	32.8	6.68	30.6	6.20
	11.0	9.8	40.5	7.96	37.9	7.38	35.2	6.76	33.9	6.55	32.8	6.34	30.6	5.89
	13.0	11.8	40.5	7.52	37.9	6.99	35.2	6.40	33.9	6.21	32.8	6.00	30.6	5.60
15.0	13.7	40.5	7.13	37.9	6.63	35.2	6.08	33.9	5.91	32.8	5.71	30.6	5.33	
18.0	16.8	40.5	6.76	37.9	6.30	35.2	5.79	33.9	5.63	32.8	5.44	30.6	5.10	
20.0	18.5	40.5	6.44	37.9	6.00	35.2	5.53	33.9	5.38	32.8	5.21	30.6	4.89	
24.0	20.5	40.5	6.15	37.9	5.73	35.2	5.31	33.9	5.16	32.8	5.02	30.6	4.71	
60%	-19.8	-20.0	34.8	14.97	32.5	14.32	30.2	12.98	29.1	12.45	28.2	12.04	26.3	11.10
	-18.8	-19.0	34.8	14.86	32.6	14.14	30.3	12.72	29.1	12.20	28.2	11.78	26.3	10.87
	-16.7	-17.0	34.9	14.49	32.6	13.57	30.3	12.16	29.1	11.67	28.2	11.26	26.3	10.40
	-13.7	-15.0	34.9	14.02	32.7	12.91	30.4	11.60	29.2	11.13	28.2	10.72	26.3	9.90
	-11.8	-13.0	34.9	13.27	32.7	12.23	30.4	11.01	29.2	10.57	28.2	10.18	26.3	9.42
	-9.8	-11.0	35.0	12.56	32.7	11.58	30.4	10.45	29.2	10.02	28.2	9.65	26.3	8.93
	-9.5	-10.0	35.0	12.21	32.7	11.27	30.4	10.16	29.3	9.77	28.2	9.39	26.3	8.69
	-8.5	-9.1	35.0	11.89	32.7	10.98	30.4	9.92	29.3	9.52	28.2	9.15	26.3	8.48
	-7.0	-7.6	34.9	11.35	32.7	10.49	30.4	9.48	29.2	9.11	28.2	8.77	26.3	8.14
	-5.0	-5.6	34.7	10.63	32.5	9.83	30.2	8.90	29.0	8.55	28.2	8.29	26.3	7.70
	-3.0	-3.7	34.7	10.03	32.5	9.28	30.2	8.46	29.0	8.11	28.2	7.86	26.3	7.29
	0.0	-0.7	34.7	9.17	32.5	8.50	30.2	7.73	29.0	7.44	28.2	7.21	26.3	6.70
	3.0	2.2	34.7	8.40	32.5	7.81	30.2	7.12	29.0	6.85	28.2	6.66	26.3	0.27
	5.0	4.1	34.7	7.95	32.5	7.39	30.2	6.74	29.0	6.50	28.2	6.31	26.3	5.88
	7.0	6.0	34.7	7.52	32.5	6.99	30.2	6.40	29.0	6.16	28.2	6.00	26.3	5.58
	9.0	7.9	34.7	7.13	32.5	6.63	30.2	6.08	29.0	5.86	28.2	5.69	26.3	5.32
	11.0	9.8	34.7	6.76	32.5	6.30	30.2	5.78	29.0	5.57	28.2	5.41	26.3	5.07
	13.0	11.8	34.7	6.40	32.5	5.97	30.2	5.49	29.0	5.29	28.2	5.15	26.3	4.82
15.0	13.7	34.7	6.09	32.5	5.67	30.2	5.23	29.0	5.04	28.2	4.91	26.3	4.60	
18.0	16.8	34.7	5.82	32.5	5.40	30.2	4.99	29.0	4.82	28.2	4.70	26.3	4.40	
20.0	18.5	34.7	5.57	32.5	5.16	30.2	4.79	29.0	4.63	28.2	4.53	26.3	4.24	
24.0	20.5	34.7	5.36	32.5	4.95	30.2	4.61	29.0	4.47	28.2	4.38	26.3	4.09	

GMV6 DC Inverter VRF Units Technical Sales Guide

Combination	Outdoor air temp		Indoor air temperature °C DB											
			16		18		20		21		22		24	
	°C DB	°C WB	TC	PI	TC	PI	TC	PI	TC	PI	TC	PI	TC	PI
50%	-19.8	-20.0	29.0	12.56	27.1	11.58	25.2	10.40	24.3	10.07	23.4	9.68	21.8	8.99
	-18.8	-19.0	29.0	12.30	27.1	11.35	25.3	10.21	24.3	9.86	23.4	9.49	21.8	8.81
	-16.7	-17.0	29.1	11.75	27.2	10.85	25.3	9.78	24.3	9.45	23.4	9.11	21.8	8.45
	-13.7	-15.0	29.1	11.20	27.2	10.35	25.3	9.34	24.4	9.04	23.5	8.70	21.8	8.06
	-11.8	-13.0	29.1	10.64	27.2	9.86	25.3	8.89	24.4	8.60	23.5	8.28	21.8	7.68
	-9.8	-11.0	29.2	10.09	27.3	9.34	25.4	8.46	24.4	8.18	23.5	7.88	21.8	7.30
	-9.5	-10.0	29.2	9.82	27.3	9.09	25.4	8.25	24.4	7.98	23.5	7.68	21.8	7.11
	-8.5	-9.1	29.2	9.58	27.3	8.88	25.4	8.04	24.4	7.79	23.5	7.51	21.8	6.95
	-7.0	-7.6	29.1	9.16	27.2	8.53	25.3	7.71	24.4	7.47	23.5	7.20	21.8	6.69
	-5.0	-5.6	28.9	8.59	27.1	7.98	25.2	7.26	24.2	7.03	23.4	6.81	21.8	6.33
	-3.0	-3.7	28.9	8.14	27.1	7.56	25.2	6.89	24.2	6.67	23.4	6.46	21.8	6.02
	0.0	-0.7	28.9	7.47	27.1	6.95	25.2	6.35	24.2	6.15	23.4	5.96	21.8	5.57
	3.0	2.2	28.9	6.88	27.1	6.40	25.2	5.86	24.2	5.68	23.4	5.52	21.8	5.16
	5.0	4.1	28.9	6.53	27.1	6.07	25.2	5.57	24.2	5.41	23.4	5.25	21.8	4.90
	7.0	6.0	28.9	6.19	27.1	5.77	25.2	5.31	24.2	5.14	23.4	5.00	21.8	4.68
	9.0	7.9	28.9	5.88	27.1	5.49	25.2	5.05	24.2	4.91	23.4	4.76	21.8	4.46
	11.0	9.8	28.9	5.59	27.1	5.22	25.2	4.81	24.2	4.68	23.4	4.54	21.8	4.26
	13.0	11.8	28.9	5.31	27.1	4.96	25.2	4.58	24.2	4.46	23.4	4.32	21.8	4.06
15.0	13.7	28.9	5.06	27.1	4.74	25.2	4.38	24.2	4.25	23.4	4.13	21.8	3.87	
18.0	16.8	28.9	4.81	27.1	4.53	25.2	4.20	24.2	4.08	23.4	3.95	21.8	3.69	
20.0	18.5	28.9	4.59	27.1	4.33	25.2	4.04	24.2	3.93	23.4	3.79	21.8	3.53	
24.0	20.5	28.9	4.37	27.1	4.15	25.2	3.76	24.2	3.80	23.4	3.64	21.8	3.38	

GMV-504WM/G-X

TC—Total capacity of outdoor unit; PI—Power input of outdoor unit

Combination	Outdoor air temp		Indoor air temperature °C DB											
			16		18		20		21		22		24	
	°C DB	°C WB	TC	PI	TC	PI	TC	PI	TC	PI	TC	PI	TC	PI
135%	-19.8	-20.0	46.6	12.01	45.5	12.61	44.6	13.05	44.1	13.35	43.8	13.74	42.9	14.31
	-18.8	-19.0	47.0	12.21	46.0	12.81	45.0	13.15	44.6	13.51	44.2	13.81	43.3	14.43
	-16.7	-17.0	47.8	12.50	46.8	13.07	45.9	13.43	45.4	13.64	45.1	14.00	44.2	14.57
	-13.7	-15.0	48.7	12.79	47.6	13.29	46.8	13.62	46.3	13.86	46.0	14.22	45.1	14.68
	-11.8	-13.0	49.4	13.03	48.4	13.46	47.6	13.73	47.1	14.03	46.8	14.29	46.0	14.79
	-9.8	-11.0	50.3	13.23	49.3	13.65	48.5	13.89	48.0	14.10	47.7	14.34	46.9	14.81
	-9.5	-10.0	50.7	13.29	49.7	13.69	48.9	13.89	48.4	14.10	48.1	14.37	47.3	14.76
	-8.5	-9.1	51.1	13.37	50.2	13.76	49.3	13.88	48.9	14.15	48.6	14.36	47.8	14.80
	-7.0	-7.6	51.7	13.44	50.9	13.77	50.0	13.93	49.5	14.11	49.2	14.35	48.4	14.76
	-5.0	-5.6	56.2	14.39	55.3	14.47	54.6	14.94	54.2	15.15	53.8	15.39	53.2	15.76
	-3.0	-3.7	56.9	14.38	56.1	14.73	55.4	14.82	55.0	15.07	54.7	15.25	54.0	15.63
	0.0	-0.7	58.3	14.32	57.4	14.55	56.7	14.63	56.4	14.81	56.1	15.03	56.1	15.48
	3.0	2.2	69.0	16.35	68.4	16.69	67.7	16.82	67.5	17.02	67.3	17.23	63.4	16.74
	5.0	4.1	85.0	19.66	79.3	18.87	73.8	17.76	71.0	17.38	68.2	16.95	63.4	16.21
	7.0	6.0	85.1	19.17	79.4	18.35	73.9	17.27	71.0	15.06	68.3	16.43	64.1	15.49
	9.0	7.9	85.1	18.64	79.5	17.83	73.9	16.74	71.1	16.35	68.8	15.86	64.1	14.56
	11.0	9.8	85.1	18.09	79.5	17.27	73.9	16.17	71.1	15.50	68.8	14.91	64.1	13.71
	13.0	11.8	85.1	17.50	79.5	16.69	73.9	15.16	71.1	14.53	68.8	14.00	64.1	12.87
15.0	13.7	85.1	16.98	79.5	15.74	73.9	14.29	71.1	13.71	68.8	13.19	64.1	12.15	
18.0	16.8	85.1	16.08	79.5	14.98	73.9	13.56	71.1	13.02	68.8	12.47	64.1	11.54	
20.0	18.5	85.1	15.31	79.5	14.31	73.9	12.94	71.1	12.44	68.8	11.85	64.1	11.03	
24.0	20.5	85.1	14.64	79.5	13.76	73.9	12.45	71.1	11.96	68.8	11.32	64.1	10.63	

Combination	Outdoor air temp		Indoor air temperature °C DB											
			16		18		20		21		22		24	
	°C DB	°C WB	TC	PI	TC	PI	TC	PI	TC	PI	TC	PI	TC	PI
120%	-19.8	-20.0	45.4	12.89	44.5	13.42	43.7	13.80	43.4	14.07	43.0	14.37	42.2	14.96
	-18.8	-19.0	45.9	13.07	44.9	13.59	44.2	13.73	43.8	14.21	43.4	14.51	42.7	15.08
	-16.7	-17.0	46.6	13.29	45.8	13.81	45.0	14.03	44.7	14.37	44.3	14.64	43.5	15.15
	-13.7	-15.0	47.5	13.51	46.7	13.97	45.9	14.23	45.6	14.49	45.2	14.74	44.5	15.25
	-11.8	-13.0	48.3	13.71	47.5	14.08	46.7	14.30	46.4	14.54	46.0	14.82	45.3	15.24
	-9.8	-11.0	49.2	13.85	48.4	14.22	47.6	14.35	47.3	14.62	47.0	14.84	46.3	15.32
	-9.5	-10.0	49.6	13.87	48.8	14.23	48.0	14.38	47.7	14.59	47.4	14.70	46.7	15.24
	-8.5	-9.1	50.0	13.92	49.3	14.29	48.5	14.37	48.2	14.62	47.9	14.86	47.2	15.26
	-7.0	-7.6	50.7	13.96	49.9	14.24	49.1	14.36	48.8	14.54	48.5	14.79	47.9	15.11
	-5.0	-5.6	55.2	14.91	54.5	15.25	53.8	15.39	53.5	15.60	53.2	15.79	52.6	16.19
	-3.0	-3.7	56.0	14.88	55.3	15.14	54.6	15.23	54.4	15.42	54.1	15.68	53.4	15.96
	0.0	-0.7	57.3	14.72	56.7	14.95	56.0	15.19	56.1	15.25	55.9	15.49	55.9	15.93
	3.0	2.2	68.3	16.83	67.7	17.15	67.2	17.19	66.4	17.30	60.4	15.94	59.1	15.90
	5.0	4.1	78.4	18.81	73.3	18.03	68.1	16.92	65.6	16.55	63.4	16.22	59.1	14.93
	7.0	6.0	78.5	18.29	73.4	17.45	68.2	16.40	65.7	15.87	63.6	15.28	59.1	14.06
	9.0	7.9	78.6	17.77	73.4	16.97	68.3	15.60	65.7	14.93	63.6	14.37	59.1	13.23
	11.0	9.8	78.6	17.20	73.4	16.19	68.3	14.68	65.7	14.06	63.6	13.53	59.1	12.47
	13.0	11.8	78.6	16.44	73.4	15.18	68.3	13.77	65.7	13.21	63.6	12.72	59.1	11.73
15.0	13.7	78.6	15.48	73.4	14.30	68.3	13.00	65.7	12.45	63.6	12.00	59.1	11.08	
18.0	16.8	78.6	14.63	73.4	13.54	68.3	12.35	65.7	11.81	63.6	11.37	59.1	10.51	
20.0	18.5	78.6	13.86	73.4	12.92	68.3	11.82	65.7	11.26	63.6	10.83	59.1	10.01	
24.0	20.5	78.6	13.18	73.4	12.40	68.3	11.39	65.7	10.80	63.6	10.40	59.1	9.59	
110%	-19.8	-20.0	44.3	13.73	43.5	14.22	42.9	14.51	42.5	14.76	42.2	15.04	41.6	15.59
	-18.8	-19.0	44.7	13.87	44.0	14.29	43.3	14.56	43.0	14.84	42.7	15.16	42.1	15.65
	-16.7	-17.0	45.6	14.06	44.8	14.52	44.2	14.68	43.9	15.01	43.5	15.25	43.0	15.77
	-13.7	-15.0	46.5	14.22	45.8	14.68	45.0	14.83	44.8	15.08	44.5	15.33	44.0	15.82
	-11.8	-13.0	47.3	14.38	46.6	14.72	46.0	14.87	45.6	15.07	45.3	15.36	44.8	15.77
	-9.8	-11.0	48.2	14.43	47.5	14.80	46.9	14.86	46.6	15.15	46.3	15.35	45.8	15.71
	-9.5	-10.0	48.6	14.43	47.9	14.77	47.3	14.89	47.0	15.09	46.7	15.29	46.2	15.69
	-8.5	-9.1	49.1	14.47	48.4	14.81	47.8	14.86	47.5	15.05	47.2	15.31	46.7	15.63
	-7.0	-7.6	49.7	14.48	49.0	14.72	48.4	14.79	48.1	14.99	47.9	15.00	47.3	15.53
	-5.0	-5.6	54.2	15.43	53.7	15.77	53.1	15.86	52.9	16.05	52.6	15.51	52.2	16.65
	-3.0	-3.7	55.1	15.34	54.5	15.58	53.9	15.66	53.7	15.83	55.9	15.50	53.0	16.37
	0.0	-0.7	56.5	15.12	56.1	15.37	55.9	15.51	55.9	15.73	58.2	15.97	54.3	15.70
	3.0	2.2	67.5	17.30	67.1	17.59	63.4	16.75	61.0	16.36	58.6	15.65	54.3	14.29
	5.0	4.1	72.0	17.89	67.2	17.05	62.6	15.83	60.2	15.19	58.2	14.62	54.3	13.45
	7.0	6.0	72.1	17.36	67.3	16.44	62.6	14.89	60.3	14.30	58.2	13.75	54.3	12.66
	9.0	7.9	72.1	16.80	67.4	15.47	62.7	14.04	60.3	13.48	58.2	12.94	54.3	11.94
	11.0	9.8	72.1	15.80	67.4	14.56	62.7	13.22	60.3	12.71	58.2	12.20	54.3	11.26
	13.0	11.8	72.1	14.82	67.4	13.66	62.7	12.43	60.3	11.95	58.2	11.48	54.3	10.61
15.0	13.7	72.1	13.96	67.4	12.88	62.7	11.75	60.3	11.28	58.2	10.87	54.3	10.04	
18.0	16.8	72.1	13.21	67.4	12.21	62.7	10.72	60.3	10.70	58.2	10.35	54.3	9.56	
20.0	18.5	72.1	12.54	67.4	11.61	62.7	10.17	60.3	10.19	58.2	9.92	54.3	9.14	
24.0	20.5	72.1	11.97	67.4	11.08	62.7	9.69	60.3	9.76	58.2	9.56	54.3	8.80	

GMV6 DC Inverter VRF Units Technical Sales Guide

Combination	Outdoor air temp		Indoor air temperature °C DB											
			16		18		20		21		22		24	
	°C DB	°C WB	TC	PI	TC	PI	TC	PI	TC	PI	TC	PI	TC	PI
			kW	kW	kW	kW	kW	kW	kW	kW	kW	kW	kW	kW
100%	-19.8	-20.0	43.2	14.53	42.5	14.96	41.9	15.08	41.6	15.41	41.3	15.62	40.7	16.13
	-18.8	-19.0	43.6	14.65	42.9	15.00	42.3	15.17	42.1	15.43	41.7	15.72	41.2	16.17
	-16.7	-17.0	44.5	14.78	43.8	15.17	43.2	15.24	42.9	15.48	42.6	15.76	42.0	16.14
	-13.7	-15.0	45.4	14.88	44.8	15.27	44.2	15.32	43.9	15.62	43.4	15.74	42.9	16.21
	-11.8	-13.0	46.2	14.98	45.6	15.26	45.0	15.35	44.7	15.55	44.3	15.15	43.7	16.10
	-9.8	-11.0	47.1	14.96	46.4	15.29	45.9	15.31	45.7	15.51	45.1	15.64	44.6	15.97
	-9.5	-10.0	47.5	14.93	46.9	15.24	46.4	15.26	46.1	15.50	45.5	15.56	45.0	15.94
	-8.5	-9.1	47.9	14.93	47.3	15.17	46.8	15.23	46.5	15.41	45.9	15.53	45.4	15.82
	-7.0	-7.6	48.4	14.85	47.9	15.10	47.3	15.11	47.0	15.29	46.6	15.38	46.6	15.88
	-5.0	-5.6	52.7	15.74	52.1	16.00	51.6	16.00	51.5	16.26	51.2	16.41	49.1	16.16
	-3.0	-3.7	53.5	15.60	52.9	15.78	52.4	15.81	52.3	15.99	52.1	16.17	49.4	15.39
	0.0	-0.7	55.9	15.60	55.9	15.90	55.7	16.00	54.8	15.79	53.0	15.19	49.4	13.99
	3.0	2.2	65.2	17.31	60.8	16.48	56.5	14.88	54.8	14.37	53.0	13.84	49.4	12.74
	5.0	4.1	65.2	16.78	60.8	15.49	56.5	14.00	54.8	13.53	53.0	13.04	49.4	12.02
	7.0	6.0	65.2	15.83	60.8	14.56	56.5	12.90	54.8	12.75	53.0	12.28	49.4	11.33
	9.0	7.9	65.2	14.88	60.8	13.70	56.5	12.34	54.8	12.02	53.0	11.58	49.4	10.69
	11.0	9.8	65.2	14.01	60.8	12.91	56.5	11.66	54.8	11.34	53.0	10.93	49.4	10.11
	13.0	11.8	65.2	13.16	60.8	12.14	56.5	10.99	54.8	10.69	53.0	10.31	49.4	9.54
	15.0	13.7	65.2	12.41	60.8	11.45	56.5	10.38	54.8	10.10	53.0	9.74	49.4	9.04
	18.0	16.8	65.2	11.70	60.8	10.93	56.5	10.05	54.8	9.59	53.0	9.23	49.4	8.61
20.0	18.5	65.2	11.04	60.8	10.49	56.5	9.64	54.8	9.16	53.0	8.80	49.4	8.26	
24.0	20.5	65.2	10.44	60.8	10.14	56.5	9.27	54.8	8.82	53.0	8.46	49.4	8.00	
90%	-19.8	-20.0	42.2	15.34	41.7	15.73	41.2	15.79	41.1	16.14	40.8	16.38	40.4	16.77
	-18.8	-19.0	42.7	15.44	42.2	15.81	41.6	15.89	41.5	16.15	41.4	16.41	40.8	16.84
	-16.7	-17.0	43.5	15.53	43.1	15.92	42.6	15.94	42.4	16.17	42.2	16.48	41.8	16.85
	-13.7	-15.0	44.5	15.60	43.9	15.93	43.5	15.93	43.4	16.10	43.2	16.48	42.7	16.78
	-11.8	-13.0	45.3	15.62	44.9	15.89	44.4	15.94	44.3	16.18	44.0	16.35	43.5	16.70
	-9.8	-11.0	46.2	15.55	45.7	15.79	45.4	15.86	45.2	16.05	45.0	16.25	43.5	16.24
	-9.5	-10.0	46.7	15.53	46.3	15.83	45.8	15.78	45.7	16.06	45.4	16.22	43.9	16.08
	-8.5	-9.1	47.0	15.48	46.6	15.70	46.2	15.74	46.0	15.90	45.8	16.09	44.4	15.99
	-7.0	-7.6	47.6	15.38	47.2	15.58	46.7	15.59	46.6	15.78	46.5	15.95	44.4	15.27
	-5.0	-5.6	52.0	16.27	51.5	16.53	51.1	16.46	49.1	16.07	47.6	15.60	44.4	14.37
	-3.0	-3.7	52.8	16.08	52.3	14.49	51.1	15.85	49.1	15.24	47.6	14.70	44.4	13.54
	0.0	-0.7	55.9	16.17	54.3	14.03	51.1	14.40	49.1	13.85	47.6	13.37	44.4	12.32
	3.0	2.2	58.8	15.74	54.9	14.51	51.1	13.14	49.1	12.64	47.6	12.21	44.4	11.27
	5.0	4.1	58.8	14.80	54.9	13.65	51.1	12.39	49.1	11.91	47.6	11.52	44.4	10.64
	7.0	6.0	58.8	13.91	54.9	12.86	51.1	11.68	49.1	11.25	47.6	10.87	44.4	10.05
	9.0	7.9	58.8	13.12	54.9	12.11	51.1	11.02	49.1	10.62	47.6	10.27	44.4	9.50
	11.0	9.8	58.8	12.35	54.9	11.42	51.1	10.42	49.1	10.04	47.6	9.71	44.4	9.00
	13.0	11.8	58.8	11.63	54.9	10.77	51.1	9.83	49.1	9.48	47.6	9.17	44.4	8.50
	15.0	13.7	58.8	10.99	54.9	10.17	51.1	9.31	49.1	8.95	47.6	8.69	44.4	8.07
	18.0	16.8	58.8	10.38	54.9	9.61	51.1	8.84	49.1	8.45	47.6	8.25	44.4	7.67
20.0	18.5	58.8	9.82	54.9	9.09	51.1	8.39	49.1	7.98	47.6	7.83	44.4	7.33	
24.0	20.5	58.8	9.27	54.9	8.58	51.1	7.97	49.1	7.53	47.6	7.44	44.4	7.00	

Combination	Outdoor air temp		Indoor air temperature °C DB											
			16		18		20		21		22		24	
	°C DB	°C WB	TC	PI	TC	PI	TC	PI	TC	PI	TC	PI	TC	PI
			kW	kW	kW	kW	kW	kW	kW	kW	kW	kW	kW	kW
80%	-19.8	-20.0	41.4	16.15	40.9	16.50	40.5	16.49	40.4	16.74	40.3	17.06	38.5	16.83
	-18.8	-19.0	41.8	16.22	41.4	16.55	41.1	16.60	41.0	16.85	40.8	17.07	38.6	16.73
	-16.7	-17.0	42.8	16.29	42.3	16.61	41.9	16.59	41.8	16.81	41.7	17.03	38.6	16.32
	-13.7	-15.0	43.6	16.27	43.3	16.61	42.9	16.57	42.8	16.77	42.2	16.90	39.0	16.05
	-11.8	-13.0	44.6	16.28	44.1	16.49	43.7	16.49	43.7	16.73	42.2	16.42	39.6	15.50
	-9.8	-11.0	45.4	16.14	45.1	16.38	44.7	16.37	44.1	16.36	42.4	15.91	39.6	14.65
	-9.5	-10.0	45.9	16.06	45.5	16.34	45.1	16.25	44.1	16.11	42.4	15.45	39.6	14.22
	-8.5	-9.1	46.3	16.02	45.9	16.23	45.5	16.19	44.1	15.72	42.4	15.04	39.6	13.84
	-7.0	-7.6	46.9	15.90	46.5	16.08	45.7	15.60	44.0	14.98	42.4	14.38	39.6	13.30
	-5.0	-5.6	51.2	14.95	48.8	16.20	45.4	14.59	43.8	14.01	42.4	13.53	39.6	12.47
	-3.0	-3.7	52.1	14.72	48.8	15.25	45.4	13.74	43.8	13.27	42.4	12.76	39.6	11.79
	0.0	-0.7	52.3	15.02	48.8	13.84	45.4	12.53	43.8	12.05	42.4	11.63	39.6	10.75
	3.0	2.2	52.3	13.69	48.8	12.63	45.4	11.46	43.8	11.02	42.4	10.66	39.6	9.86
	5.0	4.1	52.3	12.89	48.8	11.91	45.4	10.82	43.8	10.41	42.4	10.08	39.6	9.33
	7.0	6.0	52.3	12.14	48.8	11.25	45.4	10.22	43.8	9.84	42.4	9.53	39.6	8.83
	9.0	7.9	52.3	11.46	48.8	10.60	45.4	9.71	43.8	9.30	42.4	9.02	39.6	8.36
	11.0	9.8	52.3	10.82	48.8	10.02	45.4	9.15	43.8	8.80	42.4	8.53	39.6	7.93
	13.0	11.8	52.3	10.20	48.8	9.46	45.4	8.65	43.8	8.33	42.4	8.07	39.6	7.50
15.0	13.7	52.3	9.65	48.8	8.97	45.4	8.21	43.8	7.90	42.4	7.66	39.6	7.14	
18.0	16.8	52.3	9.20	48.8	8.53	45.4	7.82	43.8	7.51	42.4	7.26	39.6	6.81	
20.0	18.5	52.3	8.85	48.8	8.17	45.4	7.48	43.8	7.17	42.4	6.92	39.6	6.50	
24.0	20.5	52.3	8.58	48.8	7.91	45.4	7.17	43.8	6.86	42.4	6.61	39.6	6.22	
70%	-19.8	-20.0	40.6	16.96	40.2	17.28	39.9	17.16	38.3	16.76	36.9	16.38	34.5	15.65
	-18.8	-19.0	41.0	17.03	40.8	17.30	39.9	17.04	38.4	16.63	36.9	16.26	34.5	15.32
	-16.7	-17.0	42.0	17.03	41.6	17.26	40.0	16.64	38.4	16.25	36.9	15.82	34.5	14.62
	-13.7	-15.0	42.9	16.95	42.6	17.28	40.0	16.24	38.5	16.15	37.0	15.08	34.5	13.90
	-11.8	-13.0	43.8	16.91	43.0	16.93	40.0	15.50	38.5	14.92	37.0	14.30	34.5	13.18
	-9.8	-11.0	44.8	16.76	43.1	16.31	40.1	14.68	38.6	14.13	37.1	13.54	34.5	12.48
	-9.5	-10.0	45.2	16.64	43.1	15.84	40.1	14.26	38.6	13.73	37.1	13.17	34.5	12.14
	-8.5	-9.1	45.6	16.54	43.1	15.42	40.1	13.89	38.6	13.37	37.1	12.83	34.5	11.83
	-7.0	-7.6	46.0	15.95	43.0	14.70	40.0	13.27	38.5	12.79	37.0	12.26	34.5	11.33
	-5.0	-5.6	45.7	14.89	42.8	13.75	39.8	12.44	38.3	11.97	37.1	11.56	34.5	10.70
	-3.0	-3.7	45.7	14.02	42.8	12.96	39.8	11.74	38.3	11.31	37.1	10.92	34.5	10.11
	0.0	-0.7	45.7	12.76	42.8	11.87	39.8	10.73	38.3	10.34	37.1	10.00	34.5	9.27
	3.0	2.2	45.7	11.66	42.8	0.26	39.8	9.85	38.3	9.49	37.1	9.18	34.5	8.51
	5.0	4.1	45.7	11.01	42.8	10.20	39.8	9.32	38.3	8.98	37.1	8.70	34.5	8.07
	7.0	6.0	45.7	10.40	42.8	9.66	39.8	8.81	38.3	8.50	37.1	8.24	34.5	7.65
	9.0	7.9	45.7	9.84	42.8	9.13	39.8	8.35	38.3	8.06	37.1	7.81	34.5	7.26
	11.0	9.8	45.7	9.30	42.8	8.64	39.8	7.93	38.3	7.65	37.1	7.41	34.5	6.89
	13.0	11.8	45.7	8.79	42.8	8.18	39.8	7.50	38.3	7.26	37.1	7.02	34.5	6.55
15.0	13.7	45.7	8.33	42.8	7.76	39.8	7.12	38.3	6.90	37.1	6.68	34.5	6.24	
18.0	16.8	45.7	7.90	42.8	7.37	39.8	6.78	38.3	6.57	37.1	6.37	34.5	5.96	
20.0	18.5	45.7	7.53	42.8	7.02	39.8	6.47	38.3	6.28	37.1	6.09	34.5	5.72	
24.0	20.5	45.7	7.19	42.8	6.70	39.8	6.22	38.3	6.02	37.1	5.87	34.5	5.51	

GMV6 DC Inverter VRF Units Technical Sales Guide

Combination	Outdoor air temp		Indoor air temperature °C DB											
			16		18		20		21		22		24	
	°C DB	°C WB	TC	PI	TC	PI	TC	PI	TC	PI	TC	PI	TC	PI
			kW	kW	kW	kW	kW	kW	kW	kW	kW	kW	kW	kW
60%	-19.8	-20.0	39.3	17.52	36.8	16.75	34.2	15.20	32.9	14.60	31.8	14.09	29.7	12.99
	-18.8	-19.0	39.4	17.38	36.8	16.54	34.2	14.89	33.0	14.31	31.8	13.78	29.7	12.71
	-16.7	-17.0	39.4	16.95	36.8	15.87	34.2	14.24	33.0	13.69	31.8	13.17	29.7	12.16
	-13.7	-15.0	39.5	16.41	36.9	15.11	34.3	13.58	33.1	13.06	31.8	12.54	29.7	11.58
	-11.8	-13.0	39.5	15.53	36.9	14.31	34.3	12.89	33.1	12.40	31.8	11.92	29.7	11.02
	-9.8	-11.0	39.5	14.69	37.0	13.55	34.4	12.23	33.1	11.75	31.8	11.29	29.7	10.45
	-9.5	-10.0	39.6	14.29	37.0	13.18	34.4	11.90	33.1	11.45	31.8	10.98	29.7	10.16
	-8.5	-9.1	39.6	13.91	37.0	12.85	34.4	11.61	33.1	11.16	31.8	10.71	29.7	9.92
	-7.0	-7.6	39.5	13.28	36.9	12.27	34.3	11.10	33.1	10.68	31.8	10.27	29.7	9.53
	-5.0	-5.6	39.3	12.43	36.7	11.50	34.1	10.42	32.9	10.03	31.8	9.70	29.7	9.01
	-3.0	-3.7	39.3	11.74	36.7	10.86	34.1	9.90	32.9	9.50	31.8	9.19	29.7	8.53
	0.0	-0.7	39.3	10.72	36.7	9.95	34.1	9.05	32.9	8.72	31.8	8.44	29.7	7.84
	3.0	2.2	39.3	9.83	36.7	9.13	34.1	8.34	32.9	8.03	31.8	7.79	29.7	0.31
	5.0	4.1	39.3	9.30	36.7	8.64	34.1	7.89	32.9	7.62	31.8	7.38	29.7	6.88
	7.0	6.0	39.3	8.80	36.7	8.18	34.1	7.49	32.9	7.23	31.8	7.02	29.7	6.53
	9.0	7.9	39.3	8.34	36.7	7.76	34.1	7.11	32.9	6.87	31.8	6.66	29.7	6.22
	11.0	9.8	39.3	7.91	36.7	7.37	34.1	6.77	32.9	6.53	31.8	6.33	29.7	5.93
	13.0	11.8	39.3	7.48	36.7	6.98	34.1	6.43	32.9	6.20	31.8	6.02	29.7	5.63
	15.0	13.7	39.3	7.13	36.7	6.63	34.1	6.12	32.9	5.91	31.8	5.74	29.7	5.37
	18.0	16.8	39.3	6.81	36.7	6.31	34.1	5.84	32.9	5.65	31.8	5.50	29.7	5.15
20.0	18.5	39.3	6.52	36.7	6.03	34.1	5.60	32.9	5.43	31.8	5.30	29.7	4.96	
24.0	20.5	39.3	6.27	36.7	5.79	34.1	5.40	32.9	5.24	31.8	5.12	29.7	4.79	
50%	-19.8	-20.0	32.8	14.72	30.6	13.55	28.6	12.20	27.5	11.82	26.4	11.33	24.7	10.51
	-18.8	-19.0	32.9	14.41	30.7	13.28	28.6	11.98	27.5	11.58	26.4	11.10	24.7	10.31
	-16.7	-17.0	32.9	13.77	30.7	12.69	28.6	11.47	27.6	11.10	26.5	10.66	24.7	9.88
	-13.7	-15.0	33.0	13.13	30.8	12.12	28.7	10.95	27.6	10.61	26.5	10.18	24.7	9.43
	-11.8	-13.0	33.0	12.47	30.8	11.53	28.7	10.43	27.6	10.10	26.5	9.69	24.7	8.99
	-9.8	-11.0	33.0	11.83	30.8	10.93	28.7	9.92	27.6	9.60	26.6	9.23	24.7	8.54
	-9.5	-10.0	33.0	11.51	30.8	10.63	28.7	9.67	27.7	9.37	26.6	8.99	24.7	8.32
	-8.5	-9.1	33.0	11.22	30.8	10.39	28.7	9.43	27.7	9.15	26.6	8.79	24.7	8.13
	-7.0	-7.6	33.0	10.74	30.8	9.98	28.7	9.04	27.6	8.77	26.5	8.43	24.7	7.82
	-5.0	-5.6	32.8	10.07	30.6	9.34	28.5	8.52	27.4	8.26	26.5	7.97	24.7	7.41
	-3.0	-3.7	32.8	9.53	30.6	8.85	28.5	8.08	27.4	7.83	26.5	7.56	24.7	7.05
	0.0	-0.7	32.8	8.75	30.6	8.13	28.5	7.45	27.4	7.22	26.5	6.98	24.7	6.51
	3.0	2.2	32.8	8.06	30.6	7.49	28.5	6.87	27.4	6.67	26.5	6.46	24.7	6.03
	5.0	4.1	32.8	7.65	30.6	7.11	28.5	6.53	27.4	6.35	26.5	6.14	24.7	5.74
	7.0	6.0	32.8	7.26	30.6	6.76	28.5	6.22	27.4	6.04	26.5	5.84	24.7	5.48
	9.0	7.9	32.8	6.89	30.6	6.42	28.5	5.92	27.4	5.76	26.5	5.57	24.7	5.22
	11.0	9.8	32.8	6.55	30.6	6.10	28.5	5.64	27.4	5.49	26.5	5.31	24.7	4.98
	13.0	11.8	32.8	6.23	30.6	5.81	28.5	5.37	27.4	5.23	26.5	5.05	24.7	4.75
	15.0	13.7	32.8	5.93	30.6	5.54	28.5	5.13	27.4	4.99	26.5	4.83	24.7	4.53
	18.0	16.8	32.8	5.64	30.6	5.30	28.5	4.93	27.4	4.78	26.5	4.62	24.7	4.32
20.0	18.5	32.8	5.37	30.6	5.07	28.5	4.74	27.4	4.61	26.5	4.43	24.7	4.13	
24.0	20.5	32.8	5.12	30.6	4.86	28.5	4.41	27.4	4.46	26.5	4.26	24.7	3.96	

GMV-560WM/G-X

TC—Total capacity of outdoor unit; PI—Power input of outdoor unit

Combination	Outdoor air temp		Indoor air temperature °C DB											
			16		18		20		21		22		24	
	°C DB	°C WB	TC	PI	TC	PI	TC	PI	TC	PI	TC	PI	TC	PI
135%	-19.8	-20.0	48.3	11.75	48.1	12.59	48.0	13.25	47.9	13.68	47.9	14.18	47.7	15.02
	-18.8	-19.0	48.7	11.95	48.6	12.78	48.4	13.35	48.4	13.84	48.3	14.25	48.3	15.16
	-16.7	-17.0	49.6	12.25	49.5	13.05	49.4	13.64	49.3	13.98	49.3	14.45	49.1	15.29
	-13.7	-15.0	50.6	12.55	50.5	13.29	50.3	13.82	50.2	14.19	50.2	14.65	50.1	15.40
	-11.8	-13.0	51.4	12.80	51.4	13.47	51.2	13.94	51.2	14.37	51.1	14.74	51.0	15.46
	-9.8	-11.0	52.4	13.02	52.3	13.66	52.1	14.09	52.1	14.42	52.0	14.77	52.0	15.48
	-9.5	-10.0	52.8	13.07	52.7	13.68	52.6	14.11	52.6	14.44	52.5	14.82	52.4	15.42
	-8.5	-9.1	53.3	13.17	53.2	13.75	53.0	14.09	53.0	14.46	53.0	14.80	52.9	15.45
	-7.0	-7.6	53.9	13.24	53.8	13.75	53.7	14.12	53.7	14.43	53.6	14.77	53.5	15.39
	-5.0	-5.6	56.1	13.56	55.9	13.81	55.8	14.41	55.8	14.72	55.8	15.04	55.6	15.56
	-3.0	-3.7	58.3	13.91	58.1	14.40	58.1	14.67	57.9	14.96	57.9	15.24	57.7	15.76
	0.0	-0.7	62.9	14.59	62.9	15.04	62.7	15.27	62.7	15.53	62.5	15.81	62.5	16.29
	3.0	2.2	67.9	15.19	67.7	15.60	67.5	15.82	67.5	16.06	67.5	16.32	67.3	16.76
	5.0	4.1	71.3	15.57	71.1	15.97	71.1	16.15	70.9	16.39	70.9	16.63	70.7	17.05
	7.0	6.0	74.9	15.94	74.7	16.30	74.7	16.48	74.5	14.91	74.5	16.92	71.5	16.30
	9.0	7.9	78.7	16.26	78.5	16.63	78.5	16.77	78.3	16.99	76.7	16.69	71.5	15.32
	11.0	9.8	82.7	16.59	82.5	16.92	82.1	16.94	79.3	16.31	76.7	15.68	71.5	14.43
	13.0	11.8	87.3	16.95	86.9	17.23	82.4	15.94	79.3	15.29	76.7	14.73	71.5	13.54
	15.0	13.7	92.8	17.48	88.6	16.56	82.4	15.03	79.3	14.43	76.7	13.88	71.5	12.78
	18.0	16.8	92.8	16.55	88.6	15.77	82.4	14.26	79.3	13.71	76.7	13.12	71.5	12.15
20.0	18.5	92.8	15.75	88.6	15.06	82.4	13.61	79.3	13.10	76.7	12.47	71.5	11.60	
24.0	20.5	92.8	15.06	88.6	14.49	82.4	13.09	79.3	12.59	76.7	11.91	71.5	11.19	
120%	-19.8	-20.0	48.0	12.87	48.0	13.67	47.8	14.24	47.8	14.63	47.8	15.08	47.7	15.94
	-18.8	-19.0	48.6	13.06	48.4	13.84	48.3	14.16	48.3	14.80	48.3	15.21	48.1	16.04
	-16.7	-17.0	49.4	13.30	49.4	14.07	49.2	14.48	49.2	14.93	49.1	15.32	49.1	16.12
	-13.7	-15.0	50.5	13.54	50.3	14.22	50.1	14.66	50.2	15.07	50.1	15.43	50.0	16.16
	-11.8	-13.0	51.3	13.73	51.2	14.33	51.1	14.74	51.0	15.09	51.0	15.49	50.9	16.14
	-9.8	-11.0	52.3	13.88	52.1	14.46	52.0	14.77	52.0	15.18	52.0	15.49	51.8	16.16
	-9.5	-10.0	52.7	13.90	52.5	14.47	52.5	14.82	52.4	15.14	52.4	15.33	52.2	16.07
	-8.5	-9.1	53.2	13.96	53.0	14.51	53.0	14.80	52.9	15.15	52.9	15.47	52.7	16.07
	-7.0	-7.6	53.8	14.00	53.7	14.48	53.6	14.77	53.5	15.06	53.5	15.39	53.4	15.93
	-5.0	-5.6	55.9	14.26	55.8	14.75	55.7	15.04	55.7	15.31	55.6	15.58	55.5	16.10
	-3.0	-3.7	58.1	14.57	58.1	15.02	57.9	15.24	57.9	15.50	57.7	15.78	57.7	16.26
	0.0	-0.7	62.7	15.19	62.7	15.61	62.5	15.98	62.5	16.04	62.3	16.29	62.3	16.76
	3.0	2.2	67.7	15.75	67.5	16.13	67.5	16.30	67.3	16.54	67.3	16.77	65.9	16.72
	5.0	4.1	71.1	16.10	70.9	16.46	70.9	16.61	70.7	16.83	70.7	17.06	65.9	15.71
	7.0	6.0	74.7	16.43	74.7	16.77	74.5	16.90	73.3	16.71	70.9	16.07	65.9	14.79
	9.0	7.9	78.5	16.76	78.3	17.08	75.7	16.32	73.3	15.71	70.9	15.12	65.9	13.92
	11.0	9.8	82.5	17.05	81.3	16.92	76.1	15.44	73.3	14.79	70.9	14.23	65.9	13.12
	13.0	11.8	87.2	17.23	81.9	15.98	76.1	14.49	73.3	13.90	70.9	13.39	65.9	12.34
	15.0	13.7	87.6	16.30	81.9	15.05	76.1	13.68	73.3	13.11	70.9	12.63	65.9	11.66
	18.0	16.8	87.6	15.40	81.9	14.26	76.1	13.00	73.3	12.42	70.9	11.96	65.9	11.06
20.0	18.5	87.6	14.59	81.9	13.61	76.1	12.44	73.3	11.85	70.9	11.40	65.9	10.53	
24.0	20.5	87.6	13.88	81.9	13.05	76.1	11.99	73.3	11.36	70.9	10.95	65.9	10.09	

GMV6 DC Inverter VRF Units Technical Sales Guide

Combination	Outdoor air temp		Indoor air temperature °C DB											
			16		18		20		21		22		24	
	°C DB	°C WB	TC	PI	TC	PI	TC	PI	TC	PI	TC	PI	TC	PI
			kW	kW	kW	kW	kW	kW	kW	kW	kW	kW	kW	kW
110%	-19.8	-20.0	47.9	14.02	47.8	14.76	47.7	15.23	47.7	15.64	47.7	16.02	47.5	16.82
	-18.8	-19.0	48.4	14.19	48.3	14.82	48.2	15.30	48.2	15.67	48.1	16.13	48.1	16.86
	-16.7	-17.0	49.3	14.36	49.2	15.06	49.1	15.40	49.0	15.82	49.1	16.23	48.9	16.94
	-13.7	-15.0	50.3	14.53	50.1	15.17	50.1	15.55	50.0	15.90	50.0	16.24	49.9	16.96
	-11.8	-13.0	51.1	14.67	51.1	15.22	50.9	15.54	50.9	15.85	50.9	16.27	50.8	16.86
	-9.8	-11.0	52.1	14.74	52.0	15.28	51.9	15.53	51.9	15.91	51.8	16.20	51.8	16.77
	-9.5	-10.0	52.5	14.72	52.4	15.24	52.3	15.55	52.3	15.83	52.2	16.12	52.2	16.73
	-8.5	-9.1	53.0	14.76	52.9	15.27	52.8	15.50	52.8	15.78	52.7	16.13	52.7	16.64
	-7.0	-7.6	53.6	14.76	53.6	15.19	53.4	15.42	53.4	15.69	53.4	15.80	53.3	16.51
	-5.0	-5.6	55.8	14.97	55.6	15.42	55.6	15.64	55.5	15.90	57.5	15.99	55.4	16.70
	-3.0	-3.7	57.9	15.23	57.9	15.62	57.7	15.80	57.7	16.05	62.3	16.31	57.5	16.77
	0.0	-0.7	62.5	15.79	62.5	16.17	62.3	16.31	62.3	16.54	64.9	16.80	60.5	16.52
	3.0	2.2	67.5	16.32	67.3	16.66	67.3	16.78	67.1	16.99	64.9	16.35	60.5	15.04
	5.0	4.1	70.9	16.63	70.9	16.97	69.5	16.59	67.1	15.97	64.9	15.38	60.5	14.15
	7.0	6.0	74.5	16.94	73.9	17.05	69.8	15.65	67.1	15.03	64.9	14.46	60.5	13.32
	9.0	7.9	78.3	17.21	75.1	16.29	69.9	14.76	67.2	14.16	64.9	13.61	60.5	12.56
	11.0	9.8	80.5	16.64	75.1	15.32	69.9	13.90	67.2	13.35	64.9	12.84	60.5	11.85
	13.0	11.8	80.5	15.61	75.1	14.38	69.9	13.07	67.2	12.56	64.9	12.08	60.5	11.16
	15.0	13.7	80.5	14.71	75.1	13.56	69.9	12.35	67.2	11.86	64.9	11.43	60.5	10.56
	18.0	16.8	80.5	13.92	75.1	12.85	69.9	11.27	67.2	11.25	64.9	10.89	60.5	10.06
20.0	18.5	80.5	13.21	75.1	12.22	69.9	10.69	67.2	10.71	64.9	10.44	60.5	9.62	
24.0	20.5	80.5	12.61	75.1	11.67	69.9	10.19	67.2	10.26	64.9	10.06	60.5	9.26	
100%	-19.8	-20.0	47.6	15.12	47.5	15.79	47.4	16.09	47.3	16.53	47.2	16.85	47.1	17.62
	-18.8	-19.0	48.1	15.27	47.9	15.82	47.8	16.18	47.8	16.53	47.7	16.97	47.5	17.59
	-16.7	-17.0	49.0	15.37	48.9	16.00	48.7	16.22	48.7	16.58	48.5	16.93	48.4	17.56
	-13.7	-15.0	50.0	15.48	49.8	16.04	49.7	16.26	49.6	16.66	49.4	16.91	49.2	17.55
	-11.8	-13.0	50.8	15.56	50.7	16.02	50.5	16.26	50.6	16.59	50.2	16.20	50.2	17.43
	-9.8	-11.0	51.8	15.55	51.6	16.03	51.5	16.19	51.4	16.48	51.1	16.73	51.0	17.20
	-9.5	-10.0	52.2	15.51	52.1	16.00	51.9	16.12	52.0	16.48	51.5	16.62	51.4	17.16
	-8.5	-9.1	52.6	15.49	52.4	15.88	52.3	16.07	52.3	16.33	51.9	16.57	51.8	17.01
	-7.0	-7.6	53.1	15.39	53.0	15.78	52.8	15.92	52.9	16.21	52.5	16.36	52.5	16.88
	-5.0	-5.6	55.1	15.54	54.9	15.92	54.9	16.05	54.7	16.31	54.7	16.54	54.7	17.00
	-3.0	-3.7	57.7	15.89	57.7	16.25	57.5	16.37	57.5	16.60	57.5	16.84	55.1	16.19
	0.0	-0.7	62.3	16.41	62.3	16.74	62.1	16.83	61.1	16.61	59.1	15.98	55.1	14.72
	3.0	2.2	67.3	16.87	67.1	17.17	63.1	15.68	61.1	15.11	59.1	14.56	55.1	13.40
	5.0	4.1	70.7	17.18	67.1	16.13	63.0	14.73	61.1	14.24	59.1	13.71	55.1	12.65
	7.0	6.0	71.1	16.30	67.1	15.17	63.0	13.10	61.1	13.41	59.1	12.92	55.1	11.92
	9.0	7.9	72.7	15.66	67.8	14.42	63.0	12.98	61.1	12.64	59.1	12.18	55.1	11.25
	11.0	9.8	72.7	14.75	67.8	13.59	63.0	12.26	61.1	11.92	59.1	11.50	55.1	10.63
	13.0	11.8	72.7	13.85	67.8	12.78	63.0	11.56	61.1	11.24	59.1	10.85	55.1	10.04
	15.0	13.7	72.7	13.06	67.8	12.06	63.0	10.92	61.1	10.63	59.1	10.25	55.1	9.51
	18.0	16.8	72.7	12.32	67.8	11.51	63.0	10.57	61.1	10.09	59.1	9.71	55.1	9.06
20.0	18.5	72.7	11.63	67.8	11.04	63.0	10.14	61.1	9.64	59.1	9.26	55.1	8.69	
24.0	20.5	72.7	10.99	67.8	10.67	63.0	9.75	61.1	9.28	59.1	8.90	55.1	8.42	

Combination	Outdoor air temp		Indoor air temperature °C DB											
			16		18		20		21		22		24	
	°C DB	°C WB	TC	PI	TC	PI	TC	PI	TC	PI	TC	PI	TC	PI
			kW	kW	kW	kW	kW	kW	kW	kW	kW	kW	kW	kW
90%	-19.8	-20.0	47.4	16.27	47.4	16.89	47.3	17.11	47.3	17.54	47.4	17.93	47.1	18.47
	-18.8	-19.0	48.0	16.39	47.8	16.91	47.8	17.19	47.9	17.57	47.8	17.90	47.7	18.56
	-16.7	-17.0	48.8	16.45	48.8	17.03	48.7	17.20	48.7	17.54	48.7	17.93	48.4	18.43
	-13.7	-15.0	49.8	16.49	49.7	17.01	49.6	17.15	49.6	17.37	49.5	17.81	48.5	18.01
	-11.8	-13.0	50.7	16.49	50.7	16.96	50.6	17.12	50.6	17.42	50.5	17.69	48.5	17.59
	-9.8	-11.0	51.6	16.41	51.5	16.79	51.4	16.96	51.5	17.28	51.5	17.55	48.6	17.10
	-9.5	-10.0	52.1	16.34	52.0	16.81	51.9	16.85	52.0	17.23	51.9	17.49	48.9	16.91
	-8.5	-9.1	52.5	16.31	52.3	16.65	52.3	16.80	52.4	17.08	52.3	17.34	49.5	16.83
	-7.0	-7.6	53.0	16.15	52.9	16.50	52.9	16.65	52.9	16.89	52.8	17.12	49.5	16.07
	-5.0	-5.6	54.9	16.23	54.6	16.55	54.7	16.64	54.6	16.83	53.1	16.41	49.5	15.11
	-3.0	-3.7	57.5	16.54	57.5	15.04	56.9	16.66	54.8	16.02	53.1	15.46	49.5	14.25
	0.0	-0.7	62.3	17.02	60.5	14.77	56.9	15.14	54.8	14.56	53.1	14.06	49.5	12.97
	3.0	2.2	64.1	16.21	60.5	15.09	56.9	13.81	54.8	13.30	53.1	12.84	49.5	11.86
	5.0	4.1	64.6	15.35	61.2	14.37	56.9	13.02	54.8	12.53	53.1	12.12	49.5	11.19
	7.0	6.0	65.5	14.64	61.2	13.54	56.9	12.27	54.8	11.83	53.1	11.44	49.5	10.58
	9.0	7.9	65.5	13.80	61.2	12.74	56.9	11.58	54.8	11.17	53.1	10.81	49.5	10.00
	11.0	9.8	65.5	12.99	61.2	12.02	56.9	10.95	54.8	10.56	53.1	10.21	49.5	9.47
	13.0	11.8	65.5	12.23	61.2	11.34	56.9	10.33	54.8	9.97	53.1	9.65	49.5	8.95
	15.0	13.7	65.5	11.56	61.2	10.71	56.9	9.79	54.8	9.41	53.1	9.15	49.5	8.49
	18.0	16.8	65.5	10.92	61.2	10.12	56.9	9.29	54.8	8.89	53.1	8.68	49.5	8.07
20.0	18.5	65.5	10.33	61.2	9.56	56.9	8.82	54.8	8.39	53.1	8.24	49.5	7.71	
24.0	20.5	65.5	9.75	61.2	9.03	56.9	8.37	54.8	7.92	53.1	7.83	49.5	7.37	
80%	-19.8	-20.0	47.3	17.43	47.2	17.99	47.2	18.10	47.3	18.47	46.9	18.76	43.0	17.72
	-18.8	-19.0	47.8	17.52	47.7	17.97	47.6	18.15	47.7	18.52	47.0	18.53	43.0	17.60
	-16.7	-17.0	48.7	17.51	48.6	18.04	48.6	18.12	48.6	18.43	47.0	18.13	43.1	17.17
	-13.7	-15.0	49.7	17.49	49.5	17.95	49.5	18.01	49.1	18.14	47.1	17.78	43.5	16.88
	-11.8	-13.0	50.5	17.42	50.5	17.82	50.4	17.92	49.1	17.72	47.1	17.28	44.1	16.31
	-9.8	-11.0	51.5	17.27	51.3	17.61	51.0	17.61	49.2	17.21	47.3	16.73	44.1	15.41
	-9.5	-10.0	51.9	17.17	51.9	17.58	51.0	17.32	49.2	16.94	47.3	16.25	44.1	14.96
	-8.5	-9.1	52.3	17.11	52.3	17.45	51.0	17.10	49.2	16.54	47.3	15.82	44.1	14.56
	-7.0	-7.6	52.8	16.91	52.8	17.22	50.9	16.41	49.1	15.75	47.3	15.13	44.1	13.99
	-5.0	-5.6	54.7	15.08	54.5	17.05	50.6	15.34	48.8	14.74	47.3	14.23	44.1	13.12
	-3.0	-3.7	56.9	15.17	54.5	16.05	50.6	14.46	48.8	13.96	47.3	13.42	44.1	12.40
	0.0	-0.7	56.9	15.43	54.5	14.57	50.6	13.18	48.8	12.68	47.3	12.24	44.1	11.31
	3.0	2.2	58.3	14.41	54.5	13.29	50.6	12.06	48.8	11.59	47.3	11.21	44.1	10.37
	5.0	4.1	58.3	13.57	54.5	12.53	50.6	11.38	48.8	10.95	47.3	10.60	44.1	9.81
	7.0	6.0	58.3	12.78	54.5	11.85	50.6	10.75	48.8	10.36	47.3	10.03	44.1	9.29
	9.0	7.9	58.3	12.07	54.5	11.16	50.6	10.22	48.8	9.78	47.3	9.48	44.1	8.80
	11.0	9.8	58.3	11.39	54.5	10.55	50.6	9.63	48.8	9.26	47.3	8.98	44.1	8.34
	13.0	11.8	58.3	10.74	54.5	9.96	50.6	9.11	48.8	8.76	47.3	8.49	44.1	7.89
	15.0	13.7	58.3	10.16	54.5	9.44	50.6	8.64	48.8	8.31	47.3	8.06	44.1	7.51
	18.0	16.8	58.3	9.69	54.5	8.97	50.6	8.23	48.8	7.90	47.3	7.64	44.1	7.17
20.0	18.5	58.3	9.31	54.5	8.60	50.6	7.87	48.8	7.54	47.3	7.28	44.1	6.84	
24.0	20.5	58.3	9.03	54.5	8.33	50.6	7.54	48.8	7.22	47.3	6.95	44.1	6.55	

GMV6 DC Inverter VRF Units Technical Sales Guide

Combination	Outdoor air temp		Indoor air temperature °C DB											
			16		18		20		21		22		24	
	°C DB	°C WB	TC	PI	TC	PI	TC	PI	TC	PI	TC	PI	TC	PI
			kW	kW	kW	kW	kW	kW	kW	kW	kW	kW	kW	kW
70%	-19.8	-20.0	47.1	18.59	47.1	19.09	44.4	18.02	42.8	17.63	41.1	17.23	38.5	16.46
	-18.8	-19.0	47.7	18.68	47.6	19.08	44.5	17.89	42.8	17.51	41.1	17.10	38.5	16.12
	-16.7	-17.0	48.5	18.58	47.9	18.74	44.5	17.48	42.9	17.10	41.2	16.64	38.5	15.38
	-13.7	-15.0	49.5	18.49	48.0	18.36	44.6	17.05	43.0	139.12	41.3	15.86	38.5	14.62
	-11.8	-13.0	50.3	18.35	48.0	17.83	44.6	16.28	43.0	15.71	41.3	15.04	38.5	13.87
	-9.8	-11.0	51.3	18.14	48.0	17.17	44.7	15.42	43.0	14.87	41.3	14.24	38.5	13.13
	-9.5	-10.0	51.5	17.89	48.1	16.68	44.7	14.98	43.0	14.45	41.4	13.85	38.5	12.77
	-8.5	-9.1	51.5	17.63	48.1	16.23	44.7	14.59	43.0	14.08	41.4	13.50	38.5	12.45
	-7.0	-7.6	51.4	16.80	48.0	15.47	44.6	13.94	43.0	13.46	41.3	12.90	38.5	11.92
	-5.0	-5.6	51.1	15.69	47.7	14.47	44.3	13.06	42.7	12.60	41.3	12.15	38.5	11.25
	-3.0	-3.7	51.1	14.78	47.7	13.64	44.3	12.34	42.7	11.90	41.3	11.49	38.5	10.64
	0.0	-0.7	51.1	13.45	47.7	12.49	44.3	11.27	42.7	10.89	41.3	10.52	38.5	9.75
	3.0	2.2	51.1	12.29	47.7	0.28	44.3	10.35	42.7	9.99	41.3	9.66	38.5	8.96
	5.0	4.1	51.1	11.60	47.7	10.74	44.3	9.79	42.7	9.45	41.3	9.15	38.5	8.49
	7.0	6.0	51.1	10.96	47.7	10.16	44.3	9.26	42.7	8.95	41.3	8.67	38.5	8.05
	9.0	7.9	51.1	10.37	47.7	9.61	44.3	8.78	42.7	8.49	41.3	8.22	38.5	7.64
	11.0	9.8	51.1	9.80	47.7	9.09	44.3	8.33	42.7	8.05	41.3	7.80	38.5	7.25
	13.0	11.8	51.1	9.26	47.7	8.61	44.3	7.88	42.7	7.64	41.3	7.38	38.5	6.89
	15.0	13.7	51.1	8.78	47.7	8.17	44.3	7.49	42.7	7.26	41.3	7.02	38.5	6.56
	18.0	16.8	51.1	8.33	47.7	7.76	44.3	7.13	42.7	6.92	41.3	6.70	38.5	6.27
20.0	18.5	51.1	7.93	47.7	7.39	44.3	6.80	42.7	6.61	41.3	6.41	38.5	6.02	
24.0	20.5	51.1	7.58	47.7	7.06	44.3	6.53	42.7	6.34	41.3	6.17	38.5	5.80	
60%	-19.8	-20.0	43.9	18.44	41.0	17.63	38.1	15.98	36.7	15.33	35.5	14.81	33.1	13.66
	-18.8	-19.0	43.9	18.30	41.0	17.41	38.1	15.66	36.7	15.03	35.5	14.49	33.1	13.37
	-16.7	-17.0	43.9	17.85	41.1	16.71	38.2	14.97	36.7	14.37	35.5	13.85	33.1	12.79
	-13.7	-15.0	44.0	17.27	41.1	15.90	38.3	14.28	36.8	13.71	35.5	13.19	33.1	12.18
	-11.8	-13.0	44.0	16.35	41.1	15.06	38.3	13.55	36.8	13.02	35.5	12.53	33.1	11.59
	-9.8	-11.0	44.1	15.47	41.2	14.26	38.3	12.86	36.9	12.35	35.5	11.87	33.1	10.99
	-9.5	-10.0	44.1	15.04	41.2	13.88	38.3	12.51	36.9	12.03	35.5	11.55	33.1	10.69
	-8.5	-9.1	44.1	14.65	41.2	13.52	38.3	12.21	36.9	11.73	35.5	11.26	33.1	10.44
	-7.0	-7.6	44.0	13.98	41.1	12.92	38.3	11.67	36.8	11.22	35.5	10.80	33.1	10.02
	-5.0	-5.6	43.8	13.09	40.9	12.10	38.0	10.96	36.6	10.53	35.5	10.20	33.1	9.48
	-3.0	-3.7	43.8	12.36	40.9	11.43	38.0	10.41	36.6	9.98	35.5	9.67	33.1	8.97
	0.0	-0.7	43.8	11.29	40.9	10.47	38.0	9.52	36.6	9.16	35.5	8.88	33.1	8.25
	3.0	2.2	43.8	10.35	40.9	9.62	38.0	8.77	36.6	8.43	35.5	8.19	33.1	0.33
	5.0	4.1	43.8	9.79	40.9	9.10	38.0	8.31	36.6	8.00	35.5	7.76	33.1	7.23
	7.0	6.0	43.8	9.26	40.9	8.61	38.0	7.88	36.6	7.59	35.5	7.38	33.1	6.87
	9.0	7.9	43.8	8.78	40.9	8.17	38.0	7.48	36.6	7.22	35.5	7.00	33.1	6.54
	11.0	9.8	43.8	8.33	40.9	7.76	38.0	7.12	36.6	6.86	35.5	6.66	33.1	6.24
	13.0	11.8	43.8	7.88	40.9	7.35	38.0	6.76	36.6	6.52	35.5	6.33	33.1	5.93
	15.0	13.7	43.8	7.50	40.9	6.98	38.0	6.44	36.6	6.21	35.5	6.04	33.1	5.65
	18.0	16.8	43.8	7.16	40.9	6.65	38.0	6.15	36.6	5.94	35.5	5.79	33.1	5.42
20.0	18.5	43.8	6.86	40.9	6.35	38.0	5.90	36.6	5.71	35.5	5.57	33.1	5.22	
24.0	20.5	43.8	6.60	40.9	6.09	38.0	5.68	36.6	5.51	35.5	5.39	33.1	5.04	

Combination	Outdoor air temp		Indoor air temperature °C DB											
			16		18		20		21		22		24	
	°C DB	°C WB	TC	PI	TC	PI	TC	PI	TC	PI	TC	PI	TC	PI
50%	-19.8	-20.0	36.6	15.47	34.2	14.26	31.8	12.80	30.6	12.42	29.4	11.92	27.5	11.06
	-18.8	-19.0	36.6	15.15	34.2	13.98	31.8	12.57	30.7	12.16	29.5	11.68	27.5	10.84
	-16.7	-17.0	36.6	14.47	34.2	13.36	31.8	12.04	30.7	11.66	29.5	11.21	27.5	10.39
	-13.7	-15.0	36.7	13.80	34.3	12.75	31.9	11.50	30.8	11.15	29.6	10.71	27.5	9.92
	-11.8	-13.0	36.7	13.11	34.3	12.14	31.9	10.95	30.8	10.61	29.6	10.19	27.5	9.45
	-9.8	-11.0	36.8	12.43	34.4	11.51	32.0	10.41	30.8	10.09	29.6	9.71	27.5	8.98
	-9.5	-10.0	36.8	12.10	34.4	11.20	32.0	10.15	30.8	9.84	29.6	9.46	27.5	8.75
	-8.5	-9.1	36.8	11.80	34.4	10.93	32.0	9.90	30.8	9.61	29.6	9.24	27.5	8.55
	-7.0	-7.6	36.7	11.29	34.3	10.50	31.9	9.49	30.8	9.22	29.6	8.87	27.5	8.23
	-5.0	-5.6	36.5	10.58	34.1	9.83	31.7	8.94	30.6	8.68	29.5	8.38	27.5	7.79
	-3.0	-3.7	36.5	10.02	34.1	9.31	31.7	8.48	30.6	8.23	29.5	7.95	27.5	7.41
	0.0	-0.7	36.5	9.20	34.1	8.55	31.7	7.82	30.6	7.59	29.5	7.34	27.5	6.85
	3.0	2.2	36.5	8.47	34.1	7.89	31.7	7.22	30.6	7.01	29.5	6.80	27.5	6.34
	5.0	4.1	36.5	8.04	34.1	7.48	31.7	6.86	30.6	6.67	29.5	6.45	27.5	6.03
	7.0	6.0	36.5	7.63	34.1	7.11	31.7	6.54	30.6	6.35	29.5	6.15	27.5	5.76
	9.0	7.9	36.5	7.24	34.1	6.76	31.7	6.21	30.6	6.06	29.5	5.86	27.5	5.49
	11.0	9.8	36.5	6.88	34.1	6.43	31.7	5.93	30.6	5.77	29.5	5.59	27.5	5.24
	13.0	11.8	36.5	6.55	34.1	6.11	31.7	5.64	30.6	5.50	29.5	5.32	27.5	5.00
15.0	13.7	36.5	6.23	34.1	5.83	31.7	5.39	30.6	5.25	29.5	5.08	27.5	4.76	
18.0	16.8	36.5	5.93	34.1	5.58	31.7	5.17	30.6	5.03	29.5	4.86	27.5	4.55	
20.0	18.5	36.5	5.65	34.1	5.33	31.7	4.98	30.6	4.85	29.5	4.66	27.5	4.35	
24.0	20.5	36.5	5.39	34.1	5.11	31.7	4.63	30.6	4.69	29.5	4.48	27.5	4.16	

GMV-615WM/G-X

TC—Total capacity of outdoor unit; PI—Power input of outdoor unit

Combination	Outdoor air temp		Indoor air temperature °C DB											
			16		18		20		21		22		24	
	°C DB	°C WB	TC	PI	TC	PI	TC	PI	TC	PI	TC	PI	TC	PI
135%	-19.8	-20.0	48.5	14.35	48.4	15.41	48.3	16.21	48.2	16.73	48.2	17.35	48.0	18.38
	-18.8	-19.0	48.9	14.59	48.8	15.61	48.6	16.29	48.6	16.89	48.5	17.40	48.4	18.48
	-16.7	-17.0	49.7	14.93	49.5	15.87	49.5	16.61	49.4	17.03	49.4	17.60	49.2	18.63
	-13.7	-15.0	50.6	15.27	50.6	16.19	50.4	16.83	50.3	17.28	50.3	17.85	50.1	18.73
	-11.8	-13.0	51.5	15.60	51.5	16.41	51.3	16.97	51.3	17.50	51.2	17.95	51.1	18.84
	-9.8	-11.0	53.5	16.17	53.3	16.94	53.1	17.45	53.1	17.88	53.1	18.33	52.9	19.16
	-9.5	-10.0	54.9	16.51	54.6	17.26	54.4	17.74	54.4	18.17	54.2	18.59	54.2	19.40
	-8.5	-9.1	56.0	16.80	55.7	17.53	55.7	18.00	55.5	18.41	55.5	18.83	55.3	19.64
	-7.0	-7.6	57.9	17.29	57.9	18.01	57.7	18.43	57.7	18.85	57.5	19.25	57.3	20.03
	-5.0	-5.6	61.0	17.94	60.8	18.25	60.6	19.01	60.6	19.41	60.3	19.78	60.3	20.52
	-3.0	-3.7	63.8	18.53	63.7	19.20	63.6	19.52	63.4	19.92	63.4	20.29	63.2	20.98
	0.0	-0.7	68.9	19.43	68.9	20.03	68.7	20.32	68.7	20.67	68.4	21.04	68.4	21.68
	3.0	2.2	75.1	20.43	74.8	20.97	74.1	21.10	74.0	21.40	73.9	21.72	73.7	22.32
	5.0	4.1	78.8	20.93	78.5	21.44	78.2	21.59	77.8	21.86	77.7	22.16	77.4	22.71
	7.0	6.0	82.7	21.40	82.3	21.84	81.9	21.96	81.7	19.87	81.7	22.56	78.3	21.70
	9.0	7.9	86.7	21.79	86.0	22.15	86.0	22.33	85.9	22.66	84.0	22.22	78.3	20.40
	11.0	9.8	90.7	22.13	90.5	22.57	90.2	22.63	86.9	21.73	84.0	20.88	78.3	19.22
	13.0	11.8	95.5	22.54	95.3	22.97	90.2	21.23	86.9	20.37	84.0	19.61	78.3	18.03
15.0	13.7	100.1	22.92	95.7	21.75	90.2	20.01	86.9	19.22	84.0	18.48	78.3	17.02	
18.0	16.8	100.1	21.71	95.7	20.70	90.2	18.98	86.9	18.27	84.0	17.47	78.3	16.18	
20.0	18.5	100.1	20.66	95.7	19.78	90.2	18.12	86.9	17.45	84.0	16.60	78.3	15.45	
24.0	20.5	100.1	19.76	95.7	19.02	90.2	17.42	86.9	16.78	84.0	15.86	78.3	14.90	

GMV6 DC Inverter VRF Units Technical Sales Guide

Combination	Outdoor air temp		Indoor air temperature °C DB											
			16		18		20		21		22		24	
	°C DB	°C WB	TC	PI	TC	PI	TC	PI	TC	PI	TC	PI	TC	PI
			kW	kW	kW	kW	kW	kW	kW	kW	kW	kW	kW	kW
120%	-19.8	-20.0	48.3	15.75	48.3	16.73	48.1	17.41	48.1	17.90	48.0	18.41	47.9	19.46
	-18.8	-19.0	48.8	15.95	48.6	16.90	48.5	17.28	48.4	18.02	48.4	18.53	48.3	19.59
	-16.7	-17.0	49.5	16.21	49.4	17.10	49.3	17.63	49.3	18.18	49.2	18.66	49.1	19.60
	-13.7	-15.0	50.5	16.47	50.4	17.32	50.2	17.85	50.2	18.31	50.1	18.76	50.0	19.65
	-11.8	-13.0	51.4	16.73	51.3	17.47	51.2	17.95	51.1	18.37	51.1	18.86	50.9	19.63
	-9.8	-11.0	53.3	17.22	53.1	17.92	53.1	18.34	52.9	18.76	52.9	19.16	52.7	19.97
	-9.5	-10.0	54.6	17.53	54.4	18.23	54.2	18.61	54.2	19.03	54.2	19.28	54.0	20.19
	-8.5	-9.1	55.7	17.80	55.5	18.47	55.5	18.85	55.3	19.24	55.3	19.67	55.1	20.41
	-7.0	-7.6	57.7	18.26	57.7	18.91	57.5	19.26	57.5	19.66	57.3	20.03	57.3	20.75
	-5.0	-5.6	60.8	18.84	60.6	19.47	60.3	19.79	60.3	20.16	60.3	20.54	60.1	21.21
	-3.0	-3.7	63.6	19.40	63.6	20.00	63.4	20.28	63.4	20.63	63.2	21.00	63.2	21.65
	0.0	-0.7	68.7	20.23	68.7	20.78	68.4	21.27	68.4	21.36	68.2	21.69	68.2	22.31
	3.0	2.2	74.7	21.14	74.5	21.65	73.9	21.69	73.7	22.02	73.7	22.32	72.2	22.27
	5.0	4.1	78.6	21.65	78.4	22.14	77.6	22.11	77.4	22.41	77.4	22.71	72.2	20.92
	7.0	6.0	82.5	22.07	81.9	22.36	81.6	22.50	80.2	22.22	77.6	21.40	72.2	19.69
	9.0	7.9	86.5	22.46	85.8	22.76	83.4	21.85	80.2	20.91	77.6	20.13	72.2	18.54
	11.0	9.8	90.5	22.74	88.2	22.32	83.4	20.56	80.2	19.69	77.6	18.95	72.2	17.47
	13.0	11.8	93.7	22.50	88.2	20.94	83.4	19.29	80.2	18.50	77.6	17.82	72.2	16.44
15.0	13.7	93.7	21.19	88.2	19.72	83.4	18.22	80.2	17.44	77.6	16.81	72.2	15.52	
18.0	16.8	93.7	20.02	88.2	18.67	83.4	17.30	80.2	16.54	77.6	15.93	72.2	14.72	
20.0	18.5	93.7	18.97	88.2	17.82	83.4	16.56	80.2	15.77	77.6	15.18	72.2	14.02	
24.0	20.5	93.7	18.05	88.2	17.09	83.4	15.96	80.2	15.12	77.6	14.58	72.2	13.44	
110%	-19.8	-20.0	48.2	17.17	48.0	18.02	48.0	18.62	47.9	19.09	47.9	19.56	47.8	20.58
	-18.8	-19.0	48.6	17.32	48.5	18.10	48.3	18.63	48.4	19.13	48.3	19.69	48.2	20.53
	-16.7	-17.0	49.4	17.50	49.2	18.32	49.2	18.75	49.1	19.27	49.1	19.72	49.0	20.64
	-13.7	-15.0	50.3	17.67	50.2	18.48	50.1	18.90	50.0	19.32	50.0	19.74	49.9	20.61
	-11.8	-13.0	51.2	17.88	51.1	18.51	51.0	18.92	51.0	19.31	50.9	19.78	50.9	20.54
	-9.8	-11.0	53.1	18.26	52.9	18.91	52.9	19.23	52.7	19.63	52.7	20.02	52.7	20.74
	-9.5	-10.0	54.4	18.55	54.2	19.18	54.0	19.50	54.0	19.88	54.0	20.26	53.8	20.96
	-8.5	-9.1	55.5	18.80	55.3	19.42	55.3	19.72	55.3	20.10	55.1	20.48	55.1	21.16
	-7.0	-7.6	57.5	19.23	57.5	19.81	57.3	20.08	57.3	20.46	57.9	20.82	57.1	21.50
	-5.0	-5.6	60.6	19.77	60.3	20.35	60.1	20.57	60.1	20.92	63.0	21.29	59.9	21.93
	-3.0	-3.7	63.4	20.28	63.4	20.81	63.2	21.03	63.2	21.36	68.2	21.71	63.0	22.32
	0.0	-0.7	68.4	21.03	68.4	21.54	68.2	21.71	68.2	22.02	71.1	22.36	66.3	21.99
	3.0	2.2	74.8	21.99	74.2	22.34	74.0	22.42	73.8	22.71	71.1	21.77	66.3	20.02
	5.0	4.1	78.5	22.39	78.2	22.77	76.4	22.15	73.5	21.26	71.1	20.47	66.3	18.84
	7.0	6.0	82.2	22.73	81.6	22.89	76.4	20.84	73.6	20.02	71.1	19.25	66.3	17.73
	9.0	7.9	86.3	23.07	81.6	21.52	76.5	19.65	73.7	18.87	71.1	18.13	66.3	16.72
	11.0	9.8	86.3	21.70	81.6	20.24	76.5	18.50	73.7	17.79	71.1	17.09	66.3	15.78
	13.0	11.8	86.3	20.36	81.6	18.99	76.5	17.40	73.7	16.74	71.1	16.09	66.3	14.86
15.0	13.7	86.3	19.18	81.6	17.91	76.5	16.44	73.7	15.80	71.1	15.22	66.3	14.07	
18.0	16.8	86.3	18.15	81.6	16.98	76.5	15.00	73.7	14.99	71.1	14.50	66.3	13.39	
20.0	18.5	86.3	17.22	81.6	16.15	76.5	14.24	73.7	14.27	71.1	13.90	66.3	12.81	
24.0	20.5	86.3	16.44	81.6	15.41	76.5	13.56	73.7	13.67	71.1	13.39	66.3	12.33	

Combination	Outdoor air temp		Indoor air temperature °C DB											
			16		18		20		21		22		24	
	°C DB	°C WB	TC	PI	TC	PI	TC	PI	TC	PI	TC	PI	TC	PI
100%	-19.8	-20.0	47.9	18.51	47.7	19.28	47.6	19.64	47.5	20.18	47.5	20.61	47.3	21.52
	-18.8	-19.0	48.2	18.60	48.1	19.31	47.9	19.70	48.0	20.18	47.8	20.67	47.7	21.48
	-16.7	-17.0	49.1	18.73	48.9	19.45	48.8	19.75	48.7	20.15	48.5	20.58	48.4	21.35
	-13.7	-15.0	50.0	18.83	49.8	19.50	49.7	19.76	49.6	20.25	49.4	20.55	49.2	21.33
	-11.8	-13.0	50.9	18.96	50.7	19.49	50.6	19.79	50.6	20.16	50.3	19.74	50.2	21.19
	-9.8	-11.0	52.9	19.31	52.7	19.91	52.7	20.12	52.7	20.51	52.5	20.87	52.5	21.53
	-9.5	-10.0	54.2	19.58	54.0	20.15	54.0	20.37	53.8	20.73	53.8	21.09	53.5	21.75
	-8.5	-9.1	55.3	19.80	55.3	20.37	55.1	20.56	55.1	20.92	54.9	21.29	54.9	21.92
	-7.0	-7.6	57.3	20.18	57.3	20.74	57.1	20.90	57.1	21.26	57.1	21.60	56.8	22.24
	-5.0	-5.6	60.3	20.69	60.1	21.20	60.1	21.37	59.9	21.70	59.9	22.02	59.9	22.63
	-3.0	-3.7	63.2	21.15	63.2	21.63	63.0	21.78	63.0	22.09	63.0	22.41	60.3	21.55
	0.0	-0.7	68.2	21.86	68.2	22.29	68.0	22.40	66.9	22.11	64.7	21.27	60.3	19.60
	3.0	2.2	74.1	22.59	73.9	23.00	69.1	20.87	66.9	20.12	64.7	19.38	60.3	17.85
	5.0	4.1	78.2	23.11	74.3	21.73	69.0	19.61	66.9	18.95	64.7	18.26	60.3	16.84
	7.0	6.0	79.6	22.20	74.3	20.42	69.0	16.90	66.9	17.86	64.7	17.20	60.3	15.87
	9.0	7.9	79.6	20.85	74.3	19.22	69.0	17.28	66.9	16.83	64.7	16.22	60.3	14.98
	11.0	9.8	79.6	19.63	74.3	18.11	69.0	16.32	66.9	15.87	64.7	15.31	60.3	14.16
	13.0	11.8	79.6	18.44	74.3	17.03	69.0	15.38	66.9	14.97	64.7	14.44	60.3	13.36
15.0	13.7	79.6	17.39	74.3	16.07	69.0	14.54	66.9	14.15	64.7	13.65	60.3	12.66	
18.0	16.8	79.6	16.40	74.3	15.33	69.0	14.07	66.9	13.43	64.7	12.93	60.3	12.06	
20.0	18.5	79.6	15.48	74.3	14.72	69.0	13.50	66.9	12.83	64.7	12.33	60.3	11.58	
24.0	20.5	79.6	14.63	74.3	14.23	69.0	12.98	66.9	12.35	64.7	11.85	60.3	11.21	
90%	-19.8	-20.0	47.7	19.92	47.6	20.63	47.5	20.88	47.5	21.41	47.6	21.89	47.3	22.55
	-18.8	-19.0	48.1	19.97	48.0	20.65	48.0	20.97	48.0	21.39	47.9	21.80	47.8	22.61
	-16.7	-17.0	48.9	20.05	48.8	20.71	48.7	20.90	48.7	21.31	48.8	21.83	48.5	22.45
	-13.7	-15.0	49.8	20.06	49.7	20.68	49.6	20.84	49.6	21.12	49.7	21.73	49.5	22.35
	-11.8	-13.0	50.8	20.09	50.7	20.62	50.6	20.80	50.6	21.18	50.6	21.55	50.4	22.23
	-9.8	-11.0	52.7	20.36	52.7	20.88	52.5	21.01	52.5	21.38	52.5	21.73	52.2	22.35
	-9.5	-10.0	54.0	20.60	53.8	21.13	53.8	21.23	53.5	21.57	53.5	21.92	53.5	22.52
	-8.5	-9.1	55.1	20.82	55.1	21.32	54.9	21.43	54.9	21.75	54.9	22.10	54.2	22.40
	-7.0	-7.6	57.1	21.16	57.1	21.64	56.8	21.74	56.8	22.07	56.8	22.39	54.2	21.39
	-5.0	-5.6	60.1	21.62	59.9	22.07	59.9	22.14	59.9	22.46	58.1	21.85	54.2	20.12
	-3.0	-3.7	63.0	22.03	63.0	20.03	62.3	22.18	60.1	21.37	58.1	20.58	54.2	18.97
	0.0	-0.7	68.2	22.66	66.3	19.66	62.3	20.15	60.1	19.43	58.1	18.72	54.2	17.26
	3.0	2.2	71.8	22.08	67.0	20.34	62.3	18.38	60.1	17.74	58.1	17.10	54.2	15.79
	5.0	4.1	71.8	20.76	67.0	19.13	62.3	17.34	60.1	16.72	58.1	16.14	54.2	14.90
	7.0	6.0	71.8	19.51	67.0	18.03	62.3	16.34	60.1	15.79	58.1	15.23	54.2	14.08
	9.0	7.9	71.8	18.39	67.0	16.97	62.3	15.41	60.1	14.91	58.1	14.39	54.2	13.31
	11.0	9.8	71.8	17.32	67.0	16.01	62.3	14.58	60.1	14.09	58.1	13.60	54.2	12.61
	13.0	11.8	71.8	16.30	67.0	15.10	62.3	13.75	60.1	13.30	58.1	12.85	54.2	11.91
15.0	13.7	71.8	15.41	67.0	14.26	62.3	13.04	60.1	12.56	58.1	12.18	54.2	11.31	
18.0	16.8	71.8	14.56	67.0	13.47	62.3	12.37	60.1	11.87	58.1	11.55	54.2	10.75	
20.0	18.5	71.8	13.77	67.0	12.73	62.3	11.75	60.1	11.20	58.1	10.97	54.2	10.27	
24.0	20.5	71.8	12.99	67.0	12.02	62.3	11.15	60.1	10.57	58.1	10.42	54.2	9.81	

GMV6 DC Inverter VRF Units Technical Sales Guide

Combination	Outdoor air temp		Indoor air temperature °C DB											
			16		18		20		21		22		24	
	°C DB	°C WB	TC	PI	TC	PI	TC	PI	TC	PI	TC	PI	TC	PI
			kW	kW	kW	kW	kW	kW	kW	kW	kW	kW	kW	kW
80%	-19.8	-20.0	47.6	21.33	47.4	21.97	47.4	22.08	47.5	22.54	47.4	23.04	47.1	23.61
	-18.8	-19.0	47.9	21.35	47.9	21.95	47.8	22.14	47.8	22.55	47.8	22.91	47.2	23.46
	-16.7	-17.0	48.7	21.30	48.6	21.93	48.6	22.02	48.6	22.39	48.6	22.79	47.2	22.89
	-13.7	-15.0	49.7	21.27	49.5	21.82	49.5	21.89	49.6	22.27	49.5	22.72	47.6	22.48
	-11.8	-13.0	50.6	21.22	50.5	21.67	50.4	21.78	50.5	22.15	50.4	22.49	48.3	21.71
	-9.8	-11.0	52.5	21.40	52.5	21.88	52.2	21.92	52.2	22.23	51.8	22.27	48.3	20.52
	-9.5	-10.0	53.8	21.62	53.5	22.07	53.5	22.10	53.5	22.42	51.8	21.63	48.3	19.92
	-8.5	-9.1	54.9	21.81	54.9	22.27	54.6	22.27	53.5	21.88	51.8	21.06	48.3	19.39
	-7.0	-7.6	56.8	22.13	56.8	22.56	55.3	21.66	53.5	20.89	51.8	20.13	48.3	18.62
	-5.0	-5.6	59.9	20.09	58.8	22.39	55.4	20.42	53.5	19.66	51.8	18.94	48.3	17.47
	-3.0	-3.7	62.3	20.21	58.8	21.08	55.4	19.24	53.5	18.62	51.8	17.87	48.3	16.51
	0.0	-0.7	62.3	20.55	58.8	19.13	55.4	17.54	53.5	16.91	51.8	16.29	48.3	15.06
	3.0	2.2	63.8	19.18	59.6	17.68	55.4	16.05	53.5	15.46	51.8	14.93	48.3	13.81
	5.0	4.1	63.8	18.06	59.6	16.67	55.4	15.15	53.5	14.60	51.8	14.11	48.3	13.07
	7.0	6.0	63.8	17.01	59.6	15.76	55.4	14.32	53.5	13.82	51.8	13.35	48.3	12.37
	9.0	7.9	63.8	16.06	59.6	14.85	55.4	13.60	53.5	13.05	51.8	12.63	48.3	11.71
	11.0	9.8	63.8	15.16	59.6	14.03	55.4	12.82	53.5	12.36	51.8	11.95	48.3	11.11
	13.0	11.8	63.8	14.29	59.6	13.25	55.4	12.12	53.5	11.69	51.8	11.31	48.3	10.51
15.0	13.7	63.8	13.52	59.6	12.56	55.4	11.50	53.5	11.09	51.8	10.73	48.3	10.00	
18.0	16.8	63.8	12.90	59.6	11.94	55.4	10.95	53.5	10.54	51.8	10.17	48.3	9.54	
20.0	18.5	63.8	12.40	59.6	11.45	55.4	10.47	53.5	10.06	51.8	9.69	48.3	9.10	
24.0	20.5	63.8	12.02	59.6	11.08	55.4	10.04	53.5	9.63	51.8	9.26	48.3	8.72	
70%	-19.8	-20.0	47.3	22.70	47.3	23.31	47.2	23.28	46.8	23.45	45.0	22.95	42.2	21.91
	-18.8	-19.0	47.8	22.76	47.7	23.25	47.7	23.31	46.9	23.28	45.1	22.78	42.2	21.45
	-16.7	-17.0	48.5	22.59	48.5	23.07	48.4	23.11	46.9	22.74	45.1	22.17	42.2	20.47
	-13.7	-15.0	49.6	22.51	49.4	22.99	48.8	22.69	47.0	184.02	45.2	21.12	42.2	19.47
	-11.8	-13.0	50.3	22.32	50.3	22.73	48.8	21.66	47.0	20.89	45.2	20.03	42.2	18.46
	-9.8	-11.0	52.2	22.45	51.6	22.41	48.9	20.52	47.1	19.78	45.3	18.97	42.2	17.48
	-9.5	-10.0	53.5	22.64	51.9	21.90	48.9	19.94	47.1	19.22	45.3	18.45	42.2	17.00
	-8.5	-9.1	54.6	22.76	52.4	21.52	48.9	19.42	47.1	18.72	45.3	17.98	42.2	16.57
	-7.0	-7.6	54.6	21.74	52.5	20.60	48.8	18.55	47.0	17.90	45.2	17.18	42.2	15.87
	-5.0	-5.6	55.9	20.89	52.2	19.27	48.5	17.39	46.7	16.76	45.2	16.18	42.2	14.98
	-3.0	-3.7	55.9	19.67	52.2	18.16	48.5	16.42	46.7	15.83	45.2	15.30	42.2	14.17
	0.0	-0.7	55.9	17.90	52.2	16.63	48.5	15.01	46.7	14.48	45.2	14.01	42.2	12.99
	3.0	2.2	55.9	16.36	52.2	0.37	48.5	13.77	46.7	13.29	45.2	12.86	42.2	11.93
	5.0	4.1	55.9	15.44	52.2	14.30	48.5	13.04	46.7	12.58	45.2	12.19	42.2	11.30
	7.0	6.0	55.9	14.59	52.2	13.53	48.5	12.33	46.7	11.91	45.2	11.54	42.2	10.72
	9.0	7.9	55.9	13.79	52.2	12.79	48.5	11.68	46.7	11.29	45.2	10.94	42.2	10.17
	11.0	9.8	55.9	13.05	52.2	12.10	48.5	11.09	46.7	10.71	45.2	10.38	42.2	9.66
	13.0	11.8	55.9	12.33	52.2	11.46	48.5	10.49	46.7	10.16	45.2	9.83	42.2	9.18
15.0	13.7	55.9	11.68	52.2	10.87	48.5	9.97	46.7	9.66	45.2	9.35	42.2	8.74	
18.0	16.8	55.9	11.08	52.2	10.33	48.5	9.49	46.7	9.21	45.2	8.92	42.2	8.35	
20.0	18.5	55.9	10.56	52.2	9.84	48.5	9.06	46.7	8.80	45.2	8.53	42.2	8.01	
24.0	20.5	55.9	10.09	52.2	9.39	48.5	8.70	46.7	8.44	45.2	8.22	42.2	7.72	

Combination	Outdoor air temp		Indoor air temperature °C DB											
			16		18		20		21		22		24	
	°C DB	°C WB	TC	PI	TC	PI	TC	PI	TC	PI	TC	PI	TC	PI
60%	-19.8	-20.0	47.2	24.12	44.9	23.50	41.7	21.26	40.2	20.43	38.9	19.71	36.2	18.18
	-18.8	-19.0	47.6	24.14	45.0	23.20	41.8	20.84	40.2	20.02	38.9	19.29	36.2	17.80
	-16.7	-17.0	48.2	23.79	45.0	22.27	41.8	19.92	40.3	19.15	38.9	18.44	36.2	17.03
	-13.7	-15.0	48.3	23.03	45.1	21.19	41.9	19.00	40.4	18.27	38.9	17.56	36.2	16.22
	-11.8	-13.0	48.3	21.80	45.1	20.07	41.9	18.04	40.4	17.35	38.9	16.68	36.2	15.43
	-9.8	-11.0	48.3	20.62	45.2	19.01	42.0	17.12	40.4	16.45	38.9	15.80	36.2	14.64
	-9.5	-10.0	48.4	20.06	45.2	18.50	42.0	16.65	40.4	16.03	38.9	15.37	36.2	14.23
	-8.5	-9.1	48.4	19.53	45.2	18.02	42.0	16.25	40.4	15.63	38.9	14.99	36.2	13.89
	-7.0	-7.6	48.3	18.63	45.1	17.22	41.9	15.53	40.4	14.95	38.9	14.37	36.2	13.34
	-5.0	-5.6	48.0	17.45	44.8	16.13	41.6	14.59	40.1	14.04	38.9	13.58	36.2	12.62
	-3.0	-3.7	48.0	16.47	44.8	15.24	41.6	13.86	40.1	13.31	38.9	12.87	36.2	11.94
	0.0	-0.7	48.0	15.05	44.8	13.95	41.6	12.67	40.1	12.21	38.9	11.81	36.2	10.98
	3.0	2.2	48.0	13.80	44.8	12.81	41.6	11.68	40.1	11.24	38.9	10.90	36.2	0.44
	5.0	4.1	48.0	13.05	44.8	12.12	41.6	11.06	40.1	10.67	38.9	10.33	36.2	9.63
	7.0	6.0	48.0	12.35	44.8	11.48	41.6	10.48	40.1	10.12	38.9	9.82	36.2	9.15
	9.0	7.9	48.0	11.70	44.8	10.89	41.6	9.96	40.1	9.62	38.9	9.32	36.2	8.71
	11.0	9.8	48.0	11.10	44.8	10.34	41.6	9.48	40.1	9.14	38.9	8.86	36.2	8.30
	13.0	11.8	48.0	10.50	44.8	9.80	41.6	9.00	40.1	8.69	38.9	8.43	36.2	7.89
15.0	13.7	48.0	10.00	44.8	9.30	41.6	8.57	40.1	8.28	38.9	8.05	36.2	7.53	
18.0	16.8	48.0	9.55	44.8	8.86	41.6	8.19	40.1	7.92	38.9	7.71	36.2	7.21	
20.0	18.5	48.0	9.15	44.8	8.46	41.6	7.85	40.1	7.61	38.9	7.42	36.2	6.95	
24.0	20.5	48.0	8.80	44.8	8.12	41.6	7.56	40.1	7.35	38.9	7.18	36.2	6.71	
50%	-19.8	-20.0	40.1	20.63	37.5	19.03	34.8	17.04	33.6	16.53	32.2	15.83	30.1	14.72
	-18.8	-19.0	40.1	20.20	37.5	18.65	34.8	16.73	33.6	16.20	32.2	15.51	30.1	14.43
	-16.7	-17.0	40.2	19.29	37.6	17.83	34.9	16.02	33.6	15.53	32.2	14.89	30.1	13.83
	-13.7	-15.0	40.2	18.41	37.6	17.02	34.9	15.30	33.7	14.85	32.3	14.23	30.1	13.21
	-11.8	-13.0	40.2	17.48	37.6	16.20	34.9	14.57	33.7	14.13	32.3	13.54	30.1	12.58
	-9.8	-11.0	40.3	16.58	37.7	15.36	35.0	13.86	33.7	13.44	32.4	12.89	30.1	11.96
	-9.5	-10.0	40.3	16.13	37.7	14.94	35.0	13.51	33.8	13.11	32.4	12.57	30.1	11.65
	-8.5	-9.1	40.3	15.73	37.7	14.59	35.0	13.18	33.8	12.80	32.4	12.28	30.1	11.38
	-7.0	-7.6	40.2	15.05	37.6	14.02	34.9	12.64	33.7	12.27	32.3	11.78	30.1	10.95
	-5.0	-5.6	40.0	14.11	37.4	13.12	34.7	11.90	33.5	11.56	32.3	11.15	30.1	10.37
	-3.0	-3.7	40.0	13.36	37.4	12.43	34.7	11.29	33.5	10.96	32.3	10.58	30.1	9.87
	0.0	-0.7	40.0	12.27	37.4	11.42	34.7	10.41	33.5	10.10	32.3	9.77	30.1	9.12
	3.0	2.2	40.0	11.30	37.4	10.53	34.7	9.61	33.5	9.34	32.3	9.05	30.1	8.44
	5.0	4.1	40.0	10.72	37.4	9.98	34.7	9.13	33.5	8.88	32.3	8.59	30.1	8.03
	7.0	6.0	40.0	10.17	37.4	9.49	34.7	8.70	33.5	8.45	32.3	8.18	30.1	7.67
	9.0	7.9	40.0	9.65	37.4	9.02	34.7	8.27	33.5	8.07	32.3	7.80	30.1	7.31
	11.0	9.8	40.0	9.18	37.4	8.58	34.7	7.89	33.5	7.69	32.3	7.44	30.1	6.97
	13.0	11.8	40.0	8.73	37.4	8.16	34.7	7.51	33.5	7.32	32.3	7.08	30.1	6.66
15.0	13.7	40.0	8.31	37.4	7.79	34.7	7.18	33.5	6.99	32.3	6.76	30.1	6.34	
18.0	16.8	40.0	7.91	37.4	7.44	34.7	6.89	33.5	6.70	32.3	6.47	30.1	6.05	
20.0	18.5	40.0	7.53	37.4	7.12	34.7	6.63	33.5	6.46	32.3	6.21	30.1	5.79	
24.0	20.5	40.0	7.18	37.4	6.82	34.7	6.17	33.5	6.24	32.3	5.97	30.1	5.54	

GMV-680WM/G-X

TC—Total capacity of outdoor unit; PI—Power input of outdoor unit

Combination	Outdoor air temp		Indoor air temperature °C DB											
			16		18		20		21		22		24	
	°C DB	°C WB	TC	PI	TC	PI	TC	PI	TC	PI	TC	PI	TC	PI
135%	-19.8	-20.0	48.7	15.98	48.6	17.13	48.5	18.00	48.4	18.59	48.3	19.26	48.2	20.41
	-18.8	-19.0	49.2	16.24	49.1	17.39	48.9	18.13	48.7	18.74	48.6	19.29	48.6	20.54
	-16.7	-17.0	50.1	16.66	49.9	17.71	49.7	18.48	49.5	18.88	49.5	19.53	49.3	20.67
	-13.7	-15.0	51.0	17.03	50.9	18.04	50.7	18.73	50.5	19.19	50.4	19.80	50.3	20.80
	-11.8	-13.0	51.7	17.35	51.6	18.24	51.5	18.84	51.4	19.42	51.3	19.92	51.1	20.90
	-9.8	-11.0	54.6	18.26	54.4	19.16	54.1	19.67	53.8	20.06	53.5	20.44	53.1	21.30
	-9.5	-10.0	55.9	18.63	55.5	19.42	55.1	19.88	54.8	20.26	54.6	20.74	54.4	21.56
	-8.5	-9.1	57.3	19.06	56.6	19.71	56.2	20.09	55.8	20.49	55.6	20.89	55.4	21.79
	-7.0	-7.6	58.2	19.23	58.0	19.98	57.8	20.45	57.8	20.90	57.6	21.35	57.4	22.23
	-5.0	-5.6	62.2	20.28	61.8	20.56	61.2	21.27	61.0	21.64	60.7	22.03	60.5	22.78
	-3.0	-3.7	64.9	20.86	64.2	21.44	64.0	21.74	63.8	22.19	63.6	22.53	63.4	23.31
	0.0	-0.7	69.9	21.84	68.9	22.21	68.8	22.54	68.8	22.93	68.5	23.32	68.5	24.03
	3.0	2.2	76.2	22.96	75.8	23.53	74.4	23.47	74.1	23.72	74.1	24.11	73.9	24.78
	5.0	4.1	79.1	23.27	78.8	23.84	78.4	23.96	78.1	24.30	77.9	24.60	77.6	25.21
	7.0	6.0	83.0	23.79	82.8	24.33	82.3	24.43	81.9	22.06	81.9	25.04	79.2	24.31
	9.0	7.9	87.0	24.22	86.7	24.73	86.4	24.84	86.2	25.18	84.5	24.75	79.2	22.85
	11.0	9.8	91.0	24.59	90.8	25.08	90.5	25.13	87.5	24.23	84.6	23.29	79.2	21.53
	13.0	11.8	95.8	25.04	95.6	25.53	90.8	23.65	87.5	22.71	84.6	21.87	79.2	20.20
15.0	13.7	100.4	25.47	96.5	24.29	90.8	22.29	87.5	21.43	84.6	20.61	79.2	19.07	
18.0	16.8	100.4	25.40	96.5	24.22	90.8	22.23	87.5	21.37	84.6	20.56	79.2	19.02	
20.0	18.5	100.4	25.30	96.5	24.13	90.8	22.15	87.5	21.30	84.6	20.48	79.2	18.95	
24.0	20.5	100.4	25.18	96.5	24.02	90.8	22.05	87.5	21.20	84.6	20.39	79.2	18.86	
120%	-19.8	-20.0	48.6	17.55	48.5	18.63	48.4	19.36	48.2	19.84	48.1	20.41	48.0	21.61
	-18.8	-19.0	49.1	17.77	49.0	18.84	48.8	19.25	48.6	20.01	48.5	20.55	48.4	21.72
	-16.7	-17.0	49.9	18.08	49.8	19.10	49.6	19.62	49.4	20.18	49.4	20.74	49.2	21.75
	-13.7	-15.0	50.8	18.36	50.7	19.29	50.5	19.86	50.3	20.31	50.3	20.84	50.2	21.86
	-11.8	-13.0	51.5	18.60	51.5	19.43	51.3	19.94	51.2	20.38	51.2	20.94	51.1	21.81
	-9.8	-11.0	54.5	19.48	54.3	20.30	53.9	20.60	53.8	21.13	53.5	21.46	53.0	22.26
	-9.5	-10.0	55.7	19.80	55.3	20.52	54.9	20.86	54.6	21.22	54.3	21.39	54.3	22.49
	-8.5	-9.1	56.9	20.13	56.4	20.79	56.1	21.08	55.7	21.46	55.5	21.86	55.3	22.69
	-7.0	-7.6	58.1	20.35	57.9	21.02	57.6	21.36	57.6	21.79	57.5	22.27	57.3	22.99
	-5.0	-5.6	62.1	21.34	61.7	21.97	61.2	22.22	61.0	22.57	60.7	22.88	60.4	23.60
	-3.0	-3.7	64.2	21.69	63.9	22.25	63.5	22.48	63.4	22.84	63.3	23.30	63.2	23.98
	0.0	-0.7	69.8	22.78	68.8	23.08	68.5	23.56	68.5	23.67	68.4	24.08	68.3	24.73
	3.0	2.2	75.9	23.79	75.5	24.31	74.3	24.14	74.1	24.51	73.9	24.78	73.2	25.01
	5.0	4.1	78.9	24.07	78.6	24.58	78.3	24.68	78.1	25.03	77.9	25.31	73.0	23.44
	7.0	6.0	82.8	24.53	82.2	24.86	82.1	25.07	81.5	25.01	77.7	23.71	72.6	21.94
	9.0	7.9	86.8	24.96	86.3	25.36	83.8	24.32	81.8	23.60	77.7	22.30	72.6	20.65
	11.0	9.8	90.8	25.28	88.5	24.81	84.9	23.17	82.0	22.28	77.7	21.00	72.6	19.47
	13.0	11.8	94.0	25.01	88.5	23.27	84.9	21.74	82.0	20.93	77.7	19.75	72.6	18.31
15.0	13.7	94.0	23.54	88.5	21.92	84.9	20.53	82.0	19.74	77.7	18.63	72.6	17.29	
18.0	16.8	94.0	23.48	88.5	21.86	84.9	20.48	82.0	19.69	77.7	18.59	72.6	17.25	
20.0	18.5	94.0	23.39	88.5	21.78	84.9	20.40	82.0	19.62	77.7	18.52	72.6	17.19	
24.0	20.5	94.0	23.28	88.5	21.67	84.9	20.31	82.0	19.53	77.7	18.44	72.6	17.11	

Combination	Outdoor air temp		Indoor air temperature °C DB											
			16		18		20		21		22		24	
	°C DB	°C WB	TC	PI	TC	PI	TC	PI	TC	PI	TC	PI	TC	PI
			kW	kW	kW	kW	kW	kW	kW	kW	kW	kW	kW	kW
110%	-19.8	-20.0	48.5	19.14	48.4	20.13	48.3	20.73	48.2	21.25	48.1	21.75	48.0	22.87
	-18.8	-19.0	49.0	19.32	48.9	20.20	48.7	20.77	48.5	21.22	48.3	21.78	48.3	22.77
	-16.7	-17.0	49.8	19.53	49.7	20.47	49.5	20.89	49.3	21.40	49.3	21.92	49.1	22.89
	-13.7	-15.0	50.7	19.72	50.6	20.60	50.4	21.04	50.2	21.45	50.2	21.94	50.1	22.92
	-11.8	-13.0	51.4	19.90	51.3	20.62	51.2	21.01	51.0	21.41	51.0	21.95	50.9	22.78
	-9.8	-11.0	54.3	20.68	54.1	21.44	54.1	21.76	54.0	22.30	53.5	22.50	53.4	23.27
	-9.5	-10.0	55.4	20.92	56.6	22.18	56.5	22.59	56.5	23.02	55.9	23.22	54.4	23.50
	-8.5	-9.1	56.8	21.30	57.1	22.22	56.9	22.48	56.9	22.90	56.2	23.14	55.5	23.61
	-7.0	-7.6	57.9	21.45	57.8	22.06	57.6	22.36	57.6	22.78	56.9	22.64	56.6	23.60
	-5.0	-5.6	62.0	22.43	61.9	23.10	61.7	23.36	61.7	23.76	60.8	22.76	60.7	24.61
	-3.0	-3.7	64.1	22.71	66.4	24.13	66.3	24.43	66.3	24.81	65.3	23.02	64.3	25.23
	0.0	-0.7	69.6	23.69	68.7	23.95	68.3	24.06	70.8	25.31	69.7	24.28	67.8	24.94
	3.0	2.2	75.8	24.69	76.8	25.62	76.6	25.70	75.8	25.83	73.3	24.86	67.8	22.71
	5.0	4.1	78.6	24.84	84.1	27.12	78.8	25.32	77.7	24.87	74.0	23.59	67.8	21.37
	7.0	6.0	82.6	25.30	84.1	26.13	81.1	24.49	78.1	23.54	74.0	22.19	67.8	20.11
	9.0	7.9	86.5	25.62	84.1	24.56	81.3	23.12	78.2	22.18	74.0	20.89	67.8	18.96
	11.0	9.8	86.5	24.09	84.1	23.10	81.3	21.77	78.2	20.92	74.0	19.70	67.8	17.90
	13.0	11.8	86.5	22.60	84.1	21.68	81.3	20.48	78.2	19.68	74.0	18.54	67.8	16.86
15.0	13.7	86.5	21.29	84.1	20.45	81.3	19.35	78.2	18.58	74.0	17.54	67.8	15.95	
18.0	16.8	86.5	21.24	84.1	20.39	81.3	19.30	78.2	18.53	74.0	17.50	67.8	15.91	
20.0	18.5	86.5	21.16	84.1	20.32	81.3	19.23	78.2	18.47	74.0	17.43	67.8	15.86	
24.0	20.5	86.5	21.06	84.1	20.22	81.3	19.15	78.2	18.38	74.0	17.36	67.8	15.79	
100%	-19.8	-20.0	48.2	20.63	48.1	21.54	48.0	21.92	47.8	22.46	47.7	22.91	47.5	23.91
	-18.8	-19.0	48.6	20.77	48.5	21.57	48.4	22.02	48.2	22.45	48.1	23.02	47.9	23.86
	-16.7	-17.0	49.5	20.90	49.4	21.79	49.3	22.06	49.1	22.45	48.9	22.95	48.7	23.74
	-13.7	-15.0	50.3	20.99	50.3	21.83	50.1	22.07	49.9	22.54	49.7	22.89	49.4	23.71
	-11.8	-13.0	51.2	21.11	51.1	21.75	50.9	22.04	50.7	22.38	50.5	21.93	50.4	23.58
	-9.8	-11.0	54.0	21.84	53.8	22.54	53.7	22.70	53.7	23.16	53.3	23.49	53.0	24.07
	-9.5	-10.0	56.5	22.59	56.3	23.28	56.2	23.48	56.2	23.98	55.7	24.20	53.9	24.23
	-8.5	-9.1	56.8	22.52	56.7	23.15	56.6	23.37	56.5	23.77	56.1	24.08	55.2	24.41
	-7.0	-7.6	57.4	22.39	57.4	23.02	57.3	23.24	57.2	23.60	57.2	23.98	57.1	24.74
	-5.0	-5.6	60.9	23.14	60.8	23.73	60.7	23.87	60.5	24.27	60.1	24.47	60.1	25.14
	-3.0	-3.7	65.5	24.28	65.3	24.76	65.1	24.94	64.8	25.19	63.7	25.09	62.3	24.64
	0.0	-0.7	68.3	24.24	68.3	24.72	68.3	24.90	67.8	24.80	65.1	23.69	62.3	22.42
	3.0	2.2	75.4	25.47	75.1	25.88	72.7	24.30	70.0	23.30	67.2	22.29	62.3	20.41
	5.0	4.1	80.3	26.27	77.9	25.22	73.4	23.11	70.7	22.18	67.2	20.99	62.3	19.25
	7.0	6.0	80.3	24.79	77.9	23.70	76.5	20.10	70.7	20.90	67.2	19.78	62.3	18.15
	9.0	7.9	80.3	23.29	77.9	22.31	76.5	21.20	70.7	19.70	67.2	18.65	62.3	17.13
	11.0	9.8	80.3	21.93	77.9	21.02	76.5	20.03	70.7	18.58	67.2	17.60	62.3	16.19
	13.0	11.8	80.3	20.59	77.9	19.77	76.5	18.88	70.7	17.52	67.2	16.61	62.3	15.28
15.0	13.7	80.3	19.43	77.9	18.65	76.5	17.84	70.7	16.57	67.2	15.70	62.3	14.48	
18.0	16.8	80.3	19.38	77.9	18.60	76.5	17.80	70.7	16.52	67.2	15.66	62.3	14.44	
20.0	18.5	80.3	19.31	77.9	18.54	76.5	17.73	70.7	16.47	67.2	15.60	62.3	14.39	
24.0	20.5	80.3	19.22	77.9	18.45	76.5	17.66	70.7	16.39	67.2	15.53	62.3	14.33	

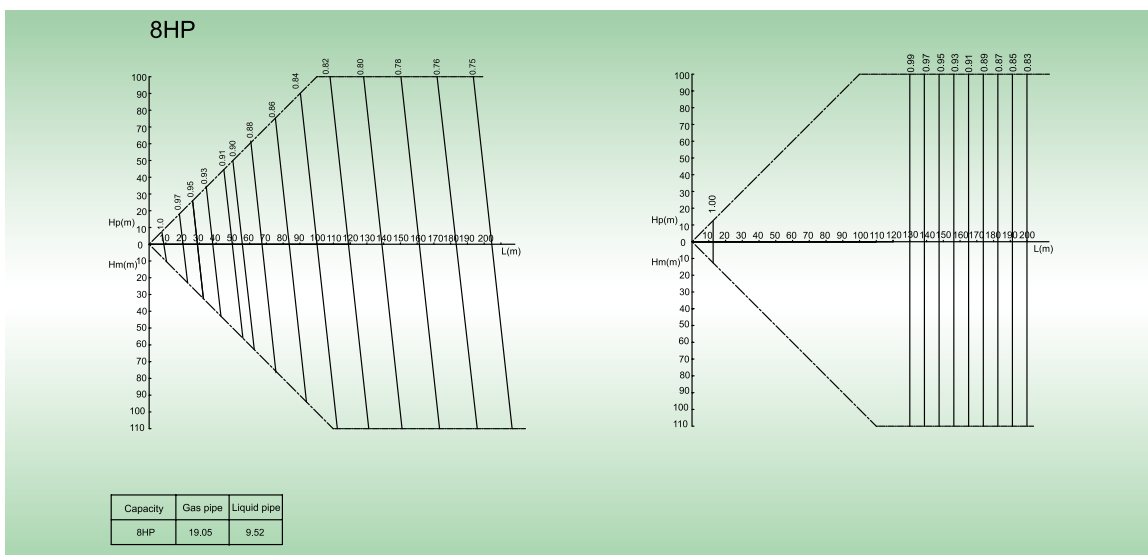
GMV6 DC Inverter VRF Units Technical Sales Guide

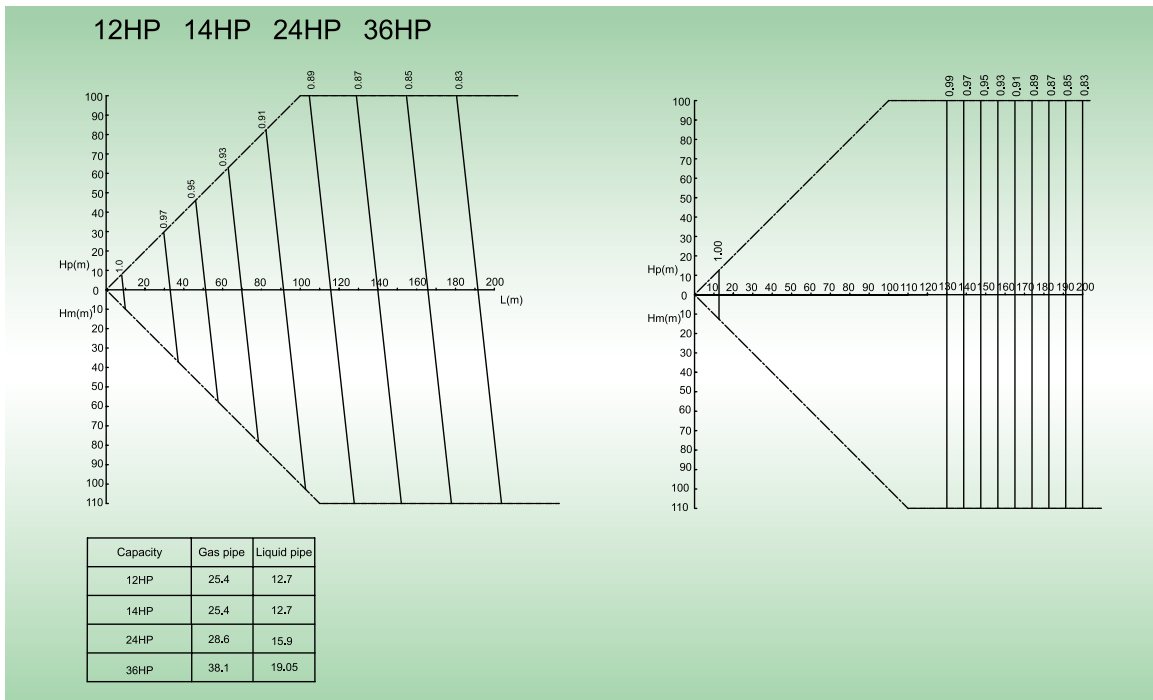
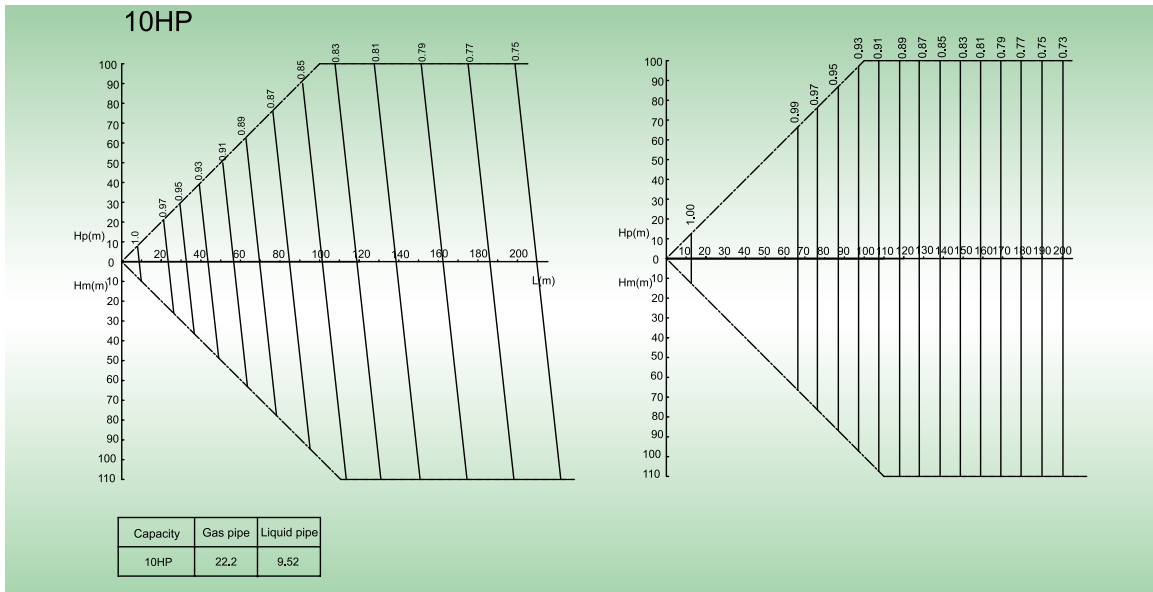
Combination	Outdoor air temp		Indoor air temperature °C DB											
			16		18		20		21		22		24	
			TC	PI	TC	PI	TC	PI	TC	PI	TC	PI	TC	PI
	°C DB	°C WB	kW	kW	kW	kW	kW	kW	kW	kW	kW	kW	kW	
90%	-19.8	-20.0	48.1	22.22	48.0	23.05	47.9	23.28	47.7	23.78	47.6	24.25	47.5	25.06
	-18.8	-19.0	63.0	28.96	62.8	29.91	62.8	30.36	62.8	30.99	62.8	31.60	58.8	30.80
	-16.7	-17.0	64.0	29.04	63.9	30.04	63.8	30.30	63.9	30.92	63.8	31.63	58.8	30.13
	-13.7	-15.0	65.2	29.04	65.1	30.02	65.0	30.20	65.0	30.62	64.4	31.16	58.9	29.45
	-11.8	-13.0	66.2	29.01	66.1	29.79	66.0	30.06	66.0	30.62	64.4	30.35	58.9	28.76
	-9.8	-11.0	67.3	28.80	67.2	29.53	67.1	29.75	66.9	30.20	64.5	29.56	59.0	27.96
	-9.5	-10.0	67.8	28.66	67.8	29.49	67.6	29.56	67.1	29.91	64.5	29.23	59.1	27.50
	-8.5	-9.1	68.3	28.60	68.2	29.23	68.1	29.46	67.1	29.43	64.5	28.76	59.1	27.03
	-7.0	-7.6	69.0	28.33	68.8	28.92	68.8	29.14	66.9	28.77	64.4	28.07	58.9	25.76
	-5.0	-5.6	73.3	29.18	73.1	29.85	69.1	28.27	66.5	27.62	64.0	26.62	58.6	24.09
	-3.0	-3.7	74.2	28.75	74.1	26.13	69.1	27.23	66.5	26.18	64.0	25.08	58.6	22.71
	0.0	-0.7	75.7	27.84	74.2	24.41	69.1	24.74	66.5	23.80	64.0	22.81	58.6	20.66
	3.0	2.2	77.9	26.53	74.2	24.95	69.1	22.57	66.5	21.74	64.0	20.83	58.6	18.91
	5.0	4.1	79.5	25.46	74.2	23.47	69.1	21.29	66.5	20.48	64.0	19.66	58.6	17.84
	7.0	6.0	79.5	23.94	74.2	22.12	69.1	20.07	66.5	19.35	64.0	18.55	58.6	16.86
	9.0	7.9	79.5	22.56	74.2	20.82	69.1	18.94	66.5	18.26	64.0	17.53	58.6	15.93
	11.0	9.8	79.5	21.25	74.2	19.64	69.1	17.91	66.5	17.27	64.0	16.57	58.6	15.10
	13.0	11.8	79.5	20.00	74.2	18.52	69.1	16.89	66.5	16.30	64.0	15.66	58.6	14.26
	15.0	13.7	79.5	18.90	74.2	17.50	69.1	16.01	66.5	15.39	64.0	14.84	58.6	13.54
	18.0	16.8	79.5	18.85	74.2	17.45	69.1	15.97	66.5	15.35	64.0	14.80	58.6	13.50
20.0	18.5	79.5	18.78	74.2	17.39	69.1	15.92	66.5	15.30	64.0	14.75	58.6	13.46	
24.0	20.5	79.5	18.70	74.2	17.31	69.1	15.85	66.5	15.24	64.0	14.69	58.6	13.40	
80%	-19.8	-20.0	47.9	23.78	47.9	24.56	47.7	24.60	47.6	25.01	47.5	25.55	47.3	26.24
	-18.8	-19.0	62.7	30.94	62.7	31.82	61.6	31.57	59.3	30.96	57.1	30.30	52.3	28.81
	-16.7	-17.0	63.8	30.90	63.7	31.84	61.7	30.94	59.4	30.30	57.1	29.64	52.4	28.11
	-13.7	-15.0	65.0	30.83	64.9	31.65	61.8	30.25	59.5	29.58	57.2	29.06	52.5	27.42
	-11.8	-13.0	66.0	30.67	65.9	31.34	61.8	29.56	59.5	28.90	57.2	28.25	52.5	26.12
	-9.8	-11.0	67.1	30.34	66.6	30.77	61.9	28.75	59.6	28.07	57.3	27.29	52.6	24.72
	-9.5	-10.0	67.7	30.14	66.6	30.42	61.9	28.29	59.6	27.64	57.3	26.52	52.6	24.01
	-8.5	-9.1	68.1	29.98	66.6	29.95	61.9	27.93	59.6	26.97	57.3	25.82	52.6	23.38
	-7.0	-7.6	68.7	29.65	66.5	29.23	61.8	26.80	59.5	25.70	57.2	24.63	52.5	22.41
	-5.0	-5.6	70.7	26.27	66.1	27.87	61.4	25.06	59.2	24.05	56.9	23.04	52.2	20.90
	-3.0	-3.7	70.7	25.41	66.1	26.24	61.4	23.61	59.2	22.77	56.9	21.73	52.2	19.75
	0.0	-0.7	70.7	25.84	66.1	23.82	61.4	21.53	59.2	20.68	56.9	19.82	52.2	18.02
	3.0	2.2	70.7	23.54	66.1	21.73	61.4	19.70	59.2	18.91	56.9	18.16	52.2	16.52
	5.0	4.1	70.7	22.17	66.1	20.49	61.4	18.59	59.2	17.86	56.9	17.17	52.2	15.63
	7.0	6.0	70.7	20.88	66.1	19.37	61.4	17.57	59.2	16.90	56.9	16.24	52.2	14.79
	9.0	7.9	70.7	19.72	66.1	18.25	61.4	16.70	59.2	15.97	56.9	15.36	52.2	14.01
	11.0	9.8	70.7	18.62	66.1	17.25	61.4	15.73	59.2	15.12	56.9	14.54	52.2	13.29
	13.0	11.8	70.7	17.55	66.1	16.28	61.4	14.88	59.2	14.30	56.9	13.75	52.2	12.57
	15.0	13.7	70.7	16.60	66.1	15.43	61.4	14.12	59.2	13.57	56.9	13.05	52.2	11.96
	18.0	16.8	70.7	16.55	66.1	15.39	61.4	14.08	59.2	13.53	56.9	13.02	52.2	11.93
20.0	18.5	70.7	16.50	66.1	15.34	61.4	14.04	59.2	13.49	56.9	12.97	52.2	11.89	
24.0	20.5	70.7	16.42	66.1	15.27	61.4	13.98	59.2	13.43	56.9	12.92	52.2	11.84	

Combination	Outdoor air temp		Indoor air temperature °C DB											
			16		18		20		21		22		24	
	°C DB	°C WB	TC	PI	TC	PI	TC	PI	TC	PI	TC	PI	TC	PI
70%	-19.8	-20.0	47.7	25.35	47.6	25.99	47.4	25.86	47.1	26.11	46.5	26.22	45.1	25.95
	-18.8	-19.0	62.2	32.80	58.1	31.35	54.0	29.24	52.0	28.60	49.9	27.93	45.8	25.80
	-16.7	-17.0	62.2	32.09	58.2	30.66	54.1	28.56	52.1	27.93	50.0	27.18	45.8	24.65
	-13.7	-15.0	62.4	31.35	58.3	30.05	54.2	27.87	52.2	224.88	50.1	25.90	45.9	23.49
	-11.8	-13.0	62.4	30.61	58.3	29.17	54.2	26.60	52.2	25.66	50.1	24.57	45.9	22.27
	-9.8	-11.0	62.4	29.73	58.4	28.09	54.3	25.20	52.2	24.30	50.2	23.26	46.0	21.12
	-9.5	-10.0	62.5	29.26	58.4	27.29	54.3	24.49	52.3	23.62	50.2	22.63	46.0	20.55
	-8.5	-9.1	62.5	28.83	58.4	26.55	54.3	23.85	52.3	23.00	50.2	22.05	46.0	20.03
	-7.0	-7.6	62.4	27.48	58.3	25.31	54.2	22.79	52.2	22.00	50.1	21.07	45.9	19.15
	-5.0	-5.6	62.0	25.67	57.9	23.68	53.9	21.36	51.9	20.59	49.8	19.73	45.7	17.97
	-3.0	-3.7	62.0	24.17	57.9	22.32	53.9	20.17	51.9	19.45	49.8	18.65	45.7	16.99
	0.0	-0.7	62.0	22.00	57.9	20.44	53.9	18.43	51.9	17.79	49.8	17.08	45.7	15.58
	3.0	2.2	62.0	20.10	57.9	0.45	53.9	16.92	51.9	16.33	49.8	15.68	45.7	14.31
	5.0	4.1	62.0	18.97	57.9	17.57	53.9	16.02	51.9	15.46	49.8	14.86	45.7	13.55
	7.0	6.0	62.0	17.93	57.9	16.63	53.9	15.15	51.9	14.64	49.8	14.07	45.7	12.86
	9.0	7.9	62.0	16.95	57.9	15.72	53.9	14.36	51.9	13.87	49.8	13.34	45.7	12.19
	11.0	9.8	62.0	16.04	57.9	14.88	53.9	13.63	51.9	13.17	49.8	12.66	45.7	11.59
	13.0	11.8	62.0	15.15	57.9	14.09	53.9	12.89	51.9	12.49	49.8	11.99	45.7	11.01
15.0	13.7	62.0	14.35	57.9	13.36	53.9	12.25	51.9	11.87	49.8	11.40	45.7	10.48	
18.0	16.8	62.0	14.32	57.9	13.33	53.9	12.22	51.9	11.84	49.8	11.37	45.7	10.46	
20.0	18.5	62.0	14.27	57.9	13.28	53.9	12.18	51.9	11.80	49.8	11.33	45.7	10.42	
24.0	20.5	62.0	14.21	57.9	13.22	53.9	12.12	51.9	11.75	49.8	11.29	45.7	10.38	
60%	-19.8	-20.0	48.2	27.29	45.9	26.60	43.1	24.30	41.8	23.51	40.1	22.51	36.8	20.44
	-18.8	-19.0	53.4	29.97	49.8	28.46	46.3	25.57	44.6	24.56	42.9	23.57	39.3	21.35
	-16.7	-17.0	53.4	29.22	49.8	27.32	46.4	24.45	44.6	23.49	43.0	22.55	39.3	20.45
	-13.7	-15.0	53.5	28.28	49.9	26.00	46.5	23.31	44.7	22.41	43.0	21.52	39.4	19.51
	-11.8	-13.0	53.5	26.77	49.9	24.63	46.5	22.13	44.7	21.28	43.0	20.44	39.4	18.56
	-9.8	-11.0	53.6	25.33	50.0	23.32	46.5	21.01	44.8	20.18	43.1	19.40	39.4	17.64
	-9.5	-10.0	53.6	24.63	50.0	22.69	46.5	20.44	44.8	19.66	43.1	18.88	39.5	17.15
	-8.5	-9.1	53.6	23.98	50.0	22.11	46.5	19.94	44.8	19.17	43.1	18.41	39.5	16.75
	-7.0	-7.6	53.5	22.89	49.9	21.12	46.5	19.06	44.7	18.34	43.0	17.62	39.4	16.05
	-5.0	-5.6	53.2	21.43	49.6	19.78	46.2	17.91	44.5	17.22	42.8	16.55	39.1	15.09
	-3.0	-3.7	53.2	20.23	49.6	18.69	46.2	17.01	44.5	16.32	42.8	15.68	39.1	14.29
	0.0	-0.7	53.2	18.48	49.6	17.12	46.2	15.55	44.5	14.98	42.8	14.40	39.1	13.14
	3.0	2.2	53.2	16.95	49.6	15.72	46.2	14.33	44.5	13.79	42.8	13.29	39.1	0.53
	5.0	4.1	53.2	16.03	49.6	14.87	46.2	13.57	44.5	13.09	42.8	12.59	39.1	11.52
	7.0	6.0	53.2	15.17	49.6	14.08	46.2	12.87	44.5	12.42	42.8	11.97	39.1	10.94
	9.0	7.9	53.2	14.37	49.6	13.36	46.2	12.23	44.5	11.80	42.8	11.36	39.1	10.42
	11.0	9.8	53.2	13.64	49.6	12.69	46.2	11.64	44.5	11.22	42.8	10.80	39.1	9.93
	13.0	11.8	53.2	12.90	49.6	12.02	46.2	11.05	44.5	10.66	42.8	10.27	39.1	9.44
15.0	13.7	53.2	12.28	49.6	11.41	46.2	10.52	44.5	10.16	42.8	9.81	39.1	9.01	
18.0	16.8	53.2	12.25	49.6	11.39	46.2	10.50	44.5	10.13	42.8	9.78	39.1	8.98	
20.0	18.5	53.2	12.21	49.6	11.35	46.2	10.46	44.5	10.10	42.8	9.75	39.1	8.95	
24.0	20.5	53.2	12.16	49.6	11.30	46.2	10.42	44.5	10.06	42.8	9.71	39.1	8.91	

Combination	Outdoor air temp		Indoor air temperature °C DB											
			16		18		20		21		22		24	
	°C DB	°C WB	TC	PI	TC	PI	TC	PI	TC	PI	TC	PI	TC	PI
50%	-19.8	-20.0	41.0	23.37	38.6	21.70	35.7	19.33	34.6	18.87	33.1	18.02	31.2	16.88
	-18.8	-19.0	44.5	24.79	41.6	22.88	38.7	20.55	37.2	19.87	35.8	19.07	32.8	17.41
	-16.7	-17.0	44.5	23.68	41.6	21.87	38.7	19.68	37.3	19.05	35.8	18.30	32.9	16.71
	-13.7	-15.0	44.6	22.59	41.7	20.88	38.8	18.80	37.4	18.22	35.9	17.49	32.9	15.99
	-11.8	-13.0	44.6	21.45	41.7	19.87	38.8	17.90	37.4	17.34	35.9	16.64	32.9	15.23
	-9.8	-11.0	44.7	20.35	41.8	18.84	38.9	17.03	37.4	16.49	35.9	15.85	33.0	14.50
	-9.5	-10.0	44.7	19.80	41.8	18.33	38.9	16.60	37.4	16.09	35.9	15.44	33.0	14.13
	-8.5	-9.1	44.7	19.31	41.8	17.90	38.9	16.20	37.4	15.71	35.9	15.09	33.0	13.81
	-7.0	-7.6	44.6	18.47	41.7	17.20	38.8	15.53	37.4	15.06	35.9	14.48	32.9	13.26
	-5.0	-5.6	44.3	17.32	41.4	16.09	38.6	14.62	37.1	14.18	35.7	13.63	32.7	12.48
	-3.0	-3.7	44.3	16.40	41.4	15.25	38.6	13.87	37.1	13.45	35.7	12.93	32.7	11.87
	0.0	-0.7	44.3	15.06	41.4	14.01	38.6	12.80	37.1	12.40	35.7	11.94	32.7	10.98
	3.0	2.2	44.3	13.86	41.4	12.91	38.6	11.81	37.1	11.46	35.7	11.06	32.7	10.16
	5.0	4.1	44.3	13.16	41.4	12.25	38.6	11.22	37.1	10.90	35.7	10.50	32.7	9.67
	7.0	6.0	44.3	12.49	41.4	11.64	38.6	10.70	37.1	10.38	35.7	10.00	32.7	9.23
	9.0	7.9	44.3	11.85	41.4	11.07	38.6	10.17	37.1	9.90	35.7	9.53	32.7	8.80
	11.0	9.8	44.3	11.26	41.4	10.52	38.6	9.70	37.1	9.43	35.7	9.09	32.7	8.39
	13.0	11.8	44.3	10.71	41.4	10.01	38.6	9.23	37.1	8.99	35.7	8.65	32.7	8.01
15.0	13.7	44.3	10.19	41.4	9.55	38.6	8.82	37.1	8.58	35.7	8.27	32.7	7.63	
18.0	16.8	44.3	10.17	41.4	9.53	38.6	8.80	37.1	8.56	35.7	8.25	32.7	7.61	
20.0	18.5	44.3	10.13	41.4	9.49	38.6	8.77	37.1	8.53	35.7	8.22	32.7	7.59	
24.0	20.5	44.3	10.09	41.4	9.45	38.6	8.73	37.1	8.49	35.7	8.18	32.7	7.55	

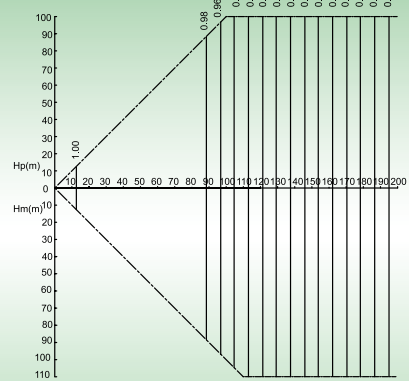
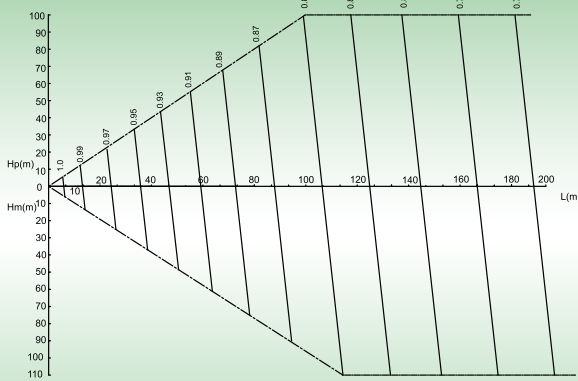
➔ 6.2 Capacity rectification for piping length and fall





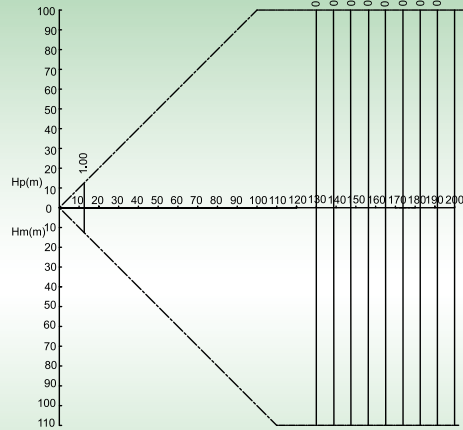
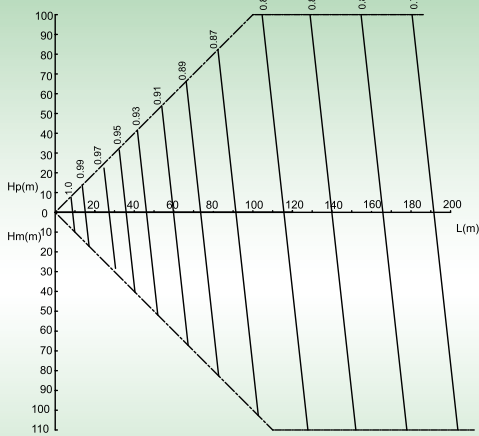
GMV6 DC Inverter VRF Units Technical Sales Guide

16HP



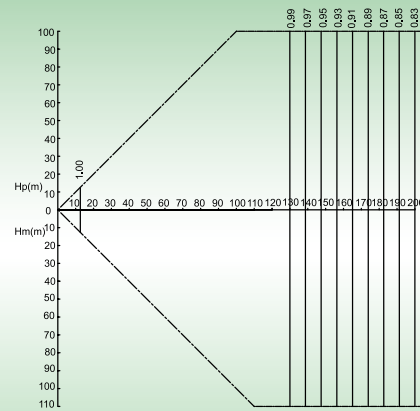
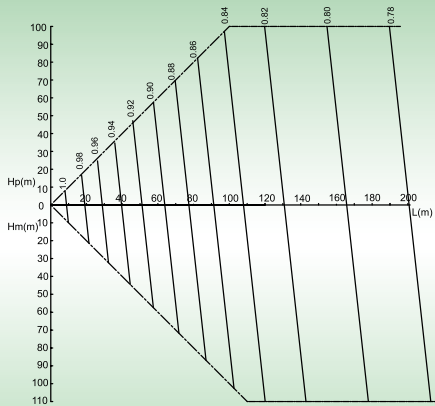
Capacity	Gas pipe	Liquid pipe
16HP	28.6	12.7

18HP 26-30HP 38-44HP



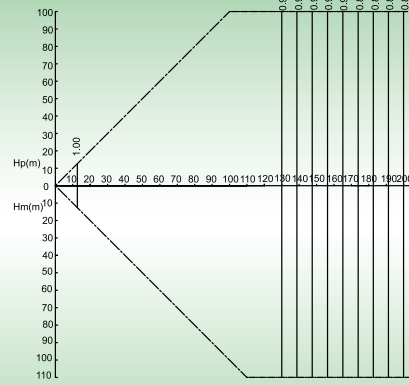
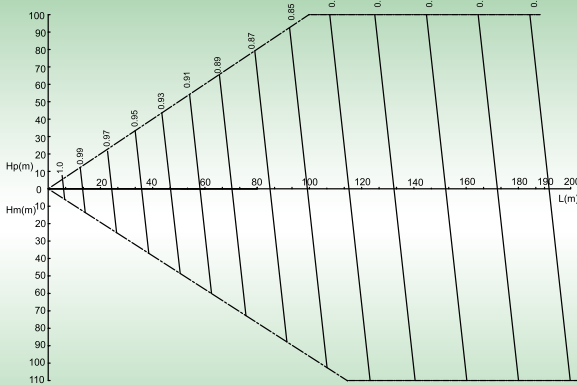
Capacity	Gas pipe	Liquid pipe
18-24HP	28.6	15.9
26-30HP	31.8	19.05
38-44HP	38.1	19.05

20HP 32-34HP



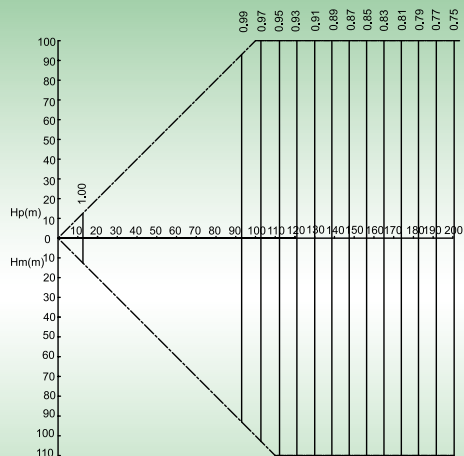
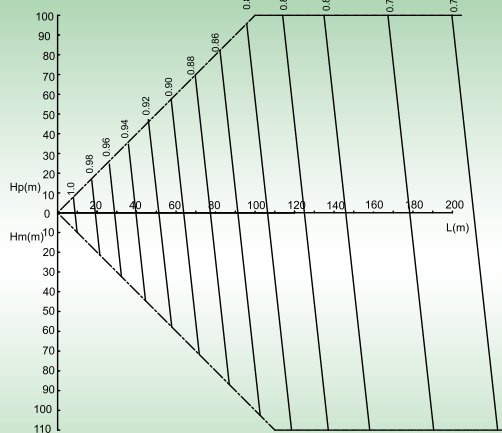
Capacity	Gas pipe	Liquid pipe
20HP	28.6	15.9
32-34HP	31.8	19.05

22HP



Capacity	Gas pipe	Liquid pipe
22HP	28.6	15.9

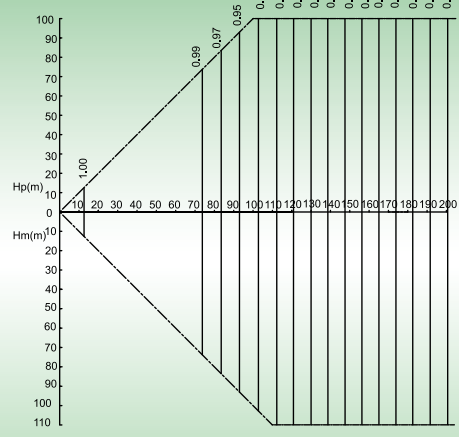
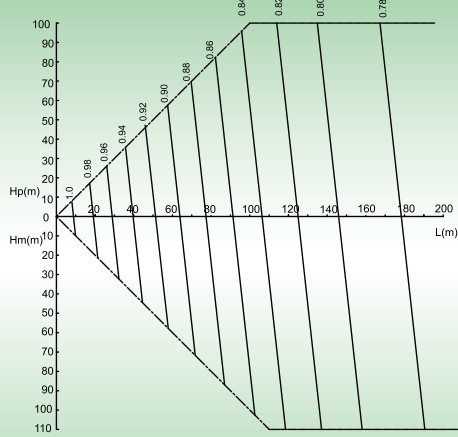
46HP



Capacity	Gas pipe	Liquid pipe
46HP	38.1	19.05

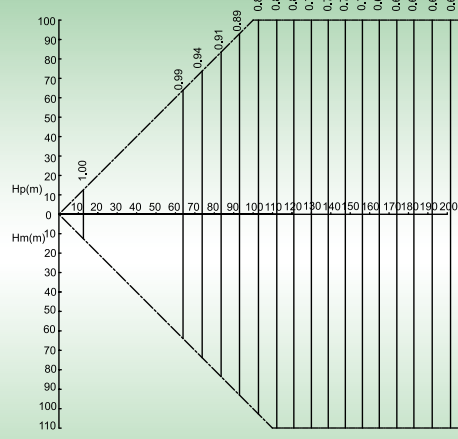
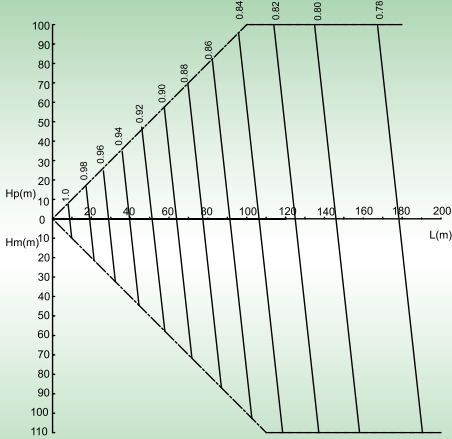
GMV6 DC Inverter VRF Units Technical Sales Guide

48HP



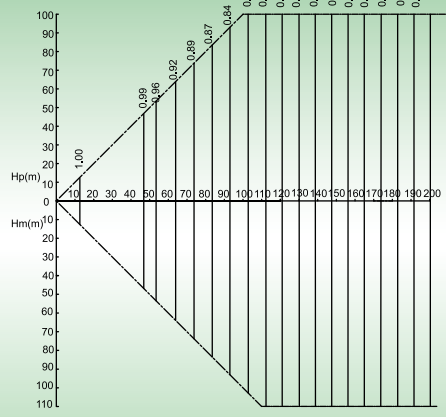
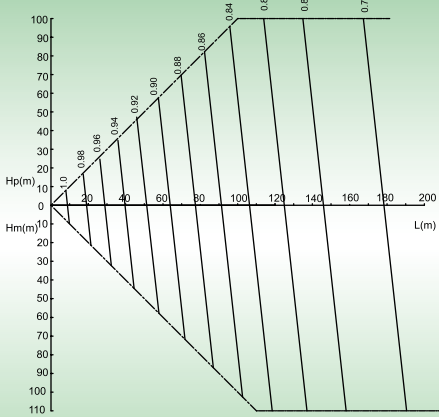
Capacity	Gas pipe	Liquid pipe
48HP	38,1	19,05

50HP

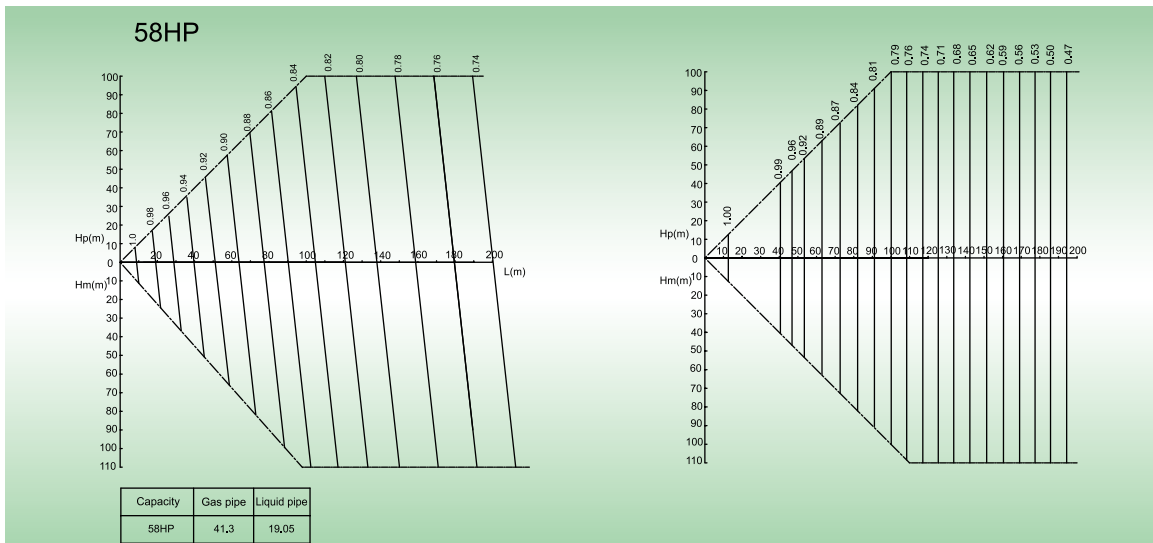
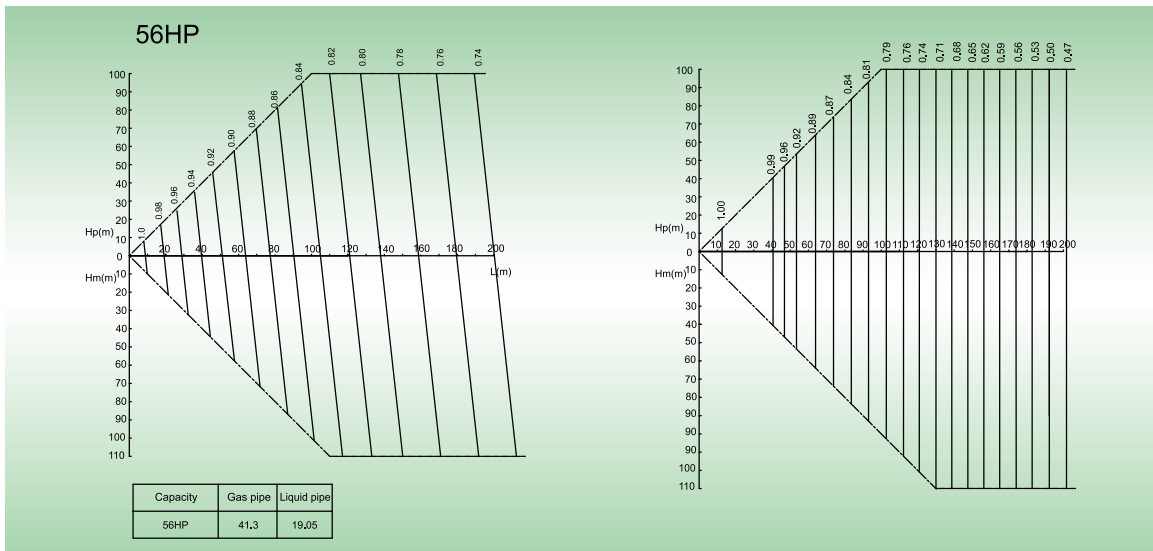
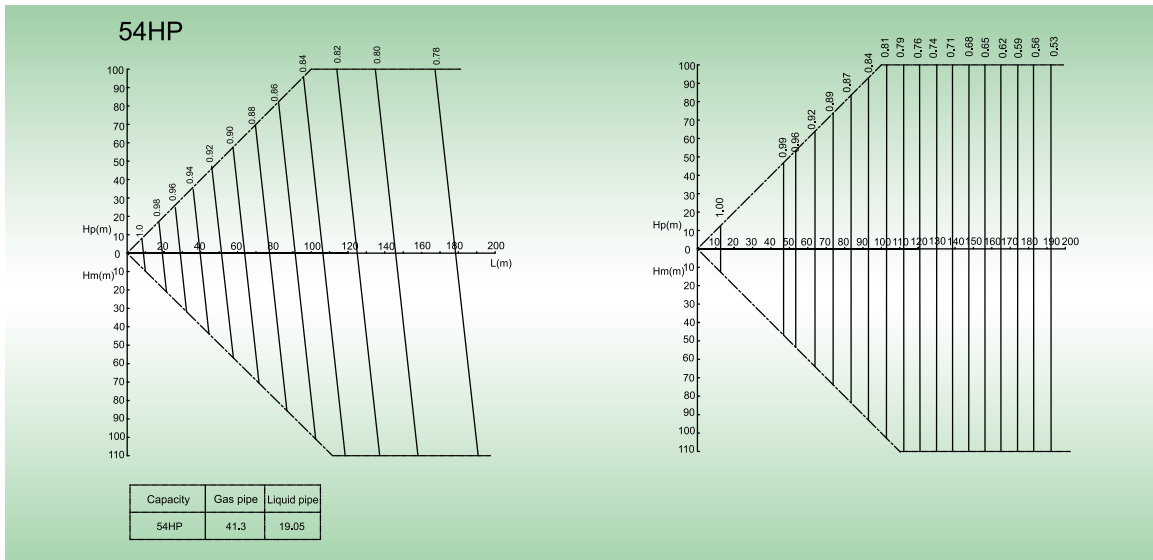


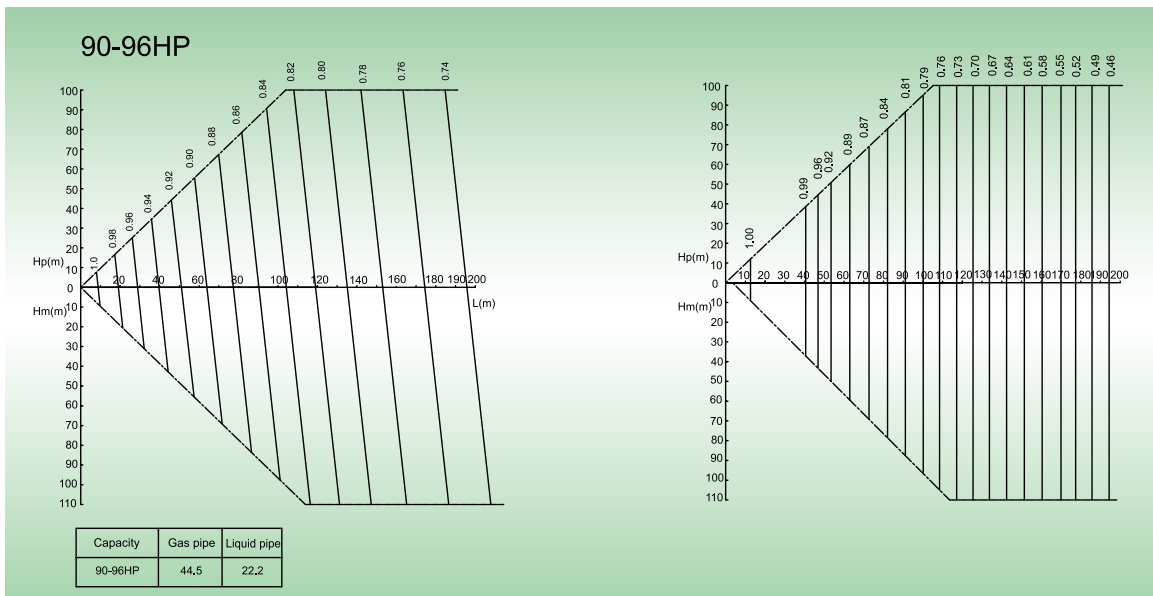
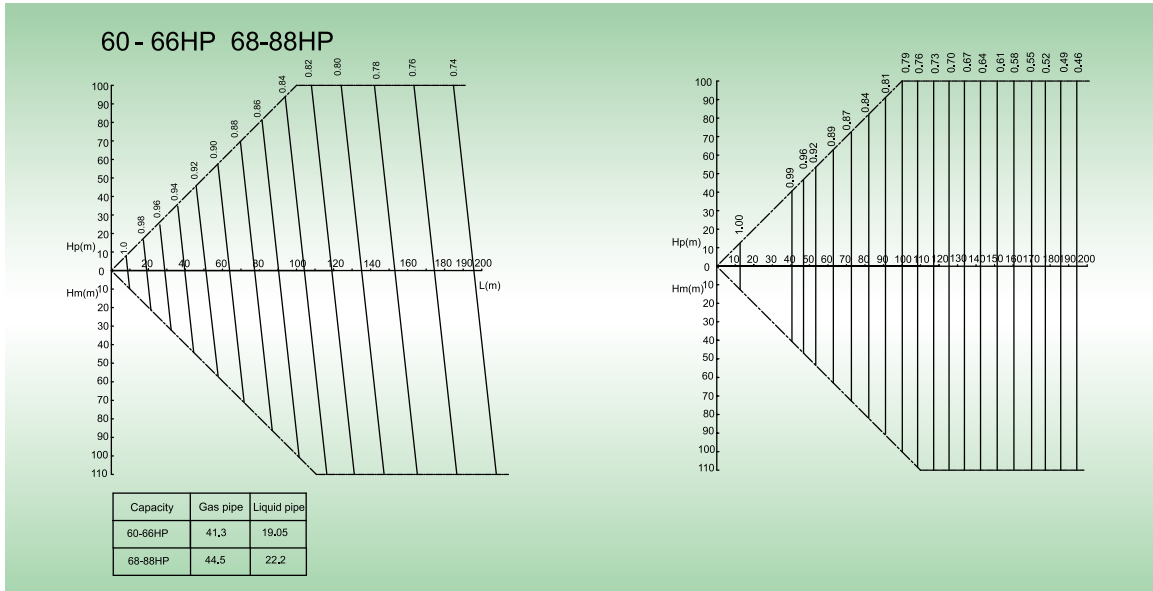
Capacity	Gas pipe	Liquid pipe
50HP	41,3	19,05

52HP



Capacity	Gas pipe	Liquid pipe
52HP	41,3	19,05





Rectification specification of long connection pipe:

The above long connection pipe rectification is the max.capacity under standard IDU capacity allocation.

Some of load configuration is as follow:

Max.system capacity: IDU capacity and the max.capacity of ODU, take the lesser one (two kinds of algorithms).

IDU allocation rate is below 100%

The max. capacity of ODU=the capacity corresponds to the allocation rate in the ODU capacity rectification table×long connection pipe rectification coefficient of the furthest IDU.

IDU allocation rate is 100%

The max. capacity of ODU=the capacity in the ODU capacity rectification table when the allocation rate is 100%×long connection pipe rectification coefficient of the furthest IDU.

4.3 Rectification factor for heating defrosting

When outdoor environment has satisfied certain condition (temperature and humidity), frosting and defrosting might occur, at this time, heating capacity of the unit will be attenuated, therefore, when calculating heating load model selection, please add defrosting rectification factor.

Defrosting rectification factor is as follow:

Outdoor heat exchanger air inlet dry bulb temperature (°C /RH85%)	-11	-9	-7	-5	-3	0	3	5	7
Defrosting capacity rectification factor	1	0.98	0.96	0.94	0.88	0.8	0.84	0.9	1

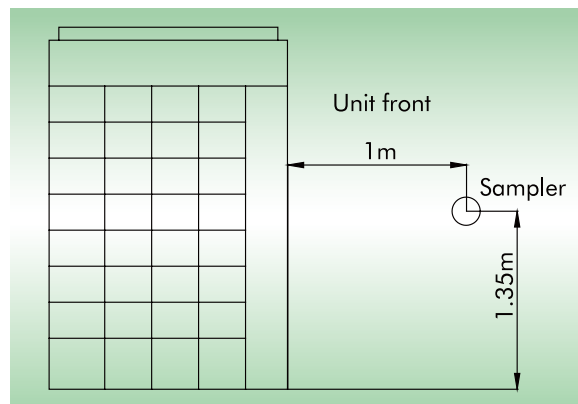
5 UNIT NOISE CURVES

5.1 Outdoor Unit Noise Curve

Test method for noise :

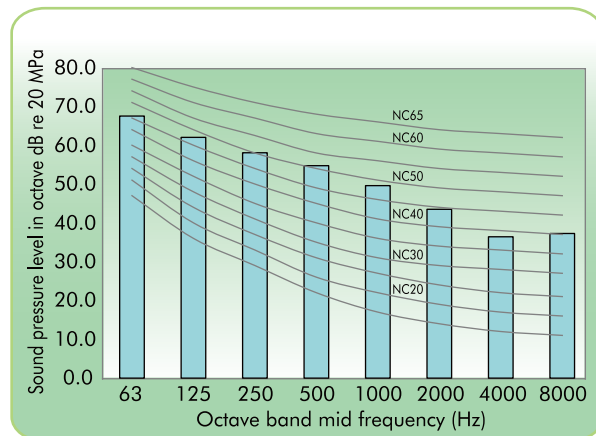
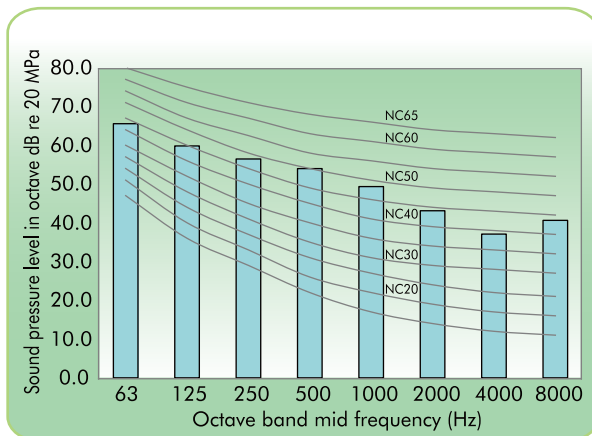
Test environment: Semi-anechoic room, the noise will be a little bit higher in actual operation due to environmental change.

Noise curve test point is as follow:

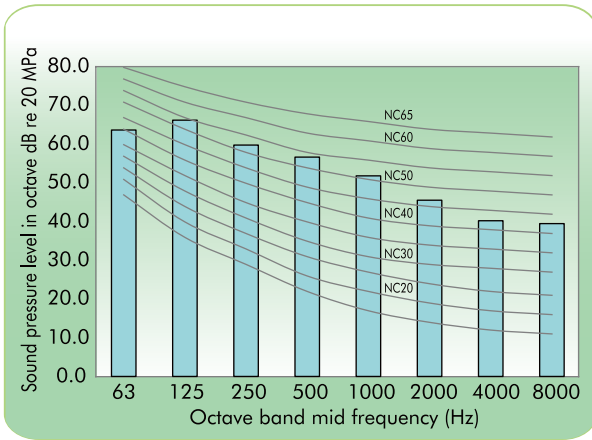


GMV-224WM/G-X

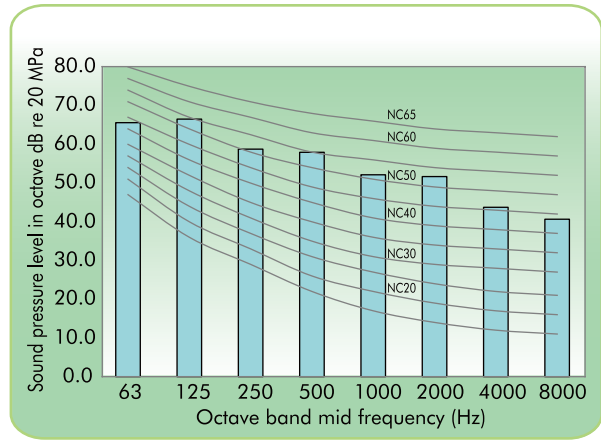
GMV-280WM/G-X



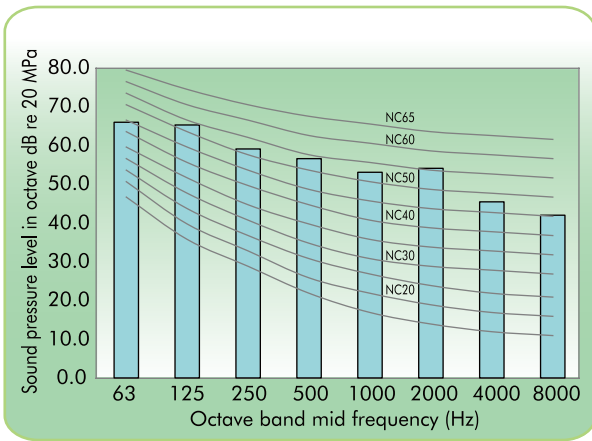
GMV-335WM/G-X



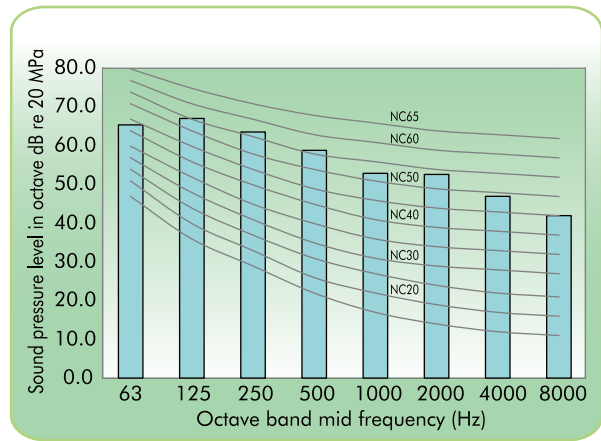
GMV-400WM/G-X



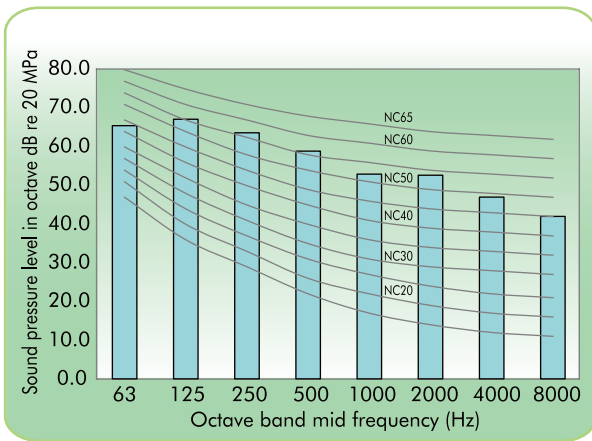
GMV-450WM/G-X



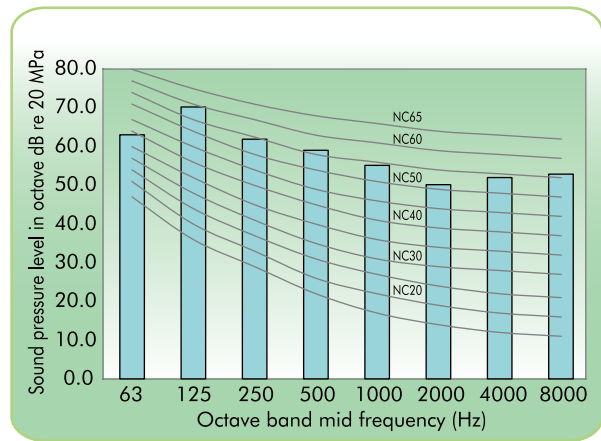
GMV-504WM/G-X



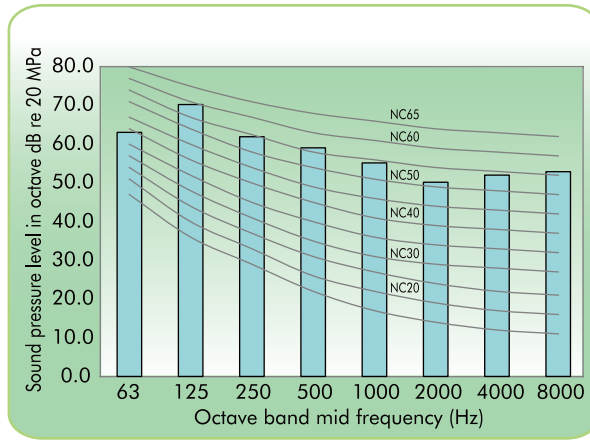
GMV-560WM/G-X



GMV-615WM/G-X



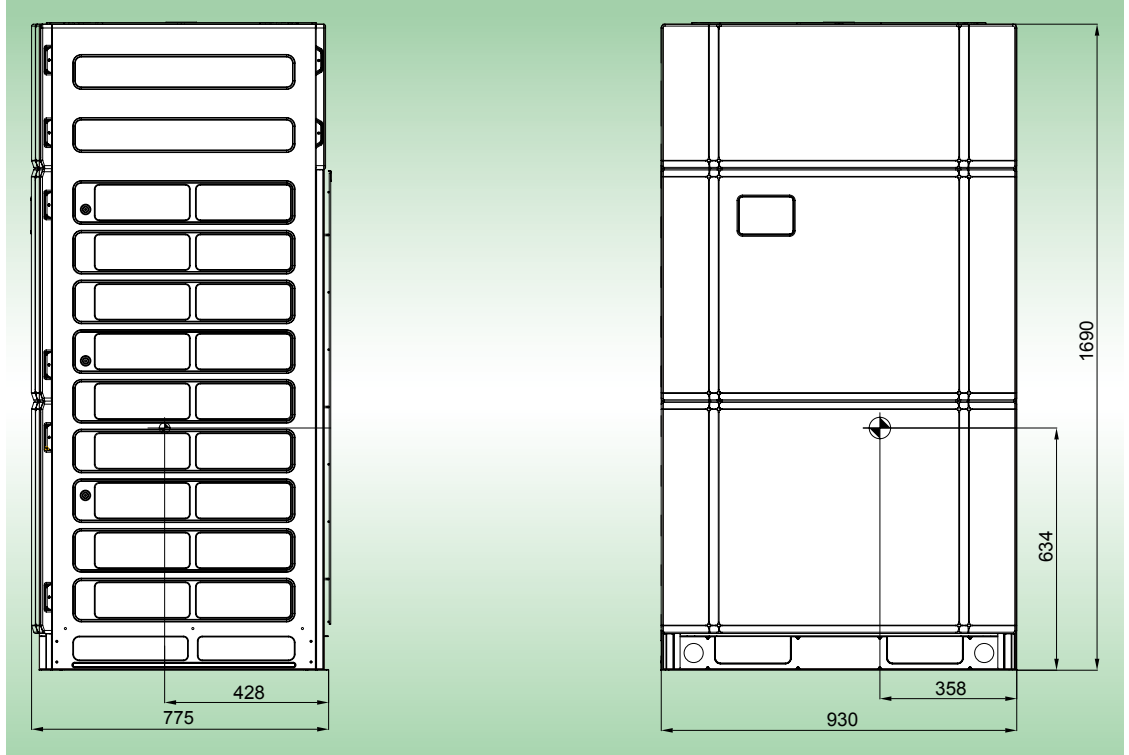
GMV-680WM/G-X



6 UNIT GRAVITY CENTER DIAGRAMS

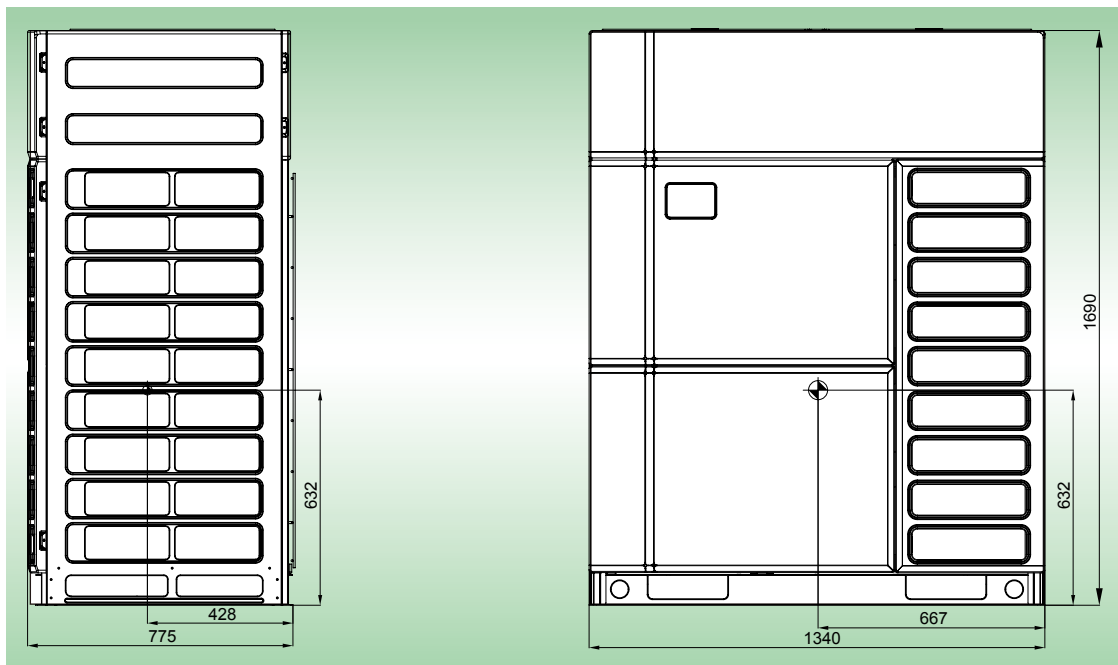
Unit : mm

GMV-224WM/G-X, GMV-280WM/G-X, GMV-335WM/G-X

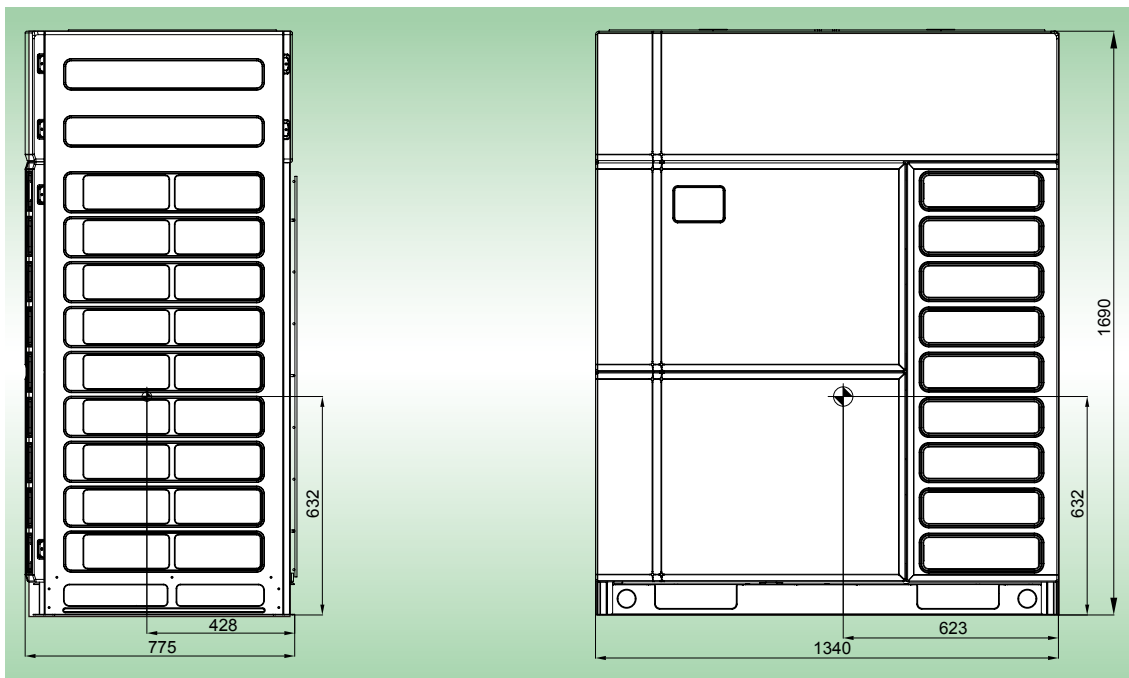


GMV6 DC Inverter VRF Units Technical Sales Guide

GMV-400WM/G-X, GMV-450WM/G-X, GMV-504WM/G-X



GMV-560WM/G-X, GMV-615WM/G-X, GMV-680WM/G-X

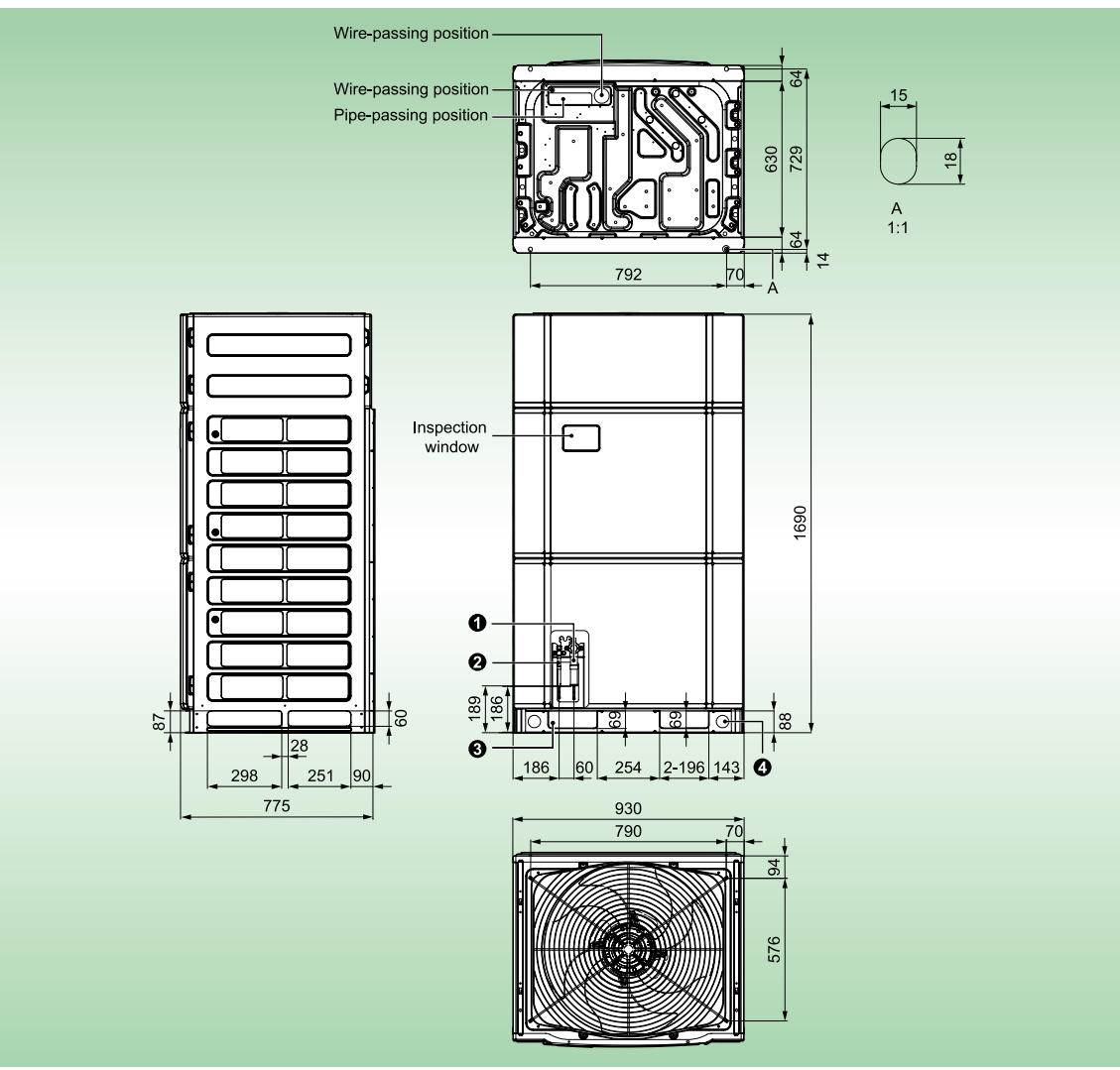


7 UNIT INSTALLATION SPACE REQUIREMENTS

7.1 Outline size and installation hole size

Unit : mm

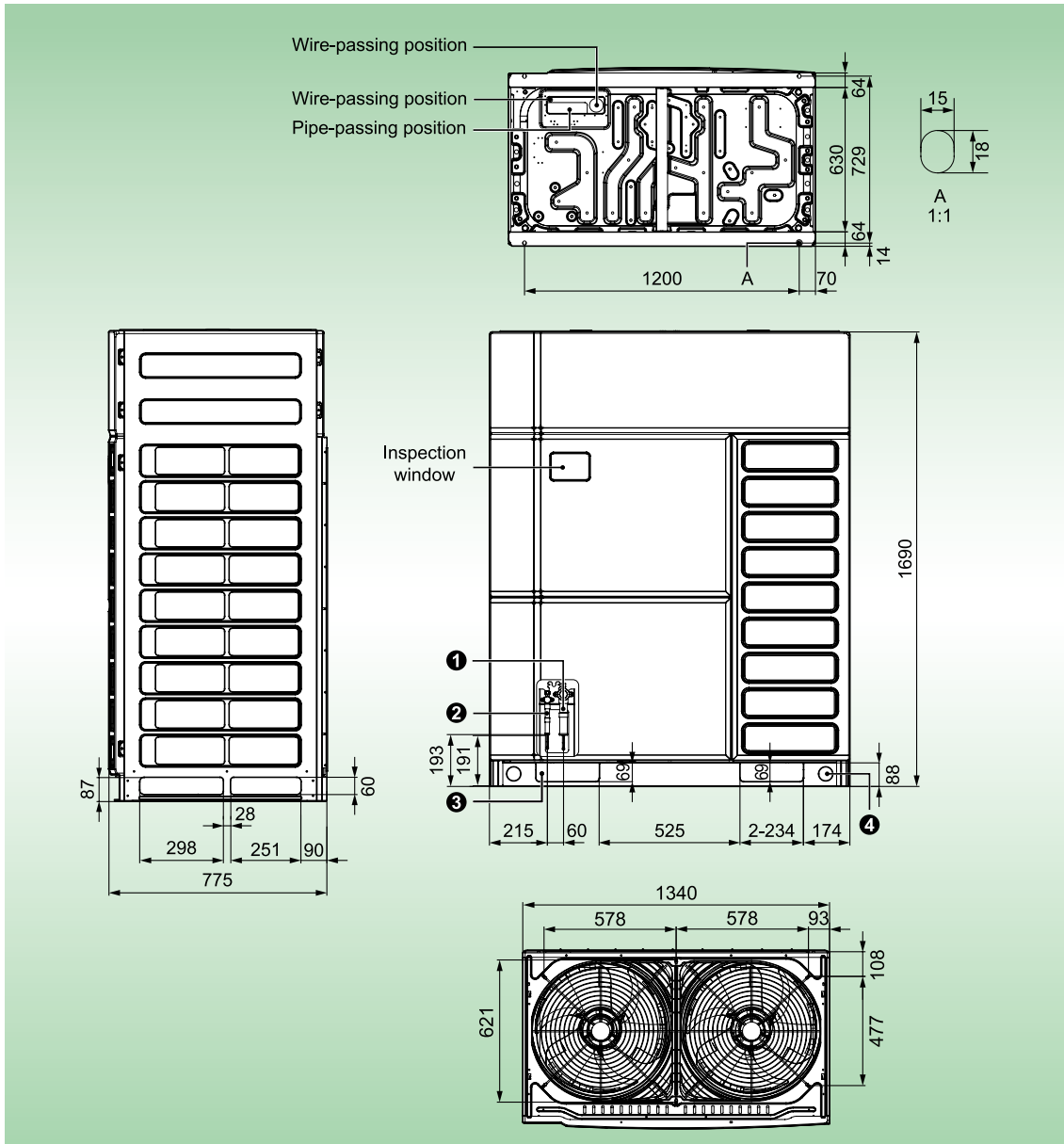
Outline size and installation hole size of GMV-224WM/G-X, GMV-280WM/G-X and GMV-335WM/G-X



No.	Name	Pipe diameter		
		GMV-224WM/G-X	GMV-280WM/G-X	GMV-335WM/G-X
①	Gas pipe	Φ19.05	Φ22.2	Φ25.4
②	Liquid pipe	Φ9.52	Φ9.52	Φ12.7
③	Pipe and wiring passing hole (L×W)	196×69	196×69	196×69
④	Hoist hole	Φ50	Φ50	Φ50

GMV6 DC Inverter VRF Units Technical Sales Guide

Outline size and installation hole size of GMV-400WM/G-X, GMV-450WM/G-X, GMV-504WM/G-X, GMV-560WM/G-X, GMV-615WM/G-X and GMV-680WM/G-X



No.	Name	Pipe diameter		
		GMV-400WM/G-X	GMV-450WM/G-X	GMV-504WM/G-X
①	Gas pipe	Φ25.4	Φ28.6	Φ28.6
②	Liquid pipe	Φ12.7	Φ12.7	Φ15.9
③	Pipe and wiring passing hole (L×W)	234×69	234×69	234×69
④	Hoist hole	Φ50	Φ50	Φ50

No.	Name	Pipe diameter		
		GMV-560WM/G-X	GMV-615WM/G-X	GMV-680WM/G-X
①	Gas pipe	Φ28.6	Φ28.6	Φ28.6
②	Liquid pipe	Φ15.9	Φ15.9	Φ15.9
③	Pipe and wiring passing hole (L×W)	234×69	234×69	234×69
④	Hoist hole	Φ50	Φ50	Φ50

7.2 Select installation position of ODU

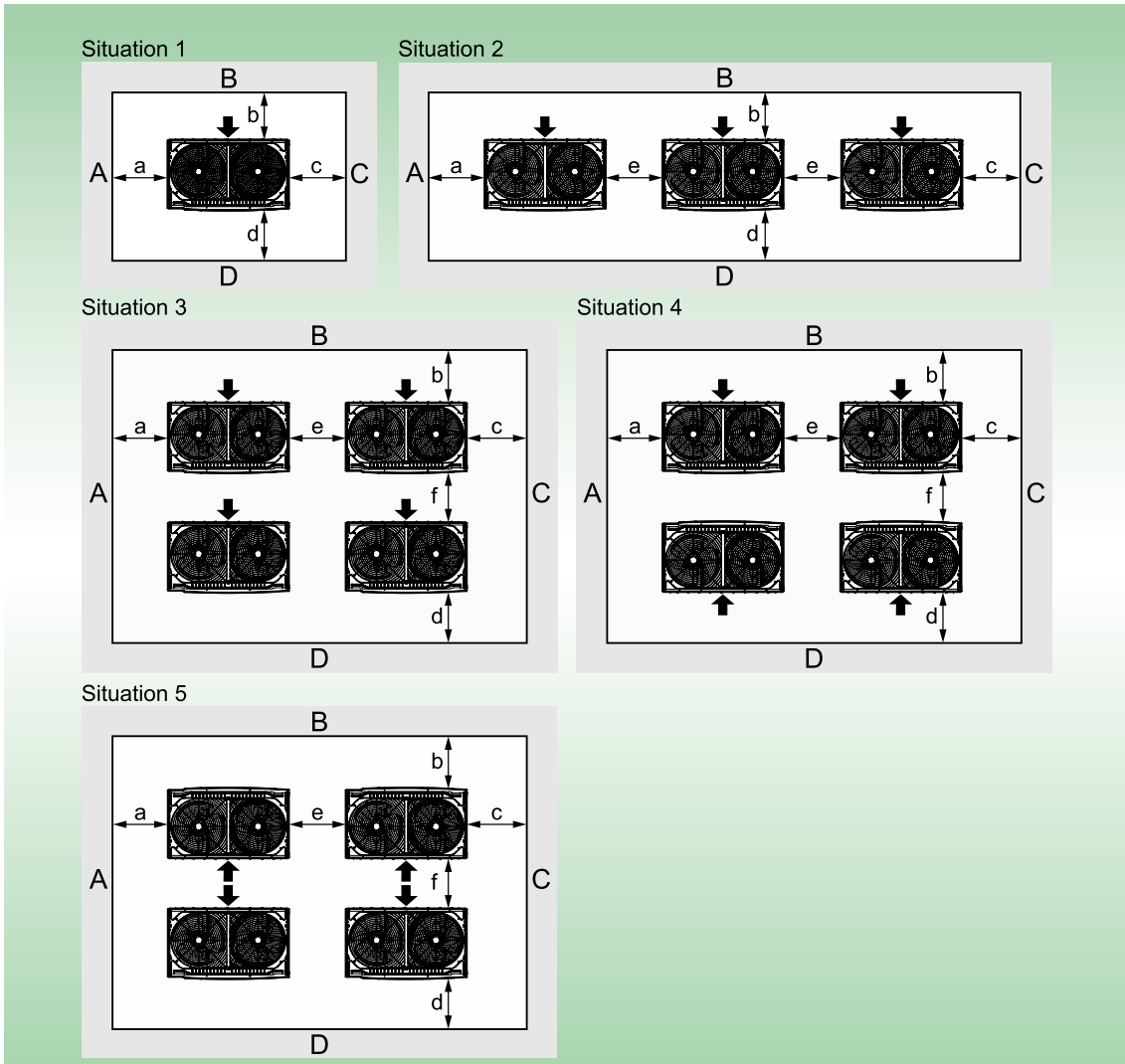
Conditions for selecting the installation position

- (1) Install the unit at a place where is adequate to withstand the weight of the unit and make sure the unit would not shake or fall off.
- (2) Fully consider the influence of strong winds, typhoons and earthquakes when selecting the installation site, and strengthen the installation.
- (3) The influence of flammable, explosive, corrosive gases or exhaust gases should be avoided.
- (4) Ensure that there is a certain space for heat exchanging and maintenance, so that the ventilation is smooth and the running is reliable.
- (5) Outdoor units and indoor units should be as close as possible to minimize the length and angle of the cooling pipes.
- (6) Do not allow children to approach the unit. Preventive measures should be taken to prevent children from contacting the unit.
- (7) The unit should not be installed in places with high environmental pH or high voltage fluctuations, and places such as vehicles and ships.
- (8) Do not install the unit at the place where is close to the equipment that generates electromagnetic waves. Electromagnetic waves can affect the control system and cause fault.

7.3 Installation space requirements of ODU

Unit : mm

The installation space of the unit should consider the maintenance space of the unit and the ventilation of the unit. Select an installation method according to the actual situation.

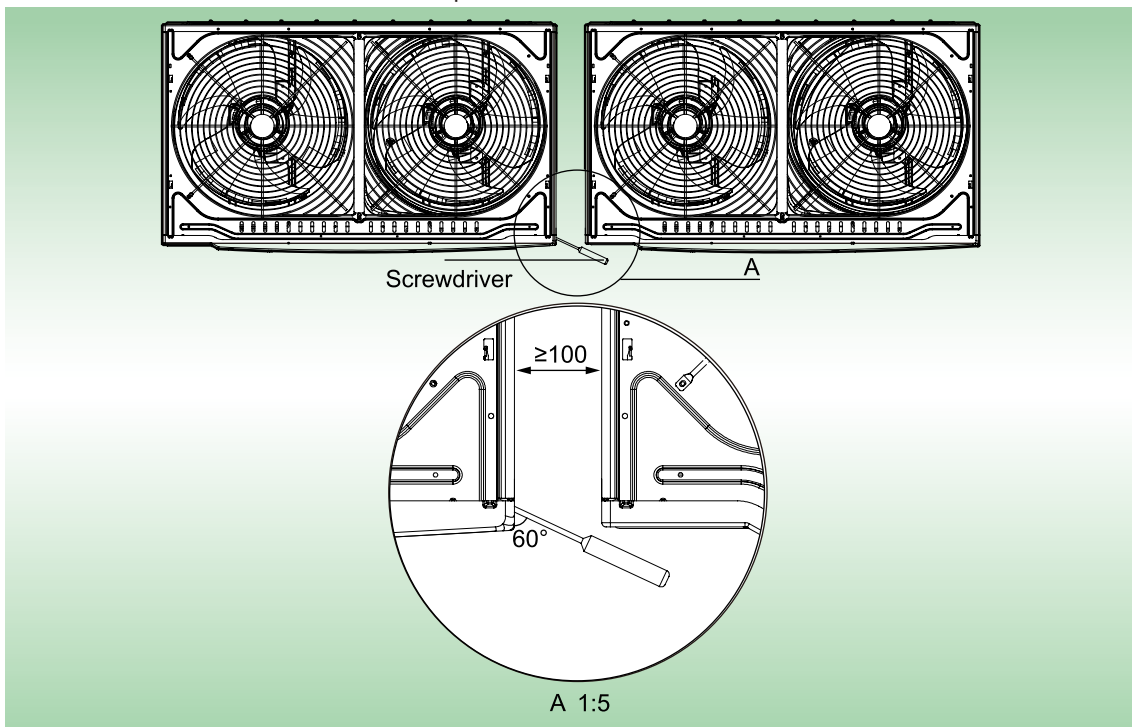


Situation	A+B+C+D	A+B
Situation 1	$a \geq 300$ $b \geq 100$ $c \geq 100$ $d \geq 500$	$a \geq 300$ $b \geq 300$
Situation 2	$a \geq 300$ $b \geq 100$ $c \geq 100$ $d \geq 500$ $e \geq 100$	$a \geq 300$ $b \geq 300$ $e \geq 400$

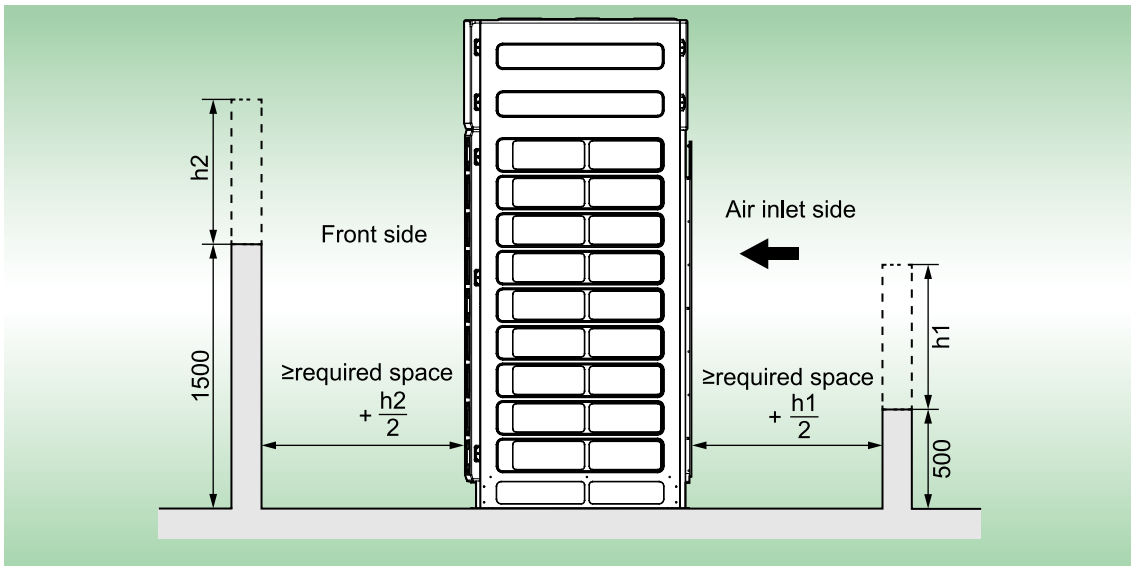
Situation	A+B+C+D	A+B
Situation 3	$a \geq 300$ $b \geq 100$ $c \geq 100$ $d \geq 500$ $e \geq 200$ $f \geq 600$	-
Situation 4	$a \geq 300$ $b \geq 100$ $c \geq 100$ $d \geq 100$ $e \geq 200$ $f \geq 500$	-
Situation 5	$a \geq 300$ $b \geq 500$ $c \geq 100$ $d \geq 500$ $e \geq 200$ $f \geq 900$	-

NOTES:

- a. The installation space shown above is based on the cooling operation when the outdoor temperature is 35°C. If the outdoor temperature exceeds 35°C or the heat load is large, and all outdoor units are operating at an excess capacity, the space at the suction side should be increased.
- b. When disassembling or installing the unit, the operation may be affected by obstacles, and the distance from the unit to the wall surface may be appropriately increased.
- c. When two or more units are installed and placed, the operation may be affected by the adjacent units. The distance between the two adjacent units is "e" ≥ 100 mm.

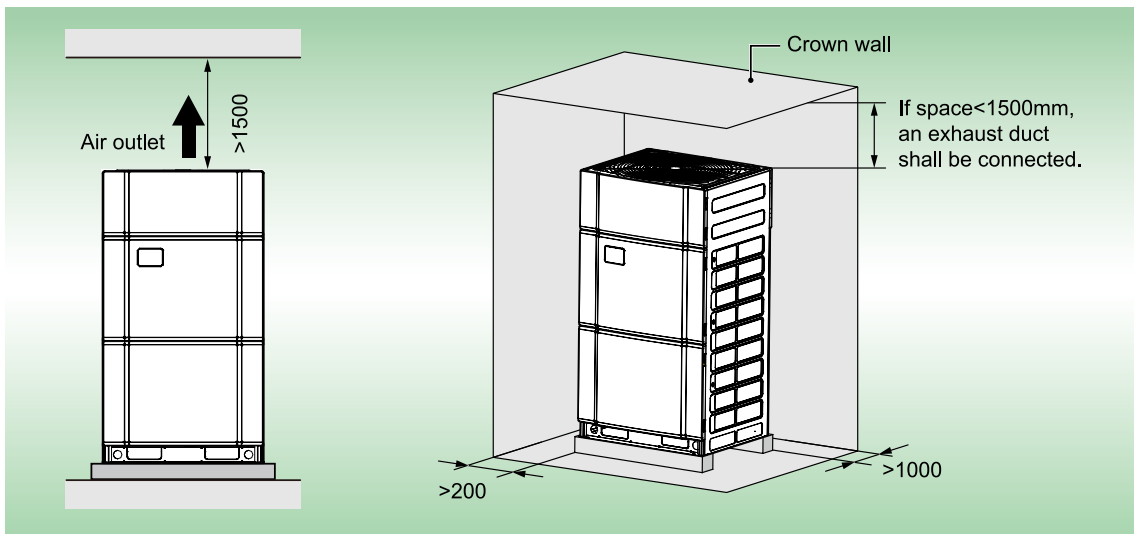


- d. If the unit is installed in the space with four walls, wall height at both side of the unit shall have no limit; wall height at return air side is below 500mm and at the front side is below 1,500mm.
- e. If the wall exceeds the above value, increase the space as follows.



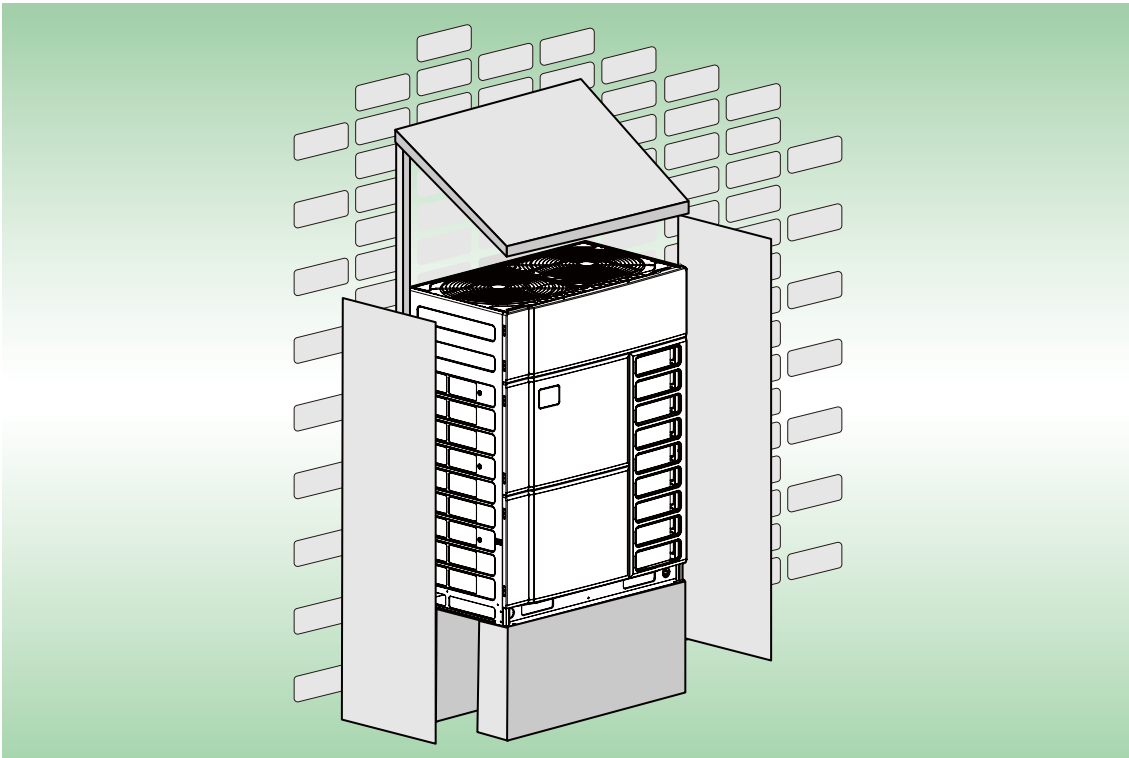
f. If there is an obstacle above the unit, install the unit as follows.

In principle, the top of the unit is required to be more than 3000 mm from the top wall. If the space around the front, back, left and right sides of the unit is open space, the top of the unit is required to be 1500mm or more from the top wall, as shown in the fig. as below. If the size is less than 1500mm, or if the space around the unit is not open, you need to connect an exhaust duct for smooth ventilation, as shown below.

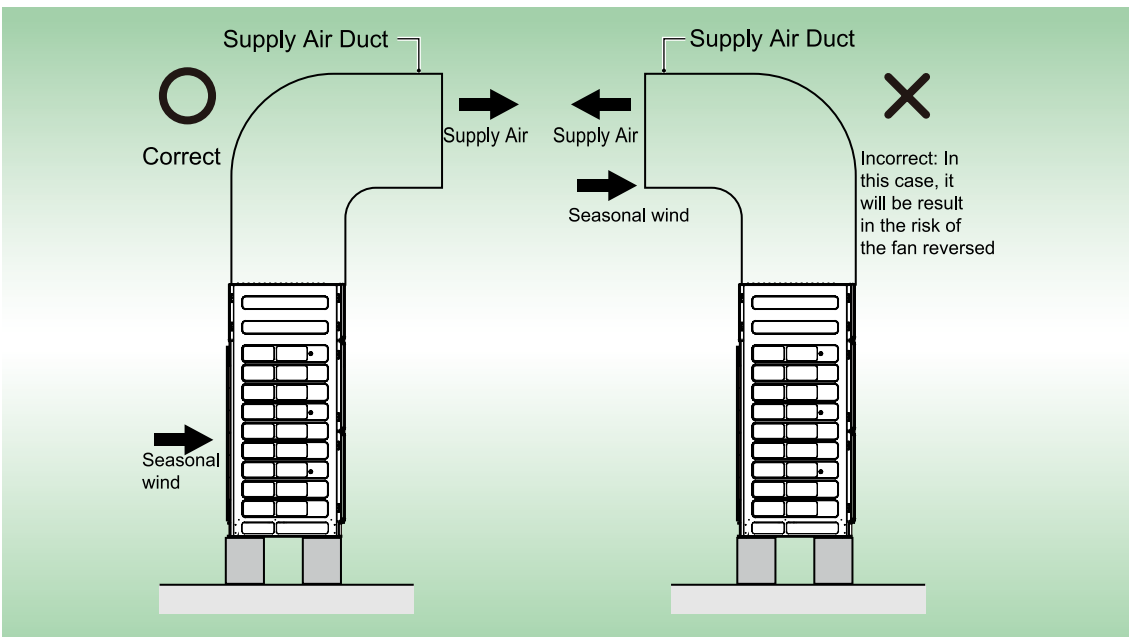


➔ 7.4 Take seasonal wind into consideration when installing the outdoor unit

- (1) Anti-monsoon installation requirements for unit not connecting exhaust duct.
 When the exhaust duct is not connected, a protective cover should be installed according to the seasonal wind circumstances.
 Note: The photo is only for reference. Please refer to the installation locale.

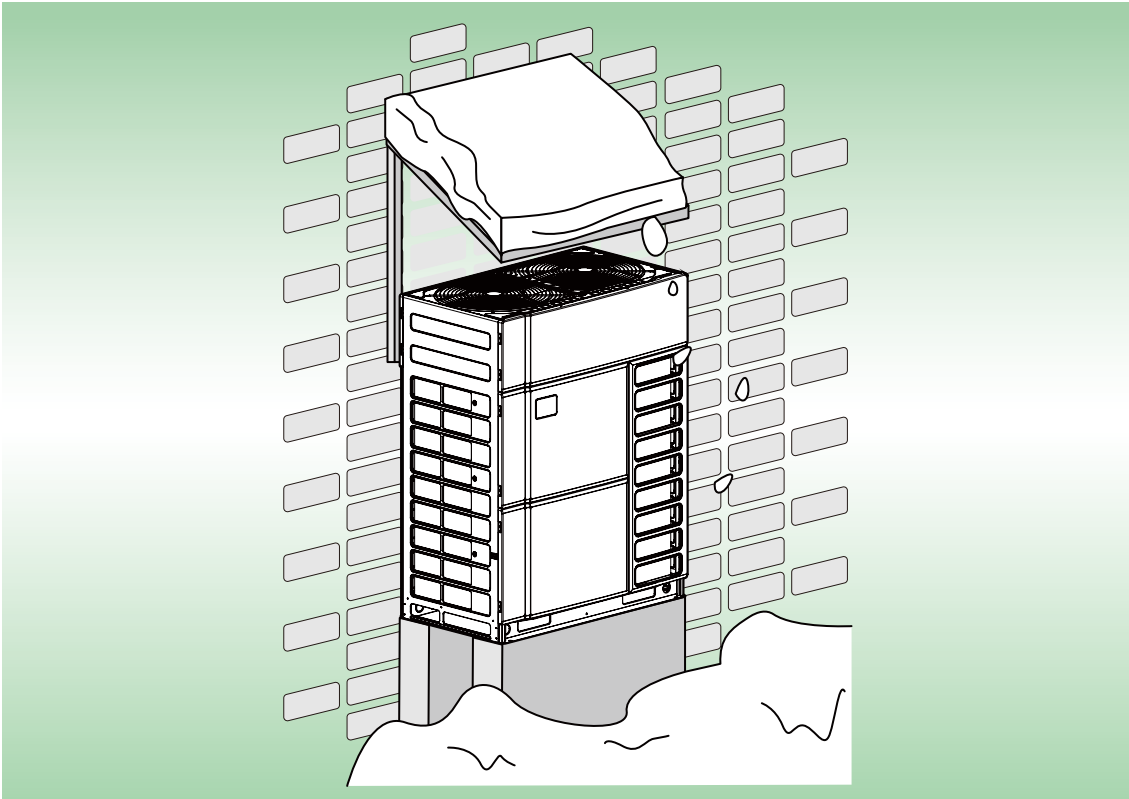


- (2) Anti-monsoon installation requirements for unit connecting exhaust duct:



➔ 7.5 Take snow into consideration when installing the outdoor unit

When the unit is installed, the snow should be taken into consideration for the height of the base.
 Note: The photo is only for reference. Please refer to the installation locale.



➔ 7.6 Installation space requirements for equipment floor

When the outdoor unit is installed in the equipment floor, it needs to connect an air exhaust duct.
 The opening ratio of the shutters in the equipment floor is not less than 60%, and the horizontal angle of louvers is less than 20°.

NOTES:

a.*Normally, the pipe length from the first branch of IDU to the farthest IDU is 40m. When those three conditions as below are satisfied, the length can reached 120m.

① Actual length of pipe in total: $L1 + L2 \times 2 + L3 \times 2 + L4 \times 2 + \dots + L9 \times 2 + a + b + \dots + i + j \leq 1000\text{m}$.

② Length between each IDU and its nearest branch a, b, c, d, e, f, g, h, i, j $\leq 40\text{m}$.

③ Difference between the pipe length from the first branch of IDU to the farthest IDU and the pipe length from the first branch of IDU to the nearest IDU: $L10 - L11 \leq 40\text{m}$.

b.**When the ODU is at the up side and the height drop exceeds 50m, please contact the engineer; when the ODU is at the lower side and the height drop exceeds 90m, please contact the engineer.

When the ODU is at the up side and the height drop between the IDU and ODU is more than 50m, the liquid pipe size from the ODU to the first manifold of IDU must be enlarged.

When the ODU is at the lower side and the height drop between the IDU and ODU is more than 40m, the liquid pipe size from the ODU to the first manifold of IDU must be enlarge

c.When the height drop among IDUs is more than 15m, the liquid pipe size from the ODU to the first manifold of IDU must be increased.

d.When the maximum length of the main pipe from ODU to the first branch of IDU is $\geq 90\text{m}$, then adjust the pipe size of the gas pipe and liquid pipe of main pipe according to the following table.

ODU model	Pipe diameter of gas pipe (mm)	Pipe diameter of liquid pipe (mm)
GMV-224WM/G-X	No need to enlarge the pipe diameter	No need to enlarge the pipe diameter
GMV-280WM/G-X	No need to enlarge the pipe diameter	Φ12.7
GMV-335WM/G-X	Φ28.6	Φ15.9
GMV-400WM/G-X	Φ28.6	Φ15.9
GMV-450WM/G-X	Φ31.8	Φ15.9
GMV-504WM/G-X	Φ31.8	Φ19.05
GMV-560WM/G-X	Φ31.8	Φ19.05
GMV-615WM/G-X	Φ31.8	Φ19.05
GMV-680WM/G-X	Φ31.8	Φ19.05
GMV-735WM/G-X	Φ38.1	Φ22.2
GMV-785WM/G-X	Φ38.1	Φ22.2
GMV-839WM/G-X	Φ38.1	Φ22.2
GMV-895WM/G-X	Φ38.1	Φ22.2
GMV-950WM/G-X	Φ38.1	Φ22.2
GMV-1015WM/G-X	Φ41.3	Φ22.2
GMV-1064WM/G-X	Φ41.3	Φ22.2
GMV-1119WM/G-X	Φ41.3	Φ22.2
GMV-1175WM/G-X	Φ41.3	Φ22.2
GMV-1230WM/G-X	Φ41.3	Φ22.2
GMV-1295WM/G-X	Φ41.3	Φ22.2
GMV-1360WM/G-X	Φ44.5	Φ22.2
GMV-1399WM/G-X	Φ44.5	Φ22.2
GMV-1455WM/G-X	Φ44.5	Φ22.2
GMV-1510WM/G-X	Φ44.5	Φ22.2
GMV-1565WM/G-X	Φ44.5	Φ22.2
GMV-1623WM/G-X	Φ44.5	Φ22.2
GMV-1679WM/G-X	Φ44.5	Φ22.2
GMV-1734WM/G-X	Φ44.5	Φ22.2
GMV-1790WM/G-X	Φ44.5	Φ22.2

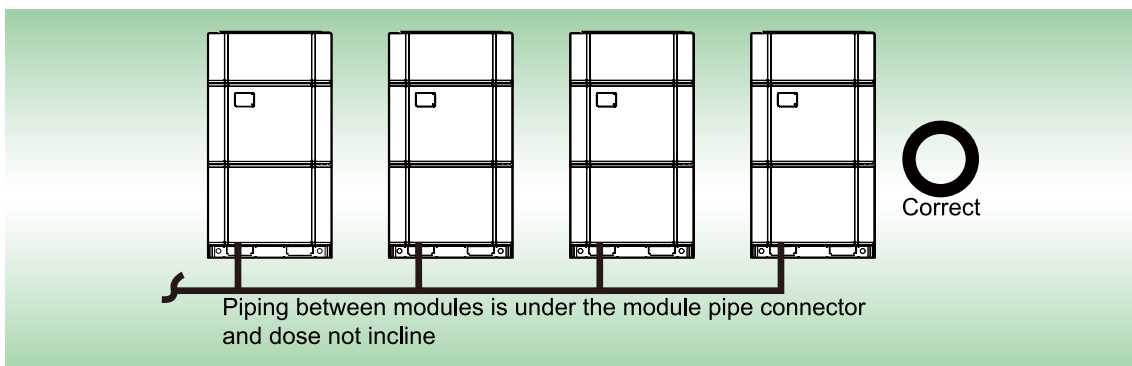
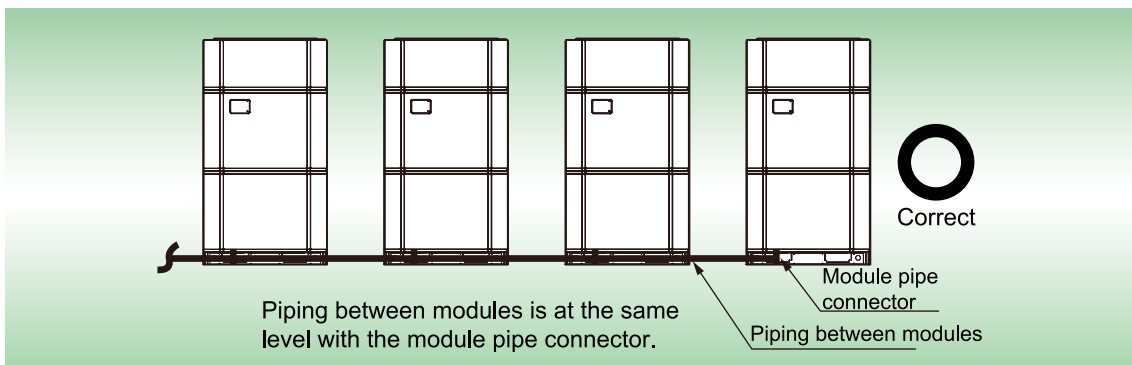
ODU model	Pipe diameter of gas pipe (mm)	Pipe diameter of liquid pipe (mm)
GMV-1845WM/G-X	Φ44.5	Φ22.2
GMV-1910WM/G-X	Φ51.4	Φ25.4
GMV-1975WM/G-X	Φ51.4	Φ25.4
GMV-2040WM/G-X	Φ51.4	Φ25.4
GMV-2069WM/G-X	Φ51.4	Φ25.4
GMV-2129WM/G-X	Φ51.4	Φ25.4
GMV-2190WM/G-X	Φ51.4	Φ25.4
GMV-2245WM/G-X	Φ51.4	Φ25.4
GMV-2295WM/G-X	Φ51.4	Φ25.4
GMV-2350WM/G-X	Φ51.4	Φ25.4
GMV-2414WM/G-X	Φ51.4	Φ25.4
GMV-2470WM/G-X	Φ51.4	Φ25.4
GMV-2525WM/G-X	Φ51.4	Φ25.4
GMV-2590WM/G-X	Φ51.4	Φ25.4
GMV-2655WM/G-X	Φ51.4	Φ25.4
GMV-2720WM/G-X	Φ51.4	Φ25.4

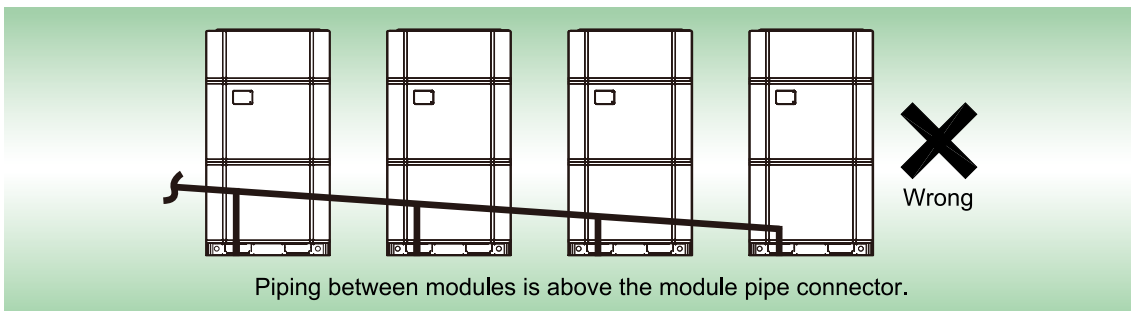
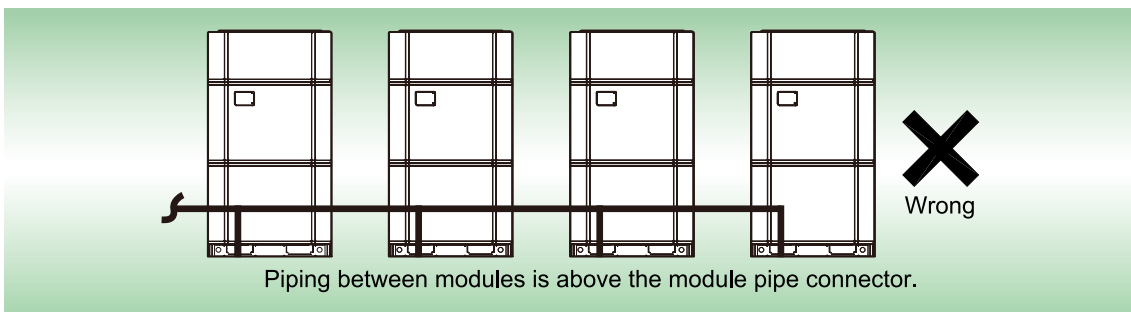
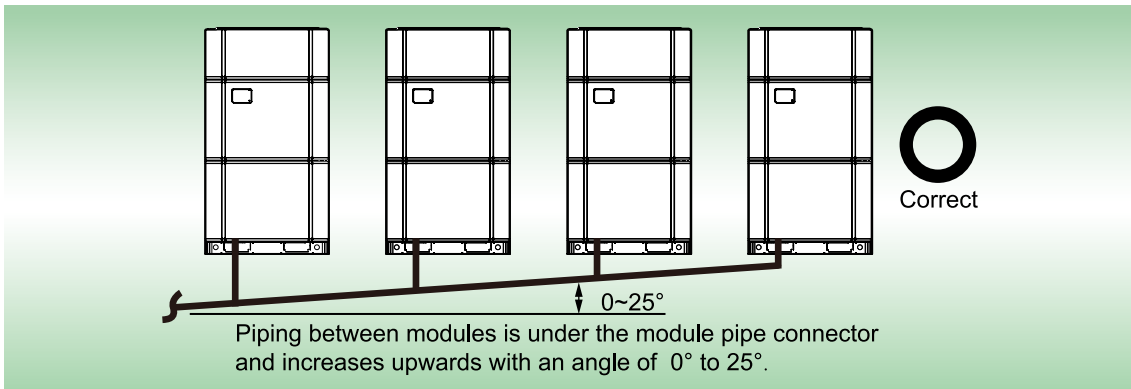
e.If the liquid pipe is enlarged for a situation from (2) ~ (4), please do not enlarged any more.

f.If the length between an IDU and its nearest branch is above 15m, then increase the size of the liquid pipe (only for the pipe size that is $\leq 6.35\text{mm}$) and gas pipe (only for the pipe size that is $\leq 9.52\text{mm}$) of IDU.

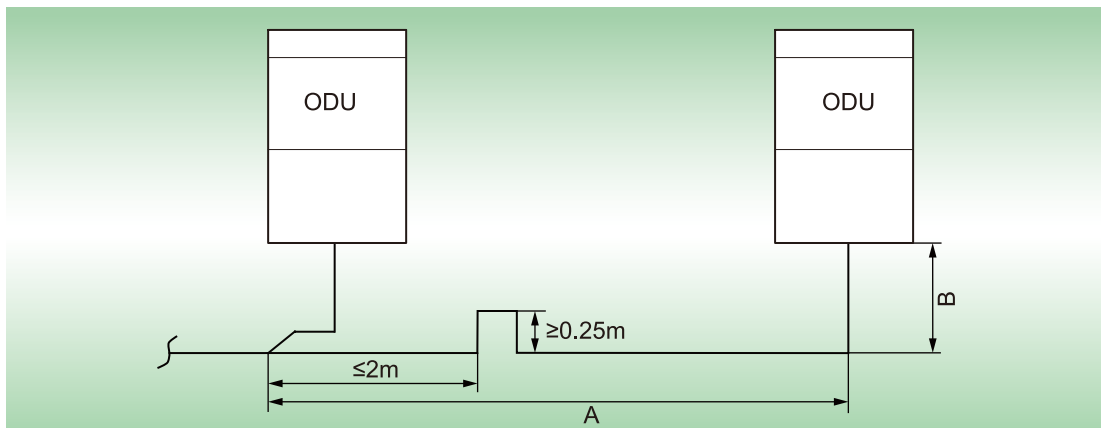
8.2 Connection pipe among outdoor modules

(1) The pipe among the outdoor modules must be at the same level or tilted upwards. Otherwise, the refrigeration oil will remain in the pipe.





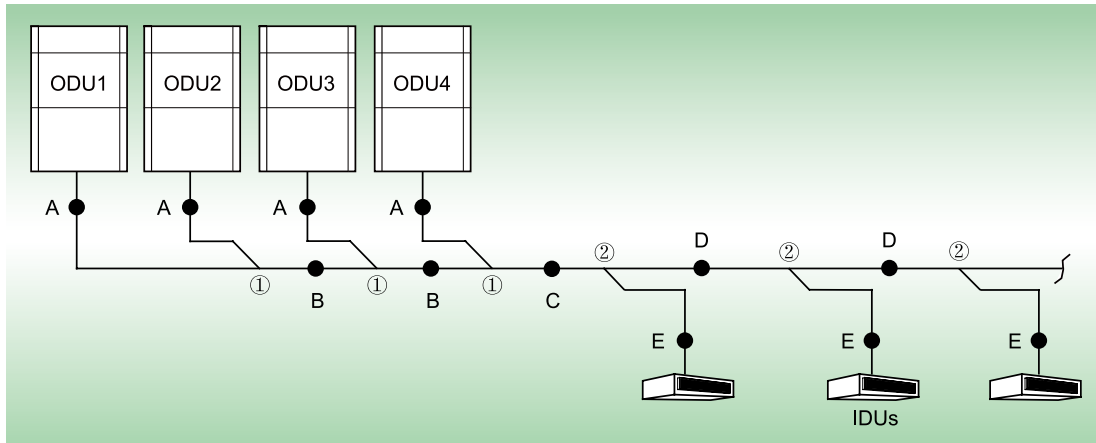
(2) The drop and the length of the pipe between the outdoor units are as follows.



NOTE:

When the distance $A+B$ between the outdoor modules exceeds 2m, U-type oil trap should be added at low-pressure gas pipe and is no more than 2m away from the outdoor manifold, and $A+B \leq 10\text{m}$. The height drop among the outdoor units is 0m.

8.3 Piping selection



- (1) When its modular units connection, the ODU must be installed in capacity order: $ODU\ 4 \geq ODU\ 3 \geq ODU\ 2 \geq ODU\ 1$.
- (2) Pipe "A" between the outdoor unit and the manifold of outdoor unit.
The pipe size is based on the capacity of upstream module.

Basic module (single module system)	Piping size between the first branch of ODU and IDU	
	Gas pipe (mm)	Liquid pipe (mm)
GMV-224WM/G-X	Φ19.05	Φ9.52
GMV-280WM/G-X	Φ22.2	Φ9.52
GMV-335WM/G-X	Φ25.4	Φ12.7
GMV-400WM/G-X	Φ25.4	Φ12.7
GMV-450WM/G-X	Φ28.6	Φ12.7
GMV-504WM/G-X	Φ28.6	Φ15.9
GMV-560WM/G-X	Φ28.6	Φ15.9
GMV-615WM/G-X	Φ28.6	Φ15.9
GMV-680WM/G-X	Φ28.6	Φ15.9

- (3) Fitting pipe "B" between outdoor unit manifold; fitting pipe "C" from outdoor unit to indoor manifold.
Pipe size (between two manifolds from basic modules) is based on the total capacity of upstream modules.

Total rated capacity of upstream module Q (kW)	Piping size among ODU modular branches	
	Gas pipe (mm)	Liquid pipe (mm)
$Q \leq 22.4$	Φ19.05	Φ9.52
$22.4 < Q \leq 30.0$	Φ22.2	Φ9.52
$30.0 < Q \leq 40.0$	Φ25.4	Φ12.7
$40.0 < Q \leq 45.0$	Φ28.6	Φ12.7
$45.0 < Q \leq 68.0$	Φ28.6	Φ15.9
$68.0 < Q \leq 96.0$	Φ31.8	Φ19.05
$96.0 < Q \leq 135.0$	Φ38.1	Φ19.05
$135.0 < Q \leq 186.0$	Φ41.3	Φ19.05
$186.0 < Q$	Φ44.5	Φ22.2

(4) Fitting pipe "D" between indoor side manifolds.

Pipe size (between two manifolds at indoor unit side) is based on the total capacity of downstream indoor unit(s).

Total rated capacity X (kW) of downstream IDU	Piping size of indoor branches	
	Gas pipe (mm)	Liquid pipe (mm)
$X \leq 5.0$	Φ12.7	Φ6.35
$5.0 < X \leq 14.2$	Φ15.9	Φ9.52
$14.2 < X \leq 22.4$	Φ19.05	Φ9.52
$22.4 < X \leq 30.0$	Φ22.2	Φ9.52
$30.0 < X \leq 40.0$	Φ25.4	Φ12.7
$40.0 < X \leq 45.0$	Φ28.6	Φ12.7
$45.0 < X \leq 68.0$	Φ28.6	Φ15.9
$68.0 < X \leq 96.0$	Φ31.8	Φ19.05
$96.0 < X \leq 135.0$	Φ38.1	Φ19.05
$135.0 < X \leq 186.0$	Φ41.3	Φ19.05
$186.0 < X$	Φ44.5	Φ22.2

(5) Fitting pipe "E" between indoor unit and manifold.

Manifold should be matched with fitting pipe of indoor unit.

Rated capacity C (kW) of IDU	Piping size of indoor branch and IDU	
	Gas pipe (mm)	Liquid pipe (mm)
$C \leq 2.8$	Φ9.52	Φ6.35
$2.8 < C \leq 5.0$	Φ12.7	Φ6.35
$5.0 < C \leq 14.2$	Φ15.9	Φ9.52
$14.2 < C \leq 22.4$	Φ19.05	Φ9.52
$22.4 < C \leq 30.0$	Φ22.2	Φ9.52
$30.0 < C \leq 40.0$	Φ25.4	Φ12.7
$40.0 < C \leq 45.0$	Φ28.6	Φ12.7

(6) Select the branch "①" of outdoor module.

	Model
Selection of outdoor modular branch	ML01/A

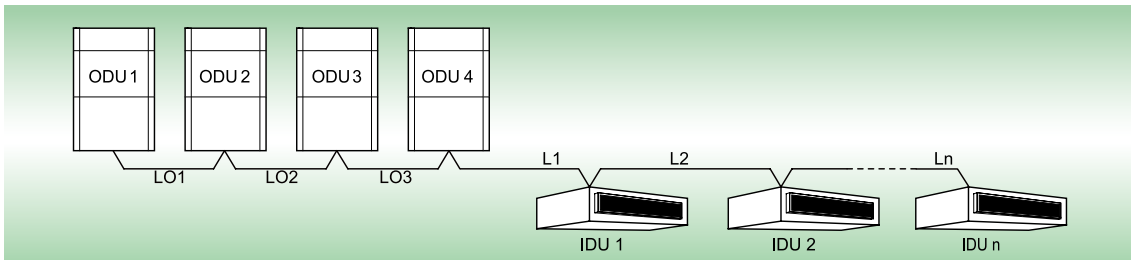
(7) Select the manifold "②" at indoor side.

Manifold at indoor unit side can be selected as per total capacity of downstream indoor unit(s). Refer to the following table.

R410A refrigerant system	Total rated capacity of downstream IDU X (kW)	Model
Y-shape branch	$X < 20.0$	FQ01A/A
	$20.0 \leq X \leq 30.0$	FQ01B/A
	$30.0 < X \leq 70.0$	FQ02/A
	$70.0 < X \leq 135.0$	FQ03/A
	$135.0 < X$	FQ04/A
T-shape branch	$X \leq 40.0$	FQ14/H1
	$X \leq 68.0$	FQ18/H1
	$68.0 < X$	FQ18/H2

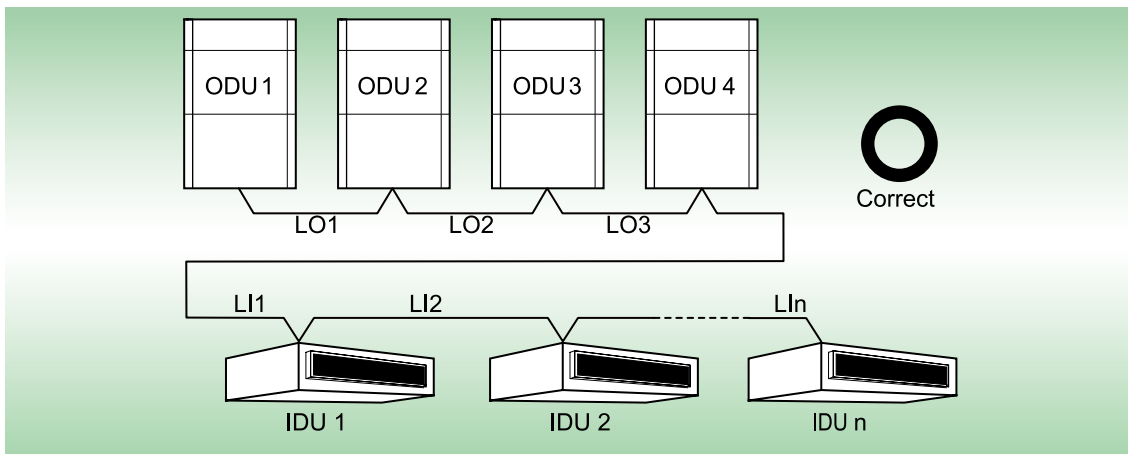
(2) Selection of communication line between outdoor unit and indoor unit.

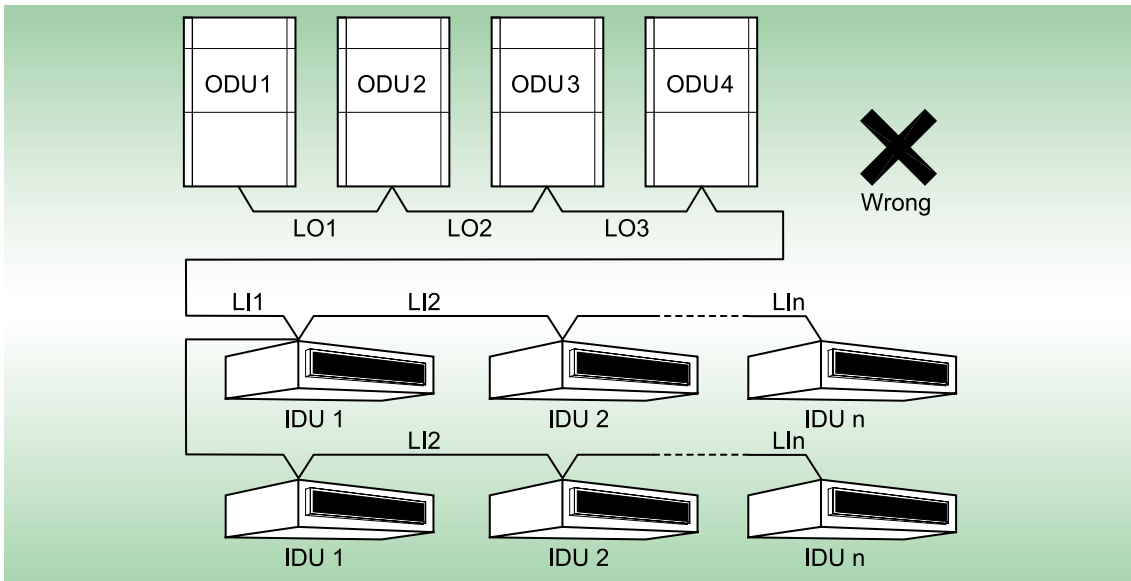
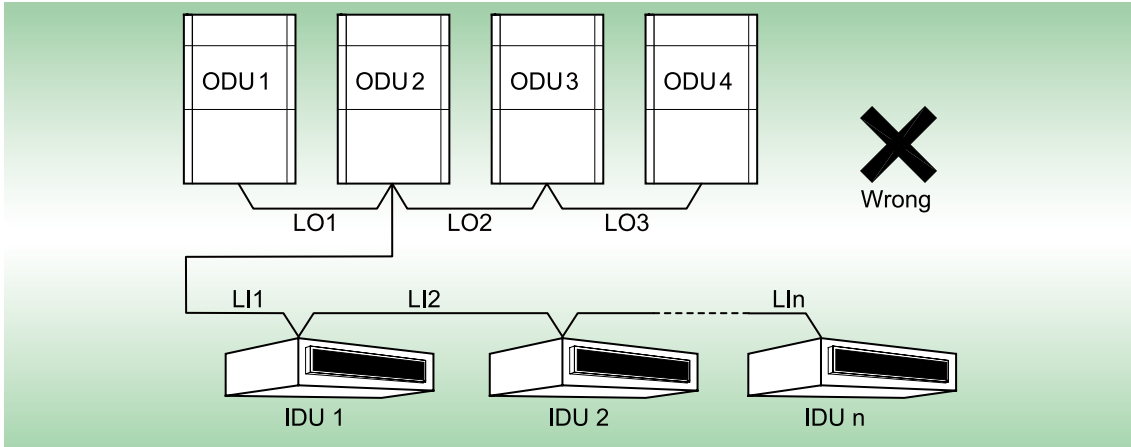
Material Type	Total Length L (m) of Communication Cable between Indoor Unit and Indoor (Outdoor) Unit	Wire size (mm ²)	Material Standard	Remarks
Light/Ordinary polyvinyl chloride sheathed cord. (60227 IEC 52 /60227 IEC 53)	$L \leq 1000$	$\geq 2 \times 0.75$	IEC 60227-5:2007	1.If the wire diameter is enlarged to $2 \times 1 \text{ mm}^2$, the total communication line length can reach 1500 m. 2.The cord shall be Circular cord (the cores shall be twisted together). 3.If unit is installed in places with intense magnetic field or strong interference, it is necessary to use shielded wire.



9.2.2 Communication connection method

The connection of IDU and ODU communication cord must adopt series connection, not starred connection; the terminal side IDU of IDU and ODU communication cord must be connected with the matched resistance (placed in the package bag of ODU), the IDU of energy recovery ventilation is not suggested to be set as the master indoor unit.

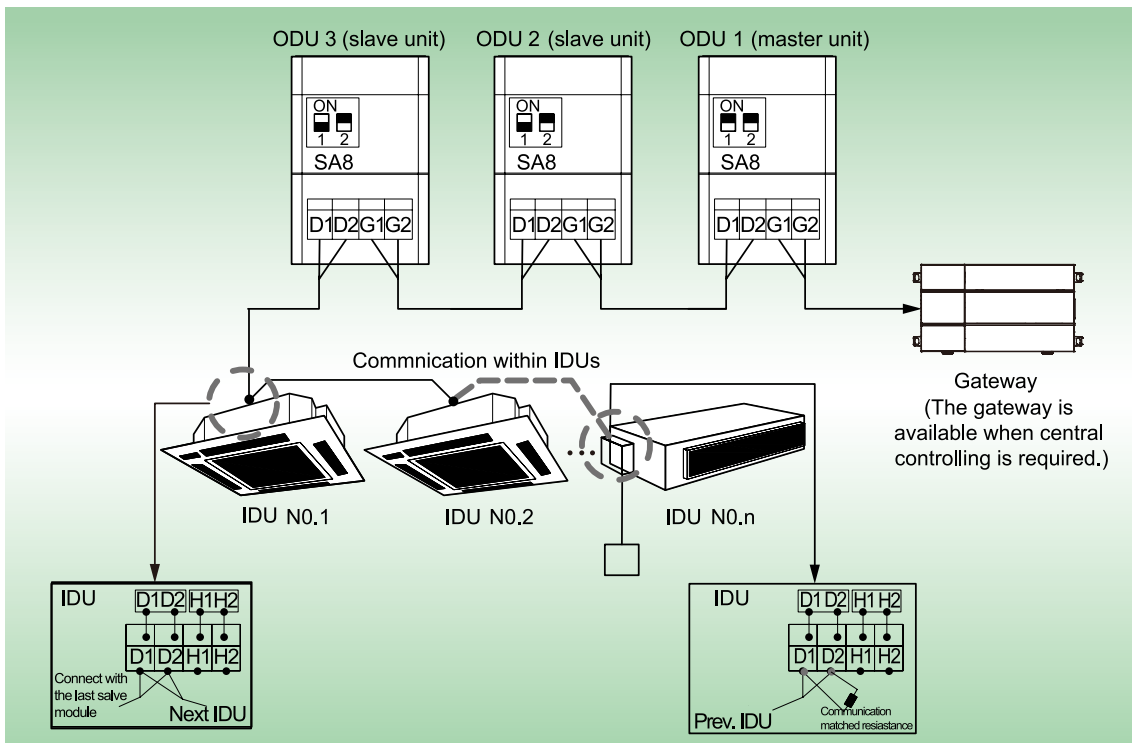
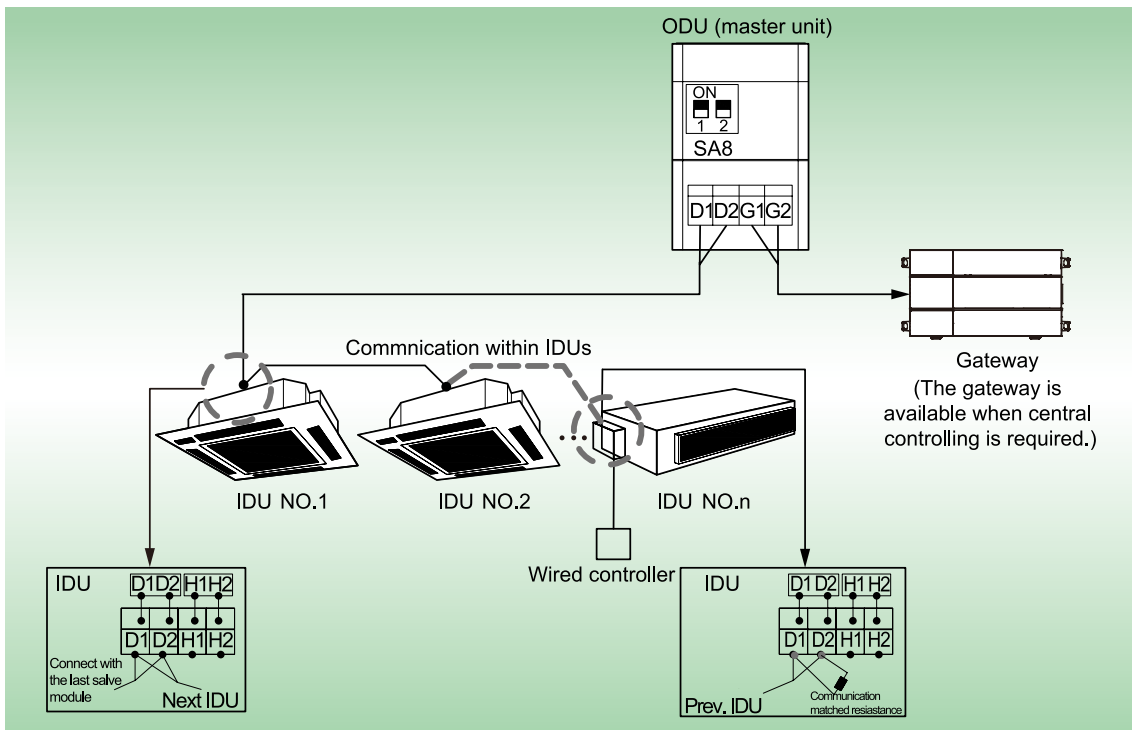




9.3 Connection method introduction of communication cord

9.3.1 Communication connection between IDU and ODU

IDU and ODU is connected through the D1/D2 port of wiring board. Connection for a single unit and modular connection is as follow:

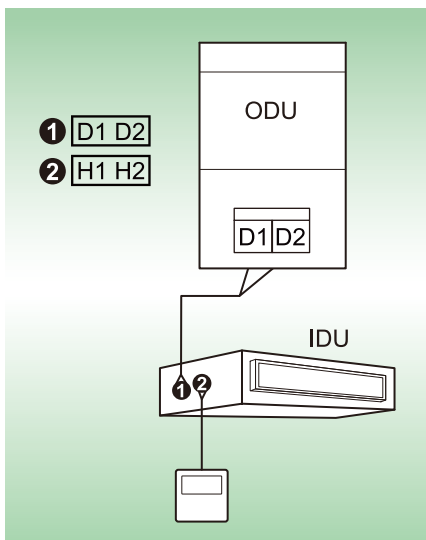


NOTES:

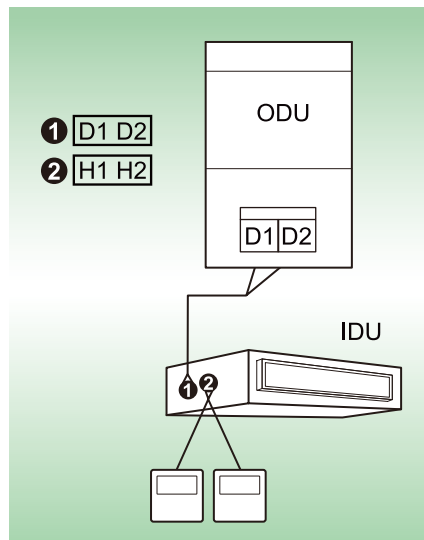
- a. In modular ODU, if there're several ODU modules, the first set of ODU module in the communication cord must be the master module and shall not be connected to IDU (master module is set by SA8 of ODU main board)
- b. In modular ODU, if there're several ODU modules, then IDU must be connected to the subordinate module of the last ODU (subordinate board is set by SA8 of ODU main board)
- c. Conduct separate wiring for the communication cord and power cord to avoid interference.
- d. The length of communication cord must be proper, no overlap-connected is allowed.
- e. The IDU must adopt series connection and the last IDU must be connected to the matched resistance (provided in ODU sub-assy list).
- f. Wiring method and setting of central controller shall refer to related manuals.

9.3.2 Communication connection method between IDU and wired controller

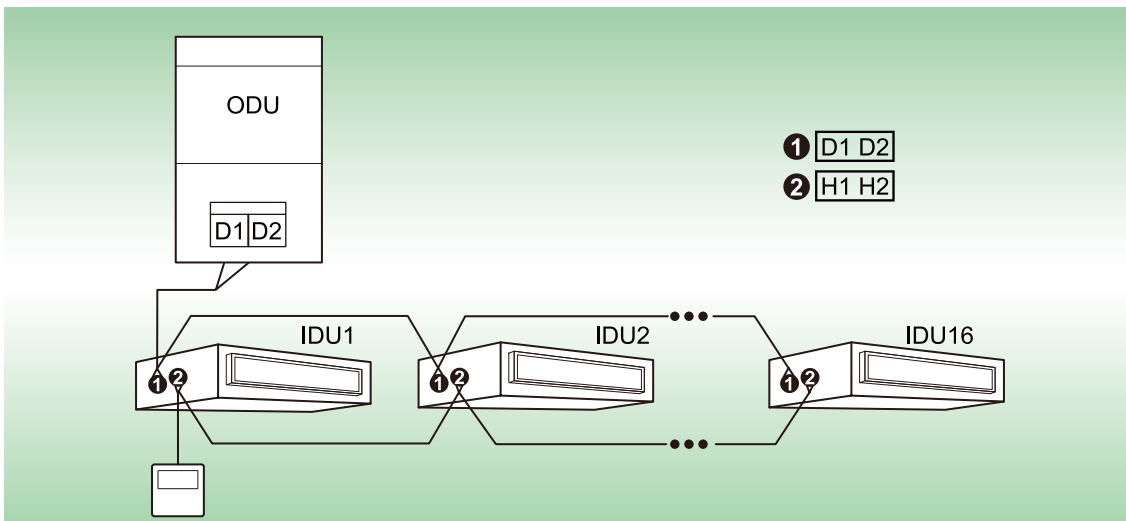
There are 4 connection ways between IDU and wired controller, please refer to the follow:



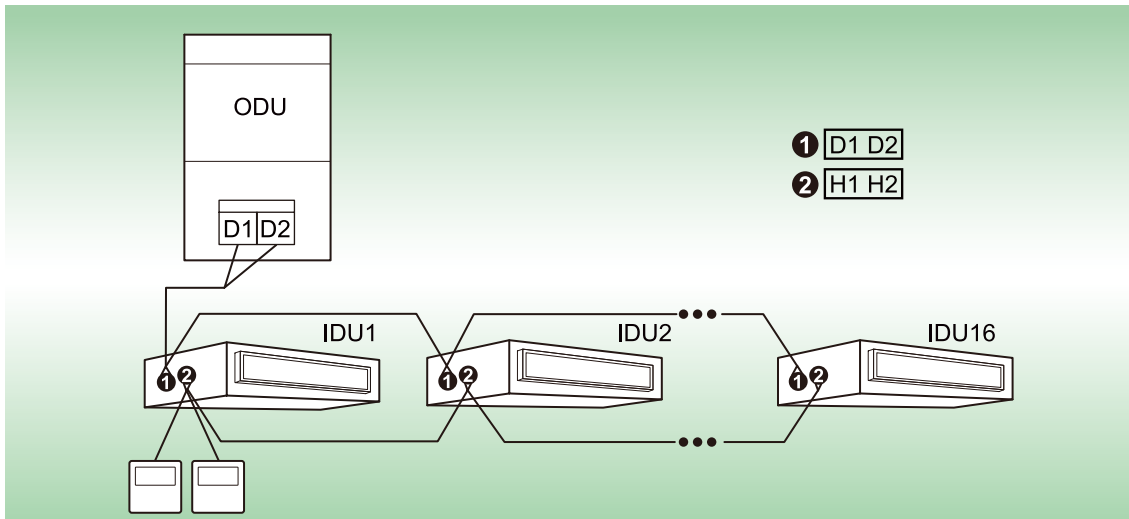
One wired controller controls one IDU



Two wired controllers control one IDU



One wired controller control multiple IDU



Two wired controllers control multiple IDU

When two wired controllers control several IDUs at the same time, the wired controller can be connected to either IDU, the connected IDU shall be the IDU of the same series, meanwhile, set one of the wired controllers and only one as the deputy wired controller. The amount of IDU controller by wired controller shall not exceed 16 sets, and the connected IDU shall be in the network of the same IDU.

Set deputy wired controller under ON/OFF status:

Long press "Function" button for 5s in the wired controller which needs to be set as the deputy wired controller, the temperature area will display "C00", then long press "Function" button for 5s to enter parameter setting interface for wired controller, at this time, the temperature area will display "P00" acquiescently.

Press "▲" or "▼" button to select P13 as the parameter code and "Mode" button to switch to parameter value setting. At this time, the parameter value will blink, then press "▲" or "▼" to select "02" code. Press "Confirm/Cancel" button to complete the setting.

Press "Confirm/Cancel" button to return to the previous operation, until existing parameter setting.

Parameter setting list for the user is as follow:

Parameter code	Parameter name	Parameter range	Defaulted value	Remark
P13	Address setting for wired controller	01 : Master wired controller 02 : Deputy wired controller	01	When two wired controllers control a(or several) set(s) of IDU at the same time, the address of two wired controllers shall be different. Apart from setting the wired controller address, the deputy wired controller can not set unit parameter.

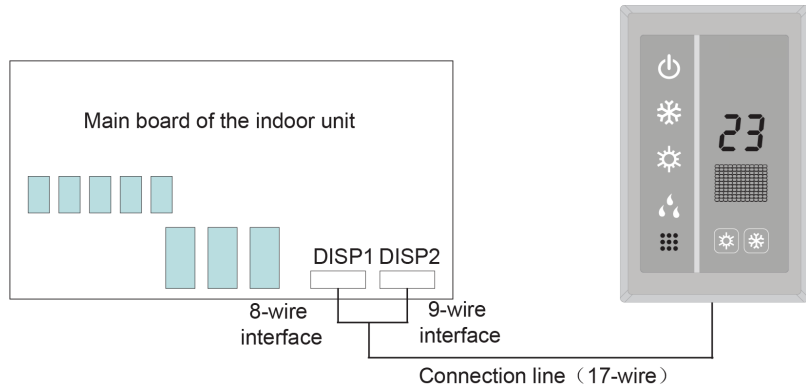
NOTES:

- a. The ex-factory setting for all the wired controller is master wired controller status.
- b. Under paramter setting status: fan speed, timer, sleep and swing buttons are invalid, press "ON/OFF" button to return to the main interface immediately, but it will not execute the startup/shutdown operation.
- c. Under paramter setting status, the signal of remte controller is invalid.

9.3.3 Connection method between duct type IDU and dash receiver

If remote dash receiver is needed for the duct type IDU, it shall be connected through DISP1 and DISP2 in the master board of IDU.

IDU type	Model of remote dash receiver	Model of connection wire	Corresponding to the interface of IDU main board
Duct type IDU	JS05	Connection wire among plates (17-core)	DISP1 (connect to 8-core interface) DISP2 (connect to 9-core interface)



NOTES:

- a. Wired controller and remote dash receiver can be used at the same time.
- b. When selecting remote dash receiver, select the remote controller.
- c. Not suitable for GMV-ND80~140PLS/C-T.

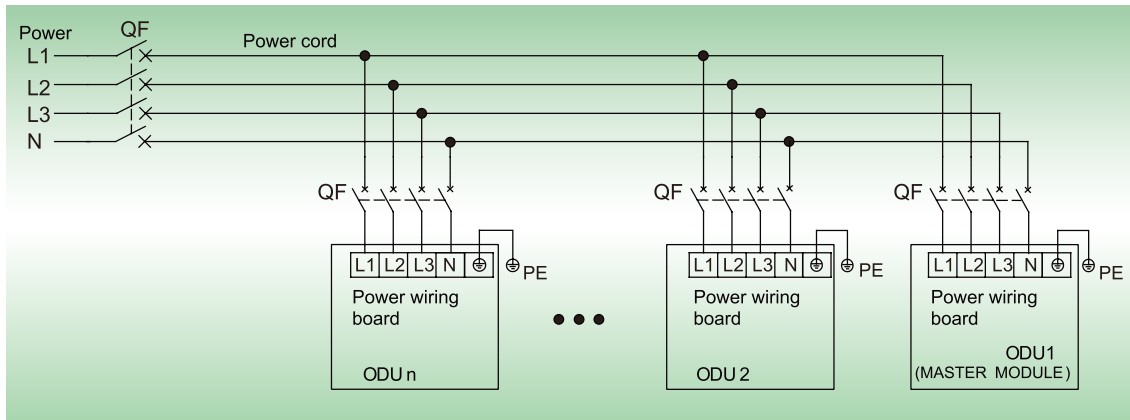
10 EXTERNAL ELECTRICAL WIRING DIAGRAM

10.1 External wiring interface

External wiring interface	Power supply	Quantity	5
		IDU/ODU communication	
		Logo	L1 L2 L3 N PE
		Quantity	2
		Logo	D1 D2
		Quantity	2
		Logo	G1 G2

10.2 External wiring

Each unit should be equipped with a circuit breaker for short circuit and abnormal overload protection. The circuit breaker is normally closed. During operation, all ODU and IDUs in the same system must be energized status; otherwise, the system cannot work normally.



NOTES:

- The max. connection quantity N of ODU is determined by the actual engineering demand.
- The power cord must use copper conductor and be consistent with related national standard for guide line and satisfy the carrying capacity demand of the unit.

11 CALCULATION METHOD ON ADDING QUANTITY OF PIPING REFRIGERANT

Total refrigerant charging amount $R = \text{Pipeline charging amount } A + \sum \text{charging amount } B \text{ of every module.}$

(1) Pipeline charging amount:

Pipeline charging amount $A = \sum \text{Liquid pipe length} \times \text{refrigerant charging amount of every 1m liquid pipe.}$

Liquid pipe diameter(mm)	Φ28.6	Φ25.4	Φ22.2	Φ19.05	Φ15.9	Φ12.7	Φ9.52	Φ6.35
kg/m	0.680	0.520	0.350	0.250	0.170	0.110	0.054	0.022

(2) Σ Refrigerant charging amount B of every module:

Adding quantity of ODU refrigerant B(kg)**		ODU capacity(kW)									
Allocation rate of rated capacity of IDU and ODU C*	Allocation quantity of IDU	22.4	28	33.5	40	45	50.4	56	61.5	68	
50% ≤ C ≤ 70%	< 4	0	0	0	0	0	0	0	0	0	
	≥ 4	0.5	1	1	1	1	0.5	1	1.5	1.5	
70% < C ≤ 90%	< 4	0.5	1	1	2	2	1.5	2	2	2	
	≥ 4	1	1	1	2	2	2.5	3	3.5	3.5	
90% < C ≤ 105%	< 4	1	1	1	2	2	2.5	3	3.5	3.5	
	≥ 4	2	2	2	4	4	4	5	5	5	
105% < C ≤ 135%	< 4	2	2	2	3	3	3.5	4	4	4	
	≥ 4	3.5	4	4	5	5	5.5	6	6	6	

NOTES:

- *Rated capacity configuration rate of indoor unit and outdoor unit $C = \text{sum of indoor unit rated cooling capacity} / \text{sum of outdoor unit rated cooling capacity.}$
- **If all indoor units are all fresh air indoor units, the added refrigerant amount for each module B is

0kg.

c.If all fresh air indoor units are mixed with the general VRF indoor units, charge the refrigerant according to the refrigerant-charging method of the general indoor unit.

For example 1:

Outdoor unit consists of one 28kW module and one 45kW module. Five 14kW duct type units are used as indoor units.

IDU/ODU rated capacity collocation ratio $C = 14.0 \times 5 / (28.0 + 45.0) = 96\%$. The quantity of included IDUs is more than 4 sets. Please refer to the above table.

Additional refrigerant quantity B for 28kW module is 2.0 kg.

Additional refrigerant quantity B for 45kw module is 4 kg.

So, \sum Refrigerant charging amount B of every module = 2.0 + 4 = 6 kg.

Suppose the Pipeline charging amount $A = \sum$ Liquid pipe length \times refrigerant charging amount of every 1m liquid pipe = 20kg.

Total refrigerant charging amount $R = 20 + 6 = 26$ kg.

For example 2:

Outdoor unit is a 45kW module and the indoor unit is a 45kW fresh air unit. The quantity (B) of refrigerant added to this module is 0kg.

So, \sum Refrigerant charging amount B of every module = 0kg.

Suppose the Pipeline charging amount $A = \sum$ Liquid pipe length \times refrigerant charging amount of every 1m liquid pipe = 5kg.

Total refrigerant charging amount $R = 5 + 0 = 5$ kg.

Modular combination of outdoor unit subjects to combinations that is currently available.

12 NOTICES

12.1 Safety notices

- (1) The unit should not be installed in places with high pH, high voltage fluctuations, vehicles and ships.
- (2) Do not touch the fins of the heat exchanger. Improper touch can cause damage.
- (3) Do not mix other substance apart from refrigerant in the refrigerant circuit during installing or moving the unit, and do not leave any air in the pipe. If air or other substances are mixed, the system pressure will rise, the compressor will burst and damage will occur.
- (4) Don't seal the non-specified refrigerant when installing or moving the unit, otherwise, it might cause poor operation, malfunction, mechanical breakdown, etc, or even cause major safety accident.
- (5) When moving the unit or repairing the recycled refrigerant, be sure to use the pressure gauge. Conduct the cooling operation first, then completely shut down the valve (liquid valve) at high pressure side. When the pressure gauge display 0 ~ 0.05MPa, completely shut down the valve (gas valve) at low pressure side and immediately stop running and cut off the power.
- (6) When recovering the refrigerant, please make sure to completely shut down the liquid valve and gas valve, and cut off the power before dismantling the connection pipe; otherwise, there will be air intrusion, resulting in pressure rise of the system, if the compressor is burst, it will cause damages.
- (7) When installing the unit, make sure that the connection pipe is securely connected before starting the compressor. If the compressor is started before the connection pipe is connected and when the cut off valve is started, there will be air intrusion, resulting in pressure rise of the system, if the compressor is burst, it will cause damages.
- (8) Wiring between indoor and outdoor units must be correctly connected with the specified wires, and the wiring terminal shall not be affected by external forces. Poor connection or fixing might cause fire accident.

- (9) No connection is allowed in the middle of the wire. When the length of the connecting wire is not enough, please contact the designated service store to re-equip a dedicated wire of sufficient length.

12.2 Notices on using refrigerant

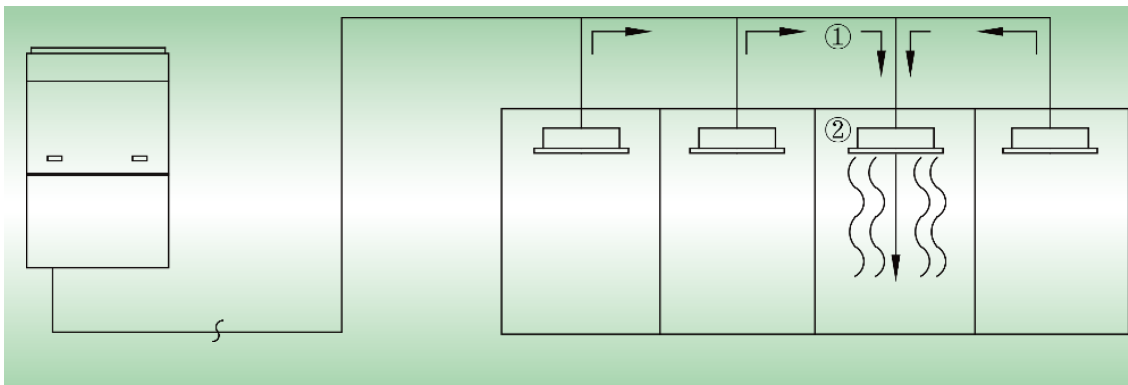
- (1) AC project designers and installers shall obey the local laws and regulations on the safety requirement of the usage and leakage of refrigerant.
- (2) The multi VRF unit adopts R410A refrigerant. When installing in the space with people, the refrigerant amount shall not exceed the max.allowable concentration. Otherwise, suffocation will occur. For example, the max.allowable concentration for refrigerant of European safety standard and regulation is $0.44\text{kg}/\text{m}^3$.

Max. refrigerant charge(kg)= Room volume(m^3) \times max. allowable concentration(kg/m^3)

Refrigerant charge(kg)= Adding quantity of refrigerant(kg)+ \sum ex-factory charge of ODU(kg)

Refrigerant charge \leq Max. refrigerant charge

- (3) When refrigerant charge has exceeded the max.refrigerant charge, re-design the refrigeration system and divide the refrigeration system to several refrigeration systems of small volume, or add corresponding ventilation measures and alarms.



① The flow when refrigerant is leaking;

② For the room with leaked refrigerant, as the density of refrigerant is higher than that of air, please pay attention to the locations which might have refrigerant, e.g basement.

13 OPTIONAL COMPONENTS

—		Model	Remarks
Manifold	Outdoor unit	ML01/A	For the model selection method, see the part of pipeline selection.
	Indoor unit	FQ01A/A, FQ01B/A, FQ02/A, FQ03/A, FQ04/A	-
Remote controller		YAP1F	Duct-type indoor unit Optional (Wall-Mounted indoor unit, the air Cassette, Floor Ceiling Standard)
Remote controller for debugging		YV1L1	With the debugging function, used to set functions of the indoor unit
Classic wired controller		Wired controller XK46	Applicable to the air Cassette, Floor Ceiling, Wall-Mounted indoor unit Optional (Duct-type, Concealed Floor Standing Type indoor unit Standard)
Wired controller		Wired controller XK79	With the access control function
Wired controller		Wired controller XE70-33/H	-
Centralized controller		CE52-24/F(C)	-
E-Smart Zone controller		CE54-24/F(C)	-
Debugging software		DE40-33/A(C)	Applicable to the unit of CAN bus communication technology
Remote monitoring system	Software	FE30-24/DF(B)	Applicable to the unit of CAN bus communication technology
	Controller	GBM-LCG200E	
Remote receiving LED panel		JS05	Applicable to the air duct-type indoor unit (Not suitable for GMV-ND80~140PLS/C-T)

NOTE:

If you need the above optional components, please consult your local sales company.



GREE ELECTRIC APPLIANCES, INC. OF ZHUHAI 519070

Add: West Jinji Rd, Qianshan Zhuhai, Guangdong, China

Tel: (+86-756)8522218

Fax: (+86-756)8669426

E-mail: gree@gree.com.cn www.gree.com

SJ00527575