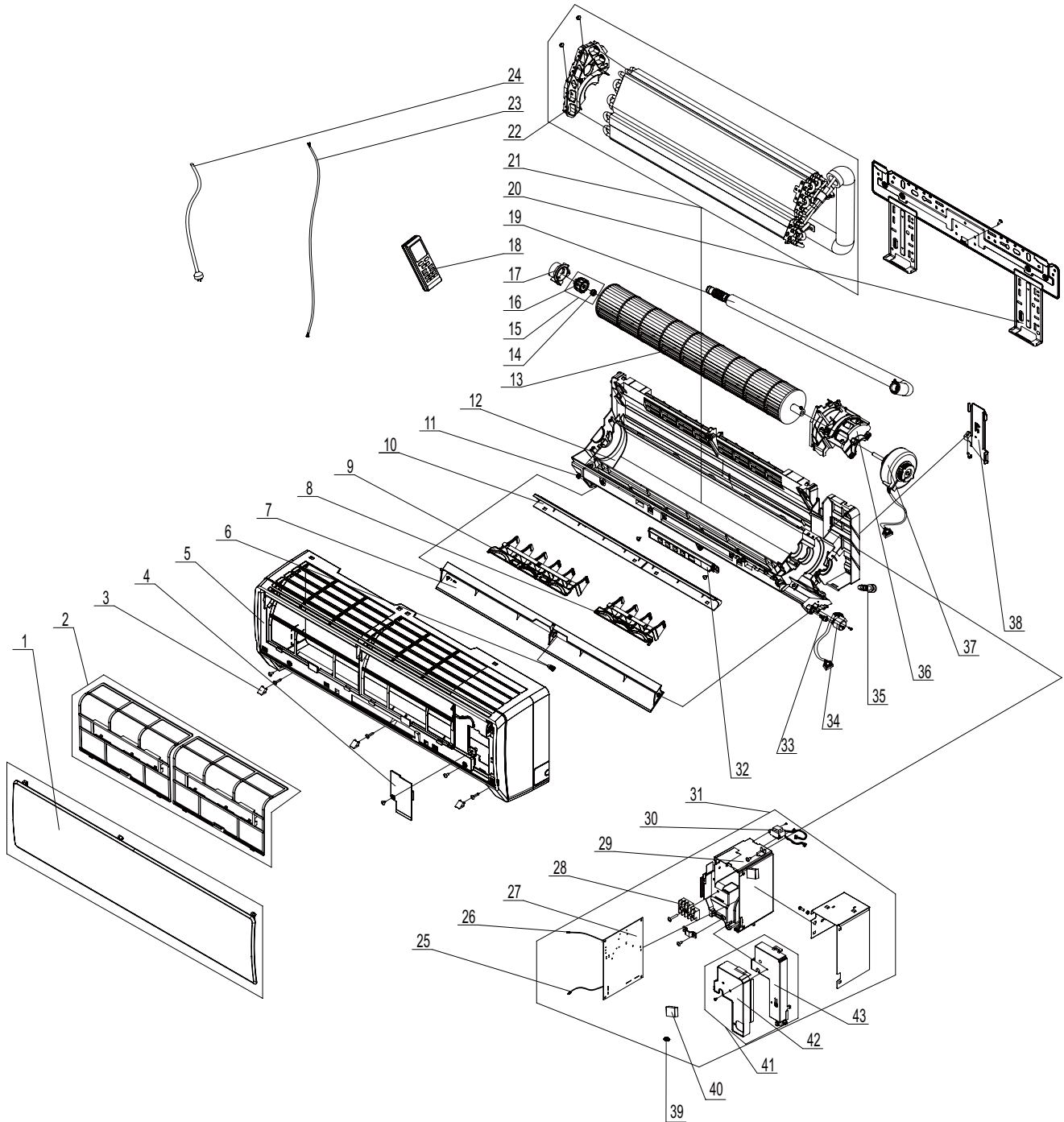


8. Exploded Views and Parts List

8.1 Indoor Unit

GWC09MA-K3DNA3B/I, GWC09MA-K3DNA4B/I, GWH09MA-K3DNA3B/I, GWH09MA-K3DNE4B/I



Exploded Views and Parts List

NO.	Description	Part Code		Qty
		GWH09MA-K3DNA3B/I	GWC09MA-K3DNA3B/I	
	Product Code	CB171N0190	CB171N0180	
1	Front Panel	20012121S	20012121S	1
2	Filter Sub-Assy	11122081	11122081	2
3	Screw Cover	24252016	24252016	3
4	Electric Box Cover2	20122075	20122075	1
5	Front Case	20012120	20012120	1
6	Axile Bush	10542008	10542008	1
7	Guide Louver	10512111	10512111	1
8	Air Louver 1	10512113	10512113	1
9	Air Louver 2	10512114	10512114	1
10	Helicoid tongue	26112162	26112162	1
11	Axile Bush	10542704	10542704	1
12	Rear Case assy	2220210101	2220210101	1
13	Cross Flow Fan	10352018	10352018	1
14	Fan Bearing	76512210	76512210	1
15	O-Gasket sub-assy of Bearing	76512051	76512051	1
16	O-Gasket of Cross Fan Bearing	76512203	76512203	1
17	Ring of Bearing	26152022	26152022	1
18	Remote Controller	01252015	01252015	1
19	Drainage hose	0523001406	0523001406	1
20	Wall Mounting Frame	01252015	01252015	1
21	Evaporator Assy	0100255203	0100255203	1
22	Evaporator Support	24212090	24212090	1
23	Connecting Cable	400205236	400205236	1
24	Power Cord	400204643	400204643	1
25	Tube Sensor	390000591	390000591	1
26	Ambient Temperature Sensor	390000451	390000451	1
27	Main Board	30138476	30138475	1
28	Terminal Board	42011233	42011233	1
29	Electric Box	2011208201	2011208201	1
30	Transformer	43110283	43110283	1
31	Electric Box Assy	2020206205	2020212847	1
32	Display Board	30565007	30565007	1
33	Crank	10582070	10582070	1
34	Step Motor	1521210801	1521210801	1
35	Rubber Plug (Water Tray)	76712012	76712012	1
36	Motor Press Plate	26112160	26112160	1
37	Fan Motor	15012115	15012115	1
38	Pipe Clamp	26112164	26112164	1
39	Jumper	4202300102	4202300102	1
40	Capacitor CBB61	33010002	33010002	1
41	Shield cover of Electric Box sub-assy	01592073	01592073	1
42	Shield cover of Electric Box	01412036	01412036	1
43	Electric Box Cover1	20122103	20122103	1

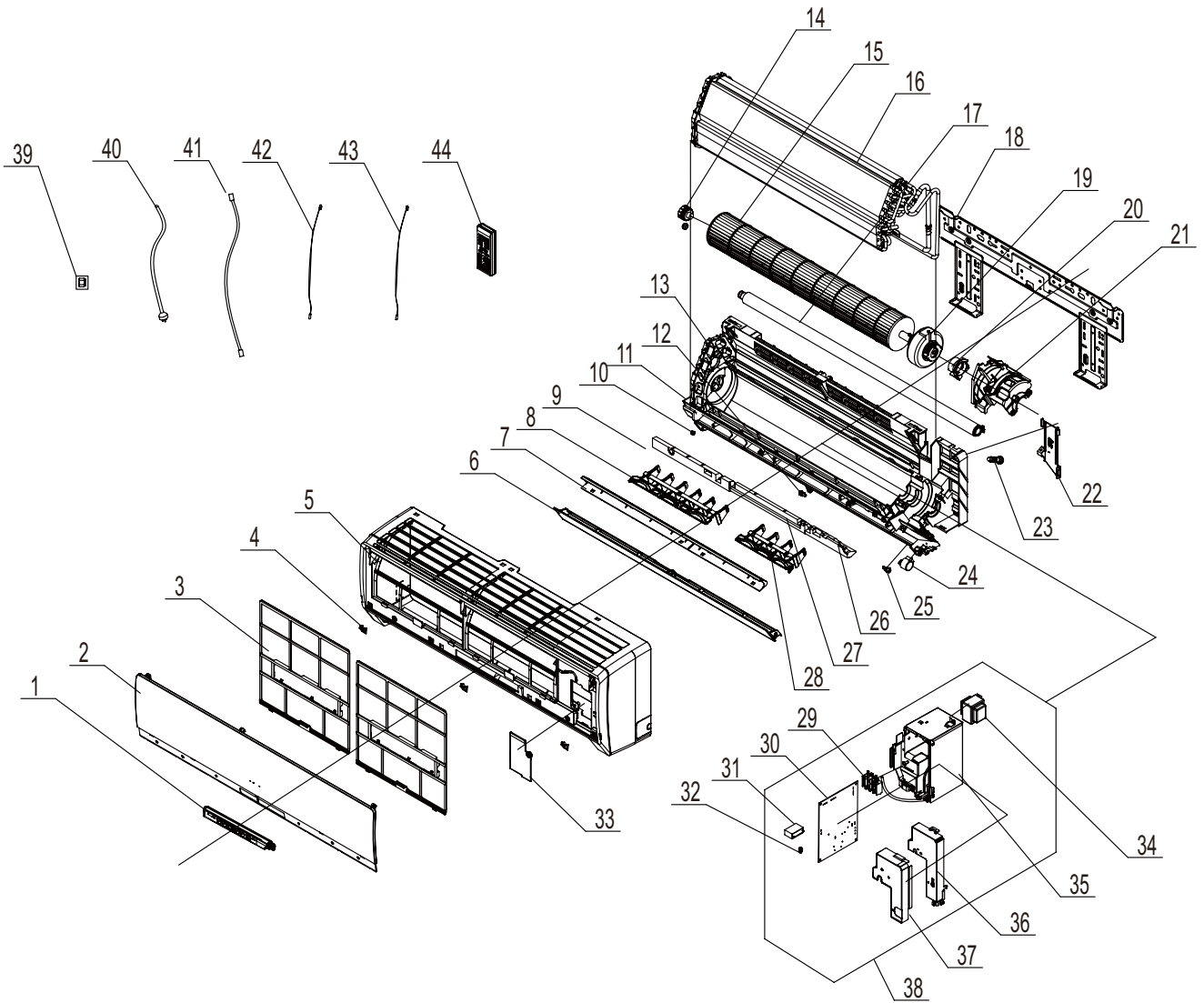
The data above are subject to change without notice.

NO.	Description	Part Code		Qty
		GWC09MA-K3DNA4B/I	GWH09MA-K3DNE4B/I	
	Product Code	CB161N02500	CB403N00200	
1	Front Panel	2001217601	20012998	1
2	Filter Sub-Assy	11122081	11122081	2
3	Screw Cover	24252016	24252016	3
4	Electric Box Cover2	20122075	20122075	1
5	Front Case	20012120	20012179	1
6	Axile Bush	10542008	10542008	1
7	Guide Louver	10512111	10512111	1
8	Air Louver 1	10512113	10512113	1
9	Air Louver 2	10512114	10512114	1
10	Helicoid tongue	26112162	26112162	1
11	Axile Bush	10542704	10542704	1
12	Rear Case assy	2220210101	2220210101	1
13	Cross Flow Fan	10352018	10352018	1
14	Fan Bearing	76512210	76512210	1
15	O-Gasket sub-assy of Bearing	76512051	76512051	1
16	O-Gasket of Cross Fan Bearing	76512203	76512203	1
17	Ring of Bearing	26152022	26152022	1
18	Remote Controller	30510041	305100413	1
19	Drainage hose	0523001406	0523001406	1
20	Wall Mounting Frame	01252015	01252015	1
21	Evaporator Assy	0100255203	0100255203	1
22	Evaporator Support	24212090	24212090	1
23	Connecting Cable	400205236	400205236	0
24	Power Cord	400204643	400204643	1
25	Tube Sensor	390000591	390000591G	1
26	Ambient Temperature Sensor	390000451	390000451	1
27	Main Board	30138475	30138476	1
28	Terminal Board	42011233	42011233	1
29	Electric Box	2011208201	2011208201	1
30	Transformer	43110283	43110283	1
31	Electric Box Assy	2020261204	202026220	1
32	Display Board	30565012	30565155	1
33	Crank	10582070	10582070	1
34	Step Motor	1521210801	1521210801	1
35	Rubber Plug (Water Tray)	76712012	76712012	1
36	Motor Press Plate	26112160	26112160	1
37	Fan Motor	15012115	15012115	1
38	Pipe Clamp	26112164	26112164	1
39	Jumper	4202300102	4202300102	1
40	Capacitor CBB61	33010002	33010002	1
41	Shield cover of Electric Box sub-assy	01592073	01592073	1
42	Shield cover of Electric Box	01412036	01412036	1
43	Electric Box Cover1	20122103	20122103	1

The data above are subject to change without notice.

Exploded Views and Parts List

GWH09MA-K3DNA2B/I, GWH09MA-K3DNA5B/I



NO.	Description	Part Code		Qty
		GWH09MA-K3DNA2B/I	GWH09MA-K3DNA5B/I	
	Product Code	CB181N03000	CB162N02800	
1	Display Board	30565056	30565073	1
2	Front Panel Sub-Assy	2001216401	20012287	1
3	Filter Sub-Assy	11122081	11122081	2
4	Screw Cover	24252016	24252016	3
5	Front Case	20012120	20012120	1
6	Guide Louver	10512111	10512111	1
7	Helicoid Tongue	26112162	26112162	1
8	Air Louver 1	10512113	10512113	1
9	Foam A (Water tray)	12312161	12312161	1
10	Axile Bush	10542704	10542704	1
11	Rear Case assy	2220210101	2220210101	1
12	Axile Bush	10542008	10542008	1
13	Evaporator Support	24212090	24212090	1
14	O-Gasket sub-assy of Bearing	76512051	76512051	1
15	Cross Flow Fan	10352018	10352018	1
16	Evaporator Assy	0100255203	0100255203	1
17	Drainage Hose	0523001406	0523001406	1
18	Wall Mounting Frame	01252015	01252015	1
19	Fan Motor	15012115	15012115	1
20	Ring of Bearing	26152022	26152022	1
21	Motor Press Plate	26112160	26112160	1
22	Pipe Clamp	26112164	26112164	1
23	Rubber Plug (Water Tray)	76712012	76712012	1
24	Step Motor	1521212901	1521212901	1
25	Crank	10582070	10582070	1
26	Foam C (Water tray)	12312163	12312163	1
27	Foam B (Water tray)	12312177	12312177	1
28	Air Louver 2	10512114	10512114	1
29	Terminal Board	42011233	42011233	1
30	Main Board	30138476	30138476	1
31	Capacitor CBB61	33010002	33010002	1
32	Jumper	4202300102	4202300102	1
33	Electric Box Cover2	20122075	20122075	1
34	Transformer	43110283	43110283	1
35	Electric Box	2011208201	2011208201	1
36	Electric Box Cover1	20122103	20122103	1
37	Shield Cover of Electric Box Sub-assy	01592073	01592073	1
38	Electric Box Assy	2020206218	2020206211	1
39	Pipe Connection Nut Accessories	06320020	06320020	1
40	Power Cord	400204643	400204643	1
41	Connecting Cable	400205236	400205236	0
42	Ambient Temperature Sensor	390000451	390000451	1
43	Tube Sensor	390000591G	390000591G	1
44	Remote Controller	305100413	305100413	1

The data above are subject to change without notice.