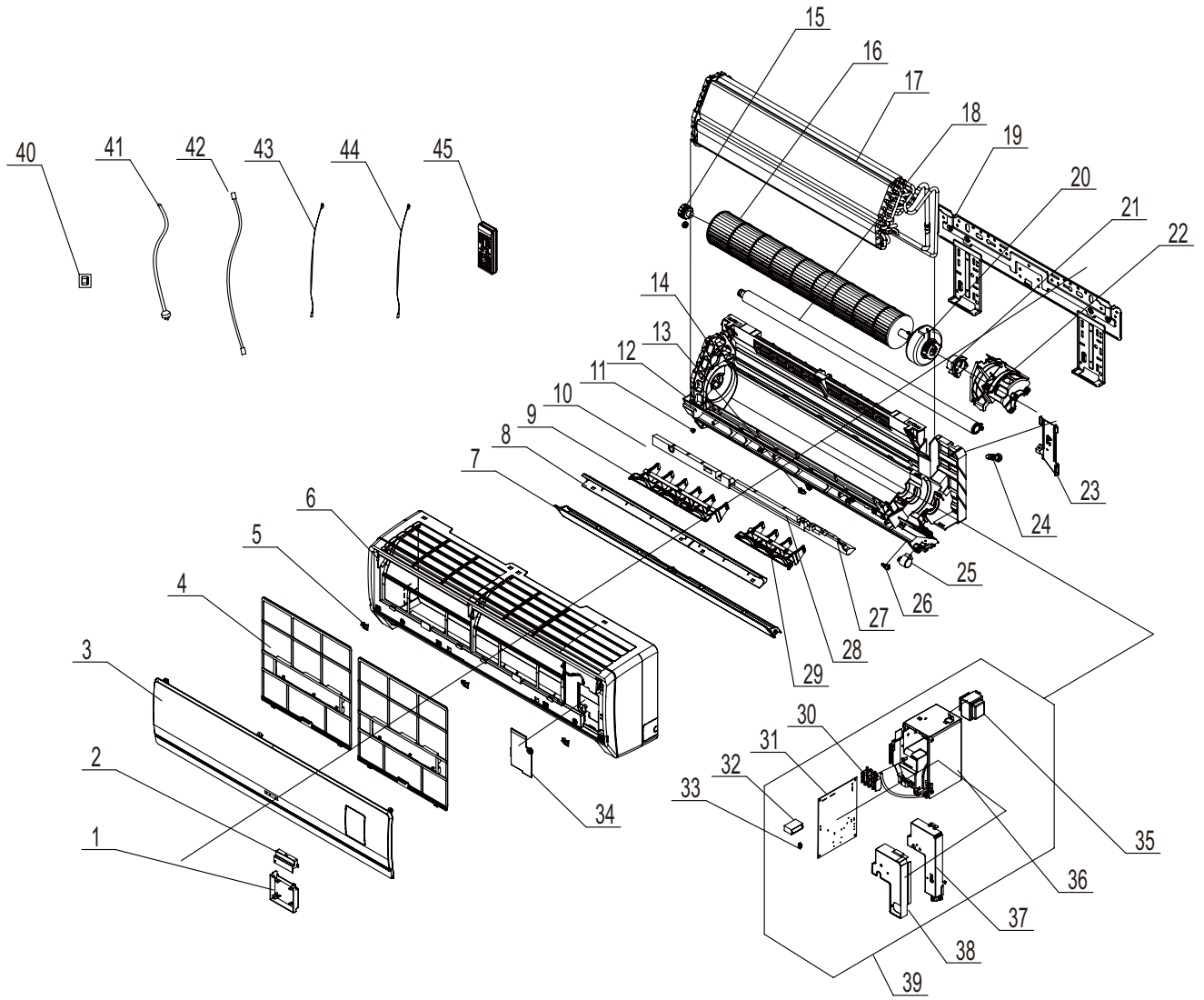


NO.	Description	Part Code		Qty
		GWH09MA-K3DNA2B/I	GWH09MA-K3DNA5B/I	
	Product Code	CB181N03000	CB162N02800	
1	Display Board	30565056	30565073	1
2	Front Panel Sub-Assy	2001216401	20012287	1
3	Filter Sub-Assy	11122081	11122081	2
4	Screw Cover	24252016	24252016	3
5	Front Case	20012120	20012120	1
6	Guide Louver	10512111	10512111	1
7	Helicoid Tongue	26112162	26112162	1
8	Air Louver 1	10512113	10512113	1
9	Foam A (Water tray)	12312161	12312161	1
10	Axile Bush	10542704	10542704	1
11	Rear Case assy	2220210101	2220210101	1
12	Axile Bush	10542008	10542008	1
13	Evaporator Support	24212090	24212090	1
14	O-Gasket sub-assy of Bearing	76512051	76512051	1
15	Cross Flow Fan	10352018	10352018	1
16	Evaporator Assy	0100255203	0100255203	1
17	Drainage Hose	0523001406	0523001406	1
18	Wall Mounting Frame	01252015	01252015	1
19	Fan Motor	15012115	15012115	1
20	Ring of Bearing	26152022	26152022	1
21	Motor Press Plate	26112160	26112160	1
22	Pipe Clamp	26112164	26112164	1
23	Rubber Plug (Water Tray)	76712012	76712012	1
24	Step Motor	1521212901	1521212901	1
25	Crank	10582070	10582070	1
26	Foam C (Water tray)	12312163	12312163	1
27	Foam B (Water tray)	12312177	12312177	1
28	Air Louver 2	10512114	10512114	1
29	Terminal Board	42011233	42011233	1
30	Main Board	30138476	30138476	1
31	Capacitor CBB61	33010002	33010002	1
32	Jumper	4202300102	4202300102	1
33	Electric Box Cover2	20122075	20122075	1
34	Transformer	43110283	43110283	1
35	Electric Box	2011208201	2011208201	1
36	Electric Box Cover1	20122103	20122103	1
37	Shield Cover of Electric Box Sub-assy	01592073	01592073	1
38	Electric Box Assy	2020206218	2020206211	1
39	Pipe Connection Nut Accessories	06320020	06320020	1
40	Power Cord	400204643	400204643	1
41	Connecting Cable	400205236	400205236	0
42	Ambient Temperature Sensor	390000451	390000451	1
43	Tube Sensor	390000591G	390000591G	1
44	Remote Controller	305100413	305100413	1

The data above are subject to change without notice.

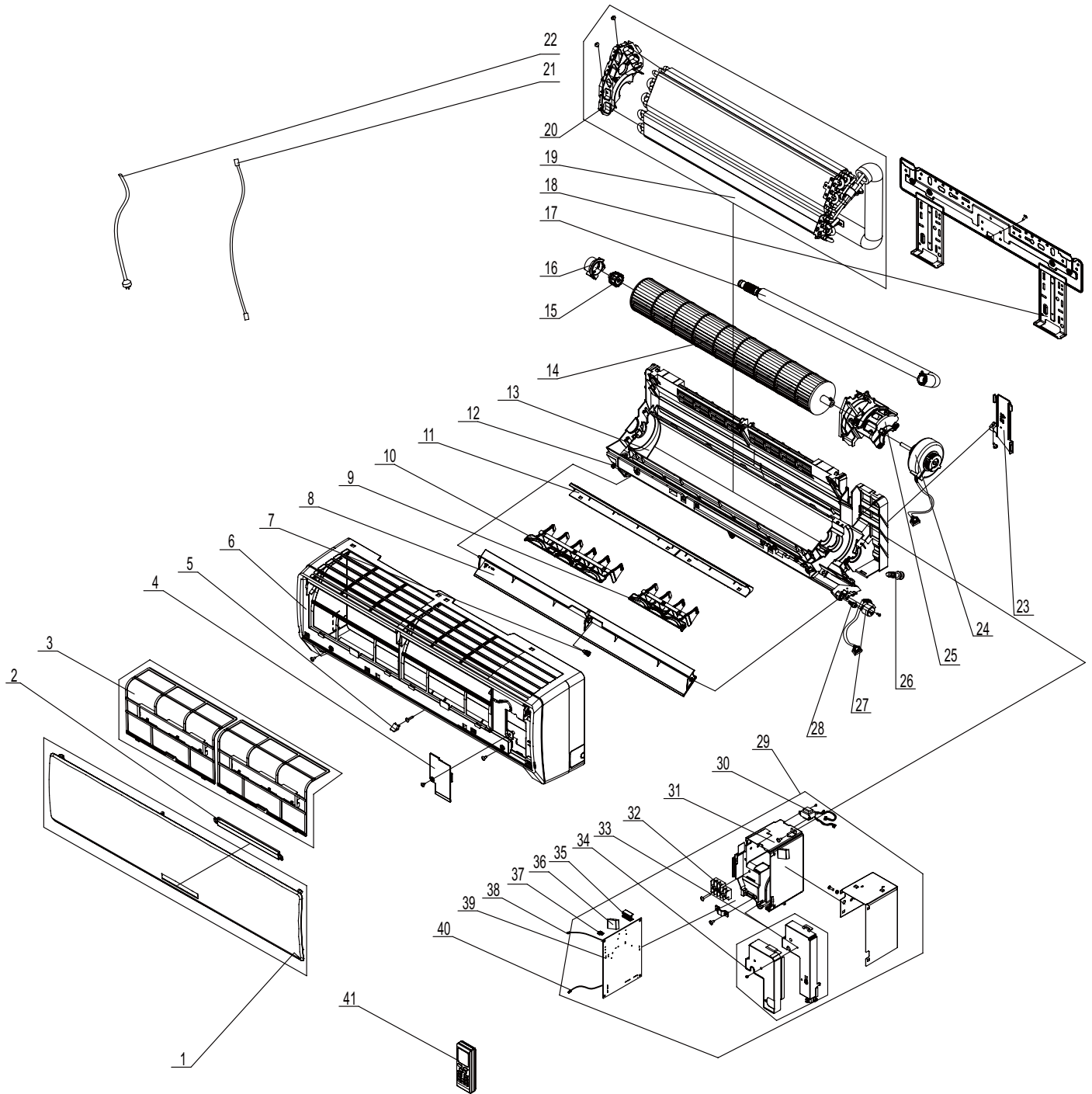
GWH09MA-K3DNB7B/I



NO.	Description	Part Code		Qty
		GWH09MA-K3DNB7B/I		
		CB164N01300		
1	Display Board	30540016	1	
2	Shield Board	26112102	1	
3	Front Panel Assy	20012837	1	
4	Filter Sub Assy	11122081	2	
5	Screw Cover	24252016	3	
6	Front Case	20012179	1	
7	Guide Louver	10512111	1	
8	Helicoid Tongue	26112162	1	
9	Air Louver 1	10512113	1	
10	Foam A (Water tray)	12312161	1	
11	Axile Bush	10542008	1	
12	Rear Case assy	2220210101	1	
13	Axile Bush	10542704	1	
14	Evaporator Support	24212090	1	
15	O-Gasket sub-assy of Bearing	76512051	1	
16	Cross Flow Fan	10352018	1	
17	Evaporator Assy	0100255203	1	
18	Drainage Hose	0523001406	1	
19	Wall Mounting Frame	01252015	1	
20	Fan Motor	15012115	1	
21	Ring of Bearing	26152022	1	
22	Motor Press Plate	26112160	1	
23	Pipe Clamp	26112164	1	
24	Rubber Plug (Water Tray)	76712012	1	
25	Step Motor	1521210801	1	
26	Crank	10582070	1	
27	Foam C (Water tray)	12312163	1	
28	Foam B (Water tray)	12312177	1	
29	Air Louver 2	10512114	1	
30	Terminal Board	42011233	1	
31	Main Board	30138476	1	
32	Capacitor CBB61	33010002	1	
33	Jumper	4202300102	1	
34	Electric Box Cover2	20122075	1	
35	Transformer	43110283	1	
36	Electric Box	2011208201	1	
37	Electric Box Cover1	20122103	1	
38	Shield Cover of Electric Box Sub-assy	01592073	1	
39	Electric Box Assy	2020206210	1	
40	Pipe Connection Nut Accessories	06320020	1	
41	Power Cord	400204643	1	
42	Connecting Cable	400205236	1	
43	Ambient Temperature Sensor	390000451	1	
44	Tube Sensor	390000591G	1	
45	Remote Controller	30510041	1	

The data above are subject to change without notice.

GWC12MB-K3DNA3B/I、GWH12MB-K3DNA3B/I、GWC12MB-K3DNA4B/I、GWC12MB-K3DNB8B/I、GWH12MB-K3DNE4B/I



NO.	Description	Part Code		Qty
		GWC12MB-K3DNA3B/I	GWH12MB-K3DNA3B/I	
	Product Code	CB171N0200	CB171N0210	
1	Front Panel	20012122S	20012122S	1
2	Display Board	30565007	30565007	1
3	Filter Sub-Assy	1112220401	1112220401	2
4	Electric Box Cover2	20122075	20122075	1
5	Screw Cover	24252016	24252016	1
6	Front Case Sub-Assy	20012139	20012139	1
7	Axile Bush	10542008	10542008	1
8	Guide Louver	10512157	10512157	1
9	Air Louver 1	10512156	10512156	1
10	Air Louver 2	10512155	10512155	1
11	Helicoid tongue	26112163	26112163	1
12	Left Axile Bush	10512037	10512037	1
13	Rear Case assy	2220210302	2220210301	1
14	Cross Flow Fan	10352017	10352017	1
15	O-Gasket sub-assy of Bearing	76512051	76512051	1
16	Ring of Bearing	26152022	26152022	1
17	Drainage hose	0523001401	0523001401	1
18	Wall Mounting Frame	01252021	01252021	1
19	Evaporator Assy	01002321	01002321	1
20	Evaporator Support	24212091	24212091	1
21	Connecting Cable	400205236	400205236	1
22	Power Cord	400204643	400204643	1
23	Pipe Clamp	26112164	26112164	1
24	Fan Motor	150120874	150120874	1
25	Motor Press Plate	26112161	26112161	1
26	Rubber Plug (Water Tray)	76712012	76712012	1
27	Step Motor	1521210801	1521210801	1
28	Crank	10582070	10582070	1
29	Electric Box Assy	2020212848	2020212810	1
30	Transformer	43110283	43110283	1
31	Electric Box	2011208201	20112082	1
32	Terminal Board	42011233	42011233	1
33	Shield cover of Electric Box sub-assy	01592073	01592073	1
34	Electric Box Cover1	20122103	20122103	1
35	Radiator	49010252	49010252	1
36	Capacitor CBB61	33010002	33010002	1
37	Jumper	4202300104	4202300104	1
38	Ambient Temperature Sensor	390000451	390000451	1
39	Main Board	30138475	30138476	1
40	Tube Sensor	390000591	390000591	1
41	Remote Controller	30510041	30510041	1

The data above are subject to change without notice.

**Exploded Views and Parts List**

NO.	Description	Part Code		Qty
		GWC12MB-K3DNA4B/I	GWC12MB-K3DNB8B/I	
		Product Code	Product Code	
1	Front Panel	20012153S	2001220407	1
2	Display Board	30565012	30565007	1
3	Filter Sub-Assy	1112220401	1112220401	2
4	Electric Box Cover2	20122075	2010249602	1
5	Screw Cover	24252016	242520175P	1
6	Front Case Sub-Assy	20012139	2001213909	1
7	Axile Bush	10542008	10542008	1
8	Guide Louver	10512157	1051215702P	1
9	Air Louver 1	10512156	1051215601	1
10	Air Louver 2	10512155	1051215501	1
11	Helicoid tongue	26112163	2611216301	1
12	Left Axile Bush	10512037	10512037	1
13	Rear Case assy	2220210302	2220210311	1
14	Cross Flow Fan	10352017	10352017	1
15	O-Gasket sub-assy of Bearing	76512051	76512051	1
16	Ring of Bearing	26152022	26152022	1
17	Drainage hose	0523001401	0523001401	1
18	Wall Mounting Frame	01252021	01252021	1
19	Evaporator Assy	01002321	01002321	1
20	Evaporator Support	24212091	24212091	1
21	Connecting Cable	400205236	400205236	1
22	Power Cord	400204643	400204643	1
23	Pipe Clamp	26112164	26112164	1
24	Fan Motor	150120874	150120874	1
25	Motor Press Plate	26112161	26112161	1
26	Rubber Plug (Water Tray)	76712012	76712012	1
27	Step Motor	1521210801	1521210801	1
28	Crank	10582070	10582070	1
29	Electric Box Assy	2020261202	2020212848	1
30	Transformer	43110283	43110283	1
31	Electric Box	2011208201	2011208201	1
32	Terminal Board	42011233	42011233	1
33	Shield cover of Electric Box sub-assy	01592073	01592073	1
34	Electric Box Cover1	20122103	20122103	1
35	Radiator	49010252	49010252	1
36	Capacitor CBB61	33010002	33010002	1
37	Jumper	4202300104	4202300104	1
38	Ambient Temperature Sensor	390000451	390000451	1
39	Main Board	30138475	30138475	1
40	Tube Sensor	390000591	390000591	1
41	Remote Controller	30510041	30510041	1

The data above are subject to change without notice.