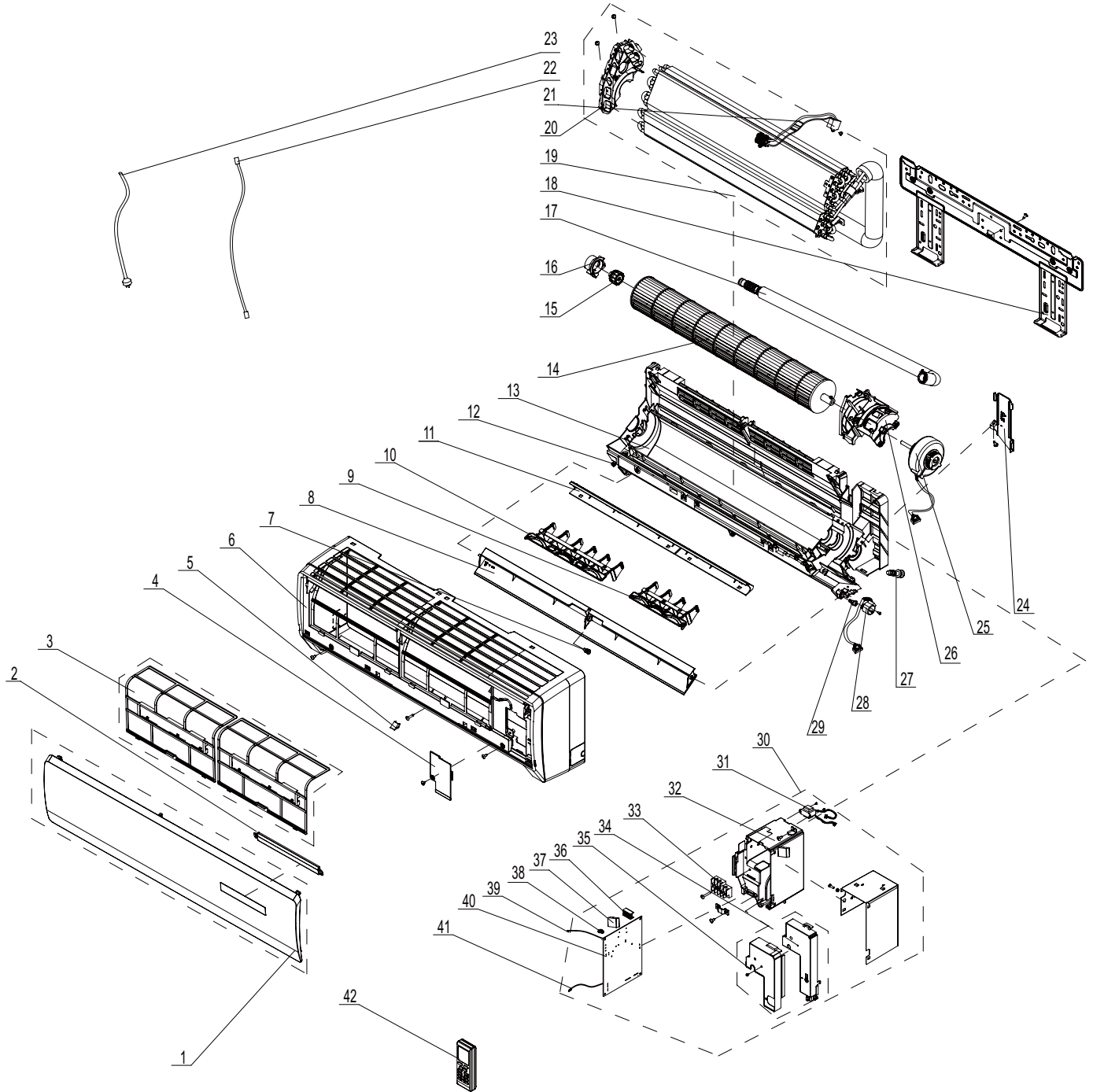


NO.	Description	Part Code		Qty
		GWH12MB-K3DNE4B/I		
		CB403N00300		
1	Front Panel Assy	20012981	1	
2	Display Board	30565155	1	
3	Filter Sub-Assy	1112220403	2	
4	Electric Box Cover2	20122075	1	
5	Screw Cover	24252016	1	
6	Front Case Sub-assy	2001213901	1	
7	Axile Bush	10542008	1	
8	Guide Louver	10512157	1	
9	Air Louver 1	10512156	1	
10	Air Louver 2	10512155	1	
11	Helicoid Tongue	26112163	1	
12	Left Axile Bush	10512037	1	
13	Rear Case assy	2220210301	1	
14	Cross Flow Fan	10352017	1	
15	O-Gasket sub-assy of Bearing	76512051	1	
16	Ring of Bearing	26152022	1	
17	Drainage Hose	0523001401	1	
18	Wall Mounting Frame	01252021	1	
19	Evaporator Assy	01002321	1	
20	Evaporator Support	24212091	1	
21	Connecting Cable	400205236	0	
22	Power Cord	400204643	1	
23	Pipe Clamp	26112164	1	
24	Fan Motor	150120874	1	
25	Motor Press Plate	26112161	1	
26	Rubber Plug (Water Tray)	76712012	1	
27	Step Motor	1521210801	1	
28	Crank	10582070	1	
29	Electric Box Assy	2020206221	1	
30	Transformer	43110283	1	
31	Electric Box	20112082	1	
32	Terminal Board	42011233	1	
33	Shield Cover of Electric Box Sub-assy	01592073	1	
34	Electric Box Cover1	20122103	1	
35	Radiator	49010252	1	
36	Capacitor CBB61	33010002	1	
37	Jumper	4202300104	1	
38	Ambient Temperature Sensor	390000451	1	
39	Main Board	30138476	1	
40	Tube Sensor	390000591G	1	
41	Remote Controller	305100413	1	

The data above are subject to change without notice.

**Exploded Views and Parts List**

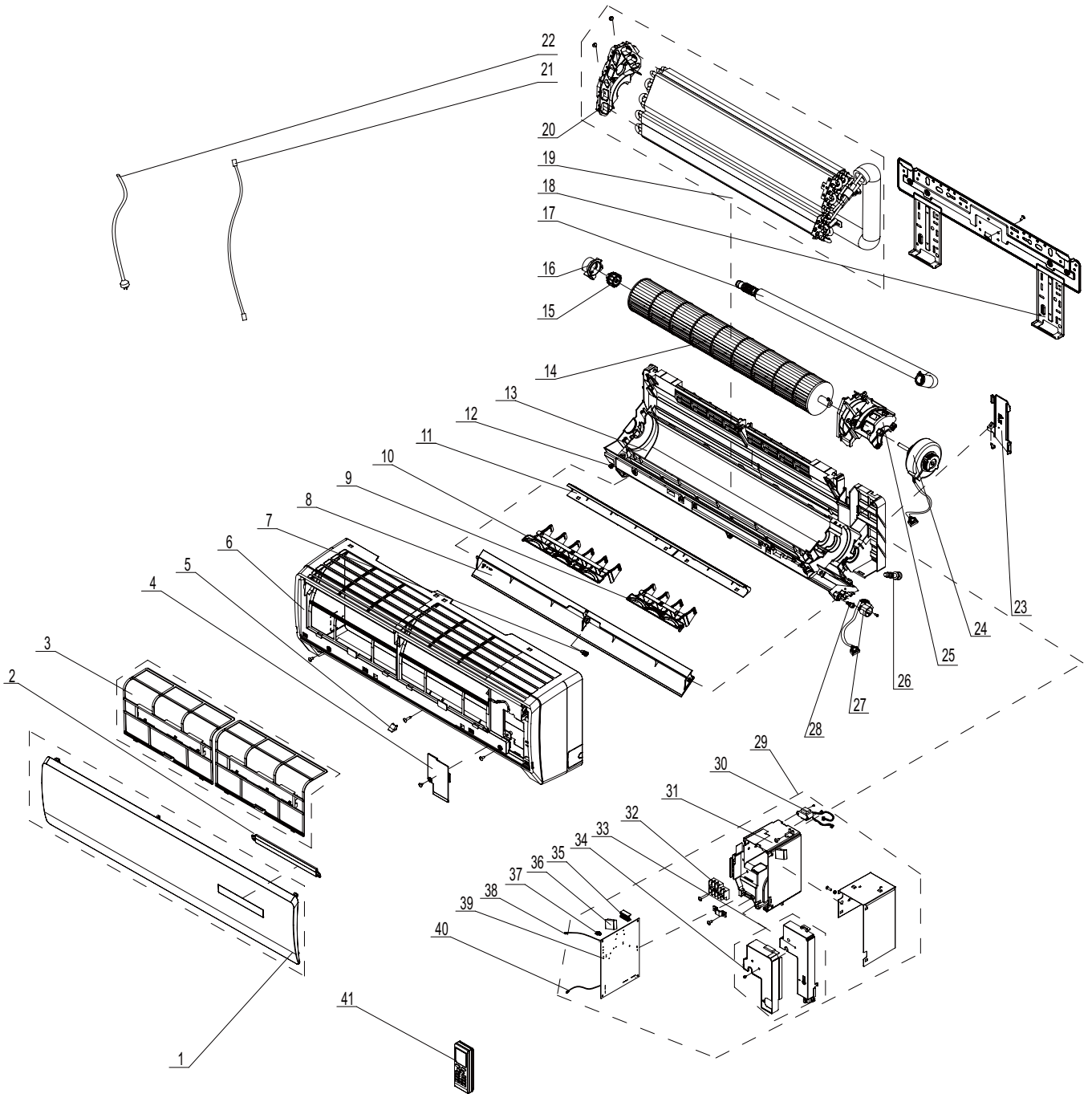
GWC12MB-K3DNC3B/I(Cold Plasma)、GWH12MB-K3DNC3B/I(Cold Plasma)



NO.	Description	Part Code		Qty
		GWH12MB-K3DNC3B/I (Cold Plasma)	GWC12MB-K3DNC3B/I (Cold Plasma)	
		Product Code	Product Code	
		CB136N00101	CB136N00300	
1	Front panel	20012343S	20012343S	1
2	Display Board	30565062	30565062	1
3	Filter Sub-Assy	1112220401	1112220401	2
4	Electric Box Cover2	20122075	20122075	1
5	Screw Cover	24252016	24252016	1
6	Front Case Sub-Assy	2001213901	2001213901	1
7	Axile Bush	10542008	10542008	1
8	Guide Louver	10512157	10512157	1
9	Air Louver 1	10512156	10512156	1
10	Air Louver 2	10512155	10512155	1
11	Helicoid tongue	26112163	26112163	1
12	Left Axile Bush	10512037	10512037	1
13	Rear Case assy	2220210302	2220210302	1
14	Cross Flow Fan	10352017	10352017	1
15	O-Gasket sub-assy of Bearing	76512051	76512051	1
16	Ring of Bearing	26152022	26152022	1
17	Drainage hose	0523001401	0523001401	1
18	Wall Mounting Frame	01252021	01252021	1
19	Evaporator Assy	01002321	01002321	1
20	Evaporator Support	24212091	24212091	1
21	Cold Plasma Generator Sub-assy	11140009	11140009	1
22	Connecting Cable	400205236	400205236	1
23	Power Cord	400204643	400204643	1
24	Pipe Clamp	26112164	26112164	1
25	Fan Motor	150120874	150120874	1
26	Motor Press Plate	26112161	26112161	1
27	Rubber Plug (Water Tray)	76712012	76712012	1
28	Step Motor	1521210801	1521210801	1
29	Crank	10582070	10582070	1
30	Electric Box Assy	2020261201	2020261203	1
31	Transformer	42011233	42011233	1
32	Electric Box	20112082	20112082	1
33	Terminal Board	30138476	30138476	1
34	Shield cover of Electric Box sub-assy	01592073	01592073	1
35	Electric Box Cover1	20122103	20122103	1
36	Radiator	49010252	49010252	1
37	Capacitor CBB61	33010002	33010002	1
38	Jumper	4202300104	4202300104	1
39	Ambient Temperature Sensor	390000451	390000451	1
40	Main Board	30138662	30138785	1
41	Tube Sensor	390000591	390000591	1
42	Remote Controller	30510041	30510041	1

The data above are subject to change without notice.

GWH12MB-K3DNC3B/I



NO.	Description	Part Code		Qty
		GWH12MB-K3DNC3B/I		
Product Code		CB136N0010		
1	Front panel	20012343S		1
2	Display Board	30565062		1
3	Filter Sub-Assy	1112220401		2
4	Electric Box Cover2	20122075		1
5	Screw Cover	24252016		1
6	Front Case Sub-Assy	2001213901		1
7	Axile Bush	10542008		1
8	Guide Louver	10512157		1
9	Air Louver 1	10512156		1
10	Air Louver 2	10512155		1
11	Helicoid tongue	26112163		1
12	Left Axile Bush	10512037		1
13	Rear Case assy	2220210302		1
14	Cross Flow Fan	10352017		1
15	O-Gasket sub-assy of Bearing	76512051		1
16	Ring of Bearing	26152022		1
17	Drainage hose	0523001401		1
18	Wall Mounting Frame	01252021		1
19	Evaporator Assy	01002321		1
20	Evaporator Support	24212091		1
21	Connecting Cable	400205236		1
22	Power Cord	400204643		1
23	Pipe Clamp	26112164		1
24	Fan Motor	150120874		1
25	Motor Press Plate	26112161		1
26	Rubber Plug (Water Tray)	76712012		1
27	Step Motor	1521210801		1
28	Crank	10582070		1
29	Electric Box Assy	2020212891		1
30	Transformer	42011233		1
31	Electric Box	20112082		1
32	Terminal Board	30138476		1
33	Shield cover of Electric Box sub-assy	01592073		1
34	Electric Box Cover1	20122103		1
35	Radiator	49010252		1
36	Capacitor CBB61	33010002		1
37	Jumper	4202300104		1
38	Ambient Temperature Sensor	390000451		1
39	Main Board	30138476		1
40	Tube Sensor	390000591		1
41	Remote Controller	30510041		1

The data above are subject to change without notice.