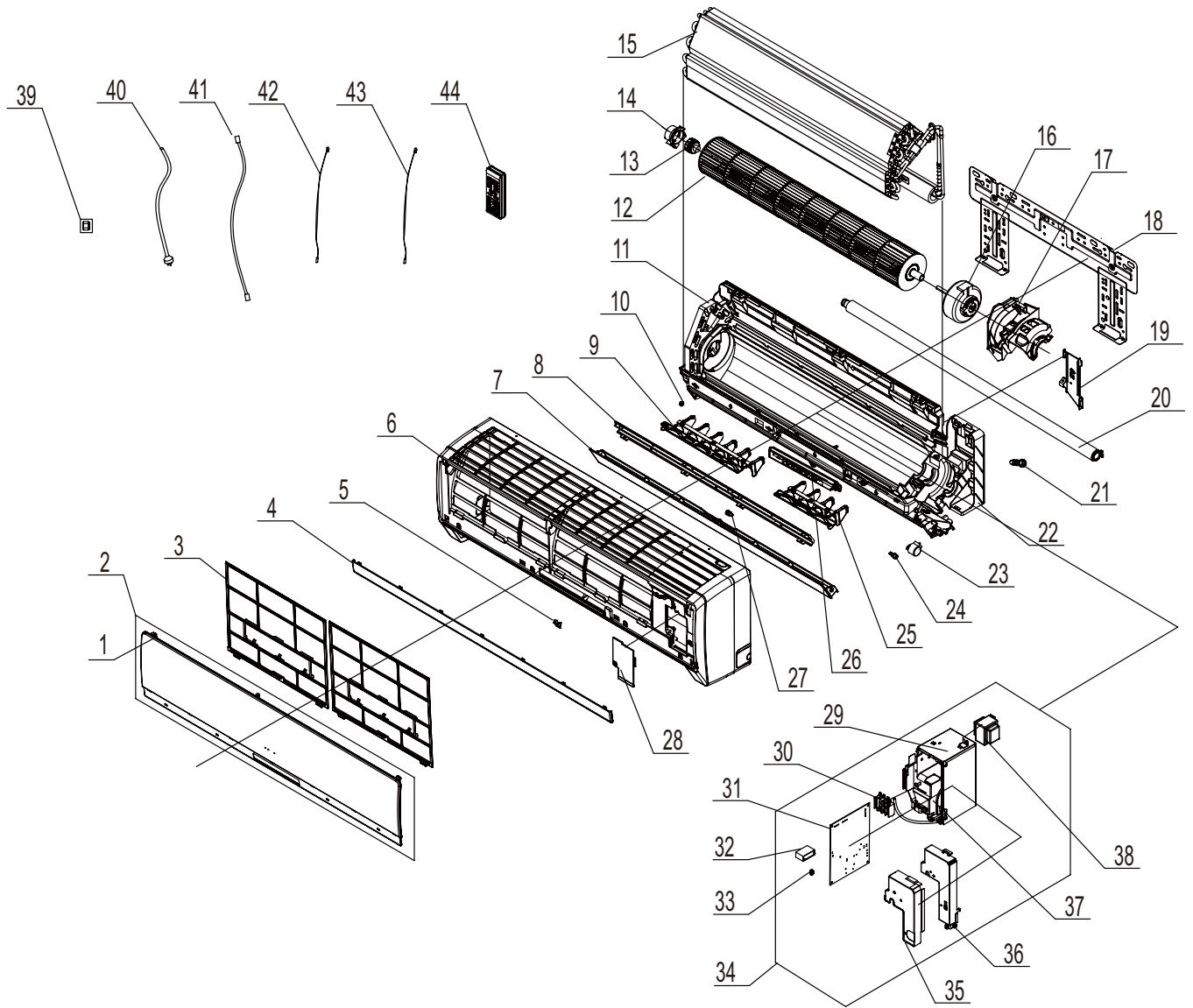


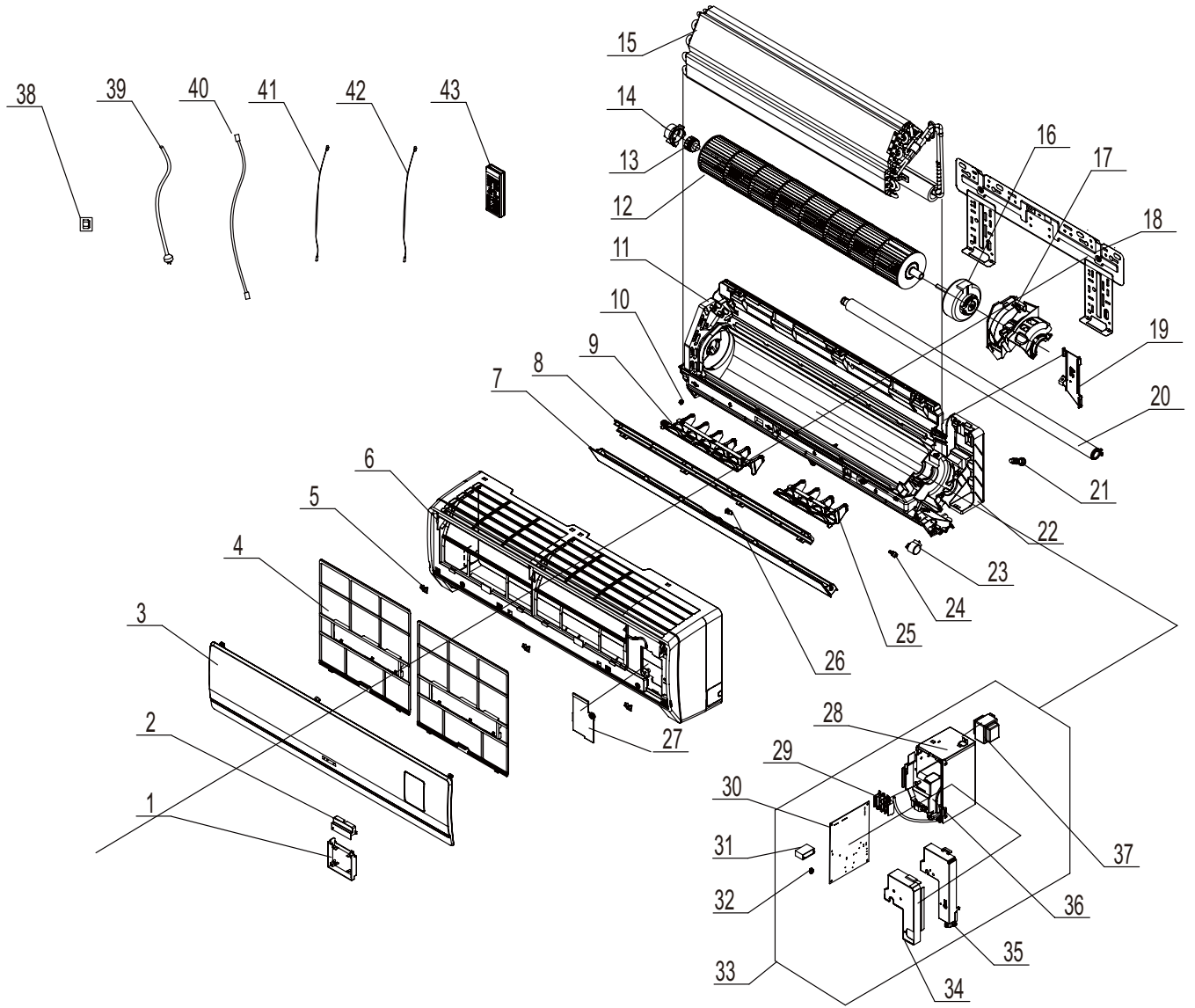
GWH12MB-K3DNA2B/I, GWH12MB-K3DNA5B/I



NO.	Description	Part Code		Qty
		GWH12MB-K3DNA2B/I	GWH12MB-K3DNA5B/I	
		Product Code	Product Code	
1	Front Panel	20012150S	20012199	1
2	Front Panel Sub-Assy	20012549	20012549	1
3	Filter Sub-Assy	1112220403	1112220403	2
4	Decorative Board	20192265	20192247	1
5	Screw Cover	24252016	24252016	1
6	Front Case Sub-assy	20012139	20012139	1
7	Guide Louver	10512157	10512157	1
8	Helicoid Tongue	26112163	26112163	1
9	Air Louver 1	10512156	10512156	1
10	Left Axile Bush	10512037	10512037	1
11	Evaporator Support	24212091	24212091	1
12	Cross Flow Fan	10352017	10352017	1
13	O-Gasket sub-assy of Bearing	76512051	76512051	1
14	Ring of Bearing	26152022	26152022	1
15	Evaporator Assy	01002321	01002321	1
16	Fan Motor	150120874	150120874	1
17	Motor Press Plate	26112161	26112161	1
18	Wall Mounting Frame	01252021	01252021	1
19	Pipe Clamp	26112164	26112164	1
20	Drainage Hose	0523001401	0523001401	1
21	Rubber Plug (Water Tray)	76712012	76712012	1
22	Rear Case assy	2220210301	2220210301	1
23	Step Motor	1521212901	1521212901	1
24	Crank	10582070	10582070	1
25	Air Louver 2	10512155	10512155	1
26	Display Board	30565056	30565073	1
27	Axile Bush	10542008	10542008	1
28	Electric Box Cover2	20122075	20122075	1
29	Shield Cover of Electric Box Sub-assy	01592073	01592073	1
30	Terminal Board	42011233	42011233	1
31	Main Board	30138476	30138476	1
32	Capacitor CBB61	33010002	33010002	1
33	Jumper	4202300104	4202300104	1
34	Electric Box Assy	2020261212	2020206212	1
35	Lower Shield Sub-assy of Electric Box	01592072	01592072	1
36	Electric Box Cover1	20122103	20122103	1
37	Electric Box	20112082	20112082	1
38	Transformer	43110283	43110283	1
39	Pipe Connection Nut Accessories	06320020	06320020	1
40	Power Cord	400204643	400204643	1
41	Connecting Cable	400205236	400205236	0
42	Ambient Temperature Sensor	390000451	390000451	1
43	Tube Sensor	390000591G	390000591G	1
44	Remote Controller	305100413	305100413	1

The data above are subject to change without notice.

GWH12MB-K3DNB7B/I



NO.	Description	Part Code		Qty
		GWH12MB-K3DNB7B/I		
		CB164N01400		
1	Display Board	30540016		1
2	Shield Board	26112102		1
3	Front Panel Sub-assy	10512157		1
4	Filter Sub-Assy	1112220403		2
5	Screw Cover	24252016		1
6	Front Case Sub-assy	2001213901		1
7	Guide Louver	10512157		1
8	Helicoid Tongue	26112163		1
9	Air Louver 1	10512156		1
10	Left Axile Bush	10512037		1
11	Evaporator Support	24212091		1
12	Cross Flow Fan	10352017		1
13	O-Gasket sub-assy of Bearing	76512051		1
14	Ring of Bearing	26152022		1
15	Evaporator Assy	01002321		1
16	Fan Motor	150120874		1
17	Motor Press Plate	26112161		1
18	Wall Mounting Frame	01252021		1
19	Pipe Clamp	26112164		1
20	Drainage Hose	0523001401		1
21	Rubber Plug (Water Tray)	76712012		1
22	Rear Case assy	2220210301		1
23	Step Motor	1521210801		1
24	Crank	10582070		1
25	Air Louver 2	10512155		1
26	Axile Bush	10542008		1
27	Electric Box Cover2	20122075		1
28	Lower Shield Sub-assy of Electric Box	01592072		1
29	Terminal Board	42011233		1
30	Main Board	30138476		1
31	Capacitor CBB61	33010002		1
32	Jumper	4202300104		1
33	Electric Box Assy	2020261207		1
34	Shield Cover of Electric Box Sub-assy	01592073		1
35	Electric Box Cover1	20122103		1
36	Electric Box	20112082		1
37	Transformer	43110283		1
38	Pipe Connection Nut Accessories	06320020		1
39	Power Cord	400204643		1
40	Connecting Cable	400205236		1
41	Ambient Temperature Sensor	390000451		1
42	Tube Sensor	390000591G		1
43	Remote Controller	305100413		1

The data above are subject to change without notice.

8.2 Outdoor Unit

GWC09MA-K3DNA3B/O

