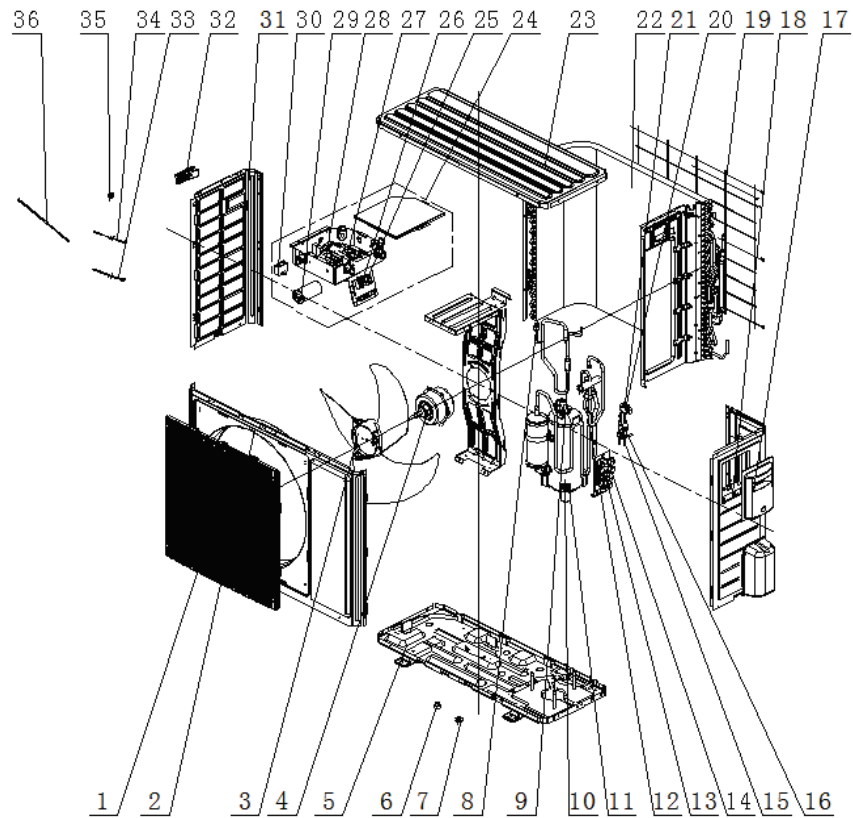


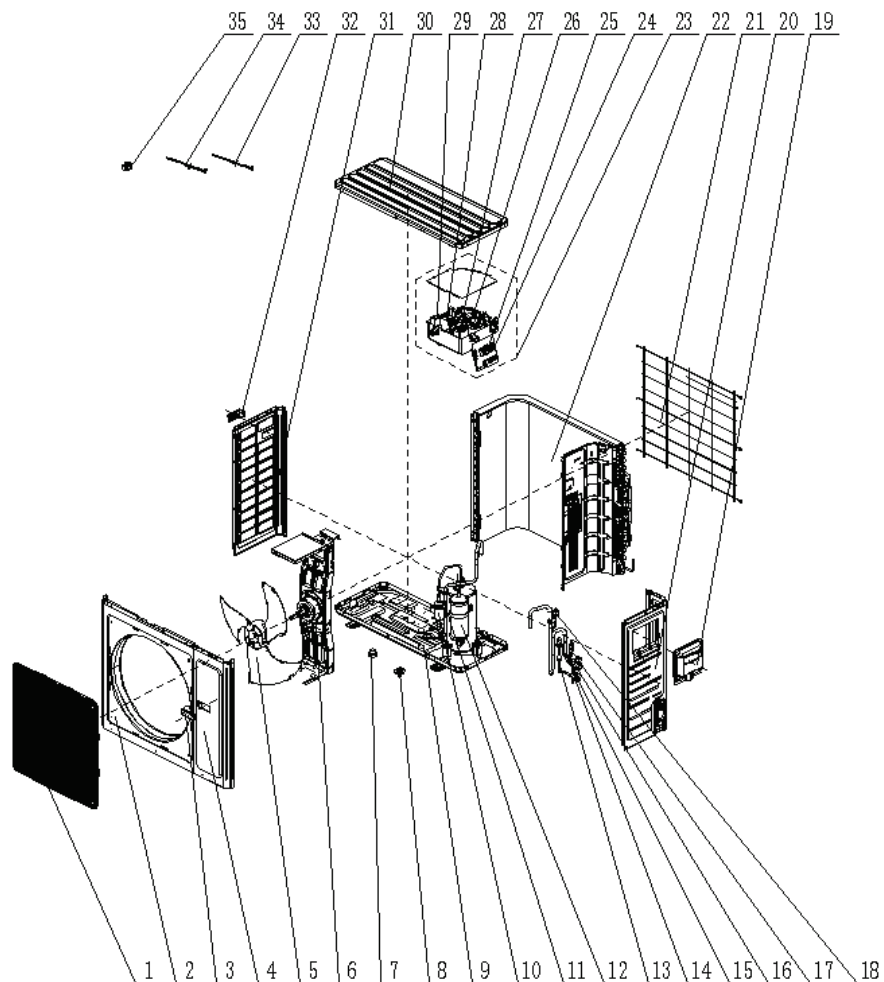
Model: GU85W/A1-K**Product Code:** CF021W2650

No.	Material Name	Finished Product Code	Quantity
1	Front Grill	22415010	1
2	Front Panel	01535013	1
3	Axial Flow Fan	10335008	1
4	Fan Motor	1501506311	1
5	Chassis Sub-Assy	017000000171	1
6	Drainage Hole Cap	06813401	3
7	Drainage Joint	06123401	1
8	Pressure Protect Switch	4602000603	1
9	Silencer	0724300102	1
10	Compressor And Fittings	009001060051	1
11	Compressor Gasket	00901200008	1
12	4-Way Valve	4300008201	1
13	Cut Off Valve	07133157	1
14	Cut Off Valve	071302391	1
15	Furcate Filter	07213043	1
16	Strainer	0721304401	1
17	Handle	2623525404	1
18	Right Side Plate	0130509402	1
19	Rear Grill	01473043	1
20	Electric Expand Valve Fitting	4300034401	1
21	Electronic Expansion Valve	43005016	1

No.	Material Name	Finished Product Code	Quantity
22	Condenser Assy	011002060622	1
23	Coping	012049000007	1
24	Electric Box Assy	100002064700	1
25	Terminal Board	42000100000101	1
26	Terminal Board	422000000007	1
27	Main Board	300027060279	1
28	AC Contactor	44010245	1
29	Capacitor	3301074706	1
30	Capacitor	3300008107	1
31	Left Side Plate	01305093	1
32	Handle	26233053	1
33	Temperature Sensor	3900800004902G	1
34	Temperature Sensor	3900007207	1
35	Magnet Coil	4300040045	1
36	Electrical Heater	7651521241	1

Model:GU100W/A1-M

Product Code: CF021W2640



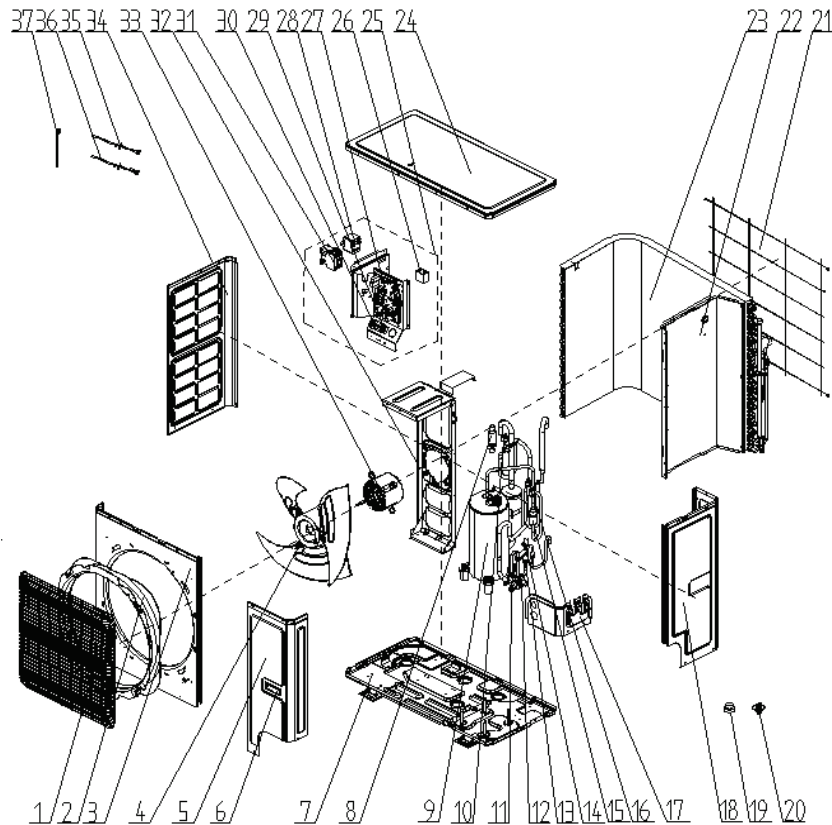
No.	Material Name	Finished Product Code	Quantity
1	Rear Grill	01475013	1
2	Cabinet	01435004	1
3	Handle	26233053	1
4	Front Side Plate	01305086	1
5	Axial Flow Fan	10335014	1
6	Drainage Hole Cap	06813401	3
7	Drainage Joint	06123401	3
8	Chassis Sub-Assy	017000000274	1
9	Fan Motor	15010100000112	1
10	Compressor and Fittings	009001060152	1
11	Compressor Gasket	00901200008	1
12	Cut Off Valve	071302391	1
13	Cut Off Valve	07133157	1
14	Right Side Plate	0130504401	1
15	Big Handle	26235001	1
16	Magnet Coil	4300040045	1
17	Electric Expand Valve Fitting	4300034419	1
18	Temperature Sensor	3900007205	1
19	Temperature Sensor	3900028020G	1
20	Front Grill	22415011	1
21	Condenser Assy	0112520030701	1
22	Strainer	0721304401	1
23	Strainer	07225088	1
24	Strainer	0721212101	1
25	Electronic Expansion Valve	072009000018	1
26	Pressure Protect Switch	4602000603	1
27	4-way Valve	4300008201	1
28	Coping	01255020	1
29	Pressure Protect Switch	46020007	1
30	Silencer	0724300102	1
31	Electric Box Assy	100002064929	1
32	Terminal Board	422000000007	1
33	Terminal Board	42018000593	1
34	Main Board	300027060277	1
35	AC Contactor	44010287	1
36	Phase Reverse Protector	430055000001	1

No.	Material Name	Finished Product Code	Quantity
37	Capacitor	3301074708	1
38	Left Side Plate	01305043	1
39	Left Handle	26235401	1

Note:

The Finished Product Code may be changed due to the product improvement, please check the newest information with the sales rep.

Model:GU125W/A1-M **Product Code:** CF021W2660



No.	Material Name	Finished Product Code	Quantity
1	Front Grill	01572800003	1
2	Diversion Circle	10474100003	1
3	Cabinet	012022000003	1
4	Axial Flow Fan	1043410000801	1
5	Front Side Plate	012050000007	1
6	Handle	26904100016	2
7	Base Plate Sub-Assay	01700006013501	1
8	Compressor and Fittings	009001060110	1
9	Strainer	07413900026	1
10	Cut off Valve	07103030	1
11	Cut off Valve	07130209	1
12	Pressure Protect Switch	46020007	1
13	Pressure Protect Switch	4602000603	1

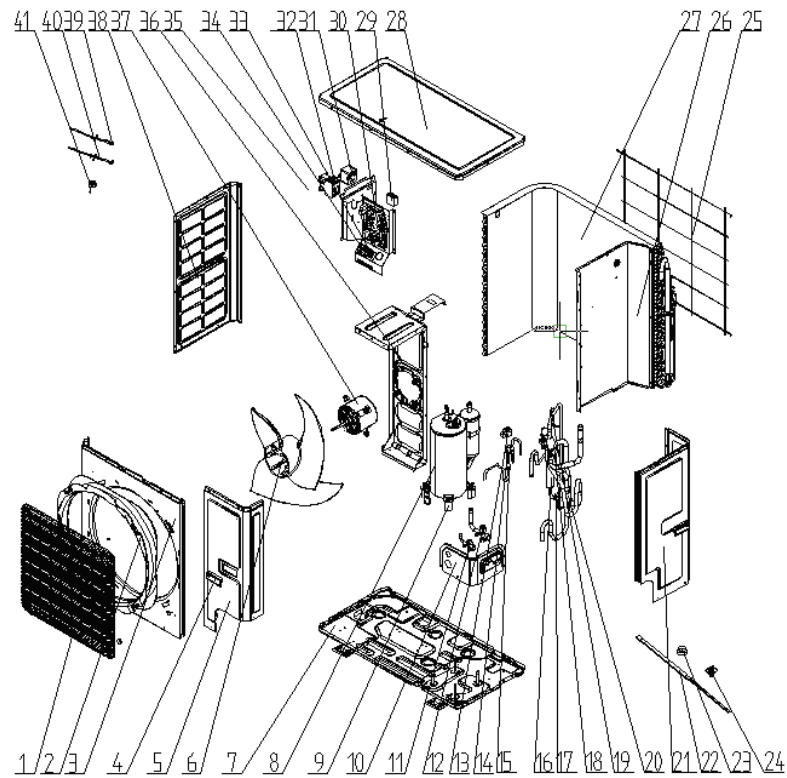
No.	Material Name	Finished Product Code	Quantity
14	Strainer	0721304401	2
15	Electronic Expansion Valve	43005017	1
16	Strainer	0721304401	1
17	Valve Support Sub-Assay	017104000021	1
18	Rear Side Plate	012076000021	1
19	Drainage Hole Cap	76715005	3
20	Drainage Joint	26113009	1
21	Rear Grill	01574100014	1
22	Clapboard Sub-Assay	017021000138	1
23	Condenser Assay	011002060347	1
24	Coping	01264100052	1
25	Electric Box Assay	100002062936	1
26	Capacitor	3301074719	1
27	Main Board	300027060278	1
28	Phase Reverse Protector	430055000001	1
29	Terminal Board	422000000007	1
30	Terminal Board	42018000593	1
31	AC Contactor	441007000001	1
32	Motor Support	012048000023	1
33	Fan Motor	15010106006101	1
34	Left Side Plate	012055000007	1
35	Temperature Sensor	39008000049G	1
36	Temperature Sensor	3900007201	1
37	Electric Expand Valve Fitting	43000344	1

Note:

The Finished Product Code may be changed due to the product improvement, please check the newest information with the sales rep.

Model:GU140W/A1-M

Product Code: CF021W2520



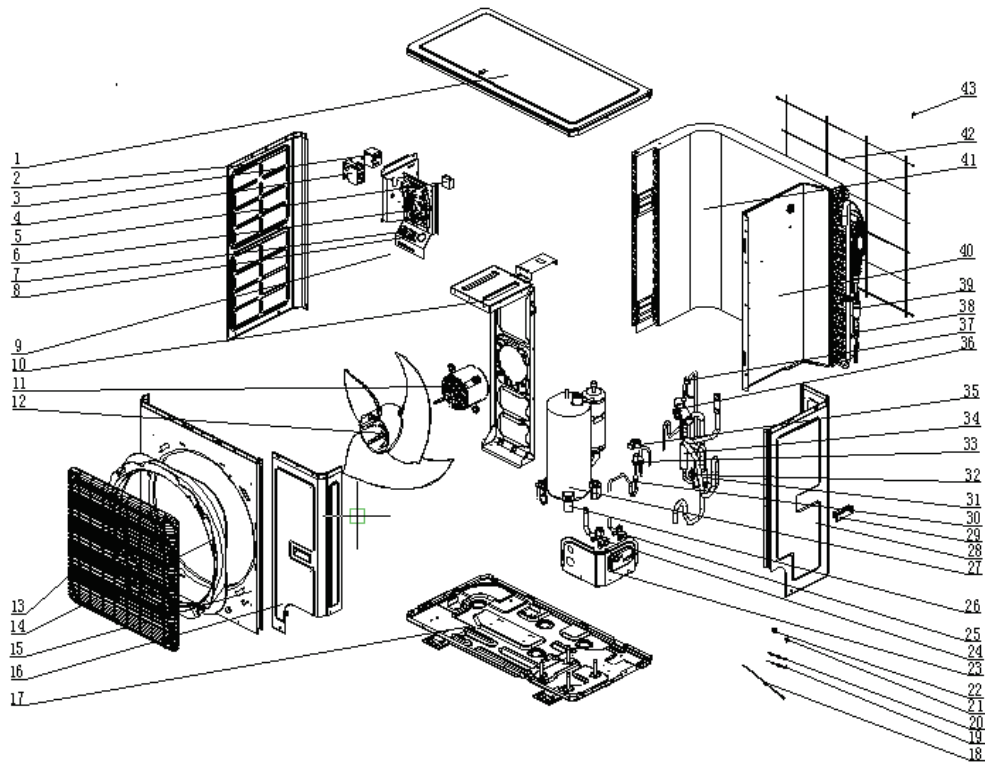
No.	Material Name	Finished Product Code	Quantity
1	Front Grill	01572800003	1
2	Diversion Circle	10474100003	1
3	Cabinet	012022000003	1
4	Handle	26904100016	2
5	Front Side Plate	012050000007	1
6	Axial Flow Fan	1043410000801	1
7	Base Plate Sub-Assy	01700006013501	1
8	Compressor and Fittings	009001060110	1
9	Compressor Gasket	009012000001	1
10	Valve Support Sub-Assy	017104000021	1
11	Cut off Valve	07103030	1
12	Cut off Valve	07130209	1
13	Electric Expand Valve Fitting	43000344	1
14	Electronic Expansion Valve	43005017	1
15	Strainer	07413900026	1
16	Silencer 1	07243050	1
17	Pressure Protect Switch	46020007	1
18	4-way Valve	072007000001	1
19	Pressure Protect Switch	4602000603	1
20	Strainer	0721304401	1
21	Rear Side Plate	012076000021	1

No.	Material Name	Finished Product Code	Quantity
22	Electrical Heater(Compressor)	7651540735	1
23	Drainage Hole Cap	76715005	3
24	Drainage Joint	26113009	1
25	Rear Grill	01574100014	1
26	Clapboard Sub-Assy	017021000138	1
27	Condenser Assy	011002060190	1
28	Coping	01264100052	1
29	Capacitor	3301074719	1
30	Main Board	300027060277	1
31	Phase Reverse Protector	430055000001	1
32	AC Contactor	441007000001	1
33	Terminal Board	42018000593	1
34	Terminal Board	422000000007	1
35	Electric Box Assy	100002063567	1
36	Motor Support Sub-Assy	01701200006201	1
37	Fan Motor	15010106006101	1
38	Left Side Plate	012055000007	1
39	Temperature Sensor	3900007201	1
40	Temperature Sensor	3900030904	1
41	Magnet Coil	4300040045	1

Note:

The Finished Product Code may be changed due to the product improvement, please check the newest information with the sales rep.

Model:GU160W/A1-M Product Code:CF021W2560



No.	Material Name	Finished Product Code	Quantity
1	Coping	01264100052	1
2	Left Side Plate	012055000007	1
3	Phase Reverse Protector	430055000001	1
4	AC Contactor	441007000001	1
5	Capacitor	3301074719	1
6	Main Board	300027060277	1
7	Terminal Board	42018000593	1
8	Terminal Board	422000000007	1
9	Electric Box Assy	100002063567	1
10	Motor Support Sub-Assy	017012000062	1
11	Fan Motor	15010106006101	1
12	Axial Flow Fan	1043410000801	1
13	Front Grill	01572800003	1
14	Diversion Circle	10474100003	1
15	Cabinet	012022000003	1
16	Front Side Plate	012050000007	1
17	Base Plate Sub-Assy	01700006013502	1
18	Electrical Heater(Compressor)	7651540735	1
19	Temperature Sensor	3900030904	1
20	Temperature Sensor	3900030904	1
21	Drainage Joint	26113009	1

No.	Material Name	Finished Product Code	Quantity
22	Drainage Hole Cap	76715005	3
23	Valve Support Sub-Assy	01710400021	1
24	Cut off Valve	07103030	1
25	Cut off Valve	07130209	1
26	Compressor Gasket	00901200001	1
27	Compressor and Fittings	009001000235	1
28	Rear Side Plate	01207600021	1
29	Handle	26904100016	2
30	Strainer	0721212101	1
31	Strainer	0721212101	1
32	Pressure Protect Switch	46020007	1
33	Electronic Expansion Valve	43005017	1
34	Silencer 1	07243050	1
35	Electric Expand Valve Fitting	43000344	1
36	4-way Valve	072007000001	1
37	Pressure Protect Switch	46020007	1
38	Strainer	0721212101	1
39	Silencer	07245012	1
40	Clapboard Sub-Assy	017021000138	1
41	Condenser Assy	01100200031501	1
42	Rear Grill	01574100014	1
43	Magnet Coil	4300040045	1

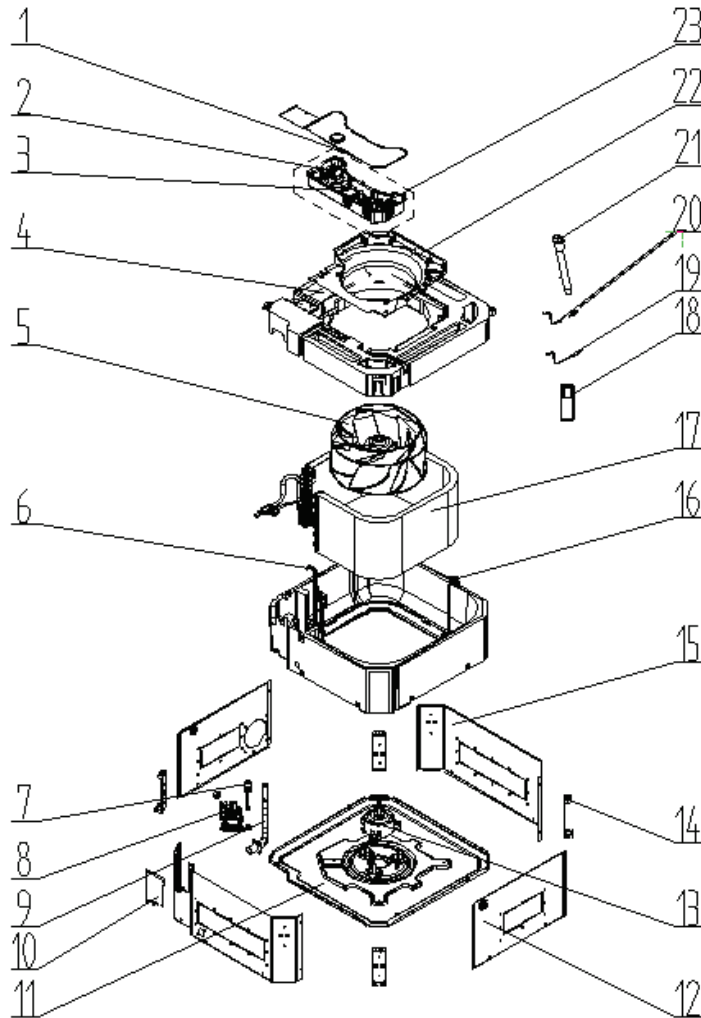
Note:

The Finished Product Code may be changed due to the product improvement, please check the newest information with the sales rep.

4.5.2 IDU Explosive View and Lists of Parts

Model:GUD50T/A1-K

Product Code: ET010N1750



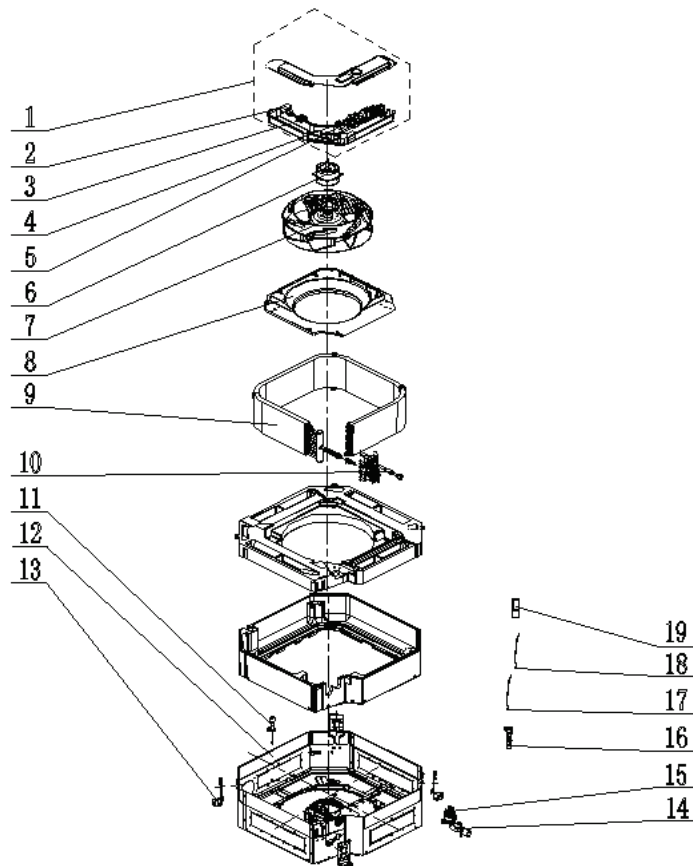
No.	Material Name	Finished Product Code	Quantity
1	Electric Box Assy	100002003276	1
2	Terminal Board	42011106	1
3	Main Board	300002060465	1
4	Water Tray Assy	000069060065	1
5	Centifugal Fan	103003060008	1
6	Connection Sheet Sub-Assy	017025060047	1
7	Water Level Switch	430024000005	1
8	Water Pump	4313800005802	1
9	Drain Pipe	200070060005	1
10	Sealplate	110000061319	1
11	Seat Board Sub-Assy	017080060023	1

No.	Material Name	Finished Product Code	Quantity
12	Side Plate	01201006017701	1
13	Brushless DC Motor	150104060012	1
14	Mounting Rack Sub-Assy	017044060011	1
15	Side Plate	012010060175	1
16	Support	012060061048	1
17	Evaporator Assy	011001060300	1
18	Remote Control	30510516	1
19	Room Sensor	39000191	1
20	Temperature Sensor	390001921	1
21	Drain Hose Sub-Assy	007008000001	1
22	Flow Guide Loop	200150060003	1
23	Terminal Board	42018000551	1

Note:

The Finished Product Code may be changed due to the product improvement, please check the newest information with the sales rep.

Model:GU71T/A1-K **Product Code:** ET010N1760

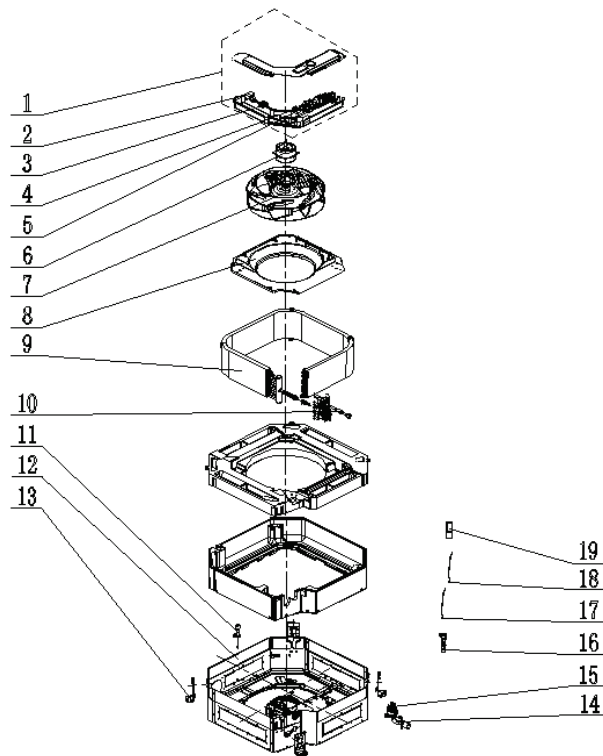


No.	Material Name	Finished Product Code	Quantity
1	Electric Box Assay	100002063468	1
2	Capacitor	3301074705	1
3	Terminal Board	42018000551	1
4	Terminal Board	42011106	1
5	Main Board	300002060419	1
6	Fan Motor	15709400011	1
7	Centrifugal Fan	10429400004	1
8	Diversion Circle	26909400067	1
9	Evaporator Assay	011001000115	1
10	Strainer	07213050	1
11	Liquid Level Switch	4502021602	1
12	Rear Case Assay	01519400003	1
13	Body Installing Plate	01332701	4
14	Drainage Pipe Sub-Assay	26909400055	1
15	Water Pump	43138000058	1
16	Drain Hose Sub-Assay	05232702	1
17	Temperature Sensor	390000453	1
18	Temperature Sensor	39000286	1
19	Remote Control	30510516	1

Note:

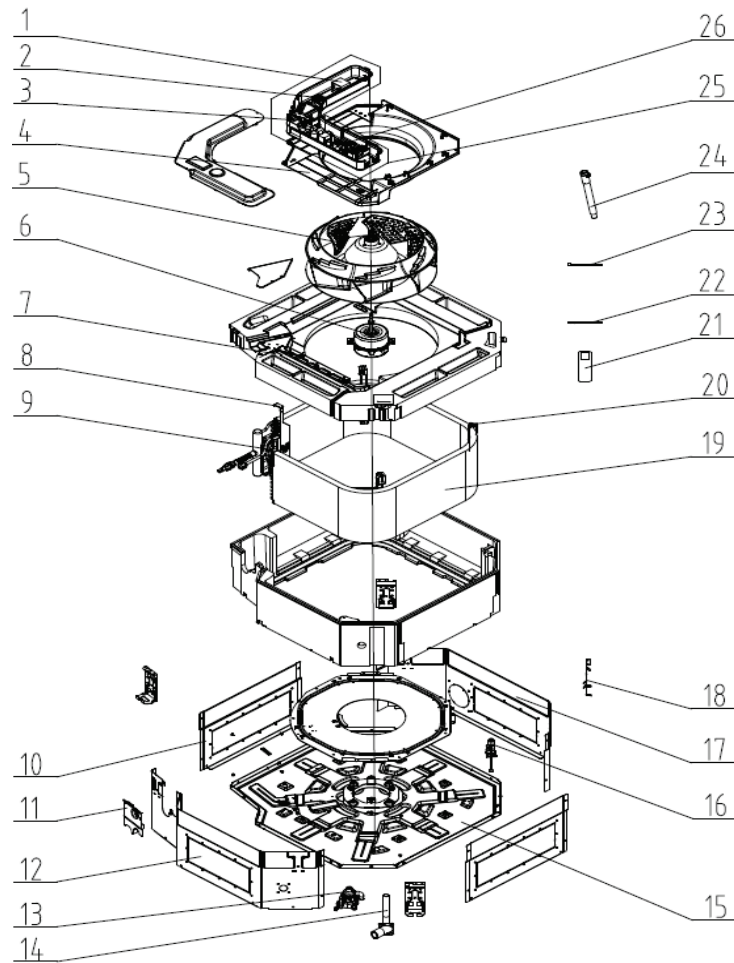
The Finished Product Code may be changed due to the product improvement, please check the newest information with the sales rep.

Model:GU85T/A1-K Product Code: ET010N1820



No.	Material Name	Finished Product Code	Quantity
1	Electric Box Assy	100002063468	1
2	Capacitor	3301074705	1
3	Terminal Board	42018000551	1
4	Terminal Board	42011106	1
5	Main Board	300002060419	1
6	Fan Motor	15709400011	1
7	Centrifugal Fan	10429400004	1
8	Diversion Circle	26909400067	1
9	Evaporator Assy	011001000115	1
10	Strainer	07213050	1
11	Liquid Level Switch	4502021602	1
12	Rear Case Assy	01519400003	1
13	Body Installing Plate	01332701	4
14	Drainage Pipe Sub-Assay	26909400055	1
15	Water Pump	43138000058	1
16	Drain Hose Sub-Assay	05232702	1
17	Temperature Sensor	390000453	1
18	Temperature Sensor	39000286	1
19	Remote Control	30510516	1

Model:GU100T/A1-K **Product Code:** ET010N1770



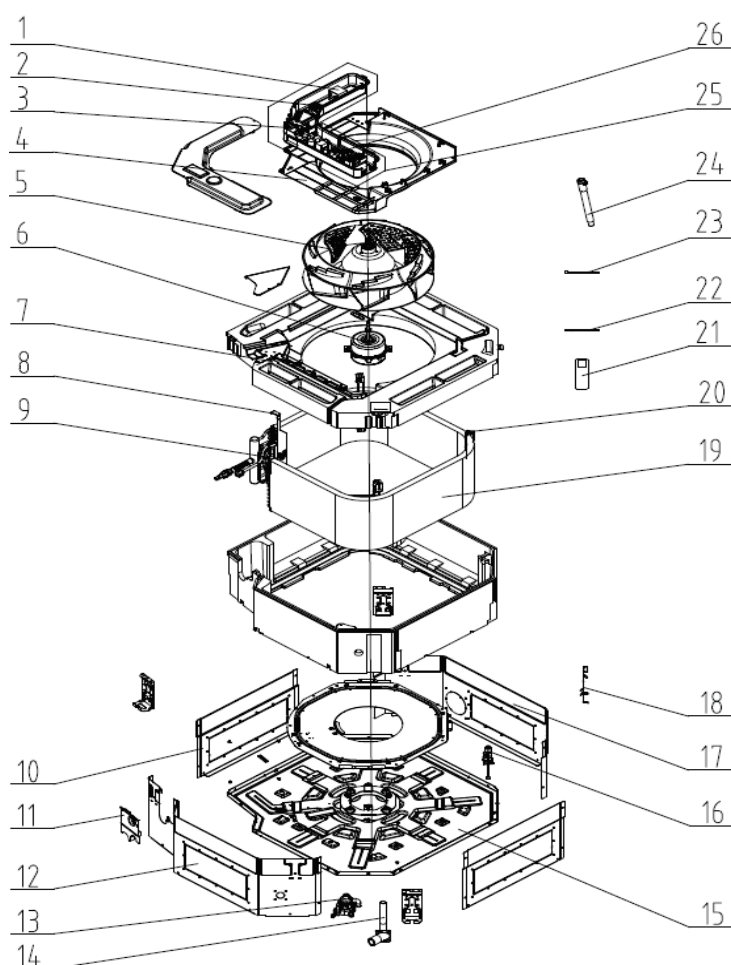
No.	Material Name	Finished Product Code	Quantity
1	Electric Box Assay	100002062940	1
2	Capacitor	3301074706	1
3	Diversion Circle	26909400067	1
4	Water Tray Assay	000069060008	1
5	Centrifugal Fan	10429400004	1
6	Liquid Level Switch	4502021601	1
7	Body Installing Plate	01332701	4
8	Seal Plate Assay	01499400003	1
9	Fixed Mount	01849400020	3
10	Evaporator Assay	01100100025401	1
11	Side Plate 1	01319400049	1
12	Side Plate 3	01319400051	2
13	Side Plate 2	01319400050	1
14	Seat Board Sub-Assay	02229400011	1
15	Strainer	07213050	1
16	Fan Motor	1570940001102	1
17	Water Pump	43138000058	1
18	Drainage Pipe Sub-Assay	26909400055	1

No.	Material Name	Finished Product Code	Quantity
19	Remote Control	305001060020	1
20	Temperature Sensor	390000453	1
21	Temperature Sensor	39000286	1
22	Drain Hose	05232044	1
23	Terminal Board	42018000551	1
24	Terminal Board	42011106	1
25	Main Board	300002060419	1

Note:

The Finished Product Code may be changed due to the product improvement, please check the newest information with the sales rep.

Model:GU125T/A1-K **Product Code:** ET010N1830



No.	Material Name	Finished Product Code	Quantity
1	Electric Box Assy	100002062940	1
2	Capacitor	3301074706	1
3	Diversion Circle	26909400067	1
4	Water Tray Assy	000069060008	1
5	Centrifugal Fan	10429400004	1
6	Liquid Level Switch	4502021601	1

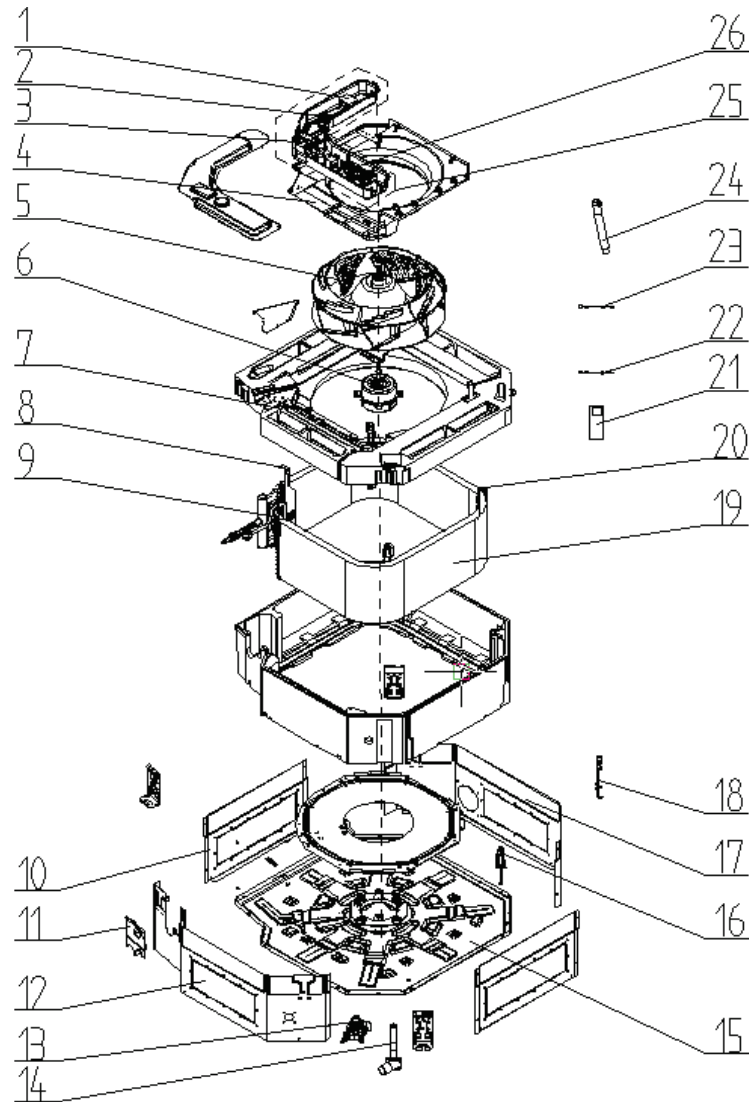
No.	Material Name	Finished Product Code	Quantity
7	Body Installing Plate	01332701	4
8	Seal plate Assay	01499400003	1
9	Fixed Mount	012078060022	3
10	Evaporator Assay	011001060201	1
11	Side Plate 1	01319400049	1
12	Side Plate 3	01319400051	2
13	Side Plate 2	01319400050	1
14	Seat Board Sub-Assay	02229400011	1
15	Support	012060060787	1
16	Fan Motor	1570940001102	1
17	Water Pump	43138000058	1
18	Drainage Pipe Sub-Assay	26909400055	1
19	Remote Control	305001060020	1
20	Temperature Sensor	39000286	1
21	Temperature Sensor	390000453	1
22	Drain Hose	05232044	1
23	Terminal Board	4201800002601	1
24	Terminal Board	42011106	1
25	Main Board	300002060419	1

Note:

The Finished Product Code may be changed due to the product improvement, please check the newest information with the sales rep.

Model:GU140T/A1-K Product Code: ET01001590

Model GU160T/A1-K Product Code: ET01001580



No.	Material Name	Finished Product Code	Quantity
1	Capacitor	3301074708	1
2	Terminal Board	42018000551	1
3	Terminal Board	42011106	1
4	Diversion Circle	10479400002	1
5	Centrifugal Fan	10429400003	1
6	Fan Motor	15709400010	1
7	Water Tray Assay	000069060008	1
8	Connection Sheet Assay	01349400025	1
9	Strainer	07415210	1
10	Side Plate 3	01319400036	2
11	Seal plate Assay	01499400001	1
12	Side Plate 2	01319400026	1
13	Water Pump	43138000058	1

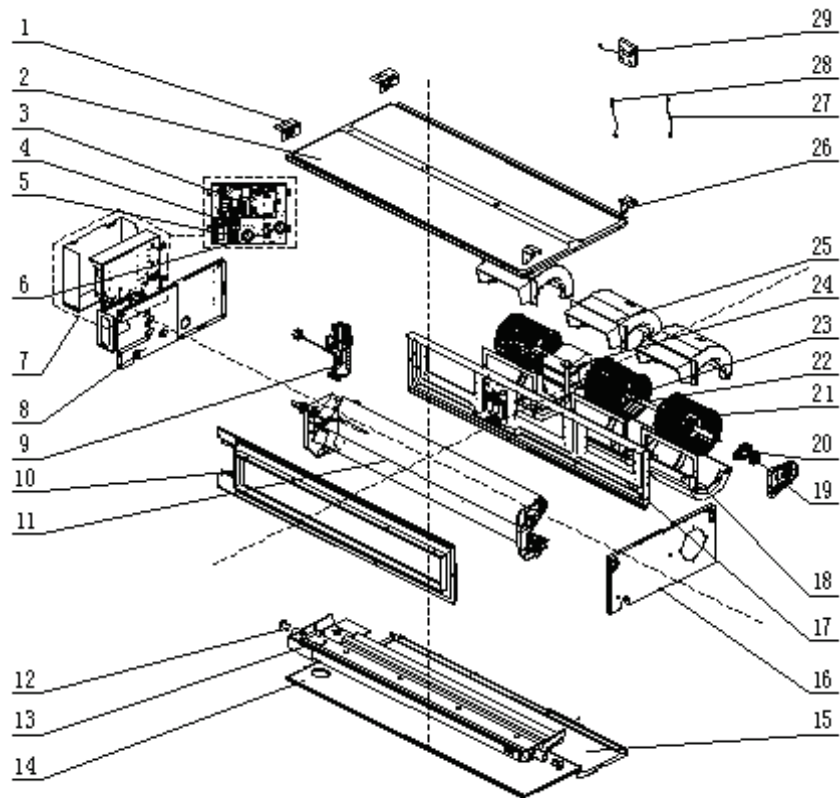
No.	Material Name	Finished Product Code	Quantity
14	Drainage Pipe Sub-Assay	26909400055	1
15	Seat Board Sub-Assay	02229400011	1
16	Liquid Level Switch	4502021601	1
17	Side Plate 1	01319400025	1
18	Body Installing Plate	01332701	4
19	Evaporator Assay	011001000225	1
20	Fixed Mount1	01849400007	3
21	Remote Controller	305001060020	1
22	Temperature Sensor	390000453	1
23	Temperature Sensor	39000286	1
24	Drain Hose Sub-Assay	05232702	1
25	Electric Box Assay	100002062906	1
26	Main Board	300002060419	1

Note:

The Finished Product Code may be changed due to the product improvement, please check the newest information with the sales rep.

Model:GU50P/A1-K

Product Code: CF022N2330



No.	Material Name	Finished Product Code	Quantity
1	Water Tray	01344100034	1
2	Hook 2	0126520014801	1
3	Top Cover Board Sub-Assy	300002060315	1
4	Main Board	42011106	1
5	Terminal Board	42018000551	1
6	Terminal Board	3301074704	1
7	Capacitor	100002064143	3
8	Electric Box Assy	01315200168	3
9	Left Side Plate Sub-Assy	0721200102	1
10	Strainer	01375200041	3
11	Air Outlet Frame Sub-Assy	011001060080	1
12	Evaporator Assy	76815200002	1
13	Rubber Plug	110000002214	1
14	Water Tray	01265200152	1
15	Cover Plate Sub-Assy	011657060129	1
16	Right Side Plate Sub-Assy	01315200167	1
17	Blower Mounting Plate Sub-Assy	01325200095	1

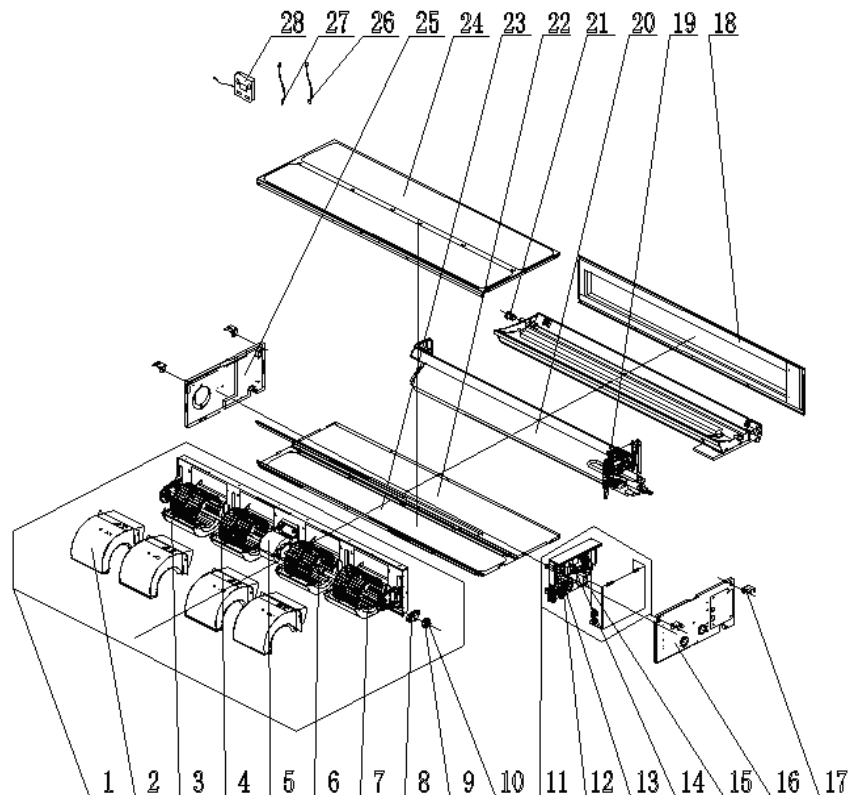
No.	Material Name	Finished Product Code	Quantity
18	Propeller Housing(Lower)	26905200123	1
19	Bearing Holder Sub-Assy	26151139	1
20	Support Of Motor Bearing	02285200001	2
21	Centrifugal Fan	10425200004	1
22	Rotary Axis Sub-Assy	73018761	1
23	Joint Slack	73018731	1
24	Fan Motor	150101000074	1
25	Propeller Housing(Upper)	26905200122	1
26	Hook	01344100034	2
27	Temperature Sensor	3900004508	1
28	Temperature Sensor	390001921	1
29	Display Board	300001000204	1

Note:

The Finished Product Code may be changed due to the product improvement, please check the newest information with the sales rep.

Model:GU71P/A1-K

Product Code: CF022N2360



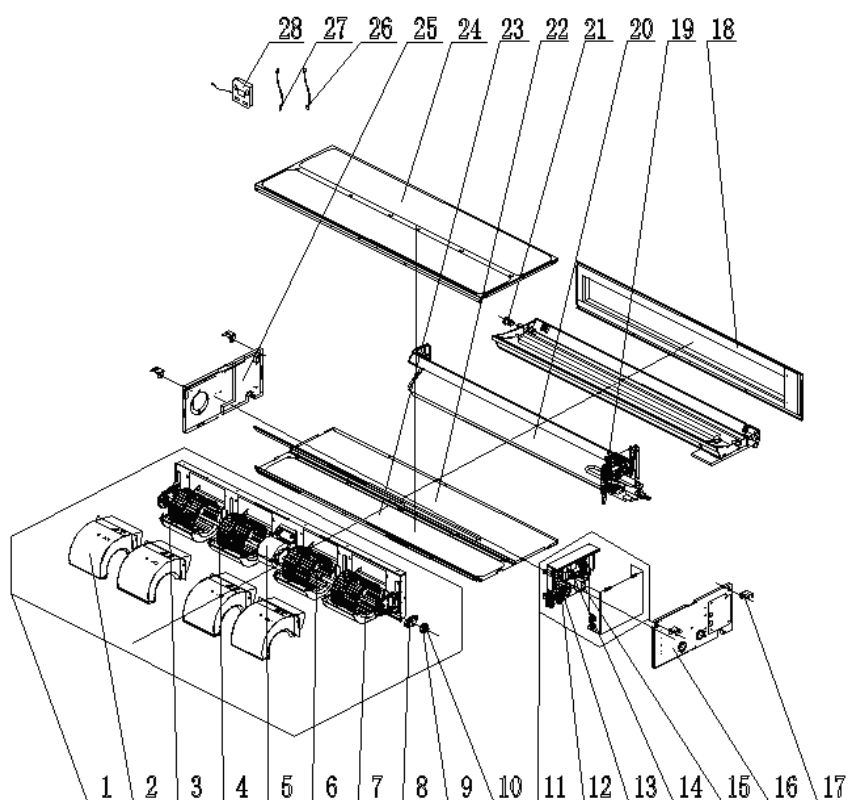
No.	Material Name	Finished Product Code	Quantity
1	Centrifugal fan assy	000052000168	1
2	Propeller Housing(Upper)	26905200122	4

No.	Material Name	Finished Product Code	Quantity
3	Propeller Housing(Lower)	26905200123	4
4	Centrifugal Fan	10425200004	4
5	Fan Motor	150101000059	1
6	Joint Slack	73018731	2
7	Rotary Axis Sub-Assay	73018761	2
8	Support Of Motor Bearing	02285200001	2
9	Bearing Holder	26151138	1
10	Fan Bearing	76512210	1
11	Electric Box Assay	100002063341	1
12	Terminal Board	42018000551	1
13	Terminal Board	42011106	1
14	Main Board	300002060315	1
15	Capacitor CBB61S	3301074705	1
16	Left Side Plate Sub-Assay	01315200168	1
17	Hook 2	01344100034	4
18	Air Outlet Frame Sub-assy	01375200041	1
19	Strainer	0721200102	1
20	Evaporator Assay	011001060080	1
21	Water Tray	26905200031	1
22	Bottom Cover Plate	01265200156	1
23	Cover Plate Sub-Assay	011657060059	1
24	Top Cover Board Sub-assy	0126520014801	1
25	Right Side Plate Sub-Assay	01315200167	1
26	Temperature Sensor	390001921	1
27	Temperature Sensor	390000451	1
28	Display Board	300001000204	1

Note:

The Finished Product Code may be changed due to the product improvement, please check the newest information with the sales rep.

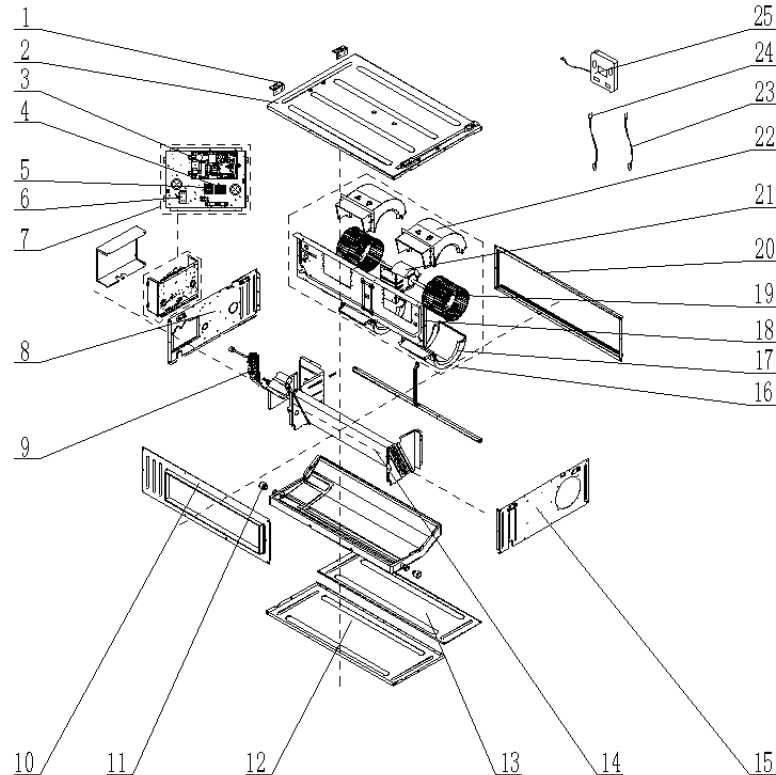
Model:GU85P/A1-K Product Code: CF022N1860



No.	Material Name	Finished Product Code	Quantity
1	Centrifugal fan assy	000052000168	1
2	Propeller Housing(Upper)	26905200122	4
3	Propeller Housing(Lower)	26905200123	4
4	Centrifugal Fan	10425200004	4
5	Fan Motor	150101000059	1
6	Joint Slack	73018731	2
7	Rotary Axis Sub-Assay	73018761	2
8	Support Of Motor Bearing	02285200001	2
9	Bearing Holder	26151138	1
10	Fan Bearing	76512210	1
11	Electric Box Assay	100002063341	1
12	Terminal Board	42018000551	1
13	Terminal Board	42011106	1
14	Main Board	300002060315	1
15	Capacitor CBB61S	3301074705	1
16	Left Side Plate Sub-Assay	01315200168	1
17	Hook 2	01344100034	4
18	Air Outlet Frame Sub-assy	01375200041	1
19	Strainer	0721200102	1
20	Evaporator Assay	011001060080	1
21	Water Tray	26905200031	1

No.	Material Name	Finished Product Code	Quantity
22	Bottom Cover Plate	01265200156	1
23	Cover Plate Sub-Assay	011657060059	1
24	Top Cover Board Sub-assy	0126520014801	1
25	Right Side Plate Sub-Assay	01315200167	1
26	Temperature Sensor	390001921	1
27	Temperature Sensor	390000451	1
28	Display Board	300001000204	1

Model:GU100PH/A1-K **Product Code:** CF022N2320



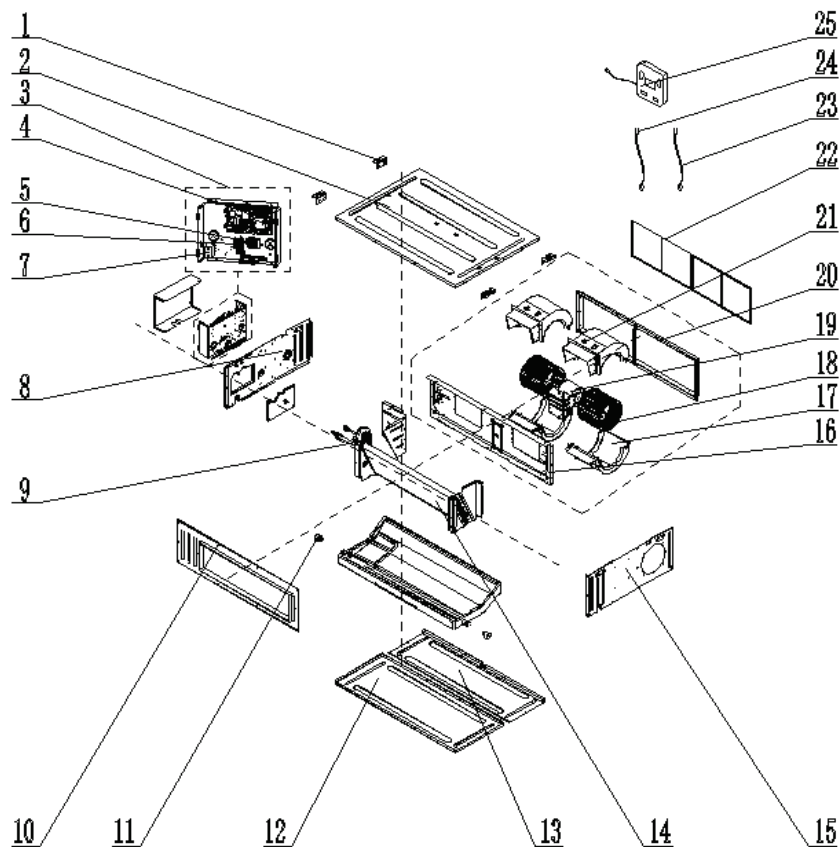
No.	Material Name	Finished Product Code	Quantity
1	Hook	02112466	4
2	Top Cover Board Sub-Assay	01265200129	1
3	Main Board	300002060315	1
4	Terminal Board	42018000551	1
5	Terminal Board	42000100000101	1
6	Capacitor	3301074708	1
7	Electric Box Assay	100002062426	1
8	Left Side Plate Sub-Assay	01315200123	1
9	Strainer	07415210	1
10	Air Outlet Frame Assay	01375200026	1
11	Choke Plug of Drain Pipe	76815214	1
12	Bottom Cover Plate	01265200131	1
13	Cover Of Air-In	01265200132	1
14	Evaporator Assay	011001060271	1

No.	Material Name	Finished Product Code	Quantity
15	Right Side Plate Sub-Assay	01315200122	1
16	Centrifugal fan assy	000052060117	1
17	Propeller Housing(Lower)	26905200079	2
18	Blower Mounting Plate Sub-Assay	01325200079	1
19	Centrifugal Fan	10455200003	2
20	Return Air Frame Sub-Assay	017026000002	1
21	Fan Motor	15010106006601	1
22	Propeller Housing(Upper)	26905200078	2
23	Temperature Sensor	390001921	1
24	Ambient Temperature Sensor	3900012123	1
25	Display Board	300001000204	1

Note:

The Finished Product Code may be changed due to the product improvement, please check the newest information with the sales rep.

Model:GU125PH/A1-K **Product Code:** CF022N1860



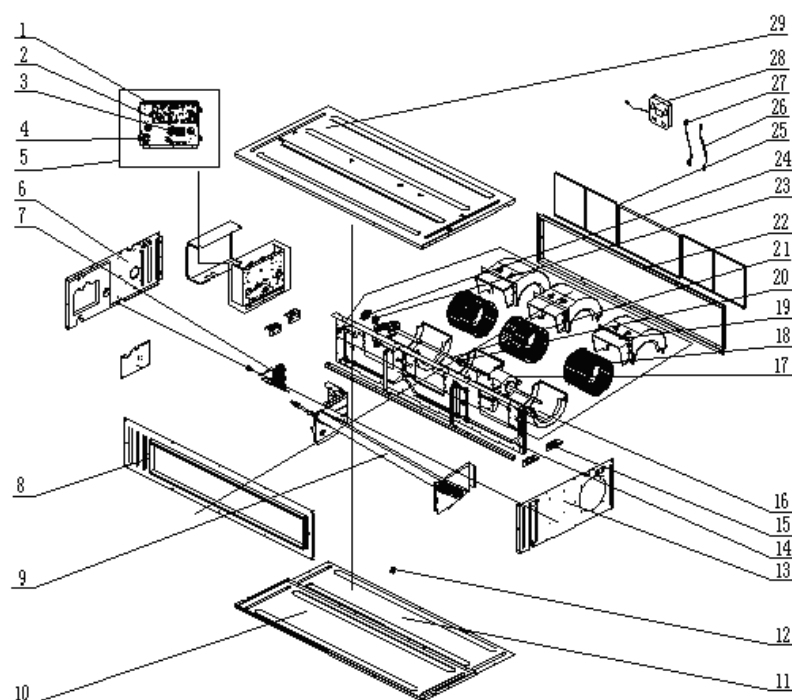
No.	Material Name	Finished Product Code	Quantity
1	Hook	02112466	4
2	Top Cover Board Sub-assy	01265200129	1
3	Electric Box Assay	100002062426	1
4	Main Board	300002060315	1

No.	Material Name	Finished Product Code	Quantity
5	Terminal Board	42018000551	1
6	Terminal Board	42000100000101	1
7	Capacitor CBB61S	3301074708	1
8	Left Side Plate Sub-Assay	01315200123	1
9	Pump Drainpipe	200070060004	1
10	Liquid Level Switch	430024000005	1
11	Water Pump	81200706001601	1
12	Strainer	07415210	1
13	Air Outlet Frame Sub-assy	01375200025	1
14	Choke Plug of Drain Pipe	76815214	2
15	Bottom Cover Plate	01265200131	1
16	Cover Of Air-In	01265200132	1
17	Evaporator Assay	011001060271	1
18	Right Side Plate Sub-Assay	01315200122	1
19	Blower Mounting Plate Sub-Assay	01325200079	1
20	Propeller Housing(Lower)	26905200079	2
21	Centrifugal Fan	10455200003	2
22	Fan Motor	15010106006601	1
23	Return Air Frame Sub-Assay	017026000002	1
24	Propeller Housing(Upper)	26905200078	2
25	Filter Sub-Assay	111001000045	2
26	Ambient Temperature Sensor	3900012123	1
27	Temperature Sensor	390001921	1
28	Display Board	300001000204	1

Note:

The Finished Product Code may be changed due to the product improvement, please check the newest information with the sales rep.

Model:GU140PH/A1-K **Product Code:** CF022N1790



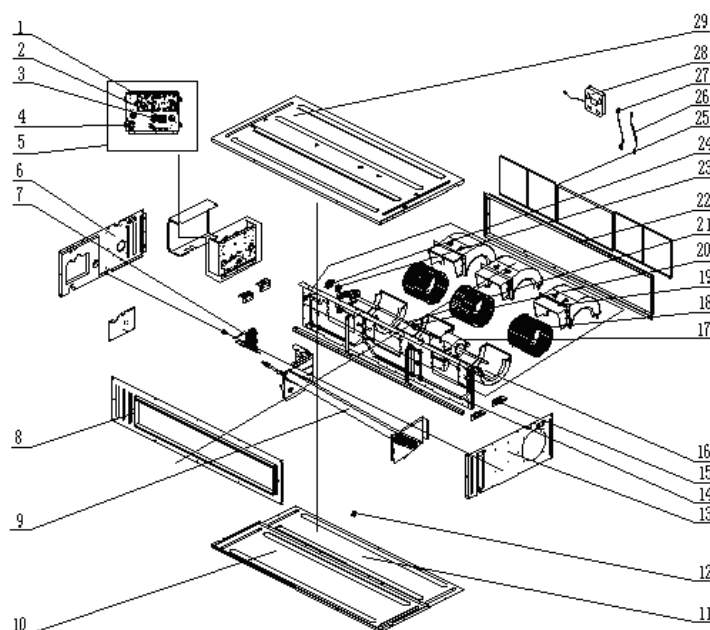
No.	Finished Product Code	Material Name	Quantity
1	Main Board	300002060315	1
2	Terminal Board	42018000551	1
3	Terminal Board	42000100000101	1
4	Capacitor	3301074719	1
5	Electric Box Assy	100002062425	1
6	Left Side Plate Sub-Assay	01315200123	1
7	Strainer	07415210	1
8	Air Outlet Frame Sub-Assay	01375200020	1
9	Evaporator Assy	01055200034	1
10	Bottom Cover Plate	01265200125	1
11	Cover Plate(Air Return)	01265200123	1
12	Choke Plug of Drain Pipe	76815214	1
13	Right Side Plate Sub-Assay	01315200122	1
14	Blower Mounting Plate Sub-Assay	01325200076	1
15	Hook	02112466	4
16	Propeller Housing(Lower)	26905200079	3
17	Fan Motor	15010106006701	1
18	Centrifugal Fan	10455200003	3
19	Propeller Housing(Upper)	26905200078	3
20	Joint Slack	73018731	1
21	Rotary Axis Sub-Assay	73018000117	1
22	Return Air Frame Sub-Assay	017026000003	1
23	Bearing Holder	26151138	1
24	Support Of Motor Bearing	02285200001	1

No.	Finished Product Code	Material Name	Quantity
25	Filter Sub-Assay	111001000052	3
26	Ambient Temperature Sensor	3900012123	1
27	Temperature Sensor	390001921	1
28	Display Board	300001000204	1
29	Top Cover Board Sub-Assay	01265200120	1

Note:

The Finished Product Code may be changed due to the product improvement, please check the newest information with the sales rep.

Model:GU160PH/A1-K **Product Code:** CF022N1920



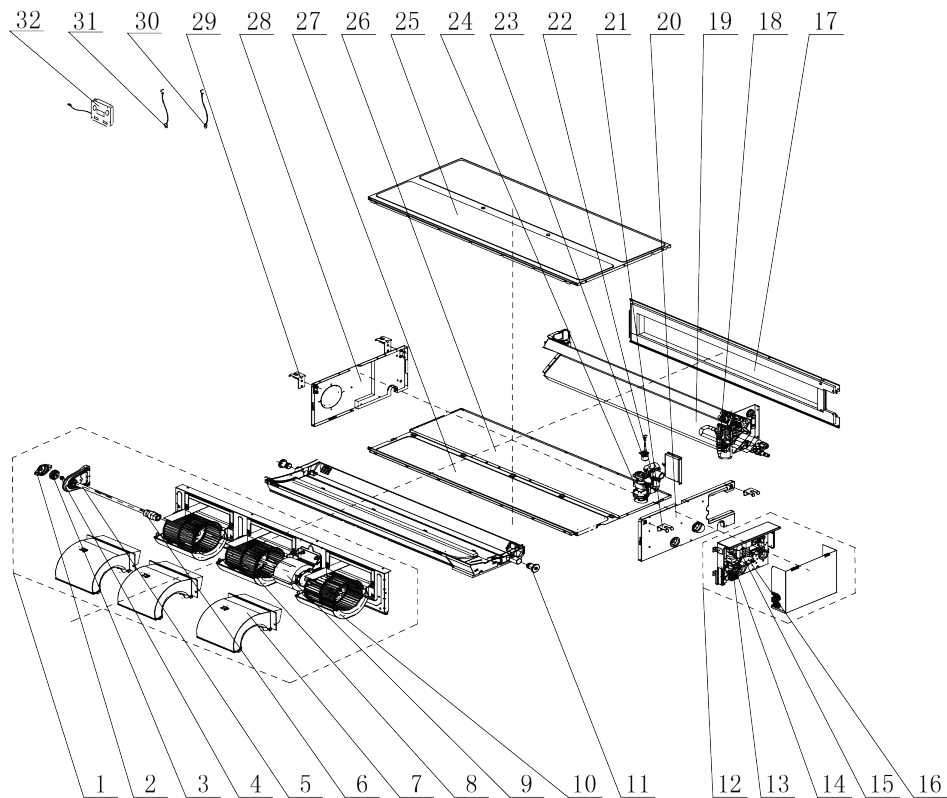
No.	Finished Product Code	Material Name	Quantity
1	Main Board	300002060315	1
2	Terminal Board	42018000551	1
3	Terminal Board	42000100000101	1
4	Capacitor	3301074719	1
5	Electric Box Assay	100002062425	1
6	Left Side Plate Sub-Assay	01315200123	1
7	Strainer	07415210	1
8	Air Outlet Frame Sub-Assay	01375200020	1
9	Evaporator Assay	011001060186	1
10	Bottom Cover Plate	01265200125	1
11	Cover Plate(Air Return)	01265200123	1
12	Choke Plug of Drain Pipe	76815214	1
13	Right Side Plate Sub-Assay	01315200122	1
14	Blower Mounting Plate Sub-Assay	01325200076	1
15	Hook	02112466	4
16	Propeller Housing(Lower)	26905200079	3

No.	Finished Product Code	Material Name	Quantity
17	Fan Motor	15010106006701	1
18	Centrifugal Fan	10455200003	3
19	Propeller Housing(Upper)	26905200078	3
20	Joint Slack	73018731	1
21	Rotary Axis Sub-Assay	73018000117	1
22	Return Air Frame Sub-Assay	017026000003	1
23	Bearing Holder	26151138	1
24	Support Of Motor Bearing	02285200001	1
25	Filter Sub-Assay	111001000052	3
26	Ambient Temperature Sensor	3900012123	1
27	Temperature Sensor	390001921	1
28	Display Board	300001000204	1
29	Top Cover Board Sub-Assay	01265200120	1

Note:

The Finished Product Code may be changed due to the product improvement, please check the newest information with the sales rep.

Model:GU50PS/A1-K Product Code: CF022N2340



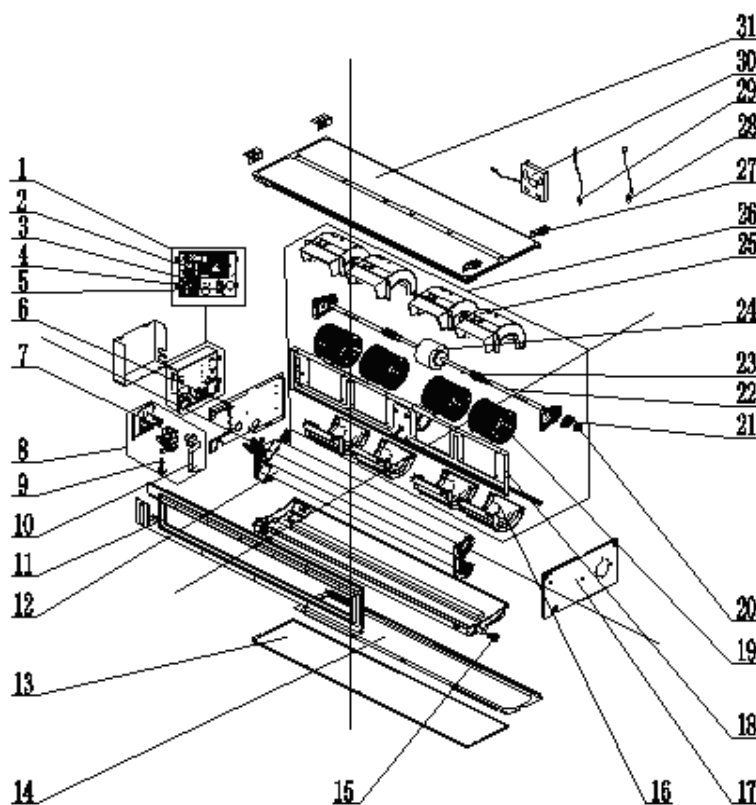
No.	Material Name	Finished Product Code	Quantity
1	Centrifugal Fan Assay	000052000076	1
2	Support Of Motor Bearing	02285200001	1
3	Bearing Holder	26151138	1
4	Fan Bearing	26151138	1
5	Rotary Axis Sub-Assay	73018761	1
6	Joint Slack	73018731	1
7	Propeller Housing(Upper)	26905200018	3
8	Centrifugal Fan	10425200003	3
9	Fan Motor	1570520104	1
10	Propeller Housing(Lower)	26905200019	3
11	Rubber Plug	76815200002	1
12	Electric Box Assay	100002063343	1
13	Terminal Board	42018000551	1
14	Terminal Board	42011106	1
15	Main Board	300002060315	1
16	Capacitor	3301074704	1
17	Air Outlet Frame Sub-Assay	01374100055	1
18	Strainer	0721200102	1
19	Evaporator Assay	011001000536	1
20	Left Side Plate Sub-Assay	017037000041	1
21	Hook 2	01344100034	2

No.	Material Name	Finished Product Code	Quantity
22	Drainage Pipe(Rubber)	760022000001	1
23	Liquid Level Switch	430024000005	1
24	Water Pump	812007060016	1
25	Top Cover Board Sub-Assay	01265200069	1
26	Bottom Cover Plate	01265200072	1
27	Cover Plate Sub-Assay	011657060003	1
28	Right Side Plate Sub-Assay	01315200052	1
29	Hook	02112446	2
30	Temperature Sensor	3900004508	1
31	Temperature Sensor	390001921	1
32	Display Board	300001000204	1

Note:

The Finished Product Code may be changed due to the product improvement, please check the newest information with the sales rep.

Model:GU71PS/A1-K **Product Code:** CF022N2350



No.	Material Name	Finished Product Code	Quantity
1	Display Board	300001000204	1
2	Terminal Board	42011106	1
3	Terminal Board	42018000551	1
4	Capacitor CBB61S	3301074705	1
5	Main Board	300002060315	1

No.	Material Name	Finished Product Code	Quantity
6	Electric Box Assay	100002063341	1
7	Hook 2	01344100034	4
8	Filter Sub-Assay	111253039	2
9	Cover Of Air-In	01265200158	1
10	Air Outlet Frame Assay	000141000016	1
11	Bottom Cover Plate Assay	01265200152	1
12	Water Tray Assay	000069000103	1
13	Water Pump	812007060016	1
14	Water Pump Assay	000104060009	1
15	Temperature Sensor	390000451	1
16	Temperature Sensor	390001921	1
17	Liquid Level Switch	430024000005	1
18	Strainer	0721200102	1
19	Evaporator Assay	011001060083	1
20	Left Side Plate Assay	000080000025	1
21	Right Side Plate Assay	01315200169	1
22	Bearing Holder	26151138	1
23	Bearing Holder Sub-assy	26151139	2
24	Rotary Axis Sub-Assay	73018761	2
25	Joint Slack	73018731	2
26	Propeller Housing(Lower)	26905200123	4
27	Propeller Housing(Upper)	26905200122	4
28	Centrifugal Fan	10425200004	4
29	Fan Motor	150101000059	1
30	Centrifugal fan assy	000052000168	1
31	Top Cover Board Assay	0126520015101	1

Note:

The Finished Product Code may be changed due to the product improvement, please check the newest information with the sales rep.