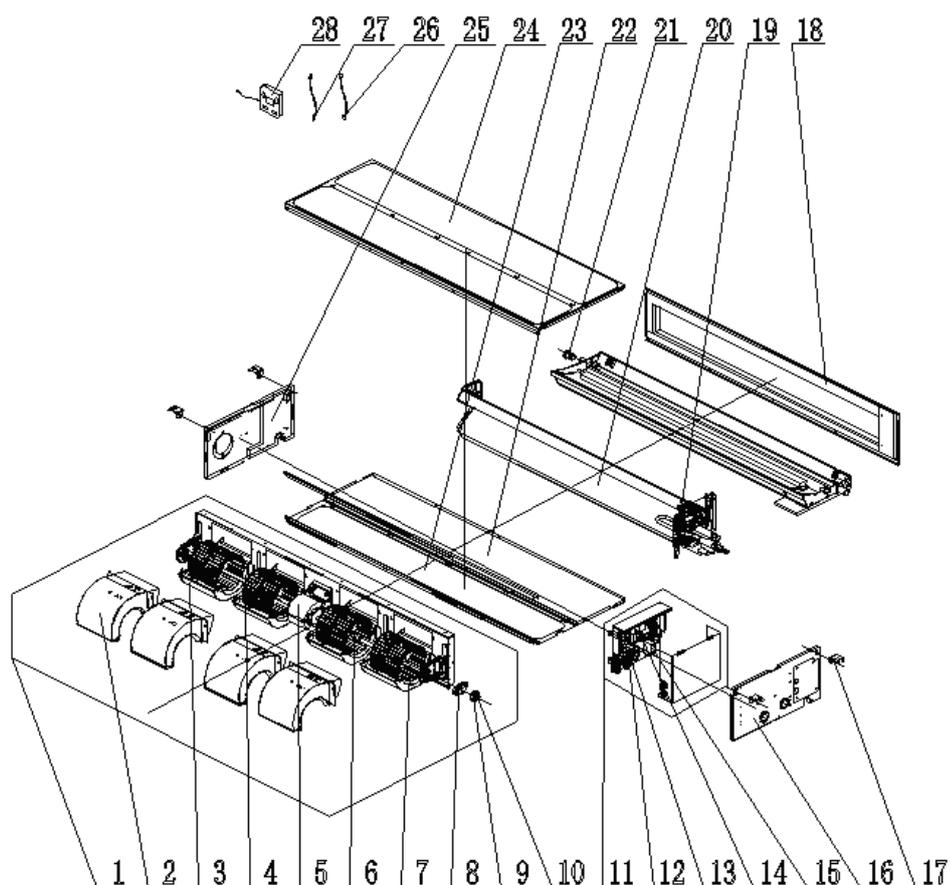


Model:GU85PS/A1-K

Product Code: CF022N2410

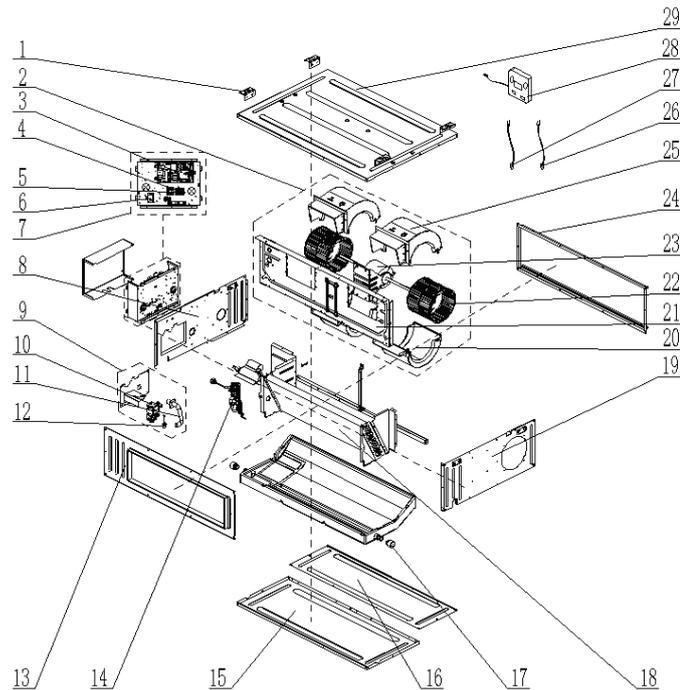


No.	Finished Product Code	Material Name	Quantity
1	000052000168	Centrifugal fan assy	1
2	26905200122	Propeller Housing(Upper)	4
3	26905200123	Propeller Housing(Lower)	4
4	10425200004	Centrifugal Fan	4
5	150101000059	Fan Motor	1
6	73018731	Joint Slack	2
7	73018761	Rotary Axis Sub-Assay	2
8	02285200001	Support Of Motor Bearing	2
9	26151138	Bearing Holder	1
10	76512210	Fan Bearing	1
11	100002063341	Electric Box Assay	1
12	42018000551	Terminal Board	1
13	42011106	Terminal Board	1
14	300002060315	Main Board	1
15	3301074705	Capacitor CBB61S	1
16	01315200168	Left Side Plate Sub-Assay	1
17	01344100034	Hook 2	4
18	01375200041	Air Outlet Frame Sub-assy	1
19	0721200102	Strainer	1
20	011001060080	Evaporator Assay	1

No.	Finished Product Code	Material Name	Quantity
21	26905200031	Water Tray	1
22	01265200156	Bottom Cover Plate	1
23	011657060059	Cover Plate Sub-Assay	1
24	0126520014801	Top Cover Board Sub-assy	1
25	01315200167	Right Side Plate Sub-Assay	1
26	390001921	Temperature Sensor	1
27	390000451	Temperature Sensor	1
28	300001000204	Display Board	1
28	300001000204	Display Board	1

Model:GU100PHS/A1-K

Product Code: CF022N2370



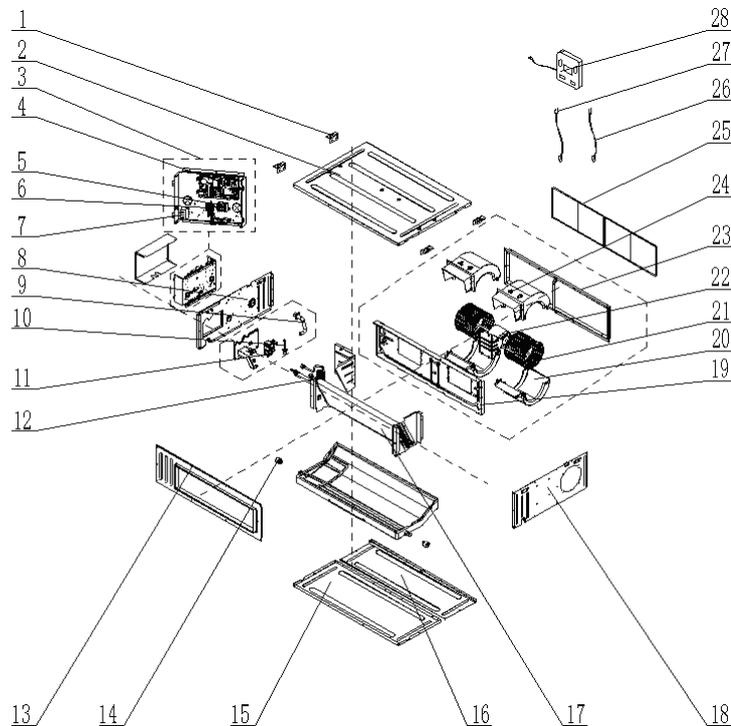
No.	Material Name	Finished Product Code	Quantity
1	Hook	02112466	4
2	Centrifugal fan Assay	000052060117	1
3	Main Board	300002060315	1
4	Terminal Board	42018000551	1
5	Terminal Board	42000100000101	1
6	Capacitor	3301074708	1
7	Electric Box Assay	100002062426	1
8	Left Side Plate Sub-Assay	01315200123	1
9	Water Pump Assay	000104060016	1
10	Water Pump	81200706001601	1
11	Pump Drainpipe	200070060004	1
12	Liquid Level Switch	430024000005	1
13	Air Outlet Frame Assay	01375200026	1
14	Strainer	07415210	1

No.	Material Name	Finished Product Code	Quantity
15	Bottom Cover Plate	01265200131	1
16	Cover Of Air-In	01265200132	1
17	Choke Plug of Drain Pipe	76815214	2
18	Evaporator Assay	011001060271	1
19	Right Side Plate Sub-Assay	01315200122	1
20	Propeller Housing(Lower)	26905200079	2
21	Blower Mounting Plate Sub-Assay	01325200079	1
22	Centrifugal Fan	10455200003	2
23	Fan Motor	15010106006601	1
24	Return Air Frame Sub-Assay	017026000002	1
25	Propeller Housing(Upper)	26905200078	2
26	Temperature Sensor	390001921	1
27	Ambient Temperature Sensor	3900012123	1
28	Display Board	300001000204	1
29	Top Cover Board Assay	01265200130	1

Note:

The Finished Product Code may be changed due to the product improvement, please check the newest information with the sales rep.

Model:GU125PHS/A1-K **Product Code:** CF022N2390



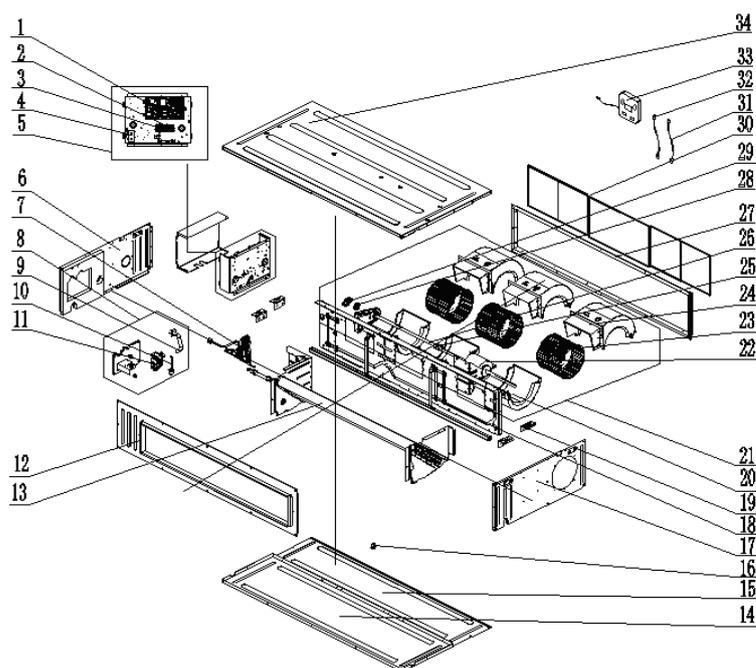
No.	Material Name	Finished Product Code	Quantity
1	Hook	02112466	4
2	Top Cover Board Sub-assy	01265200129	1
3	Electric Box Assay	100002062426	1

No.	Material Name	Finished Product Code	Quantity
4	Main Board	300002060315	1
5	Terminal Board	42018000551	1
6	Terminal Board	42000100000101	1
7	Capacitor CBB61S	3301074708	1
8	Left Side Plate Sub-Assay	01315200123	1
9	Pump Drainpipe	200070060004	1
10	Liquid Level Switch	430024000005	1
11	Water Pump	81200706001601	1
12	Strainer	07415210	1
13	Air Outlet Frame Sub-assy	01375200025	1
14	Choke Plug of Drain Pipe	76815214	2
15	Bottom Cover Plate	01265200131	1
16	Cover Of Air-In	01265200132	1
17	Evaporator Assay	011001060271	1
18	Right Side Plate Sub-Assay	01315200122	1
19	Blower Mounting Plate Sub-Assay	01325200079	1
20	Propeller Housing(Lower)	26905200079	2
21	Centrifugal Fan	10455200003	2
22	Fan Motor	15010106006601	1
23	Return Air Frame Sub-Assay	017026000002	1
24	Propeller Housing(Upper)	26905200078	2
25	Filter Sub-Assay	111001000045	2
26	Ambient Temperature Sensor	3900012123	1
27	Temperature Sensor	390001921	1
28	Display Board	300001000204	1

Note:

The Finished Product Code may be changed due to the product improvement, please check the newest information with the sales rep.

Model:GU140PHS/A1-K **Product Code:** CF022N1940



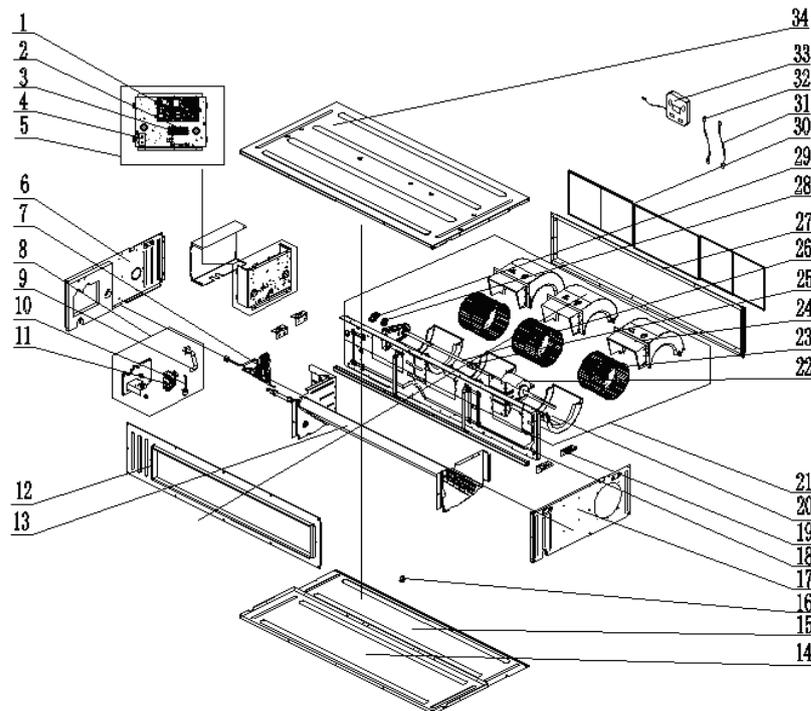
No.	Material Name	Finished Product Code	Quantity
1	Main Board	300002060315	1
2	Terminal Board	42018000551	1
3	Terminal Board	42000100000101	1
4	Capacitor	3301074719	1
5	Electric Box Assy	100002062425	1
6	Left Side Plate Sub-Assay	01315200123	1
7	Strainer	07415210	1
8	Water Pump Assy	000104060016	1
9	Pump Drainpipe	200070060004	1
10	Liquid Level Switch	430024000005	1
11	Water Pump	81200706001601	1
12	Air Outlet Frame Sub-Assay	01375200020	1
13	Evaporator Assy	011001060191	1
14	Bottom Cover Plate	01265200125	1
15	Cover Plate(Air Return)	01265200123	1
16	Choke Plug of Drain Pipe	76815214	2
17	Right Side Plate Sub-Assay	01315200122	1
18	Blower Mounting Plate Sub-Assay	01325200076	1
19	Hook	02112466	4
20	Propeller Housing(Lower)	26905200079	3
21	Centrifugal Fan Assy	000052060118	1
22	Fan Motor	15010106006701	1
23	Centrifugal Fan	10455200003	3
24	Propeller Housing(Upper)	26905200078	3

No.	Material Name	Finished Product Code	Quantity
25	Joint Slack	73018731	1
26	Rotary Axis Sub-Assay	73018000117	1
27	Return Air Frame Sub-Assay	017026000003	1
28	Bearing Holder	26151138	1
29	Support Of Motor Bearing	02285200001	1
30	Filter Sub-Assay	111001000052	1
31	Ambient Temperature Sensor	3900012123	1
32	Temperature Sensor	390001921	1
33	Display Board	300001000204	1
34	Top Cover Board Sub-Assay	01265200120	1

Note:

The Finished Product Code may be changed due to the product improvement, please check the newest information with the sales rep.

Model:GU160PHS/A1-K **Product Code:** CF022N1930



No.	Material Name	Finished Product Code	Quantity
1	Main Board	300002060315	1
2	Terminal Board	42018000551	1
3	Terminal Board	42000100000101	1
4	Capacitor	3301074719	1
5	Electric Box Assay	100002062425	1
6	Left Side Plate Sub-Assay	01315200123	1
7	Strainer	07415210	1
8	Water Pump Assay	000104060016	1
9	Pump Drainpipe	200070060004	1

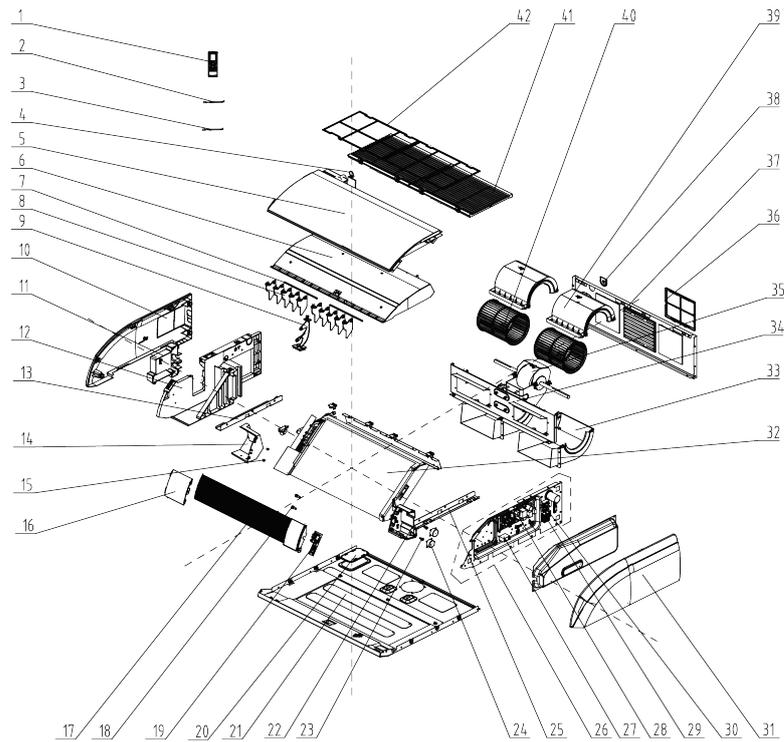
No.	Material Name	Finished Product Code	Quantity
10	Liquid Level Switch	430024000005	1
11	Water Pump	81200706001601	1
12	Air Outlet Frame Sub-Assay	01375200020	1
13	Evaporator Assay	011001060186	1
14	Bottom Cover Plate	01265200125	1
15	Cover Plate(Air Return)	01265200123	1
16	Choke Plug of Drain Pipe	76815214	2
17	Right Side Plate Sub-Assay	01315200122	1
18	Blower Mounting Plate Sub-Assay	01325200076	1
19	Hook	02112466	4
20	Propeller Housing(Lower)	26905200079	3
21	Centrifugal Fan Assay	000052060118	1
22	Fan Motor	15010106006701	1
23	Centrifugal Fan	10455200003	3
24	Propeller Housing(Upper)	26905200078	3
25	Joint Slack	73018731	1
26	Rotary Axis Sub-Assay	73018000117	1
27	Return Air Frame Sub-Assay	017026000003	1
28	Bearing Holder	26151138	1
29	Support Of Motor Bearing	02285200001	1
30	Filter Sub-Assay	111001000052	1
31	Ambient Temperature Sensor	3900012123	1
32	Temperature Sensor	390001921	1
33	Display Board	300001000204	1
34	Top Cover Board Sub-Assay	01265200120	1

Note:

The Finished Product Code may be changed due to the product improvement, please check the newest information with the sales rep.

Model:GU50ZD/A1-K

Product Code: ED020N2070



No.	Material Name	Finished Product Code	Quantity
1	Remote Control	305001060020	1
2	Temperature Sensor	3900012123	1
3	Ambient Temperature Sensor	390001923	1
4	Drainage Pipe Sub-Assay	05235434	1
5	Top Cover	012148000046	1
6	Water Tray	200063000024	1
7	Swing Lever	10582009	2
8	Air Louver	20000700000101	10
9	Support	2690940007601	4
10	Right Side Plate	2690940007101	1
11	Cover Plate(Inlet and Outlet Pipe)	26909452	1
12	Right Side Plate	26909400074	1
13	Installation Supporting Frame(Right)	01809402	1
14	Mounting Rack Sub-Assay	017044000007	1
15	Axile Bush	10542704	2
16	Front Panel	20000300000101	1
17	Guide Louver	20000400004601	2
18	Rotating Shaft 3	26909430	2
19	Display Board	30294000009	1
20	Cover Plate(Inlet and Outlet Pipe)	012035000009	1

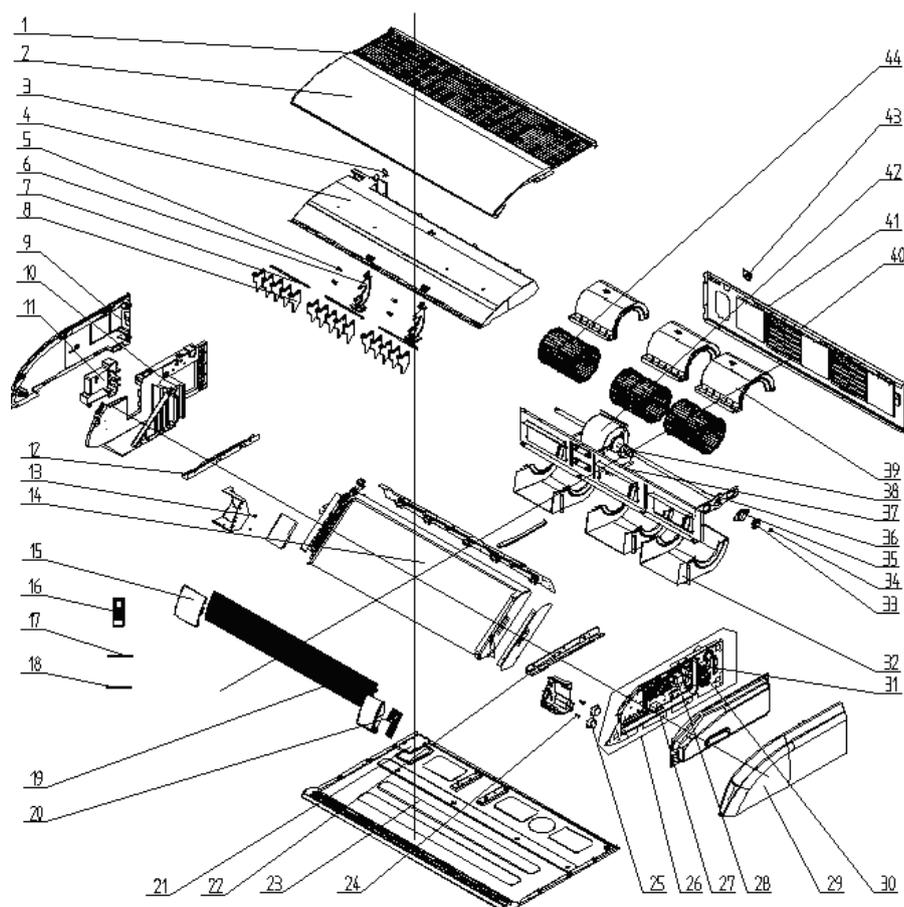
No.	Material Name	Finished Product Code	Quantity
21	Base Plate Assay	011007060037	1
22	Mounting Rack Sub-Assay	017044060010	1
23	Crankshaft	200023000001	2
24	Stepping Motor	1521240215	2
25	Installation Supporting Frame(Left)	01809401	1
26	Electric Box Assay	100002063455	1
27	Capacitor CBB61S	3301074701	1
28	Main Board	300002060419	1
29	Terminal Board	42000100000204	1
30	Terminal Board	42018000551	1
31	Left Side Plate	2690940007001	1
32	Evaporator Assay	011001000487	1
33	Propeller Housing(Lower)	200230000001	2
34	Clapboard Sub-Assay	017021000088	1
35	Fan Motor	1570940901	1
36	Filter Sub-Assay	111001000001	1
37	Rear Side Plate Sub-Assay	017051000046	1
38	Adhesive Cover (Drainage Pipe)	26909453	1
39	Propeller Housing(Upper)	200230000002	2
40	Centrifugal Fan	103003000001	2
41	Front Grill	20022600000401	2
42	Filter Sub-Assay	111001000072	2

Note:

The Finished Product Code may be changed due to the product improvement, please check the newest information with the sales rep.

Model:GU71ZD/A1-K

Product Code: ED020N2080



No.	Material Name	Finished Product Code	Quantity
1	Front Grill	2690940006601	3
2	Top Cover	01269400012P01	1
3	Drainage Pipe Sub-assy	05235434	1
4	Water Tray	200063000003	1
5	Rotating Shaft 3	26909430	4
6	Support	2690940007601	2
7	Swing Lever	10582009	3
8	Air Louver	20000700000101	15
9	Right Side Plate	2690940007101	1
10	Right Side Plate	269094000074	1
11	Cover Plate(Inlet and outlet Pipe)	012035000009	1
12	Installation Supporting Frame(right)	01809402	1
13	Axile Bush	10542704	2
14	Evaporator Assay	011001000201	1
15	Front Panel	20000300000101	1
16	Remote Control	305001060020	1
17	Ambient Temperature Sensor	3900012123	1
18	Temperature Sensor	3900019204	1
19	Guide Louver	20000450042201	1

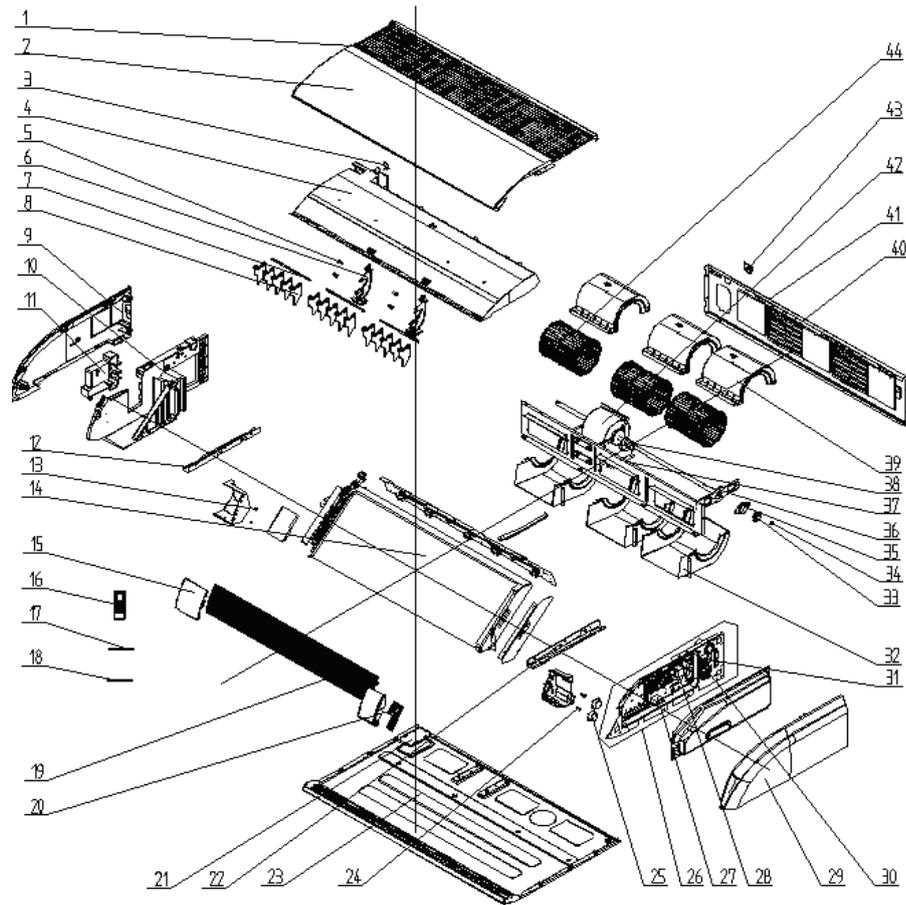
No.	Material Name	Finished Product Code	Quantity
20	Display Board	30294000009	1
21	Cover Plate(Inlet and outlet Pipe)	26909452	1
22	Installation Supporting Frame(left)	01809401	1
23	Base Plate Assay	011007060035	1
24	Crankshaft	200023000001	2
25	Stepping Motor	1521240215	2
26	Electric Box Assay	100002063456	1
27	Capacitor CBB61S	3301074702	1
28	Main Board	300002060419	1
29	Left Side Plate	2690940007001	1
30	Terminal Board	42018000551	1
31	Terminal Board	42000100000204	1
32	Propeller Housing(Lower)	200230000001	3
33	O-Gasket of Bearing	76512404	1
34	Fan Bearing	76512210	1
35	Support Of Motor Bearing	01792408	1
36	Roller Wheel	700004500433	1
37	Clapboard Sub-Assay	01249400018	1
38	Joint Slack	73018731	1
39	Propeller Housing(Upper)	200230000002	3
40	Filter Sub-Assay	111001000001	2
41	Rear Side Plate Sub-Assay	017051000005	1
42	Fan Motor	15709408	1
43	Adhesive Cover (Drainage Pipe)	26909453	1
44	Centrifugal Fan	103003000001	3

Note:

The Finished Product Code may be changed due to the product improvement, please check the newest information with the sales rep.

Model:GU85ZD/A1-K

Product Code: ED020N2100



No.	Material Name	Finished Product Code	Quantity
1	Front Grill	2690940006601	3
2	Top Cover	01269400012P01	1
3	Drainage Pipe Sub-assy	05235434	1
4	Water Tray	200063000003	1
5	Rotating Shaft 3	26909430	4
6	Support	2690940007601	2
7	Swing Lever	10582009	3
8	Air Louver	20000700000101	15
9	Right Side Plate	2690940007101	1
10	Right Side Plate	269094000074	1
11	Cover Plate(Inlet and outlet Pipe)	012035000009	1
12	Installation Supporting Frame(right)	01809402	1
13	Axile Bush	10542704	2
14	Evaporator Assay	011001000201	1
15	Front Panel	20000300000101	1
16	Remote Control	305001060020	1
17	Ambient Temperature Sensor	3900012123	1
18	Temperature Sensor	3900019204	1
19	Guide Louver	20000450042201	1

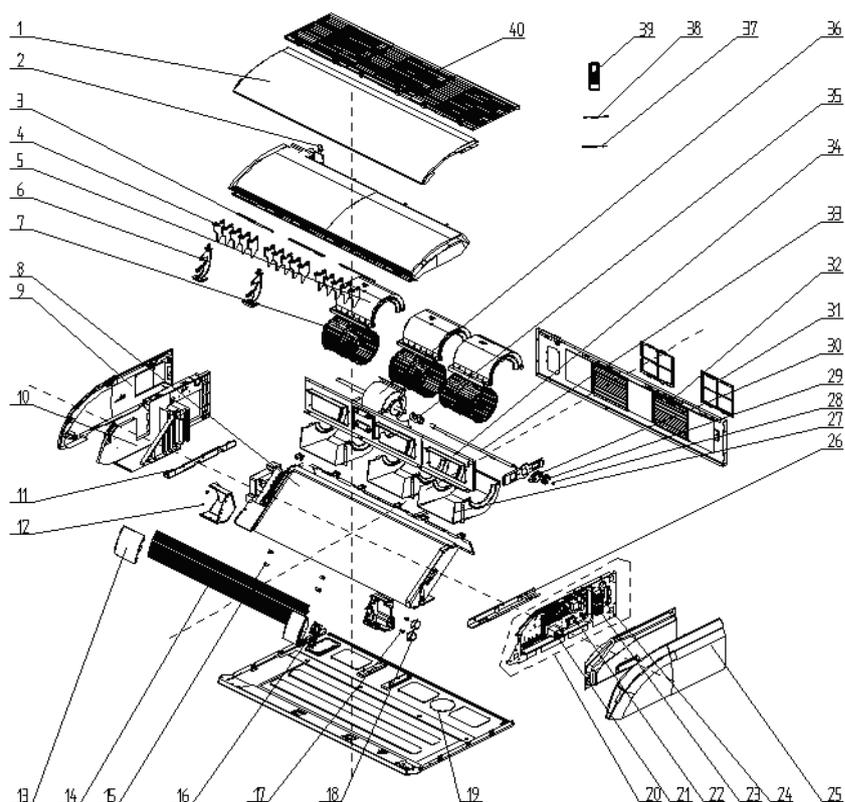
No.	Material Name	Finished Product Code	Quantity
20	Display Board	30294000009	1
21	Cover Plate(Inlet and outlet Pipe)	26909452	1
22	Installation Supporting Frame(left)	01809401	1
23	Base Plate Assay	011007060035	1
24	Crankshaft	200023000001	2
25	Stepping Motor	1521240215	2
26	Electric Box Assay	100002063456	1
27	Capacitor CBB61S	3301074704	1
28	Main Board	300002060419	1
29	Left Side Plate	2690940007001	1
30	Terminal Board	42018000551	1
31	Terminal Board	42000100000204	1
32	Propeller Housing(Lower)	200230000001	3
33	O-Gasket of Bearing	76512404	1
34	Fan Bearing	76512210	1
35	Support Of Motor Bearing	01792408	1
36	Roller Wheel	700004500433	1
37	Clapboard Sub-Assay	01249400018	1
38	Joint Slack	73018731	1
39	Propeller Housing(Upper)	200230000002	3
40	Filter Sub-Assay	111001000001	2
41	Rear Side Plate Sub-Assay	017051000005	1
42	Fan Motor	15709408	1
43	Adhesive Cover (Drainage Pipe)	26909453	1
44	Centrifugal Fan	103003000001	3

Note:

The Finished Product Code may be changed due to the product improvement, please check the newest information with the sales rep.

Model:GU100ZD/A1-K

Product Code: ED020N2090



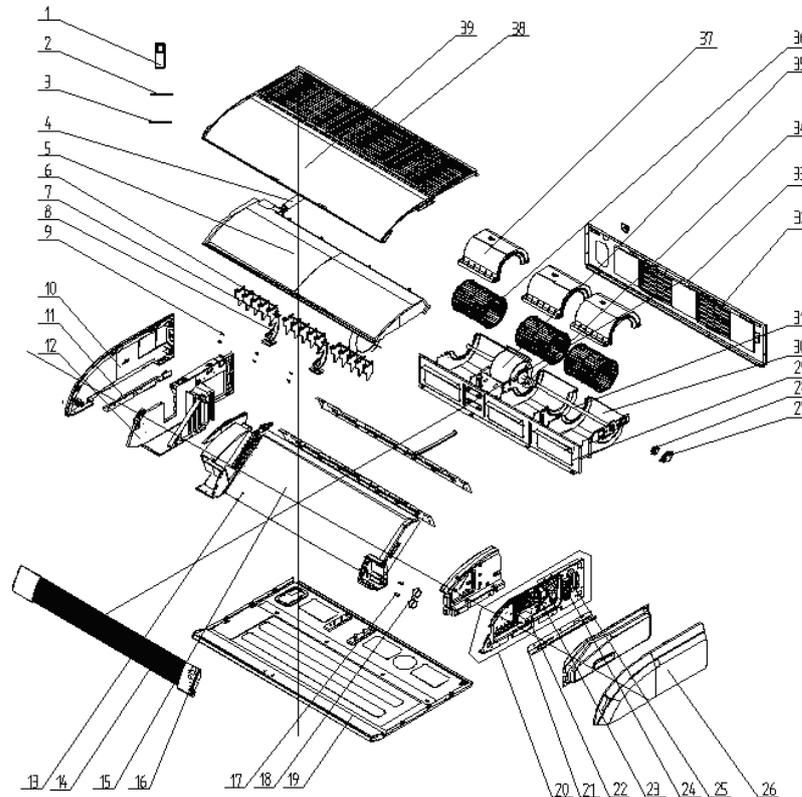
No.	Material Name	Finished Product Code	Quantity
1	Top Cover	01269400012P01	1
2	Drainage Pipe Sub-Assay	05235434	1
3	Swing Lever	10582009	3
4	Air Louver	20000700000101	15
5	Propeller Housing(Upper)	200230000002	3
6	Support	2690940007601	2
7	Centrifugal Fan	103003000001	3
8	Evaporator Assay	011001000453	1
9	Right Side Plate	26909400074	1
10	Right Side Plate	2690940007101	1
11	Installation Supporting Frame(Right)	01809402	1
12	Axile Bush	10542704	2
13	Front Panel	20000300000101	1
14	Guide Louver	20000450042201	1
15	Rotating Shaft 3	26909430	4
16	Display Board	30294000009	1
17	Crankshaft	200023000001	2
18	Stepping Motor	1521240215	2
19	Seat Board Sub-Assay	02229400033	1
20	Electric Box Assay	100002062427	1
21	Capacitor	3301074719	1

No.	Material Name	Finished Product Code	Quantity
22	Main Board	300002060419	1
23	Terminal Board	42018000551	1
24	Terminal Board	42000100000204	1
25	Left Side Plate	2690940007001	1
26	Installation Supporting Frame(Left)	01809401	1
27	Propeller Housing(Lower)	200230000001	3
28	Fan Bearing	76512210	1
29	O-Gasket of Bearing	76512404	1
30	Support Of Motor Bearing	01792408	1
31	Filter Sub-Assay	111001000001	2
32	Rear Side Plate Sub-Assay	017051000005	1
33	Roller Wheel	700004500433	1
34	Clapboard Assay	01249400029	1
35	Joint Slack	73018731	1
36	Fan Motor	150101000056	1
37	Ambient Temperature Sensor	3900012123	1
38	Temperature Sensor	3900019204	1
39	Remote Control	305001060020	1
40	Front Grill	2690940006601	3

Note:

The Finished Product Code may be changed due to the product improvement, please check the newest information with the sales rep.

Model:GU125ZD/A1-K **Product Code:** ED020N2110



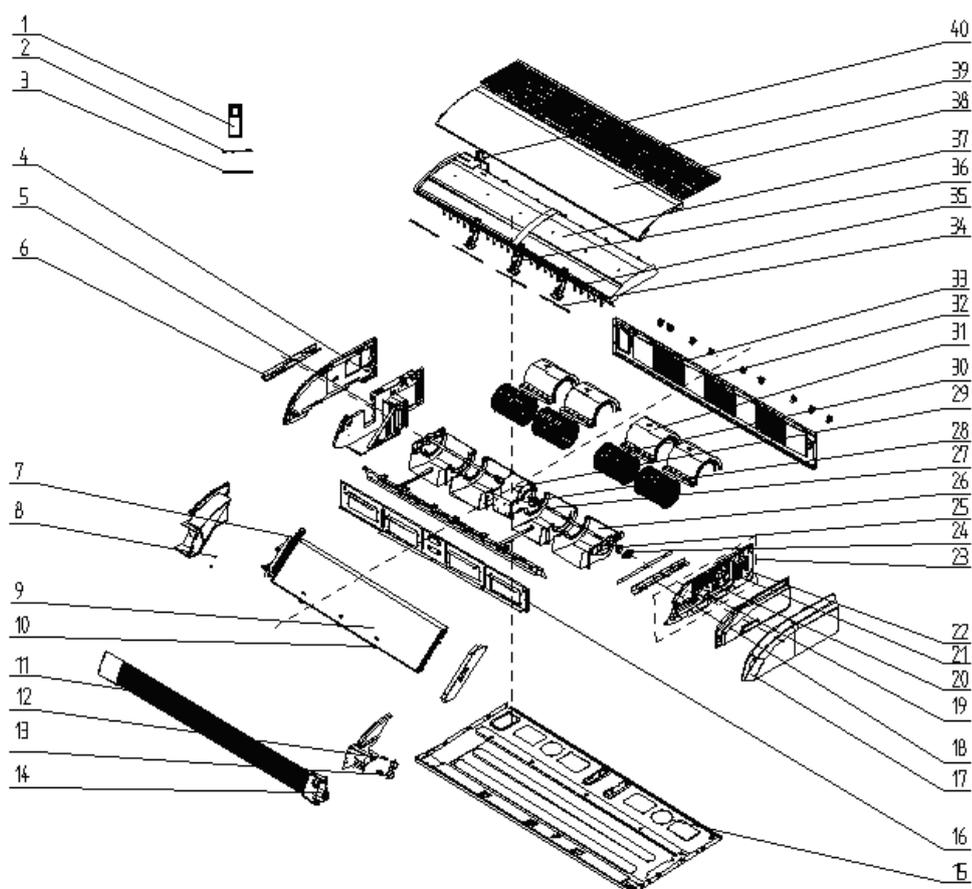
No.	Material Name	Finished Product Code	Quantity
1	Remote Control	305001060020	1
2	Temperature Sensor	390001923	1
3	Ambient Temperature Sensor	3900012123	1
4	Drainage Pipe Sub-Assay	05235434	1
5	Water Tray	200063000003	1
6	Swing Lever	10582009	3
7	Air Louver	20000700000101	15
8	Support	2690940007601	2
9	Rotating Shaft 3	26909430	4
10	Right Side Plate	2690940007101	1
11	Installation Supporting Frame(Right)	01809402	1
12	Right Side Plate	26909400074	1
13	Axile Bush	10542704	2
14	Guide Louver	20000450042201	2
15	Evaporator Assay	011001000609	1
16	Display Board	30294000009	1
17	Crankshaft	200023000001	2
18	Stepping Motor	1521240215	2
19	Seat Board Sub-Assay	02229400033	1
20	Electric Box Assay	100002062427	1
21	Installation Supporting Frame(Left)	01809401	1
22	Capacitor	3301074719	1
23	Main Board	300002060419	1
24	Terminal Board	42018000551	1
25	Terminal Board	42000100000204	1
26	Left Side Plate	2690940007001	1
27	Support Of Motor Bearing	01792408	1
28	O-Gasket of Bearing	76512404	1
29	Clapboard Sub-Assay	01249400018	1
30	Propeller Housing(Lower)	200230000001	3
31	Roller Wheel	700004500433	1
32	Filter Sub-Assay	111001000001	2
33	Rear Side Plate Sub-Assay	017051000005	1
34	Joint Slack	73018731	1
35	Fan Motor	150101000056	1
36	Centrifugal Fan	103003000001	3
37	Propeller Housing(Upper)	200230000002	3
38	Front Grill	2690940007201	1
39	Top Cover	01269400012P01	1

Note:

The Finished Product Code may be changed due to the product improvement, please check the newest information with the sales rep.

Model:GU140ZD/A1-K

Product Code: ED020N1880



No.	Material Name	Finished Product Code	Quantity
1	Remote Control	305001060020	1
2	Ambient Temperature Sensor	3900012123	1
3	Tube Sensor	3900020720G	1
4	Right Side Plate	2690940007101	1
5	Right Side Plate	269094000074	1
6	Installation Supporting Frame(Right)	01809402	1
7	Corrugated Pipe	0502511201	1
8	Axile Bush	10542704	2
9	Evaporator Assay	011001060184	1
10	Rotating Shaft 3	26909430	6
11	Guide Louver	20000450042601	2
12	Crankshaft	200023000001	2
13	Stepping Motor	1521240215	2
14	Display Board	30294000009	1
15	Seat Board Sub-Assay	02229400023	1
16	Clapboard Sub-Assay	01249400019	1
17	Left Side Plate	2690940007001	1
18	Installation Supporting Frame(Left)	01809401	1
19	Capacitor	3301074719	1
20	Main Board	300002060419	1

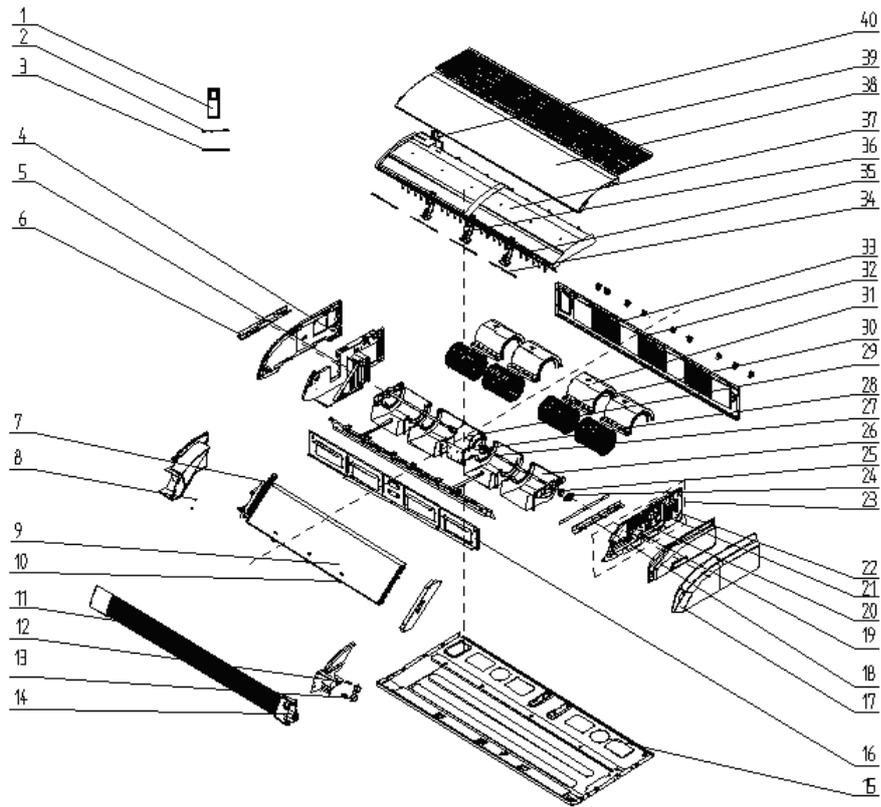
No.	Material Name	Finished Product Code	Quantity
21	Terminal Board	42018000551	1
22	Terminal Board	42000100000204	1
23	Electric Box Assay	100002063290	1
24	Support Of Motor Bearing	01792408	2
25	O-Gasket of Bearing	76512404	1
26	Propeller Housing(Lower)	200230000001	4
27	Roller Wheel	700004000001	2
28	Joint Slack	73018731	2
29	Fan Motor	15709405	1
30	Centrifugal Fan	103003000001	4
31	Propeller Housing(Upper)	200230000002	4
32	Rear Side Plate Sub-Assay	017051000006	1
33	Filter Sub-Assay	111001000001	3
34	Swing Lever	10582009	4
35	Air Louver	20000700000101	20
36	Support	2690940007601	3
37	Water Tray	200063000002	1
38	Top Cover	01269400013P01	1
39	Front Grill	2690940007201	1
40	Drainage Pipe Sub-Assay	05235434	1

Note:

The Finished Product Code may be changed due to the product improvement, please check the newest information with the sales rep.

Model:GU160ZD/A1-K

Product Code: ED020N1870



No.	Material Name	Finished Product Code	Quantity
1	Remote Control	305001060020	1
2	Ambient Temperature Sensor	3900012123	1
3	Tube Sensor	3900020720G	1
4	Right Side Plate	2690940007101	1
5	Right Side Plate	269094000074	1
6	Installation Supporting Frame(Right)	01809402	1
7	Corrugated Pipe	0502511201	1
8	Axile Bush	10542704	2
9	Evaporator Assay	011001060177	1
10	Rotating Shaft 3	26909430	6
11	Guide Louver	20000450042601	2
12	Crankshaft	200023000001	2
13	Stepping Motor	1521240215	2
14	Display Board	30294000009	1
15	Seat Board Sub-Assay	02229400023	1
16	Clapboard Sub-Assay	01249400019	1
17	Left Side Plate	2690940007001	1
18	Installation Supporting Frame(Left)	01809401	1
19	Capacitor	3301074719	1
20	Main Board	300002060419	1
21	Terminal Board	42018000551	1

No.	Material Name	Finished Product Code	Quantity
22	Terminal Board	42000100000204	1
23	Electric Box Assay	100002063290	1
24	Support Of Motor Bearing	01792408	2
25	O-Gasket of Bearing	76512404	1
26	Propeller Housing(Lower)	200230000001	4
27	Roller Wheel	700004000001	2
28	Joint Slack	73018731	2
29	Fan Motor	15709405	1
30	Centrifugal Fan	103003000001	4
31	Propeller Housing(Upper)	200230000002	4
32	Rear Side Plate Sub-Assay	017051000006	1
33	Filter Sub-Assay	111001000001	3
34	Swing Lever	10582009	4
35	Air Louver	20000700000101	20
36	Support	2690940007601	3
37	Water Tray	200063000002	1
38	Top Cover	01269400013P01	1
39	Front Grill	2690940007201	1
40	Drainage Pipe Sub-Assay	05235434	1

Note:

The Finished Product Code may be changed due to the product improvement, please check the newest information with the sales rep.

Appendices

1. Resistance/temperature lists of temperature sensors

1.1 Voltage list of 15 kΩ temperature sensors (including ODU and IDU temperature sensors)

Temperature (°C)	Resistance (kΩ)	Voltage (V)	Temperature (°C)	Resistance (kΩ)	Voltage (V)
-20	147.68	0.461	71	2.523	4.280
-19	136.05	0.497	72	2.439	4.301
-18	128.55	0.522	73	2.358	4.321
-17	121.58	0.549	74	2.280	4.340
-16	114.98	0.577	75	2.205	4.359
-15	108.75	0.606	76	2.133	4.378
-14	102.90	0.636	77	2.064	4.395
-13	97.43	0.667	78	1.997	4.412
-12	92.25	0.699	79	1.933	4.429
-11	87.38	0.733	80	1.871	4.445
-10	82.73	0.767	81	1.811	4.461
-9	78.45	0.803	82	1.754	4.476
-8	74.35	0.839	83	1.699	4.491
-7	70.50	0.877	84	1.646	4.506
-6	66.88	0.916	85	1.594	4.520
-5	63.46	0.956	86	1.544	4.533
-4	60.23	0.997	87	1.497	4.546
-3	57.18	1.039	88	1.451	4.559
-2	54.31	1.082	89	1.406	4.571
-1	51.59	1.126	90	1.364	4.583
0	49.03	1.171	91	1.322	4.595
1	46.60	1.218	92	1.283	4.606
2	44.31	1.265	93	1.244	4.617
3	42.14	1.313	94	1.207	4.628
4	40.10	1.361	95	1.171	4.638
5	38.15	1.411	96	1.136	4.648
6	36.32	1.462	97	1.103	4.658
7	34.58	1.513	98	1.070	4.667
8	32.94	1.564	99	1.040	4.676
9	31.38	1.617	100	1.010	4.685

Temperature (°C)	Resistance (kΩ)	Voltage (V)	Temperature (°C)	Resistance (kΩ)	Voltage (V)
10	29.90	1.670	101	0.980	4.693
11	28.51	1.724	102	0.952	4.702
12	27.18	1.778	103	0.925	4.710
13	25.93	1.833	104	0.899	4.717
14	24.74	1.888	105	0.873	4.725
15	23.60	1.943	106	0.848	4.732
16	22.53	1.998	107	0.824	4.740
17	21.51	2.054	108	0.802	4.746
18	20.54	2.110	109	0.779	4.753
19	19.63	2.166	110	0.758	4.760
20	18.76	2.222	111	0.737	4.766
21	17.93	2.278	112	0.717	4.772
22	17.14	2.334	113	0.697	4.778
23	16.39	2.389	114	0.678	4.784
24	15.68	2.445	115	0.660	4.789
25	15.00	2.500	116	0.642	4.795
26	14.36	2.555	117	0.625	4.800
27	13.74	2.610	118	0.608	4.805
28	13.16	2.663	119	0.592	4.810
29	12.60	2.717	120	0.577	4.815
30	12.08	2.770	121	0.561	4.820
31	11.57	2.822	122	0.547	4.824
32	11.09	2.874	123	0.532	4.829
33	10.64	2.926	124	0.519	4.833
34	10.19	2.977	125	0.505	4.837
35	9.78	3.027	126	0.492	4.841
36	9.38	3.076	127	0.480	4.845
37	9.00	3.125	128	0.467	4.849
38	8.64	3.173	129	0.456	4.853
39	8.30	3.220	130	0.444	4.856
40	7.97	3.266	131	0.433	4.860
41	7.650	3.311	132	0.422	4.863
42	7.352	3.355	133	0.412	4.866
43	7.065	3.399	134	0.401	4.870
44	6.791	3.442	135	0.391	4.873
45	6.529	3.484	136	0.382	4.876
46	6.278	3.525	137	0.372	4.879
47	6.038	3.565	138	0.363	4.882
48	5.809	3.604	139	0.355	4.885
49	5.590	3.643	140	0.346	4.887
50	5.380	3.680	141	0.338	4.890
51	5.179	3.717	142	0.330	4.893

Temperature (°C)	Resistance (kΩ)	Voltage (V)	Temperature (°C)	Resistance (kΩ)	Voltage (V)
52	4.986	3.753	143	0.322	4.895
53	4.802	3.787	144	0.314	4.897
54	4.625	3.822	145	0.307	4.900
55	4.457	3.855	146	0.299	4.902
56	4.295	3.887	147	0.292	4.904
57	4.139	3.919	148	0.286	4.907
58	3.990	3.949	149	0.279	4.909
59	3.848	3.979	150	0.272	4.911
60	3.711	4.008	151	0.266	4.913
61	3.580	4.037	152	0.260	4.915
62	3.454	4.064	153	0.254	4.917
63	3.332	4.091	154	0.248	4.919
64	3.217	4.117	155	0.243	4.920
65	3.105	4.143	156	0.237	4.922
66	2.999	4.167	157	0.232	4.924
67	2.896	4.191	158	0.227	4.926
68	2.797	4.214	159	0.222	4.927
69	2.702	4.237	160	0.217	4.929
70	2.611	4.259			

1.2 Voltage list of 20 kΩ pipeline temperature sensors (including temperature sensors for defroster, IDU and ODU pipes)

Temperature (°C)	Resistance (kΩ)	Voltage (V)	Temperature (°C)	Resistance (kΩ)	Voltage (V)
-30	361.8	0.262	66	3.998	4.167
-29	339.8	0.278	67	3.861	4.191
-28	319.2	0.295	68	3.729	4.214
-27	300	0.313	69	3.603	4.237
-26	282.2	0.331	70	3.481	4.259
-25	265.5	0.350	71	3.364	4.280
-24	249.9	0.371	72	3.252	4.301
-23	235.3	0.392	73	3.144	4.321
-22	221.6	0.414	74	3.04	4.340
-21	208.9	0.437	75	2.94	4.359
-20	196.9	0.461	76	2.844	4.378
-19	181.4	0.497	77	2.752	4.395
-18	171.4	0.522	78	2.663	4.412
-17	162.1	0.549	79	2.577	4.429
-16	153.3	0.577	80	2.495	4.445

Temperature (°C)	Resistance (kΩ)	Voltage (V)	Temperature (°C)	Resistance (kΩ)	Voltage (V)
-15	145	0.606	81	2.415	4.461
-14	137.2	0.636	82	2.339	4.476
-13	129.9	0.667	83	2.265	4.491
-12	123	0.699	84	2.194	4.506
-11	116.5	0.732	85	2.125	4.520
-10	110.3	0.767	86	2.059	4.533
-9	104.6	0.803	87	1.996	4.546
-8	99.13	0.839	88	1.934	4.559
-7	94	0.877	89	1.875	4.571
-6	89.17	0.916	90	1.818	4.583
-5	84.61	0.956	91	1.763	4.595
-4	80.31	0.997	92	1.71	4.606
-3	76.24	1.039	93	1.658	4.617
-2	72.41	1.082	94	1.609	4.628
-1	68.79	1.126	95	1.561	4.638
0	65.37	1.171	96	1.515	4.648
1	62.13	1.218	97	1.47	4.658
2	59.08	1.265	98	1.427	4.667
3	56.19	1.313	99	1.386	4.676
4	53.46	1.361	100	1.346	4.685
5	50.87	1.411	101	1.307	4.693
6	48.42	1.462	102	1.269	4.702
7	46.11	1.513	103	1.233	4.710
8	43.92	1.564	104	1.198	4.717
9	41.84	1.617	105	1.164	4.725
10	39.87	1.670	106	1.131	4.732
11	38.01	1.724	107	1.099	4.740
12	36.24	1.778	108	1.069	4.746
13	34.57	1.832	109	1.039	4.753
14	32.98	1.888	110	1.01	4.760
15	31.47	1.943	111	0.9825	4.766
16	30.04	1.998	112	0.9556	4.772
17	28.68	2.054	113	0.9295	4.778
18	27.39	2.110	114	0.9043	4.784
19	26.17	2.166	115	0.8799	4.789
20	25.01	2.222	116	0.8562	4.795
21	23.9	2.278	117	0.8333	4.800
22	22.85	2.334	118	0.8111	4.805
23	21.85	2.389	119	0.7895	4.810
24	20.9	2.445	120	0.7687	4.815
25	20	2.500	121	0.7485	4.820
26	19.14	2.555	122	0.7289	4.824

Temperature (°C)	Resistance (kΩ)	Voltage (V)	Temperature (°C)	Resistance (kΩ)	Voltage (V)
27	18.32	2.610	123	0.7099	4.829
28	17.55	2.663	124	0.6915	4.833
29	16.8	2.717	125	0.6736	4.837
30	16.1	2.770	126	0.6563	4.841
31	15.43	2.822	127	0.6395	4.845
32	14.79	2.874	128	0.6232	4.849
33	14.18	2.926	129	0.6074	4.853
34	13.59	2.977	130	0.5921	4.856
35	13.04	3.027	131	0.5772	4.860
36	12.51	3.076	132	0.5627	4.863
37	12	3.125	133	0.5487	4.866
38	11.52	3.173	134	0.5351	4.870
39	11.06	3.220	135	0.5219	4.873
40	10.62	3.266	136	0.509	4.876
41	10.2	3.311	137	0.4966	4.879
42	9.803	3.355	138	0.4845	4.882
43	9.42	3.399	139	0.4727	4.885
44	9.054	3.442	140	0.4613	4.887
45	8.705	3.484	141	0.4502	4.890
46	8.37	3.525	142	0.4394	4.893
47	8.051	3.565	143	0.4289	4.895
48	7.745	3.604	144	0.4187	4.897
49	7.453	3.643	145	0.4088	4.900
50	7.173	3.680	146	0.3992	4.902
51	6.905	3.717	147	0.3899	4.904
52	6.648	3.753	148	0.3808	4.907
53	6.403	3.787	149	0.3719	4.909
54	6.167	3.822	150	0.3633	4.911
55	5.942	3.855	151	0.3549	4.913
56	5.726	3.887	152	0.3468	4.915
57	5.519	3.919	153	0.3389	4.917
58	5.32	3.949	154	0.3312	4.919
59	5.13	3.979	155	0.3237	4.920
60	4.948	4.008	156	0.3164	4.922
61	4.773	4.037	157	0.3093	4.924
62	4.605	4.064	158	0.3024	4.926
63	4.443	4.091	159	0.2956	4.927
64	4.289	4.117	160	0.2891	4.929
65	4.14	4.143			

1.3 Voltage list of 50 kΩ discharge temperature sensors (including discharge air temperature sensor)

Temperature (°C)	Resistance (kΩ)	Voltage (V)	Temperature (°C)	Resistance (kΩ)	Voltage (V)
-30	911.56	0.054	61	11.736	2.300
-29	853.66	0.058	62	11.322	2.345
-28	799.98	0.062	63	10.925	2.389
-27	750.18	0.066	64	10.544	2.434
-26	703.92	0.070	65	10.178	2.478
-25	660.93	0.075	66	9.8269	2.522
-24	620.94	0.079	67	9.4896	2.565
-23	583.72	0.084	68	9.1655	2.609
-22	549.04	0.089	69	8.9542	2.638
-21	516.71	0.095	70	8.5551	2.695
-20	486.55	0.101	71	5.9676	2.737
-19	458.4	0.107	72	7.9913	2.779
-18	432.1	0.113	73	7.7257	2.821
-17	407.51	0.120	74	7.4702	2.862
-16	384.51	0.127	75	7.2245	2.903
-15	362.99	0.134	76	6.9882	2.943
-14	342.83	0.142	77	6.7608	2.983
-13	323.94	0.150	78	6.542	3.023
-12	306.23	0.158	79	6.3315	3.062
-11	289.61	0.167	80	6.1288	3.100
-10	274.02	0.176	81	5.9336	3.138
-9	259.37	0.186	82	5.7457	3.175
-8	245.61	0.196	83	5.5647	3.212
-7	232.67	0.206	84	5.3903	3.249
-6	220.5	0.217	85	5.2223	3.285
-5	209.05	0.228	86	5.0605	3.320
-4	195.97	0.240	87	4.9044	3.355
-3	188.12	0.252	88	4.7541	3.389
-2	178.65	0.265	89	4.6091	3.423
-1	169.68	0.278	90	4.4693	3.456
0	161.02	0.292	91	4.3345	3.488
1	153	0.307	92	4.2044	3.520
2	145.42	0.322	93	4.0789	3.551
3	135.96	0.337	94	3.9579	3.582
4	131.5	0.353	95	3.841	3.612
5	126.17	0.367	96	3.7283	3.642
6	119.08	0.387	97	3.6194	3.671
7	113.37	0.405	98	3.5143	3.700

Temperature (°C)	Resistance (kΩ)	Voltage (V)	Temperature (°C)	Resistance (kΩ)	Voltage (V)
8	107.96	0.424	99	3.4128	3.728
9	102.85	0.443	100	3.3147	3.755
10	98.006	0.463	101	3.22	3.782
11	93.42	0.483	102	3.1285	3.809
12	89.075	0.505	103	3.0401	3.834
13	84.956	0.527	104	2.9547	3.860
14	81.052	0.549	105	2.8721	3.884
15	77.349	0.572	106	2.7922	3.909
16	73.896	0.596	107	2.715	3.932
17	70.503	0.621	108	2.6404	3.956
18	67.338	0.647	109	2.5682	3.978
19	64.333	0.673	110	2.4983	4.001
20	61.478	0.700	111	2.4308	4.022
21	58.766	0.727	112	2.3654	4.044
22	56.189	0.755	113	2.3021	4.064
23	53.738	0.784	114	2.2409	4.085
24	51.408	0.814	115	2.1816	4.105
25	49.191	0.845	116	2.1242	4.124
26	47.082	0.876	117	2.0686	4.143
27	45.074	0.908	118	2.0148	4.162
28	43.163	0.941	119	1.9626	4.180
29	41.313	0.974	120	1.9123	4.197
30	39.61	1.008	121	1.8652	4.214
31	37.958	1.043	122	1.8158	4.232
32	36.384	1.078	123	1.7698	4.248
33	34.883	1.114	124	1.7253	4.264
34	33.453	1.151	125	1.6821	4.280
35	32.088	1.188	126	1.6402	4.295
36	30.787	1.226	127	1.5996	4.310
37	29.544	1.264	128	1.5602	4.325
38	28.359	1.303	129	1.522	4.340
39	27.227	1.343	130	1.485	4.354
40	26.147	1.383	131	1.449	4.367
41	25.114	1.424	132	1.4141	4.381
42	24.128	1.465	133	1.3803	4.394
43	23.186	1.507	134	1.3474	4.406
44	22.286	1.549	135	1.3155	4.419
45	21.425	1.591	136	1.2846	4.431
46	20.601	1.634	137	1.2545	4.443
47	19.814	1.677	138	1.2233	4.455
48	19.061	1.721	139	1.1969	4.466
49	18.34	1.764	140	1.1694	4.477

Temperature (°C)	Resistance (kΩ)	Voltage (V)	Temperature (°C)	Resistance (kΩ)	Voltage (V)
50	17.651	1.808	141	1.1476	4.485
51	16.99	1.853	142	1.1166	4.498
52	16.358	1.897	143	1.0913	4.508
53	15.753	1.942	144	1.0667	4.518
54	15.173	1.986	145	1.0429	4.528
55	14.618	2.031	146	1.0197	4.537
56	14.085	2.076	147	0.9971	4.547
57	13.575	2.121	148	0.9752	4.556
58	13.086	2.166	149	0.9538	4.565
59	12.617	2.211	150	0.9331	4.573
60	12.368	2.235			

2. Temperature/Pressure List of Refrigerant

R410A							
Pressure	Temperature		Pressure	Temperature		Pressure	Temperature
Kpa	°C		Kpa	°C		Kpa	°C
100	-51.909		1250	14.153		2400	38.688
150	-43.635		1300	15.52		2450	39.529
200	-37.323		1350	16.847		2500	40.358
250	-32.15		1400	18.138		2550	41.173
300	-27.731		1450	19.395		2600	41.977
350	-23.85		1500	20.619		2650	42.769
400	-20.378		1550	21.813		2700	43.55
450	-17.225		1600	22.978		2750	44.32
500	-14.331		1650	24.116		2800	45.079
550	-11.65		1700	25.229		2850	45.828
600	-9.1503		1750	26.317		2900	46.567
650	-6.8046		1800	27.382		2950	47.296
700	-4.5925		1850	28.425		3000	48.015
750	-2.4975		1900	29.447		3050	48.726
800	-0.50613		1950	30.448		3100	49.428
850	1.393		2000	31.431		3150	50.121
900	3.2092		2050	32.395		3200	50.806
950	4.9506		2100	33.341		3250	51.482
1000	6.624		2150	34.271		3300	52.15
1050	8.2352		2200	35.184		3350	52.811
1100	9.7896		2250	36.082		3400	53.464
1150	11.291		2300	36.965		3450	54.11
1200	12.745		2350	37.834		3500	54.748

3. Operation Tools

The following tools will be used: 1) Liquid-level gauge; 2) Screwdriver; 3) Electric driven rotary hammer; 4) Drill; 5) Pipe expander; 6) Torque wrench; 7) Open-end wrench; 8) Pipe cutter; 9) Leak detector; 10) Vacuum pump; 11) Pressure gauge; 12) Universal meter; 13) Hexagon wrench; 14) Tapeline.



GREE ELECTRIC APPLIANCES, INC. OF ZHUHAI 519070

Add: West Jinji Rd, Qianshan Zhuhai, Guangdong, China

Tel: (+86-756)8522218

Fax: (+86-756)8669426

E-mail: gree@gree.com.cn www.gree.com

JF00303881