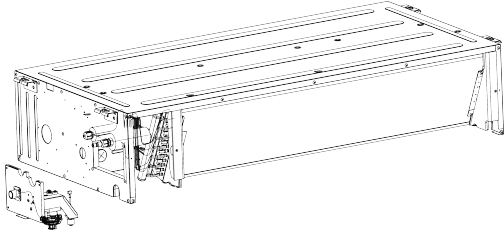
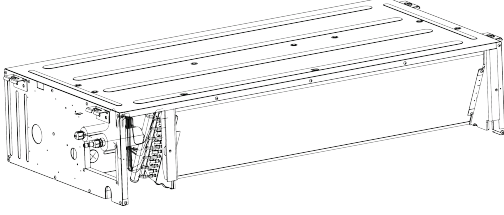
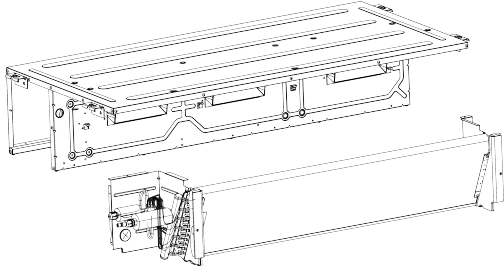
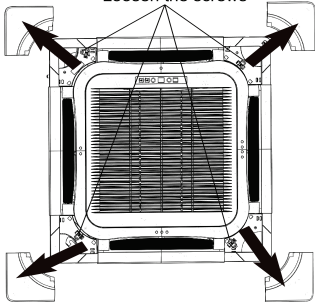
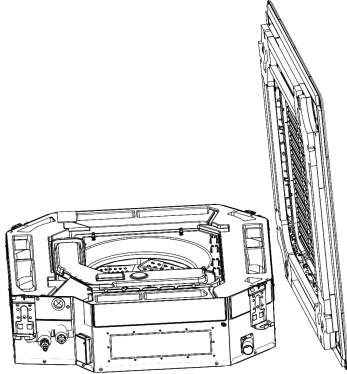
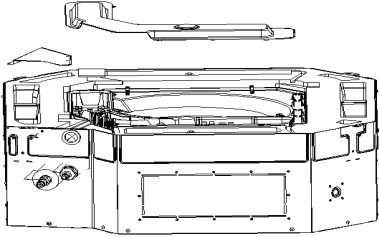
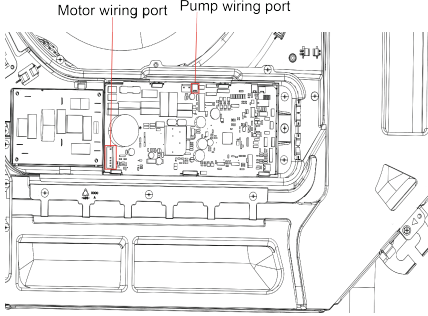
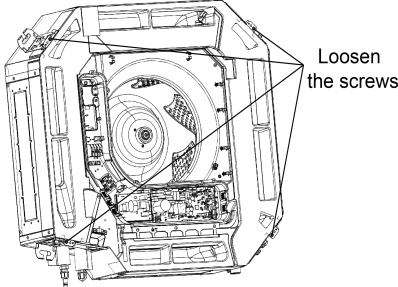
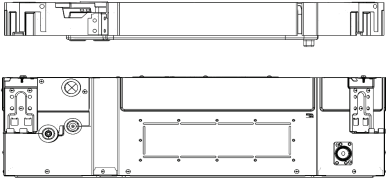
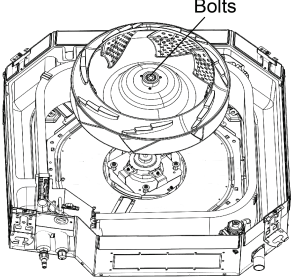
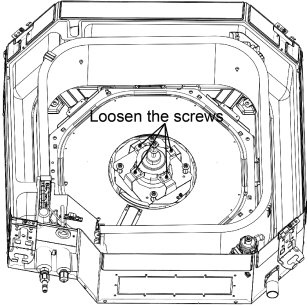
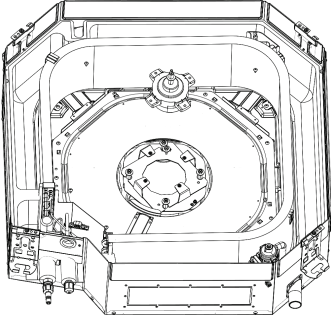
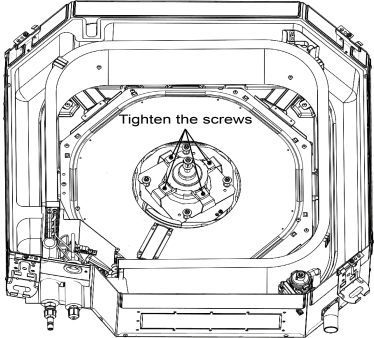
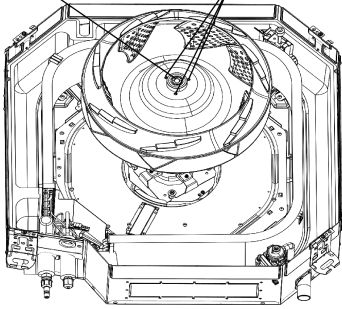
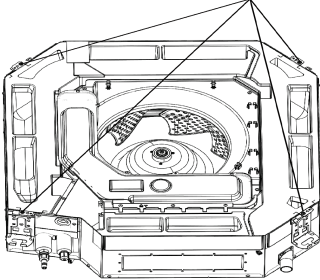


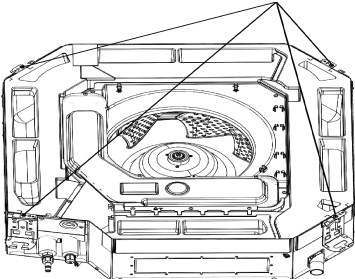
Removal of evaporator		
Note: Make sure power is cut off. Take good care of the copper pipe and aluminum fins. If the removal takes a long time, please put the copper pipe under pressure.		
Step	Picture	Work instruction
1.Remove the screws on the side plate of evaporator.		Remove the screws of evaporator and the screws that connect the upper cover plate to the left and right side plates.
2.Remove the sealing plate the connects to the evaporator valve and the screws that connect to the flange.		Remove the screws of the sealing plate of valve. Then remove the sealing plate of valve. Remove the screws that connect the evaporator to the flange.
3.Remove the evaporator.		Take off the evaporator. The removed evaporator is as shown in the picture.

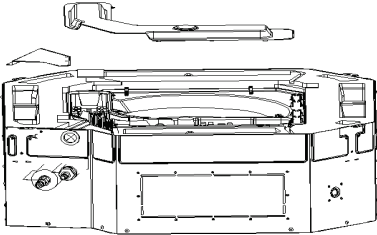
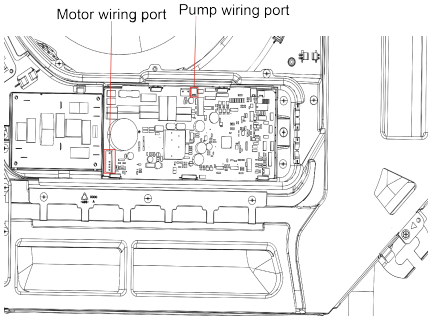
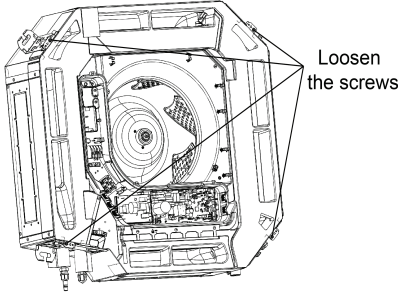
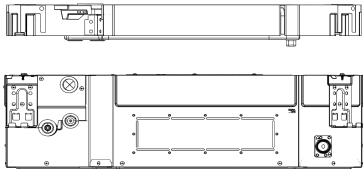
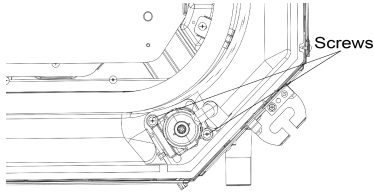
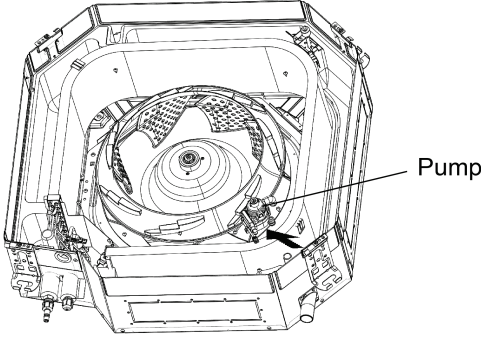
4.2.2.2 Cassette Type Unit

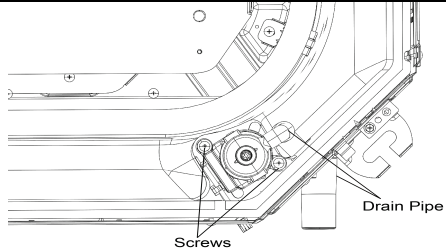
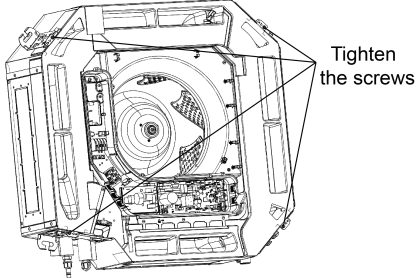
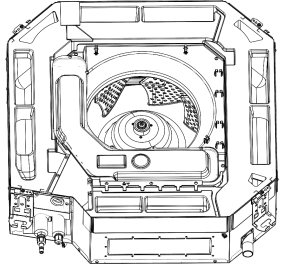
Removal of fan and motor		
Note: Before removing the motor, power must be cut off.		
Step	Picture	Work instruction
1.Remove the front panel.		<p>Turn off the power supply of indoor unit.</p> <p>Push the 4 corner plates in the directions shown by the arrows. Loosen the screws and remove the front panel.</p>
		
2.Remove the cover of electric box and the clamp of power cord.		<p>Twist off the screws. Open the cover of electric box and the clamp of power cord.</p>
3.Remove the motor wire and water pump wire.		<p>Remove the motor wire and water pump of the electric box.</p>

Removal of fan and motor		
Note: Before removing the motor, power must be cut off.		
Step	Picture	Work instruction
4.Remove the water tray.		Loosen the screws in the 4 corners and then remove the water tray.
		
5.Remove the fan.		Use a screwdriver to remove the clamping band of motor. Then remove the fan.
6.Remove motor.		Use a screwdriver to unscrew the 4 screws of motor. Then remove the motor.
		

Removal of fan and motor		
Note: Before removing the motor, power must be cut off.		
Step	Picture	Work instruction
7. Replace and install the motor.		<p>Remove the motor from motor support and then replace with a new motor.</p> <p>Tighten the 4 screws of motor with a screwdriver.</p>
8. Install the fan.		<p>Direct the hole of fan to the motor shaft and then mount on the fan.</p> <p>Tighten the clamping band of motor with a wrench.</p>
9. Install the water tray.		<p>Direct the 4 corners of water tray to the 4 corners of the unit and then press them. Use a screwdriver to tighten the screws in the 4 corners.</p> <p>Connect the power cord and water pump wire.</p> <p>Place back the cover of electric box and the clamp of power cord.</p> <p>Then tighten the screws with a screwdriver.</p>

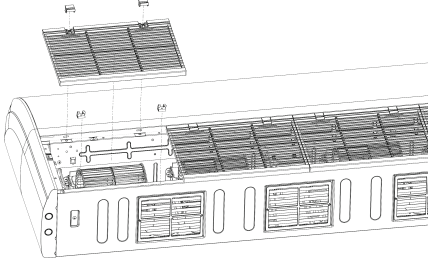
Removal and installation of drain pump		
Step	Picture	Work instruction
1. After removing the front panel as instructed above, loosen the screws of the water tray.		<p>Use a screwdriver to loosen the screws of water tray.</p>

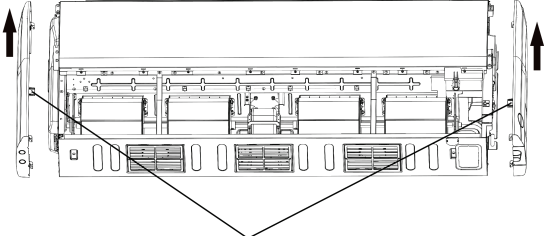
Removal and installation of drain pump		
Step	Picture	Work instruction
2.Remove the cover of electric box and the clamp of power cord.		Twist off the screws and open the cover of electric box and the clamp of power cord.
3.Remove the motor wire and water pump wire.		Remove the motor wire and water pump wire in the electric box.
4.Remove the water tray.		Loosen the screws in the 4 corners and then remove the water tray.
		
5.Remove the drain pipe and loosen the screws of water pump.		Take out the drain pipe and use a screwdriver to loosen the screws of water pump.
6.Remove and replace the pump.		Remove the pump and replace with a new one.

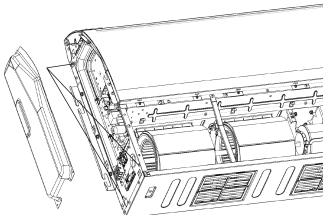
Removal and installation of drain pump		
Step	Picture	Work instruction
7. Connect the drain pipe and tighten the screws of water pump.		Connect the drain pipe and tighten the screws of water pump.
8. Install the water tray and tighten the screws.		Direct the 4 corners of the water tray to the 4 corners of the unit and press them. Then use a screwdriver to tighten the screws.
9. Connect the water pump wire and power cord, and then put back the cover of electric box and the clamp of power cord.		Connect the water pump wire and motor wire according to the wiring diagram. Put back the cover of electric box and the clamp of power cord. Then tighten the screws.

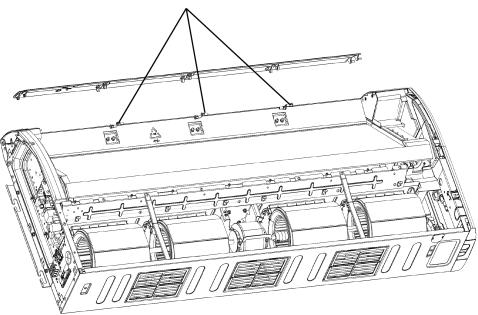
4.2.2.3 Floor Ceiling Unit

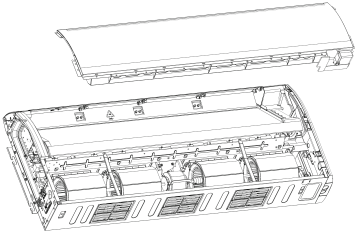
Take model GU160ZD/A-K as an example.

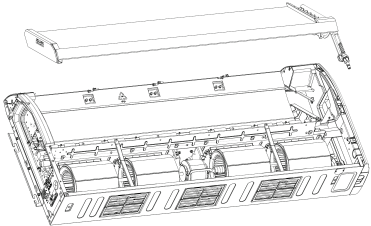
Removal of front grill		
Note: Before removal, make sure power is cut off. During the removal procedure, take good care of all the components. Do not place the filter near any heat source.		
Step	Picture	Work instruction
Remove the sub-assembly of front grill.		Twist off the 2 hooks of the grill and the screws of the hooks. Open the grill and remove 2 lower clamps. Then remove the grill.

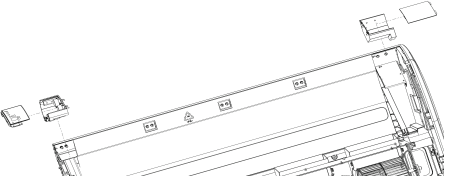
Remove the right and left decorative boards		
Note: Before removal, make sure power is cut off. During the removal procedure, take good care of all the components. Do not scratch the appearance components.		
Step	Picture	Work instruction
Remove the left and right panels.		Use a screwdriver to loosen the screws, as shown in the picture. Then pull the right and left panels upward (Lines in the picture indicate the positions of screws).

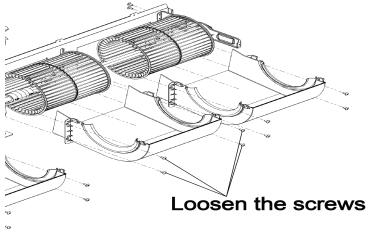
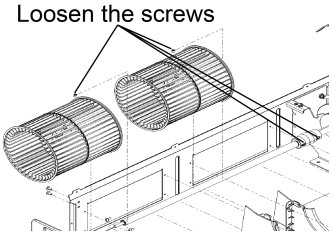
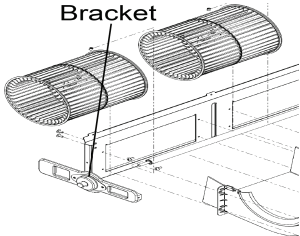
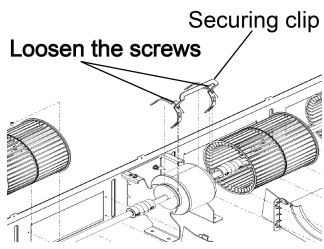
Removal of electric box assembly		
Note: Before removal, make sure power is cut off. During the removal procedure, take good care of all the components, especially the components in electric box. Protect it from water and collision.		
Step	Picture	Work instruction
Remove the electric box.		Unscrew 34 screws as shown in the left picture and then remove the electric box.

Removal of air guide louver		
Note: Before removal, make sure power is cut off. During the removal procedure, take good care of all the components, especially the connectors of air guide louver.		
Step	Picture	Work instruction
Remove the air guide louver assembly.		Remove the air guide louver from its supporting assembly. Then take off the connectors from the swing motor. (As shown in the picture, the lines indicate the supporting assembly).

Removal of water tray		
Note: Before removal, make sure power is cut off. During the removal procedure, take good care of all the components.		
Step	Picture	Work instruction
Remove the water tray.		Remove the water tray.

Removal of evaporator		
Note: Make sure power is cut off. Take good care of the copper pipe and aluminum fins. If the removal takes a long time, seal the copper pipe.		
Step	Picture	Work instruction
Remove the evaporator assembly.		Twist off the 6 screws of the evaporator, 3 screws of the plate board of water releasing flume, and 2 screws of the water tray. Then remove the evaporator.

Removal of display panel and fan assembly		
Note: Before removal, make sure power is cut off. During the removal procedure, take good care of all the components.		
Step	Picture	Work instruction
Remove the display panel and fan assembly.		First remove the display panel, next the bracket and then the swing motor mounting plate.

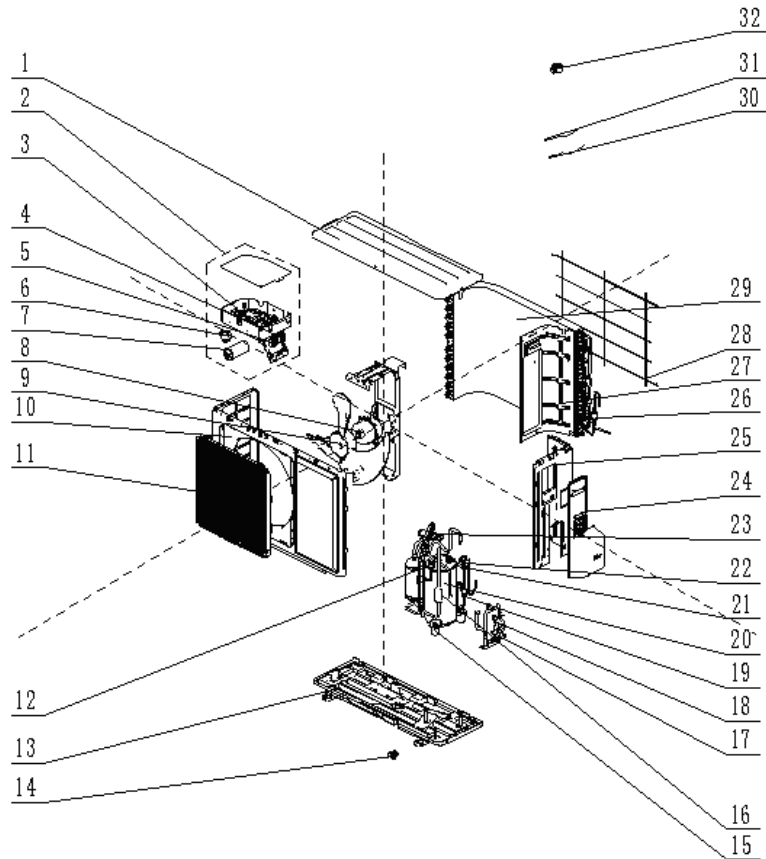
Removal of fan and motor		
Note: Before removal, make sure power is cut off. During the removal procedure, take good care of all the components, especially the screws of fan.		
Step	Picture	Work instruction
1.Remove the volutes.	 <p>Loosen the screws</p>	Press the retaining ring at the joint of front and rear volutes. Then pull up the front volute. Then loosen the screws of the rear volute. Lift up the retaining ring of the rear volute and take it off. (As shown in the picture, the lines indicate the screws on both sides of the volutes.
2.Remove the fan.	 <p>Loosen the screws</p>	Loosen the 2 screws of the coupler. Take out the shaft and axial flow fan. Loosen the screws of axial flow fan and remove the axial flow fan.
3.Remove the bearing fixed plate.	 <p>Bracket</p>	Twist off the screws and nuts of bracket. Then remove the bracket.
4.Remove the motor.	 <p>Loosen the screws</p> <p>Securing clip</p>	Loosen the 2 screws of the motor securing clip. Remove the motor securing clip and its assembly.

4.5 Explosive View and Lists of Parts

4.5.1 ODU Explosive View and Lists of Parts

Model: GU50W/A1-K

Product Code: CF021W2630

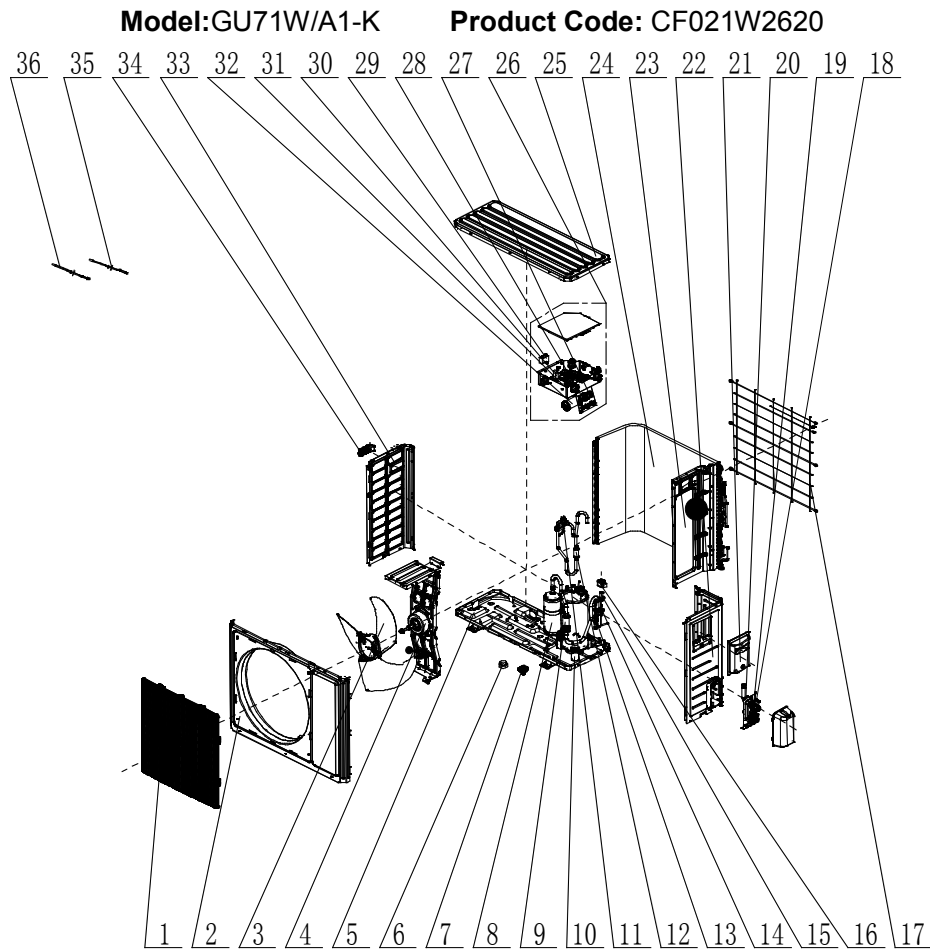


No.	Material Name	Finished Product Code	Quantity
1	Coping	01253107	1
2	Electric Box Assy	012017060058	1
3	Main Board	300027060279	1
4	Terminal Board	3301074702	1
5	Terminal Board	3301074702	1
6	Capacitor	3301074702	1
7	Capacitor	3300008113	1
8	Fan Motor	1501306748	1
9	Axial Flow Fan	10333004	1
10	Front Panel	0153303204	1
11	Front Grill	22413043	3
12	Pressure Protect Switch	4602000603	1
13	Chassis Sub-Assy	017000060300	1

No.	Material Name	Finished Product Code	Quantity
14	Drainage Joint	06123401	1
15	Compressor Gasket	009012000004	1
16	Silencer	07245007	1
17	Valve	07100003	1
18	Valve	07100006	1
19	Strainer A	07210022	1
20	Compressor and Fittings	009001000074	1
21	Electronic Expansion Valve	43042800063	1
22	Electric Expand Valve Fitting	4300034401	1
23	4-Way Valve	030152060266	1
24	Big Handle	262334332	1
25	Right Side Plate	0130317201	1
26	Strainer	07225088	1
27	Clapboard	012334191	1
28	Rear Grill	01473057	1
29	Condenser Assy	01133179	1
30	Temperature Sensor	3900028033	1
31	Temperature Sensor	3900028033	1
32	4 Way Valve Coil	4300040087	1

Note:

Finished Product Code may be changed due to the product improvement, please check the newest information with the sales rep.



No.	Material Name	Finished Product Code	Quantity
1	Front Grill	22415010	1
2	Front Panel	01535013	1
3	Axial Flow Fan	10335008	1
4	Fan Motor	1501506311	1
5	Chassis Sub-assy	017000000171	1
6	Drainage Hole Cap	06813401	3
7	Drainage Joint	06123401	1
8	Compressor and Fittings	009001000217	1
9	Bidirection Strainer	0721212101	1
10	Compressor Gasket	00901200008	1
11	Pressure Protect Switch	4602000603	1
12	Silencer	07245007	1
13	Furcate Filter	07213043	1
14	Strainer	0721304401	1
15	Electronic Expansion Valve	43005016	1
16	Electric Expand Valve Fitting	4300034401	1
17	Rear Grill	01473043	1
18	Cut off Valve	07133157	1
19	Cut off Valve	071302391	1
20	Valve Support Sub-Assy	01713098	1

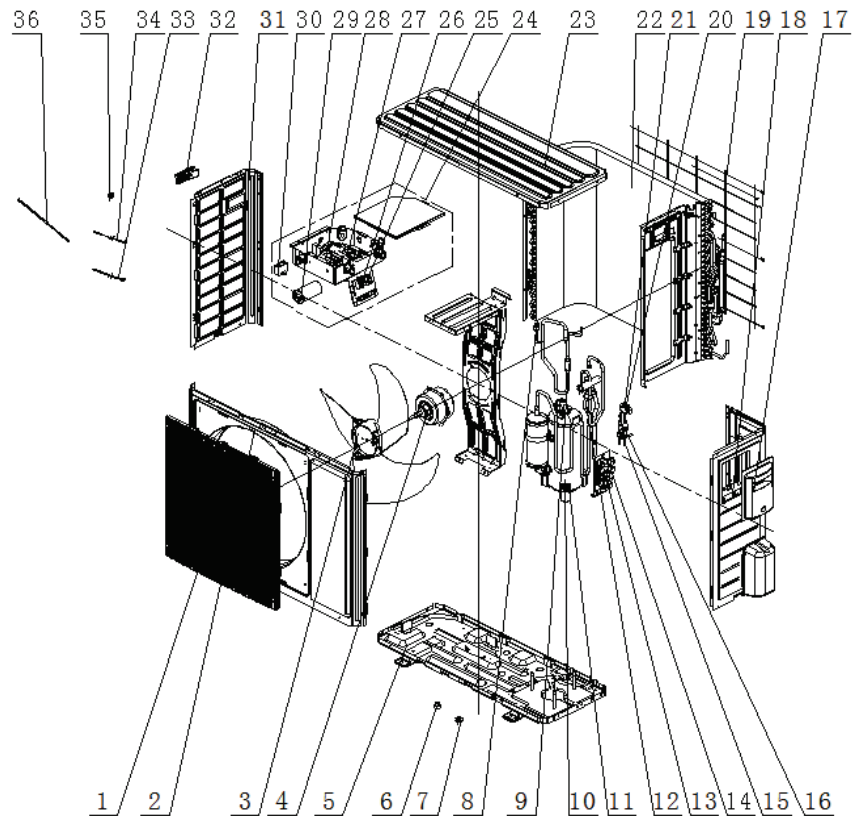
No.	Material Name	Finished Product Code	Quantity
21	Handle	2623525404	1
22	Right Side Plate	0130509402	1
23	Clapboard Sub-Assy	017021060207	1
24	Condenser Assy	011002060544	1
25	Coping	012049000007	1
26	Electric Box Assy	100002064700	1
27	Terminal Board	422000000007	1
28	Terminal Board	42000100000101	1
29	Capacitor	3300008113	1
30	Main Board	300027060279	1
31	AC Contactor	44010245	1
32	Capacitor	3301074706	1
33	Left Side Plate	01305093	1
34	Handle	26233053	1
35	Temperature Sensor	3900007207	1
36	Temperature Sensor	3900800004902G	1

Note:

The Finished Product Code may be changed due to the product improvement, please check the newest information with the sales rep.

Model: GU85W/A1-K

Product Code: CF021W2650

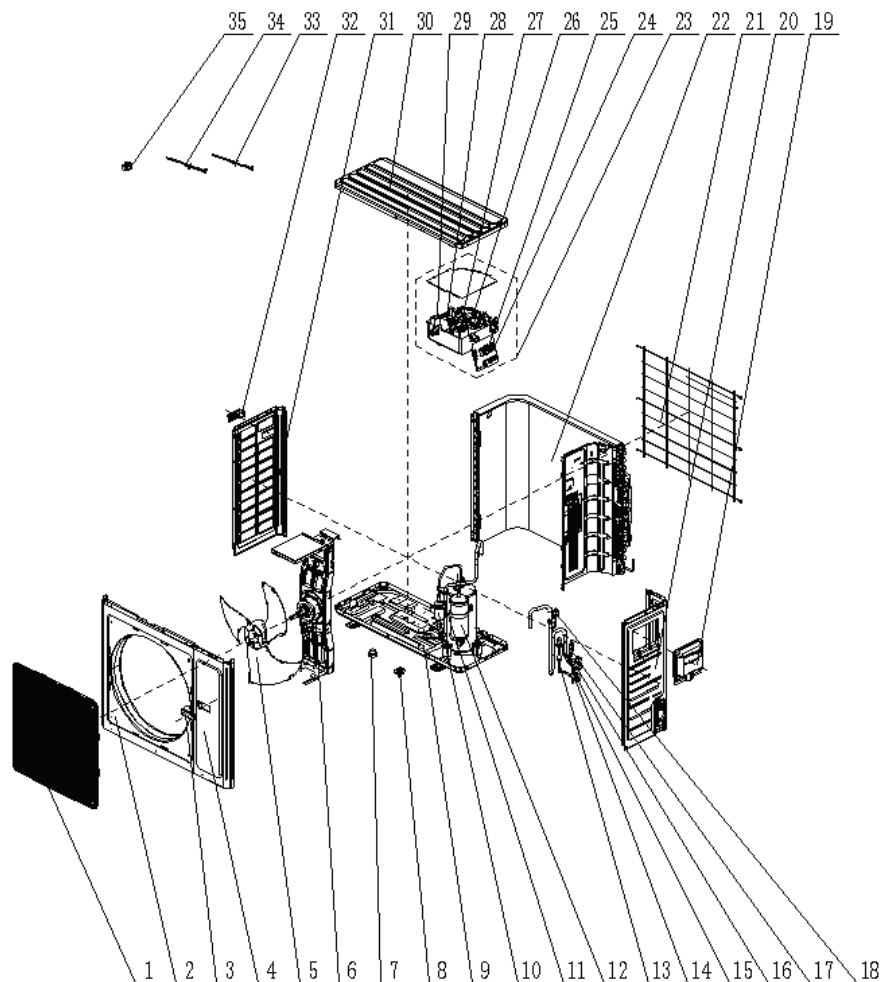


No.	Material Name	Finished Product Code	Quantity
1	Front Grill	22415010	1
2	Front Panel	01535013	1
3	Axial Flow Fan	10335008	1
4	Fan Motor	1501506311	1
5	Chassis Sub-Assy	017000000171	1
6	Drainage Hole Cap	06813401	3
7	Drainage Joint	06123401	1
8	Pressure Protect Switch	4602000603	1
9	Silencer	0724300102	1
10	Compressor And Fittings	009001060051	1
11	Compressor Gasket	00901200008	1
12	4-Way Valve	4300008201	1
13	Cut Off Valve	07133157	1
14	Cut Off Valve	071302391	1
15	Furcate Filter	07213043	1
16	Strainer	0721304401	1
17	Handle	2623525404	1
18	Right Side Plate	0130509402	1
19	Rear Grill	01473043	1
20	Electric Expand Valve Fitting	4300034401	1
21	Electronic Expansion Valve	43005016	1

No.	Material Name	Finished Product Code	Quantity
22	Condenser Assy	011002060622	1
23	Coping	012049000007	1
24	Electric Box Assy	100002064700	1
25	Terminal Board	42000100000101	1
26	Terminal Board	422000000007	1
27	Main Board	300027060279	1
28	AC Contactor	44010245	1
29	Capacitor	3301074706	1
30	Capacitor	3300008107	1
31	Left Side Plate	01305093	1
32	Handle	26233053	1
33	Temperature Sensor	3900800004902G	1
34	Temperature Sensor	3900007207	1
35	Magnet Coil	4300040045	1
36	Electrical Heater	7651521241	1

Model:GU100W/A1-M

Product Code: CF021W2640



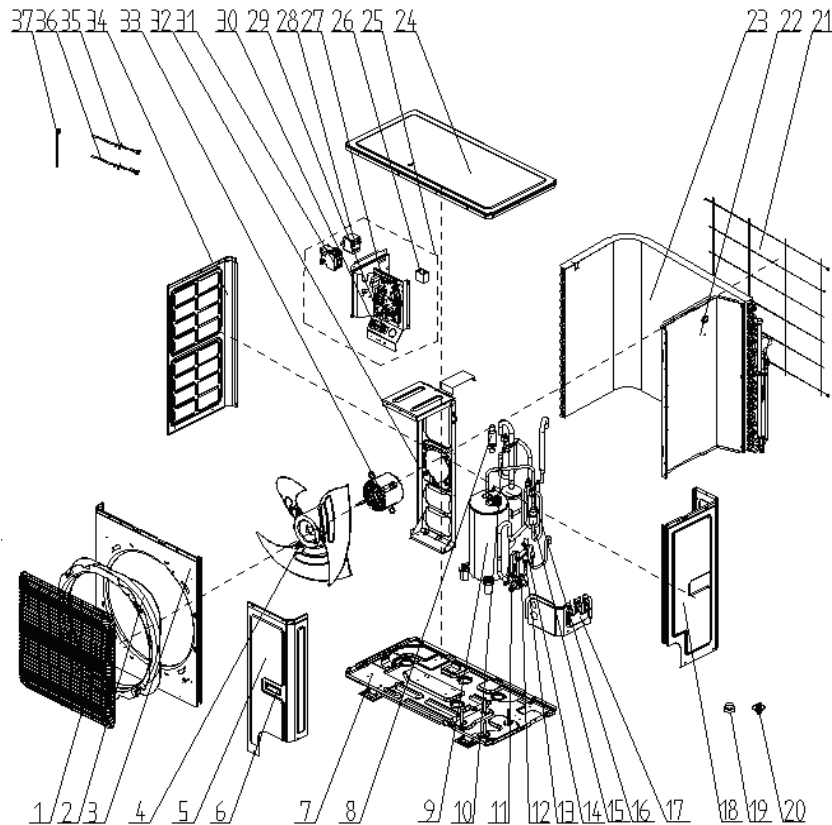
No.	Material Name	Finished Product Code	Quantity
1	Rear Grill	01475013	1
2	Cabinet	01435004	1
3	Handle	26233053	1
4	Front Side Plate	01305086	1
5	Axial Flow Fan	10335014	1
6	Drainage Hole Cap	06813401	3
7	Drainage Joint	06123401	3
8	Chassis Sub-Assy	017000000274	1
9	Fan Motor	15010100000112	1
10	Compressor and Fittings	009001060152	1
11	Compressor Gasket	00901200008	1
12	Cut Off Valve	071302391	1
13	Cut Off Valve	07133157	1
14	Right Side Plate	0130504401	1
15	Big Handle	26235001	1
16	Magnet Coil	4300040045	1
17	Electric Expand Valve Fitting	4300034419	1
18	Temperature Sensor	3900007205	1
19	Temperature Sensor	3900028020G	1
20	Front Grill	22415011	1
21	Condenser Assy	0112520030701	1
22	Strainer	0721304401	1
23	Strainer	07225088	1
24	Strainer	0721212101	1
25	Electronic Expansion Valve	072009000018	1
26	Pressure Protect Switch	4602000603	1
27	4-way Valve	4300008201	1
28	Coping	01255020	1
29	Pressure Protect Switch	46020007	1
30	Silencer	0724300102	1
31	Electric Box Assy	100002064929	1
32	Terminal Board	422000000007	1
33	Terminal Board	42018000593	1
34	Main Board	300027060277	1
35	AC Contactor	44010287	1
36	Phase Reverse Protector	430055000001	1

No.	Material Name	Finished Product Code	Quantity
37	Capacitor	3301074708	1
38	Left Side Plate	01305043	1
39	Left Handle	26235401	1

Note:

The Finished Product Code may be changed due to the product improvement, please check the newest information with the sales rep.

Model:GU125W/A1-M **Product Code:** CF021W2660



No.	Material Name	Finished Product Code	Quantity
1	Front Grill	01572800003	1
2	Diversion Circle	10474100003	1
3	Cabinet	012022000003	1
4	Axial Flow Fan	1043410000801	1
5	Front Side Plate	012050000007	1
6	Handle	26904100016	2
7	Base Plate Sub-Assay	01700006013501	1
8	Compressor and Fittings	009001060110	1
9	Strainer	07413900026	1
10	Cut off Valve	07103030	1
11	Cut off Valve	07130209	1
12	Pressure Protect Switch	46020007	1
13	Pressure Protect Switch	4602000603	1

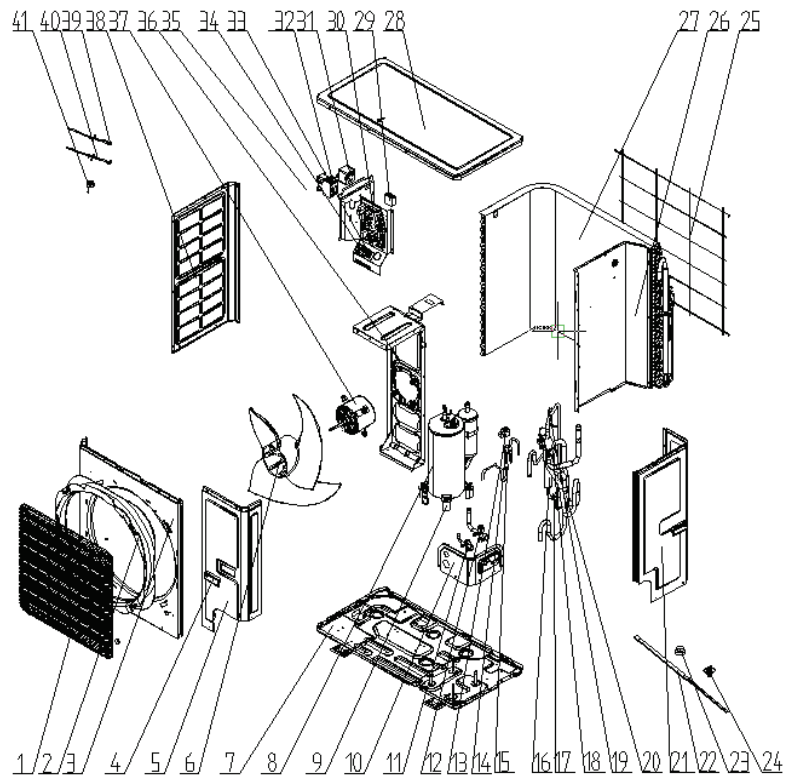
No.	Material Name	Finished Product Code	Quantity
14	Strainer	0721304401	2
15	Electronic Expansion Valve	43005017	1
16	Strainer	0721304401	1
17	Valve Support Sub-Assay	017104000021	1
18	Rear Side Plate	012076000021	1
19	Drainage Hole Cap	76715005	3
20	Drainage Joint	26113009	1
21	Rear Grill	01574100014	1
22	Clapboard Sub-Assay	017021000138	1
23	Condenser Assay	011002060347	1
24	Coping	01264100052	1
25	Electric Box Assay	100002062936	1
26	Capacitor	3301074719	1
27	Main Board	300027060278	1
28	Phase Reverse Protector	430055000001	1
29	Terminal Board	422000000007	1
30	Terminal Board	42018000593	1
31	AC Contactor	441007000001	1
32	Motor Support	012048000023	1
33	Fan Motor	15010106006101	1
34	Left Side Plate	012055000007	1
35	Temperature Sensor	39008000049G	1
36	Temperature Sensor	3900007201	1
37	Electric Expand Valve Fitting	43000344	1

Note:

The Finished Product Code may be changed due to the product improvement, please check the newest information with the sales rep.

Model:GU140W/A1-M

Product Code: CF021W2520



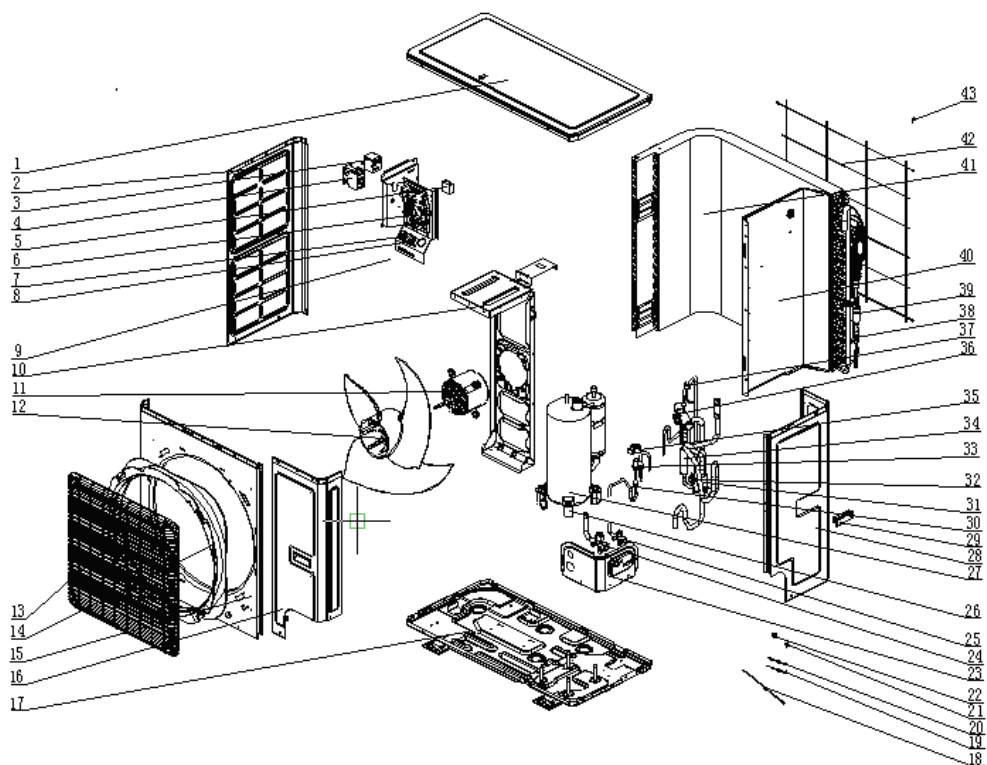
No.	Material Name	Finished Product Code	Quantity
1	Front Grill	01572800003	1
2	Diversion Circle	10474100003	1
3	Cabinet	012022000003	1
4	Handle	26904100016	2
5	Front Side Plate	012050000007	1
6	Axial Flow Fan	1043410000801	1
7	Base Plate Sub-Assy	01700006013501	1
8	Compressor and Fittings	009001060110	1
9	Compressor Gasket	009012000001	1
10	Valve Support Sub-Assy	017104000021	1
11	Cut off Valve	07103030	1
12	Cut off Valve	07130209	1
13	Electric Expand Valve Fitting	43000344	1
14	Electronic Expansion Valve	43005017	1
15	Strainer	07413900026	1
16	Silencer 1	07243050	1
17	Pressure Protect Switch	46020007	1
18	4-way Valve	072007000001	1
19	Pressure Protect Switch	4602000603	1
20	Strainer	0721304401	1
21	Rear Side Plate	012076000021	1

No.	Material Name	Finished Product Code	Quantity
22	Electrical Heater(Compressor)	7651540735	1
23	Drainage Hole Cap	76715005	3
24	Drainage Joint	26113009	1
25	Rear Grill	01574100014	1
26	Clapboard Sub-Assy	017021000138	1
27	Condenser Assy	011002060190	1
28	Coping	01264100052	1
29	Capacitor	3301074719	1
30	Main Board	300027060277	1
31	Phase Reverse Protector	430055000001	1
32	AC Contactor	441007000001	1
33	Terminal Board	42018000593	1
34	Terminal Board	422000000007	1
35	Electric Box Assy	100002063567	1
36	Motor Support Sub-Assy	01701200006201	1
37	Fan Motor	15010106006101	1
38	Left Side Plate	012055000007	1
39	Temperature Sensor	3900007201	1
40	Temperature Sensor	3900030904	1
41	Magnet Coil	4300040045	1

Note:

The Finished Product Code may be changed due to the product improvement, please check the newest information with the sales rep.

Model:GU160W/A1-M Product Code:CF021W2560



No.	Material Name	Finished Product Code	Quantity
1	Coping	01264100052	1
2	Left Side Plate	012055000007	1
3	Phase Reverse Protector	430055000001	1
4	AC Contactor	441007000001	1
5	Capacitor	3301074719	1
6	Main Board	300027060277	1
7	Terminal Board	42018000593	1
8	Terminal Board	422000000007	1
9	Electric Box Assy	100002063567	1
10	Motor Support Sub-Assy	017012000062	1
11	Fan Motor	15010106006101	1
12	Axial Flow Fan	1043410000801	1
13	Front Grill	01572800003	1
14	Diversion Circle	10474100003	1
15	Cabinet	012022000003	1
16	Front Side Plate	012050000007	1
17	Base Plate Sub-Assy	01700006013502	1
18	Electrical Heater(Compressor)	7651540735	1
19	Temperature Sensor	3900030904	1
20	Temperature Sensor	3900030904	1
21	Drainage Joint	26113009	1

No.	Material Name	Finished Product Code	Quantity
22	Drainage Hole Cap	76715005	3
23	Valve Support Sub-Assy	01710400021	1
24	Cut off Valve	07103030	1
25	Cut off Valve	07130209	1
26	Compressor Gasket	00901200001	1
27	Compressor and Fittings	009001000235	1
28	Rear Side Plate	01207600021	1
29	Handle	26904100016	2
30	Strainer	0721212101	1
31	Strainer	0721212101	1
32	Pressure Protect Switch	46020007	1
33	Electronic Expansion Valve	43005017	1
34	Silencer 1	07243050	1
35	Electric Expand Valve Fitting	43000344	1
36	4-way Valve	072007000001	1
37	Pressure Protect Switch	46020007	1
38	Strainer	0721212101	1
39	Silencer	07245012	1
40	Clapboard Sub-Assy	017021000138	1
41	Condenser Assy	01100200031501	1
42	Rear Grill	01574100014	1
43	Magnet Coil	4300040045	1

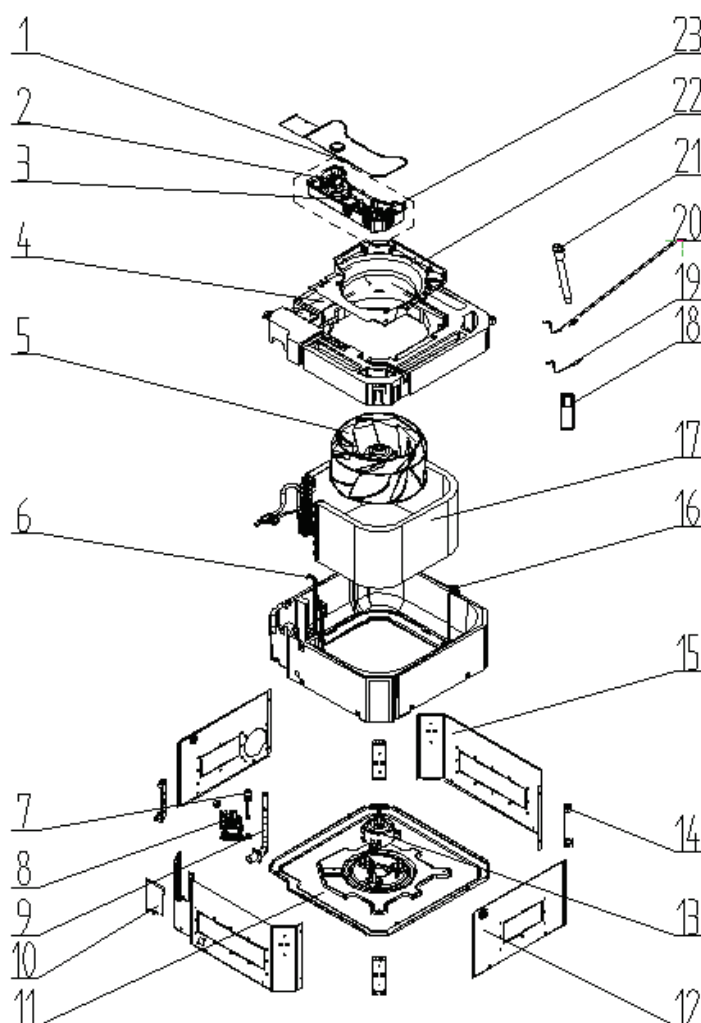
Note:

The Finished Product Code may be changed due to the product improvement, please check the newest information with the sales rep.

4.5.2 IDU Explosive View and Lists of Parts

Model:GUD50T/A1-K

Product Code: ET010N1750



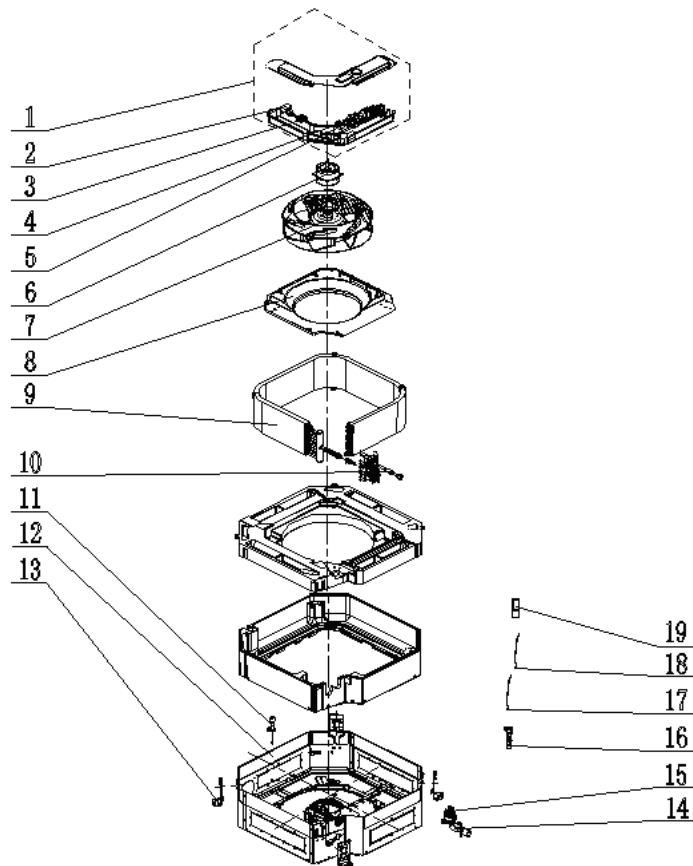
No.	Material Name	Finished Product Code	Quantity
1	Electric Box Assy	100002003276	1
2	Terminal Board	42011106	1
3	Main Board	300002060465	1
4	Water Tray Assy	000069060065	1
5	Centifugal Fan	103003060008	1
6	Connection Sheet Sub-Assy	017025060047	1
7	Water Level Switch	430024000005	1
8	Water Pump	4313800005802	1
9	Drain Pipe	200070060005	1
10	Sealplate	110000061319	1
11	Seat Board Sub-Assy	017080060023	1

No.	Material Name	Finished Product Code	Quantity
12	Side Plate	01201006017701	1
13	Brushless DC Motor	150104060012	1
14	Mounting Rack Sub-Assy	017044060011	1
15	Side Plate	012010060175	1
16	Support	012060061048	1
17	Evaporator Assy	011001060300	1
18	Remote Control	30510516	1
19	Room Sensor	39000191	1
20	Temperature Sensor	390001921	1
21	Drain Hose Sub-Assy	007008000001	1
22	Flow Guide Loop	200150060003	1
23	Terminal Board	42018000551	1

Note:

The Finished Product Code may be changed due to the product improvement, please check the newest information with the sales rep.

Model:GU71T/A1-K **Product Code:** ET010N1760

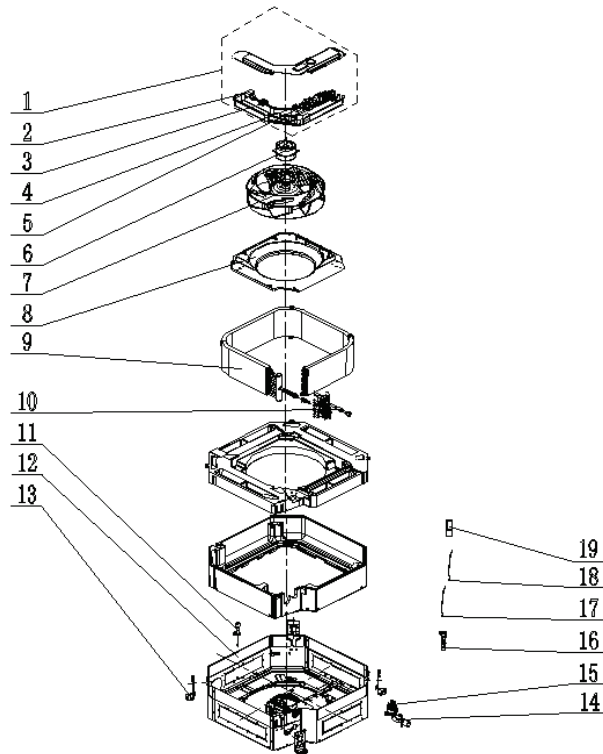


No.	Material Name	Finished Product Code	Quantity
1	Electric Box Assay	100002063468	1
2	Capacitor	3301074705	1
3	Terminal Board	42018000551	1
4	Terminal Board	42011106	1
5	Main Board	300002060419	1
6	Fan Motor	15709400011	1
7	Centrifugal Fan	10429400004	1
8	Diversion Circle	26909400067	1
9	Evaporator Assay	011001000115	1
10	Strainer	07213050	1
11	Liquid Level Switch	4502021602	1
12	Rear Case Assay	01519400003	1
13	Body Installing Plate	01332701	4
14	Drainage Pipe Sub-Assay	26909400055	1
15	Water Pump	43138000058	1
16	Drain Hose Sub-Assay	05232702	1
17	Temperature Sensor	390000453	1
18	Temperature Sensor	39000286	1
19	Remote Control	30510516	1

Note:

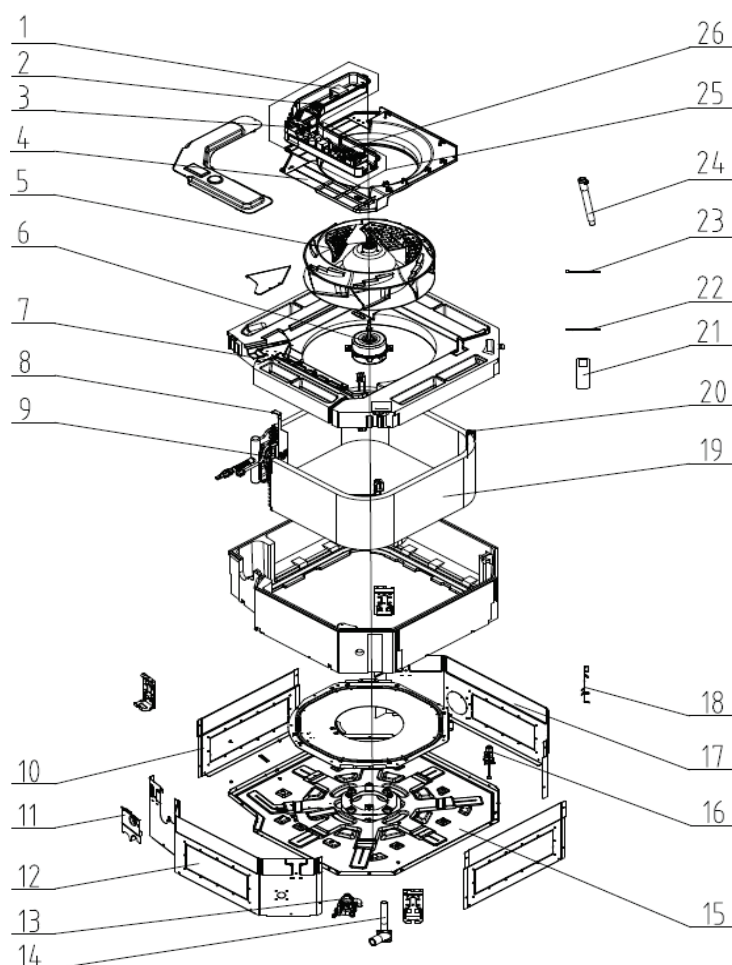
The Finished Product Code may be changed due to the product improvement, please check the newest information with the sales rep.

Model:GU85T/A1-K Product Code: ET010N1820



No.	Material Name	Finished Product Code	Quantity
1	Electric Box Assy	100002063468	1
2	Capacitor	3301074705	1
3	Terminal Board	42018000551	1
4	Terminal Board	42011106	1
5	Main Board	300002060419	1
6	Fan Motor	15709400011	1
7	Centrifugal Fan	10429400004	1
8	Diversion Circle	26909400067	1
9	Evaporator Assy	011001000115	1
10	Strainer	07213050	1
11	Liquid Level Switch	4502021602	1
12	Rear Case Assy	01519400003	1
13	Body Installing Plate	01332701	4
14	Drainage Pipe Sub-Assay	26909400055	1
15	Water Pump	43138000058	1
16	Drain Hose Sub-Assay	05232702	1
17	Temperature Sensor	390000453	1
18	Temperature Sensor	39000286	1
19	Remote Control	30510516	1

Model:GU100T/A1-K **Product Code:** ET010N1770



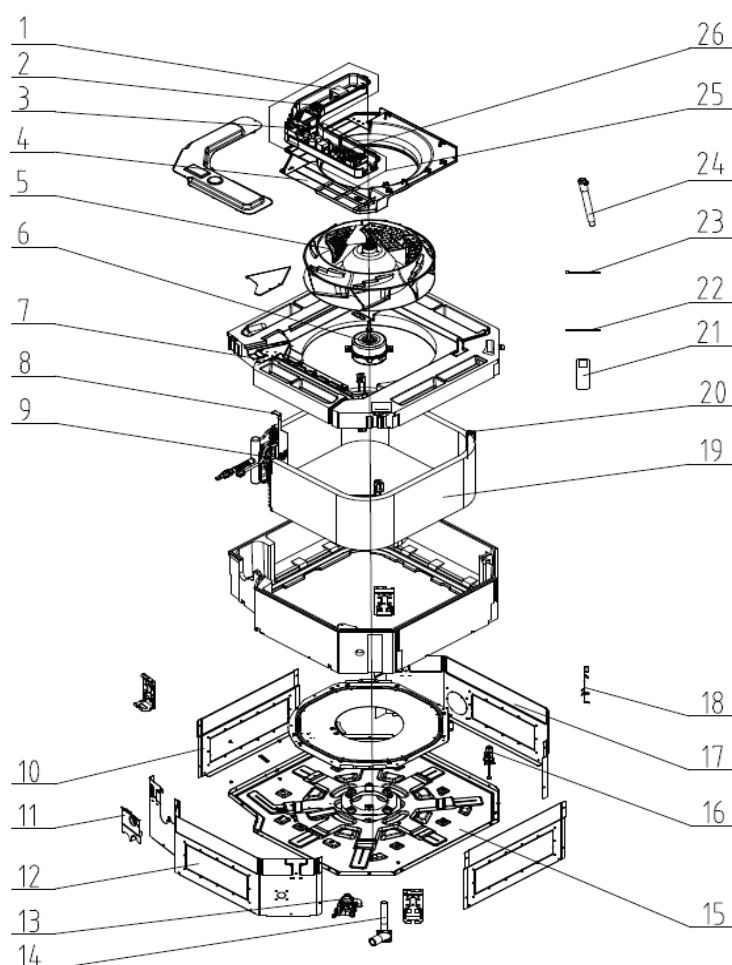
No.	Material Name	Finished Product Code	Quantity
1	Electric Box Assay	100002062940	1
2	Capacitor	3301074706	1
3	Diversion Circle	26909400067	1
4	Water Tray Assay	000069060008	1
5	Centrifugal Fan	10429400004	1
6	Liquid Level Switch	4502021601	1
7	Body Installing Plate	01332701	4
8	Seal Plate Assay	01499400003	1
9	Fixed Mount	01849400020	3
10	Evaporator Assay	01100100025401	1
11	Side Plate 1	01319400049	1
12	Side Plate 3	01319400051	2
13	Side Plate 2	01319400050	1
14	Seat Board Sub-Assay	02229400011	1
15	Strainer	07213050	1
16	Fan Motor	1570940001102	1
17	Water Pump	43138000058	1
18	Drainage Pipe Sub-Assay	26909400055	1

No.	Material Name	Finished Product Code	Quantity
19	Remote Control	305001060020	1
20	Temperature Sensor	390000453	1
21	Temperature Sensor	39000286	1
22	Drain Hose	05232044	1
23	Terminal Board	42018000551	1
24	Terminal Board	42011106	1
25	Main Board	300002060419	1

Note:

The Finished Product Code may be changed due to the product improvement, please check the newest information with the sales rep.

Model:GU125T/A1-K **Product Code:** ET010N1830



No.	Material Name	Finished Product Code	Quantity
1	Electric Box Assy	100002062940	1
2	Capacitor	3301074706	1
3	Diversion Circle	26909400067	1
4	Water Tray Assy	000069060008	1
5	Centrifugal Fan	10429400004	1
6	Liquid Level Switch	4502021601	1

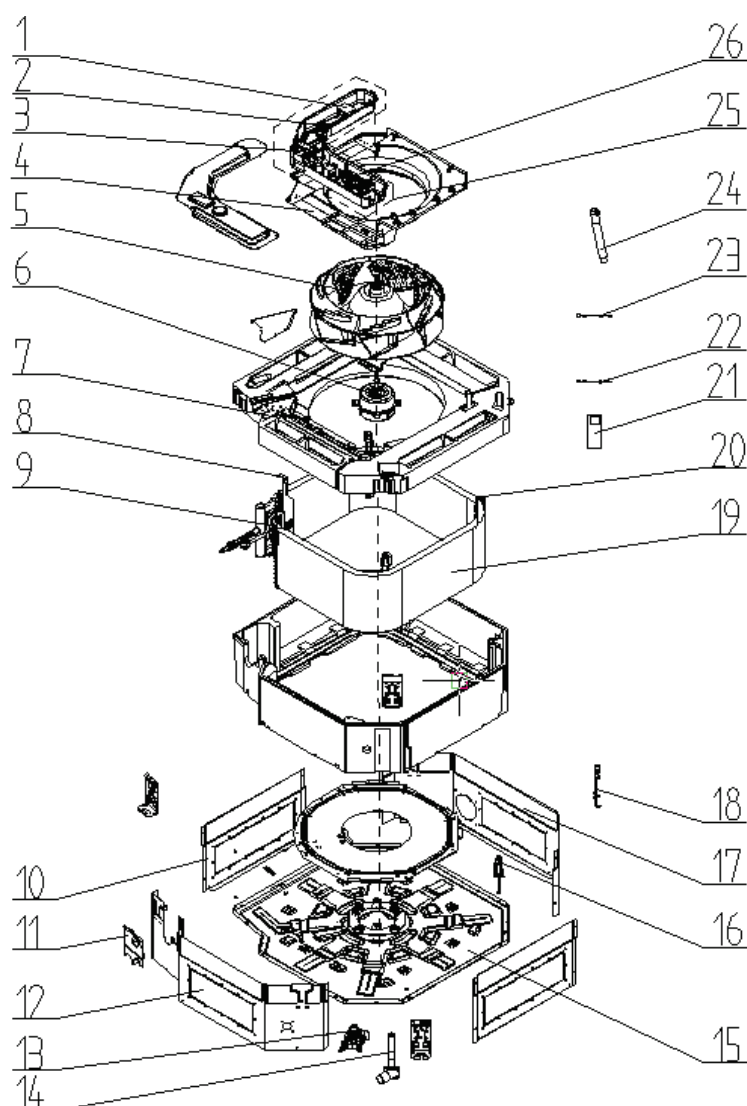
No.	Material Name	Finished Product Code	Quantity
7	Body Installing Plate	01332701	4
8	Seal plate Assay	01499400003	1
9	Fixed Mount	012078060022	3
10	Evaporator Assay	011001060201	1
11	Side Plate 1	01319400049	1
12	Side Plate 3	01319400051	2
13	Side Plate 2	01319400050	1
14	Seat Board Sub-Assay	02229400011	1
15	Support	012060060787	1
16	Fan Motor	1570940001102	1
17	Water Pump	43138000058	1
18	Drainage Pipe Sub-Assay	26909400055	1
19	Remote Control	305001060020	1
20	Temperature Sensor	39000286	1
21	Temperature Sensor	390000453	1
22	Drain Hose	05232044	1
23	Terminal Board	4201800002601	1
24	Terminal Board	42011106	1
25	Main Board	300002060419	1

Note:

The Finished Product Code may be changed due to the product improvement, please check the newest information with the sales rep.

Model:GU140T/A1-K Product Code: ET01001590

Model GU160T/A1-K Product Code: ET01001580



No.	Material Name	Finished Product Code	Quantity
1	Capacitor	3301074708	1
2	Terminal Board	42018000551	1
3	Terminal Board	42011106	1
4	Diversion Circle	10479400002	1
5	Centrifugal Fan	10429400003	1
6	Fan Motor	15709400010	1
7	Water Tray Assay	000069060008	1
8	Connection Sheet Assay	01349400025	1
9	Strainer	07415210	1
10	Side Plate 3	01319400036	2
11	Seal plate Assay	01499400001	1
12	Side Plate 2	01319400026	1
13	Water Pump	43138000058	1

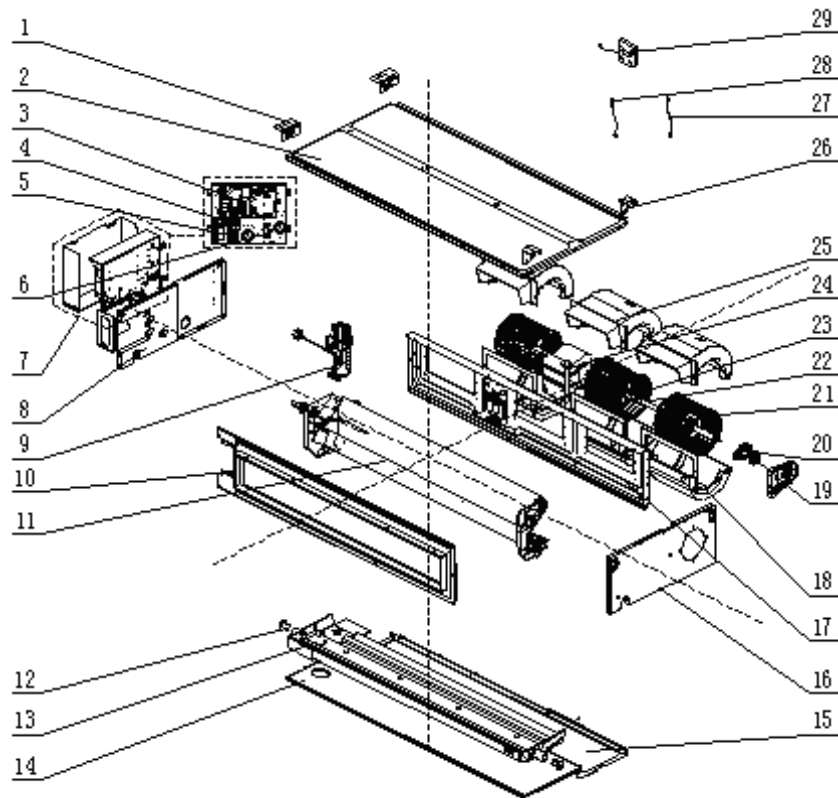
No.	Material Name	Finished Product Code	Quantity
14	Drainage Pipe Sub-Assay	26909400055	1
15	Seat Board Sub-Assay	02229400011	1
16	Liquid Level Switch	4502021601	1
17	Side Plate 1	01319400025	1
18	Body Installing Plate	01332701	4
19	Evaporator Assay	011001000225	1
20	Fixed Mount1	01849400007	3
21	Remote Controller	305001060020	1
22	Temperature Sensor	390000453	1
23	Temperature Sensor	39000286	1
24	Drain Hose Sub-Assay	05232702	1
25	Electric Box Assay	100002062906	1
26	Main Board	300002060419	1

Note:

The Finished Product Code may be changed due to the product improvement, please check the newest information with the sales rep.

Model:GU50P/A1-K

Product Code: CF022N2330



No.	Material Name	Finished Product Code	Quantity
1	Water Tray	01344100034	1
2	Hook 2	0126520014801	1
3	Top Cover Board Sub-Assy	300002060315	1
4	Main Board	42011106	1
5	Terminal Board	42018000551	1
6	Terminal Board	3301074704	1
7	Capacitor	100002064143	3
8	Electric Box Assy	01315200168	3
9	Left Side Plate Sub-Assy	0721200102	1
10	Strainer	01375200041	3
11	Air Outlet Frame Sub-Assy	011001060080	1
12	Evaporator Assy	76815200002	1
13	Rubber Plug	110000002214	1
14	Water Tray	01265200152	1
15	Cover Plate Sub-Assy	011657060129	1
16	Right Side Plate Sub-Assy	01315200167	1
17	Blower Mounting Plate Sub-Assy	01325200095	1

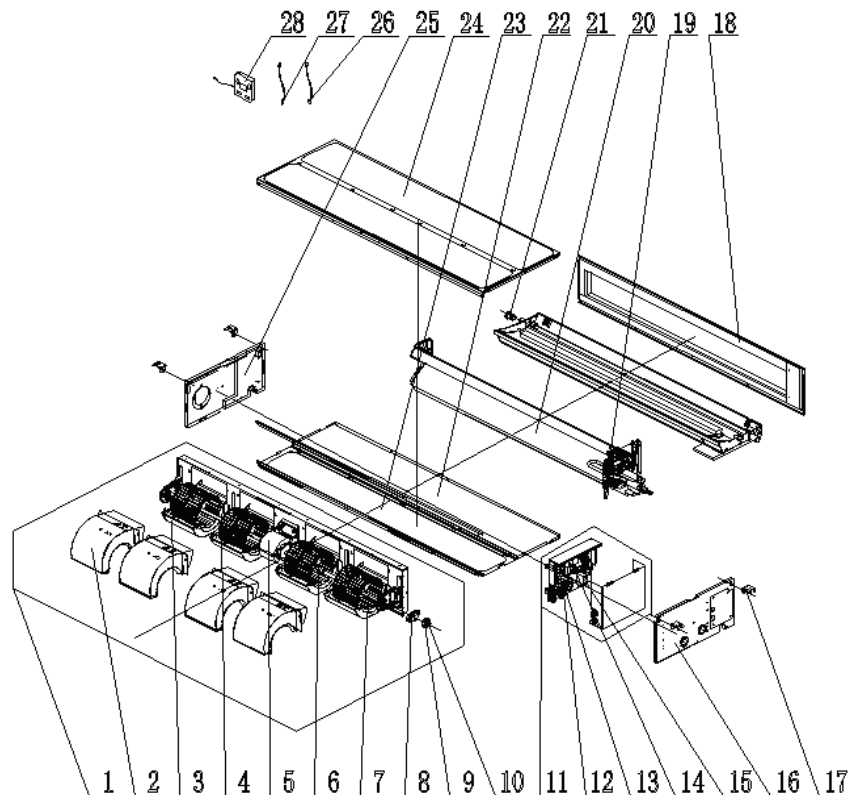
No.	Material Name	Finished Product Code	Quantity
18	Propeller Housing(Lower)	26905200123	1
19	Bearing Holder Sub-Assy	26151139	1
20	Support Of Motor Bearing	02285200001	2
21	Centrifugal Fan	10425200004	1
22	Rotary Axis Sub-Assy	73018761	1
23	Joint Slack	73018731	1
24	Fan Motor	150101000074	1
25	Propeller Housing(Upper)	26905200122	1
26	Hook	01344100034	2
27	Temperature Sensor	3900004508	1
28	Temperature Sensor	390001921	1
29	Display Board	300001000204	1

Note:

The Finished Product Code may be changed due to the product improvement, please check the newest information with the sales rep.

Model:GU71P/A1-K

Product Code: CF022N2360



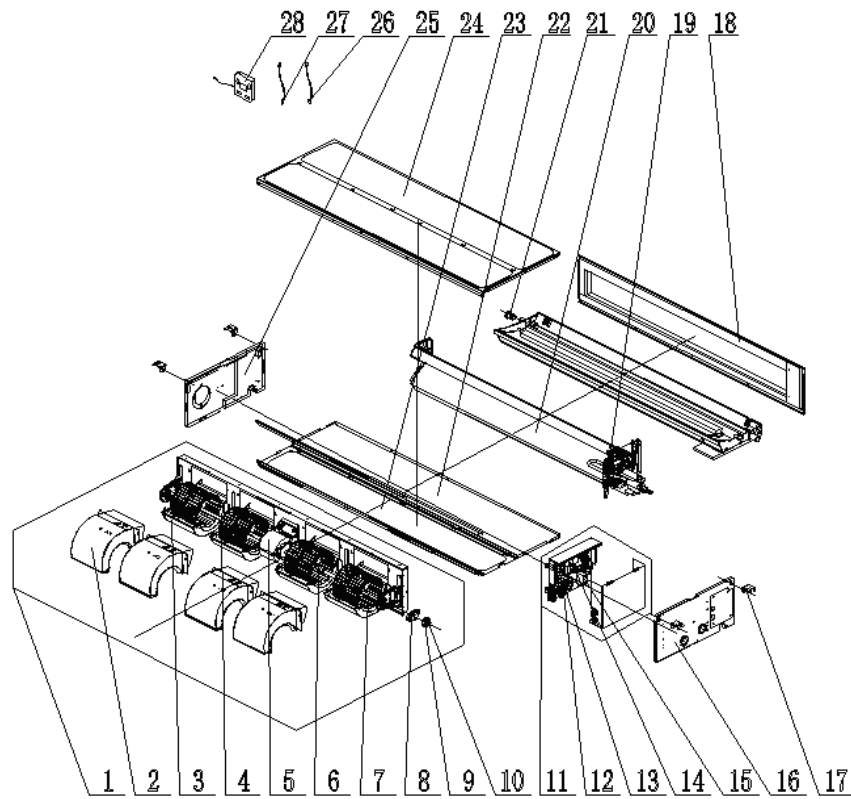
No.	Material Name	Finished Product Code	Quantity
1	Centrifugal fan assy	000052000168	1
2	Propeller Housing(Upper)	26905200122	4

No.	Material Name	Finished Product Code	Quantity
3	Propeller Housing(Lower)	26905200123	4
4	Centrifugal Fan	10425200004	4
5	Fan Motor	150101000059	1
6	Joint Slack	73018731	2
7	Rotary Axis Sub-Assay	73018761	2
8	Support Of Motor Bearing	02285200001	2
9	Bearing Holder	26151138	1
10	Fan Bearing	76512210	1
11	Electric Box Assay	100002063341	1
12	Terminal Board	42018000551	1
13	Terminal Board	42011106	1
14	Main Board	300002060315	1
15	Capacitor CBB61S	3301074705	1
16	Left Side Plate Sub-Assay	01315200168	1
17	Hook 2	01344100034	4
18	Air Outlet Frame Sub-assy	01375200041	1
19	Strainer	0721200102	1
20	Evaporator Assay	011001060080	1
21	Water Tray	26905200031	1
22	Bottom Cover Plate	01265200156	1
23	Cover Plate Sub-Assay	011657060059	1
24	Top Cover Board Sub-assy	0126520014801	1
25	Right Side Plate Sub-Assay	01315200167	1
26	Temperature Sensor	390001921	1
27	Temperature Sensor	390000451	1
28	Display Board	300001000204	1

Note:

The Finished Product Code may be changed due to the product improvement, please check the newest information with the sales rep.

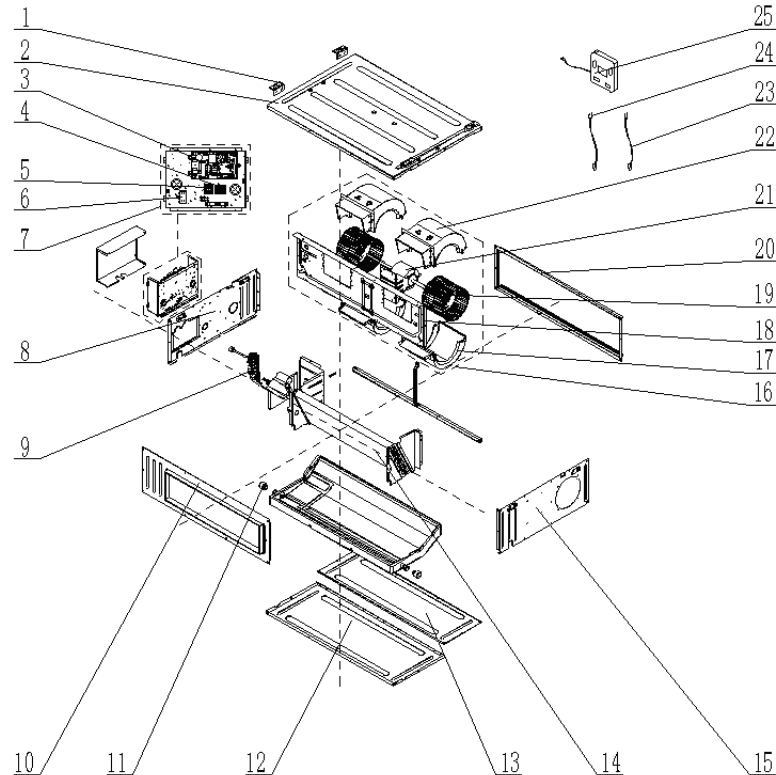
Model:GU85P/A1-K Product Code: CF022N1860



No.	Material Name	Finished Product Code	Quantity
1	Centrifugal fan assy	000052000168	1
2	Propeller Housing(Upper)	26905200122	4
3	Propeller Housing(Lower)	26905200123	4
4	Centrifugal Fan	10425200004	4
5	Fan Motor	150101000059	1
6	Joint Slack	73018731	2
7	Rotary Axis Sub-Assay	73018761	2
8	Support Of Motor Bearing	02285200001	2
9	Bearing Holder	26151138	1
10	Fan Bearing	76512210	1
11	Electric Box Assay	100002063341	1
12	Terminal Board	42018000551	1
13	Terminal Board	42011106	1
14	Main Board	300002060315	1
15	Capacitor CBB61S	3301074705	1
16	Left Side Plate Sub-Assay	01315200168	1
17	Hook 2	01344100034	4
18	Air Outlet Frame Sub-assy	01375200041	1
19	Strainer	0721200102	1
20	Evaporator Assay	011001060080	1
21	Water Tray	26905200031	1

No.	Material Name	Finished Product Code	Quantity
22	Bottom Cover Plate	01265200156	1
23	Cover Plate Sub-Assay	011657060059	1
24	Top Cover Board Sub-assy	0126520014801	1
25	Right Side Plate Sub-Assay	01315200167	1
26	Temperature Sensor	390001921	1
27	Temperature Sensor	390000451	1
28	Display Board	300001000204	1

Model:GU100PH/A1-K **Product Code:** CF022N2320



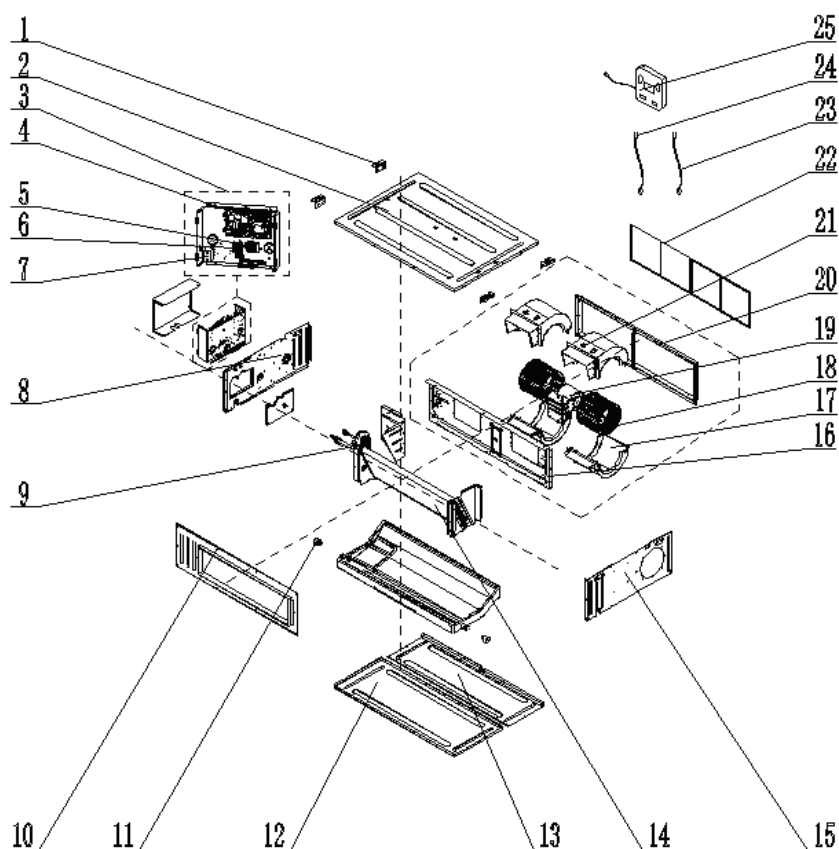
No.	Material Name	Finished Product Code	Quantity
1	Hook	02112466	4
2	Top Cover Board Sub-Assay	01265200129	1
3	Main Board	300002060315	1
4	Terminal Board	42018000551	1
5	Terminal Board	4200010000101	1
6	Capacitor	3301074708	1
7	Electric Box Assay	100002062426	1
8	Left Side Plate Sub-Assay	01315200123	1
9	Strainer	07415210	1
10	Air Outlet Frame Assay	01375200026	1
11	Choke Plug of Drain Pipe	76815214	1
12	Bottom Cover Plate	01265200131	1
13	Cover Of Air-In	01265200132	1
14	Evaporator Assay	011001060271	1

No.	Material Name	Finished Product Code	Quantity
15	Right Side Plate Sub-Assay	01315200122	1
16	Centrifugal fan assy	000052060117	1
17	Propeller Housing(Lower)	26905200079	2
18	Blower Mounting Plate Sub-Assay	01325200079	1
19	Centrifugal Fan	10455200003	2
20	Return Air Frame Sub-Assay	017026000002	1
21	Fan Motor	15010106006601	1
22	Propeller Housing(Upper)	26905200078	2
23	Temperature Sensor	390001921	1
24	Ambient Temperature Sensor	3900012123	1
25	Display Board	300001000204	1

Note:

The Finished Product Code may be changed due to the product improvement, please check the newest information with the sales rep.

Model:GU125PH/A1-K **Product Code:** CF022N1860



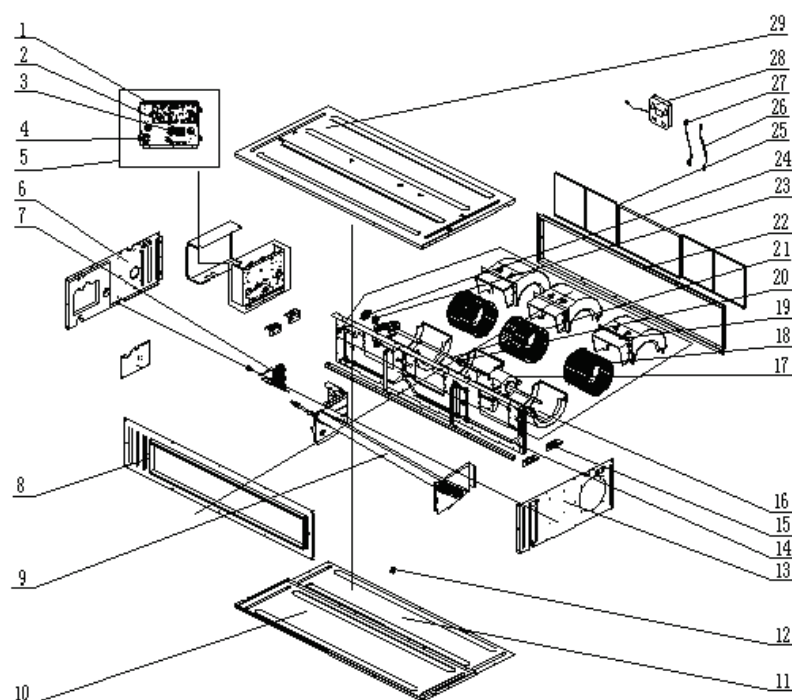
No.	Material Name	Finished Product Code	Quantity
1	Hook	02112466	4
2	Top Cover Board Sub-assy	01265200129	1
3	Electric Box Assay	100002062426	1
4	Main Board	300002060315	1

No.	Material Name	Finished Product Code	Quantity
5	Terminal Board	42018000551	1
6	Terminal Board	42000100000101	1
7	Capacitor CBB61S	3301074708	1
8	Left Side Plate Sub-Assay	01315200123	1
9	Pump Drainpipe	200070060004	1
10	Liquid Level Switch	430024000005	1
11	Water Pump	81200706001601	1
12	Strainer	07415210	1
13	Air Outlet Frame Sub-assy	01375200025	1
14	Choke Plug of Drain Pipe	76815214	2
15	Bottom Cover Plate	01265200131	1
16	Cover Of Air-In	01265200132	1
17	Evaporator Assay	011001060271	1
18	Right Side Plate Sub-Assay	01315200122	1
19	Blower Mounting Plate Sub-Assay	01325200079	1
20	Propeller Housing(Lower)	26905200079	2
21	Centrifugal Fan	10455200003	2
22	Fan Motor	15010106006601	1
23	Return Air Frame Sub-Assay	017026000002	1
24	Propeller Housing(Upper)	26905200078	2
25	Filter Sub-Assay	111001000045	2
26	Ambient Temperature Sensor	3900012123	1
27	Temperature Sensor	390001921	1
28	Display Board	300001000204	1

Note:

The Finished Product Code may be changed due to the product improvement, please check the newest information with the sales rep.

Model:GU140PH/A1-K **Product Code:** CF022N1790



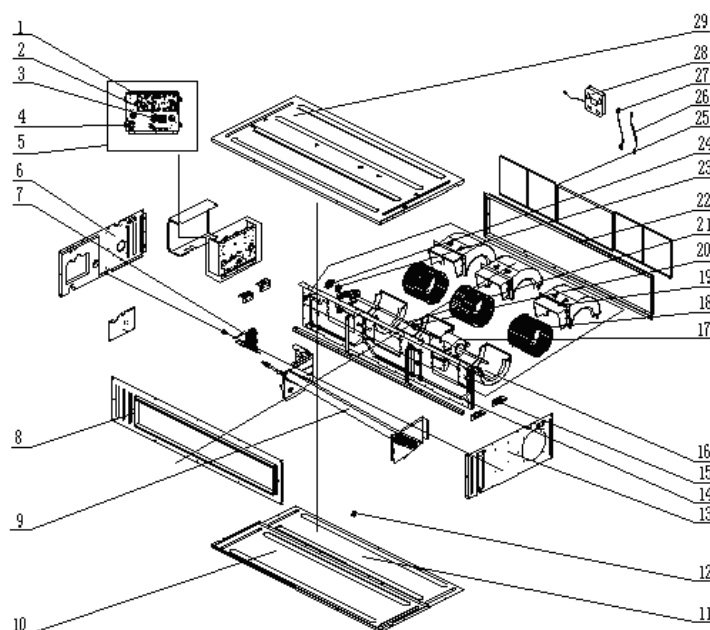
No.	Finished Product Code	Material Name	Quantity
1	Main Board	300002060315	1
2	Terminal Board	42018000551	1
3	Terminal Board	42000100000101	1
4	Capacitor	3301074719	1
5	Electric Box Assy	100002062425	1
6	Left Side Plate Sub-Assay	01315200123	1
7	Strainer	07415210	1
8	Air Outlet Frame Sub-Assay	01375200020	1
9	Evaporator Assy	01055200034	1
10	Bottom Cover Plate	01265200125	1
11	Cover Plate(Air Return)	01265200123	1
12	Choke Plug of Drain Pipe	76815214	1
13	Right Side Plate Sub-Assay	01315200122	1
14	Blower Mounting Plate Sub-Assay	01325200076	1
15	Hook	02112466	4
16	Propeller Housing(Lower)	26905200079	3
17	Fan Motor	15010106006701	1
18	Centrifugal Fan	10455200003	3
19	Propeller Housing(Upper)	26905200078	3
20	Joint Slack	73018731	1
21	Rotary Axis Sub-Assay	73018000117	1
22	Return Air Frame Sub-Assay	017026000003	1
23	Bearing Holder	26151138	1
24	Support Of Motor Bearing	02285200001	1

No.	Finished Product Code	Material Name	Quantity
25	Filter Sub-Assay	111001000052	3
26	Ambient Temperature Sensor	3900012123	1
27	Temperature Sensor	390001921	1
28	Display Board	300001000204	1
29	Top Cover Board Sub-Assay	01265200120	1

Note:

The Finished Product Code may be changed due to the product improvement, please check the newest information with the sales rep.

Model:GU160PH/A1-K **Product Code:** CF022N1920



No.	Finished Product Code	Material Name	Quantity
1	Main Board	300002060315	1
2	Terminal Board	42018000551	1
3	Terminal Board	42000100000101	1
4	Capacitor	3301074719	1
5	Electric Box Assay	100002062425	1
6	Left Side Plate Sub-Assay	01315200123	1
7	Strainer	07415210	1
8	Air Outlet Frame Sub-Assay	01375200020	1
9	Evaporator Assay	011001060186	1
10	Bottom Cover Plate	01265200125	1
11	Cover Plate(Air Return)	01265200123	1
12	Choke Plug of Drain Pipe	76815214	1
13	Right Side Plate Sub-Assay	01315200122	1
14	Blower Mounting Plate Sub-Assay	01325200076	1
15	Hook	02112466	4
16	Propeller Housing(Lower)	26905200079	3