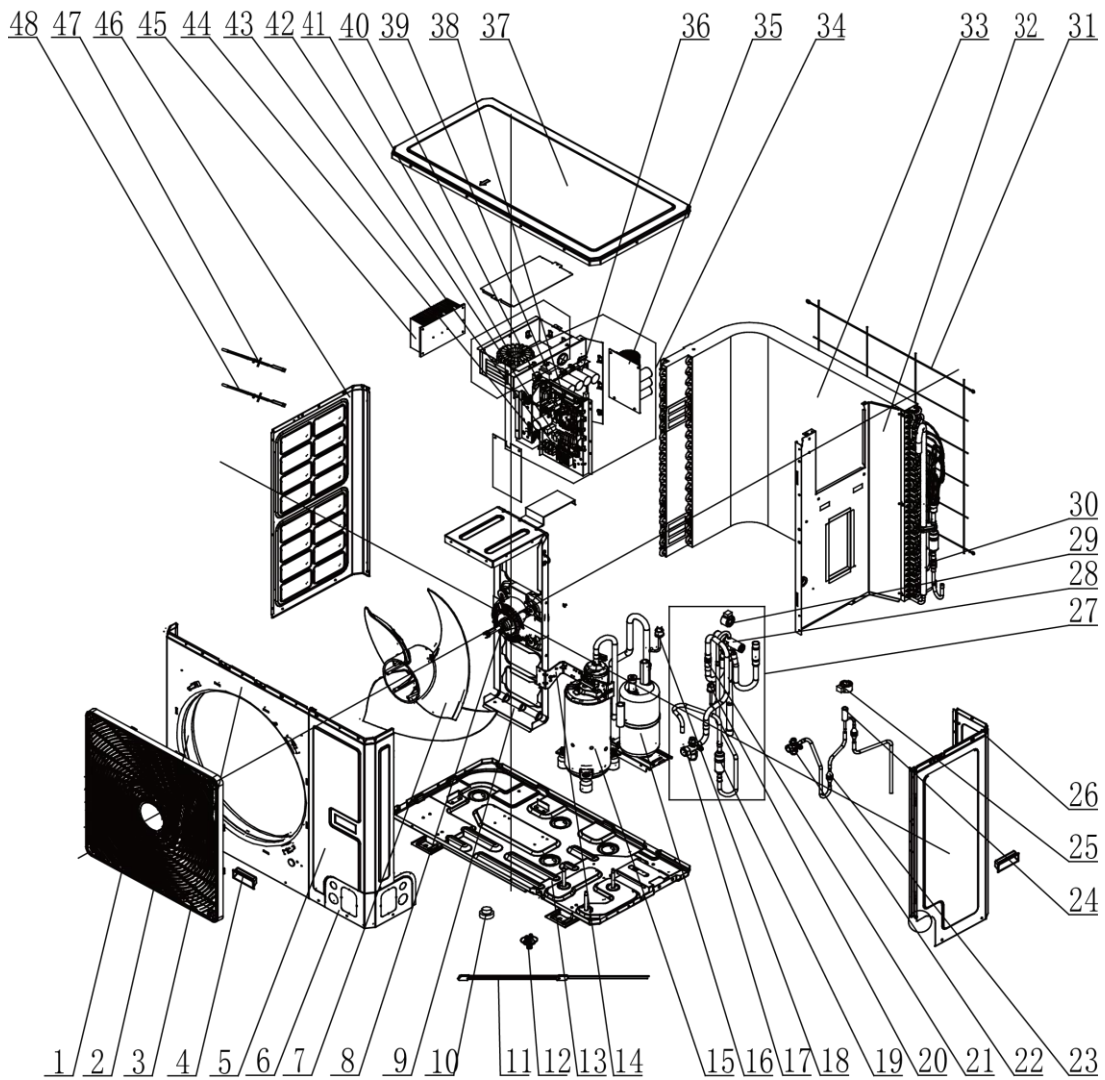


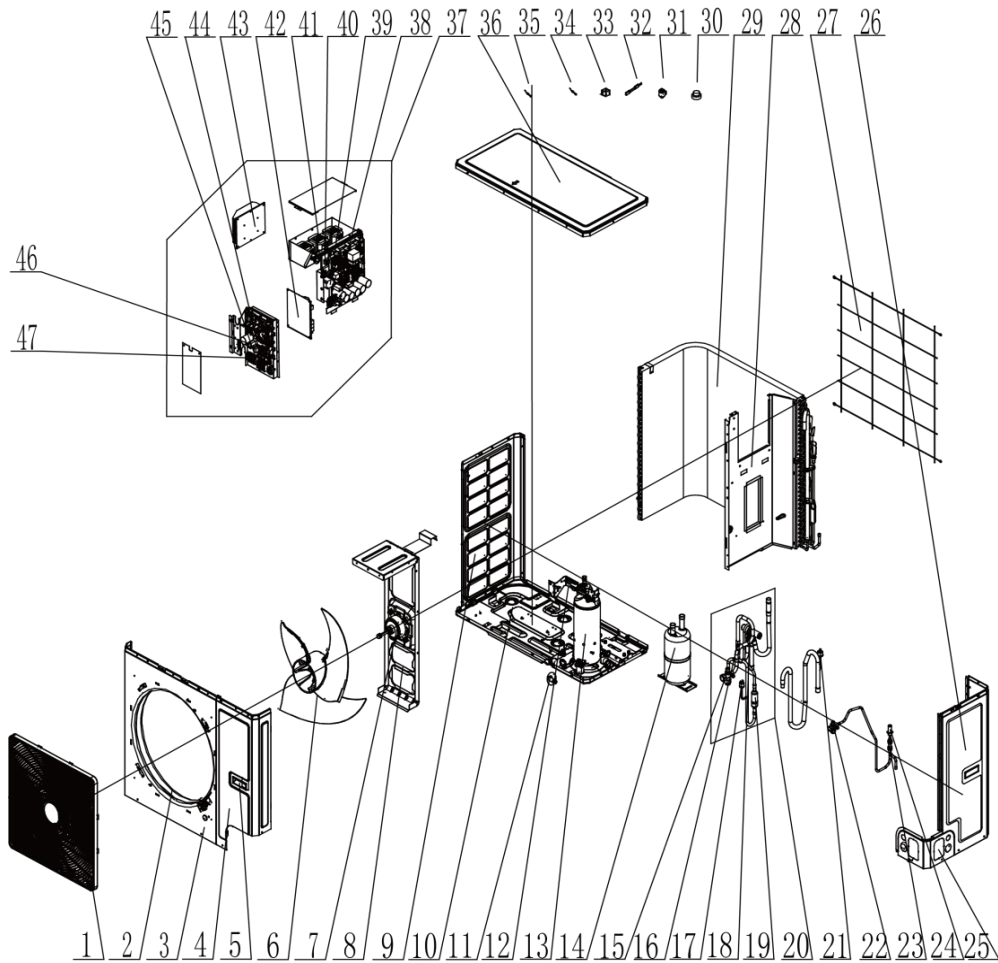
**GUD140W/NhA-T** (Product Code: CF090W1280)



No.	Material name	Finished Product Code	Quantity
1	Front Grill	01572800003	1
2	Diversion Circle	10474100003	1
3	Cabinet	012022000003P	1
4	Handle	26904100016	1
5	Front Side Plate	012050000007	1
6	Connection Board	01344100070P	1
7	Axial Flow Fan	1043410000801	1
8	Fan Motor	150104060013	1
9	Motor Support Sub-assay	017012060039	1
10	Drainage hole Cap	76715005	1
11	Electrical Heater(Compressor)	7651521238	1
12	Drainage Joint	26113009	1
13	Base Plate Sub-assay	017000060089	1
14	Valve Support Sub-assay	017104000008	1
15	Compressor and Fittings	009001060077	1
16	Gas-liquid Separator	07423902	1

No.	Material name	Finished Product Code	Quantity
17	Cut off Valve	07334100016	1
18	Pressure Protect Switch	46020007	1
19	Silencer	07245012	1
20	Pressure Protect Switch	4602000603	1
21	Filter	07224803	1
22	Cut off Valve	071302391	1
23	Strainer	0721304401	2
24	Electronic Expansion Valve	43005017	1
25	Electric Expand Valve Fitting	43000344	1
26	Rear Side Plate	012076000021	1
27	4-way Valve Assay	030152060078	1
28	4-way Valve	4300008201	1
29	Magnet Coil	4300040045	1
30	Strainer	0721212101	1
31	Rear Grill	01574100014	1
32	Clapboard Sub-assay	017021060074	1
33	Condenser Assay	01100200031501	1
34	Electric Box Assay	100002061303	1
35	Filter Board	300020000003	1
36	Main Board	300027060292	1
37	Coping	01264100052	1
38	Main Board	300027060156	1
39	Inductance	4312800001401	1
40	Terminal Board	42011147	1
41	Inductance	43120122	1
42	Terminal board	42000100000101	1
43	Terminal Board	422000000007	1
44	Terminal Board	42200000001501	1
45	Radiator	49018000013	1
46	Left Side Plate	012055000007P	1
47	Temperature Sensor	39008000049G	1
48	Temperature Sensor	3900007201	1

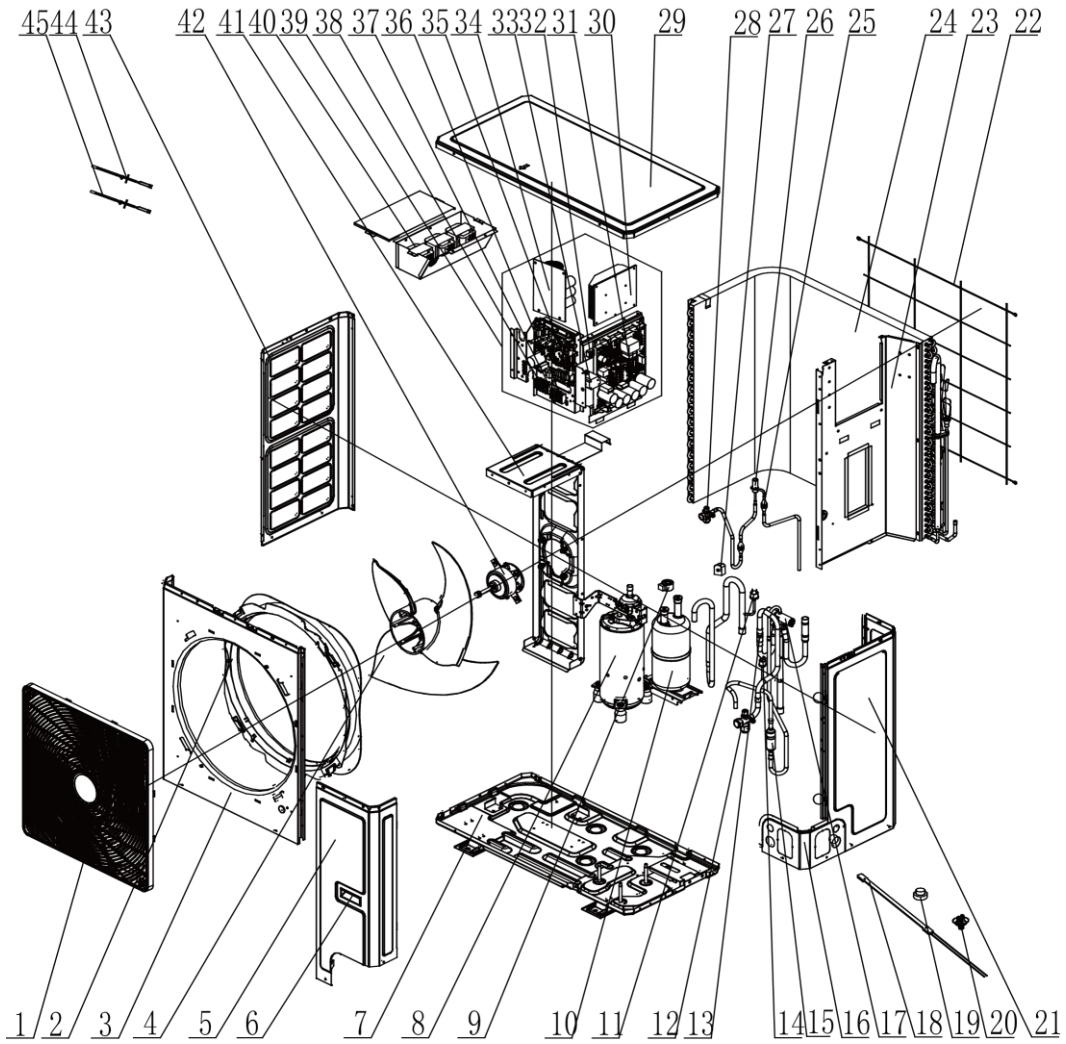
**GUD100W/NhA-X(Product Code: CF090W1250)**



No.	Material name	Finished Product Code	Quantity
1	Front Grill	1572800003	1
2	Diversion Circle	10474100003	1
3	Cabinet	012022000003	1
4	Front Side Plate	012050000007	1
5	Handle	26904100016	1
6	Axial Flow Fan	1043410000801	1
7	Fan Motor	150104060013	1
8	Motor Support Sub-assay	01701206003901	1
9	Left Side Plate	012055000007	1
10	Base Plate Sub-assay	017000060073	1
11	Drainage Joint	26113009	1
12	Valve Support Sub-assay	017104000008	1
13	Compressor and Fittings	009001060078	1
14	Gas-liquid Separator	07423902	1
15	Cut off Valve	07334100016	1
16	Strainer	0721304401	1
17	Pressure Protect Switch	4602000603	1

No.	Material name	Finished Product Code	Quantity
18	4-way Valve	4300008201	1
19	Silencer	07245012	1
20	4-way Valve Assay	030152060080	1
21	Pressure Protect Switch	46020007	1
22	Cut off Valve	071302391	1
23	Strainer	0721304401	1
24	Electronic Expansion Valve	072009000018	1
25	Connection Board	01344100070	1
26	Rear Side Plate	012076000021	1
27	Rear Grill	01574100014	1
28	Clapboard Sub-assay	017021060074	1
29	Condenser Assay	011002060190	1
30	Drainage hole Cap	76715005	1
31	Electric Expand Valve Fitting	43000344	1
32	Electrical Heater(Compressor)	7651873215	1
33	4-way Valve Coil	4300040087	1
34	Temperature Sensor	39008000049G	1
35	Temperature Sensor	3900007201	1
36	Coping	01264100052	1
37	Electric Box Assay	100002061296	1
38	Main Board	300027060156	1
39	Inductance	43128000014	1
40	Terminal Board	42011147	1
41	Reactor	43130192	1
42	Filter Board	30223000044	1
43	Radiator	49018000087	1
44	Terminal board	42000100000101	1
45	Terminal Board	422000000007	1
46	Main Board	300027000436	1
47	Terminal Board	422000060009	1

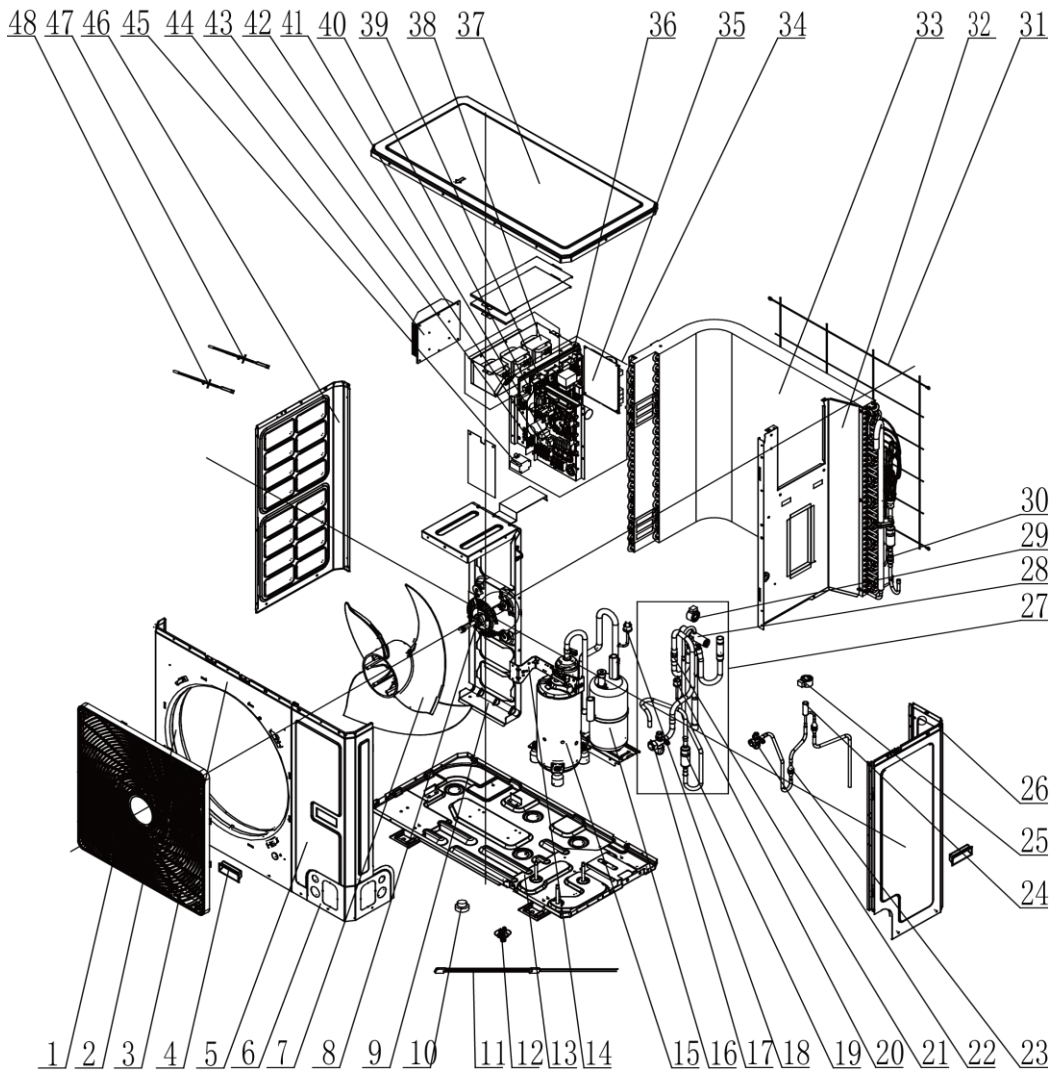
**GUD125W/NhA-X**(Product Code: CF090W1270)



No.	Material name	Finished Product Code	Quantity
1	Front Grill	01572800003	1
2	Diversion Circle	10474100003	1
3	Cabinet	012022000003	1
4	Axial Flow Fan	1043410000801	1
5	Front Side Plate	012050000007	1
6	Handle	26904100016	1
7	Base Plate Sub-assay	01700006008901	1
8	Compressor and Fittings	009001060059	1
9	Electric Expand Valve Fitting	43000344	1
10	Gas-liquid Separator	07423902	1
11	Pressure Protect Switch	46020007	1
12	Cut off Valve	07334100016	1
13	Strainer	0721304401	1
14	Pressure Protect Switch	4602000603	1
15	Silencer	07245012	1
16	Connection Board	01344100070	1

No.	Material name	Finished Product Code	Quantity
17	4-way Valve	4300008201	1
18	Electrical Heater(Compressor)	7651521238	1
19	Drainage hole Cap	76715005	1
20	Drainage Joint	26113009	1
21	Rear Side Plate	012076000021	1
22	Rear Grill	01574100014	1
23	Clapboard Sub-assay	017021060074	1
24	Condenser Assay	011002060190	1
25	Strainer	721304401	2
26	Electronic Expansion Valve	43005017	1
27	Electric Expand Valve Fitting	43000344	1
28	Cut off Valve	71302391	1
29	Coping	01264100052	1
30	Radiator	49018000087	1
31	Main Board	300027000644	1
32	Terminal board	42011147	1
33	Inductance	43128000014	1
34	Filter Board	30223000044	1
35	Main Board	300027060156	1
36	Terminal Board	422000000007	1
37	Terminal Board	42000100000101	1
38	Terminal Board	422000060009	1
39	Electric Box Assay	100002061295	1
40	Reactor	43130192	1
41	Motor Support	012048000023	1
42	Fan Motor	150104060013	1
43	Left Side Plate	012055000007	1
44	Temperature Sensor	39008000049G	1
45	Temperature Sensor	3900007201	1

**GUD140W/NhA-X**(Product Code: CF090W1290)

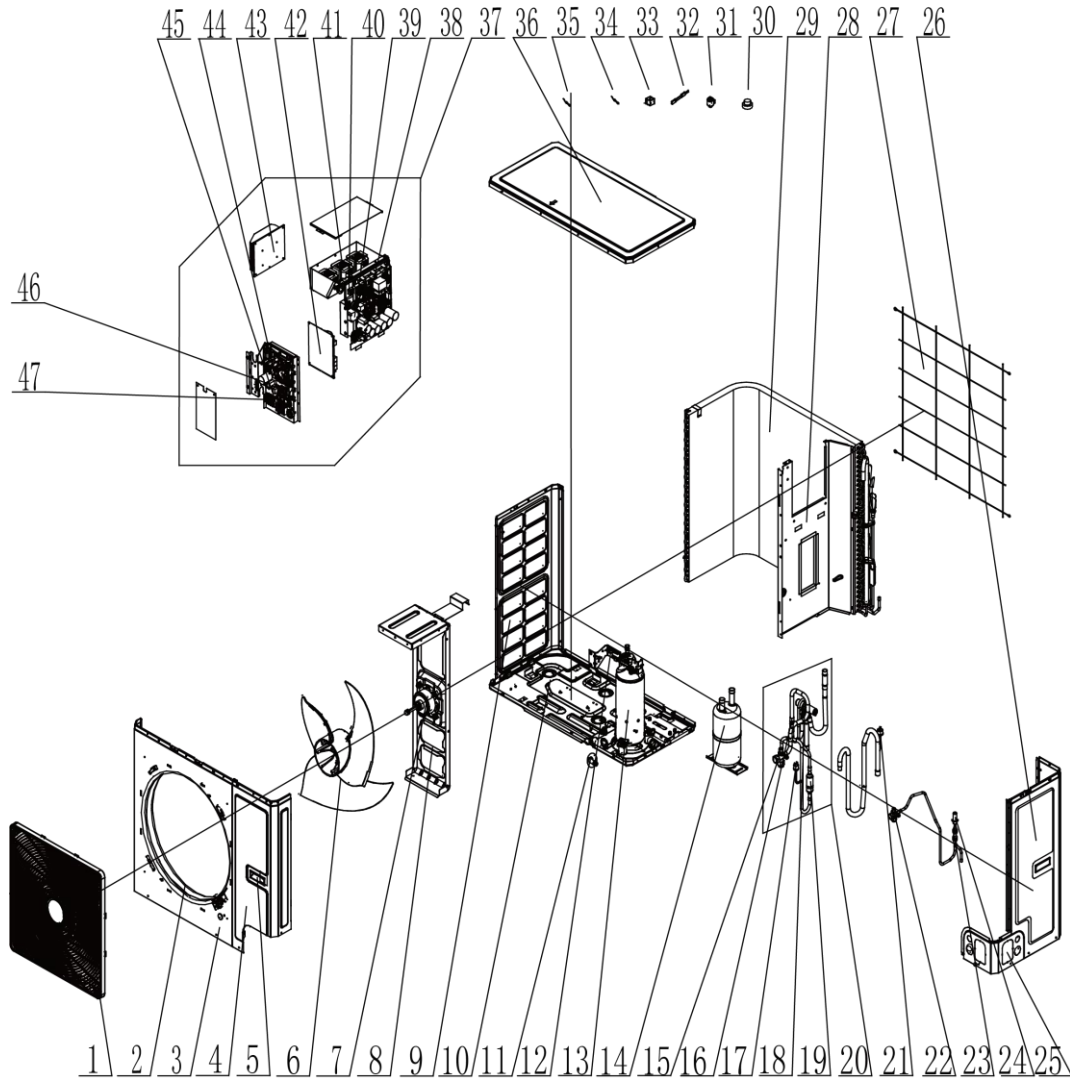


No.	Material name	Finished Product Code	Quantity
1	Front Grill	01572800003	1
2	Diversion Circle	10474100003	1
3	Cabinet	012022000003	1
4	Handle	26904100016	1
5	Front Side Plate	012050000007	1
6	Connection Board	01344100070	1
7	Axial Flow Fan	1043410000801	1
8	Fan Motor	150104060013	1
9	Motor Support Sub-assay	017012060039	1
10	Drainage Hole Cap	76715005	3
11	Electrical Heater(Compressor)	7651521238	1
12	Drainage Joint	26113009	1
13	Base Plate Sub-assay	017000060089	1
14	Valve Support Sub-assay	017104000008	1
15	Compressor and Fittings	009001060059	1
16	Gas-liquid Separator	07423902	1

No.	Material name	Finished Product Code	Quantity
17	Cut off Valve	07334100016	1
18	Pressure Protect Switch	46020007	1
19	Silencer	07245012	1
20	Pressure Protect Switch	4602000603	1
21	Filter	07224803	1
22	Cut off Valve	071302391	1
23	Strainer	0721304401	2
24	Electronic Expansion Valve	43005017	1
25	Electric Expand Valve Fitting	43000344	1
26	Rear Side Plate	012076000021	1
27	4-way Valve Assay	030152060078	1
28	4-way Valve	4300008201	1
29	Magnet Coil	4300040045	1
30	Strainer	0721212101	1
31	Rear Grill	01574100014	1
32	Clapboard Sub-assay	017021060074	1
33	Condenser Assay	01100200031501	1
34	Electric Box Assay	100002061295	1
35	Filter Board	30223000044	1
36	Main Board	300027060156	1
37	Coping	01264100052	1
38	Reactor	43130192	1
39	Main Board	300027000644	1
40	Terminal Board	42011147	1
41	Terminal Board	422000000007	1
42	Terminal Board	42000100000101	1
43	Terminal Board	422000060009	1
44	Radiator	49018000087	1
45	Inductance	43128000014	1
46	Left Side Plate	012055000007	1
47	Temperature Sensor	39008000049G	1
48	Temperature Sensor	3900007201	1



**GUD160W/NhA-X**(Product Code: CF090W1300)

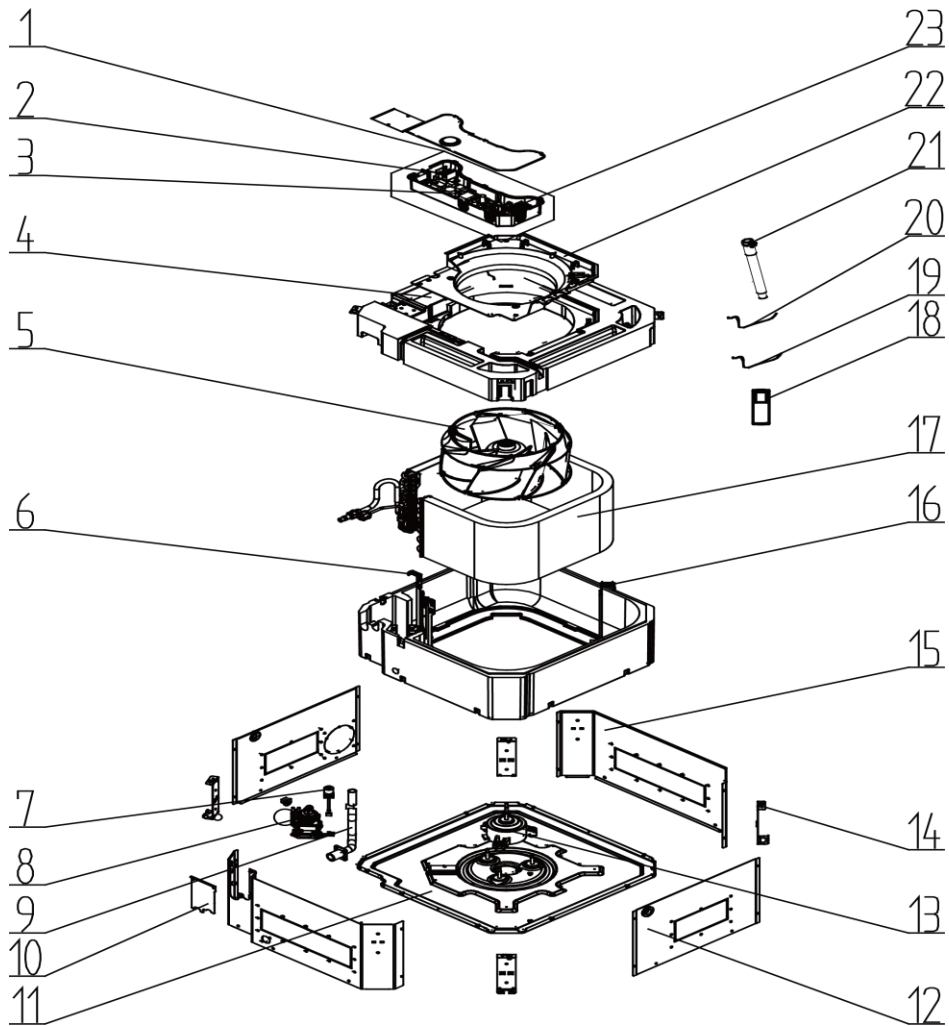


No.	Material name	Finished Product Code	Quantity
1	Front Grill	01575200002	2
2	Cabinet	01514100002	1
3	Diversion Circle	10474100001	2
4	Axial Flow Fan	1043410000301	1
5	Handle	26235253	1
6	Front Side Plate	01314100012	1
7	Brushless DC Motor	1570410001305	1
8	Brushless DC Motor	1570410001306	1
9	Electric Expand Valve Fitting	43000344	
10	Electronic Expansion Valve	43005017	1
11	Strainer	0741410000601	2
12	Base Plate Sub-assay	017000000342	1
13	Cut off Valve	07330000002	1
14	Compressor and Fittings	009001060059	1
15	Magnet Coil	4300040045	1

No.	Material name	Finished Product Code	Quantity
16	Cut off Valve	07334100016	1
17	Filter	07224803	1
18	4-way Valve	43000338	1
19	Pressure Protect Switch	4602000603	1
20	4-way Valve Assay	030152060082	1
21	Rear Side Plate Sub-assay	017051000057	1
22	Rear Grill	01574100004	1
23	Clapboard Sub-assay	017021060075	1
24	Strainer	0721212101	1
25	Condenser Assay	000100060046	1
26	Pressure Protect Switch	46020007	1
27	Gas-liquid Separator	0722501603	1
28	Electric Box Assay	100002062084	1
29	Inductance	43128000014	1
30	Filter Board	30223000044	1
31	Terminal Board	42011147	1
32	Terminal Board	422000000007	1
33	Main Board	300027060156	1
34	Terminal Board	42000100000101	1
35	Terminal Board	422000060009	1
36	Coping	01264100008	1
37	Radiator	49018000127	1
38	Main Board	300027000644	1
39	Reactor	43130192	1
40	Electric Box Assay	100002061300	1
41	Motor Support Sub-assay	017012000126	1
42	Left Side Plate	01314100013	1
43	Electrical Heater(Compressor)	765152128	1
44	Drainage Joint	06123401	1
45	Drainage Hole Cap	06813401	3
46	Temperature Sensor	3900007201	1
47	Temperature Sensor	3900028025G	1

## 4.6.2 IDU Explosive View and Lists of Parts

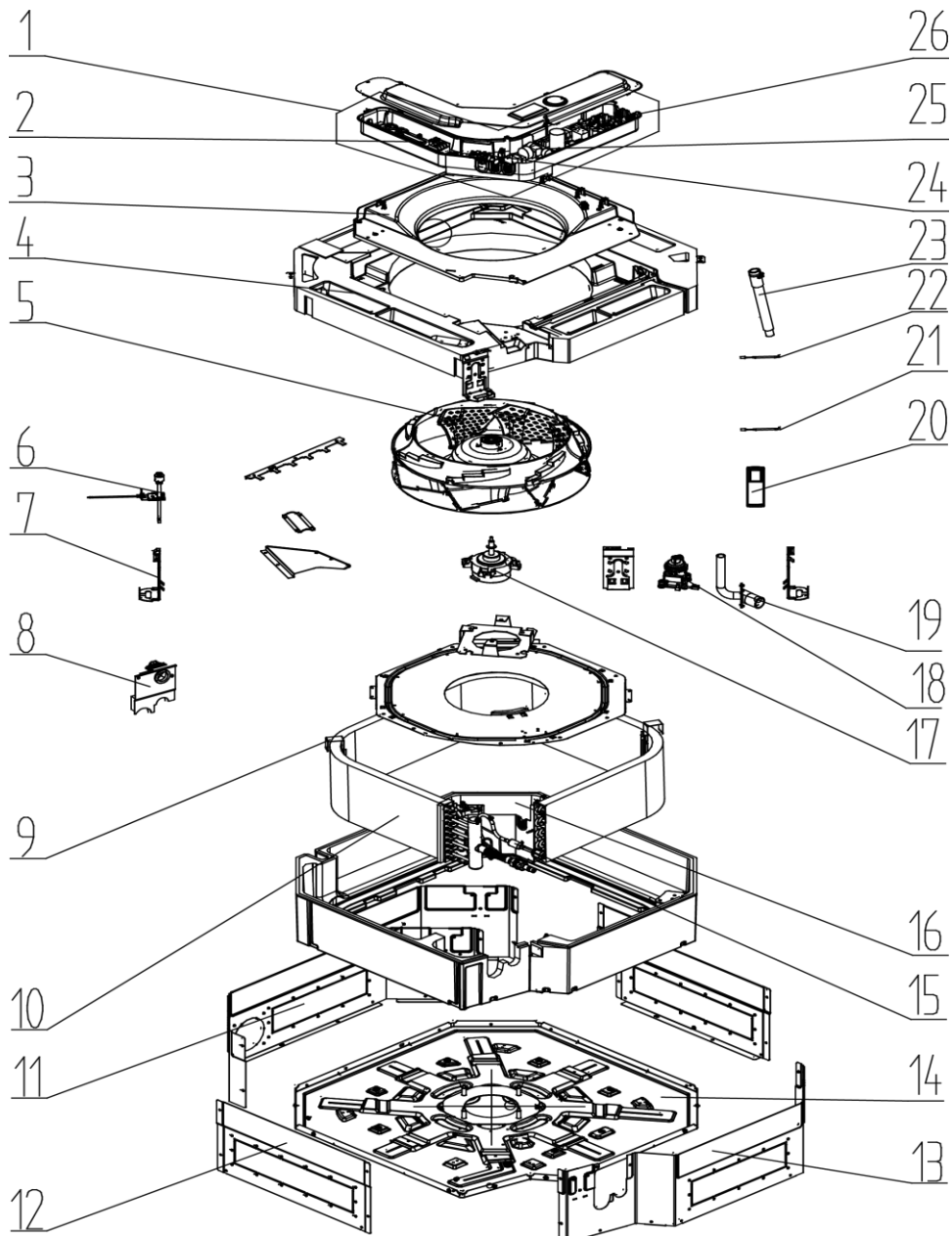
**GUD35T/A-T**(Product Code:ET010N1640), **GUD50T/A-T**(Product Code:ET010N1540)



No.	Material name	Finished Product Code	Quantity
1	Electric Box Assy	100002003276	1
2	Terminal Board	42011106	1
3	Main Board	300002060226	1
4	Water Tray Assy	000069060065	1
5	Centifugal Fan	103003060008	1
6	Connection Sheet Sub-Assy	017025060047	1
7	Water Level Switch	43002400000502	1
8	Water Pump	43138000058	1
9	Drain Pipe	200070060005	1
10	Sealplate	012034060119	1
11	Seat Board Sub-Assy	017080060023	1
12	Side Plate	012010060177	1
13	Brushless DC Motor	150104060012	1

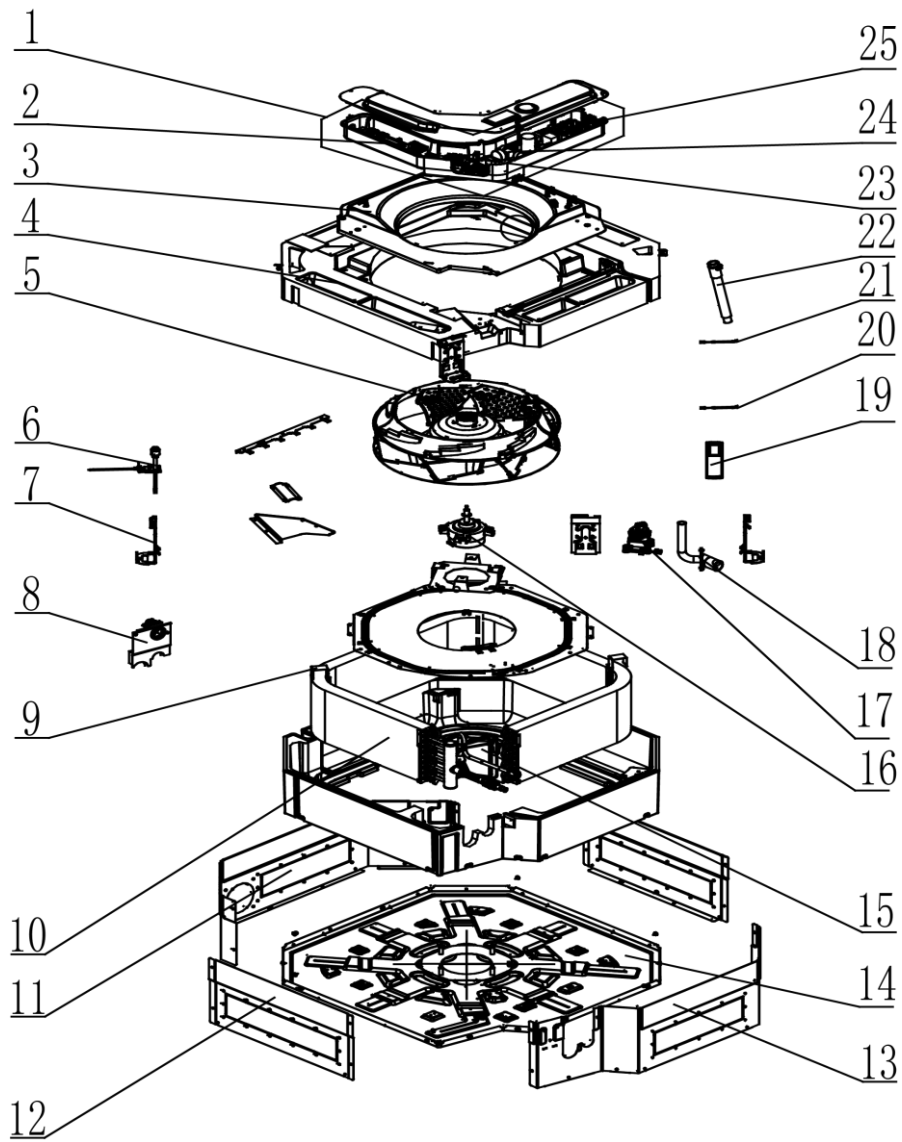
No.	Material name	Finished Product Code	Quantity
14	Mounting Rack Sub-Assy	017044060011	4
15	Side Plate	012010060175	1
16	Support	012060061048	1
17	Evaporator Assy	011001060299	1
18	Remote Control	305001060024	1
19	Room Sensor	39000191	1
20	Temperature Sensor	3900005911	1
21	Drain Hose Sub-Assy	05232702	1
22	Flow Guide Loop	200150060003	1
23	Terminal Board	42018000551	1

**GUD71T/A-T**(Product Code: ET010N1420), **GUD85T/A-T**(Product Code: ET010N1430)



No.	Material name	Finished Product Code	Quantity
1	Electric Box Assay	100002061280	1
2	Terminal Board	42018000551	1
3	Diversion Circle	26909400067	1
4	Water Tray Assay	000069060008	1
5	Centrifugal Fan	10429400004	1
6	Liquid Level Switch	4502021601	1
7	Body Installing Plate	01332701	4
8	Seal Plate Assay	01499400003	1
9	Fixed Mount1	01849400020	3
10	Evaporator Assay	01100100025401	1
11	Side Plate 1	01319400049	1
12	Side Plate 3	01319400051	2
13	Side Plate 2	01319400050	1
14	Seat Board Sub-assay	02229400011	1
15	Strainer	07213050	1
16	Support	01809400052	1
17	Brushless DC Motor	1570410000701	1
18	Water Pump	43138000058	1
19	Drainage Pipe Sub-assay	26909400055	1
20	Remote Controller	305001060024	1
21	Temperature Sensor	390000453	1
22	Temperature Sensor	39000286	1
23	Drain Hose Sub-assay	05232702	1
24	Terminal board	42000100000202	1
25	Filter Board	30221000021	1
26	Main Board	300002060224	1

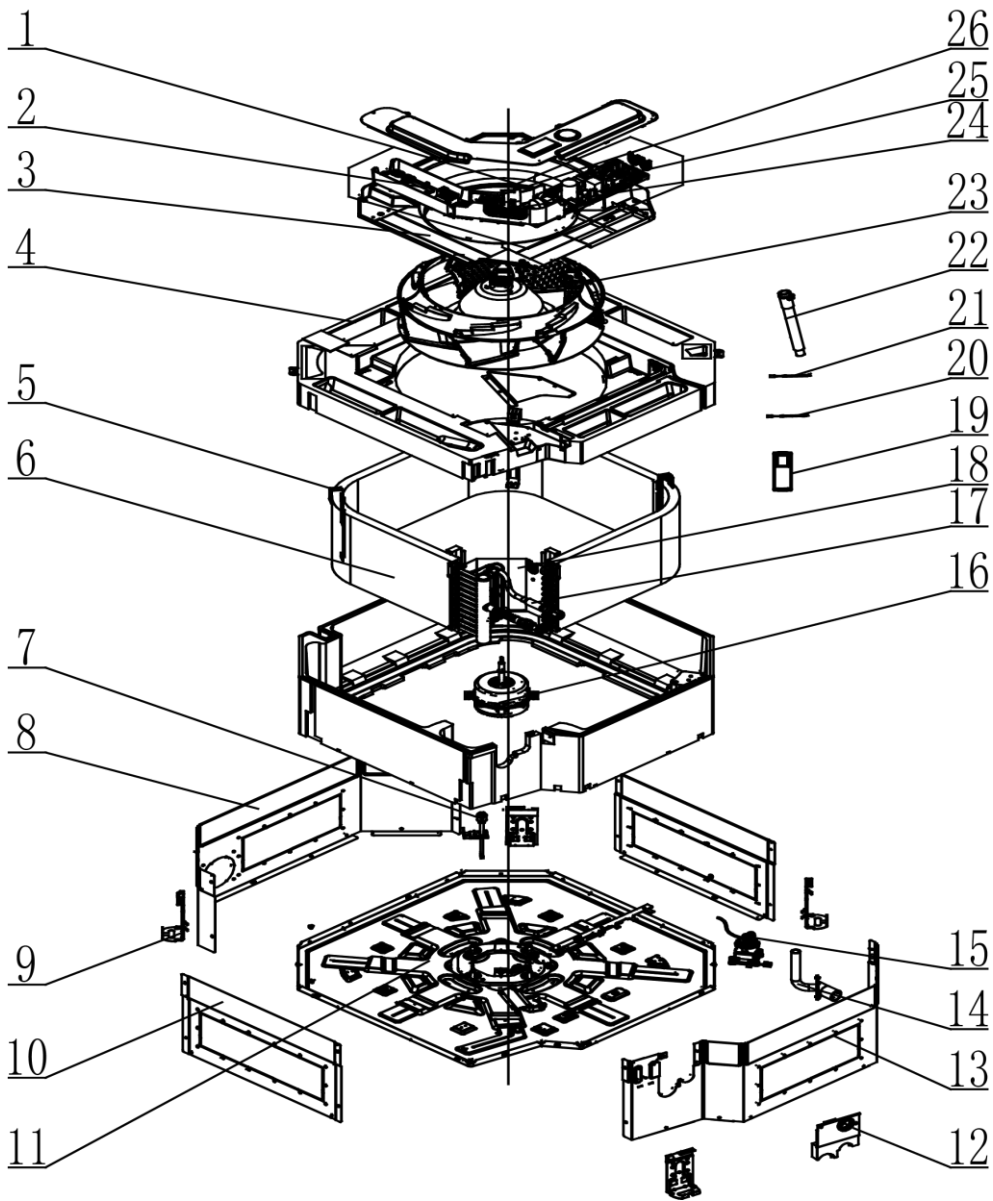
**GUD100T/A-T**(Product Code: ET010N1440)



No.	Material name	Finished Product Code	Quantity
1	Electric Box Assay	100002061280	1
2	Terminal Board	42018000551	1
3	Diversion Circle	126909400067	1
4	Water Tray Assay	000069060008	1
5	Centrifugal Fan	10429400004	126909400067
6	Liquid Level Switch	4502021601	1
7	Body Installing Plate	01332701	4
8	Seal Plate Assay	01499400003	1
9	Fixed Mount1	012078060022	3
10	Evaporator Assay	011001060201	1
11	Side Plate 1	01319400049	1
12	Side Plate 3	01319400051	2
13	Side Plate 2	01319400050	1
14	Seat Board Sub-assay	02229400011	1
15	Support	012060060787	1

No.	Material name	Finished Product Code	Quantity
16	Brushless DC Motor	1570410000701	1
17	Water Pump	43138000058	1
18	Drainage Pipe Sub-assay	26909400055	1
19	Remote Controller	305001060024	1
20	Temperature Sensor	390000453	1
21	Temperature Sensor	39000286	1
22	Drain Hose Sub-assay	05232702	1
23	Terminal board	42000100000202	1
24	Filter Board	30221000021	1
25	Main Board	300002060224	1

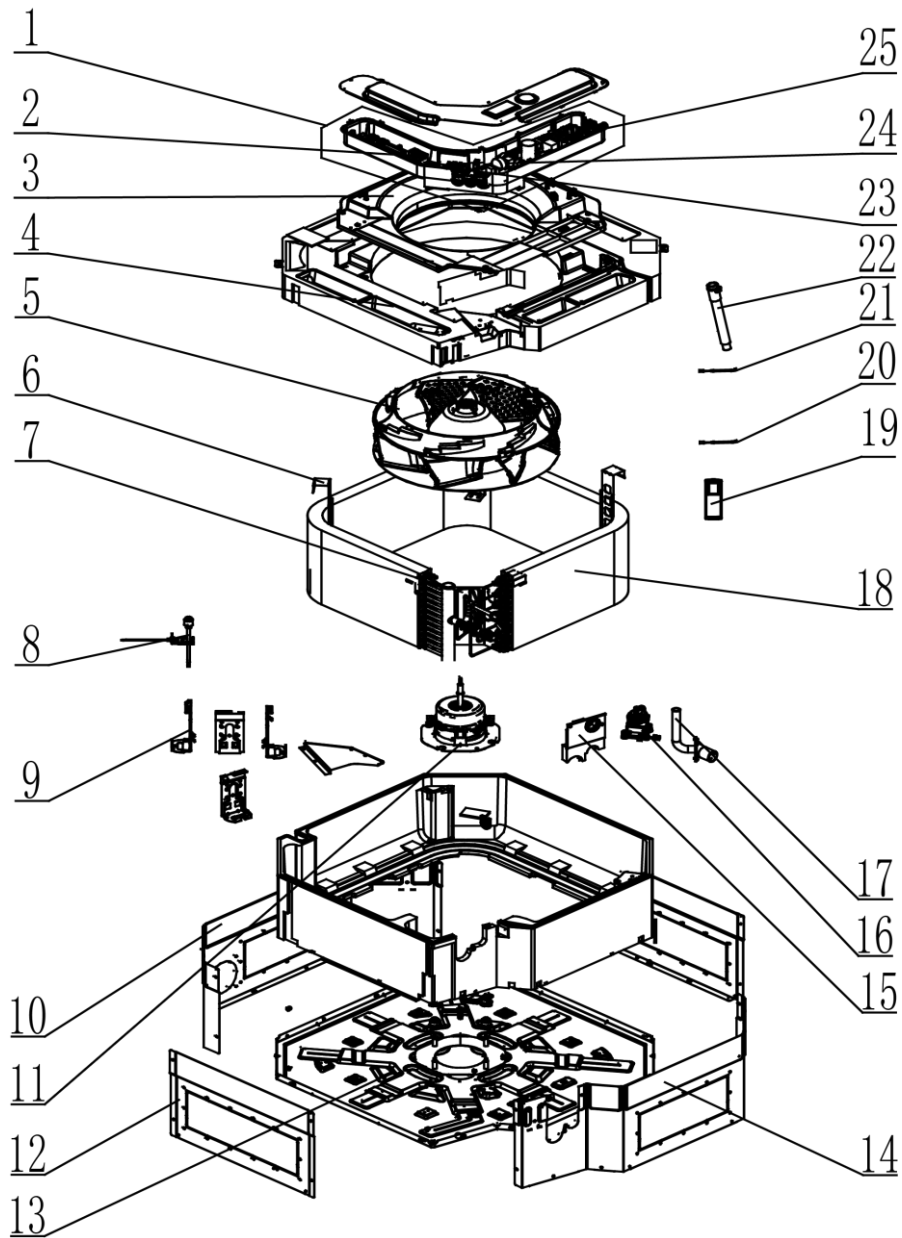
**GUD125T/A-T**(Product Code: ET010N1450)



No.	Material name	Finished Product Code	Quantity
1	Electric Box Assay	100002061280	1
2	Terminal Board	42018000551	1
3	Diversion Circle	10479400002	1
4	Water Tray Assay	000069060008	1
5	Fixed Mount1	01849400007	3
6	Evaporator Assay	011001000225	1
7	Liquid Level Switch	4502021601	1
8	Side Plate 1	01319400025	1
9	Body Installing Plate	01332701	4
10	Side Plate 3	01319400036	2
11	Seat Board Sub-assay	02229400011	1
12	Seal Plate Assay	01499400001	1
13	Side Plate 2	01319400026	1
14	Drainage Pipe Sub-assay	26909400055	1
15	Water Pump	43138000058	1
16	Brushless DC Motor	15709400009	1
17	Strainer	07415210	1
18	Connection Sheet Assay	01349400025	1
19	Remote Controller	305001060024	1
20	Temperature Sensor	390000453	1
21	Temperature Sensor	39000286	1
22	Drain Hose Sub-assay	05339400001	1
23	Centrifugal Fan	10429400003	1
24	Filter Board	30221000021	1
25	Main Board	300002060224	1
26	Terminal board	42000100000202	1



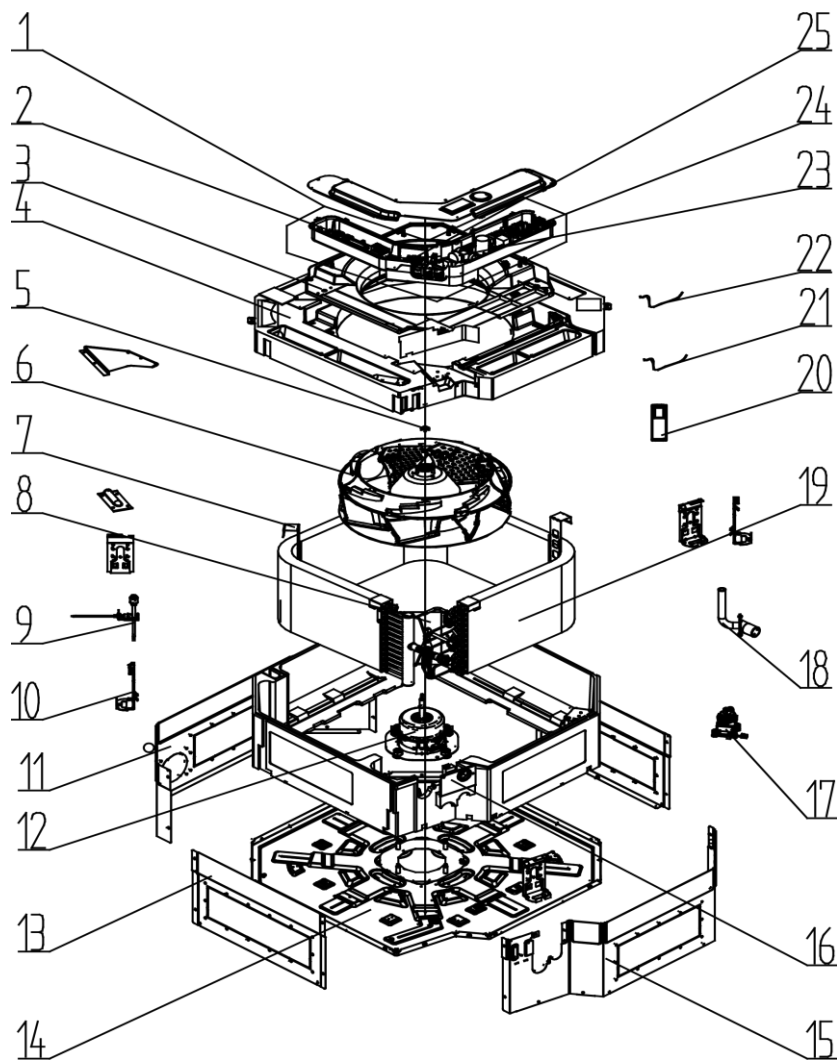
**GUD140T/A-T**(Product Code: ET010N1460)



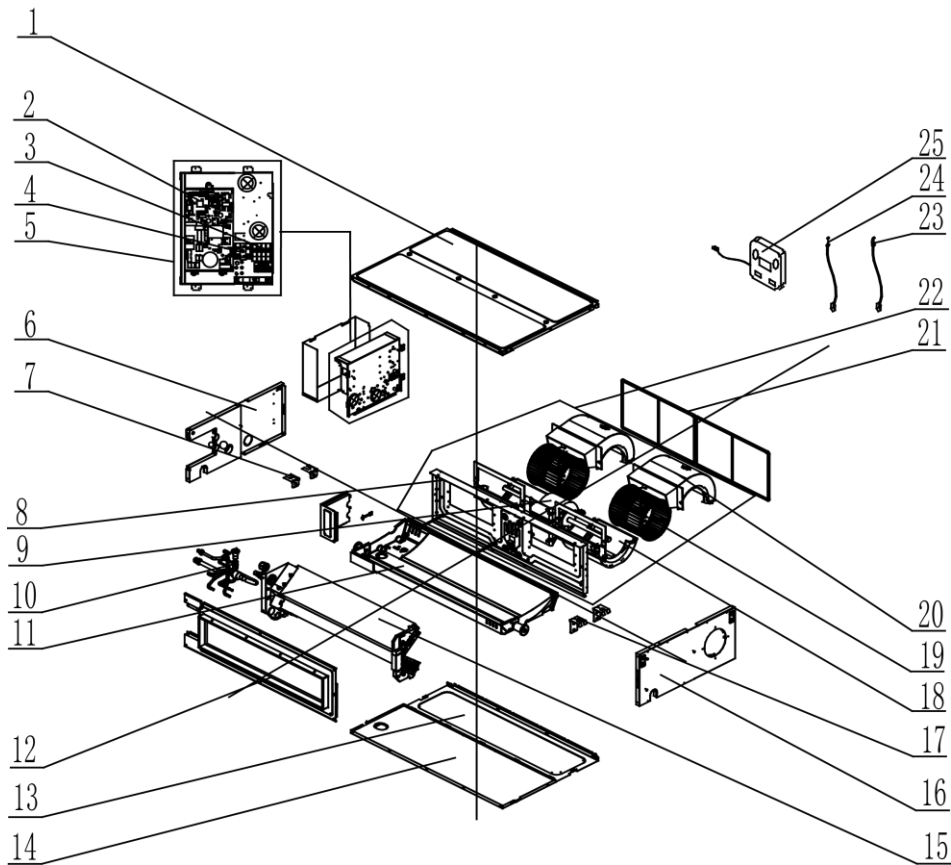
No.	Material name	Finished Product Code	Quantity
1	Electric Box Assy	100002061280	1
2	Terminal Board	42018000551	1
3	Diversion Circle	10479400002	1
4	Water Tray Assy	000069060008	1
5	Centrifugal	10429400003	1
6	Evaporator Support	1849406	3
7	Connection Sheet Assy	01249400012	1
8	Liquid Level Switch	4502021601	1
9	Body Installing Plate	01332701	4
10	Side Plate 1	01319400025	1
11	Brushless DC Motor	15709400009	1
12	Side Plate 3	01319400036	2

No.	Material name	Finished Product Code	Quantity
13	Seat Board Sub-assay	02229400011	1
14	Side Plate 2	01319400026	1
15	Seal Plate Assay	01499400001	1
16	Water Pump	43138000058	1
17	Drainage Pipe Sub-assay	26909400055	1
18	Evaporator Assay	011001060193	1
19	Remote Controller	305001060024	1
20	Temperature Sensor	390000453	1
21	Temperature Sensor	39000286	1
22	Drain Hose Sub-assay	05339400001	1
23	Terminal board	42000100000202	1
24	Filter Board	30221000021	1
25	Main Board	300002060224	1

**GUD160T/A-T**(Product Code: ET010N1470)



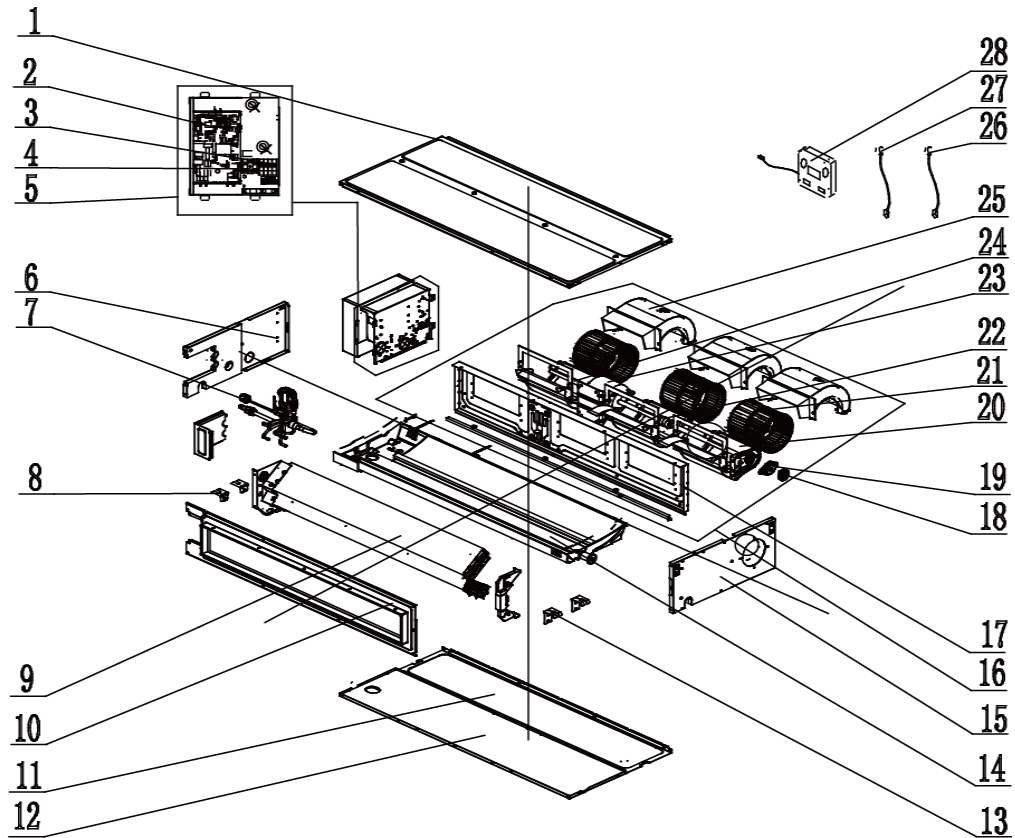
No.	Material name	Finished Product Code	Quantity
1	Electric Box Assay	100002061280	1
2	Terminal Board	4201800002601	1
3	Diversion Circle	10479400002	1
4	Water Tray Assay	01289400026	1
5	Fan Fixer	10312701	1
6	Centrifugal Fan	10429400003	1
7	Evaporator Support	01849406	1
8	Connected Board Assay of Evaporator	01249400012	1
9	Water Level Switch	4502021601	1
10	Body Installing Plate	01332701	1
11	Side Plate 1	01319400025	1
12	Brushless DC Motor	15709400009	1
13	Side Plate 3	01319400036	2
14	Base Plate Assay	02229400021	1
15	Side Plate 2	01319400026	1
16	Seal plate Assay	01499400001	1
17	Water Pump	43138000058	1
18	Drainage Pipe Sub-assay	26909400055	1
19	Evaporator Assay	011001060200	1
20	Remote Controller	305001060024	1
21	Temperature Sensor	39000286	1
22	Temperature Sensor	390000453	1
23	Filter Board	30221000021	1
24	Main Board	300002060224	1
25	Terminal Board	42000100000202	1

**GUD35P/A-T**(Product Code: CF022N1650)

No.	Material name	Finished Product Code	Quantity
1	Top Cover Board Assay	000132000019	1
2	Main Board	300002060223	1
3	Terminal Board	42018000551	1
4	Terminal Board	42011106	1
5	Electric Box Assay	100002002911	1
6	Left Side Plate Assay	01314100076	1
7	Hook 2	01344100034	2
8	Blower Mounting Plate Sub-assay	01325200034	1
9	Brushless DC Motor	1570410000102	1
10	Strainer	0721200102	1
11	Water Tray Assay	01285200020	1
12	Air Outlet Frame Assay	01374100057	1
13	Cover Plate ( Air return )	01265200057	1
14	Bottom Cover Plate Assay	01264100102	1
15	Evaporator Assay	011001000473	1
16	Right Side Plate Assay	01315200053	1
17	Hook	02112446	2
18	Propeller Housing ( Lower )	26905200019	2
19	Centrifugal Fan	10425200003	2
20	Propeller Housing ( Upper )	26905200018	2
21	Filter Sub-assay	111001000082	2

No.	Material name	Finished Product Code	Quantity
22	Centrifugal Fan Assy	15404100031	1
23	Temperature Sensor	390000597	1
24	Ambient Temperature Sensor	39000191	1
25	Display Board	300001000204	1

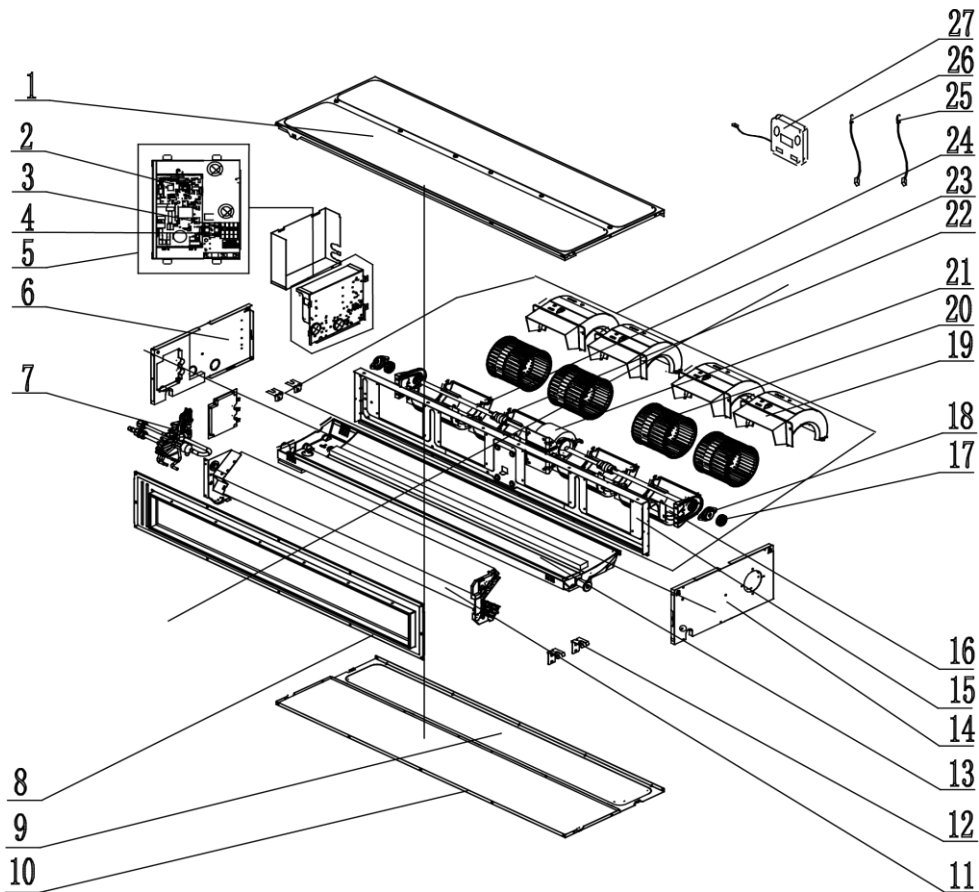
**GUD50P/A-T**(Product Code: CF022N1630)



No.	Material name	Finished Product Code	Quantity
1	Top Cover Board Assy	000132000020	1
2	Main Board	300002060223	1
3	Terminal Board	42018000551	1
4	Terminal Board	42011106	1
5	Electric Box Assy	100002002911	1
6	Left Side Plate Assy	01314100076	1
7	Strainer	0721200102	1
8	Hook 2	01344100034	2
9	Evaporator Assy	011001060229	1
10	Air Outlet Frame Assy	01374100058	1
11	Cover Of Air-in	01265200073	1
12	Bottom Cover Plate Assy	01264100103	1
13	Hook	02112446	2
14	Water Tray Assy	01285200022	1
15	Right Side Plate Assy	01315200053	1

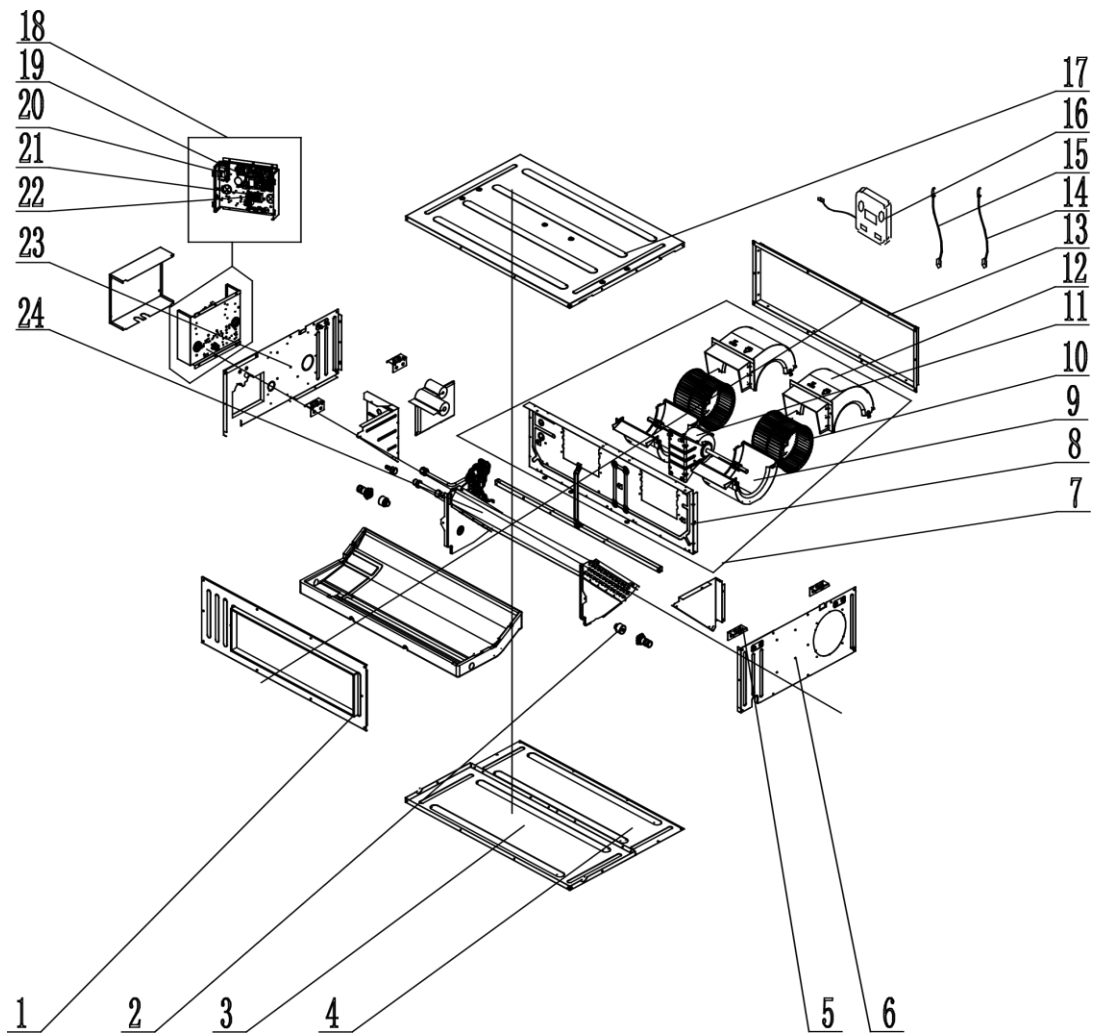
No.	Material name	Finished Product Code	Quantity
16	Centrifugal Fan Assy	15404100032	1
17	Blower Mounting Plate Sub-assy	01325200035	1
18	Bearing Holder Sub-assy	26151139	1
19	Support Of Motor Bearing	02285200001	1
20	Propeller Housing ( Lower )	26905200019	3
21	Centrifugal Fan	15404100032	1
22	Joint Slack	73018731	1
23	Brushless DC Motor	1570410000102	1
24	Rotary Axis Sub-assy	73018761	1
25	Propeller Housing ( Upper )	26905200018	3
26	Temperature Sensor	390000597	1
27	Room Sensor	39000191	1
28	Display Board	300001000204	1

**GUD71P/A-T**(Product Code: CF022N1670), **GUD85P/A-T**(Product Code: CF022N1610)



No.	Material name	Finished Product Code	Quantity
1	Top Cover Board Assay	0126520015101	1
2	Main Board	300002060223	1
3	Terminal Board	42018000551	1
4	Terminal Board	42011106	1
5	Electric Box Assay	100002002911	1
6	Left Side Plate Assay	01315200170	1
7	Strainer	0721200102	1
8	Air Outlet Frame Assay	000141000021	1
9	Cover Of Air-in	01265200158	1
10	Bottom Cover Plate Assay	01265200152	1
11	Evaporator Assay	011001060080	1
12	Hook 2	01344100034	4
13	Water Tray Assay	000069000103	1
14	Right Side Plate Assay	01315200169	1
15	Blower Mounting Plate Sub-assay	01325200095	1
16	Propeller Housing (Lower)	26905200123	4
17	Bearing Holder Sub-assay	26151139	1
18	Support Of Motor Bearing	02285200001	1
19	Propeller Housing (Upper)	26905200122	4
20	Centrifugal Fan	000052060004	1
21	Brushless DC Motor	15704100001	1
22	Joint Slack	73018731	2
23	Rotary Axis Sub-assay	73018761	2
24	Centrifugal Fan Assay	000052060004	1
25	Temperature Sensor	390000597	1
26	Ambient Temperature Sensor	39000191	1
27	Display Board	300001000204	1

**GUD100PH/A-T**(Product Code: CF022N1590)



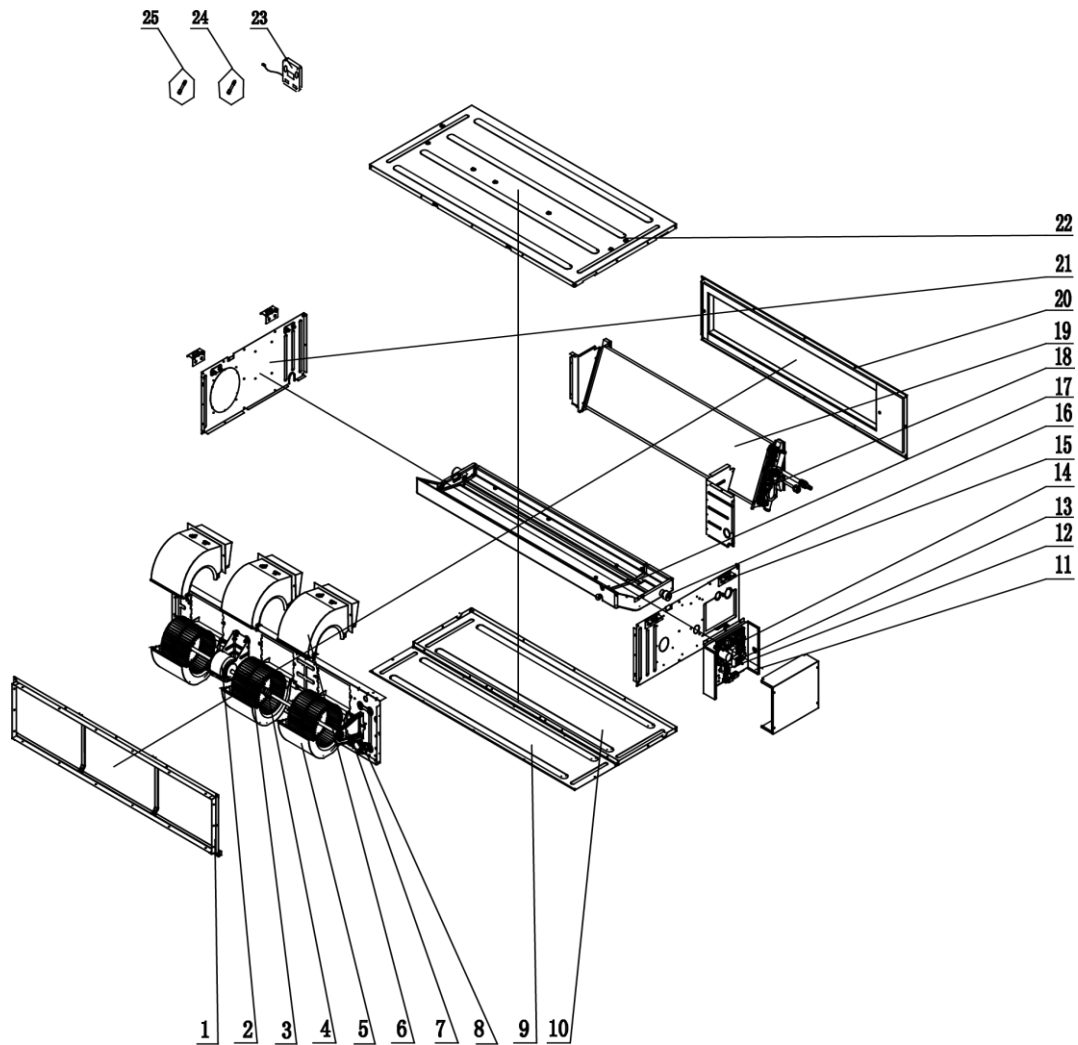
No.	Material name	Finished Product Code	Quantity
1	Air Outlet Frame Assy	01375200026	1
2	Choke Plug of Drain Pipe	76815214	1
3	Bottom Cover Plate	01265200131	1
4	Cover Of Air-in	01265200132	1
5	Hook	02112466	4
6	Right Side Plate Assy	01315200124	1
7	Centrifugal Fan Assy	000052060069	1
8	Blower Mounting Plate Sub-assy	01325200079	1
9	Propeller Housing ( Lower )	26905200079	2
10	Centrifugal Fan	000052060069	1
11	Brushless DC Motor	15705200016	1
12	Propeller Housing ( Upper )	26905200078	2
13	Air Outlet Frame Assy	01375200026	1
14	Temperature Sensor	390001921	1
15	Ambient Temperature Sensor	3900012123	1
16	Display Board	300001000204	1
17	Top Cover Board Assy	01265200130	1



No.	Material name	Finished Product Code	Quantity
18	Electric Box Assay	100002061152	1
19	Main Board	300002060227	1
20	Filter Board	300020000017	1
21	Terminal Board	42018000551	1
22	Terminal Board	42000100000101	1
23	Left Side Plate Assay	01315200147	1
24	Evaporator Assay	011001060100	1

**GUD125PH/A-T**(Product Code: CF022N1570),

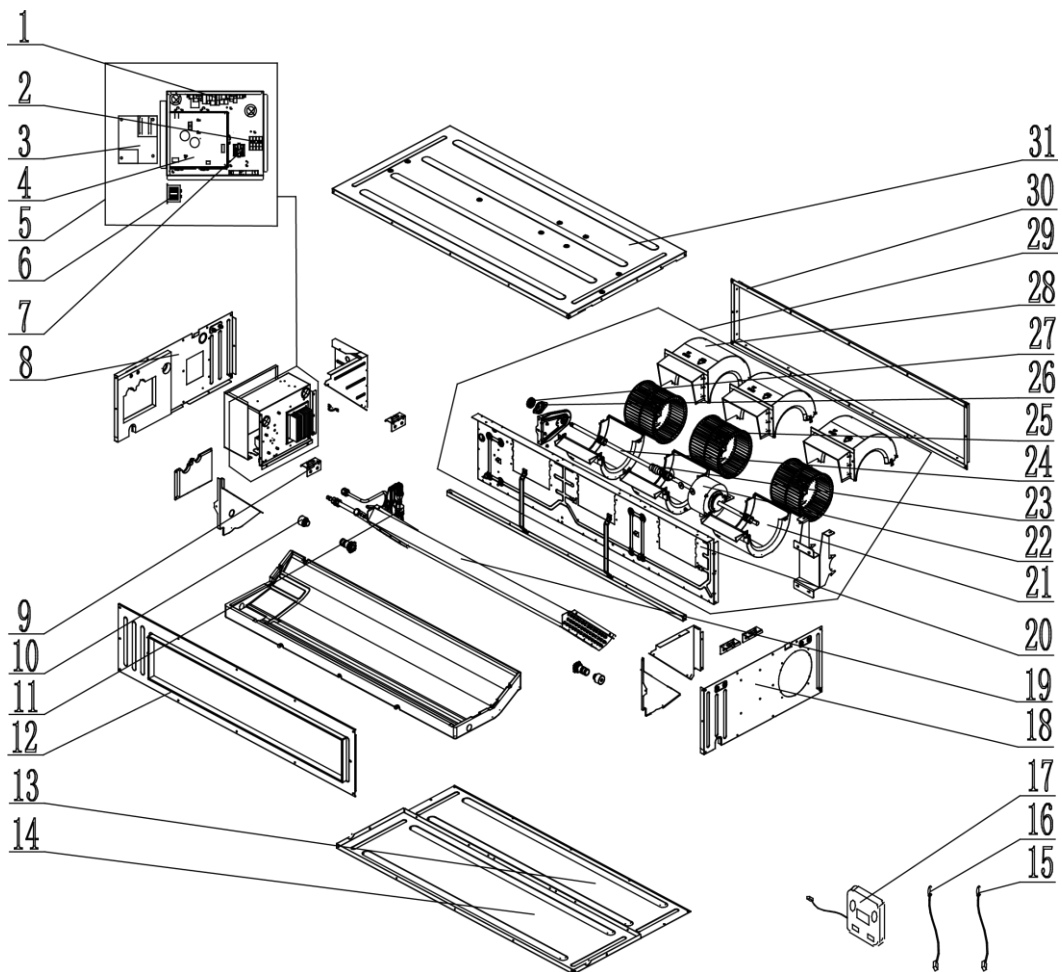
**GUD140PH/A-T**(Product Code: CF022N1550)



No.	Material name	Finished Product Code	Quantity
1	Return Air Frame Sub-assay	017026000003	1
2	Brushless DC Motor	1570940000603	1
3	Centrifugal Fan	10455200003	3
4	Joint Slack	73018731	1
5	Propeller Housing	26905200079	3
6	Propeller Housing	26905200078	3
7	Bearing Holder Sub-assay	26151139	1

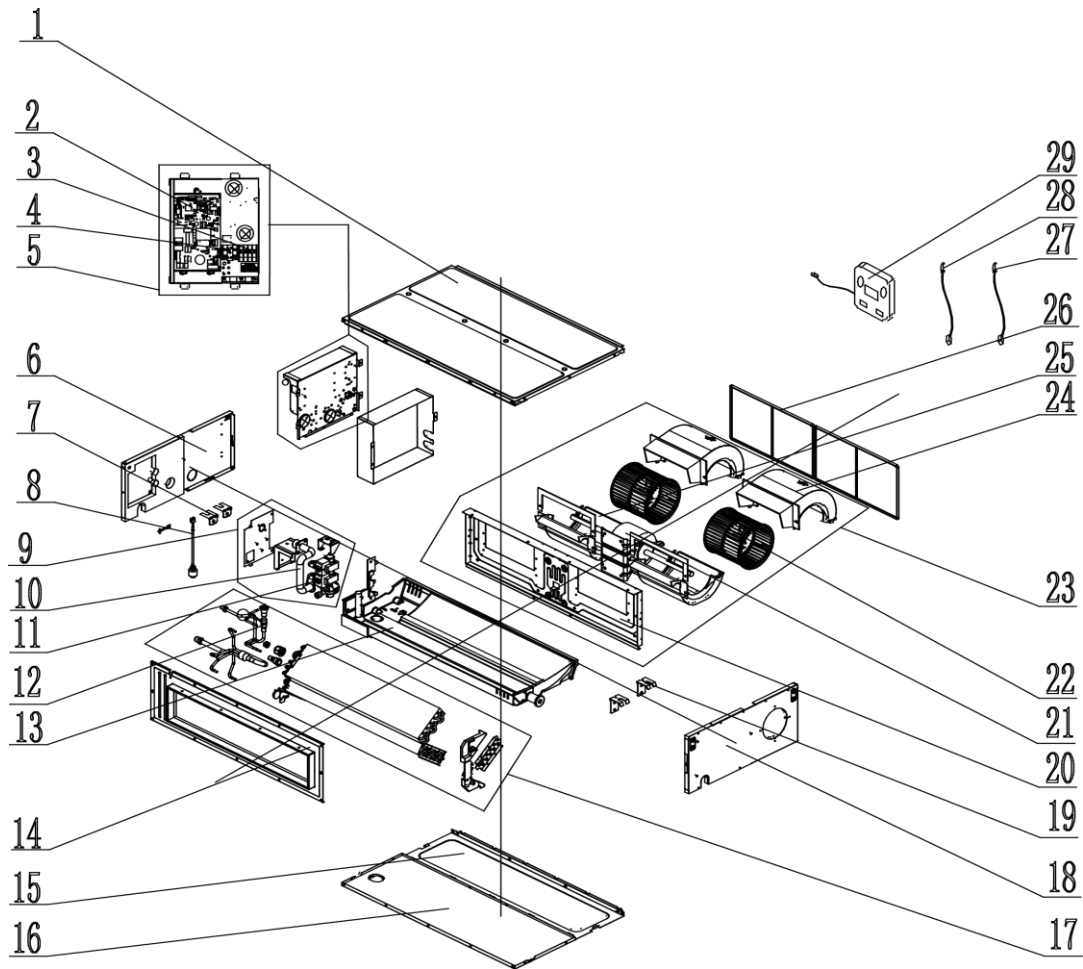
No.	Material name	Finished Product Code	Quantity
8	Support Of Motor Bearing	02285200001	1
9	Cover Plate(Air return)	01265200123	1
10	Bottom Cover Plate	01265200125	1
11	Electric Box Assay	100002061152	1
12	Terminal Board	42000100000101	1
13	Terminal Board	42018000551	1
14	Main Board	300002060227	1
15	Hook	02112466	4
16	Choke Plug of Drain Pipe	76815214	1
17	Foam Sub-assay	12505200021	
18	Strainer	0741520000201	1
19	Evaporator Assay	011001060191	1
20	Air Outlet Frame Assay	01375200023	1
21	Right Side Plate Assay	01315200124	1
22	Top Cover Board Assay	01265200122	1
23	Display Board	300001000204	1
24	Temperature Sensor	390001921	1
25	Ambient Temperature Sensor	3900012123	1

**GUD160PH/A-T**(Product Code: CF022N1530)



No.	Material name	Finished Product Code	Quantity
1	Main Board	300002060223	1
2	Terminal Board	4201800002601	1
3	Radiator	49018000068	1
4	Main Board	30221000033	1
5	Electric Box Assay	100002061236	1
6	Reactor	43138000047	1
7	Terminal Board	42000100000101	1
8	Left Side Plate Assay	01314100118	1
9	Hook	02112466	4
10	Choke Plug of Drain Pipe	76815214	1
11	Strainer	07415210	1
12	Air Outlet Frame Assay	01375200023	1
13	Cover Plate(Air return)	01265200123	1
14	Bottom Cover Plate	01265200125	1
15	Temperature Sensor	390001921	1
16	Ambient Temperature Sensor	3900012123	1
17	Display Board	300001000204	1
18	Right Side Plate Assay	01315200148	1
19	Evaporator Assay	011001060187	1
20	Blower Mounting Plate Sub-assay	01325200076	1
21	Propeller Housing(Lower)	26905200079	3
22	Brushless DC Motor	1570940000801	1
23	Joint Slack	73018731	1
24	Rotary Axis Sub-assay	73018000117	1
25	Centrifugal Fan	10455200003	3
26	Support Of Motor Bearing	02285200001	1
27	Bearing Holder Sub-assay	26151139	1
28	Propeller Housing(Upper)	26905200078	3
29	Centrifugal Fan Assay	000052000029	1
30	Return Air Frame Sub-assay	01375200029	1
31	Top Cover Board Assay	01264100105	1

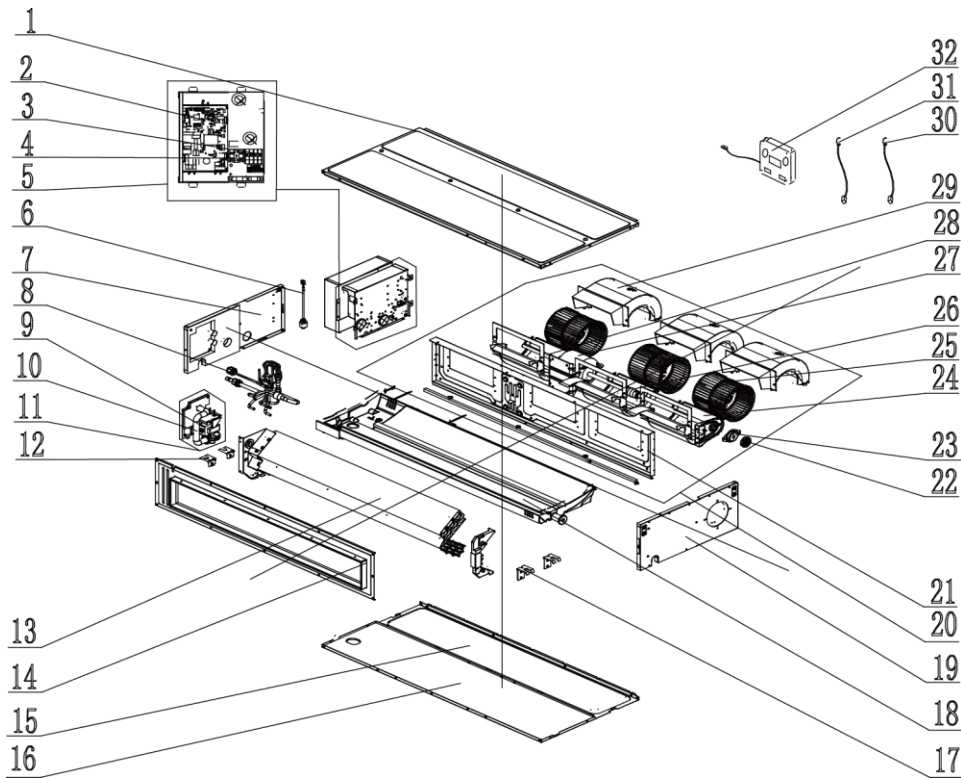
**GUD35PS/A-T**(Product Code: CF022N1640)



No.	Material name	Finished Product Code	Quantity
1	Top Cover Board Assy	000132000019	1
2	Main Board	300002060223	1
3	Terminal Board	42018000551	1
4	Terminal Board	42011106	1
5	Electric Box Assy	100002002911	1
6	Left Side Plate Assy	000080000022	1
7	Hook 2	01344100034	2
8	Liquid Level Switch	430024000005	1
9	Water Pump Assy	000104060009	1
10	Drainage Pipe ( Rubber )	760022000001	1
11	Water Pump	812007060016	1
12	Strainer	0721200102	1
13	Water Tray Assy	01285200020	1
14	Air Outlet Frame Assy	01374100057	1
15	Cover Plate ( Air return )	01265200057	1
16	Bottom Cover Plate Assy	01264100102	1
17	Evaporator Assy	011001000473	1
18	Right Side Plate Assy	01315200053	1

No.	Material name	Finished Product Code	Quantity
19	Hook	02112446	2
20	Blower Mounting Plate Sub-assay	01325200034	1
21	Brushless DC Motor	1570410000102	1
22	Centrifugal Fan	10425200003	2
23	Centrifugal Fan Assay	15404100031	1
24	Propeller Housing ( Upper )	26905200018	2
25	Propeller Housing ( Lower )	26905200019	2
26	Filter Sub-assay	111001000082	2
27	Temperature Sensor	390000597	1
28	Ambient Temperature Sensor	39000191	1
29	Display Board	300001000204	1

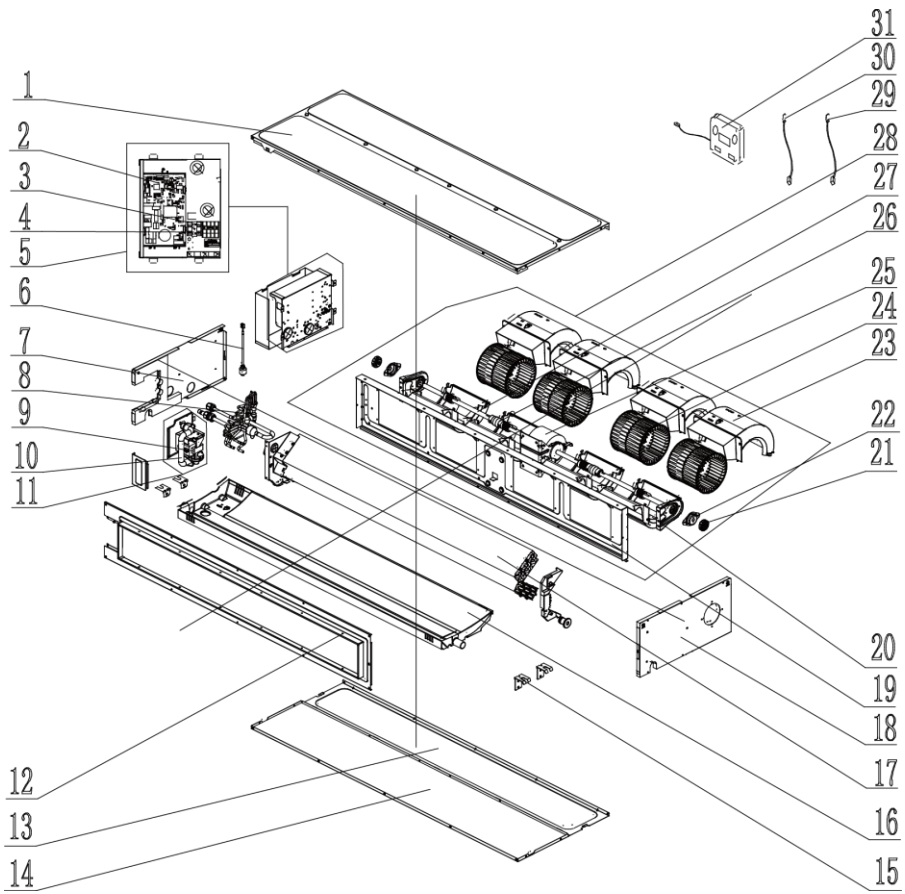
**GUD50PS/A-T**(Product Code: CF022N1620)



No.	Material name	Finished Product Code	Quantity
1	Top Cover Board Assay	000132000020	1
2	Main Board	300002060223	1
3	Terminal Board	42018000551	1
4	Terminal Board	42011106	1
5	Electric Box Assay	100002002911	1
6	Liquid Level Switch	430024000005	1
7	Left Side Plate Assay	000080000022	1
8	Strainer	0721200102	1
9	Water Pump	812007060016	1
10	Drainage Pipe ( Rubber )	760022000001	1

No.	Material name	Finished Product Code	Quantity
11	Water Pump Assay	000104060009	1
12	Hook 2	01344100034	2
13	Evaporator Assay	011001060229	1
14	Air Outlet Frame Assay	01374100058	1
15	Cover Of Air-in	01265200073	1
16	Bottom Cover Plate Assay	01264100103	1
17	Hook	02112446	2
18	Water Tray Assay	01285200022	1
19	Right Side Plate Assay	01315200053	1
20	Centrifugal Fan Assay	15404100032	1
21	Blower Mounting Plate Sub-assay	01325200035	1
22	Bearing Holder Sub-assay	26151139	1
23	Support Of Motor Bearing	02285200001	1
24	Propeller Housing ( Lower )	26905200019	3
25	Centrifugal Fan	15404100032	1
26	Joint Slack	73018731	1
27	Brushless DC Motor	1570410000102	1
28	Rotary Axis Sub-assay	73018761	1
29	Propeller Housing ( Upper )	26905200018	3
30	Temperature Sensor	390000597	1
31	Room Sensor	39000191	1
32	Display Board	300001000204	1

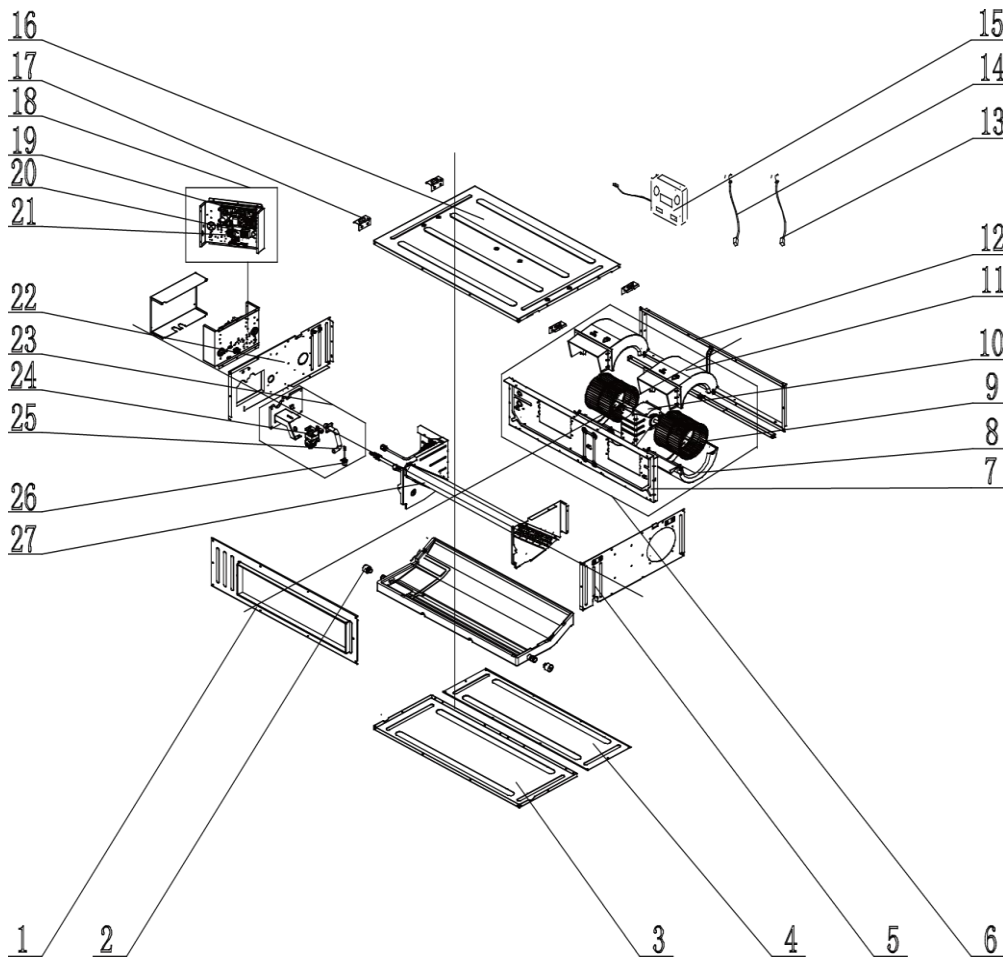
**GUD71PS/A-T**(Product Code: CF022N1660),**GUD85PS/A-T**(Product Code: CF022N1600)



No.	Material name	Finished Product Code	Quantity
1	Top Cover Board Assay	0126520015101	1
2	Main Board	300002060223	1
3	Terminal Board	42018000551	1
4	Terminal Board	42011106	1
5	Electric Box Assay	100002002911	1
6	Liquid Level Switch	430024000005	1
7	Left Side Plate Assay	000080000025	1
8	Strainer	0721200102	1
9	Water Pump	812007060016	1
10	Drainage Pipe ( Rubber )	760022000001	1
11	Water Pump Assay	000104060009	1
12	Air Outlet Frame Assay	000141000021	1
13	Cover Of Air-in	01265200158	1
14	Bottom Cover Plate Assay	01265200152	1
15	Hook 2	01344100034	4
16	Water Tray Assay	000069000103	1
17	Evaporator Assay	011001060080	1
18	Right Side Plate Assay	01315200169	1
19	Blower Mounting Plate Sub-assay	01325200095	1
20	Propeller Housing ( Lower )	26905200123	4
21	Bearing Holder Sub-assay	26151139	1

No.	Material name	Finished Product Code	Quantity
22	Support Of Motor Bearing	02285200001	1
23	Propeller Housing ( Upper )	26905200122	4
24	Centrifugal Fan	000052060004	1
25	Brushless DC Motor	15704100001	1
26	Joint Slack	7301873173018731	2
27	Rotary Axis Sub-assay	73018761	2
28	Centrifugal Fan Assay	000052060004	1
29	Temperature Sensor	390000597	1
30	Ambient Temperature Sensor	39000191	1
31	Display Board	300001000204	1

**GUD100PHS/A-T**(Product Code: CF022N1580)



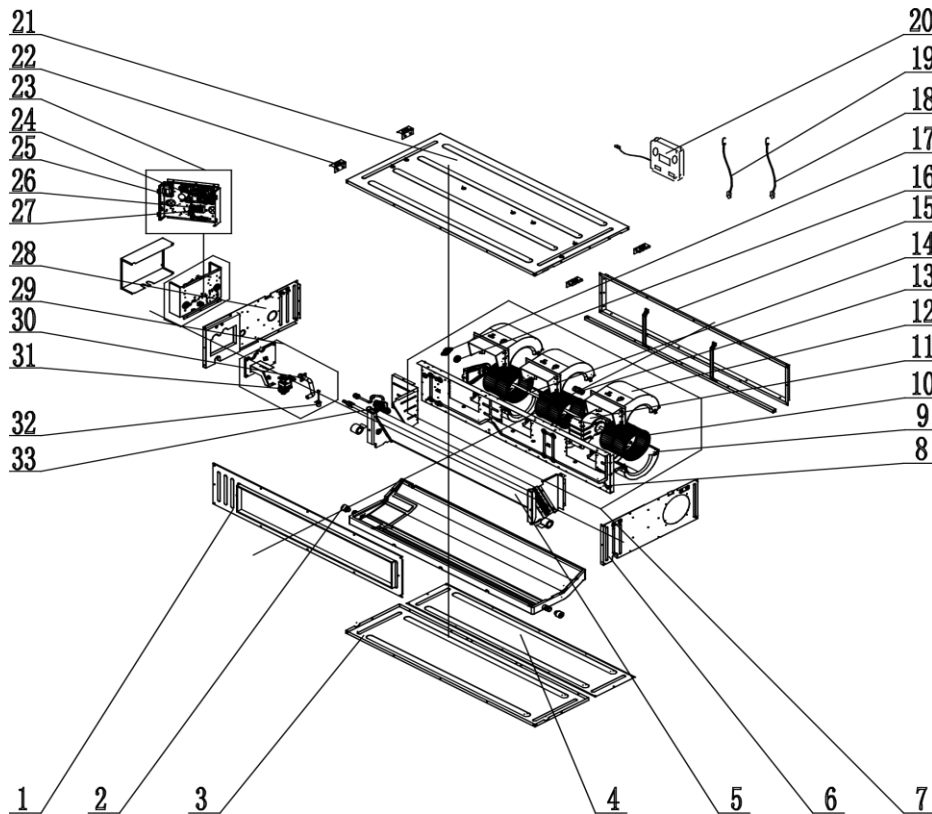
No.	Material name	Finished Product Code	Quantity
1	Air Outlet Frame Assay	01375200026	1
2	Choke Plug of Drain Pipe	76815214	2
3	Bottom Cover Plate	01265200131	1
4	Cover Of Air-in	01265200132	1
5	Right Side Plate Assay	01315200124	1
6	Centrifugal Fan Assay	000052060069	1
7	Blower Mounting Plate Sub-assay	01325200079	1
8	Propeller Housing(Lower)	26905200079	2



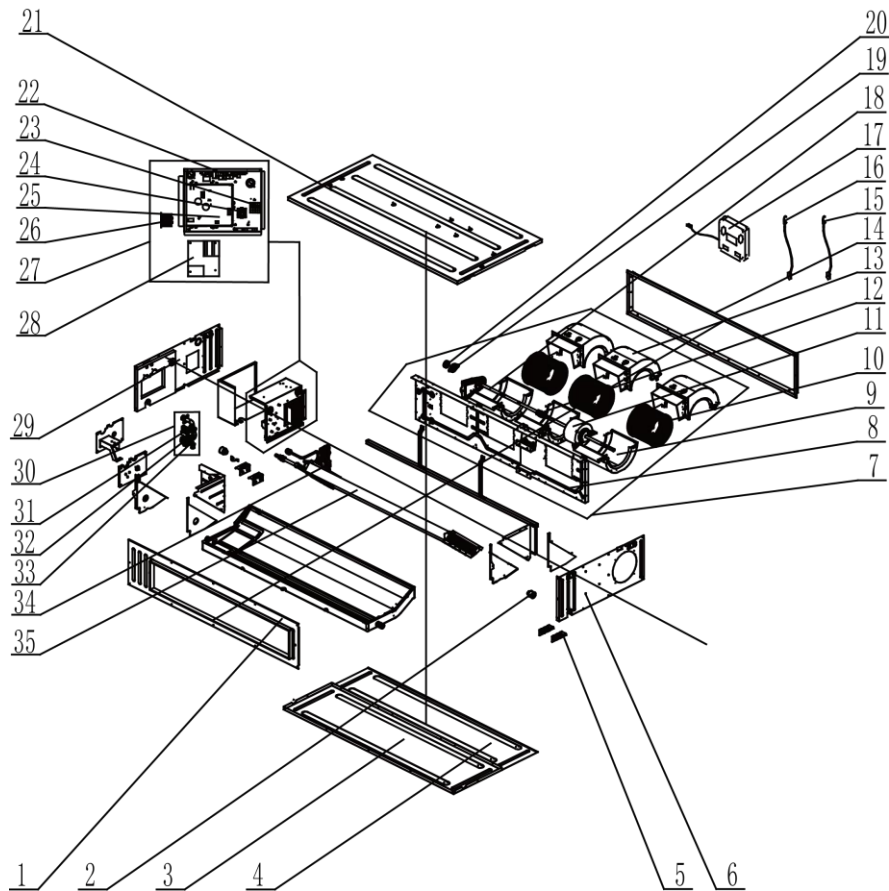
No.	Material name	Finished Product Code	Quantity
9	Centrifugal Fan	000052060069	1
10	Brushless DC Motor	15705200016	1
11	Propeller Housing(Upper)	26905200078	2
12	Return Air Frame Sub-assay	017026000002	1
13	Ambient Temperature Sensor	390001921	1
14	Temperature Sensor	3900012123	1
15	Display Board	300001000204	1
16	Top Cover Board Assay	01265200130	1
17	Hook	02112466	4
18	Electric Box Assay	100002061152	1
19	Main Board	300002060227	1
20	Terminal Board	42018000551	1
21	Terminal Board	42000100000101	1
22	Left Side Plate Assay	01315200147	1
23	Water Pump Assay	000104060007	1
24	Water Pump	81200706001601	1
25	Pump Drainpipe	200070060004	1
26	Liquid Level Switch	430024000005	1
27	Evaporator Assay	011001060100	1

**GUD125PHS/A-T**(Product Code: CF022N1560),

**GUD140PHS/A-T**(Product Code: CF022N1540)



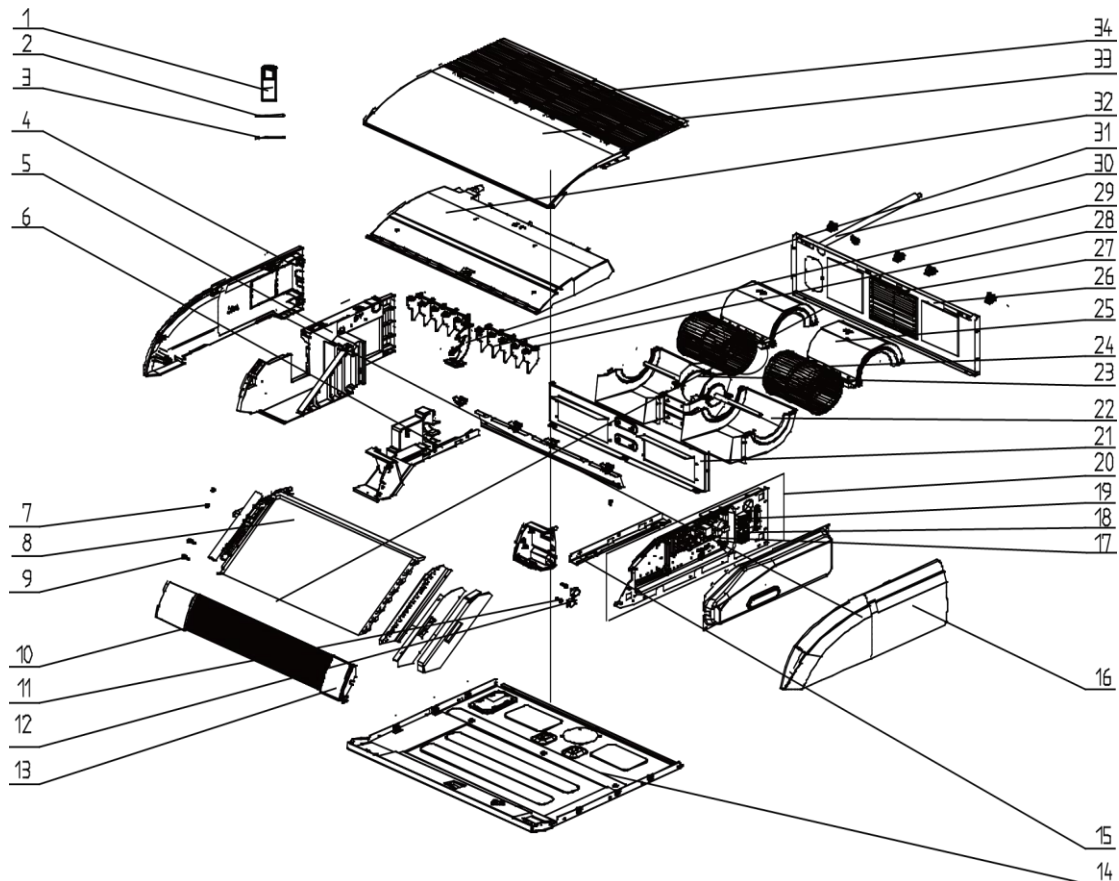
No.	Material name	Finished Product Code	Quantity
1	Air Outlet Frame Assay	01375200023	1
2	Choke Plug of Drain Pipe	76815214	2
3	Bottom Cover Plate	01265200125	1
4	Cover Plate(Air return)	01265200123	1
5	Evaporator Assay	011001060191	1
6	Right Side Plate Assay	01315200124	1
7	Centrifugal Fan Assay	000052060096	1
8	Blower Mounting Plate Sub-assay	01325200076	1
9	Propeller Housing(Lower)	26905200079	3
10	Centrifugal Fan	10455200003	3
11	Brushless DC Motor	1570940000603	1
12	Propeller Housing(Upper)	26905200078	3
13	Joint Slack	73018731	1
14	Rotary Axis Sub-assay	73018000117	1
15	Return Air Frame Sub-assay	017026000003	1
16	Bearing Holder Sub-assay	26151139	1
17	Support Of Motor Bearing	02285200001	1
18	Temperature Sensor	390001921	1
19	Ambient Temperature Sensor	3900012123	1
20	Display Board	300001000204	1
21	Top Cover Board Assay	01265200122	1
22	Hook	02112466	4
23	Electric Box Assay	100002061152	1
24	Main Board	300002060227	1
25	Filter Board	300020000017	1
26	Terminal Board	42000100000101	1
27	Terminal Board	42018000551	1
28	Left Side Plate Assay	01315200125	1
29	Water Pump Assay	000104060007	1
30	Pump Drainpipe	200070060004	1
31	Water Pump	81200706001601	1
32	Liquid Level Switch	430024000005	1
33	Strainer	0741520000201	1

**GUD160PHS/A-T**(Product Code: CF022N1520)

No.	Material name	Finished Product Code	Quantity
1	Air Outlet Frame Assay	01375200023	1
2	Choke Plug of Drain Pipe	76815214	2
3	Bottom Cover Plate	01265200125	1
4	Cover Plate(Air return)	01265200123	1
5	Hook	02112466	4
6	Right Side Plate Assay	01315200148	1
7	Centrifugal Fan Assay	000052000029	1
8	Blower Mounting Plate Sub-assay	01325200076	1
9	Propeller Housing(Lower)	26905200079	3
10	Centrifugal Fan	10455200003	3
11	Brushless DC Motor	1570940000801	1
12	Joint Slack	73018731	1
13	Propeller Housing(Upper)	26905200078	3
14	Return Air Frame Sub-assay	01375200029	1
15	Temperature Sensor	390001921	1
16	Ambient Temperature Sensor	3900012123	1
17	Display Board	300001000204	1
18	Rotary Axis Sub-assay	73018000117	1
19	Support Of Motor Bearing	02285200001	1
20	Bearing Holder Sub-assay	26151139	1

No.	Material name	Finished Product Code	Quantity
21	Top Cover Board Assay	01264100105	1
22	Main Board	300002060223	1
23	Terminal Board	4201800002601	1
24	Terminal Board	42000100000101	1
25	Main Board	30221000033	1
26	Reactor	43138000047	1
27	Electric Box Assay	100002061236	1
28	Radiator	49018000068	1
29	Left Side Plate Assay	01314100118	1
30	Water Pump Assay	000104060001	1
31	Pump Drainpipe	200070060004	1
32	Water Pump	4313822001	1
33	Liquid Level Switch	430024000005	1
34	Strainer	07415210	1
35	Evaporator Assay	011001060187	1

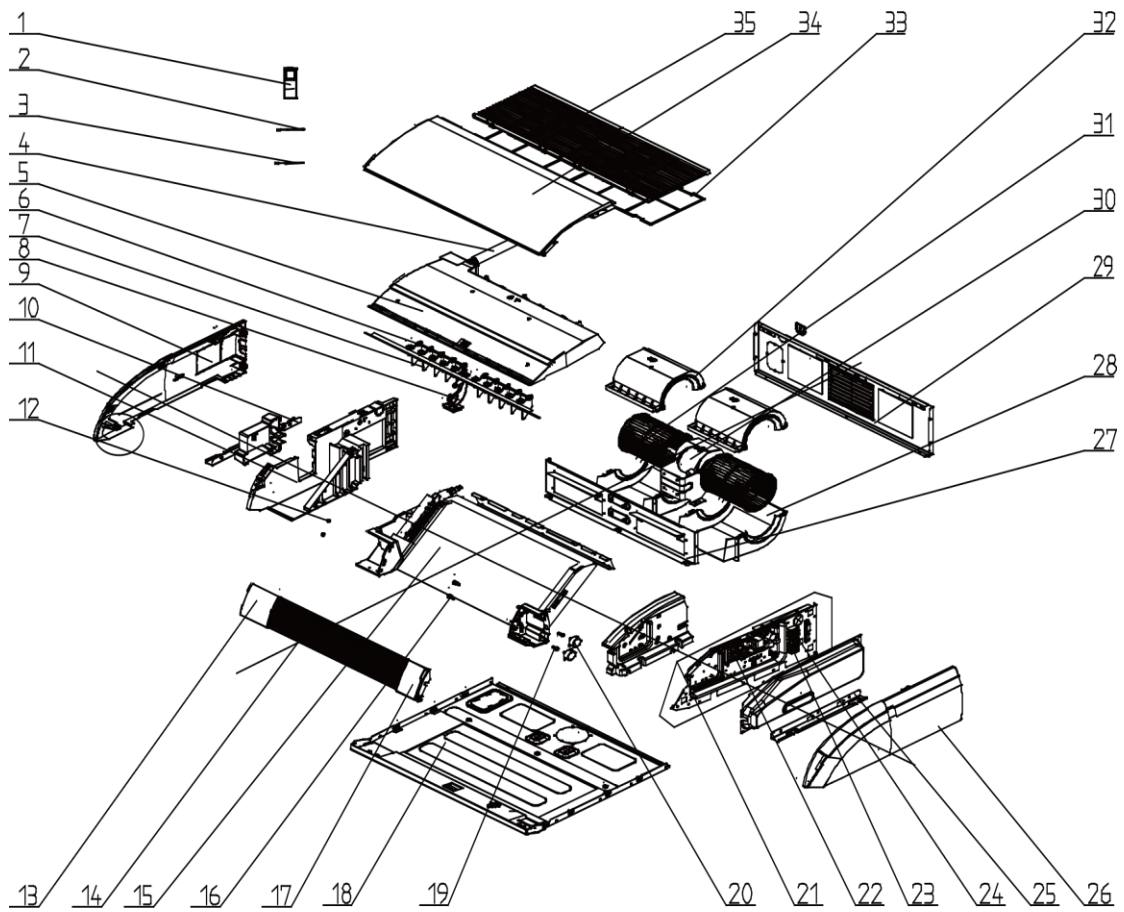
GUD35ZD/A-T(Product Code: ED020N1720)



No.	Material name	Finished Product Code	Quantity
1	Remote Controller	305001060024	1
2	Ambient Temperature Sensor	3900012123	1
3	Temperature Sensor	390001923	1
4	Right Cover Plate	26909400071	1

No.	Material name	Finished Product Code	Quantity
5	Right Side Plate	26909400074	1
6	Installation Supporting Frame(right)	01809402	1
7	Axial Bush	10542704	2
8	Evaporator Assay	011001060235	1
9	Rotating Shaft 3	26909430	2
10	Guide Louver	200004000046	2
11	Crankshaft	200023000001	2
12	Stepping Motor	1521240215	2
13	Display Board	30294000009	1
14	Base Plate Assay	011007000032	1
15	Installation Supporting Frame(Left)	01809401	1
16	Left Cover Plate	26909400070	1
17	Main Board	300002060226	1
18	Terminal Board	42018000551	1
19	Terminal Board	42000100000202	1
20	Electric Box Assay	100002003030	1
21	Clapboard Sub-assay	017021000088	1
22	Propeller Housing(Lower)	200230000001	2
23	Brushless DC Motor	15706000037	1
24	Centrifugal Fan	103003000001	2
25	Propeller Housing(Upper)	200230000002	2
26	Rear Side Plate Sub-assay	017051000046	1
27	Filter Sub-assay	111001000001	1
28	Swing Lever	10582009	2
29	Air Louver	200007000001	10
30	Drainage Pipe Sub-assay	05235434	1
31	Supporter(Guide Louver)	26909400076	1
32	Water Tray	200063000024	1
33	Top Cover	012148000046	1
34	Front Grill Sub-assay	200226000004	2

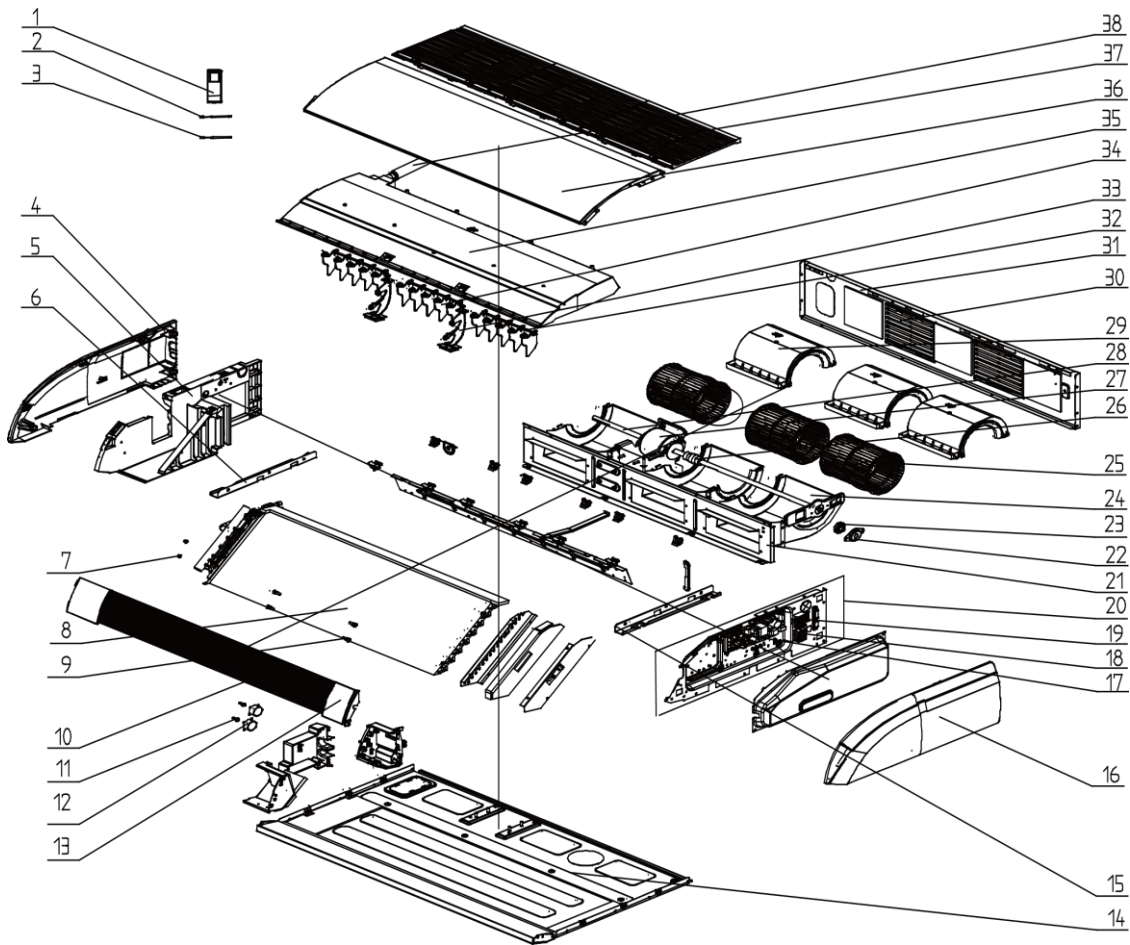
**GUD50ZD/A-T**(Product Code: ED020N1730)



No.	Material name	Finished Product Code	Quantity
1	Remote Controller	305001060024	1
2	Temperature Sensor	390001923	1
3	Ambient Temperature Sensor	3900012123	1
4	Drainage Pipe Sub-assay	05235434	1
5	Water Tray	200063000024	1
6	Swing Lever	10582009	2
7	Air Louver	200007000001	10
8	Supporter(Guide Louver)	26909400076	1
9	Right Cover Plate	26909400071	1
10	Installation Supporting Frame(Right)	01809402	1
11	Right Side Plate	26909400074	1
12	Axial Bush	10542704	2
13	Front Panel	200003000001	1
14	Guide Louver	200004000046	2
15	Evaporator Assay	011001000487	1
16	Rotating Shaft 3	26909430	2
17	Display Board	30294000009	1

No.	Material name	Finished Product Code	Quantity
18	Base Plate Assay	011007000032	1
19	Crankshaft	200023000001	2
20	Stepping Motor	1521240215	2
21	Electric Box Assay	100002003030	1
22	Main Board	300002060226	1
23	Terminal Board	42018000551	1
24	Terminal Board	42000100000202	1
25	Installation Supporting Frame(Left)	01809401	1
26	Left Cover Plate	26909400070	1
27	Clapboard Sub-assay	017021000088	1
28	Propeller Housing(Lower)	200230000001	2
29	Rear Side Plate Sub-assay	017051000046	1
30	Brushless DC Motor	15706000037	1
31	Centrifugal Fan	103003000001	2
32	Propeller Housing(Upper)	200230000002	2
33	Filter Sub-assay	111001000001	1
34	Top Cover	012148000046	1
35	Front Grill	200226000004	2

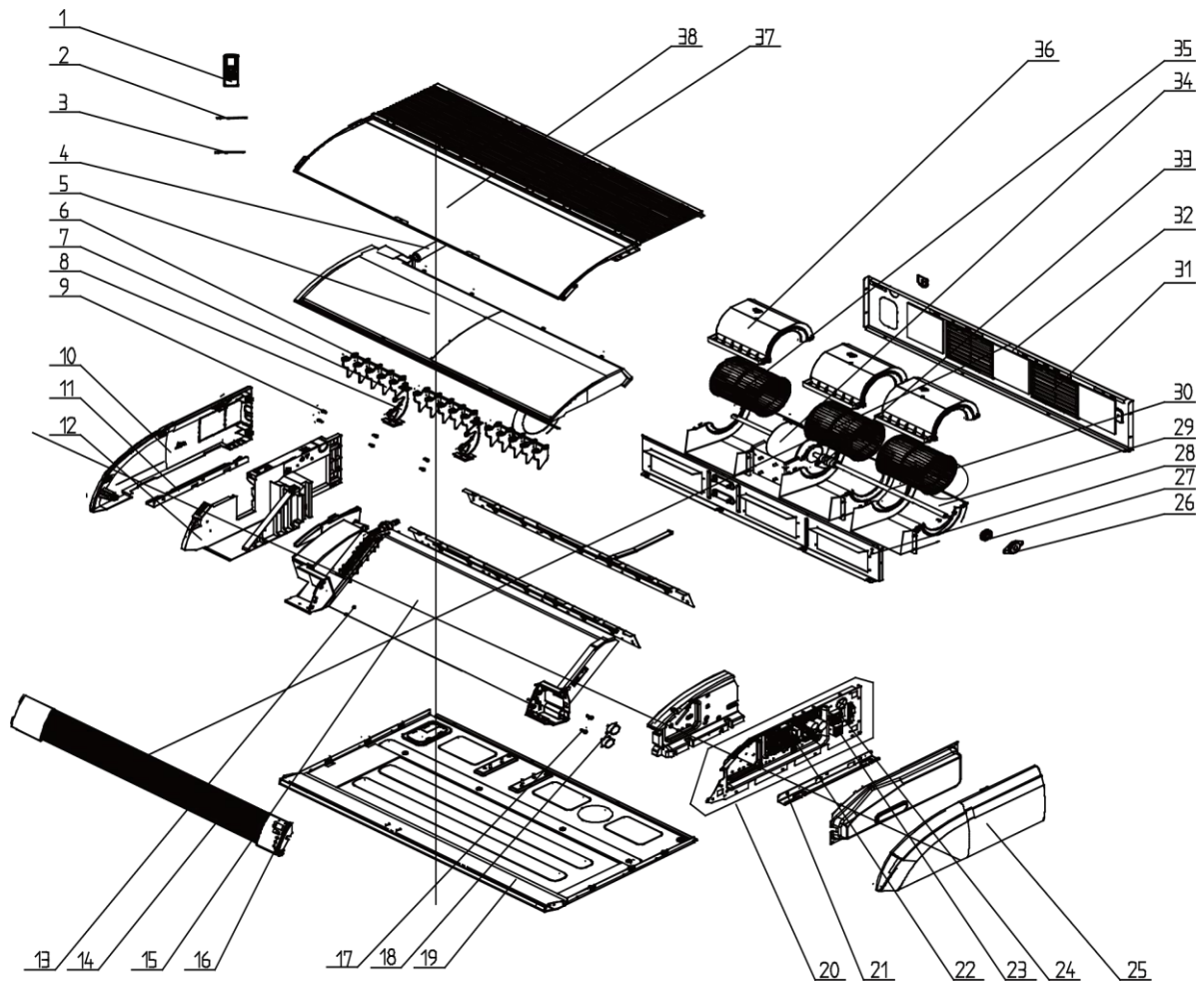
**GUD71ZD/A-T**(Product Code: ED020N1740), **GUD85ZD/A-T**(Product Code: ED020N1750)



No.	Material name	Finished Product Code	Remarks
1	Remote Controller	305001060024	1
2	Ambient Temperature Sensor	3900012123	1
3	Temperature Sensor	390001923	1
4	Right Cover Plate	26909400071	1
5	Right Side Plate	26909400074	1
6	Installation Supporting Frame(right)	01809402	1
7	Axial Bush	10542704	2
8	Evaporator Assay	011001000202	1
9	Rotating Shaft 3	26909430	4
10	Guide Louver	200004500422	2
11	Crankshaft	200023000001	2
12	Stepping Motor	1521240215	2
13	Display Board	30294000009	1
14	Base Plate Assay	011007000038	1
15	Installation Supporting Frame(Left)	01809401	1
16	Left Cover Plate	26909400070	1
17	Main Board	300002060226	1
18	Terminal Board	42018000551	1
19	Terminal board	42018000551	1



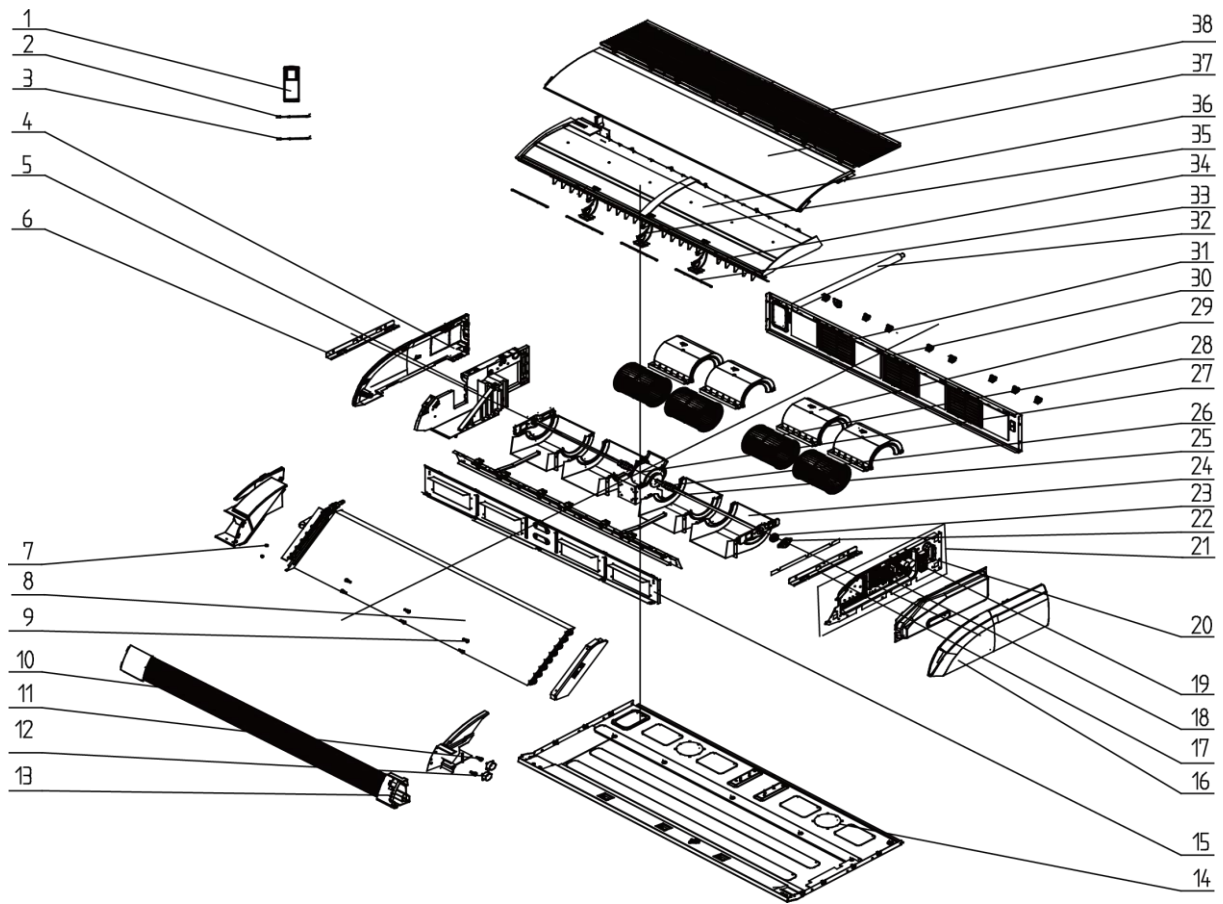
No.	Material name	Finished Product Code	Remarks
20	Electric Box Assay	100002003030	1
21	Clapboard Sub-Assay	01249400018	1
22	Support Of Motor Bearing	01792408	1
23	O-Gasket of Bearing	76512404	1
24	Propeller Housing(Lower)	200230000001	3
25	Centrifugal Fan	103003000001	3
26	Joint Slack	73018731	1
27	Brushless DC Motor	1570520000501	1
28	Roller Wheel	700004500433	1
29	Propeller Housing(Upper)	200230000002	3
30	Filter Sub-Assay	111001000001	2
31	Rear Side Plate Sub-Assay	017051000005	1
32	Swing Lever	10582009	3
33	Supporter(Guide Louver)	26909400076	2
34	Air Louver	200007000001	15
35	Water Tray	200063000003	1
36	Top Cover	01269400012	1
37	Front Grill	26909400072	1
38	Drainage Pipe Sub-Assay	05235434	1

**GUD100ZD/A-T**(Product Code: ED020N1680)

No.	Material name	Finished Product Code	Quantity
1	Remote Controller	305001060024	1
2	Temperature Sensor	390001921	1
3	Ambient Temperature Sensor	3900012123	1
4	Drainage Pipe Sub-Assay	05235434	1
5	Water Tray	200063000003	1
6	Swing Lever	10582009	3
7	Air Louver	200007000001	15
8	Supporter	26909400076	2
9	Rotating Shaft 3	26909430	4
10	Right Cover Plate	26909400071	1
11	Installation Supporting Frame(Right)	01809402	1
12	Right Side Plate	26909400074	1
13	Axial Bush	10542704	2
14	Guide Louver	200004500422	2
15	Evaporator Assay	011001000136	1
16	Display Board	30294000009	1
17	Crankshaft	200023000001	2
18	Stepping Motor	1521240206	2
19	Base Plate Assay	011007000038	1

No.	Material name	Finished Product Code	Quantity
20	Electric Box Assay	100002003030	1
21	Installation Supporting Frame(Left)	01809401	1
22	Main Board	300002060226	1
23	Terminal Board	42018000551	1
24	Terminal Board	42000100000202	1
25	Left Cover Plate	26909400070	1
26	Support Of Motor Bearing	01792408	1
27	O-Gasket of Bearing	76512404	1
28	Clapboard Assay	000075000040	1
29	Propeller Housing(Lower)	200230000001	3
30	Rotary Axis	700004500433	1
31	Filter Sub-Assay(Rear Side Plate)	111001000001	2
32	Rear Side Plate Sub-Assay	017051000005	1
33	Joint Slack	73018731	1
34	Fan Motor	1570520000501	1
35	Centrifugal Fan	103003000001	3
36	Propeller Housing(Upper)	200230000002	3
37	Front Grill Sub-Assay	26909400066	3
38	Top Cover	01269400012	1

**GUD125ZD/A-T**(Product Code: ED020N1690)

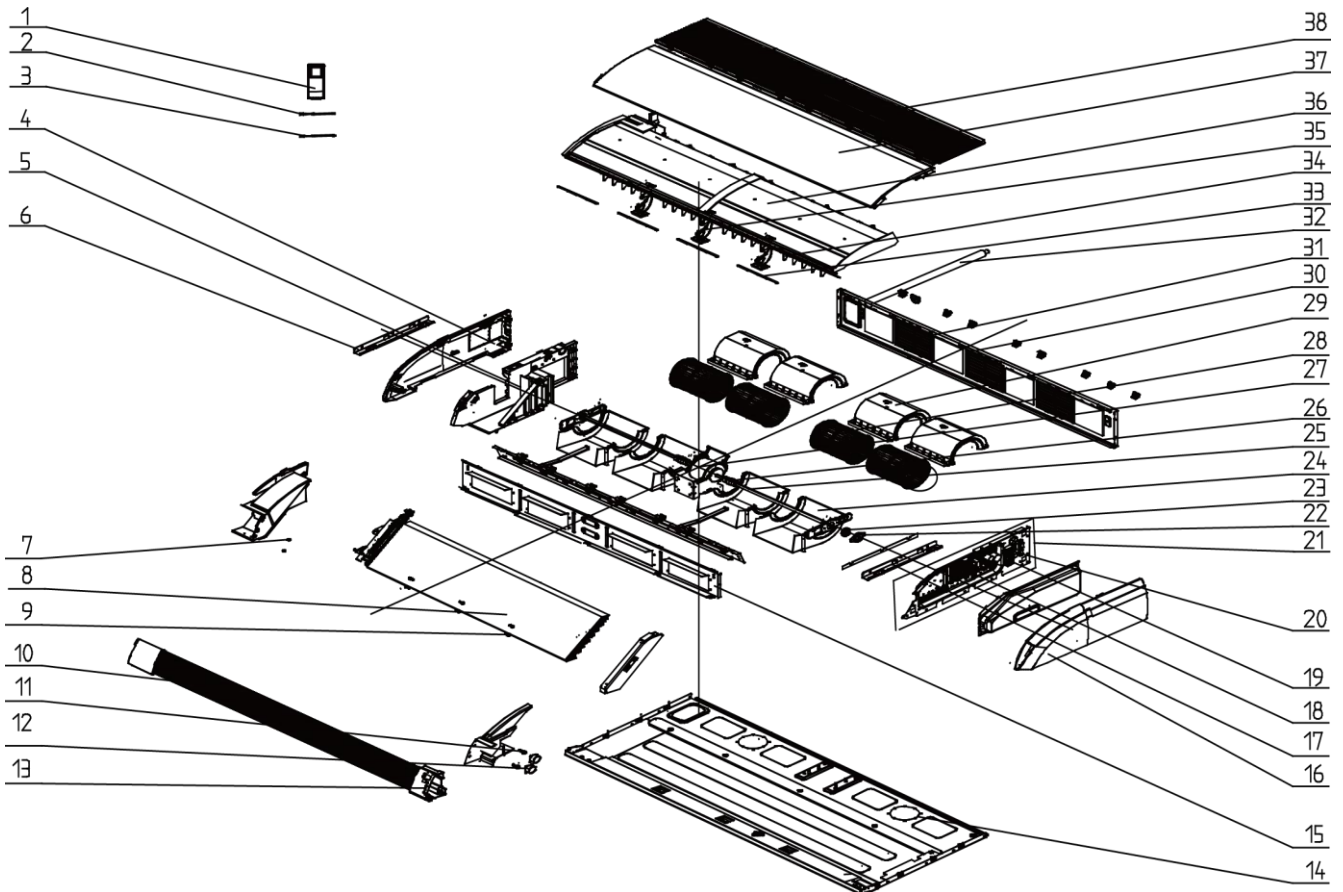


No.	Material name	Finished Product Code	Quantity
1	Remote Controller	305001060024	1
2	Ambient Temperature Sensor	3900012123	1
3	Tube Sensor	3900020720G	1
4	Right Cover Plate	26909400071	11
5	Right Side Plate	26909400074	1
6	Installation Supporting Frame(right)	01809402	1
7	Axial Bush	10542704	2
8	Evaporator Assy	011001060178	1
9	Rotating Shaft 3	26909430	6
10	Guide Louver	200004500426	2
11	Crankshaft	200023000001	2
12	Stepping Motor	1521240206	2
13	Display Board	30294000009	1
14	Base Plate Assy	011007060032	1
15	Clapboard Sub-Assay	01249400019	1
16	Left Cover Plate	26909400070	1
17	Installation Supporting Frame(Left)	01809401	1
18	Main Board	300002060226	1
19	Terminal Board	42018000551	1
20	Terminal Board	42000100000202	1

No.	Material name	Finished Product Code	Quantity
21	Electric Box Assay	100002003030	1
22	Support Of Motor Bearing	01792408	2
23	O-Gasket of Bearing	76512404	1
24	Propeller Housing(Lower)	200230000001	4
25	Roller Wheel	700004000001	2
26	Joint Slack	73018731	2
27	Brushless DC Motor	15709400005	1
28	Centrifugal Fan	103003000001	4
29	Propeller Housing(Upper)	200230000002	4
30	Rear Side Plate Sub-Assay	017051000006	1
31	Filter Sub-Assay	111001000001	3
32	Drainage Pipe Sub-Assay	05235434	1
33	Swing Lever	10582009	4
34	Air Louver	200007000001	20
35	Supporter(Guide Louver)	26909400076	3
36	Water Tray	200063000002	1
37	Top Cover	01269400013P	1
38	Front Grill Sub-assay	26909400066	4

**GUD140ZD/A-T**(Product Code: ED020N1700),

**GUD160ZD/A-T**(Product Code: ED020N1710)



No.	Material name	Finished Product Code	Remarks
1	Remote Controller	305001060024	1
2	Ambient Temperature Sensor	3900012123	1
3	Tube Sensor	3900020720G	1
4	Right Cover Plate	26909400071	1
5	Right Side Plate	26909400074	1
6	Installation Supporting Frame(right)	01809402	1
7	Axial Bush	10542704	2
8	Evaporator Assay	011001060183	1
9	Rotating Shaft 3	26909430	6
10	Guide Louver	200004500426	2
11	Crankshaft	200023000001	2
12	Stepping Motor	1521240206	2
13	Display Board	30294000009	1
14	Base Plate Assay	011007060032	1
15	Clapboard Sub-Assay	01249400019	1
16	Left Cover Plate	26909400070	1
17	Installation Supporting Frame(Left)	01809401	1
18	Main Board	300002060226	1
19	Terminal Board	42018000551	1
20	Terminal Board	42000100000202	1
21	Electric Box Assay	100002003030	1
22	Support Of Motor Bearing	01792408	2
23	O-Gasket of Bearing	76512404	1
24	Propeller Housing(Lower)	200230000001	4
25	Roller Wheel	700004000001	2
26	Joint Slack	73018731	2
27	Brushless DC Motor	15709400005	1
28	Centrifugal Fan	103003000001	4
29	Propeller Housing(Upper)	200230000002	4
30	Rear Side Plate Sub-Assay	017051000006	1
31	Filter Sub-Assay	111001000001	3
32	Drainage Pipe Sub-Assay	05235434	1
33	Swing Lever	10582009	4
34	Air Louver	200007000001	20
35	Supporter(Guide Louver)	26909400076	3
36	Water Tray	200063000002	1
37	Top Cover	01269400013P	1
38	Front Grill Sub-assay	26909400066	4

## Appendices

# 1. Resistance/temperature lists of temperature sensors

## 1.1 Voltage list of 15 kΩ temperature sensors (including ODU and IDU temperature sensors)

Temperature (°C)	Resistance (kΩ)	Voltage (V)	Temperature (°C)	Resistance (kΩ)	Voltage (V)
-20	144	0.311	71	2.523	2.825
-19	138.1	0.323	72	2.439	2.838
-18	128.6	0.345	73	2.358	2.852
-17	121.6	0.362	74	2.28	2.865
-16	115	0.381	75	2.205	2.877
-15	108.7	0.4	76	2.133	2.889
-14	102.9	0.42	77	2.064	2.901
-13	97.4	0.44	78	1.997	2.912
-12	92.22	0.462	79	1.933	2.923
-11	87.35	0.484	80	1.871	2.934
-10	82.75	0.506	81	1.811	2.945
-9	78.43	0.53	82	1.754	2.955
-8	74.35	0.554	83	1.699	2.964
-7	70.5	0.579	84	1.645	2.974
-6	66.88	0.605	85	1.594	2.983
-5	63.46	0.631	86	1.544	2.992
-4	60.23	0.658	87	1.497	3.001
-3	57.18	0.686	88	1.451	3.009
-2	54.31	0.714	89	1.408	3.017
-1	51.59	0.743	90	1.363	3.025
0	49.02	0.773	91	1.322	3.033
1	46.8	0.801	92	1.282	3.04
2	44.31	0.835	93	1.244	3.047
3	42.14	0.866	94	1.207	3.054
4	40.09	0.899	95	1.171	3.061
5	38.15	0.931	96	1.136	3.068
6	36.32	0.965	97	1.103	3.074
7	34.58	0.998	98	1.071	3.08
8	32.94	1.033	99	1.039	3.086
9	31.38	1.067	100	1.009	3.092
10	29.9	1.102	101	0.98	3.098

Temperature (°C)	Resistance (kΩ)	Voltage (V)	Temperature (°C)	Resistance (kΩ)	Voltage (V)
11	28.51	1.138	102	0.952	3.103
12	27.18	1.174	103	0.925	3.108
13	25.92	1.21	104	0.898	3.114
14	24.73	1.246	105	0.873	3.119
15	23.6	1.282	106	0.848	3.123
16	22.53	1.319	107	0.825	3.128
17	21.51	1.356	108	0.802	3.133
18	20.54	1.393	109	0.779	3.137
19	19.63	1.429	110	0.758	3.141
20	18.75	1.467	111	0.737	3.145
21	17.93	1.503	112	0.717	3.15
22	17.14	1.54	113	0.697	3.153
23	16.39	1.577	114	0.678	3.157
24	15.68	1.613	115	0.66	3.161
25	15	1.65	116	0.642	3.165
26	14.36	1.686	117	0.625	3.168
27	13.74	1.722	118	0.608	3.171
28	13.16	1.758	119	0.592	3.175
29	12.6	1.793	120	0.577	3.178
30	12.07	1.829	121	0.561	3.181
31	11.57	1.863	122	0.547	3.184
32	11.09	1.897	123	0.532	3.187
33	10.63	1.931	124	0.519	3.19
34	10.2	1.964	125	0.505	3.192
35	9.779	1.998	126	0.492	3.195
36	9.382	2.03	127	0.48	3.198
37	9.003	2.062	128	0.467	3.2
38	8.642	2.094	129	0.456	3.203
39	5.997	2.125	130	0.444	3.205
41	7.653	2.185	131	0.433	3.207
42	7.352	2.215	132	0.422	3.21
43	7.065	2.243	133	0.412	3.212
44	6.791	2.272	134	0.401	3.214
45	6.529	2.299	135	0.391	3.216
46	6.278	2.326	136	0.382	3.218
47	6.038	2.353	137	0.372	3.22
48	5.809	2.379	138	0.363	3.222
49	5.589	2.404	139	0.355	3.224
50	5.379	2.429	140	0.346	3.226
51	5.179	2.453	141	0.338	3.227
52	4.986	2.477	142	0.33	3.229
53	4.802	2.5	143	0.322	3.231
54	4.625	2.522	144	0.314	3.232



Temperature (°C)	Resistance (kΩ)	Voltage (V)	Temperature (°C)	Resistance (kΩ)	Voltage (V)
55	4.456	2.544	145	0.307	3.234
56	4.294	2.566	146	0.299	3.235
57	4.139	2.586	147	0.292	3.237
58	3.99	2.607	148	0.286	3.238
59	3.848	2.626	149	0.279	3.24
60	3.711	2.646	150	0.273	3.241
61	3.579	2.664	151	0.266	3.242
62	3.454	2.682	152	0.261	3.244
63	3.333	2.7	153	0.254	3.245
64	3.217	2.717	154	0.248	3.246
65	3.105	2.734	155	0.243	3.247
66	2.998	2.75	156	0.237	3.249
67	2.898	2.766	157	0.232	3.25
68	2.797	2.781	158	0.227	3.251
69	2.702	2.796	159	0.222	3.252
70	2.611	2.811	160	0.217	3.253

## 1.2 Voltage list of 20 kΩ pipeline temperature sensors (including temperature sensors for defroster, IDU and ODU pipes)

Temperature (°C)	Resistance (kΩ)	Voltage (V)	Temperature (°C)	Resistance (kΩ)	Voltage (V)
-30	361.8	0.173	66	3.998	2.75
-29	339.8	0.183	67	3.861	2.766
-28	319.2	0.195	68	3.729	2.781
-27	300	0.206	69	3.603	2.796
-26	282.2	0.218	70	3.481	2.811
-25	265.5	0.231	71	3.364	2.825
-24	249.9	0.245	72	3.252	2.838
-23	235.3	0.259	73	3.144	2.852
-22	221.6	0.273	74	3.04	2.865
-21	208.9	0.288	75	2.94	2.877
-20	196.9	0.304	76	2.844	2.889
-19	181.4	0.328	77	2.752	2.901
-18	171.4	0.345	78	2.663	2.912
-17	162.1	0.362	79	2.577	2.923
-16	153.3	0.381	80	2.495	2.934
-15	145	0.4	81	2.415	2.944
-14	137.2	0.42	82	2.339	2.954
-13	129.9	0.44	83	2.265	2.964
-12	123	0.462	84	2.194	2.974
-11	116.5	0.484	85	2.125	2.983

Temperature (°C)	Resistance (kΩ)	Voltage (V)	Temperature (°C)	Resistance (kΩ)	Voltage (V)
-10	110.3	0.507	86	2.059	2.992
-9	104.6	0.53	87	1.996	3.001
-8	99.13	0.554	88	1.934	3.009
-7	94	0.579	89	1.875	3.017
-6	89.17	0.605	90	1.818	3.025
-5	84.61	0.631	91	1.763	3.033
-4	80.31	0.658	92	1.71	3.04
-3	76.24	0.686	93	1.658	3.047
-2	72.41	0.714	94	1.609	3.054
-1	68.79	0.743	95	1.561	3.061
0	65.37	0.773	96	1.515	3.068
1	62.13	0.804	97	1.47	3.074
2	59.08	0.835	98	1.427	3.08
3	56.19	0.866	99	1.386	3.086
4	53.46	0.898	100	1.346	3.092
5	50.87	0.931	101	1.307	3.098
6	48.42	0.965	102	1.269	3.103
7	46.11	0.998	103	1.233	3.108
8	43.92	1.033	104	1.198	3.114
9	41.84	1.067	105	1.164	3.119
10	39.87	1.102	106	1.131	3.123
11	38.01	1.138	107	1.099	3.128
12	36.24	1.174	108	1.069	3.133
13	34.57	1.209	109	1.039	3.137
14	32.98	1.246	110	1.01	3.141
15	31.47	1.282	111	0.9825	3.145
16	30.04	1.319	112	0.9556	3.15
17	28.68	1.356	113	0.9295	3.153
18	27.39	1.393	114	0.9043	3.157
19	26.17	1.429	115	0.8799	3.161
20	25.01	1.466	116	0.8562	3.165
21	23.9	1.503	117	0.8333	3.168
22	22.85	1.54	118	0.8111	3.171
23	21.85	1.577	119	0.7895	3.175
24	20.9	1.614	120	0.7687	3.178
25	20	1.65	121	0.7485	3.181
26	19.14	1.686	122	0.7289	3.184
27	18.32	1.722	123	0.7099	3.187
28	17.55	1.758	124	0.6915	3.19
29	16.8	1.793	125	0.6736	3.192
30	16.1	1.828	126	0.6563	3.195
31	15.43	1.863	127	0.6395	3.198
32	14.79	1.897	128	0.6232	3.2

Temperature (°C)	Resistance (kΩ)	Voltage (V)	Temperature (°C)	Resistance (kΩ)	Voltage (V)
33	14.18	1.931	129	0.6074	3.203
34	13.59	1.965	130	0.5921	3.205
35	13.04	1.998	131	0.5772	3.207
36	12.51	2.03	132	0.5627	3.21
37	12	2.063	133	0.5487	3.212
38	11.52	2.094	134	0.5351	3.214
39	11.06	2.125	135	0.5219	3.216
40	10.62	2.155	136	0.509	3.218
41	10.2	2.185	137	0.4966	3.22
42	9.803	2.215	138	0.4845	3.222
43	9.42	2.243	139	0.4727	3.224
44	9.054	2.272	140	0.4613	3.226
45	8.705	2.299	141	0.4502	3.227
46	8.37	2.326	142	0.4394	3.229
47	8.051	2.353	143	0.4289	3.231
48	7.745	2.379	144	0.4187	3.232
49	7.453	2.404	145	0.4088	3.234
50	7.173	2.429	146	0.3992	3.235
51	6.905	2.453	147	0.3899	3.237
52	6.648	2.477	148	0.3808	3.238
53	6.403	2.5	149	0.3719	3.24
54	6.167	2.522	150	0.3633	3.241
55	5.942	2.544	151	0.3549	3.242
56	5.726	2.565	152	0.3468	3.244
57	5.519	2.586	153	0.3389	3.245
58	5.32	2.607	154	0.3312	3.246
59	5.13	2.626	155	0.3237	3.247
60	4.948	2.646	156	0.3164	3.249
61	4.773	2.664	157	0.3093	3.25
62	4.605	2.682	158	0.3024	3.251
63	4.443	2.7	159	0.2956	3.252
64	4.289	2.717	160	0.2891	3.253
65	4.14	2.734			

### 1.3 Voltage list of 50 kΩ discharge temperature sensors (including discharge air temperature sensor)

Temperature (°C)	Resistance (kΩ)	Voltage (V)	Temperature (°C)	Resistance (kΩ)	Voltage (V)
-30	911.56	0.036	61	11.736	1.518
-29	853.66	0.038	62	11.322	1.548
-28	799.98	0.041	63	10.925	1.577
-27	750.18	0.043	64	10.544	1.606
-26	703.92	0.046	65	10.178	1.635
-25	660.93	0.049	66	9.8269	1.664
-24	620.94	0.052	67	9.4896	1.693
-23	583.72	0.056	68	9.1655	1.722
-22	549.04	0.059	69	8.9542	1.741
-21	516.71	0.063	70	8.5551	1.778
-20	486.55	0.066	71	5.9676	1.806
-19	458.4	0.07	72	7.9913	1.834
-18	432.1	0.075	73	7.7257	1.862
-17	407.51	0.079	74	7.4702	1.889
-16	384.51	0.084	75	7.2245	1.916
-15	362.99	0.088	76	6.9882	1.943
-14	342.83	0.094	77	6.7608	1.969
-13	323.94	0.099	78	6.542	1.995
-12	306.23	0.104	79	6.3315	2.021
-11	289.61	0.11	80	6.1288	2.046
-10	274.02	0.116	81	5.9336	2.071
-9	259.37	0.123	82	5.7457	2.096
-8	245.61	0.129	83	5.5647	2.12
-7	232.67	0.136	84	5.3903	2.144
-6	220.5	0.143	85	5.2223	2.168
-5	209.05	0.151	86	5.0605	2.191
-4	195.97	0.158	87	4.9044	2.214
-3	188.12	0.167	88	4.7541	2.237
-2	178.65	0.175	89	4.6091	2.259
-1	169.68	0.184	90	4.4693	2.281
0	161.02	0.193	91	4.3345	2.302
1	153	0.202	92	4.2044	2.323
2	145.42	0.212	93	4.0789	2.344
3	135.96	0.223	94	3.9579	2.364
4	131.5	0.233	95	3.841	2.384
5	126.17	0.242	96	3.7283	2.404
6	119.08	0.256	97	3.6194	2.423
7	113.37	0.267	98	3.5143	2.442

Temperature (°C)	Resistance (kΩ)	Voltage (V)	Temperature (°C)	Resistance (kΩ)	Voltage (V)
8	107.96	0.28	99	3.4128	2.46
9	102.85	0.292	100	3.3147	2.478
10	98.006	0.306	101	3.22	2.496
11	93.42	0.319	102	3.1285	2.514
12	89.075	0.333	103	3.0401	2.531
13	84.956	0.348	104	2.9547	2.547
14	81.052	0.362	105	2.8721	2.564
15	77.349	0.378	106	2.7922	2.58
16	73.896	0.393	107	2.715	2.595
17	70.503	0.41	108	2.6404	2.611
18	67.338	0.427	109	2.5682	2.626
19	64.333	0.444	110	2.4983	2.64
20	61.478	0.462	111	2.4308	2.655
21	58.766	0.48	112	2.3654	2.669
22	56.189	0.499	113	2.3021	2.682
23	53.738	0.518	114	2.2409	2.696
24	51.408	0.537	115	2.1816	2.709
25	49.191	0.558	116	2.1242	2.722
26	47.082	0.578	117	2.0686	2.734
27	45.074	0.599	118	2.0148	2.747
28	43.163	0.621	119	1.9626	2.759
29	41.313	0.643	120	1.9123	2.77
30	39.61	0.665	121	1.8652	2.781
31	37.958	0.688	122	1.8158	2.793
32	36.384	0.711	123	1.7698	2.804
33	34.883	0.735	124	1.7253	2.814
34	33.453	0.759	125	1.6821	2.825
35	32.088	0.784	126	1.6402	2.835
36	30.787	0.809	127	1.5996	2.845
37	29.544	0.835	128	1.5602	2.855
38	28.359	0.86	129	1.522	2.864
39	27.227	0.886	130	1.485	2.873
40	26.147	0.913	131	1.449	2.882
41	25.114	0.94	132	1.4141	2.891
42	24.128	0.967	133	1.3803	2.9
43	23.186	0.994	134	1.3474	2.908
44	22.286	1.022	135	1.3155	2.916
45	21.425	1.05	136	1.2846	2.924
46	20.601	1.078	137	1.2545	2.932
47	19.814	1.107	138	1.2233	2.94
48	19.061	1.136	139	1.1969	2.947
49	18.34	1.164	140	1.1694	2.955
50	17.651	1.193	141	1.1476	2.96

Temperature (°C)	Resistance (kΩ)	Voltage (V)	Temperature (°C)	Resistance (kΩ)	Voltage (V)
51	16.99	1.223	142	1.1166	2.969
52	16.358	1.252	143	1.0913	2.975
53	15.753	1.281	144	1.0667	2.982
54	15.173	1.311	145	1.0429	2.988
55	14.618	1.34	146	1.0197	2.995
56	14.085	1.37	147	0.9971	3.001
57	13.575	1.4	148	0.9752	3.007
58	13.086	1.429	149	0.9538	3.013
59	12.617	1.459	150	0.9331	3.018
60	12.368	1.475			

## 2. Temperature/Pressure List of Refrigerant

R32							
Pressure	Temperature		Pressure	Temperature		Pressure	Temperature
Kpa	°C		Kpa	°C		Kpa	°C
100	-51.909		1250	14.153		2400	38.688
150	-43.635		1300	15.52		2450	39.529
200	-37.323		1350	16.847		2500	40.358
250	-32.15		1400	18.138		2550	41.173
300	-27.731		1450	19.395		2600	41.977
350	-23.85		1500	20.619		2650	42.769
400	-20.378		1550	21.813		2700	43.55
450	-17.225		1600	22.978		2750	44.32
500	-14.331		1650	24.116		2800	45.079
550	-11.65		1700	25.229		2850	45.828
600	-9.1503		1750	26.317		2900	46.567
650	-6.8046		1800	27.382		2950	47.296
700	-4.5925		1850	28.425		3000	48.015
750	-2.4975		1900	29.447		3050	48.726
800	-0.50613		1950	30.448		3100	49.428
850	1.393		2000	31.431		3150	50.121
900	3.2092		2050	32.395		3200	50.806
950	4.9506		2100	33.341		3250	51.482
1000	6.624		2150	34.271		3300	52.15
1050	8.2352		2200	35.184		3350	52.811
1100	9.7896		2250	36.082		3400	53.464
1150	11.291		2300	36.965		3450	54.11
1200	12.745		2350	37.834		3500	54.748

### 3. Refrigerant Notice/Concentration

This air conditioner uses R32 refrigerant. The construction area for installation, operation and storage of the air conditioner must be larger than the minimum construction area. The minimum area for installation is determined by:

- (1) Refrigerant charging quantity for the entire system (ex-factory charging quantity + additional charging quantity);
- (2) Checking out in the applicable tables:
  - 1) For indoor unit, confirm the model of indoor unit and check the corresponding table.
  - 2) For outdoor unit that is installed or placed indoors, select the corresponding table according to the height of the room

Height of the room	Select the applicable table
< 1.8m	Floor standing type
≥1.8m	Wall mounted type

- (3) Refer to the following table to check out the minimum construction area

Ceiling type		Wall mounted type		Floor standing type	
Weight ( kg )	Area( m <sup>2</sup> )	Weight ( kg )	Area ( m <sup>2</sup> )	Weight ( kg )	Area ( m <sup>2</sup> )
< 1.224	—	< 1.224	—	< 1.224	—
1.224	0.956	1.224	1.43	1.224	12.9
1.4	1.25	1.4	1.87	1.4	16.8
1.6	1.63	1.6	2.44	1.6	22.0
1.8	2.07	1.8	3.09	1.8	27.8
2.0	2.55	2.0	3.81	2.0	34.3
2.2	3.09	2.2	4.61	2.2	41.5
2.4	3.68	2.4	5.49	2.4	49.4
2.6	4.31	2.6	6.44	2.6	58.0
2.8	5.00	2.8	7.47	2.8	67.3
3.0	5.74	3.0	8.58	3.0	77.2
3.2	6.54	3.2	9.76	3.2	87.9
3.4	7.38	3.4	11.0	3.4	99.2
3.6	8.27	3.6	12.4	3.6	111
3.8	9.22	3.8	13.8	3.8	124
4.0	10.2	4.0	15.3	4.0	137
4.2	11.3	4.2	16.8	4.2	151
4.4	12.4	4.4	18.5	4.4	166
4.6	13.5	4.6	20.2	4.6	182
4.8	14.7	4.8	22.0	4.8	198
5.0	16.0	5.0	23.8	5.0	215
5.2	17.3	5.2	25.8	5.2	232
5.4	18.6	5.4	27.8	5.4	250
5.6	20.0	5.6	29.9	5.6	269
5.8	21.5	5.8	32.1	5.8	289
6.0	23.0	6.0	34.3	6.0	309
6.2	24.5	6.2	36.6	6.2	330
6.4	26.1	6.4	39.1	6.4	351
6.6	27.8	6.6	41.5	6.6	374
6.8	29.5	6.8	44.1	6.8	397

7.0	31.3		7.0	46.7		7.0	420
7.2	33.1		7.2	49.4		7.2	445
7.4	34.9		7.4	52.2		7.4	470
7.6	36.9		7.6	55.1		7.6	496
7.8	38.8		7.8	58.0		7.8	522
8.0	10.8		8.0	61.0		8.0	549

## 4. Operation Tools

The following tools will be used: 1) Liquid-level gauge; 2) Screwdriver; 3) Electric driven rotary hammer; 4) Drill; 5) Pipe expander; 6) Torque wrench; 7) Open-end wrench; 8) Pipe cutter; 9) Leak detector; 10) Vacuum pump; 11) Pressure gauge; 12) Universal meter; 13) Hexagon wrench; 14) Tapeline.





GREE ELECTRIC APPLIANCES, INC. OF ZHUHAI 519070

---

Add: West Jinji Rd, Qianshan Zhuhai, Guangdong, China

Tel: (+86-756)8522218

Fax: (+86-756)8669426

E-mail: [gree@gree.com.cn](mailto:gree@gree.com.cn) [www.gree.com](http://www.gree.com)

JF00303775